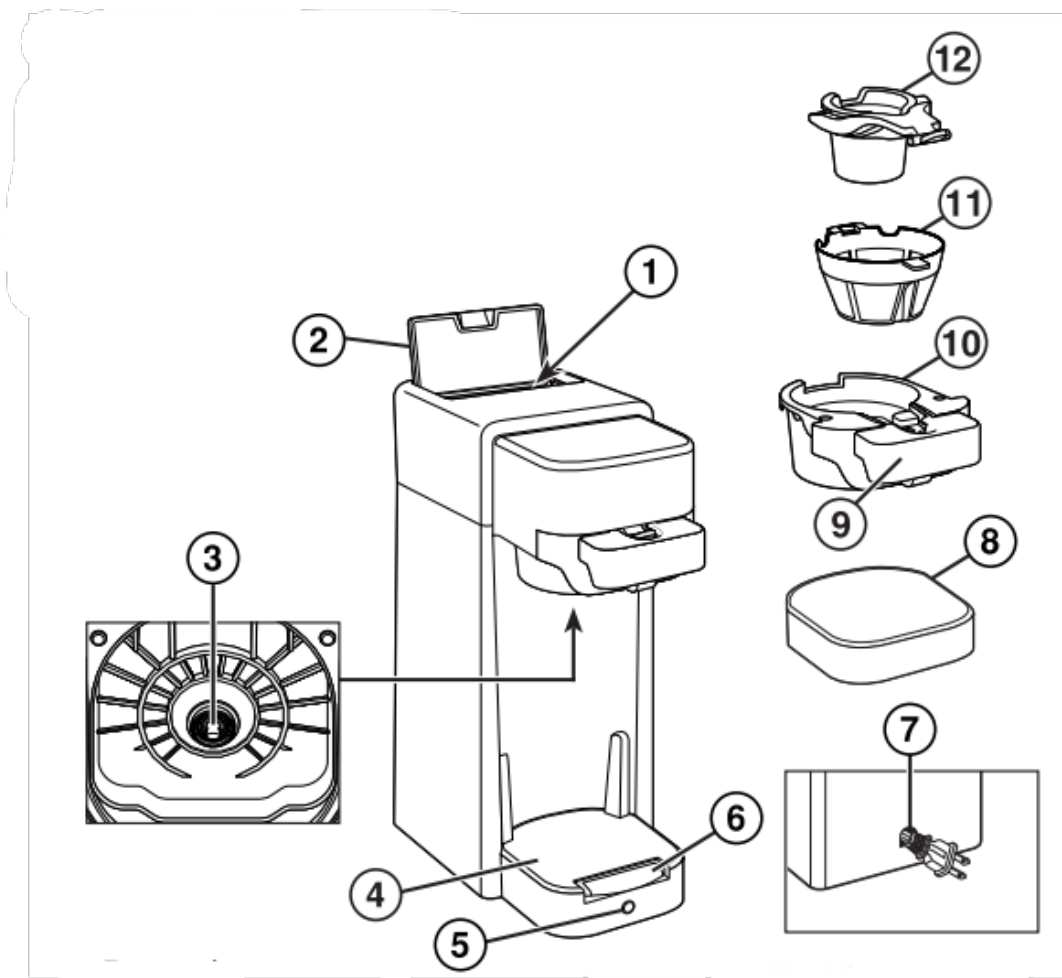


Parts and Features



1. Reservoir
2. Lid
3. Piercing Nozzle
4. Cup Rest
5. Brew Light
6. BREW Button
7. Cord Storage
8. Removable Cup Rest*
9. Brew Basket Handle and Lock
10. Brew Basket*
11. Removable Holder for Ground Coffee* (fits into brew basket for brewing)
12. Removable Single-Serve Pack Holder* (punches hole on bottom of pack)

How to Brew a Single-Serve Pack

CAUTION: Cut Hazard. Removable single-serve pack holder has a sharp blade. Use caution when handling.

NOTE: It can take up to 2 minutes before brewed coffee starts dispensing into your cup. Total brew time average is 4 minutes. For best results, allow the coffee maker to cool for at least 2 minutes between brewing cycles.

WARNING: Burn Hazard. To avoid contact with hot coffee or water:

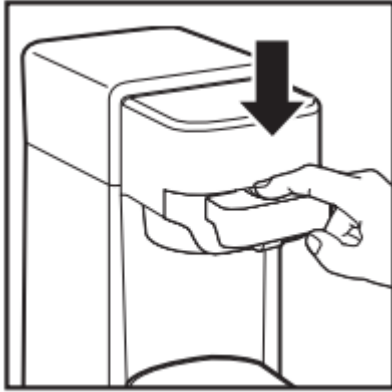
- Do not fill water above MAX fill line (14 ounces [414 ml]).
 - Fill reservoir with cup of water into which the coffee will be brewed.
 - Fully insert cup under brew basket.
 - For best results, use K-Cup®* packs.
1. Plug into outlet and slide out the brew basket.
 2. Place a pack into the single-serve pack holder.
 3. Press down on the edge of the pack until the pack snaps into place and hole is punched in the bottom. Do not remove foil.
 4. Slide brew basket back into unit.



***K-Cup is a registered trademark of Keurig, Inc. Use of the K-Cup trademark does not imply any affiliation with or endorsement by Keurig, Inc.**

5. Press down on brew basket handle to lock and puncture the foil lid on the pack.
6. Fill reservoir with cup of water into which the coffee will be brewed.
7. Close the water reservoir lid.
8. Adjust cup rest.

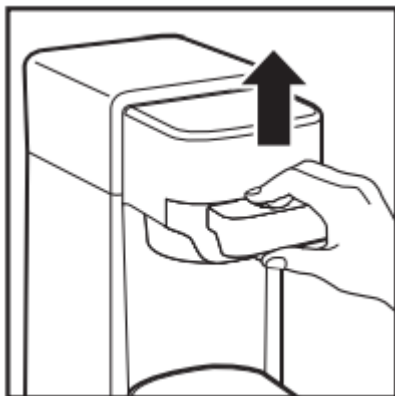
9. Fully insert cup under brew basket.



10. Press down the BREW Button. The power indicator light will light up to show the coffee maker is on. Once the BREW button has been depressed, the unit will brew for one cycle. If the BREW button has been pressed with no water in the reservoir, wait until the brew light turns off before adding water to the reservoir. If the brew cycle needs to be stopped during brewing, unplug the unit. Brew light will stay on until cycle is complete even if unplugged.

11. Coffee maker will shut off automatically and light will go off when brew cycle is completed. Unplug the unit.

12. Pull up on brew basket handle to unlock and remove.



NOTES:

- Allow 2 minutes to cool in between brews.
- Brew basket and single-serve pack holder should be rinsed after every use.
- Add only water to reservoir.

How to Brew Ground Coffee

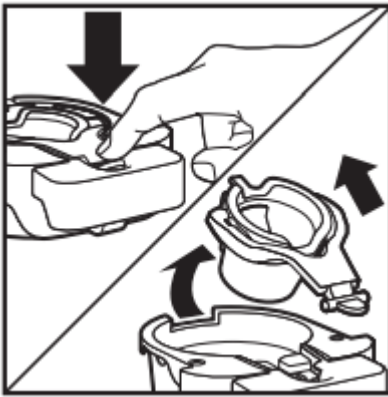
NOTE: It can take up to 2 minutes before brewed coffee starts dispensing into your cup. Total brew time average is 4 minutes. For best results, allow the coffee maker to cool for at least 2 minutes between brewing cycles.

WARNING: Burn Hazard. To avoid contact with hot coffee or water:

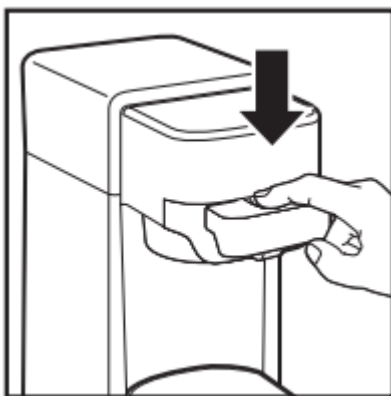
- Do not fill water above MAX fill line (14 ounces [414 ml]).
- Fill reservoir with the cup of water into which the coffee will be brewed.
- Fully insert cup under brew basket.
- Remove single-serve pack holder before adding coffee grounds to brew basket.
- To avoid overflow, keep ground coffee below MAX fill line.

1. Plug into outlet and slide out the brew basket.
2. To remove single-serve pack holder, press down on the single-serve pack holder tab; then lift out.

CAUTION: Cut Hazard. Removable single-serve pack holder has a sharp blade. Use caution when handling.

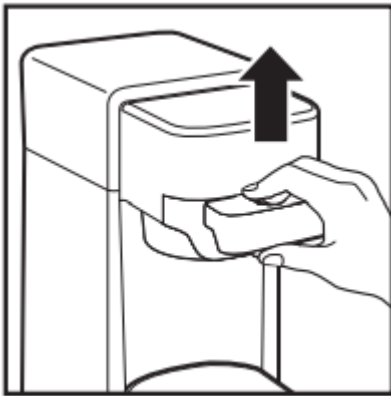


3. Place removable holder in brew basket and add ground coffee. (3 tablespoons [44 ml] is the MAX amount of any type of grounds.)
4. Slide brew basket back into unit and push down on brew basket handle to lock.



5. Fill reservoir with cup of water into which the coffee will be brewed.
6. Close the water reservoir lid.
7. Adjust cup rest.
8. Fully insert cup under brew basket.

9. Press down the BREW Button. The power indicator light will light up to show the coffee maker is on. Once the BREW button has been depressed, the unit will brew for one cycle. If the BREW button has been pressed with no water in the reservoir, wait until the brew light turns off before adding water to the reservoir. If the brew cycle needs to be stopped during brewing, unplug the unit. Brew light will stay on until cycle is complete even if unplugged.
10. Coffee maker will shut off automatically and light will go off when brew cycle is completed. Unplug the unit.
11. Pull up on brew basket handle to unlock and remove



NOTES:

- If finer ground coffee is used, coffee will continue to drip after the light has gone off.
- Allow 2 minutes to cool in between brews.
- Brew basket and removable holder for ground coffee should be rinsed after every use.

Care and Cleaning

WARNING: Electrical Shock Hazard. Do not immerse cord, plug, or coffee maker in any liquid.

NOTE: All coffee makers should be cleaned at least once a month (once a week for areas with hard water).

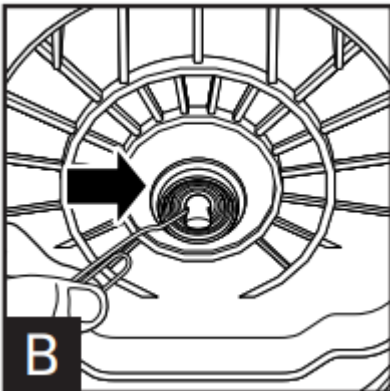
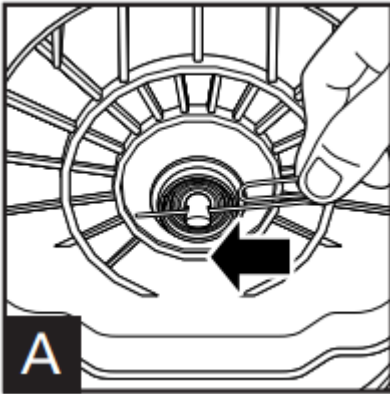
1. Plug into outlet.
2. Pour 1/2 cup (118 ml) of plain white vinegar and 1/2 cup (118 ml) of cold water into reservoir.
3. Place a cup underneath to catch the water/ vinegar solution.
4. Press the BREW button once. After 30 seconds, unplug unit and allow vinegar to clean. After 30 minutes, plug in unit and allow it to finish the brew cycle. When brew cycle is finished, wait for unit to cool. Empty cup and rinse. Repeat steps 1–4 with 1 cup (237 ml)

of cold tap water.



5. Unplug unit.

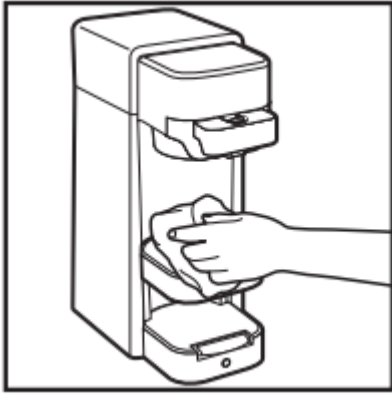
6. Routine Cleaning of the Needle: The needle is located in the lid of the coffee maker. Bend a small paper clip as shown; insert the tip of the paper clip through the hole/eye of the needle (Figure A) and up into the needle (Figure B) to ensure grounds have been removed. Brew 2 or 3 times with cold water to make sure grounds have been removed from the piercing needle.



7. Wipe exterior of unit with a damp, soapy cloth.

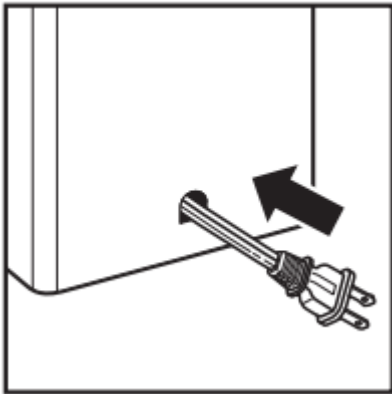
8. The removable single-serve pack holder, brew basket, and removable holder for ground coffee are all dishwasher-safe.

NOTE: DO NOT use the "SANI" setting when washing in the dishwasher. "SANI" cycle temperatures could damage your product.



CAUTION: Cut Hazard. Removable single-serve pack holder has a sharp blade. Use caution when handling.

9. Push cord into the back of the coffee maker for easy storage.



Troubleshooting Tips



PROBLEM	PROBABLE CAUSE/SOLUTION
Coffee tastes bad.	<ul style="list-style-type: none"> • Coffee maker needs cleaning. • Coffee ground too coarsely or too finely. Set coffee grinder to automatic drip grind. • Poor coffee quality and freshness. • Poor water quality (use filtered or bottled water).
Water on counter under unit.	<ul style="list-style-type: none"> • Overfilled water reservoir. Also check cup used to fill reservoir. Some mugs/cups do not pour cleanly and can dribble water down the side of the cup and onto counter.
Coffee maker will not brew.	<ul style="list-style-type: none"> • Make sure you have allowed for the 2 minutes of cool-down time. • If the BREW button has been pressed with no water in the reservoir, wait until the brew light turns off before adding water to the reservoir.
Coffee overflows from brew basket.	<ul style="list-style-type: none"> • Use removable holder for ground coffee. • Use a lesser amount of ground coffee. • When using whole bean coffee, a standard automatic drip coffee grind will yield best results. Be careful not to overgrind, since very finely ground coffee can cause overflow in this unit.
Coffee overflows from mug.	<ul style="list-style-type: none"> • To prevent coffee overflowing from a mug, use the same mug to brew into that was used to fill the water reservoir. Do not add more than 14 ounces (414 ml) of water.
Water remaining in reservoir.	<ul style="list-style-type: none"> • Added too much water. Remove singleserve pack and replace brew basket. Repeat brewing cycle.
Noise or steam at the end of brew cycle.	<ul style="list-style-type: none"> • Reduce amount of water in reservoir. • Brew a different type of single-serve pack.



Coffee not dispensing	<ul style="list-style-type: none"> • Piercing nozzle is clogged with coffee grounds. Turn unit off; unplug. Allow unit to cool completely. To remove any built-up coffee grounds, insert end of bent paper clip into eye of piercing nozzle.
Water reservoir fills too slowly.	<ul style="list-style-type: none"> • Unit hasn't cooled down. Allow 2 minutes between brewing cycles. <ul style="list-style-type: none"> ◦ Try filling water reservoir before pushing down brew basket handle to pierce single-serve pack. Start brewing cycle.
Failed foil seal.	<ul style="list-style-type: none"> • There is variability in the single-serve pack manufacturing process which causes some types of single-serve packs to be weaker at the seams. Let cool 2 minutes between brewing, use less water, or try a different brand.
Short brew cycle.	<ul style="list-style-type: none"> • Single-serve pack is difficult to brew due to the coffee and its processing. • Try a different brand of single-serve pack.

Important Safeguards

When using electrical appliances, basic safety precautions should always be followed to reduce the risk of fire, electric shock, and/or injury to persons, including the following:

1. Read all instructions.
2. This appliance is not intended for use by persons (including children) with reduced physical, sensory, or mental capabilities, or lack of experience and knowledge, unless they are closely supervised and instructed concerning use of the appliance by a person responsible for their safety.
3. Close supervision is necessary when any appliance is used by or near children. Children should be supervised to ensure that they do not play with the appliance.
4. Do not touch hot surfaces. Use handles or knobs. Care must be taken, as burns can occur from touching hot parts or from spilled, hot liquid.
5. To protect against electric shock, do not place cord, plug, or coffee maker in water or other liquid

6. Unplug from outlet when the coffee maker is not in use and before cleaning. Allow to cool before putting on or taking off parts and before cleaning the appliance.
7. Coffee maker must be operated on a flat surface away from the edge of counter to prevent accidental tipping.
8. Do not operate any appliance with a damaged supply cord or plug, or after the appliance malfunctions or has been dropped or damaged in any manner. Supply cord replacement and repairs must be conducted by the manufacturer, its service agent, or similarly qualified persons in order to avoid a hazard. Call the provided customer service number for information on examination, repair, or adjustment.
9. The use of accessory attachments not recommended by the appliance manufacturer may cause injuries.
10. Do not use outdoors.
11. Do not let cord hang over edge of table or counter or touch hot surfaces, including stove.
12. Do not place on or near a hot gas or electric burner, or in a heated oven.
13. Do not use appliance for other than intended use. 14. **WARNING!** To reduce the risk of fire or electric shock, do not remove the bottom cover of the coffee maker. There are no userserviceable parts inside. Repair should be done by authorized service personnel only.
14. **CAUTION! Cut Hazard:** Removable single-serve pack holder contains a sharp blade. Use caution when handling.
15. **CAUTION! Cut Hazard:** Piercing nozzle is sharp. Use caution when cleaning

Warning

This content is compiled from multiple sources and is provided for reference purposes only. It may not be complete or fully applicable to all situations. If you are unable to resolve your issue, please contact the product manufacturer or an authorized service provider for official support.