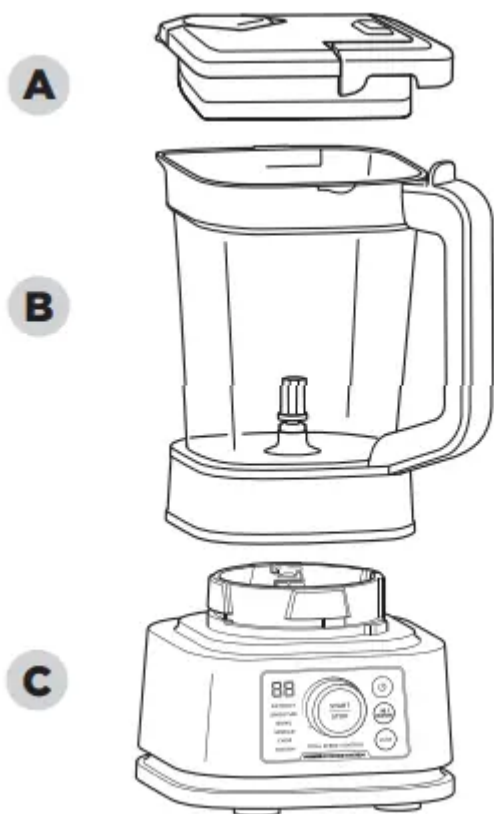


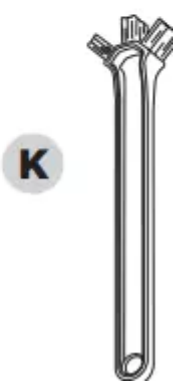
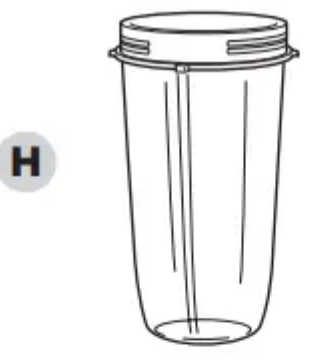
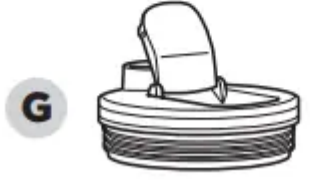
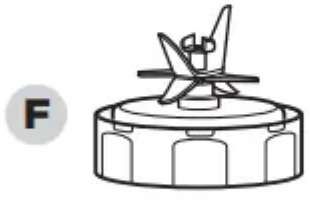
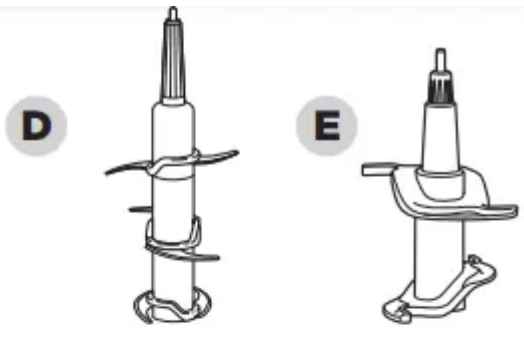
## PARTS

There are a variety of accessories that are compatible with this blender series.

**NOTE:** The top flap of your box shows the select accessories that are included with your model.

### PARTS





A Power Pitcher Lid



**B** 72 oz.\* Power Pitcher

**C** Motor Base attached power cord not shown)

**D** Total Crushing® & Chopping Blade Assembly (Stacked Blade Assembly)

**E** Dough Blade Assembly

**F** Hybrid Edge™ Blades Assembly

**G** Spout Lid

**H** 24 oz. Power Nutri™ Cup

**I** Storage Lid

**J** 14 oz. Power Nutri Bowl with Power Paddle

**K** Cleaning Brush

\*64 oz. max liquid capacity.

**NOTE:** The Hybrid Edge Blades Assembly is not compatible with other Ninja products.

**NOTE:** Number of cups, bowls and lids vary by model.

## BEFORE FIRST USE

**IMPORTANT:** Review all warnings on pages 4–7 before proceeding.

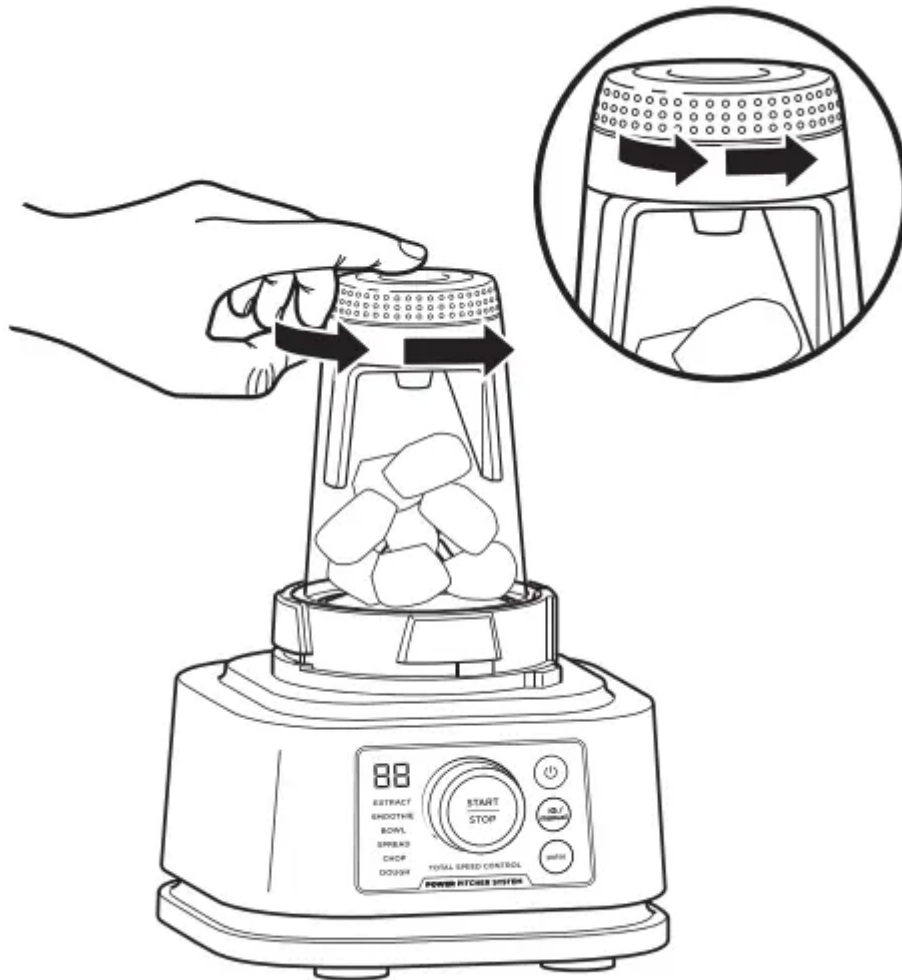
### DID YOU KNOW?

- You can take your drinks on the go using the spout lid.

**NOTE:** All attachments are BPA free and dishwasher safe. Ensure blade assemblies and lids are removed from the containers before placing in the dishwasher. Exercise care when handling blade assemblies.

1. Remove all packaging materials from the E unit. Exercise care when unpacking blade assemblies, as the blades are sharp.
2. The Stacked Blade Assembly is NOT locked in place in the container. Handle the Stacked Blade Assembly and Dough Blade Assembly by grasping the top of the shaft.
3. Handle the Hybrid Edge™ Blades Assembly by grasping around the perimeter of the blade assembly base.
4. Wash containers, lids, and blade assemblies in warm, soapy, water using a dishwashing utensil with a handle to avoid direct contact with the blades. Exercise care when handling blade assemblies, as the blades are sharp.
5. Thoroughly rinse and air-dry all parts.

## GETTING TO KNOW THE POWER NUTRI™ BOWL



Powering through tough and frozen ingredients used to require a lot of stopping, scraping, and recipe tinkering.

But now, it's easier than ever to create thick and spoonable smoothie bowls, nut butters, and more.

All you have to do is twist the Power Paddle while blending to push ingredients down toward the blade. It's like having a built-in tamper.

## USING THE CONTROL PANEL



Use the Power button to turn the unit on or off.

## SWITCHING BETWEEN AUTO-IQ® AND MANUAL MODE:

To toggle between Auto-iQ Mode and Manual Mode, press the IQ/MANUAL button. NOTE: In Manual Mode, Auto-iQ programs will not illuminate on the control panel.

**AUTO-IQ MODE:** 6 unique timed programs customized to take the guesswork out of making great drinks and meals.



**SELECT AND RUN AN AUTO-IQ PROGRAM** -Use the dial to select the desired program, then press START/STOP to begin. As the program runs, the timer will count down. When the countdown ends, blending will stop automatically.

**MANUAL MODE** :Choose from 10 different speeds for total control of your blending in the Power Pitcher.

**NOTE:** Only speed 10 is available when using the Power Nutri Bowl or Cup.



**SELECT AND RUN A MANUAL PROGRAM** Turn the dial from speed 1 to speed 10. Press START/STOP to begin and end blending.

**PULSE:** Offers greater control of pulsing and blending. Operates only when PULSE is pressed. Use short presses for short pulses and long presses for long pulses.

## USING TOTAL SPEED CONTROL & THE POWER PITCHER

**NOTE:** If using the Dough Blade Assembly, only use speeds 1 or 2.

### START SLOW

Always start at a low speed (1–3) to better incorporate ingredients and prevent them from sticking to the side of the vessel.

### DIAL UP THE SPEED

Smoother blends call for higher speeds. Low speeds are great for chopping veggies and mixing dough, but you'll need to ramp up for purees and dressings.

### HIGH-SPEED BLENDING

Blend until you get your desired consistency. The longer you blend, the better the breakdown and smoother the outcome will be. creamy frozen yogurt to refreshing sorbets.

## USING THE AUTO-IQ® PROGRAMS

### AUTO-IQ PROGRAMS

Intelligent preset programs combine unique blending and pausing patterns that do the work for you. Once a preset program is selected, it will start immediately and automatically stop when blending is complete. To stop blending before the end of the program, press the currently active button again.

**NOTE:** The unit can detect if the pitcher or the cup/bowl is installed on the motor base. Only the functions available for a particular container will illuminate on the control panel.



## AUTO-IQ PROGRAMS FOR THE POWER PITCHER

### SMOOTHIE

Combine your favorite fresh or frozen ingredients, liquids, and powders to create smoothies and protein shakes.

### **SPREAD**

Create anything from spreadable nut butters to zesty dressing to the perfect hummus.

### **BOWL**

Make thick, spoonable smoothie bowls to creamy frozen yogurt to refreshing sorbets.

### **CHOP**

Timed pulses and pauses give you consistent chopping results. Run program once for a large chop, twice for a small chop and three times if you prefer to mince.

### **DOUGH**

Used with the Dough Blade Assembly, create delicious dough for pizza, bread, and baked goods like cookies.

## **AUTO-IQ PROGRAMS FOR THE POWER NUTRI™ CUP AND POWER NUTRI BOWL**

### **EXTRACT**

Ideal for tough, leafy, or fibrous whole fruits and vegetables, including their skins, seeds, and stems.

### **SMOOTHIE**

Combine your favorite fresh or frozen ingredients, liquids, and powders to create smoothies and protein shakes.

**NOTE:** For best results when using the Power Nutri Cup, use the Auto-iQ Programs, EXTRACT & SMOOTHIE.

### **SPREAD**

Create anything from spreadable nut butters to zesty dressing to the perfect hummus.

### **BOWL**

Make thick, spoonable single-serve smoothie bowls to creamy frozen yogurt to refreshing sorbets.

**NOTE:** For best results when using the Power Nutri Bowl, use the Auto-iQ Programs, SPREAD & BOWL.

## **USING THE POWER PITCHER & STACKED BLADE ASSEMBLY**

**IMPORTANT:** Review all warnings on pages 4–7 before proceeding.

**IMPORTANT:** As a safety feature, when the unit is powered on, if the pitcher and lid are not properly installed, the timer will display “- -” and the motor will be disabled. If this happens, repeat step 5 on the following page. When the pitcher and lid are properly installed, and the unit is powered on, the program button LEDs will illuminate, indicating the appliance is ready to use.

**NOTE:** Auto-iQ® programs have pauses and changes in speed throughout the cycle.

**NOTE: DO NOT** add ingredients before completing installation of the Stacked Blade Assembly.

**NOTE:** If the Stacked Blade Assembly is not fully seated, you will not be able to install and lock the lid.

**NOTE:** The pitcher lid handle will not fold down unless it is attached to the pitcher.

1. Plug in motor base and place on a clean, dry, level surface such as a countertop or table.



2. Lower the Power Pitcher onto the motor base. The handle should be aligned slightly to the right and the pitcher should be oriented so the LOCK symbols are visible on the

motor base. Rotate the pitcher clockwise until it clicks into place.



3. Exercising care, grasp the Stacked Blade Assembly by the top of the shaft and place it onto the drive gear inside the pitcher. Note that the blade assembly will fit loosely onto the drive gear.
4. Add ingredients to the pitcher. DO NOT add ingredients past the MAX LIQUID line on the pitcher.



5. Place the lid on the pitcher. Press down on the handle until it clicks into place. Once the lid is locked in place, press the Power button to turn unit on. The available program buttons will illuminate and the unit will be ready for use.

6.

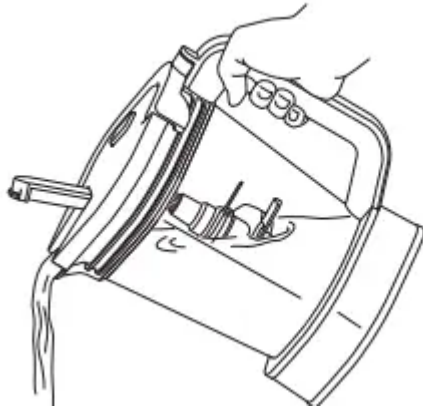


- 6a If using an Auto-iQ® program, use the dial to select the program that best suits your desired output, then press START/STOP. The preset feature will automatically stop at the end of the program. To stop the unit at any time, press START/STOP.
- 6b For Manual mode, press IQ/MANUAL. Use the dial to select your desired speed, ranging from 1 to 10, and press START/STOP. Once the ingredients have reached your desired consistency, press START/STOP, and wait for the unit to come to a complete stop.

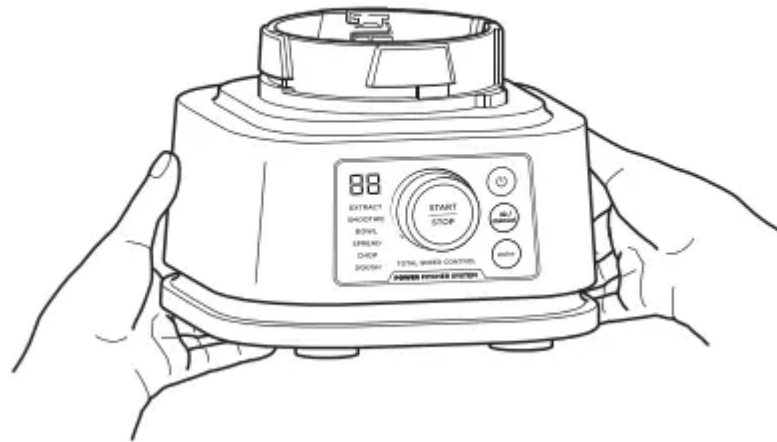


7. Remove the pitcher from the motor base by turning it counterclockwise and then lifting up.

8.



- 8a. To pour out thinner mixtures, ensure the lid is locked in place, then open the pour spout cap.
- 8b. For thicker mixtures that cannot be emptied through the pour spout, remove the lid and Stacked Blade Assembly before pouring. To remove the lid, press the RELEASE button and lift the handle. To remove the blade assembly, carefully grasp it by the top of the shaft and pull straight up. The pitcher can then be emptied.



9. Turn the unit off by pressing the Power button. Unplug the unit when finished. Refer to the Care & Maintenance section for cleaning and storage instructions.

## USING THE POWER PITCHER & DOUGH BLADE ASSEMBLY

**IMPORTANT:** Review all warnings on pages 4–7 before proceeding.

**IMPORTANT:** As a safety feature, when the unit is powered on, if the pitcher and lid are not properly installed, the timer will display “- -” and the motor will be disabled. If this happens, repeat step 5 on the following page. When the pitcher and lid are properly installed, and the unit is powered on, the program button LEDs will illuminate, indicating the appliance is ready to use.

**NOTE:** Auto-iQ® programs have pauses and changes in speed throughout the cycle.

**NOTE:** DO NOT add ingredients before completing installation of the Dough Blade Assembly.

**NOTE:** If the Dough Blade Assembly is not fully seated, you will not be able to install and lock the lid.

**NOTE:** The pitcher lid handle will not fold down unless it is attached to the pitcher.

1 Plug in motor base and place on a clean, dry, level surface such as a countertop or table.



2 Lower the Power Pitcher onto the motor base. The handle should be aligned slightly to the right and the pitcher should be oriented so the **LOCK** symbols are visible on the motor base. Rotate the pitcher clockwise until it clicks into place.



3 Exercising care, grasp the Dough Blade Assembly by the top of the shaft and place it onto the drive gear inside the pitcher. Note that the blade assembly will fit loosely onto the drive gear



**4** Add ingredients to the pitcher **DO NOT** add ingredients past the **DOUGH MAX** or **COOKIE MAX** line on the pitcher



**5** Place the lid on the pitcher Press down on the handle until it clicks into place. Once the lid is locked in place, press the Power button to turn unit on. The available program buttons will illuminate and the unit will be ready for use.



**6a** If using an Auto-iQ® program, use the dial to select DOUGH, then press START/STOP. The preset feature will automatically stop at the end of the program. To stop the unit at any time, press START/STOP.

**6b** For Manual mode, press IQ/MANUAL. Use the dial to select speeds 1 or 2, and press START/STOP. Once the ingredients have reached your desired consistency, press START/STOP, and wait for the unit to come to a complete stop.

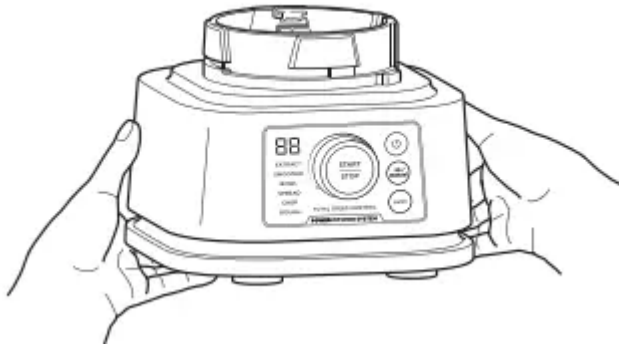
**IMPORTANT:** Only use speeds 1 or 2 when using the Dough Blade Assembly.



**7** Remove the pitcher from the motor base by turning it counterclockwise and then lifting up.



**8** Remove the lid and Dough Blade Assembly before removing contents. To remove the lid, press the **RELEASE** button and lift the handle. To remove the blade assembly, carefully grasp it by the top of the shaft and pull straight up. The pitcher can then be emptied.



9 Turn the unit off by pressing the Power button. Unplug the unit when finished. Refer to the Care & Maintenance section for cleaning and storage instructions.

## USING THE POWER NUTRI™ BOWL

**IMPORTANT:** Review all warnings on pages 4-7 before proceeding.

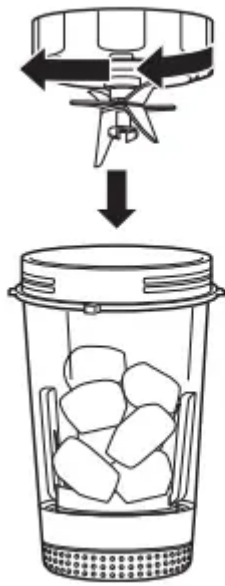
**NOTE:** If the unit is plugged in and powered on, but the bowl and blade assembly is not properly installed, the timer will display -and the motor will be disabled.

**NOTE:** Auto-iQ® programs have pauses and changes in speed throughout the cycle.

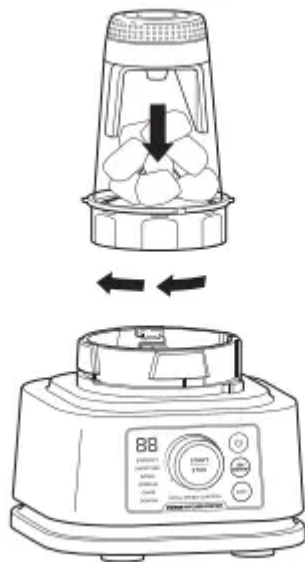
1 Plug in motor base and place on a clean, dry, level surface such as a countertop or table.



2 Add ingredients to the Power Nutri Bowl. **DO NOT** add liquid past the **LIQUID FILL** line or ingredients past the **MAX FILL** line.



**3** Place the Hybrid Edge™ Blades Assembly on the top of the bowl and turn clockwise to seal.



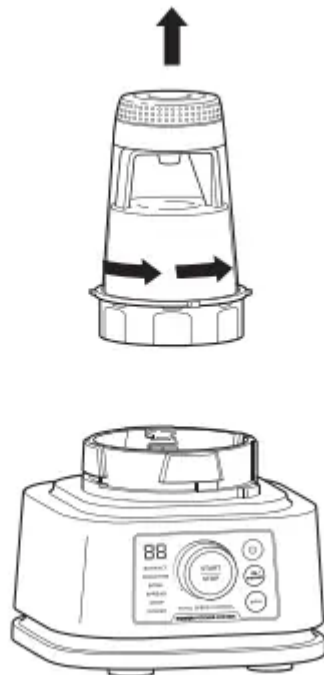
**4** Turn the bowl upside down and install on motor base by aligning the tabs on the bowl with the slots on the base. Then, rotate bowl clockwise until it clicks. Once locked in place, press the Power button to turn unit on. The available program buttons will illuminate and the unit will be ready for use.



**5a** If using an Auto-iQ program, use the dial select the program that best suits your desired output, then press START/STOP. During the blending process, ensure to twist the Power Paddle **counterclockwise** continuously. The preset feature will automatically stop at the end of the program. To stop the unit at any time, press START/STOP.

**5b** For Manual mode, press IQ/MANUAL. With speed 10 on the display, press START/STOP. During the blending process, twist the Power Paddle **counterclockwise** continuously. Once the ingredients have reached your desired consistency, press START/STOP and wait for the unit to come to a complete stop.

**NOTE:** Only speed 10 is available when using the Power Nutri Bowl.



**6** Remove the bowl from the motor base by turning it counterclockwise and then lifting up.



**7** Remove the blade assembly by twisting counterclockwise. **DO NOT** store blended contents with the blade assembly attached. Only use the Spout Lid or Storage Lid to cover. Exercise care when handling the blade assembly, as the blades are sharp.



**8** To enjoy on the go, place the Spout Lid or Storage Lid onto the bowl and twist lid clockwise until firmly sealed.



9 Turn the unit off by pressing the Power button. Unplug the unit when finished. Refer to the Care & Maintenance section for cleaning and storage instructions.

## USING THE POWER NUTRI™ CUP

**IMPORTANT:** Review all warnings on pages 4-7 before proceeding.

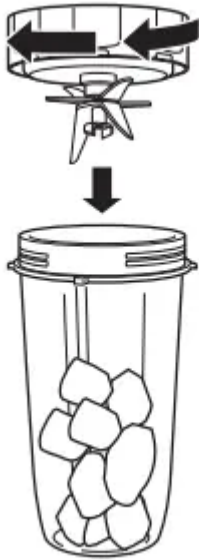
**NOTE:** If the unit is plugged in and powered on, but the cup and blade assembly is not properly installed, the timer will display and the motor will be disabled.

**NOTE:** Auto-iQ® programs have pauses and changes in speed throughout the cycle.

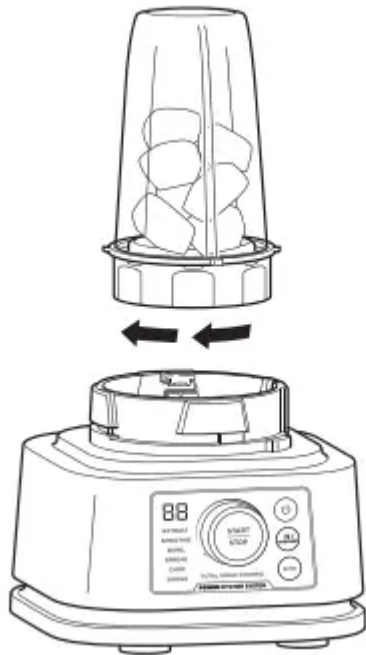
1 Plug in motor base and place on a clean, dry, level surface such as a countertop or table.



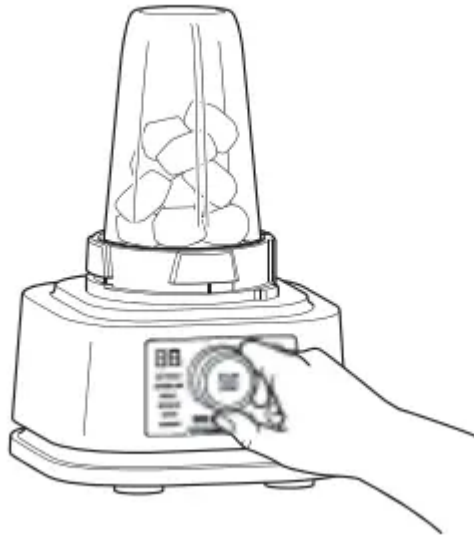
2 Add liquid then ingredients to the Power Nutri Cup. **DO NOT** add ingredients past the **MAX LIQUID** line



**3** Place the Hybrid Edge™ Blades Assembly on the top of the cup and turn clockwise to seal.



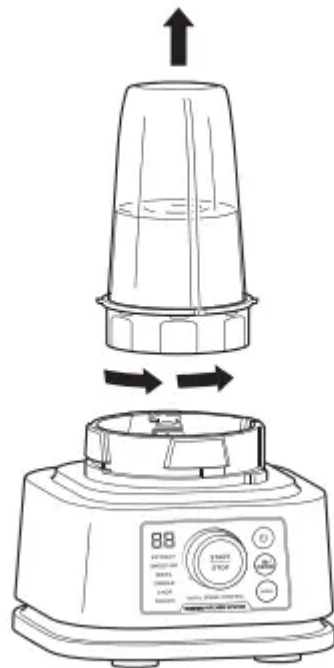
**4** Turn the cup upside down and install on the motor base by aligning the tab on the cup with the slots on the base. Then, rotate cup clockwise until it clicks. Once locked in place, press the Power button to turn unit on. The available program buttons will illuminate and the unit will be ready for use.



**5a** If using an Auto-iQ program, use the dial to select the program that best suits your desired output, then press START/STOP. The preset feature will automatically stop at the end of the program. To stop the unit at any time, press START/STOP.

**5b** For Manual mode, press IQ/MANUAL. With speed 10 on the display, press START/STOP. Once the ingredients have reached your desired consistency, press START/STOP and wait for the unit to come to a complete stop.

**NOTE:** Only speed 10 is available when using the Power Nutri Cup .



**6** Remove the cup from the motor base by turning it counterclockwise and then lifting up.



7 Remove the blade assembly by twisting counterclockwise. **DO NOT** store blended contents with the blade assembly attached. Only use the Spout Lid or Storage Lid to cover. Exercise care when handling the blade assembly, as the blades are sharp.



8 To enjoy on the go, place the Spout Lid or Storage Lid onto the cup and twist lid clockwise until firmly sealed.



9 Turn the unit off by pressing the Power button. Unplug the unit when finished. Refer to the Care & Maintenance section for cleaning and storage instructions.

## CARE & MAINTENANCE

### USING THE BLENDER FOR STUCK-ON INGREDIENTS

**NOTE:** For best results, use a dishwasher to remove stuck-on ingredients.

1 After processing, immediately clean the container and blade assembly under warm, soapy water.

2 Depending on the container, fill with soap and water according to the following instructions:

**Power Pitcher:**

**Power Pitcher:**

1 OR 2 SMALL DROPS OF DISH SOAP



FILL WATER TO  
DOUGH MAX LINE



With the dough or stacked blade assembly installed, fill with warm water up to DOUGH MAX line and add 1 or 2 small drops dish soap. Secure pitcher lid, and ensure the pour spout is securely closed.

**Power Nutri™ Bowl:**

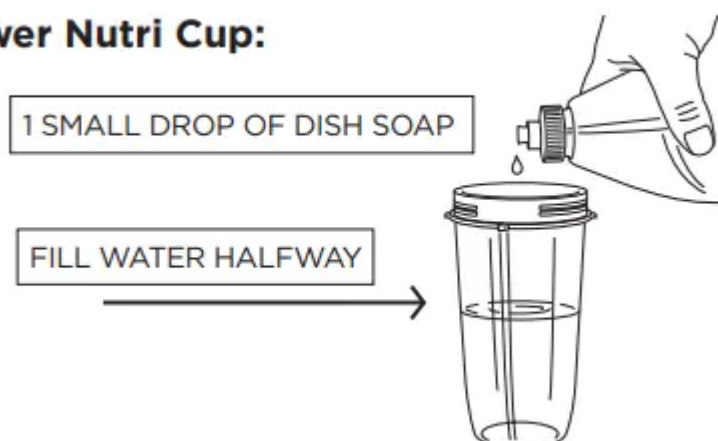
### Power Nutri™ Bowl:



Fill with warm water up to top of Power Paddle and add 1 or 2 small drops dish soap. Install blade assembly.

### Power Nutri Cup:

#### Power Nutri Cup:



Fill halfway with warm water and add 1 small drop dish soap. Install blade assembly.

**3** Install the container on the motor base. Select BOWL, then press START/STOP.

**NOTE:** If using the **Power Nutri Bowl**, twist the Power Paddle counterclockwise *continuously* while cleaning.



4 Once program is complete, thoroughly rinse container and blade assembly under warm, soapy water. Use the included cleaning brush to remove any remaining residue.

## CLEANING

### Hand-Washing



Wash containers, lids, and blade assemblies in warm, soapy water. Use a dishwashing utensil with handle to avoid direct contact with the blades. Use the included cleaning brush to remove excess residue, such as when dealing with stuck-on ingredients, like doughs and batters. Exercise care when handling the blade assembly as the blades are sharp. Thoroughly rinse and air-dry all parts.

**NOTE:** The Power Paddle in the Power Nutri™ Bowl is not removable.

### Dishwasher

Containers, lids, and blade assemblies are dishwasher safe. Ensure the blade assembly and lid are removed from the container before placing in the dishwasher.

**NOTE:** For best results, use a dishwasher to remove stuck-on ingredients.

### Motor Base

Unplug the motor base before cleaning. Wipe motor base with a clean, damp cloth. **DO NOT** use abrasive cloths, pads, or brushes to clean the base.

## STORING

For cord storage, wrap cord with hook-and-loop fastener near the back of the motor base. **DO NOT** wrap the cord around the bottom of the base for storage.

**DO NOT** store blended or unblended ingredients in the cup or bowl with the blade assembly attached.

**DO NOT** stack items on top of the containers. Store any remaining attachments alongside the unit or in a cabinet where they will not be damaged or create a hazard.

## RESETTING THE MOTOR

This unit features a unique safety system that prevents damage to the motor and drive system should you inadvertently overload it. If the unit is overloaded, the motor will be temporarily disabled. Should this occur, follow the reset procedure below.

- 1 Unplug the unit from the electrical outlet.
- 2 Allow the unit to cool for approximately 15 minutes.
- 3 Remove the container's lid and blade assembly. Empty the container and ensure no ingredients are jamming the blade assembly.

**IMPORTANT:** Ensure that maximum capacities are not exceeded. This is the most typical cause of appliance overload.

## TROUBLESHOOTING GUIDE

**WARNING:** To reduce the risk of shock and unintended operation, turn power off and unplug unit before troubleshooting.

### Display reads “- -”.

- If the display reads install a container and the available program buttons will illuminate, indicating the unit is ready for use. Ensure the lid is fully engaged and the container has been rotated clockwise and clicked to lock into place.

### Display reads “E1”.

- If the display reads “E1”, unplug the unit from the electrical outlet and allow it to cool for 15 minutes. Remove the blade assembly and empty the contents to ensure no ingredients are jamming the blade assembly.

### Display reads “E2”.

- If the display reads “E2” unplug the unit from the electrical outlet and allow it to cool for 5 minutes. Remove the blade assembly and empty the contents to ensure no ingredients are jamming the blade assembly. If output is too thick and ingredients are not processing properly, add more liquid.

**Blade speed sometimes changes when blending thinner ingredients.**

- When using speed 9 or 10 with the Power Pitcher, you may notice a change in the blade speed when blending thinner ingredients. This is due to the smart technology in the blender and is part of the unit's normal operation.

**Unit doesn't mix well; ingredients get stuck.**

- Using the Auto-iQ® programs is the easiest way to achieve great results. The pulses and pauses allow the ingredients to settle toward the blade assembly. If ingredients are routinely getting stuck, adding some liquid will usually help.
- When filling the cup, start with fresh fruit or veggies, then leafy greens or herbs. Next add liquids or yogurt, then seeds, powders, or nut butters. Finally, add ice or frozen ingredients.
- If using the Power Nutri™ Bowl, during the blending process twist the Power Paddle counterclockwise continuously to circulate ingredients.

**Unit moves on counter while blending.**

- Make sure the surface and feet of the unit are clean and dry.

**Preset program will not work.**

- The unit can detect which container is on the motor base. You may be trying to use a program that is not designed for the container you have installed. The programs will light up, indicating which programs are available for each container.

**Food is not evenly chopped.**

- For best results when chopping, cut pieces of ingredients in a uniform size and don't overfill the Power Pitcher. Refer to the Quick Start Guide or Inspiration Guide for food prep instructions.

**Can't remove the Power Paddle from the Power Nutri Bowl.**

- The Power Paddle in the Power Nutri Bowl is not removable. For cleaning instructions, refer to the Care & Maintenance section.

**Can only select speed 10 in Manual Mode when using the Power Nutri Bowl or Cup.**

- Only speed 10 is available when using the Power Nutri Bowl or Cup. All 10 speeds ranges are available when using the Power Pitcher and Stacked Blade Assembly.

**IMPORTANT:** Only use speeds 1 or 2 when using the Dough Blade Assembly.

**Warning**

This content is compiled from multiple sources and is provided for reference purposes only. It may not be complete or fully applicable to all situations. If you are unable to resolve your issue, please contact the product manufacturer or an authorized service provider for official support.

---

Document generated by [ManualsFile](#)

