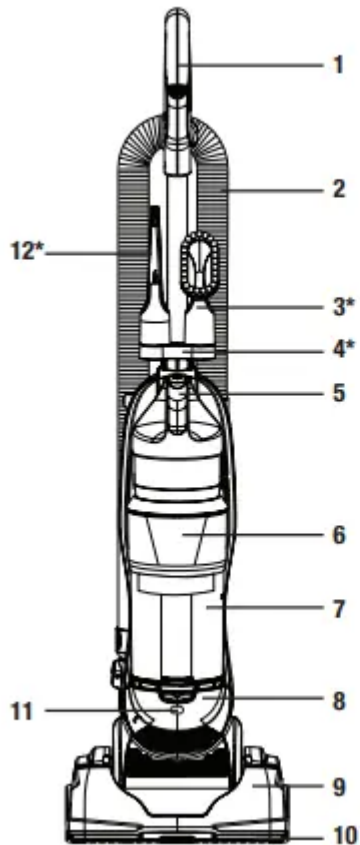
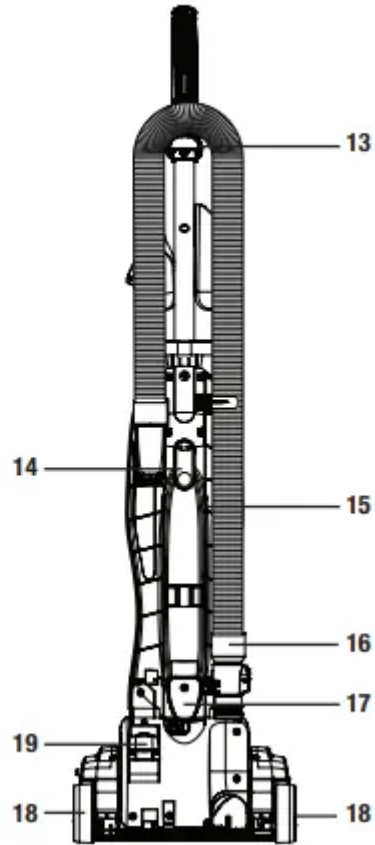


FEATURES

FRONT VIEW/AVANT/PARTE FRONTAL



BACK VIEW/ARRIÈRE/PARTE POSTERIEUR



1. Handle Grip
2. Stretch Hose
3. Dust Brush*
4. Tool Caddy*
5. Dirt Cup Release Button
6. Baffle
7. Dirt Cup
8. Filter
9. Nozzle
10. Bumper
11. Performance Indicator
12. Crevice Tool*
13. Hose Clip
14. Quick Release Cord Hook
15. Power Cord
16. Lower Hose Connector

17. Lower Cord Wrap

18. Wheels

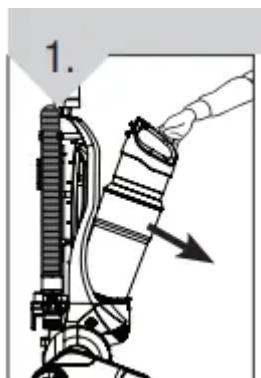
19. On/Off Pedal

*On select models only

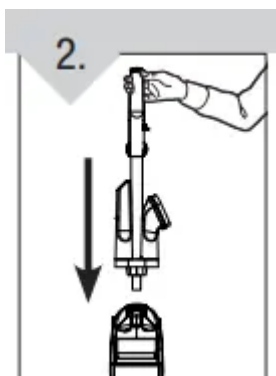
HOW TO ASSEMBLE

TOOL REQUIRED: PHILLIPS OR FLAT HEAD SCREWDRIVER

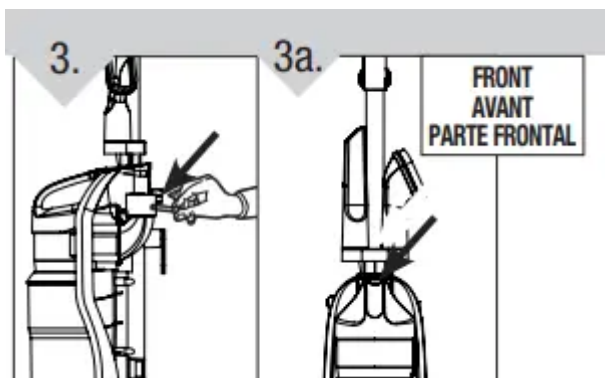
ATTACH FIXED HANDLE



Remove dirt cup from body of cleaner

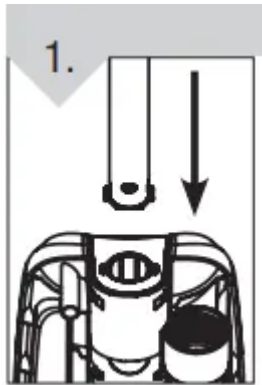


Slide handle into hole on top of cleaner

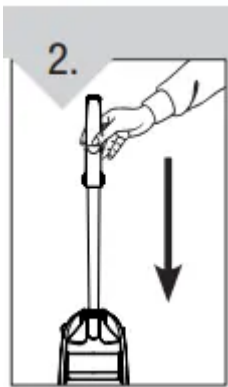


Insert screw through hole (located under tool caddy) on back of cleaner (Diagram 3). Place bolt onto end of screw coming through back panel and tighten to secure handle (Diagram 3a).

ATTACH TELESCOPIC HANDLE

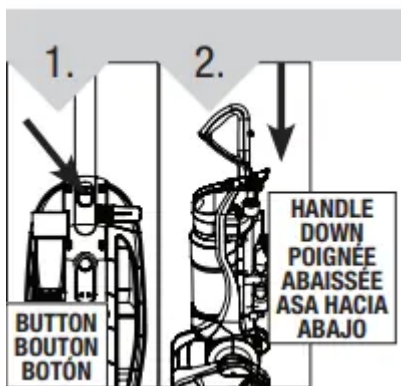


Insert handle into body of cleaner



Push down firmly until handle locks into place

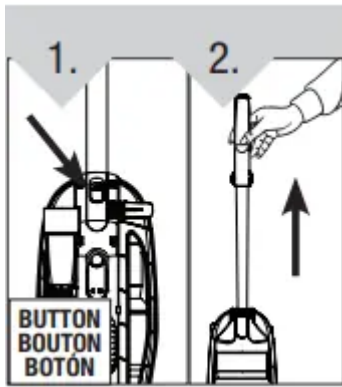
FOR STORAGE



For storage, press the telescopic handle release button on the back of the cleaner and push handle down

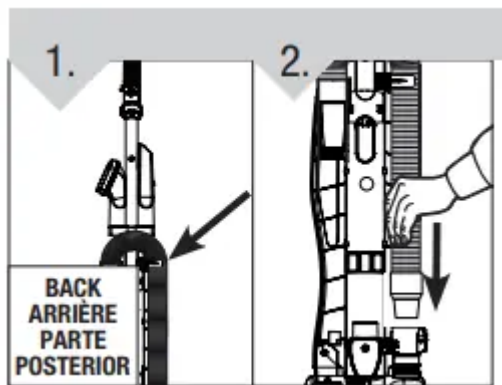
FOR REGULAR USE





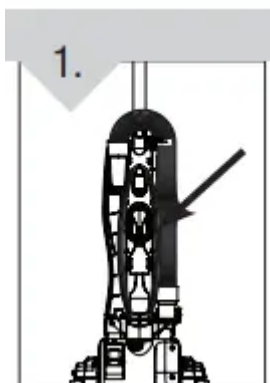
For regular use, push the telescopic handle release button and pull handle up

SECURE BACK HOSE



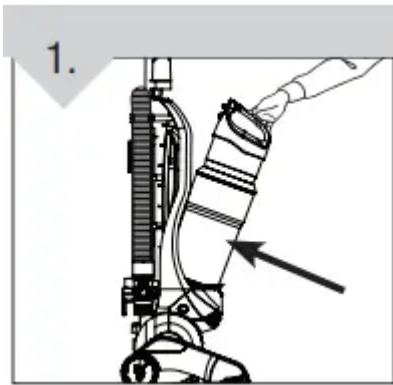
Wrap hose around back of hose caddy. Push hose wand down into the right side of cleaner.

TOOL STORAGE



Attach crevice tool and dust brush to tool caddy

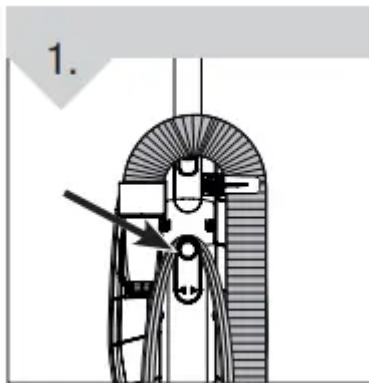
INSTALL DIRT CUP



Replace dirt cup by tilting back until it snaps into place

HOW TO OPERATE

CORD RELEASE



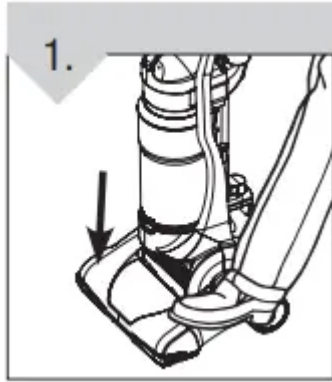
Turn quick cord release for easy cord removal. To Use: Plug into electrical outlet. For convenient storage: Wrap cord on cord hooks. Attach the plug end to the cord.

ON/OFF PEDAL



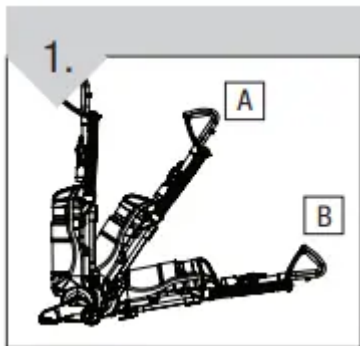
Plug cord into electrical outlet. Turn cleaner on by depressing foot pedal located on the back left side of the cleaner

HANDLE RELEASE



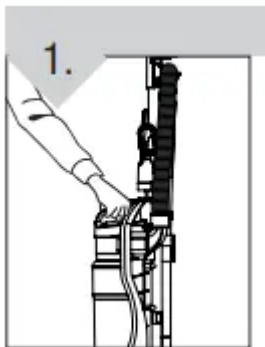
Pull back handle to tilt back. Press on the front of nozzle if needed.

FLOOR/CARPET CLEANING



Move the handle and adjust it to the desired position for (A) operating the cleaner, and (B) lowering handle to clean under furniture.

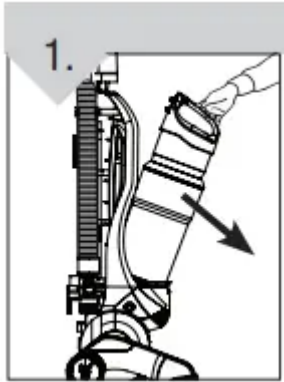
CARRY HANDLE



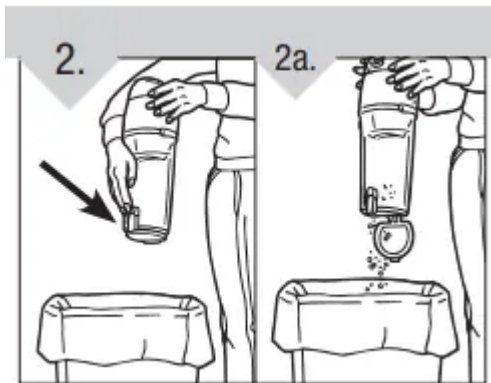
Use the carry handle to move the cleaner from room to room.

DIRT CUP & FILTER: REMOVAL & REPLACEMENT

EMPTY DIRT CUP

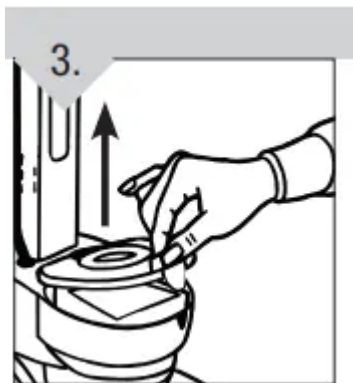


Lift dirt cup release button on top of dirt cup to remove dirt cup.

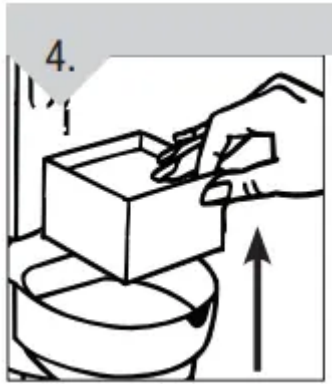


Hold dirt cup over garbage can and press clean release dirt cup button to empty. Make sure container bottom center opening is clear of debris. Snap dirt cup bottom back into place after emptying.

REMOVE FILTER CARTRIDGE

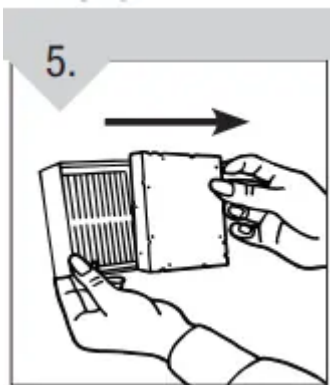


Click the button on the base of the cleaner toward the outside edges to unlock the filter cartridge, then put away the filter cover.



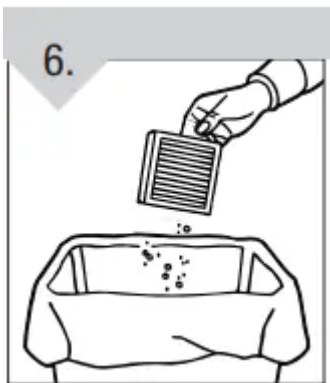
Lift the filter cartridge out of the base cleaner.

REMOVE FOAM FILTER



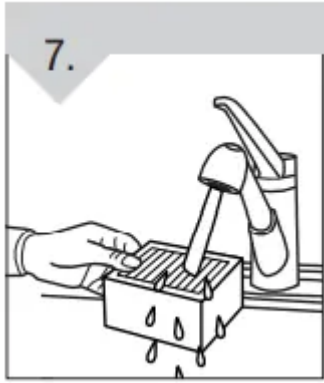
Remove the foam filter from the filter cartridge.

CLEAN PLEATED FILTER



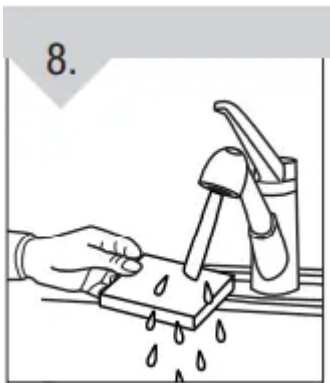
Tap the pleated filter on the inside of a garbage bin to remove excess dust and dirt from the filter. Replace the filter every 6 months.

RINSE PLEATED FILTER



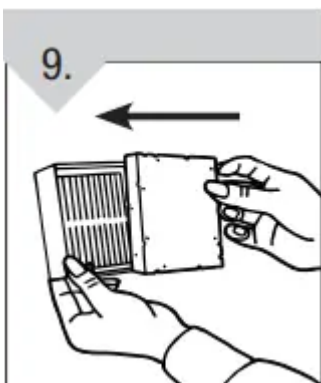
Hold the pleated filter upside down under running water to rinse. Allow filter to dry for at least 24 hours before replacing in filter cartridge.

RINSE FOAM FILTER



Hold the foam filter under running water to rinse. Allow filter to dry for at least 24 hours before replacing in filter cartridge

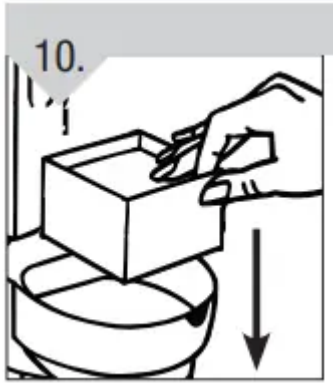
REPLACE FOAM FILTER



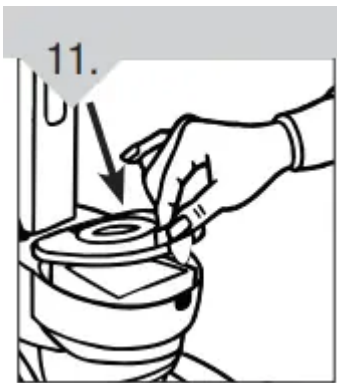
Return foam filter to filter cartridge.

REPLACE THE FILTER CARTRIDGE



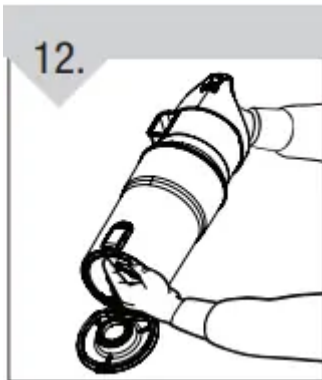


Return filter cartridge to base of cleaner.

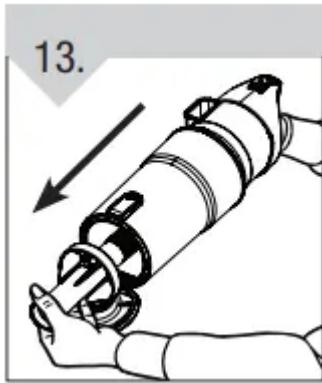


Click button back into place to lock filter cartridge in base of cleaner.

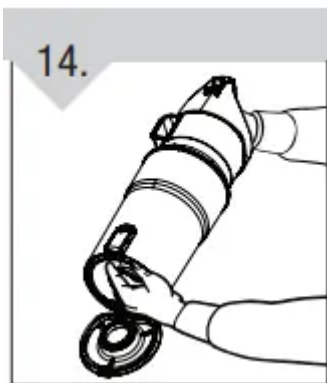
CLEAN THE AIR DIRECTOR



To remove Air Director, rotate 1/4 turn counter clockwise.

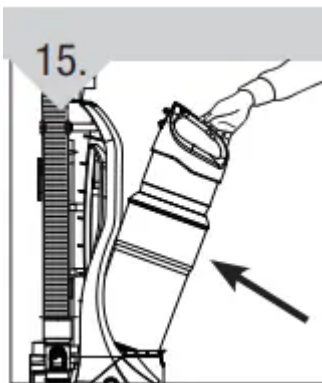


Pull out and wipe with a damp cloth to clean



Dry and return the Air Director to the dirt cup. Rotate 1/4 turn clockwise to lock in place.

REPLACE DIRT CUP



Return dirt cup to cleaner

REGULAR MAINTENANCE: Each time the dirt cup is emptied, the filter should be cleaned. Tap the filter firmly against the inside of a trash can until the dirt stops falling from the filter. (Filter will be discolored after use, this will not affect the filter's performance.) Do not brush the filter. The cleaning instructions may vary depending on the dirt conditions. In some cases, more or less cleaning of the filter may be required.

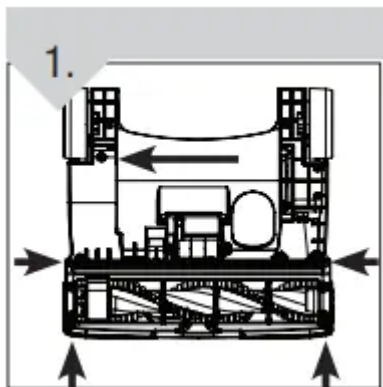
An internal thermal protector has been designed into your cleaner to protect it from overheating. When the thermal protector activates the cleaner will stop running. If this happens proceed as follows:

1. Turn cleaner OFF and disconnect it from the electrical outlet.
2. Empty dirt cup.
3. Inspect the nozzle and bag inlet openings for any obstructions. Clear obstructions if present.
4. When cleaner is unplugged and motor cools for 30 minutes, the thermal protector will deactivate and cleaning may continue.

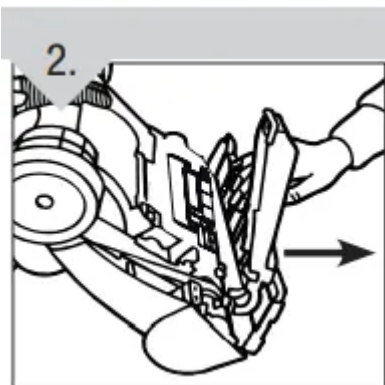
If the thermal protector continues to activate after following the above steps, your cleaner may need servicing.

BELT OR BRUSHROLL: REMOVAL & REPLACEMENT

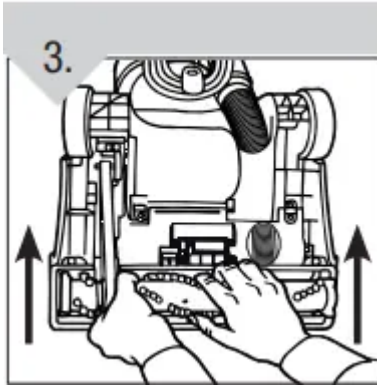
TO REMOVE BELT



Lay the cleaner flat and flip it to expose the nozzle base. The base should lay flat and face up. Remove the five (5) screws.



Pull and lift the nozzle guard off.

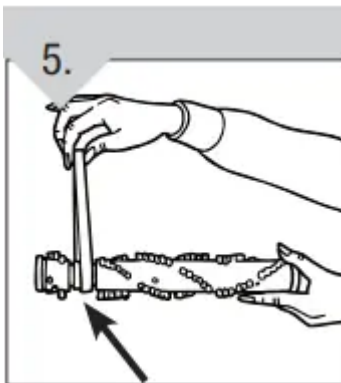


Lift and remove the brushroll. Dispose of the old belt.

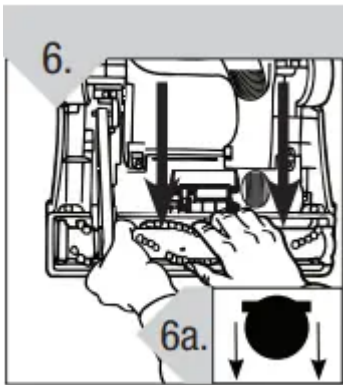
TO REPLACE BELT OR BRUSHROLL



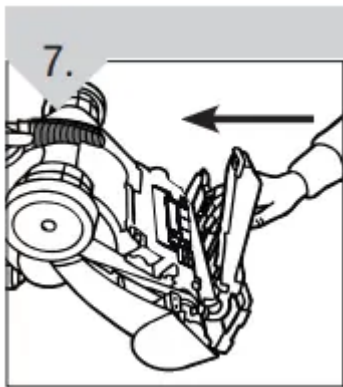
Slide belt onto motorshaft



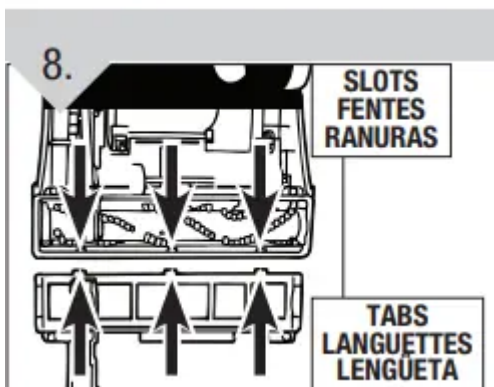
Place new belt in area of brushroll without bristles.



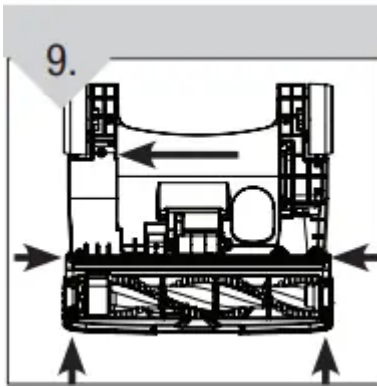
With new belt in place, pull and slide brushroll into nozzle making sure that the brushroll end caps are in the correct orientation (6a inset). Rotate brushroll manually to make sure belt is properly aligned.



Reattach nozzle guard.



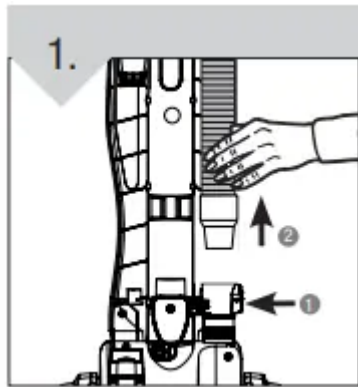
Secure by aligning the three (3) tabs in the base slots



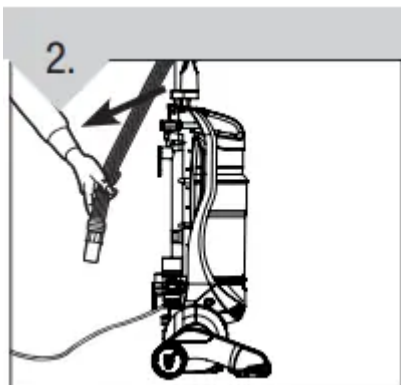
Replace all five (5) screws to secure nozzle guard.

HOSE AND TOOL USAGE

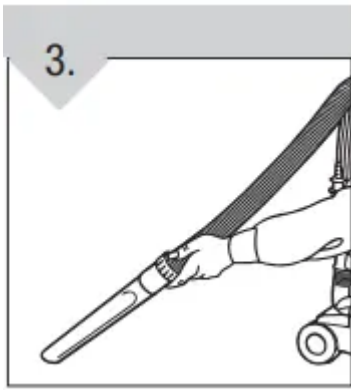
TO USE HOSE AND ATTACHMENTS



Remove the hose from hose caddy



Choose any of the handy accessories or use the hose alone.



Simply push the attachment firmly onto the hose end. To remove tool, twist and pull apart gently

TROUBLESHOOTING GUIDE

PROBLEM	POSSIBLE REASON	POSSIBLE SOLUTION
Cleaner won't run	1. Power cord not firmly plugged into outlet.	1. Plug unit in firmly
	2. Blown fuse or tripped breaker.	2. Check fuse or breaker in home. Replace fuse/ reset breaker.
	3. Needs service.	3. Call Customer Service: 1-800-321-1134.
	4. Thermal Protector activated.	4. Allow cleaner to cool for 30 min.
Cleaner won't pick up or low suction Performance Indicator* light has turned red	1. Dirt cup not installed correctly.	1. Review dirt cup removal and replacement.
	2. Dirt cup full.	2. Empty dirt cup
	3. Brushroll worn	3. Replace brushroll
	4. Broken or worn belt.	4. Replace belt
	5. Clogged filter	5. Remove filter and clean
	6. Nozzle/brushroll clogged	6. Check nozzle/brushroll; remove obstruction/ clog
	7. Hose clogged.	7. Remove hose; remove clog.
Dust escaping from cleaner	1. Dirt cup full.	1. Empty dirt cup
	2. Dirt cup not installed correctly.	2. Review dirt cup removal & replacement.
	3. Hose not installed correctly.	3. Review hose installation
	4. Filter not installed completely	4. Review filter removal & replacement.

LIMITED WARRANTY

To the consumer, Royal Appliance Mfg. Co. warrants this product to be free of defects in material or workmanship commencing upon the date of the original purchase. Refer to the data plate label on your product for the length of warranty and save your original sales receipt to validate start of warranty period.

If the product should become defective within the warranty period, we will repair or replace any defective parts free of charge. The complete machine must be delivered prepaid to any ROYAL® Authorized Sales & Warranty Service Station. Please include complete description of the problem, day of purchase, copy of original sales receipt and your name, address and telephone number. If you are not near a Warranty Station, call the factory for assistance at USA & Canada: 1-800-321-1134. Use only genuine Royal ® replacement parts.

The warranty does not include unusual wear, damage resulting from accident or unreasonable use of the product. This warranty does not cover accessories or attachments. This warranty does not cover unauthorized repairs. This warranty gives you specific legal rights and you may also have other rights (Other rights may vary from state to state in the USA).

Warning

This content is compiled from multiple sources and is provided for reference purposes only. It may not be complete or fully applicable to all situations. If you are unable to resolve your issue, please contact the product manufacturer or an authorized service provider for official support.