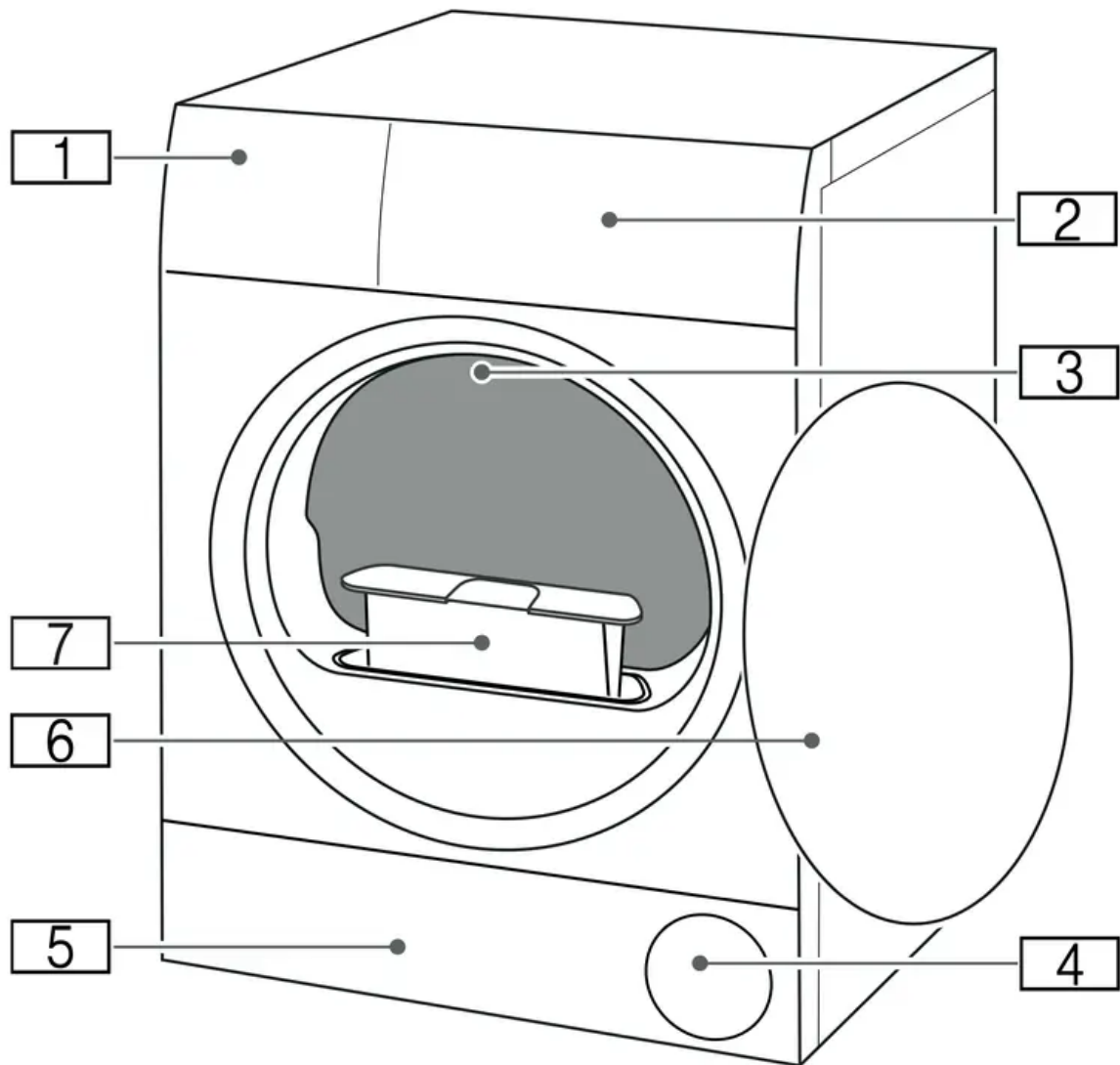


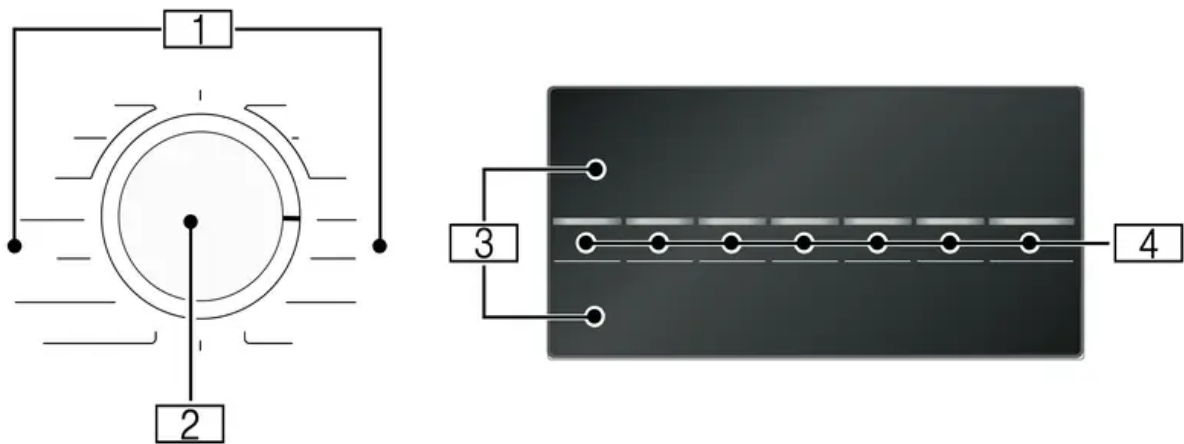
Familiarising yourself with your appliance

Appliance overview



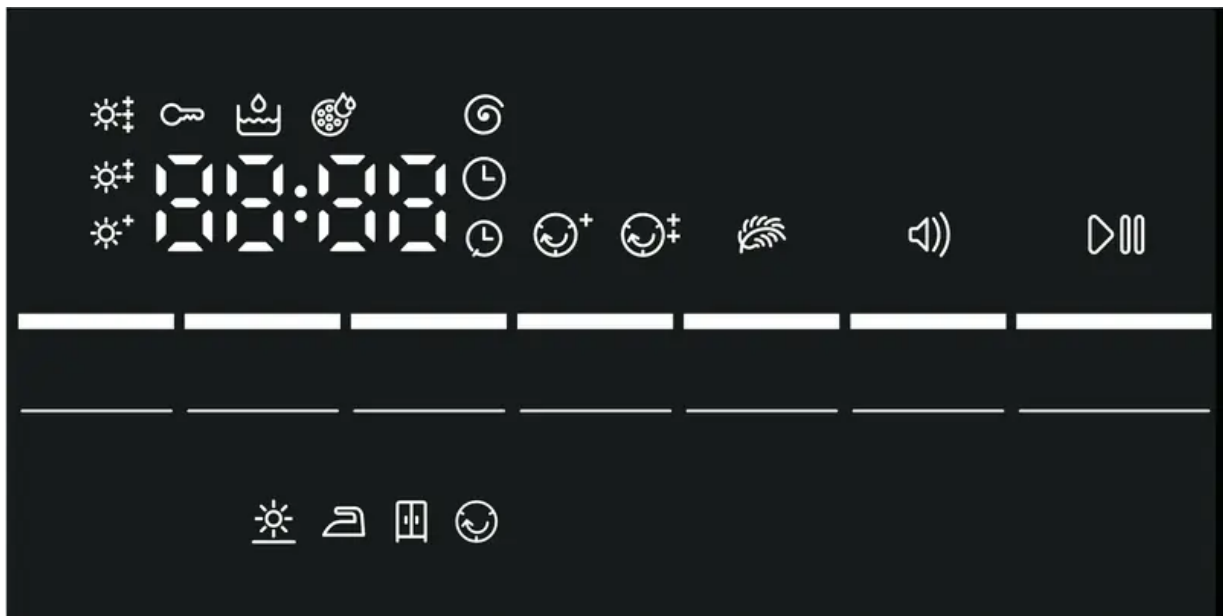
1. Condensation container
2. Control panel
3. Drum interior lighting (depending on the model)
4. Air inlet
5. Maintenance flap on the base unit
6. Door
7. Fluff filter

Fascia



1. Programmes
2. Programme selector
Switch the appliance on/off
Set the programme/dryness level
3. Display
Displays settings and information
4. Buttons
for programme settings and additional functions/appliance settings

Display

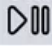




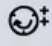
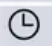



Indicator/ symbol	Description	Information
	Programme status:	Lit: Status indicator
☼	Drying	
👕	Iron Dry	
🗄️	Cupboard Dry	
🕒	Anti-Crease	
P-	Pause	
End	End of programme	
00:00	Programme duration	Expected programme duration in hours and minutes.
e.g. 🕒 02:45	Programme delay	Appears when altering and activating the "Ready in" time
🗑️	Empty the condensation container → <i>Page 30</i>	<ul style="list-style-type: none"> ■ Empty the condensation container and then reinsert it. → <i>Page 30</i> Then press Start/Pause ▶️🕒. ■ If the optional drain hose* is installed, make sure that the drain hose: <ul style="list-style-type: none"> - Is correctly connected. → <i>Page 36</i> - Is not kinked or bent. - Is not blocked or clogged, e.g. by deposits. ■ Check that no debris has found its way into the base unit. Open the maintenance flap and remove any debris.
🌀	Fluff filter Base unit	Removing fluff → <i>Page 31</i> Cleaning the base unit → <i>Page 40</i>

Hot	CoolDown	<p>The appliance can reach high temperatures when drying. To cool the laundry, the CoolDown process reduces the temperature in the drum. If the door is not opened, the CoolDown process automatically starts after 30 seconds in the following cases:</p> <ul style="list-style-type: none"> ■ Pause the programme ■ Cancel the programme <p>You can continue to operate the appliance during the CoolDown process.</p> <p>Notes</p> <ul style="list-style-type: none"> ■ The drum continues to rotate during the CoolDown process, even if you have paused the programme. ■ Do not change the programme during the CoolDown process. ■ Temperature regulation can take up to 10 minutes.
------------	----------	------------------------------------------------------------------------------------------------------------------------------------------------------------------------------------------------------------------------------------------------------------------------------------------------------------------------------------------------------------------------------------------------------------------------------------------------------------------------------------------------------------------------------------------------------------------------------------------------------------------------------------------------------------------------------------------------------------------------------------------------------------



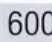
Programme settings

For more information about the programme settings: → *Page 25*









Start/Pause 	Start or pause/cancel the programme	<ul style="list-style-type: none"> ■ Lit: Programme started. ■ Flashing: Programme paused.
  	Degree of dryness	Degree of dryness for a dryness level activated
 	Anti-Crease	Anti-Crease 60 min activated Anti-Crease 120 min activated
	Timed programme	Timed programme activated
	Low-heat drying	Gentle drying for delicate fabrics activated




Appliance settings

For more information about the appliance settings: → *Page 33*





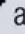
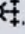


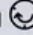

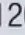

	Childproof lock	<ul style="list-style-type: none"> ■ Lights up: The childproof lock is activated ■ Flashing: The control panel cannot be used. Childproof lock is activated. → <i>Page 33</i>
	Notification signal	Notification signal at the end of programme activated
600 - 1800 	Spin speed (rpm)	Change the spin speed for the previously spun laundry

Overview of programmes

Programme	Maximum load
Programme name Brief explanation of the programme and the items for which it is suitable.	Maximum load based on the dry weight of the items
Cottons  Hard-wearing items and heat-resistant items made of cotton or linen.	8 kg
Sportswear  Self-drying sportswear made of performance fibres, microfibres and synthetics.	1.5 kg
Towels  Hard-wearing towels and dressing gowns made of cotton.	6 kg
Mixed  Mixed load consisting of items made from cotton and synthetic fabrics.	3 kg
Timed Program Warm  Timed programme for all types of fabric except silk. Suitable for pre-dried or slightly damp laundry and for drying off multi-layered, thick laundry. For drying individual items of laundry. Notes <ul style="list-style-type: none"> ■ Dry woollens, sports shoes and soft toys only with the basket for woollens. ■ In the timed programme, the laundry's remaining moisture is not automatically detected. If the laundry is still too damp when the drying programme has ended, repeat the programme and, if required, extend the programme duration. → "Programme settings" on page 25 	3 kg Max. load for woollens/soft toys in the basket: 1 basket load Max. load for shoes in the basket: 1 pair
Timed Program Cold  Timed programme for all types of fabric except for wool and silk. For loosening up or airing clothing that has hardly been worn. For drying individual items of laundry. Note: You can adjust the programme duration. → "Programme settings" on page 25	3 kg
Easy Care  Items made of synthetic or blended fabrics.	3.5 kg
Shirts/Blouses  Shirts/blouses made of cotton, linen, or synthetic or blended fabrics. Note: Once the laundry is dry, iron it or hang it up. This will allow the residual moisture to be distributed evenly.	1.5 kg

Super 40' 	1 kg
Mixed load of synthetic fabrics and light cottons.	
Wool Finish 	0.5 kg
Machine-washable items made of wool or containing wool.	
Notes	
<ul style="list-style-type: none"> ■ Laundry becomes fluffier but not dry. ■ Remove laundry once the programme has ended and allow to dry. 	
Delicates 	2 kg
Delicate, washable items, e.g. made from satin, or synthetic or blended fabrics.	

Programme settings

Program setting	Function
Note: Not all settings can be activated in every programme. The activated settings are displayed on the programme selector (dryness level) or highlighted brightly in the display. You can change or deactivate the activated settings by turning the programme selector or pressing the relevant buttons repeatedly.	
Drying Target :	The dryness level defines how damp or dry the laundry is after the programme ends. Use the programme selector to select the dryness level that you require for the laundry you need to dry.
Cupboard Extra Dry 	Multi-layered, thick laundry that does not dry readily.
Cupboard Dry 	Normal, single-layered laundry.
Iron Dry 	Normal, single-layered laundry that still needs to be damp after drying and is suitable for ironing or hanging up.
Drying Level 	If you think the laundry is still too damp when the drying programme has ended, you can adjust the degree of dryness to achieve a particular dryness level. To increase the dryness level, set the degree of dryness to between  + and  . This extends the programme duration but the temperature remains the same. Once you have adjusted the degree of dryness for a dryness level, this setting is retained even after the appliance is switched off.
Drying Time 	The drying time for timed programmes can be extended to up to three hours in 10-minute increments.
Finished in 	Before starting the programme , you can delay the time at which the programme ends by up to 24 hours. The set time in hours, e.g. 8 h, is shown in the display and counts down until the programme starts. Once the programme has started, the programme duration is displayed. Note: The programme duration is included in the "Ready in" time.
Easy Iron 	The drum moves the laundry at regular intervals after drying to prevent creasing. You can activate or deactivate the automatic Anti-Crease function for 60 minutes ( +) or for 120 minutes ( +).
Low Heat 	Reduced temperature for delicate fabrics, e.g. polyacrylic or elastane, may increase the drying time.

Laundry

Preparing laundry

Warning - Risk of explosions/fire! Certain objects may ignite when drying is in progress, or even cause the appliance to catch fire or explode. Remove any lighters or matches from pockets on items of clothing.

Caution - Risk of damage to the drum and laundry!

Leaving objects in the pockets of your clothing can cause damage to the drum and laundry when the appliance is in operation. Remove all objects (e.g. metal items) from clothing pockets.

Prepare the laundry as follows:

- Tie cloth belts, apron strings, etc. together or use a laundry bag.
- Close zips, hooks, eyelets and buttons. Button up large items of laundry, such as covers.
- Always dry very small items of laundry, e.g. babies' socks, together with large items such as towels.
- Use timed programmes for single items.
- Knitted items, such as T-shirts and jerseys, often shrink slightly the first time they are tumble-dried. Use a gentle programme.
- Do not overdry easy-care laundry.
This leads to increased creasing of your laundry.
- Some detergents and care products, e.g. starch or softeners, contain particles that may accumulate on the moisture sensor. This may impair the sensor's performance and, in turn, the drying result.

Notes

- When washing laundry to be tumble-dried, use the correct amount of detergent and care products as specified in the manufacturer's instructions.
- Clean the moisture sensor regularly, Page 40.

Sorting laundry

Note: Load the laundry item by item into the appliance. For more effective drying, do not stuff an entire bundle of laundry into the dryer at once.

Caution! Risk of material damage to the dryer or laundry

Laundry that is unsuitable for tumble-drying may damage the appliance and the laundry when it is dried. Before you dry it, sort the laundry according to the information given on the care label:



Suitable for tumble drying



Dry at normal temperature



Dry at low temperature



Do not tumble-dry

When sorting the laundry to be dried, take the following points into account:

- To achieve an even drying result, only dry laundry of the same type of fabric and texture together.
If you dry thin, thick and multilayered fabrics together, they will dry to differing degrees.
- Use the fabric descriptions given for the individual drying programmes to help you choose the most appropriate programme. "Overview of programmes" on page 23

Note: You can select a timed programme to add extra drying time for laundry that is still damp.

Caution! Risk of material damage to the appliance and laundry

Do not tumble-dry the following items or fabrics in the appliance:

- Laundry contaminated with solvents, wax or grease.
- Unwashed items.
- Items made from non-breathable fabrics (e.g. rubber-coated).
- Items made from delicate fabrics, such as silk and curtains made of synthetic material.

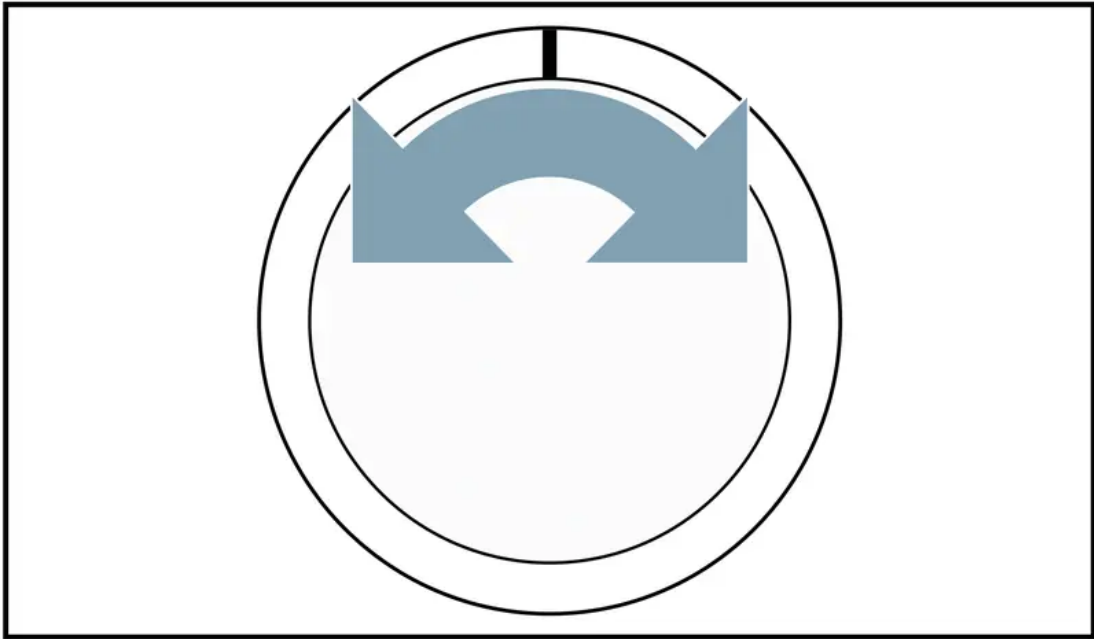
Operating the appliance

Loading laundry and switching on the appliance

Note: The appliance must be correctly installed and connected.

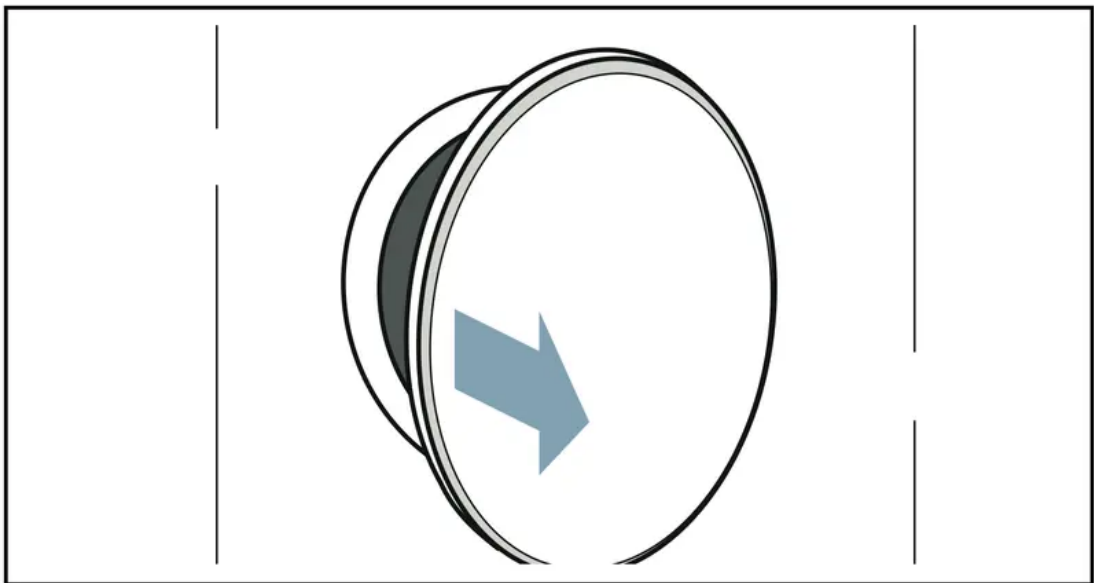
1. Prepare and sort the laundry.

2. Turn the programme selector to switch on the appliance.

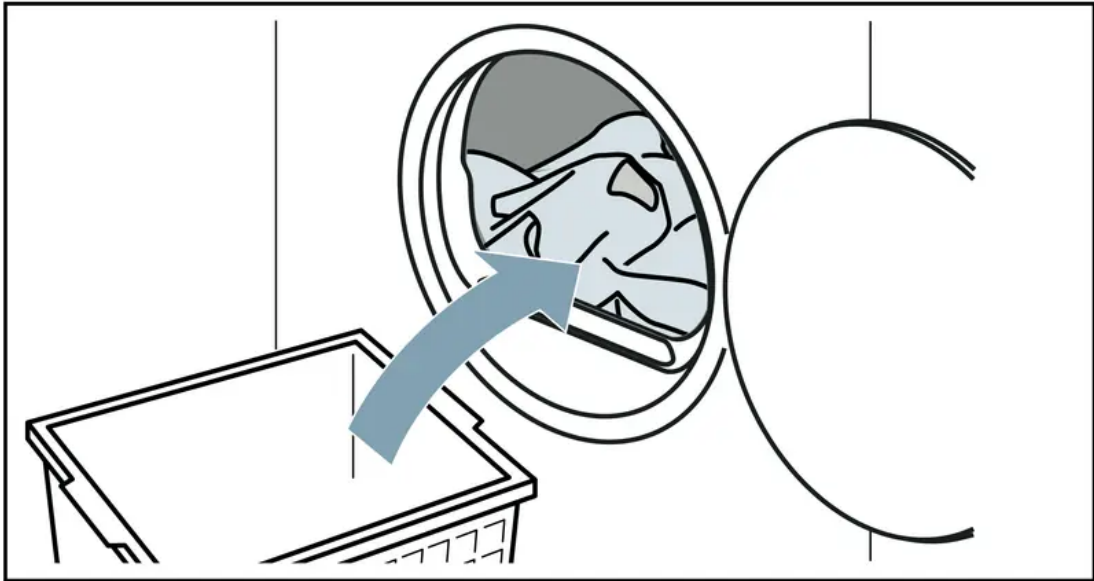


3. Open the door.

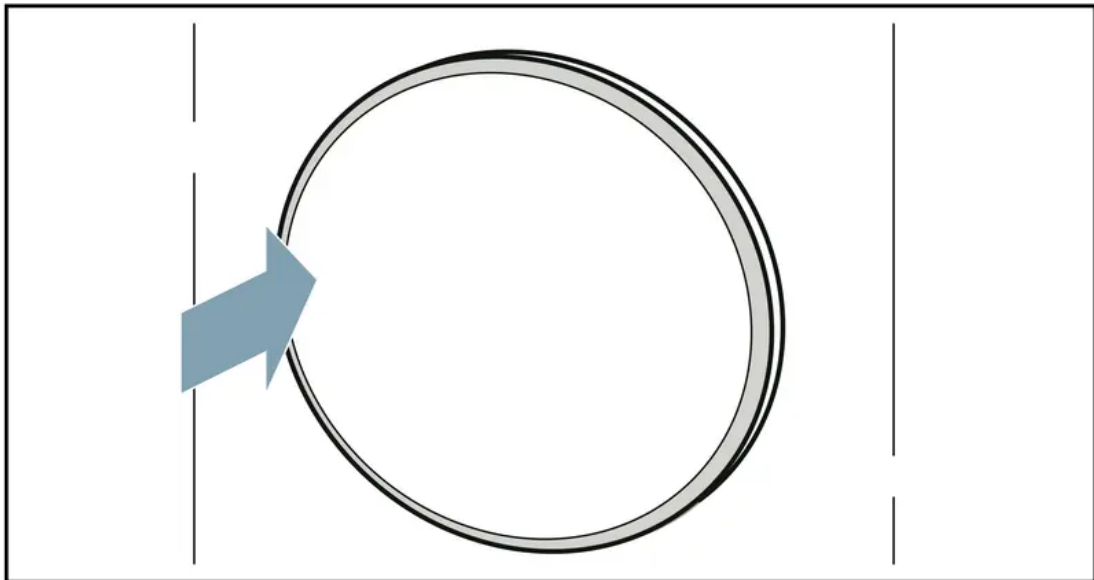
Check that the drum has been completely emptied. Empty it if necessary.



4. Load the laundry unfolded into the drum.



5. Close the appliance door.



Caution! Risk of material damage to the appliance or laundry.

Make sure that laundry is not trapped in the door.

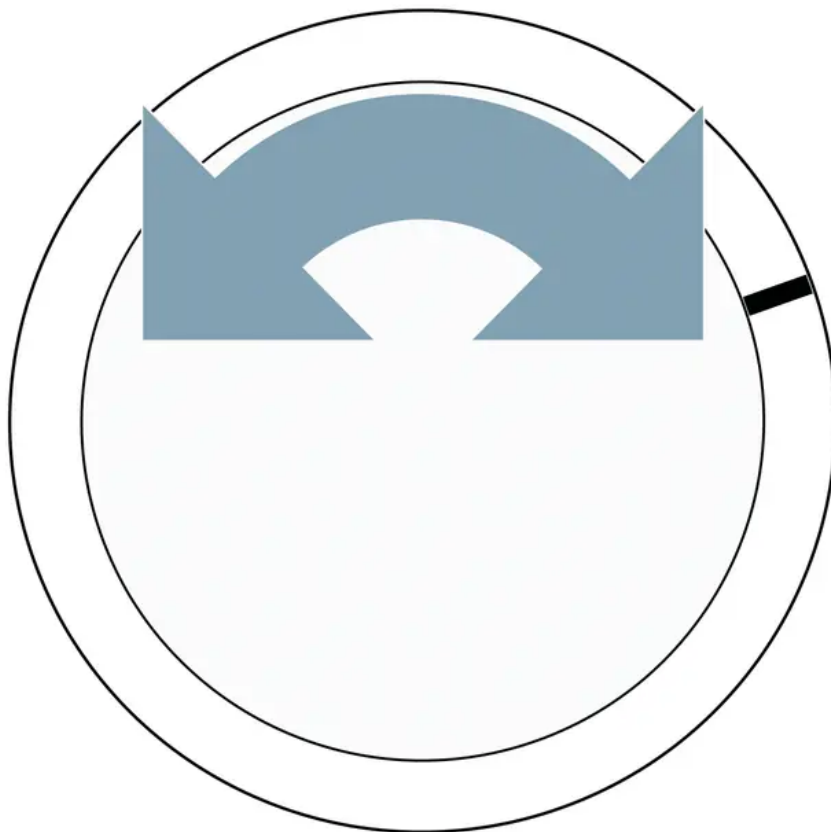


Note: The appliance's drum is lit up after the door is opened and closed and once the programme has started. The drum's interior light goes out on its own (depending on model).

Setting a programme

Note: If you have activated the childproof lock, you must deactivate it before you can set a programme.

1. Set the programme you require.



2. Adjust the programme settings, if required. "Programme settings"

Starting the programme

Press **Start/Pause** .

Note: If you want to prevent the programme from being adjusted inadvertently, activate the childproof lock. Page 33

Programme progress

The programme status will be indicated on the display.

Note: When a programme is selected, the expected drying time for the maximum permitted load is displayed. The moisture sensor measures the residual moisture in the laundry as it is being dried. The programme duration and the remaining time indicated on the display are automatically adjusted as the programme progresses, depending on how damp the laundry is (exception: Timed programmes).

Changing the programme or adding more laundry

You can remove or add laundry and change or adjust the programme at any time during drying.

1. Open the door or press **Start/ Pause**  to pause the programme.

Note: The drum will continue to rotate when the CoolDown process is in progress, even if you have paused the programme. You can stop the CoolDown process at any time by opening the door.

2. Add or remove laundry.
3. If required, select a different programme or a different programme setting. "Overview of programmes" on page 23 , "Programme settings" on page 25

Note: Do not change the programme during the CoolDown process.

4. Close the appliance door.

5. Press **Start/Pause** .

Note: The programme duration is updated on the display, depending on the load and on the residual moisture in the laundry. The values displayed may change when the programme or load is changed.

Cancelling the programme

The programme can be cancelled at any time by opening the door or pressing **Start/Pause**



Caution! Risk of fire. Laundry may catch fire.

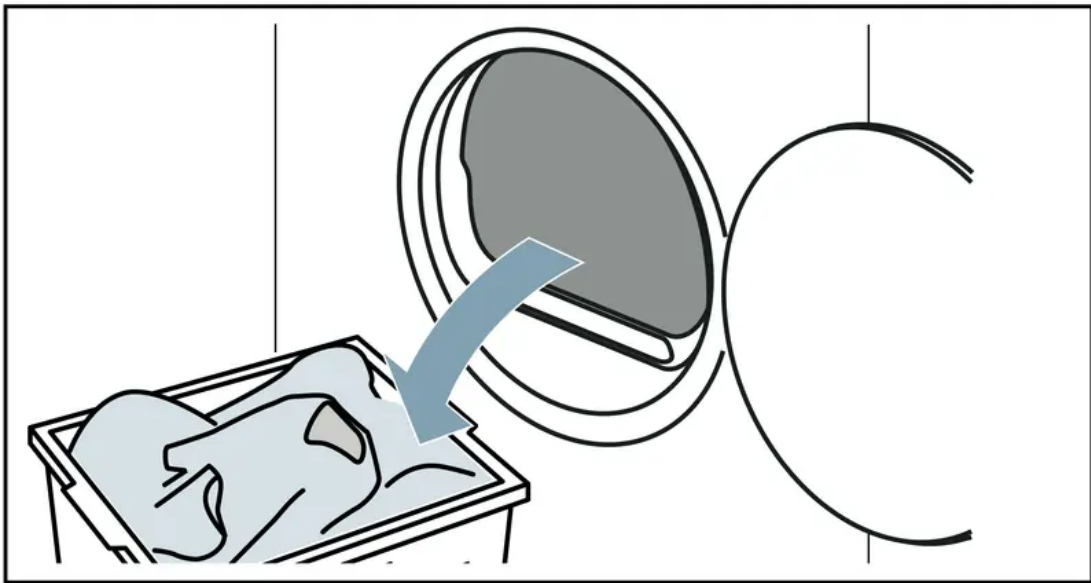
If you cancel the programme, remove all items of laundry from the dryer and spread them out to allow the heat to dissipate.

End of programme

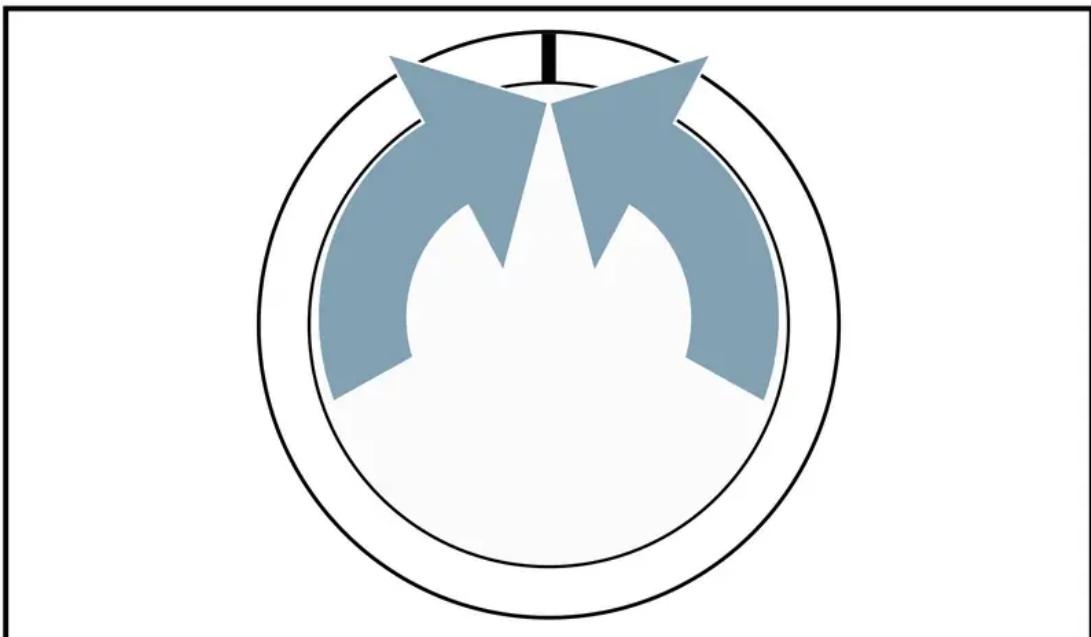
The following message appears in the display: *End*

Removing laundry and switching off the appliance

1. Remove the laundry.



2. Turn the programme selector to switch off the appliance.

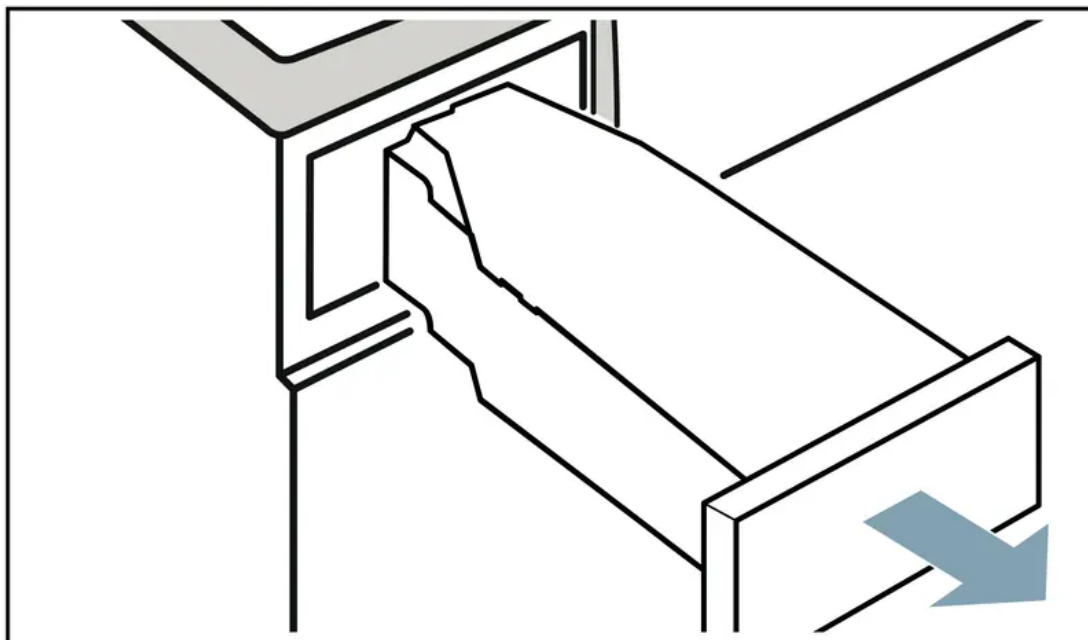


Emptying the condensation container

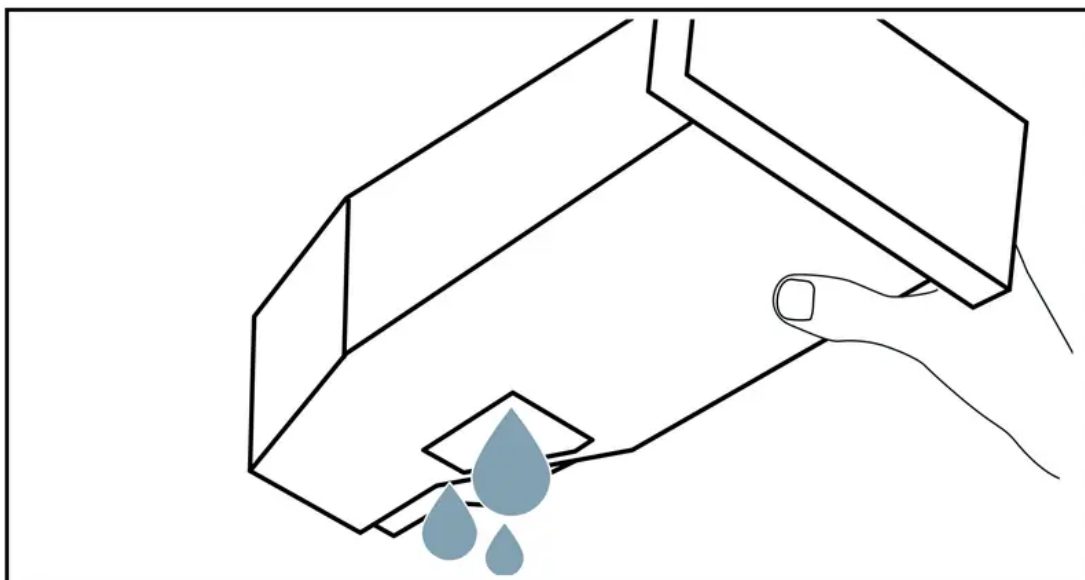
By default, the condensation from the appliance runs into the condensation container.

Alternatively, you have the option of discharging the condensation water * supplied depending on the model. If you choose to discharge the condensation water into the waste-water system, you will not need to empty the condensation container during the drying programme or after each time you use the dryer.

1. Pull out the condensation container horizontally.



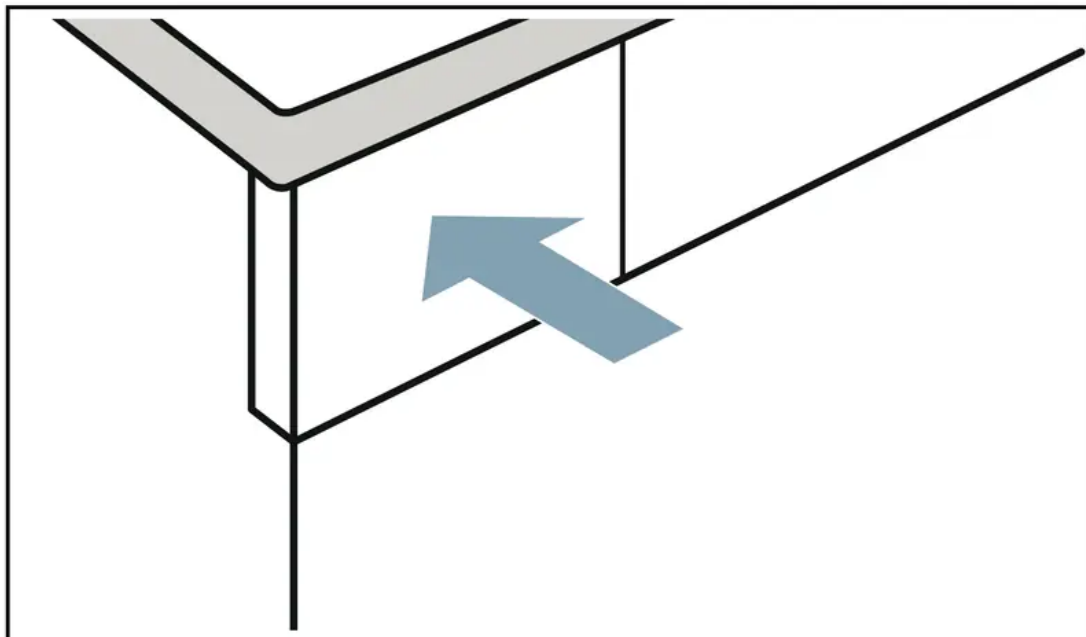
2. Pour out the condensation water.



Caution! Risk of harm to health and material damage

Condensation water is not suitable for drinking and may be contaminated with fluff. Contaminated condensation water may be harmful to your health and cause material damage. Do not drink the condensation water or reuse it.

3. Push the condensation container back into the appliance until you feel it lock into place.

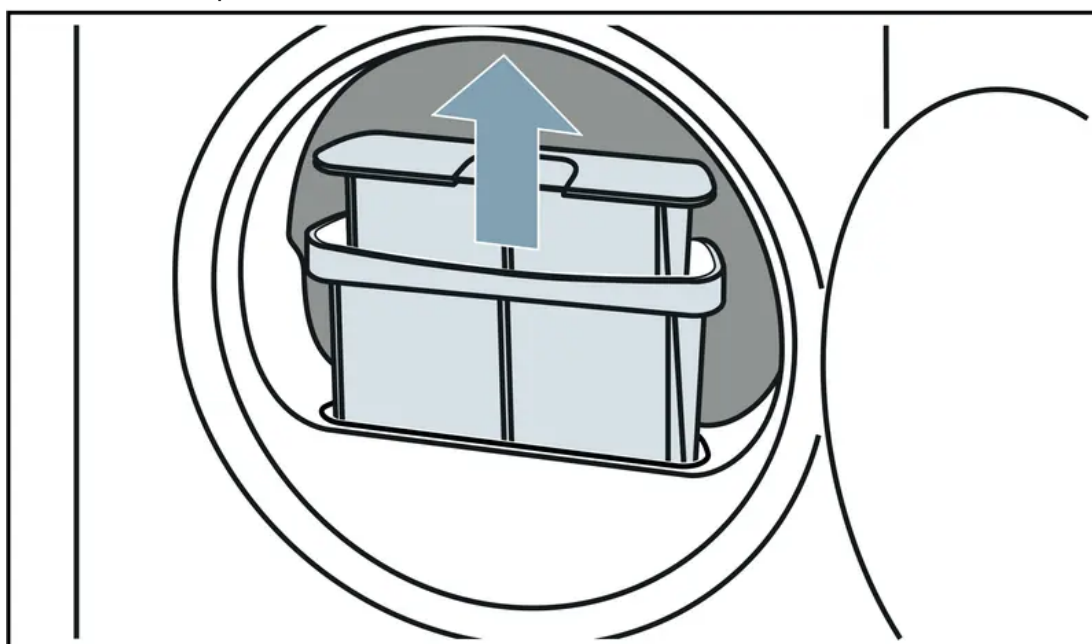


Removing the fluff

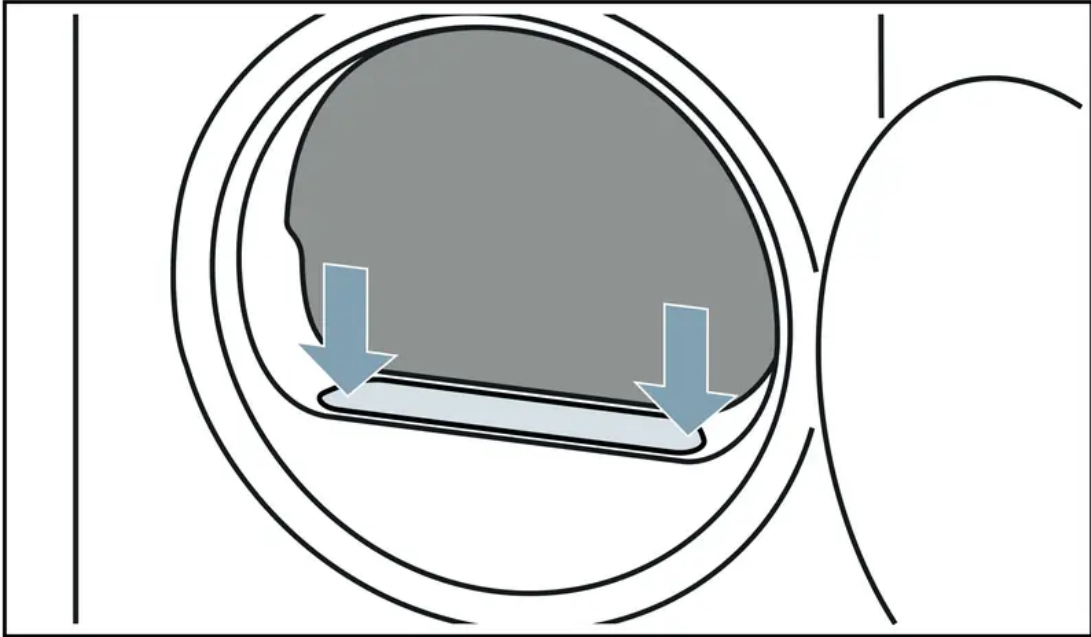
Note: During drying, fluff and hair from the laundry is trapped by the fluff filter. If the fluff filter is clogged or dirty, this reduces the flow of air, preventing the appliance from achieving optimal drying results. Dirty fluff filters increase the power consumption and increase the required drying time.

Clean the fluff filter after each drying cycle:

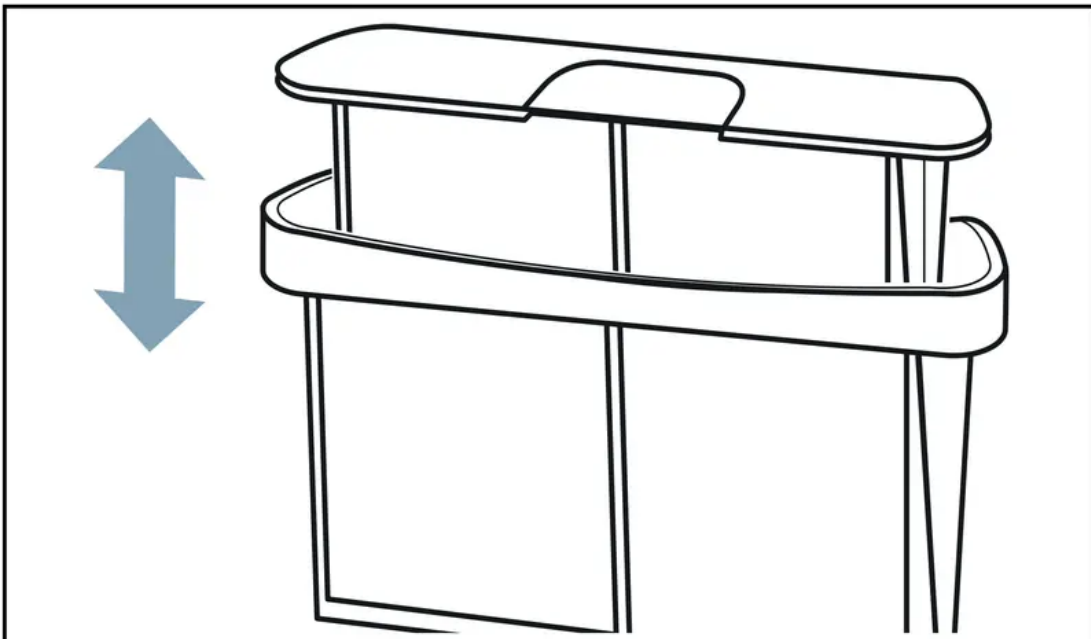
1. Open the door and remove all fluff from it.
2. Pull out the two-part fluff filter.



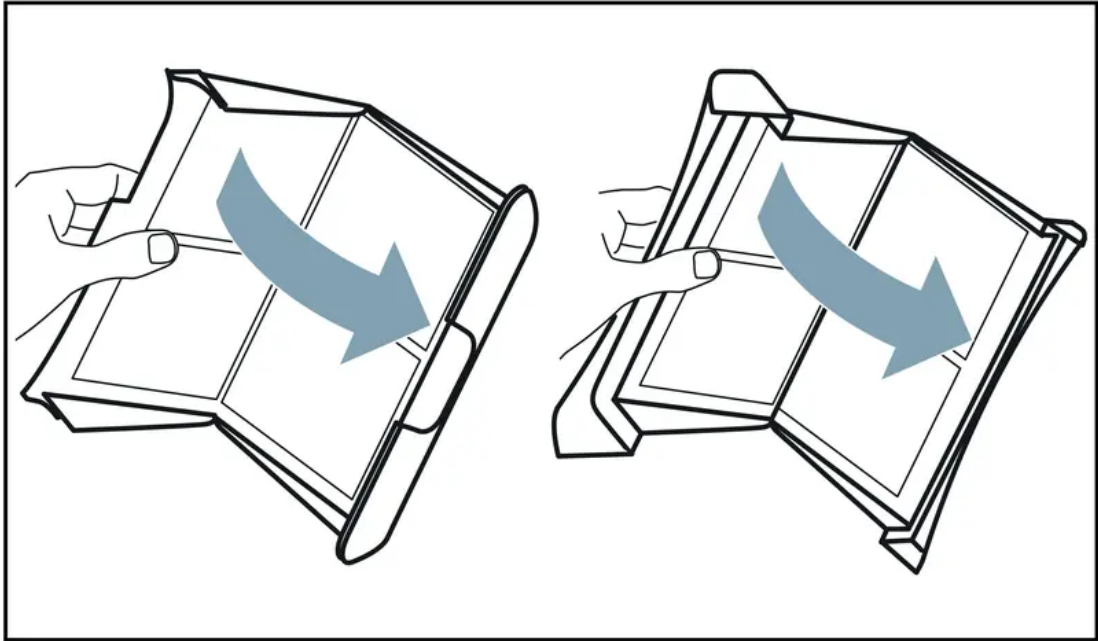
3. Remove the fluff from the fluff filter recess. Ensure that no fluff falls into the open shaft.



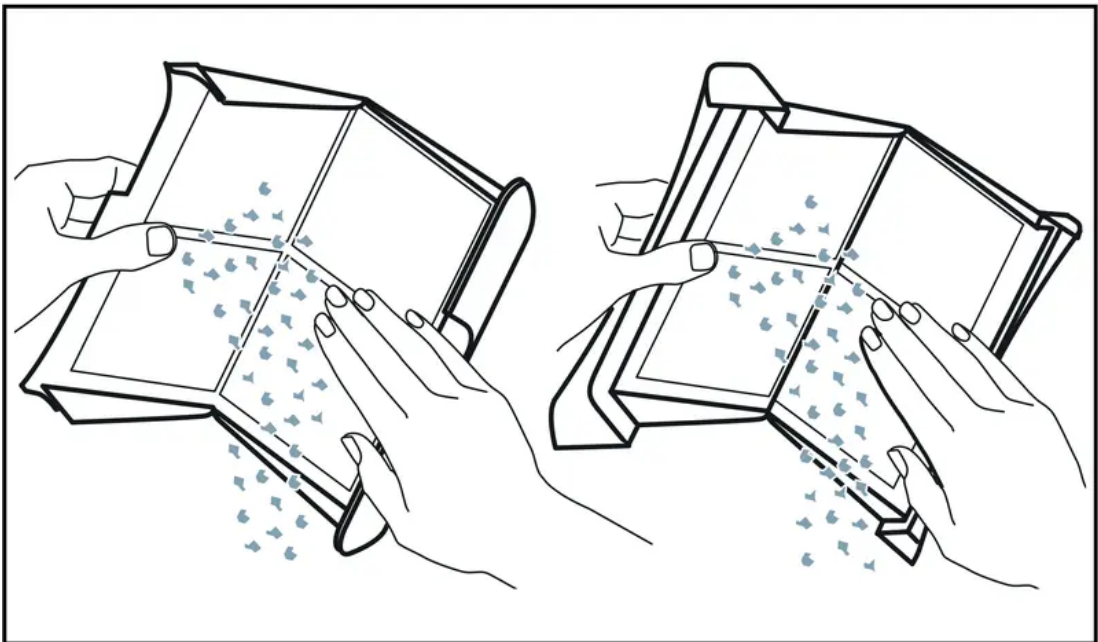
4. Pull the two-part fluff filter apart.



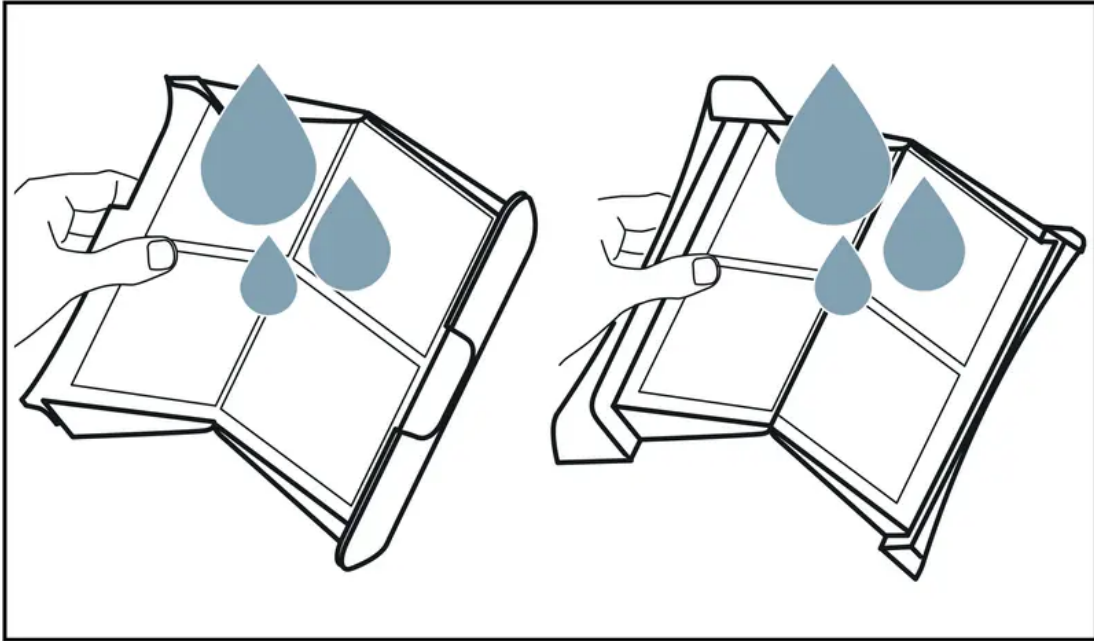
5. Open the two parts of the filter.



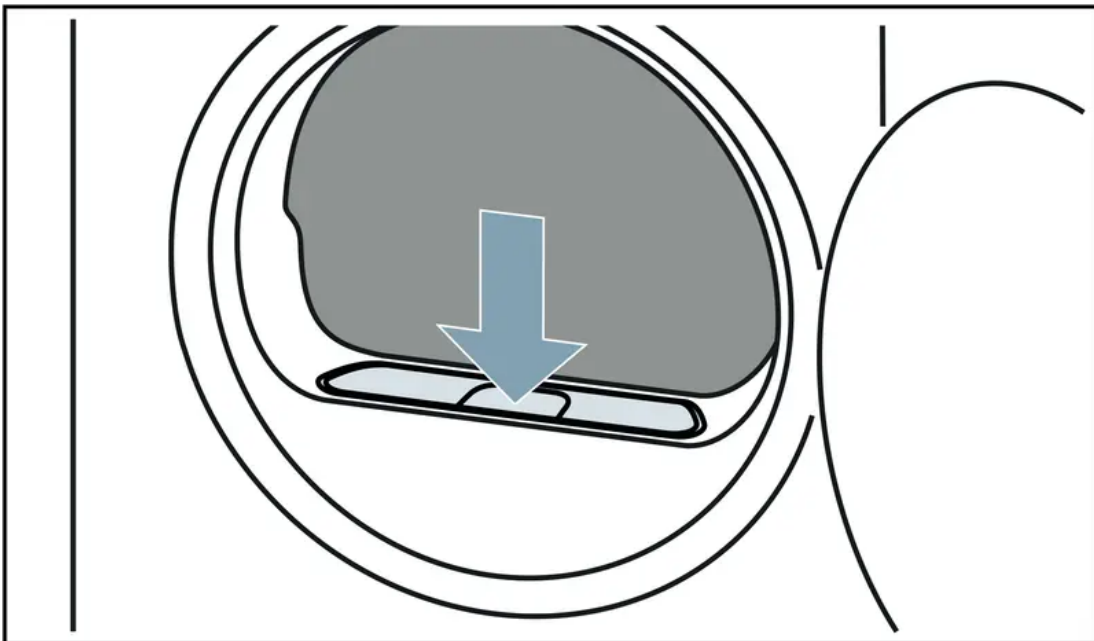
6. Remove all fluff from both parts of the filter.



7. Rinse off fluff under warm, running water.



8. Dry the two parts of the fluff filter, snap them shut and reinsert the filter.



Caution! Material damage/damage to the appliance

If you operate the appliance without a fluff catcher (e.g. fluff filter, fluff depot, depending on appliance specifications), or if the fluff catcher is incomplete or defective, this may result in damage to the appliance.

Do not operate the appliance without a fluff catcher, or with a fluff catcher that is incomplete or defective.

Cleaning and maintenance

Cleaning the appliance

Warning - Risk of death!

The appliance is powered by electricity. There is a risk of electric shock if you come into contact with live components. Therefore please note:

- Switch off the appliance. Disconnect the appliance from the power supply (pull out the plug).
- Never take hold of the mains plug with wet hands.
- When removing the mains plug from the socket, always take hold of the plug itself and never the mains cable, otherwise this may damage the mains cable.
- Do not make any technical modifications to the appliance or its features.
- Repairs and any other work on the appliance must only be conducted by our customer service or by an electrician. The same applies for replacing the mains cable (when necessary).
- Spare mains cables can be ordered from our customer service.

Warning - Risk of poisoning!

Poisonous fumes may be given off by cleaning agents that contain solvents, e.g. cleaning solvent. Do not use cleaning agents that contain solvents.

Warning - Risk of electric shock/material damage/damage to the appliance!

If moisture penetrates the appliance, this may cause it to short circuit.

Do not use a pressure washer, steam cleaner, hose or spray gun to clean your appliance.

Caution! Material damage/damage to the appliance

Cleaning agents and agents for pretreating laundry (e.g. stain removers, prewash sprays, etc.) may cause damage if they come into contact with the surfaces of the appliance. Therefore please note:

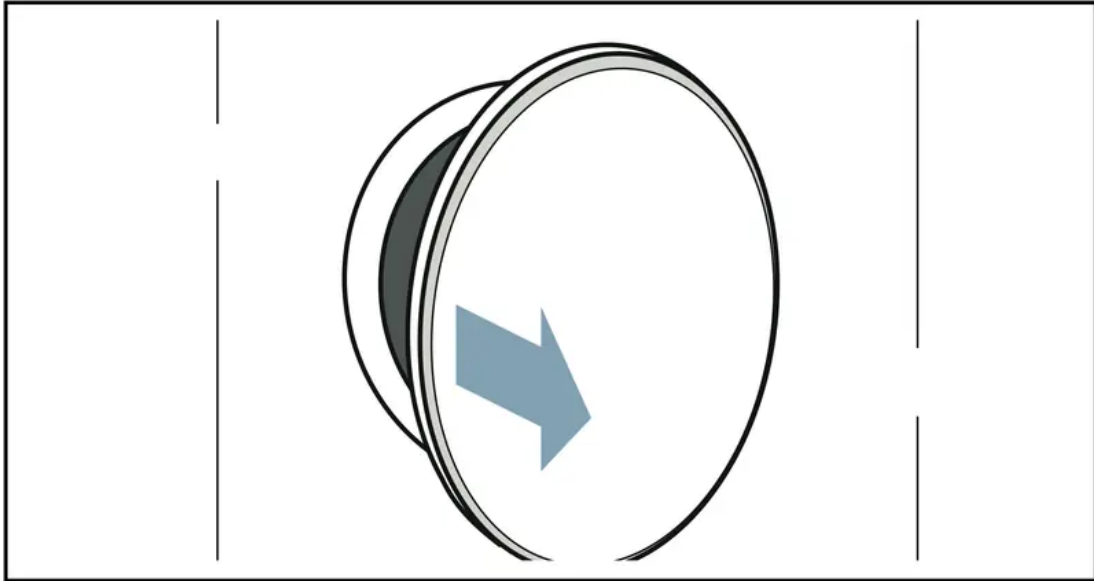
- Do not allow these agents to come into contact with the surfaces of the appliance.
- Clean the appliance with nothing but water and a soft, damp cloth.
- Remove any detergent, spray or other residues immediately.

Cleaning the moisture sensor

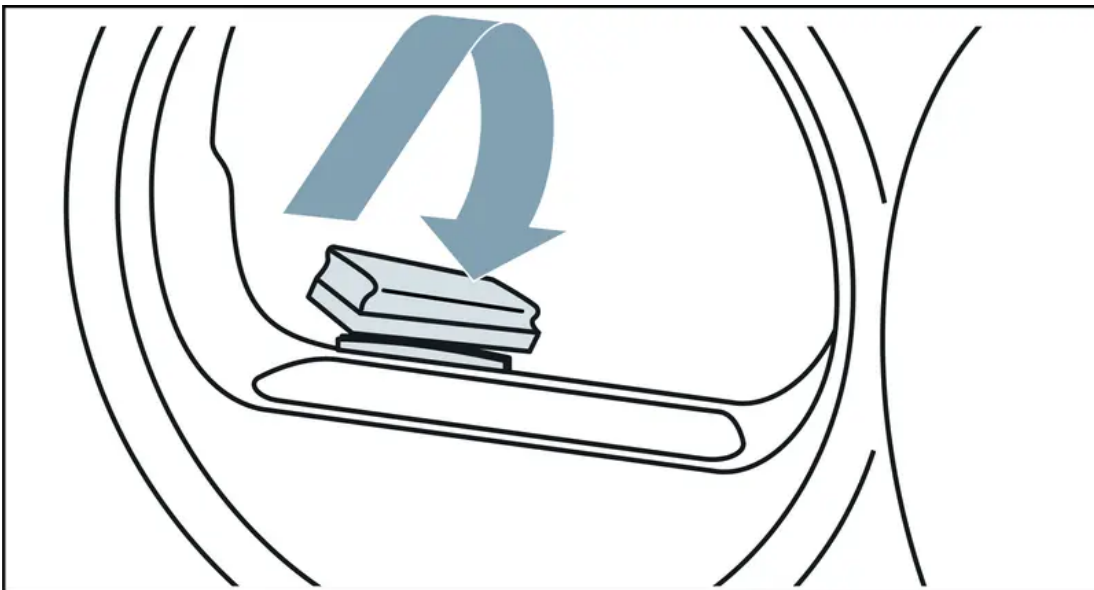
Note: The moisture sensor measures the amount of moisture in the laundry. After long periods of usage, the moisture sensor may become covered by a fine layer of limescale or detergent and

care product residue. These deposits must be removed regularly, otherwise the drying results may not be optimal.

1. Open the door.



2. Clean the moisture sensor with a rough sponge.




Caution! Risk of damaging the moisture sensor.

The moisture sensor is made from stainless steel. Do not clean the sensor with abrasive cleaning products or wire wool.

Cleaning the base unit

Fluff and hair from the laundry collect in the base unit during drying. Clean the appliance's base

unit if the following message appears in the display: 

You can also clean the appliance's base unit even if this message does not appear in the display, e.g. if there is visible soiling.

Warning - Risk of injury!

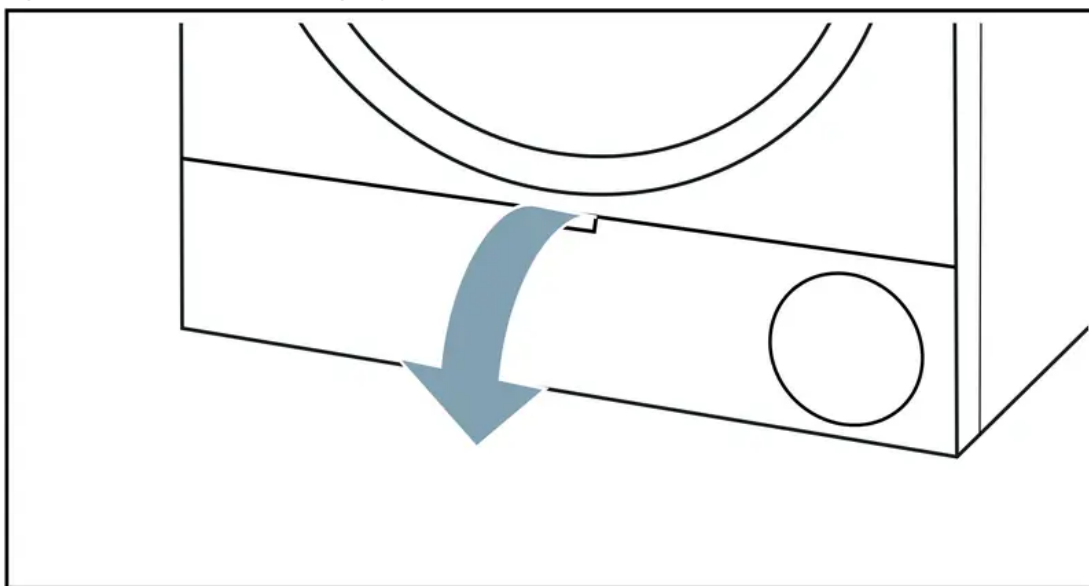
You could cut your hands on the sharp fins on the heat exchanger.

Do not touch the fins on the heat exchanger with your hands.

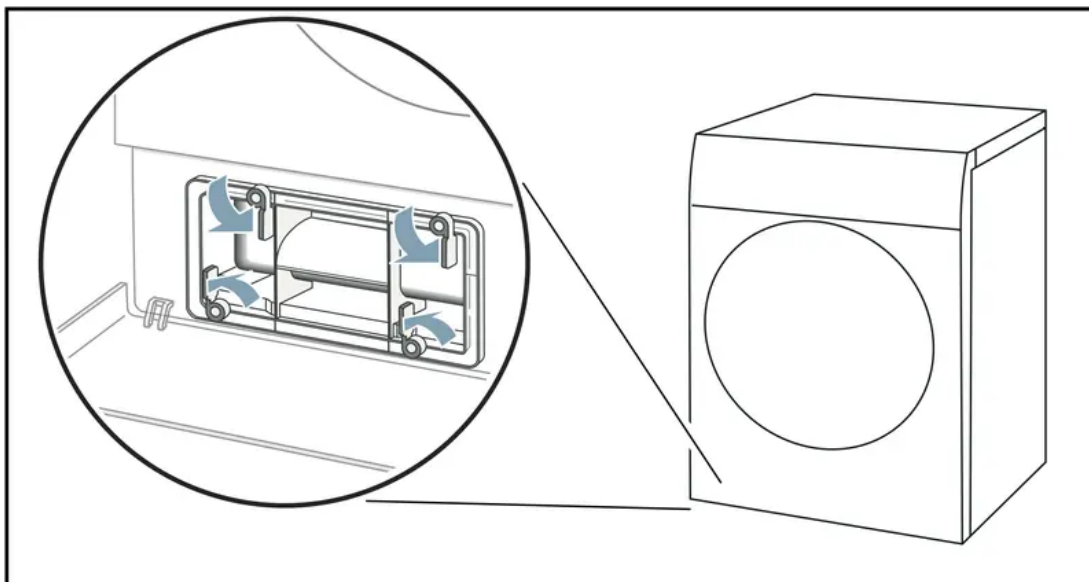
Note: Allow the appliance to cool down for approximately 30 minutes after use before commencing cleaning.

Clean the base unit as follows:

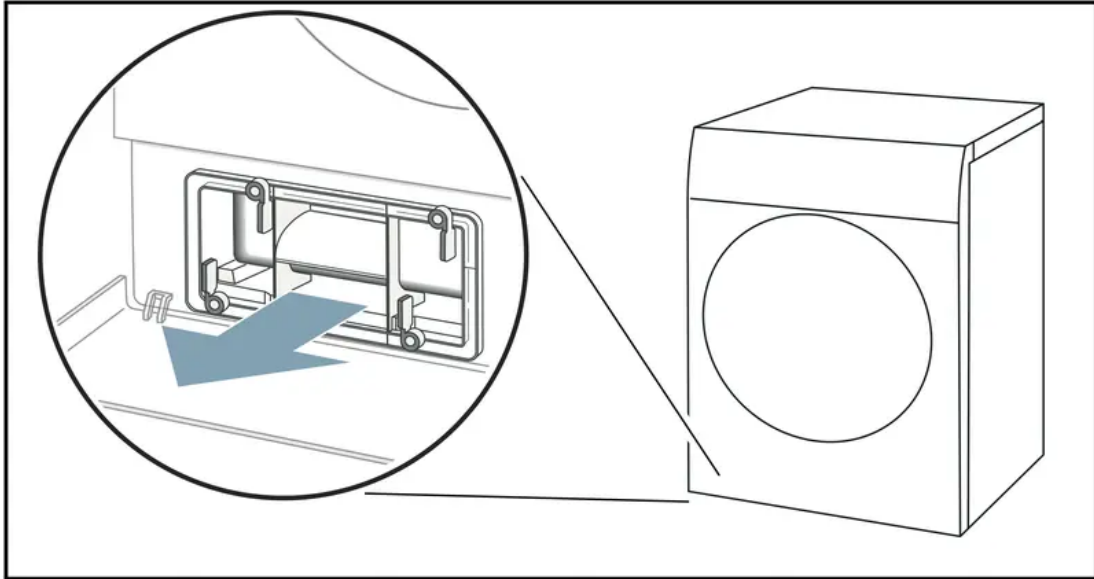
1. Clean the fluff filter.
2. Open the maintenance flap by the handle.



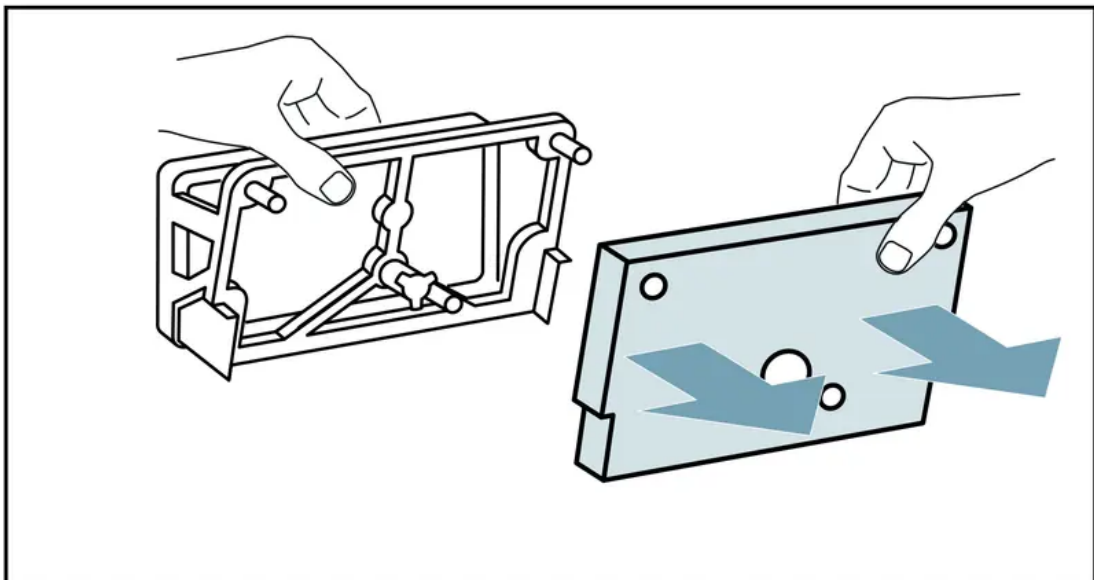
3. Unlock the levers on the heat exchanger cover.



4. Pull the heat exchanger cover out by its grip.



5. Carefully remove the filter mat from the heat exchanger cover.

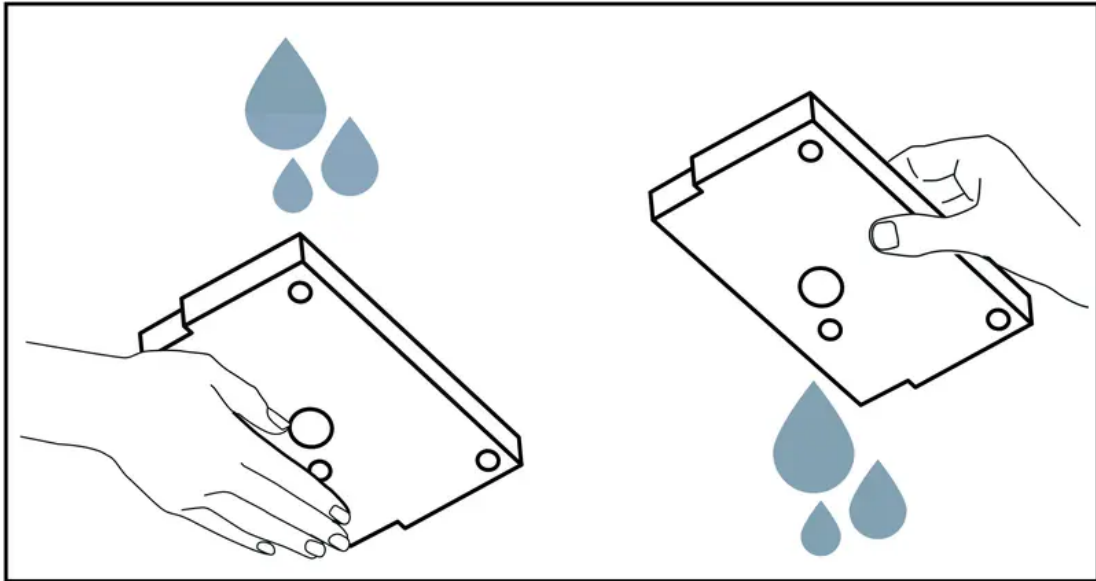


Note: Take care not to damage the filter mat when doing this.

6. Use a soft brush to clean the heat exchanger cover.

Note: Make sure that no dirt or debris is left on the seal.

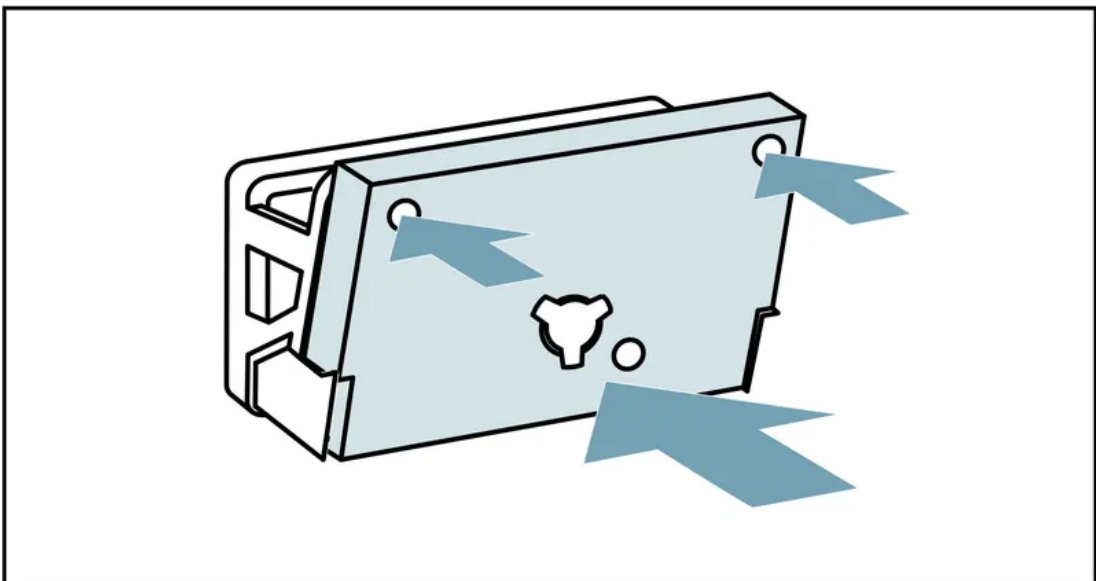
7. Rinse the filter mat under running water and squeeze out the water with your hand.



Notes:

If there are heavy deposits, you can clean the filter mat carefully with a vacuum cleaner. Only clean with clear water; do not use cleaning products.

8. Position the filter mat fully on the retainers in the heat exchanger cover.

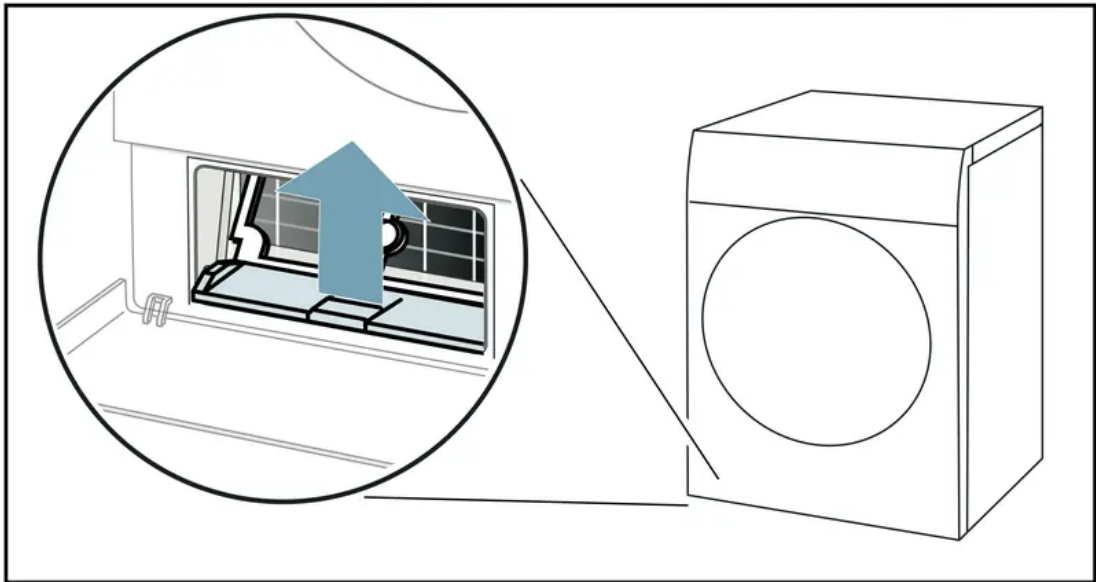


Notes:

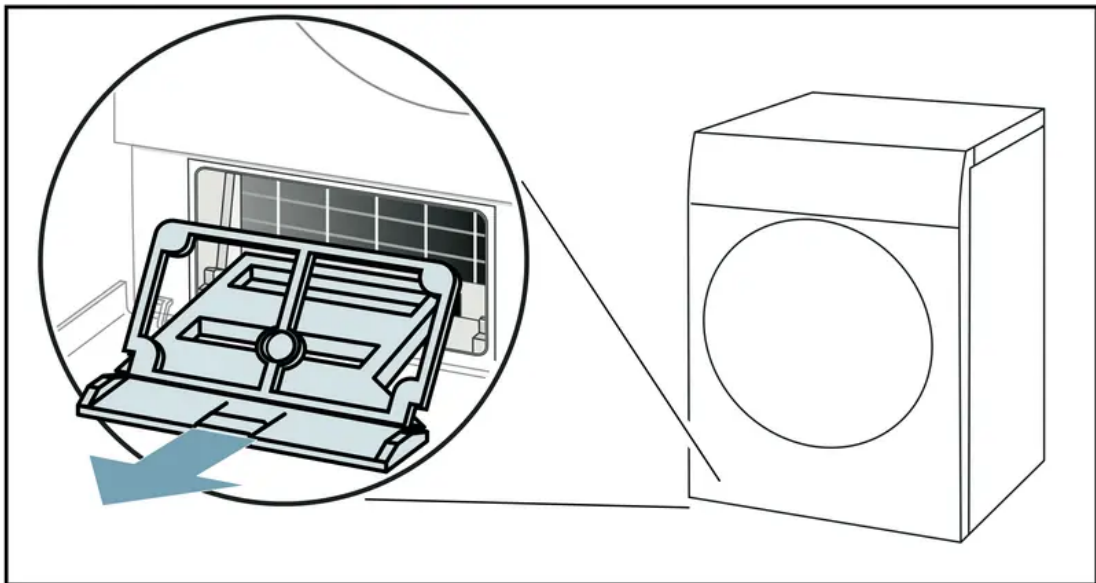
Ensure that the filter mat is clean and dry, and positioned on the retainers as shown. The filter mat must not be put back if misshapen, damaged or reversed.

You can order a new filter mat from our after-sale services using the spare part number: **12022801**. Contact information for all countries can be found in the enclosed aftersales service directory.

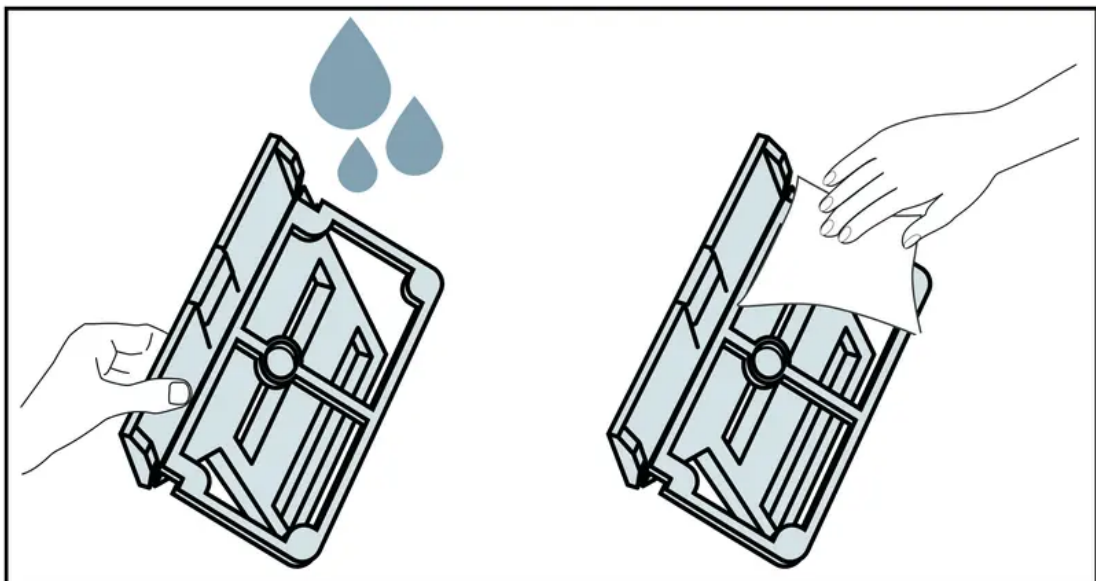
9. If there is visible soiling, carry out the following steps **(optional)**:
Lift the middle tab on the insert slightly.



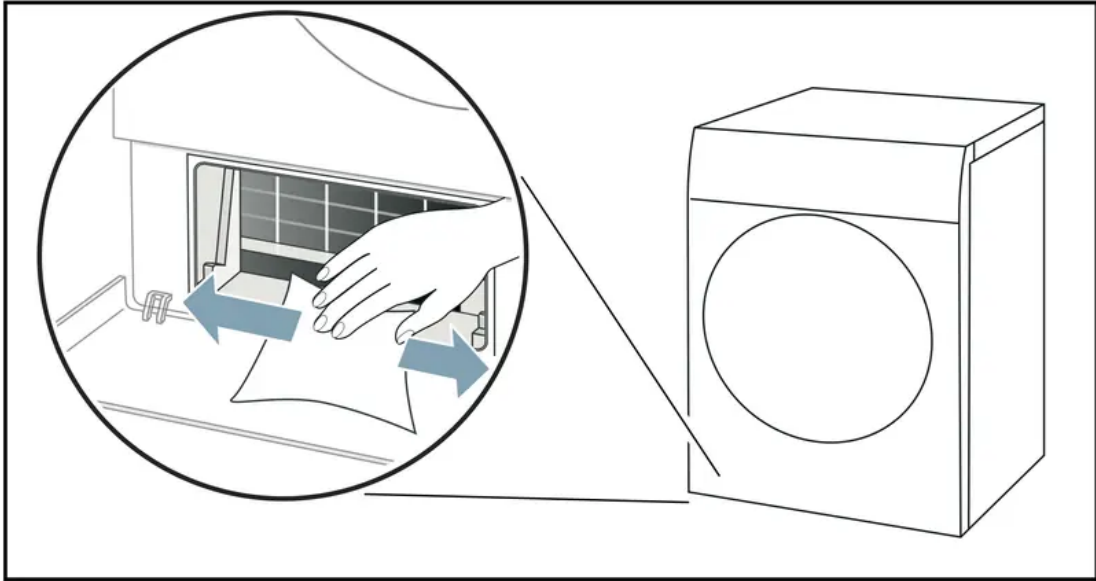
Pull the insert out horizontally.



Rinse the insert under running water and dry it off.

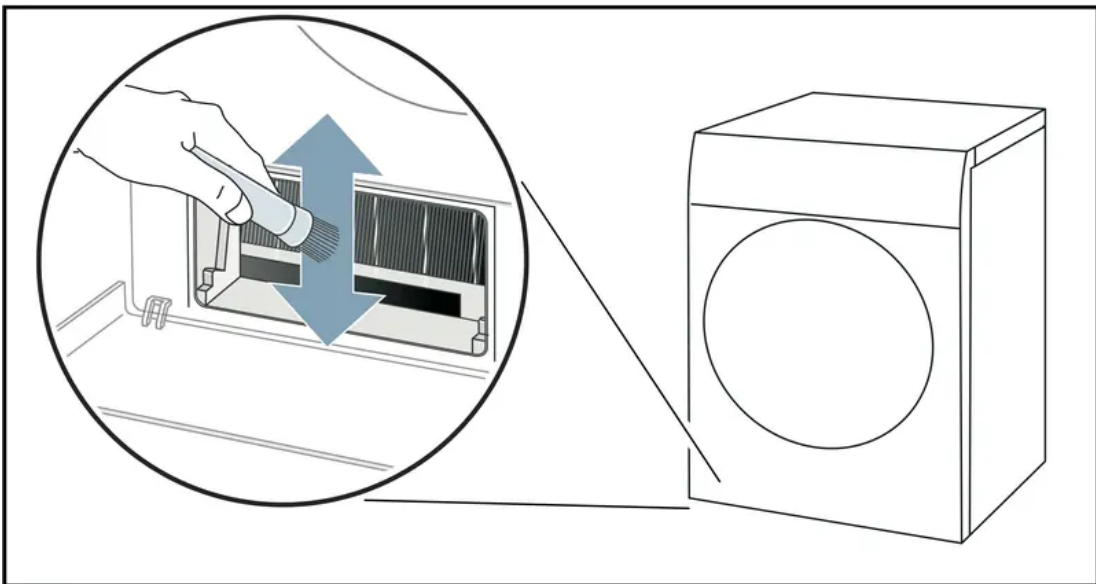


Clean the opening in the appliance with a soft, damp cloth.



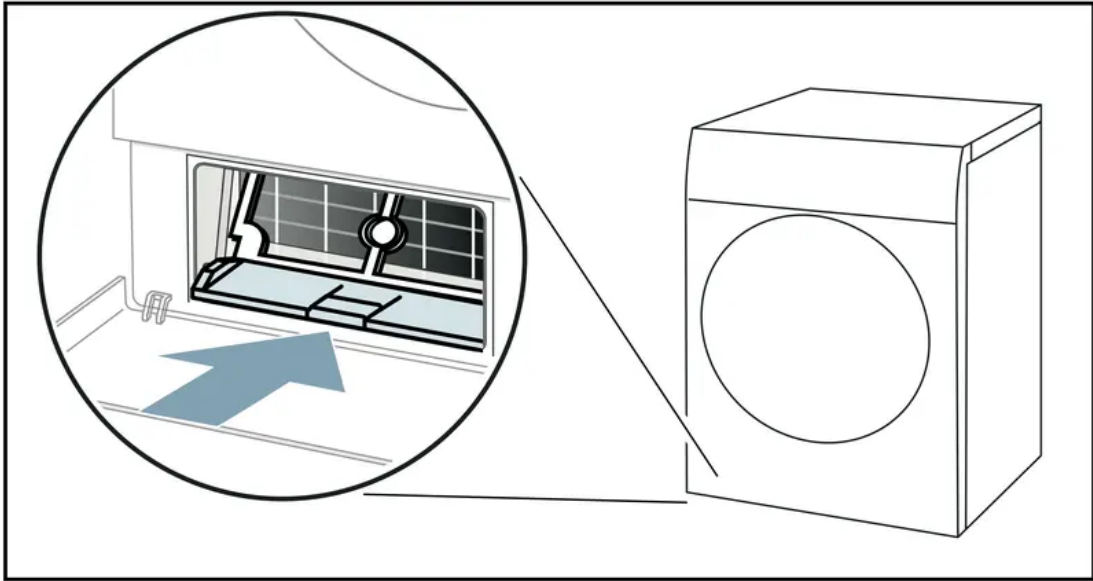
Note: Take care not to damage the heat exchanger, as it is exposed.

Carefully clean the fins on the heat exchanger with a vacuum cleaner and brush attachment.

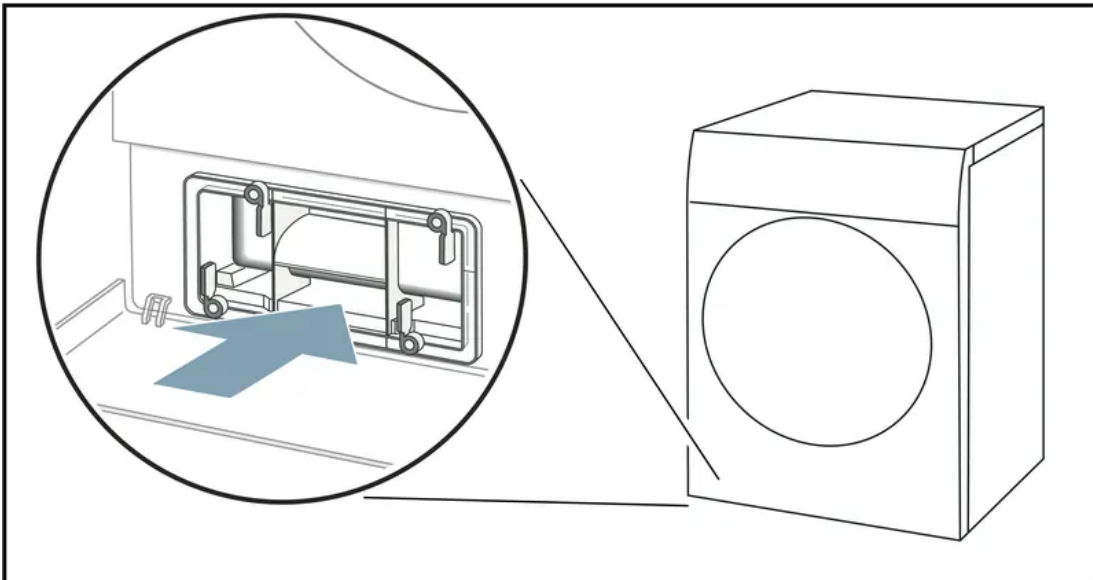


Note: Always clean the fins on the heat exchanger from top to bottom, taking care not to bend or damage them.

Push the insert in horizontally until you hear the tab click into place.

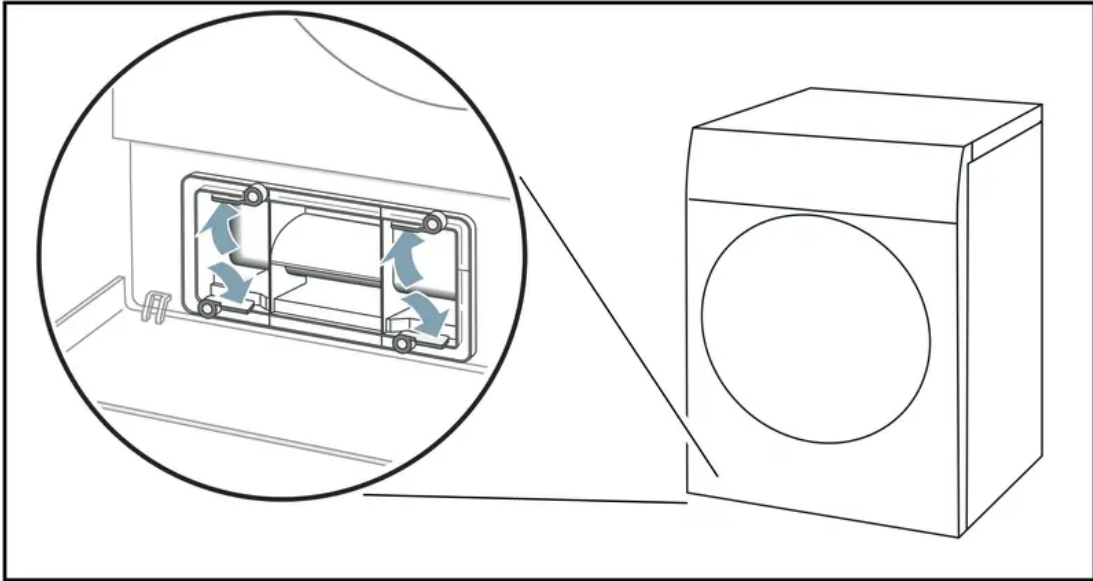


10. Slide the heat exchanger cover in by its grip.

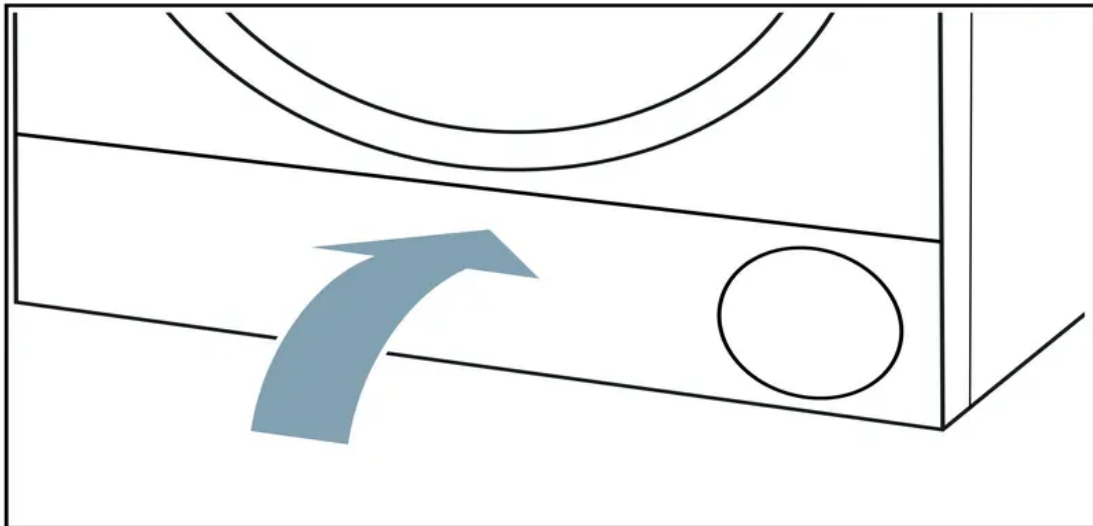


Note: You can only slide the heat exchanger cover in if the insert is in the appliance.

11. Lock the levers on the heat exchanger cover.






12. Close the maintenance flap.



You have now finished cleaning the appliance's base unit.

Help with the appliance

Faults	Cause/Remedy
Appliance does not start	<ul style="list-style-type: none"> • Check the mains plug and the fuses.
Creasing.	<ul style="list-style-type: none"> • Load exceeded or incorrect programme selected for a type of fabric. All the required information can be found in the programme table. Page 23 • Remove laundry from the drum as soon as the drying programme has finished. Creasing occurs when clothing is left in the drum.
Water is leaking out.	<ul style="list-style-type: none"> • The appliance may be positioned at an angle. Level the appliance. • In the base unit, make sure that: <ul style="list-style-type: none"> ◦ The heat exchanger cover is properly locked. ◦ There is no dirt or debris on the heat exchanger cover's seal. Page 40 • If the optional drain hose* is installed, make sure that the drain hose is correctly connected. Page 36
The appliance is paused but the drum is turning.	<ul style="list-style-type: none"> • The appliance has detected a high temperature and has started the CoolDown process. Temperature regulation can take up to 10 minutes. You can cancel the CoolDown process at any time by opening the door.
The programme does not start	<p>Make sure that:</p> <ul style="list-style-type: none"> • The door is closed • The  3 sec. (child lock 3 sec.) has been deactivated • You have pressed Start/Pause  <p>Note: If the programme has been delayed by setting Finished in , the programme starts at a later point.</p>

Faults	Cause/Remedy
<p>Programme duration displayed changes as drying progresses.</p>	<ul style="list-style-type: none"> • Not a fault. The moisture sensor measures the residual moisture in the laundry and adjusts the programme duration (with the exception of timed programmes).
<p>Laundry is not dried properly or is still too damp.</p>	<ul style="list-style-type: none"> • After the programme has ended, warm laundry feels damper than it actually is. Spread out the laundry and let it cool down. • Adjust the drying time or increase the degree of dryness. This will extend the drying time but the temperature will remain the same. • Select a timed programme to add extra drying time for laundry that is still damp. • Select timed program for a small load and individual items of laundry. • Do not exceed the maximum load for a programme. Page 23 • Clean the moisture sensor in the drum. The sensor may become covered in a fine layer of limescale or detergent and care product residue, which then impairs its performance. Page 40 • Drying has been interrupted as a result of a power cut, because the condensation container is full or because the maximum drying time has been exceeded. <p>Note: See also the laundry tips.~ Page 26</p>
<p>Humidity in the room is increasing.</p>	<ul style="list-style-type: none"> • Make sure the room is sufficiently ventilated.
<p>Unusual noises when drying.</p>	<ul style="list-style-type: none"> • When drying is in progress, the pump and compressor generate noise when operating normally. This does not indicate that the appliance is malfunctioning.
<p>The appliance feels cold despite drying.</p>	<ul style="list-style-type: none"> • Not a fault. The appliance can dry effectively at low temperatures using a heat pump.

Faults	Cause/Remedy
Drying programme is stopped.	<ul style="list-style-type: none"> • If the drying programme is stopped due to a power failure, restart the programme or remove the laundry and spread it out.
Drying is taking too long.	<ul style="list-style-type: none"> • The appliance may have fluff in it. This will increase the required drying time. <ul style="list-style-type: none"> ◦ Remove the fluff. Page 31 ◦ Clean the base unit. Page 40 • The heat exchanger may have fluff in it. If you can see fluff in the exposed heat exchanger, clean it carefully using a vacuum cleaner. Page 40 • If the air inlet on the appliance is blocked or not fully open, this may increase the drying time. Make sure that the air inlet remains unobstructed. • If the ambient temperature is lower than 15°C or higher than 30°C, this may increase the drying time. • Inadequate air circulation in the room may increase the drying time. Make sure the room is adequately ventilated.

Note: If you cannot rectify the fault yourself by turning the appliance off and then on again, please contact our after-sales service. Page 49

Warning

This content is compiled from multiple sources and is provided for reference purposes only. It may not be complete or fully applicable to all situations. If you are unable to resolve your issue, please contact the product manufacturer or an authorized service provider for official support.

