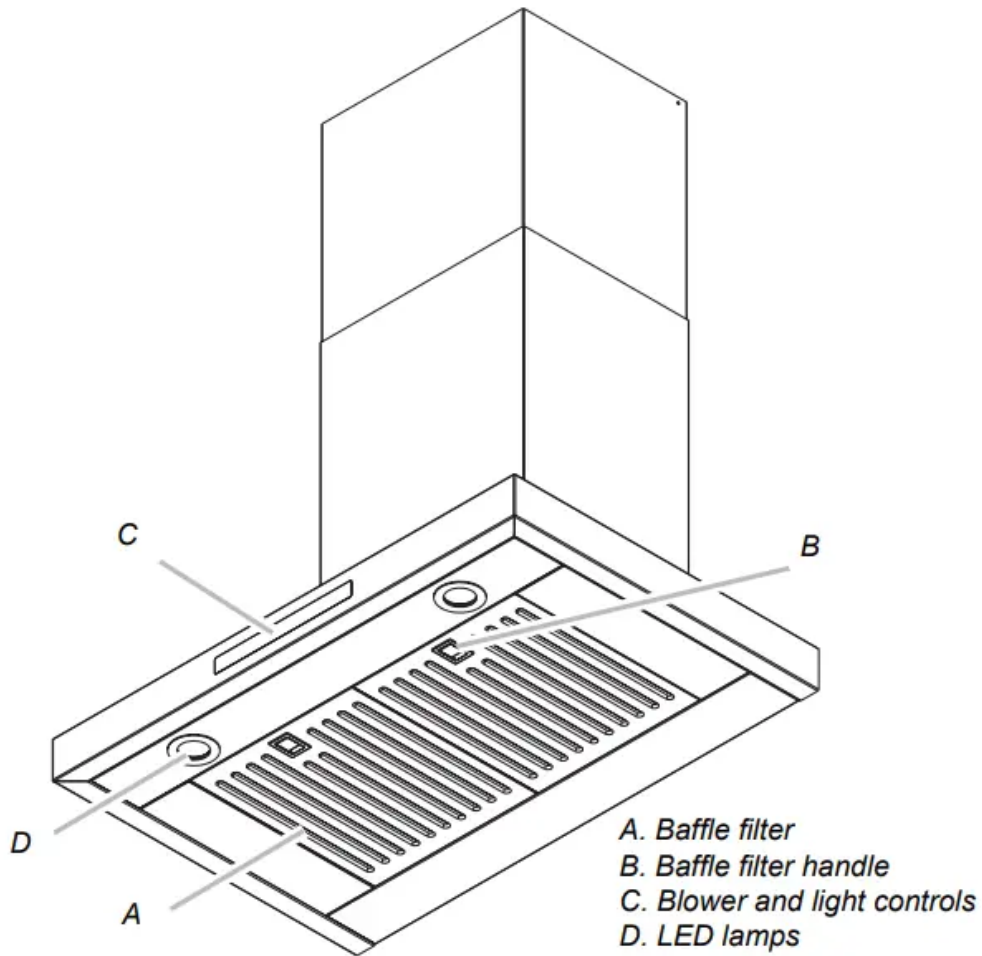


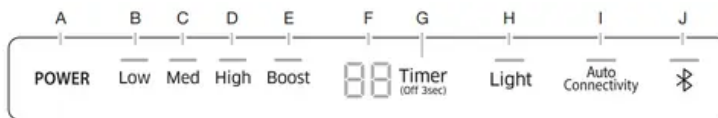
Range Hood Use

Range Hood Description

The range hood is designed to remove smoke, cooking vapors, and odors from the cooktop area. For best results, start the hood before cooking and allow it to operate several minutes after cooking is complete to clear all smoke and odors from the kitchen. The hood controls are located on the front side.



Range Hood Controls



- A. Power
- B. Low Speed
- C. Medium Speed
- D. High Speed
- E. Boost Speed
- F. Timer Display
- G. Timer
- H. Light
- I. Auto Connectivity
- J. Bluetooth

POWER

- Press the POWER button and the hood will be activated at default speed (Default Speed : Low).
- Press again and the hood will return to sleep mode.

LOW

- Press the LOW button and the hood will be activated at Low speed.

MED

- Press the MED button and the hood will be activated at Medium speed.

HIGH

- Press the HIGH button and the hood will be activated at High speed.

BOOST

- Press the BOOST button and the hood will be activated at Maximum speed for 10 minutes.
- After 10 minutes, the hood will slow to High speed.
- **Normal mode:**

High & Boost CFM is same (390CFM).

- **Power mode:**

High mode is 390 CFM and Boost mode is 600 CFM. Please refer to CFM Conversion.

Timer Display

- Shows the timer settings.

Timer

Setting the timer ON

- Press the Timer button to set the working time.
- Each time you press the Timer, you add 10 minutes to the displayed time, up to a maximum of 99 minutes. The hood will stay on for the amount of time you have set.
- After the Timer counts down to zero, the Timer LED light will start to blink.
- The Timer LED will blink for 5 seconds, and then the hood will turn off automatically.

Setting the timer OFF

- Press the Timer button for 3 seconds and the Timer function will turn off.

Light

- Press the Light button and the lamps will turn on.
- Press the Light button again and the lamps will turn off.

Sound

Muting / Unmuting the hood.

- Press and hold the Light button for 3 seconds to turn off the hood sounds.
- Press and hold again to turn on the sounds.

COOKTOP AND RANGE HOOD CONNECTIVITY

This appliance has a feature which allows you to pair compatible Samsung cooktops and your hood via Bluetooth.

After you enable this function and pair your hood and a compatible cook-top, the hood fan will automatically come on at Low speed when you turn on a cooktop element. The hood fan will also shut off automatically when you turn off the cooktop elements.

In addition, after the hood and compatible cooktop are paired, you can download the Samsung Smart Home app to a mobile device, and then use the Samsung Smart Home app to:

- Monitor and control the On/Off status of the hood.
- Monitor and control the fan speed.
- Monitor and control the lights.
- Set the hood shut-off timer with the time-up alarm.

For more information about downloading the Samsung Smart Home app to your mobile device and using it to control your hood, visit:

- www.samsung.com.

Bluetooth connection (Pairing)

1. Press the Bluetooth button on hood. The pairing mode will be activated and the indicator on the Bluetooth button will blink.
2. Press the Bluetooth button on cooktop.

NOTE

For a detailed description of the pairing method, see the user manual of a compatible Samsung cooktop.

3. After the pairing process finishes, the Bluetooth light will stay lit and appears in the display.

Bluetooth disconnection (Pairing reset)

1. Press and hold the Bluetooth button on the hood for 3 seconds.
2. The Bluetooth connection disconnects.




Auto Connectivity

The Auto Connectivity function lets you quickly connect the hood via Bluetooth with a compatible Samsung cooktop after the hood and cook-top have been paired. To turn the function on, press the

Auto Connectivity button. To turn the function off and disconnect the hood and cooktop, press the Auto Connectivity button again.

While the hood and cooktop are connected, the hood fan will automatically come on at Low speed when you turn on a cooktop element. The hood fan will also shut off automatically when you turn off the cooktop elements. You will also be able to control the hood with the Samsung Smart Home app as described above.

1. Press the Auto Connectivity button to activate the function.
2. The hood will turn on/off automatically following the cooktop.
3. Press again to deactivate the function

Image	Remote Control by Samsung Smart Home App	Auto Connectivity	Hood Function
Auto Connectivity 	X	X	O
Auto Connectivity 	O	X	O
Auto Connectivity 	O	O	O

NOTE

These functions are only available if you have installed a compatible Samsung Bluetooth cooktop.

Performance (CFM) Conversion

- Press and hold the HIGH and BOOST button on the hood for 3 seconds to convert Blower performance.
- Normal mode: appears in the display. The blower will operate normally (Max 390 CFM).
- Power mode: appears in the display. The blower will operate powerfully (Max 600 CFM).

CAUTION

- Do not activate this function without qualified person. We recommend that a qualified technician install the range hood. It is the installer’s responsibility to ensure the range hood complies with the installation clearances specified for the product. To activate Power mode of this function, the Make-up air system is required.

Makeup Air

- When using ventilation systems with greater than specified CFM of air movement, review local building codes as they may require makeup air systems. Consult a HVAC professional for specific requirements for you’re area as CFM requirements can vary between locales.



- Consult a HVAC professional to select the correct CFM capacity range hood for your application. The CFM capacity depends on the range or cooktop BTU rating, size and location, size of the kitchen and the range hood ductwork in the kitchen.

Range Hood Care

Range Hood Care

Cleaning

IMPORTANT: Clean the hood and baffle filters frequently according to the following instructions. Replace the baffle filters before operating the hood.

Exterior Surfaces:

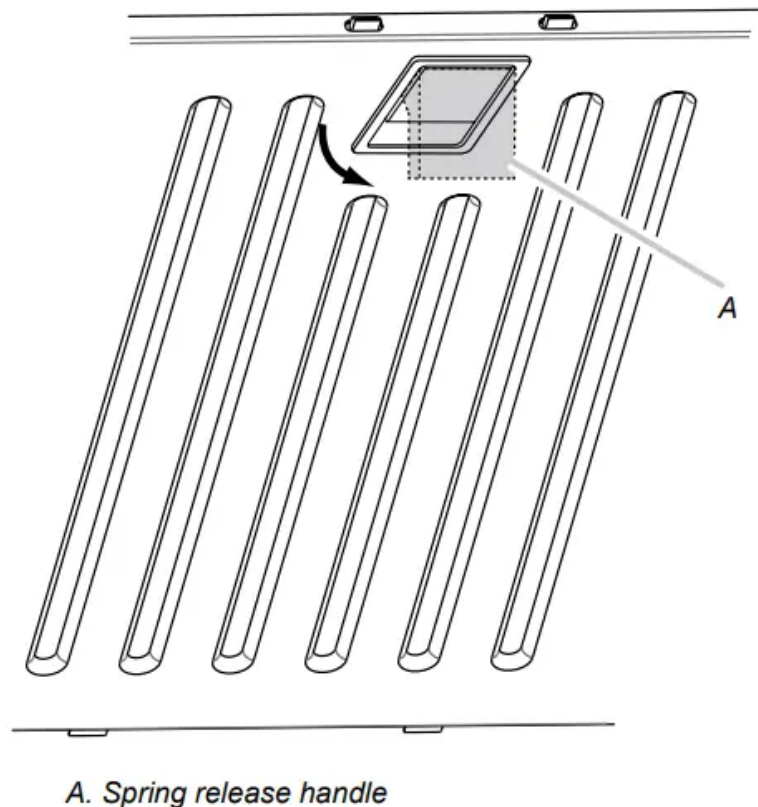
To avoid damage to the exterior surface, do not use steel wool or soap filled scouring pads to clean the hood. Always wipe dry to avoid water marks.

Cleaning Method:

- Liquid detergent soap and water or all-purpose cleanser
- Wipe with a damp soft cloth or nonabrasive sponge, then rinse with clean water and wipe dry.
- Do not use cleaning agents containing bleach.

Stainless Steel Baffle Filter:

1. Remove the filter by pulling the spring release handle, and then pulling down the filter.



2. Wash the stainless steel baffle filter as needed in your dishwasher or a hot detergent solution.
3. To reinstall the filter, first make sure the spring release handles are toward the front. Insert the stainless steel filter into the upper track.
4. Push in the spring release handle.
5. Push up on the stainless steel filter, and then release the handle to latch the filter into place.

WARNING

When removing the filter, please hold it with both hands to make sure it does not fall.

Replacing an LED Lamp

The LED lights are replaceable by a service technician only. See the support contact information in the Warranty section.

Replacing the charcoal filter

After approximately one year of use, the charcoal filter should be replaced with a new one, as the odour reduction capacity will be reduced.

NOTE

Charcoal filters are not included with the hood. They must be ordered from your supplier or

Samsung service center.

Order the needed kit specifying your hood model and width size.

Warning

This content is compiled from multiple sources and is provided for reference purposes only. It may not be complete or fully applicable to all situations. If you are unable to resolve your issue, please contact the product manufacturer or an authorized service provider for official support.

Document generated by [ManualsFile](#)

