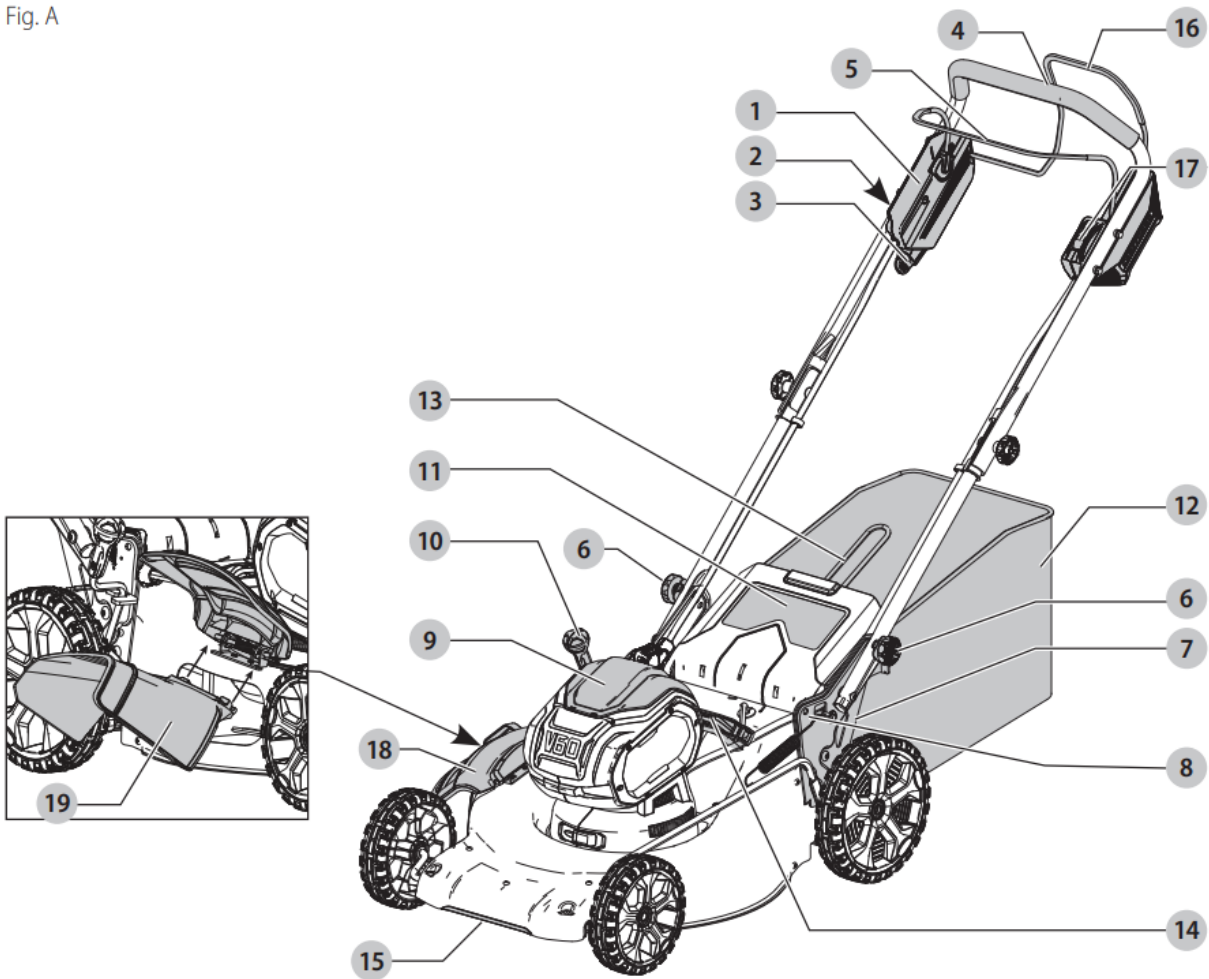


COMPONENTS

Fig. A



1. ON-OFF Switch box
2. ON-OFF button
3. Safety key
4. Handle
5. Bail handle
6. Handle locks
7. Handle brackets
8. Handle storage detent holes
9. Battery port cover
10. Cut height adjust lever
11. Rear door cover
12. Grass collection bag

13. Grass collection bag handle
14. Upper carrying handle
15. Lower carrying handle
16. Self drive bail handle
17. Self drive speed lever
18. Side flap
19. Side discharge attachment

Preparation Before Operating

1. Clear the operating area of any objects which could be thrown by or interfere with operation of the machine.
2. Keep the area of operation clear of all bystanders, particularly small children. Stop the machine and attachment(s) if anyone enters the area.
3. Do not operate the machine without the entire grass catcher, discharge chute, or other safety devices in place and functioning properly. Check frequently for signs of wear or deterioration and replace as needed.
4. Wear appropriate personal protective equipment such as safety glasses, hearing protection, and footwear.

Operating

1. Only operate the machine in daylight or good artificial light.
2. Avoid holes, ruts, bumps, rocks, or other hidden hazards. Uneven terrain could overturn the machine, or cause operator to lose their balance or footing.
3. Do not put hands or feet near rotating parts or under the machine. Keep clear of the discharge opening at all times.
4. Do not direct discharge material toward anyone. Avoid discharging material against a wall or obstruction. Material may ricochet back toward the operator. Stop the blade(s) when crossing gravel surfaces.

Children Specific

1. Tragic accidents can occur if the operator is not alert to the presence of children. Children are often attracted to the machine and the mowing activity. Never assume that children will remain where you last saw them.
2. Keep children out of the operating area and under the watchful care of a responsible adult other than the operator.

Slope Specific

1. Slopes are a major factor related to accidents. Operation on slopes requires extra caution.
2. Travel in the manufacturer recommended direction on slopes. Use caution while operating near dropoffs.
3. Avoid mowing wet grass. (Poor footing could cause a slip and fall accident.)
4. Do not operate machine under any condition where traction, steering, or stability is in question. Mower could slide even if the wheels are stopped.
5. Avoid starting and stopping on slopes. Avoid making sudden changes in speed or direction. Make turns slowly and gradually.
6. Use extra care while operating machine with a grass catcher or other attachment(s). They can affect the stability of the machine.

Service

1. Keep machine in good working order. Replace worn or damaged parts.
2. Use caution when servicing blades. Wrap the blade(s) or wear gloves. Replace damaged blades. Do not repair or alter blade(s).

BATTERIES AND CHARGERS

The battery pack is not fully charged out of the carton. Before using the battery pack and charger, read the safety instructions below and then follow charging procedures outlined. When ordering replacement battery packs, be sure to include the catalog number and voltage.

Battery Pack Cleaning Instructions










Dirt and grease may be removed from the exterior of the battery using a cloth or soft non-metallic brush. Do not use water or any cleaning solutions.

Charging a Battery

NOTE: To ensure maximum performance and life of lithium-ion battery packs, charge the battery pack fully before first use.

1. Plug the charger into an appropriate outlet before inserting battery pack.
2. Connect the charger and battery pack, making sure the battery is fully seated. The (charging) light will blink continuously indicating that the charging process has started.
3. The completion of charge will be indicated by the light remaining ON continuously. The battery pack is fully charged and may be removed and used at this time or left in the charger.

NOTE: To remove the battery pack, some chargers require the battery pack release button to be pressed.

Indicators		
	Charging	 
	Fully Charged	 
	Hot/Cold Pack Delay	 

A charger will not charge a faulty battery pack. The charger refusing to light could indicate a problem with the charger

NOTE: If the charger refuses to light, take the charger and battery pack to be tested at an authorized service center.

Hot/Cold Pack Delay

When the charger detects a battery pack that is too hot or too cold, it automatically starts a Hot/Cold Pack Delay, suspending charging until the battery pack has reached an appropriate temperature. The charger then automatically switches to the pack charging mode. This feature ensures maximum battery pack life.

A cold battery pack may charge at a slower rate than a warm battery pack.

Important Charging Notes

1. Longest life and best performance can be obtained if the battery pack is charged when the air temperature is between 65 °F – 75 °F (18 °C–24 °C). DO NOT charge when the battery pack is below +40 °F (+4.5 °C), or above +104 °F (+40 °C). This is important and will prevent serious damage to the battery pack.
2. The charger and battery pack may become warm to the touch while charging. This is a normal condition, and does not indicate a problem. To facilitate the cooling of the battery pack after use, avoid placing the charger or battery pack in a warm environment such as in a metal shed or an uninsulated trailer.
3. If the battery pack does not charge properly:
 - a. Check operation of receptacle by plugging in a lamp or other appliance;
 - b. Check to see if receptacle is connected to a light switch which turns power off when you turn out the lights;
 - c. Move the charger and battery pack to a location where the surrounding air temperature is approximately 65 °F–75 °F (18 °C–24 °C);
 - d. If charging problems persist, take the tool, battery pack and charger to your local service center.
4. The battery pack should be recharged when it fails to produce sufficient power on jobs which were easily done previously. DO NOT CONTINUE to use under these conditions. Follow the

charging procedure. You may also charge a partially used pack whenever you desire with no adverse effect on the battery pack.

5. Foreign materials of a conductive nature such as, but not limited to, grinding dust, metal chips, steel wool, aluminum foil, or any buildup of metallic particles should be kept away from charger cavities. Always unplug the charger from the power supply when there is no battery pack in the cavity. Unplug the charger before attempting to clean.

6. Do not freeze or immerse the charger in water or any other liquid.

Charger Cleaning Instructions

WARNING: Shock hazard. Disconnect the charger from the AC outlet before cleaning. Dirt and grease may be removed from the exterior of the charger using a cloth or soft non-metallic brush. Do not use water or any cleaning solutions.

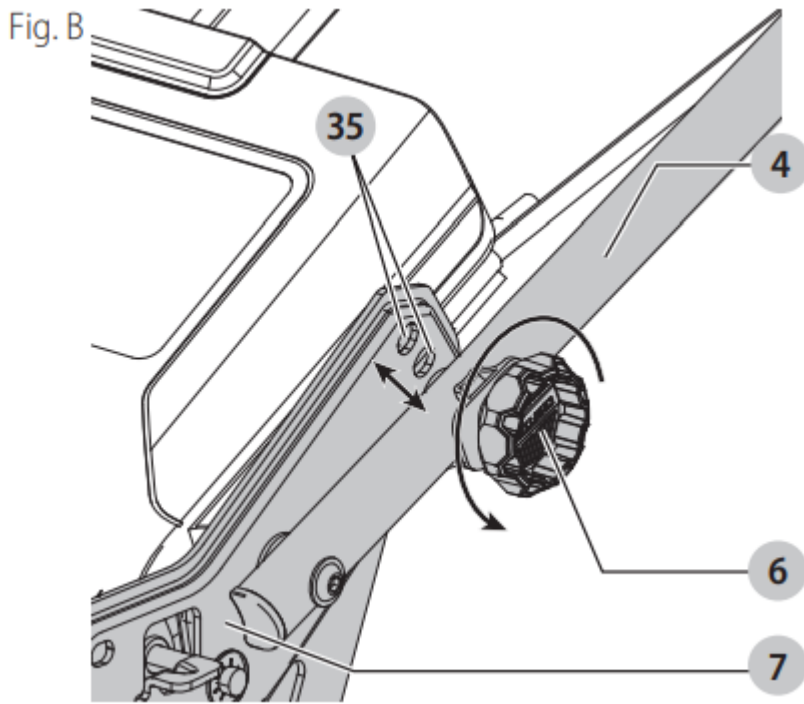
ASSEMBLY

DANGER: To reduce the risk of serious personal injury, turn unit off, remove safety key, and remove battery pack before assembly, making any adjustments or removing/installing attachments or accessories. An accidental start-up can cause injury.

Adjusting Handle Height (Fig. B)

The mower is shipped in storage mode. You will need to adjust the handle to operating position before continuing.

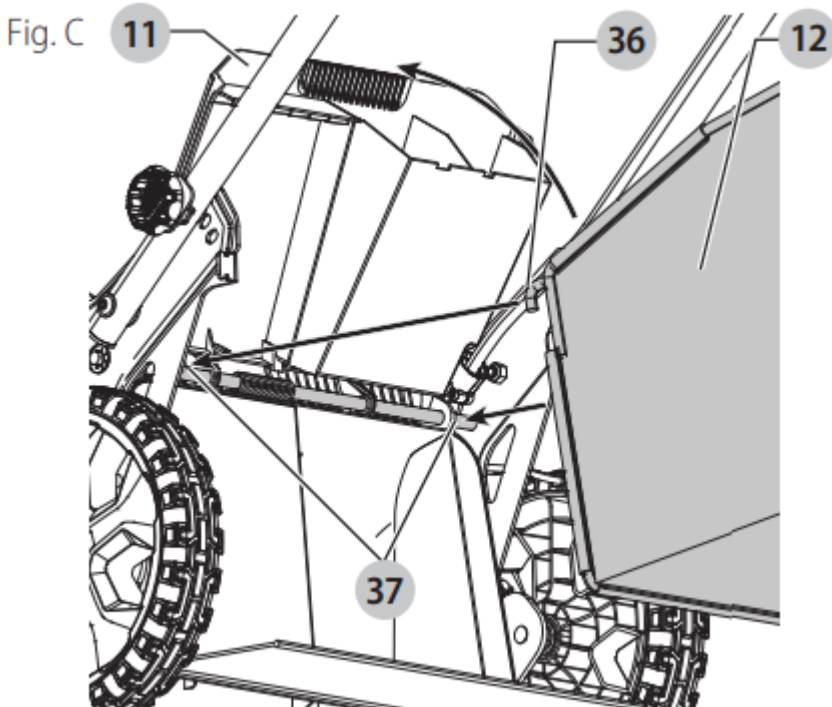
1. To unlock the handle (4) from storage position, twist the two handle locks (6) 90°. The handle locks are located on both sides of the handle as shown in Fig. B.
2. Raise the handle to operating position.
3. Locate the three handle detent holes (35) on the handle brackets (7) as shown in Fig. B.
4. Adjust the handle to the position that best fits the operator and lock the handle in place by twisting the handle locks back 90° and allowing the handle locks (6) to snap into the desired detent holes.



Grass Collection Bag (Fig. C)

DANGER: Remove safety key and battery pack when opening rear door cover and installing bag.

1. Lift the rear door cover (11) and place the grass collection bag (12) onto the mower so the bag hooks (36) rest on the lugs (37) as shown in Fig. C. Then lower the rear door cover.



Side Discharge (Fig. A)

DANGER: Remove safety key and battery pack before removing collection bag.



1. To operate mower in side discharge mode remove the grass collection bag.
2. Be sure rear door cover (11) is down for side discharge.
3. Lift the side flap (18) and hook side discharge attachment 19 onto the mower.
4. Release the side flap and ensure the attachment holds in place before turning mower on.

NOTE: The rear door cover is shaped in such a way that the opening (at the bottom) cannot be completely closed off.

OPERATION

DANGER: To reduce the risk of serious personal injury, turn unit off, remove safety key, and remove battery pack before making any adjustments or removing/installing attachments or accessories. An accidental start-up can cause injury.

Installing and Removing the Battery Pack (Fig. D)

DANGER: MAKE CERTAIN THE SAFETY KEY IS REMOVED TO PREVENT ACTUATION BEFORE REMOVING OR INSTALLING BATTERY.

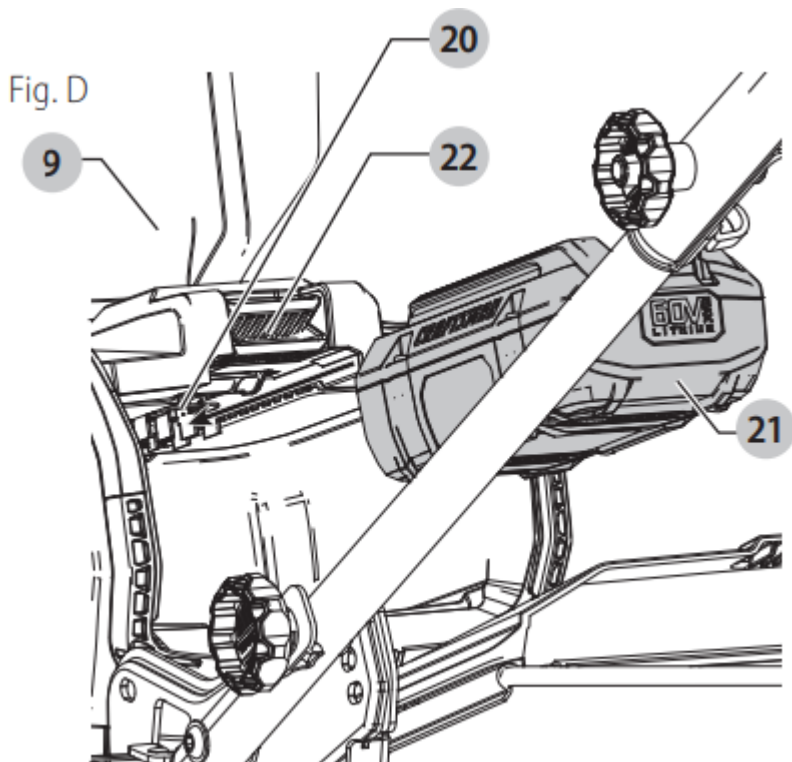
NOTE: For best results, make sure the battery pack is fully charged.

To Install Battery Pack

1. Lift and hold the battery port cover (9) up to expose the battery port (20) .
2. Slide a battery pack (21) into the battery port until an audible click is heard (Fig. D). Make sure the battery pack is fully seated and fully latched into position.
3. Close the battery port cover. Ensure the cover is fully closed before starting mower.

To Remove Battery Pack

1. Open the battery port cover (9) as described above.
2. Depress the battery release button (22) on the mower and pull battery pack (21) out of tool.



DANGER: Sharp moving blade. Do not operate the mower in mulching mode if the rear door and side discharge door are not closed under spring tension as serious injury could result. Take your mower to the nearest service center for repair.

DANGER: Do not operate mower unless handle is locked into position.

DANGER: Sharp moving blade. Never operate the mower in bagging mode unless the hanger hooks on the grass collection bag are seated properly on the mower and the rear discharge door rests firmly against the top of the grass collection bag as serious injury could result.

WARNING: Let the mower work at its own pace. Do not overload.

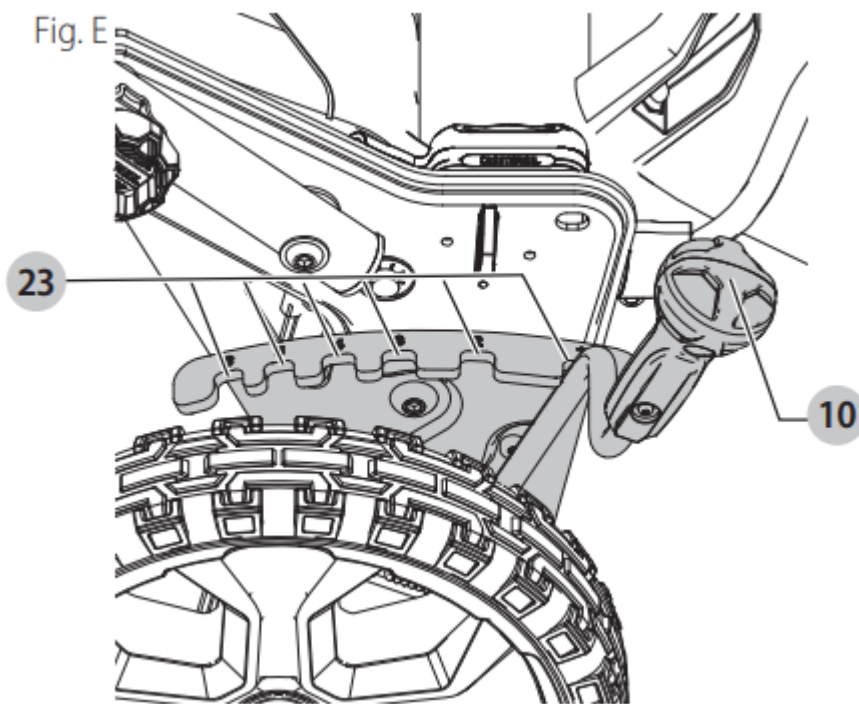
Adjusting Mower Height (Fig. E) T

The height of cut is adjusted by the cut height adjust lever.

NOTE: If you are not sure which height to cut, begin mowing with the cut height adjustment lever (10) positioned towards the rear of the appliance and adjust the height down as needed, as shown in Fig. E.

To Set the Height of Cut

1. Pull the cut height adjustment lever (10) out of the locking notch (23) .
2. Move the lever towards the rear of the appliance to raise the height of cut.
3. Move the lever towards the front of the appliance to lower the height of cut.
4. Push the height adjustment lever into one of the locking notches.



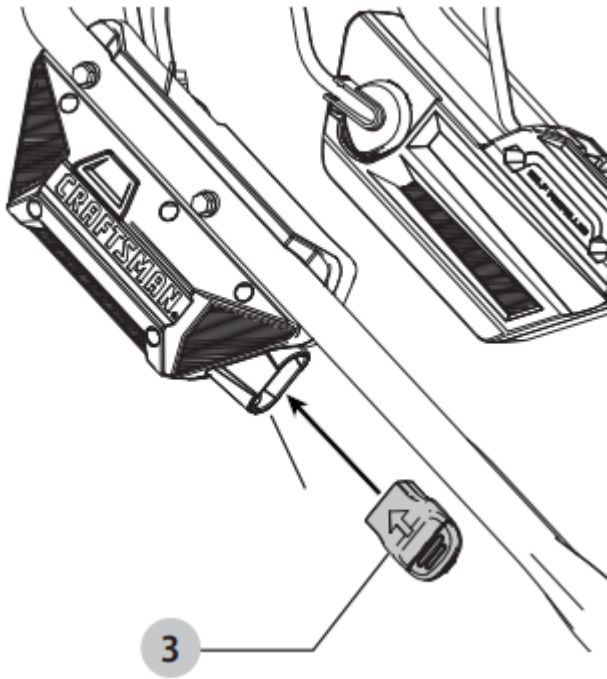
Safety Key (Fig. F)

DANGER: Sharp moving blade. In order to prevent accidental start-up or unauthorized use of your cordless mower, a removable safety key (3) has been incorporated into the design of your mower. The mower will be completely disabled when the safety key has been removed from the mower.

NOTE: The safety key (3) has a tether rope to allow for storage on a nail, out of the reach of children. Do not tether safety key to mower.

DANGER: Rotating blades can cause serious injury. To prevent serious injury, remove safety key and battery pack when unattended, or when charging, cleaning, servicing, transporting, lifting, or storing mower.

Fig. F



Starting Mower (Fig. G)

DANGER: Sharp moving blade. Never attempt to override the operation of this switch box and safety key system as serious injury could result.

NOTE: Mower is operational when battery and safety key are installed.

1. Insert safety key (3) into the ON-OFF switch box (1) until it is fully seated inside housing as shown in Fig. G. The mower is now operational.

2. Your mower is equipped with a special ON-OFF switch box (1). To operate the mower, push and hold the ON-OFF button (2) on the ON-OFF switch box (1), then pull the bail handle (5) to the handlebar as shown in Fig. G. Once the mower starts you can release the ON-OFF button.

3. To turn the mower OFF, release the bail handle (5).

WARNING: Never attempt to lock a switch or bail handle in the ON position.

NOTE: Once the bail handle has returned to the original position it will activate the “Automatic Braking Mechanism”. The blade motor is mechanically braked and the mower blade will stop rotating in three seconds or less.

Variable Speed Self Drive System

WARNING: TO REDUCE THE RISK OF INJURY, NEVER ATTEMPT TO OVERRIDE THE OPERATION OF THE SWITCH OR SELF DRIVE SYSTEM. USE THE SELF DRIVE FOR ITS INTENDED PURPOSE ONLY.

Your mower is equipped with variable speed self drive. This system is independent from the blade ON-OFF switch. It can be used with or without the blade spinning. For example, when you have

completed cutting your lawn, you can use the self drive to propel the mower back to your storage location without having the blade motor on.

To operate the system without blade spinning:

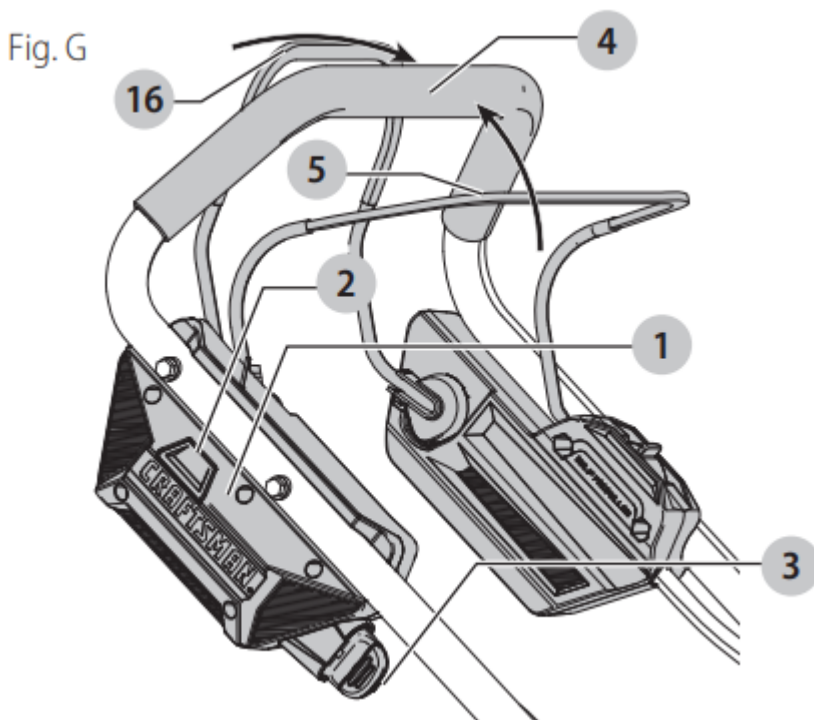
1. Insert safety key (3) into the ON-OFF switch box (1) until it is fully seated inside housing as shown in Fig. G. The mower is now operational.
2. Push the self drive bail handle 16 to the handle (4) .
3. To turn the self drive off, release the self drive bail handle.

To operate with the blade spinning:

1. Insert safety key (3) into the ON-OFF switch box (1) until it is fully seated inside housing as shown in Fig. G. The mower is now operational.
2. Push and hold the ON-OFF button (2) on the ON-OFF switch box (1) , then pull the bail handle (5) to the handlebar as shown in Fig. G.
3. Hold blade bail handle in place against handlebar with right hand. Now push the self drive bail handle (16) to the handlebar with your left hand.
4. You can hold both bail bars simultaneously against the handlebar with your left hand.

NOTE: When you turn off the self drive, for example at the end of a row, the wheels may become temporarily locked if you pull backwards on the mower. Simply push ahead slightly and then move the mower as required.

NOTE: During cutting, at times it may be easier to maneuver around an object , such as a tree or plants, with the self drive off. The mower can easily be used with the self drive off.



Mower Overload

To prevent damage due to overload conditions, do not try to remove too much grass at one time. Slow down your cutting pace, or raise the cut height.

Storage (Fig. A, H)

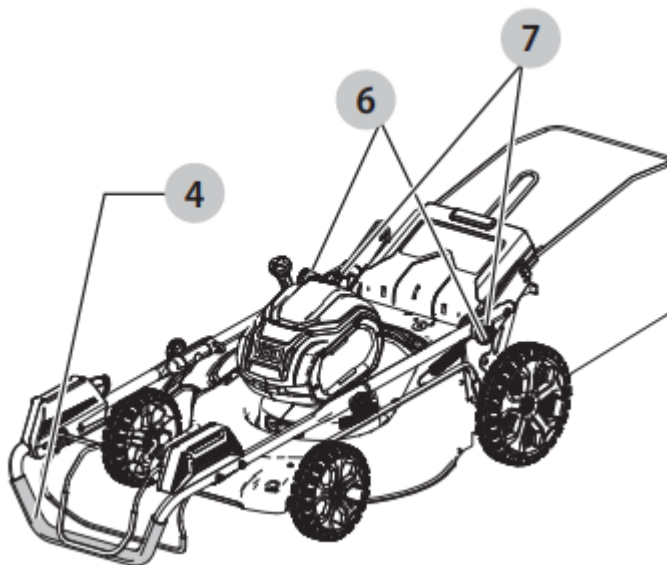
DANGER: Rotating blade can cause serious injury. Release bail handle (5) to turn mower off, remove safety key, and remove battery before lifting, transporting, or storing the mower. Store in a dry place.

CAUTION: Pinch point. To avoid being pinched, keep fingers away from area around handle brackets when folding down handles.

The handle of the mower can be easily folded down for quick and convenient storage.

1. To unlock the handle (4) pull the two handle locks (6) , located on both sides of the handle, and twist a quarter turn.
2. Fold the handle to the front of the mower as shown in Fig. H.
3. Locate the handle storage detent holes 8 located on the handle brackets (7) as shown in Fig. H.
4. Lock the handle in place by untwisting the handle locks (6) allowing them to snap into the storage detent holes and ensure the handle is firmly latched as shown in Fig. H.

Fig. H

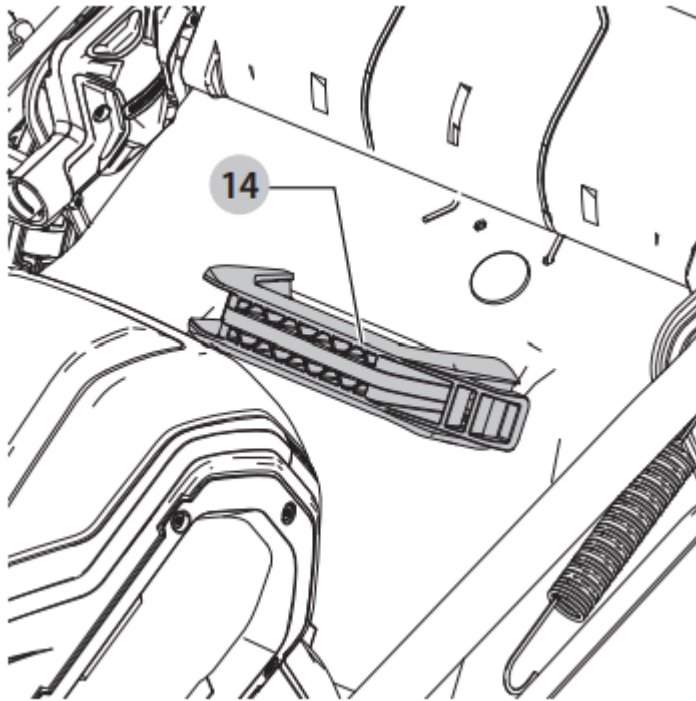


Carrying the Mower (Fig. A, I)

DANGER: Rotating blades can cause serious injury. To prevent serious injury, remove safety key and battery pack when unattended, or when charging, cleaning, servicing, transporting, lifting, or storing mower.

The mower can be carried using the convenient carry handles (14) (15) . DO NOT attempt to lift the mower by grasping the main handle (4) .

Fig. 1



Mowing Tips (Fig. A)

WARNING: ALWAYS INSPECT AREA WHERE MOWER IS TO BE USED AND REMOVE ALL STONES, STICKS, WIRE, BONES, AND OTHER DEBRIS WHICH MIGHT BE THROWN BY THE ROTATING BLADE.

WARNING: Mow across the face of slopes, never up-and-down. Exercise extreme caution when changing direction on slopes. Do not mow excessively steep slopes. Always maintain good footing.

- Release bail handle to turn mower “OFF” when crossing any gravel area (stones can be thrown by the blade).
- Set mower at highest cutting height when mowing in rough ground or in tall weeds. Removing too much grass at one time can cause the blade motor to be overloaded and to stop.
- If a grass collection bag (12) is used during the fast growing season, the grass may tend to clog up at the discharge opening. Release bail handle to turn mower off, remove the safety key and battery pack. Remove the catcher and shake the grass down to the back end of the bag. Also clean out any grass or debris which may be packed around the discharge opening. Replace the grass catcher.
- If mower should start to vibrate abnormally, release bail handle to turn mower off, remove the safety key and battery pack. Check immediately for cause. Vibration is a warning of trouble. Do not operate mower until a service check has been made.
- For best cutting results, keep blade sharpened and balanced.
- Inspect and thoroughly clean mower after each use as a deck with caked grass will degrade performance.

- Always release bail handle to turn mower off, remove safety key and battery pack when leaving it unattended even for a short period of time.

Transmission Thermal Switch

DANGER: Rotating blades can cause serious injury. To prevent serious injury, remove safety key and battery pack when unattended, or when charging, cleaning, servicing, transporting, lifting, or storing mower.

The thermal switch protects the self drive motor from overloading and overheating that could damage the motor. The thermal switch will automatically shut down power to the self drive motor (not the blade motor) in the case of overheating.

The reset of the thermal switch is automatic when the transmission's internal temperature drops below 158° F (70° C) and the self drive bail handle is in the released (off) position. When the thermal switch activates:

1. Remove safety key and battery pack.
2. Clean the self drive motor housing of debris. This will keep the transmission cool.
3. Check that the wheels are spinning freely.

NOTE: Harsh conditions (high outside temperature, slopes, high grass, etc.) can overheat the transmission and activate the thermal switch if your mowing pace is too slow. Increase the mowing speed to improve the ventilation.

4. If after performing these actions the thermal switch continues to shut down the power to the transmission stop using the mower and contact your local dealer.

MAINTENANCE

DANGER: To reduce the risk of serious personal injury, turn unit off and remove the battery pack before making any adjustments or removing/ installing attachments or accessories. An accidental start-up can cause injury.

Removing and Installing Blade (Fig. J–L)

DANGER: RISK OF INJURY. WHEN REASSEMBLING THE BLADE SYSTEM, ENSURE EACH PART IS REINSTALLED CORRECTLY, AS DESCRIBED BELOW. IMPROPER ASSEMBLY OF THE BLADE OR OTHER PARTS OF THE BLADE SYSTEM MAY CAUSE SERIOUS INJURY.

DANGER: To reduce the risk of serious personal injury, turn unit off, remove safety key, and remove battery pack before making any adjustments or removing/installing attachments or accessories. An accidental start-up can cause injury.

1. Cut a piece of 2" x 4" wood (24) (about 2 feet long) (610 mm) to keep blade from turning when removing the flange nut (25) .

WARNING: Use gloves and proper eye protection. Turn the mower on its side. Be careful of sharp edges of blade.

2. Position wood and unscrew flange nut counterclockwise with a 18mm wrench (26) as shown in Fig. J.

3. Remove square metal blade spacer (27) , square plastic blade insulator (28) and blade (29) as shown in Fig. K. The blade fan (30) should not be removed. Examine all pieces for damage and replace if necessary.

4. Install sharpened or new blade (29) on shoulder of the blade fan as shown in Fig. K.

NOTE: When replacing sharpened or new blade on shoulder of blade fan, make sure the “GRASS SIDE” on the blade will be facing the ground when the mower is returned to its normal upright position.

5. Install the plastic blade insulator (28) on the blade such that the raised lips on one side engage the edges of the blade.

6. Install the blade spacer (27) so that it sits inside the raised lips on the other side of the blade insulator. Be sure to align the flats in the hole of the blade spacer with the flats of the shaft, rotating the blade and blade insulator together as necessary.

7. Position piece of wood to keep blade from turning as shown in Fig. L. Install flange nut (25) with the flange against the blade spacer (27) and securely tighten the blade (29) with a wrench (26) .

Fig. J

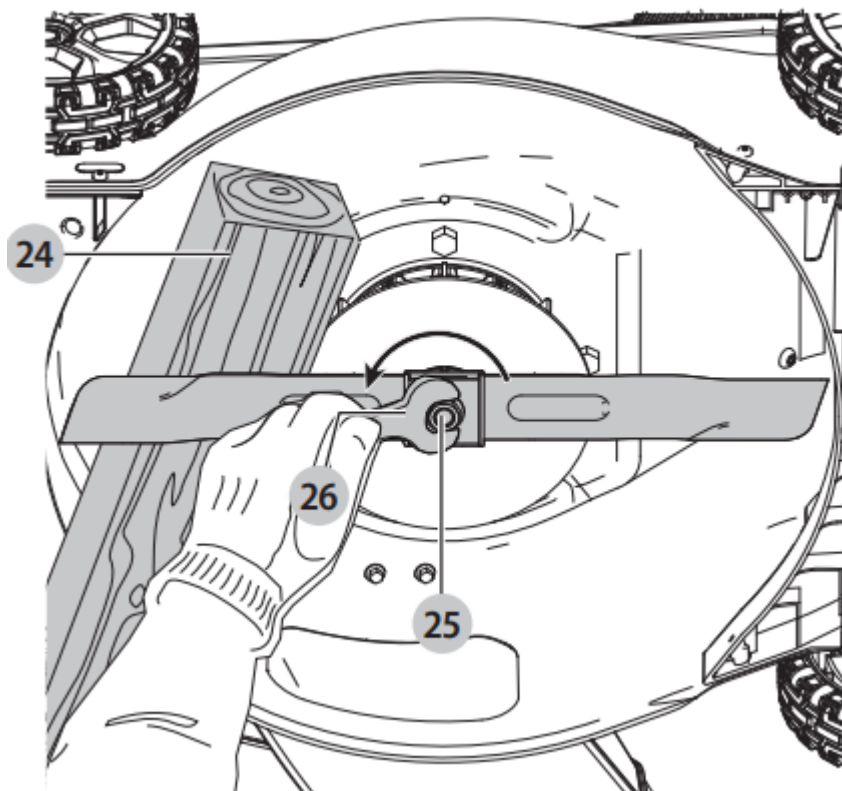


Fig. K

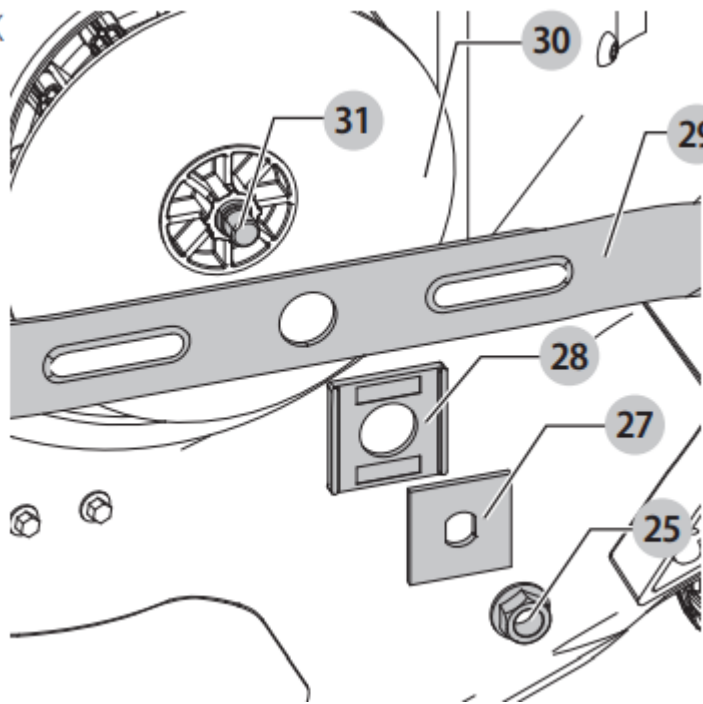
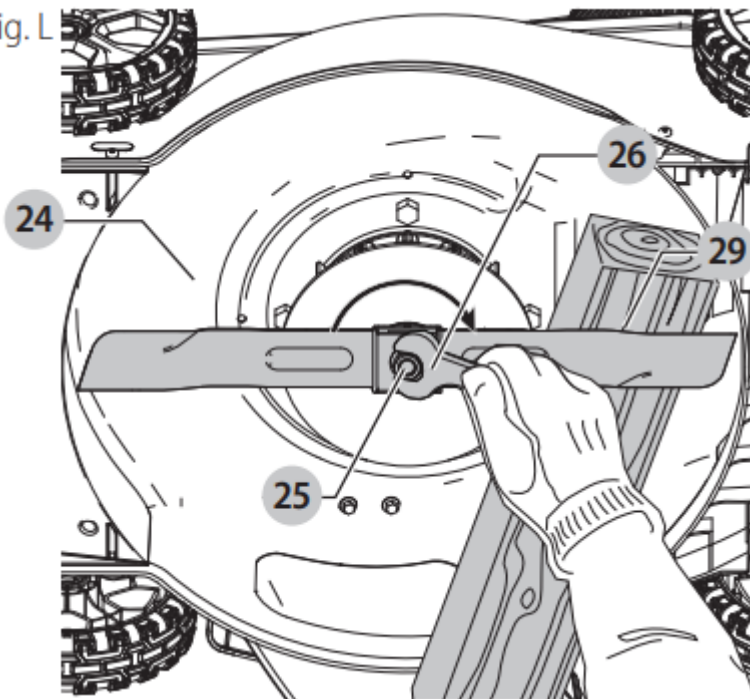


Fig. L



Blade Sharpening

KEEP BLADE SHARP FOR BEST MOWER PERFORMANCE. A DULL BLADE DOES NOT CUT GRASS CLEANLY.

WARNING: Use gloves and proper eye protection while removing, sharpening, and installing blade. Ensure that safety key and battery pack are removed.

Sharpening the blade twice during a mowing season is usually sufficient under normal circumstances. Sand causes the blade to dull quickly. If your lawn has sandy soil, more frequent sharpening may be required. REPLACE BENT OR DAMAGED BLADE IMMEDIATELY.

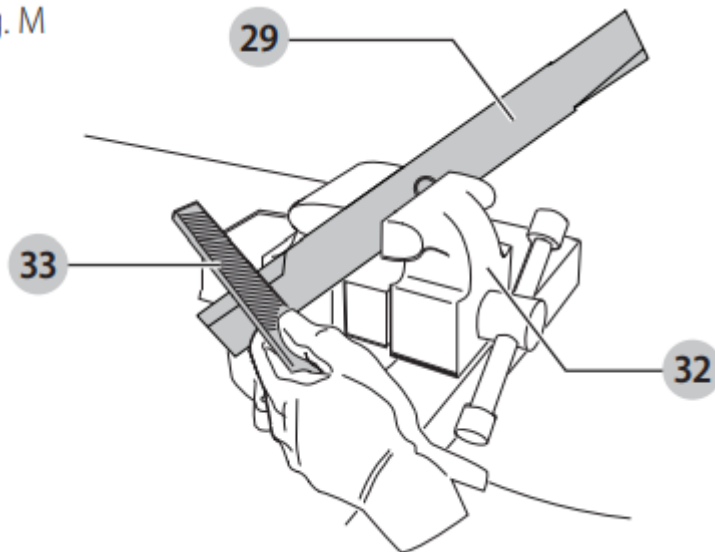
When Sharpening the Blade:

- Make sure blade remains balanced.
- Sharpen blade at the original cutting angle.
- Sharpen cutting edges on both ends of blade, removing equal amounts of material from both ends.

To Sharpen Blade in a Vise (Fig. M)

1. Be sure the bail handle is released, the blade has stopped and safety key and battery pack are removed before removing the blade.
2. Remove blade from mower. See instructions for Removing and Installing Blade.
3. Secure blade (29) in a vise (32) .
4. Wear proper eye protection and gloves and be careful not to cut yourself.
5. Carefully file the cutting edges of the blade with a fine tooth file (33) or sharpening stone, maintaining the angle of the original cutting edge.
6. Check balance of blade. See instructions for Blade Balancing.
7. Replace blade on mower and tighten securely.

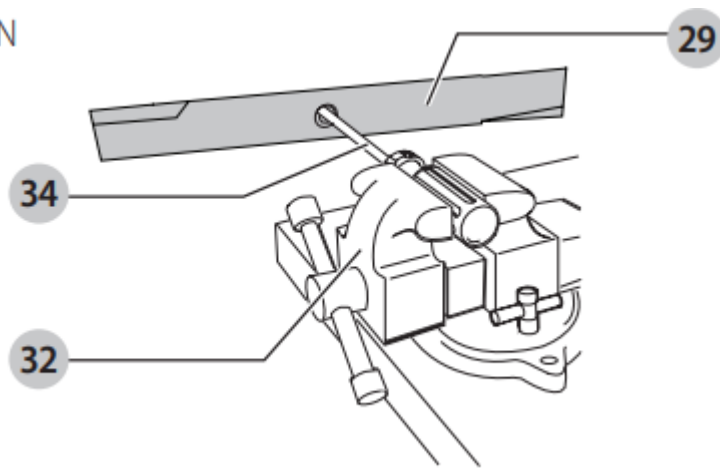
Fig. M



Blade Balancing (Fig. N)

Check balance of the blade (29) by placing center hole in the blade over a nail or round screwdriver (34) , clamped horizontally in a vise (32) . If either end of the blade rotates downward, file along the sharp edge of that dropping end. Blade is properly balanced when neither end drops.

Fig. N



Lubrication

No lubrication is necessary. Do not oil the wheels. They have plastic bearing surfaces which require no lubrication.

Cleaning (Fig. A)

WARNING: Blow dirt and dust out of all air vents with clean, dry air at least once a week. To minimize the risk of eye injury, always use ANSI Z87.1 (CAN/CSA Z94.3) approved eye protection and NIOSH/OSHA/MSHA approved respiratory protection when performing this.

WARNING: Never use solvents or other harsh chemicals for cleaning the non-metallic parts of the tool. These chemicals may weaken the plastic materials used in these parts. Use a cloth dampened only with water and mild soap. Never let any liquid get inside the tool; never immerse any part of the tool into a liquid.

Release bail handle (5) to turn mower off, let the blade come to a stop and then remove battery and safety key. Clean out any clippings which may have accumulated on the underside of the deck. After several uses, check all exposed fasteners for tightness.

Corrosion (Fig. A)

Fertilizers and other garden chemicals contain agents which greatly accelerate the corrosion of metals. If you mow in areas where fertilizers or chemicals have been used, the mower should be cleaned immediately afterward as follows: Release bail handle (5) to turn mower off and remove battery and safety key. Wipe all exposed parts with a damp cloth.

CAUTION: Do not pour or spray water on the mower in an attempt to clean it. Do not store the tool on or adjacent to fertilizers or chemicals. Such storage can cause rapid corrosion.

Meets CPSC Safety Requirements

CRAFTSMAN Mowers conform to the safety standards of the American National Standards Institute, and the U.S. Consumer Product Safety Commission. The blade turns when the blade motor is running.



TROUBLESHOOTING



PROBLEM	SOLUTION
Mower doesn't run when bail handle is activated	Check to make sure safety key has been installed and is fully seated and that button on switch housing is being completely depressed before pulling bailhandle.
	Release bail handle to turn mower off. Remove safety key and battery pack, turn mower over and check that blade is free to turn.
	Check that the battery cavity is free of debris and is connected properly bail handle
	Has battery been fully charged? Press state of charge button
Blade motor stops while mowing	Release bail handle to turn mower off. Remove safety key and battery pack. Turn mower over and check that blade is free to turn.
	Raise cutting height of wheels to highest position and start mower.
	Check that the battery cavity is free of debris and is connected properly
	Has battery been fully charged? Press state of charge button
	Avoid overloading the mower. Slow down the cutting pace, or raise the cut height
Self drive motor stops while working	Shut down power to the self driving mower.
	Clean the self drive motor housing of debris
	Check that the wheels are spinning freely
Mower runs but cutting performance is unsatisfactory, or does not cut entire lawn	Has battery been fully charged? Press state of charge button
	Release bail handle to turn mower off. Remove safety key and battery pack. Turn mower over and check: Blade for sharpness - Keep blade sharp.

	Deck and discharge chute for clogging.
	Wheel height adjustment may be set too low for grass condition. Raise cutting height.
Mower is too hard to push	Release bail handle to turn mower off. Remove safety key and battery pack. Raise cutting height to reduce deck drag on grass. Check each wheel for free rotation.
Mower is abnormally noisy and vibrates	Release bail handle to turn mower off. Remove safety key and battery pack. Turn mower on side and check blade to ensure it has not been bent or damaged. If blade is damaged, replace with a CRAFTSMAN replacement blade. If the underside of the deck is damaged, return mower to a CRAFTSMAN Authorized service center.
	If there is no visible damage to the blade and the mower still vibrates: Release bail handle to turn mower off. Remove safety key and battery pack
Mower not picking up clippings with bag	Chute clogged. Release bail handle to turn mower off. Remove safety key and battery pack. Clear chute of grass clippings.
	Raise cutting height of wheels to shorten length of the cut.
	Bag full. Empty bag more often.

Warning

This content is compiled from multiple sources and is provided for reference purposes only. It may not be complete or fully applicable to all situations. If you are unable to resolve your issue, please contact the product manufacturer or an authorized service provider for official support.

