

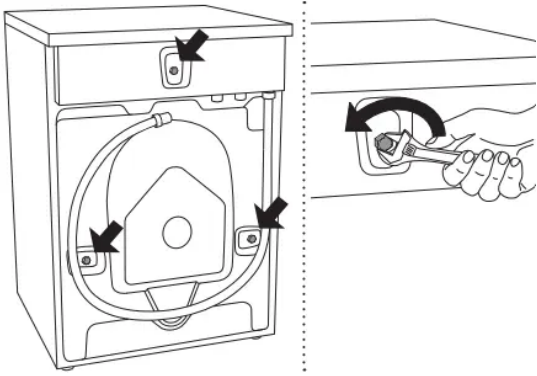
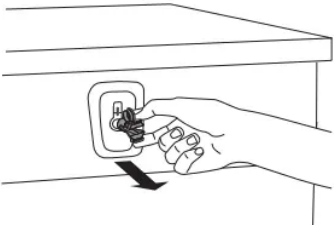
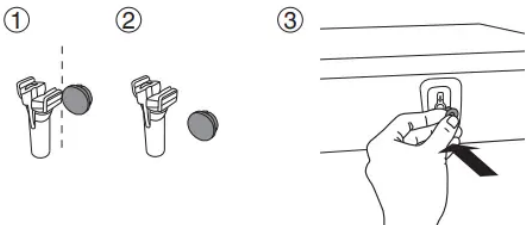
BEFORE USING THE APPLIANCE FOR THE FIRST TIME

PACKAGING

Remove all packaging. Please sort the materials in compliance with local recommendations (see chapter "DISPOSAL").

TRANSPORT PROTECTION

Before using the appliance, remove the three transport bolts and plastic plugs which protect the appliance during transport.

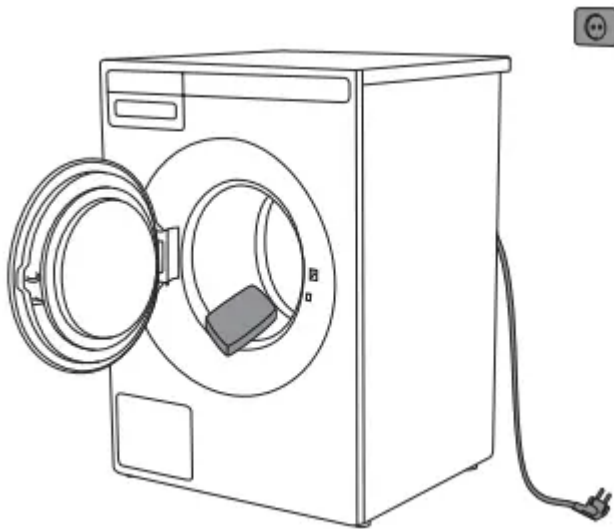
	<p>1 Release and remove the bolts as shown in the figures.</p>
	<p>2 To remove the plastic plugs holding the bolts, squeeze them and then pull them out.</p>
	<p>3 Remove the caps from the plastic plugs. Push the caps over the three holes in which the plastic plugs were inserted. Save the bolts and plastic plugs if you have to transport your washing machine in the future.</p>



If you wish to transport the washing machine, reinstall the bolts and plastic caps to lock the machine. This will prevent any damage to the machine due to vibrations during transport. If you have lost the transport bolts or plastic caps, replacements can be ordered at your dealer.

CLEANING

Disconnect the washing machine from the power mains and open the door. Clean the washing machine drum with a damp cloth and a mild detergent.



Connect the washing machine to the power mains and run the dedicated drum cleaning program. See chapter "WASHING PROCESS" /STEP 5: CHOOSE THE PROGRAM.



No program can be started while the door is open.

SETTINGS BEFORE FIRST USE

After connecting the washing machine and power it for the first time, you will be asked to do following settings:

Language selection

Press the button 2 or the program selector knob to scroll the list of languages. Confirm your selection by pressing the OK button.



The amount of detergent depends on the hardness of water. For details, see the detergent packaging. Please contact your local water supply company to check the water hardness in your area.



Before the product is dispatched from the factory, every appliance is tested. As a result, there may be some residual water left in the drain pump filter. This, however, does not affect the quality and will not damage the appliance.

INSTALLATION AND CONNECTION

POSITIONING THE WASHING MACHINE Read these instructions carefully and completely before you install the machine. The installation should be carried out by a qualified person who is familiar with all local codes and ordinances for electrical and plumbing connections.

Cosmetic damage must be reported to your dealer within five days from the date of purchase. After unpacking the washer, thoroughly check the unit for cosmetic damage.

The washing machine can be installed as a builtin (integrated) or a freestanding unit. Place the machine on a level surface so that the power outlet on the wall is accessible.



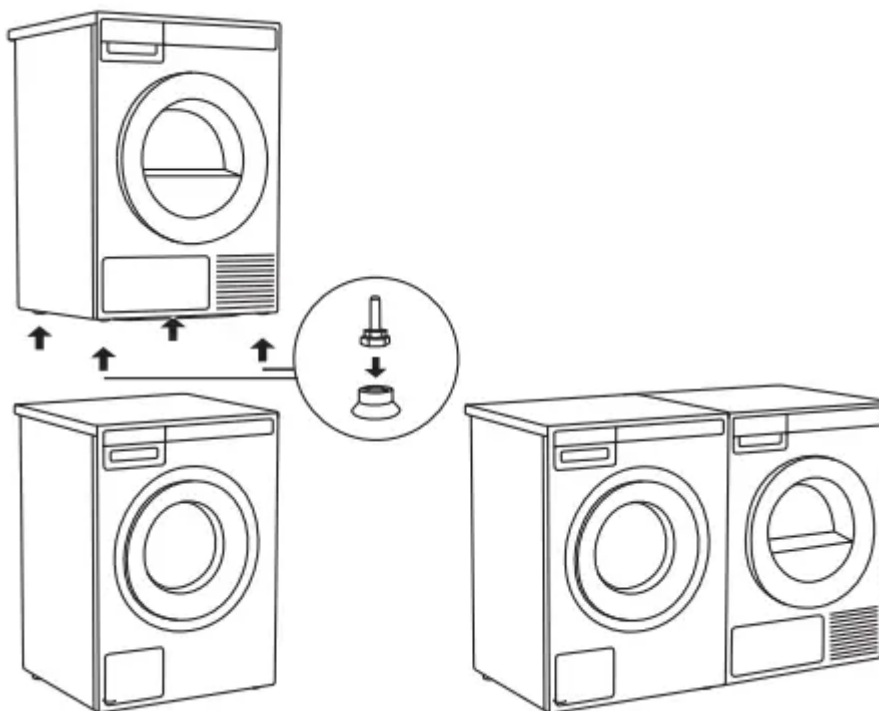
Before connecting the washing machine to the power mains, wait for at least 2 hours until it reaches room temperature.

Grounding instructions

This appliance must be grounded. In the event of malfunction or breakdown, grounding will reduce the risk of electric shock by providing a path of least resistance for electric current. This appliance is equipped with a cord having an equipmentgrounding conductor and a grounding plug. The plug must be plugged into an appropriate outlet that is properly installed and grounded in accordance with all local codes and ordinances.

Freestanding installation

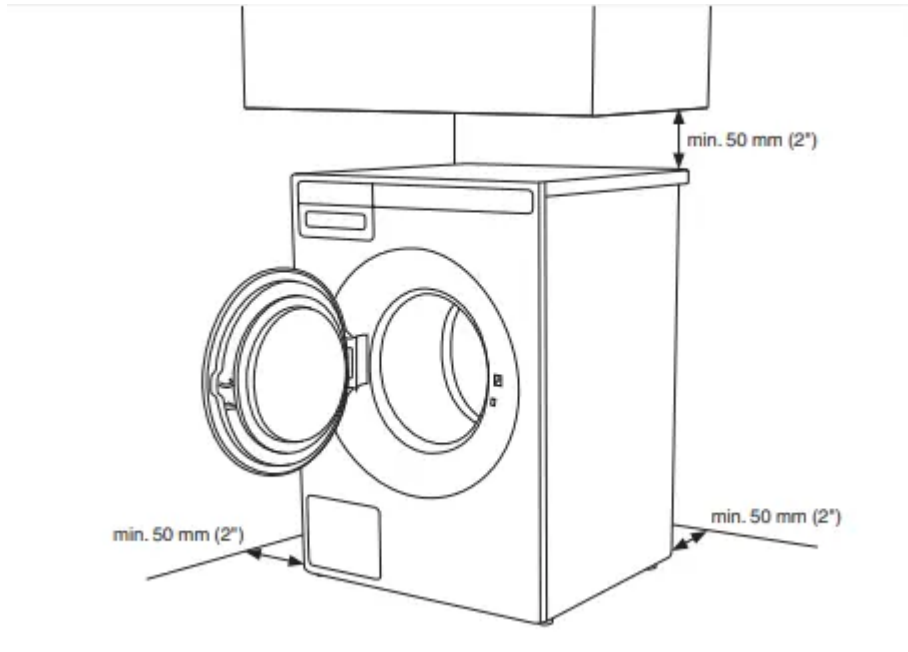
The washer can be placed next to the dryer. It is essential that the machine is leveled and the locknuts are tightened to prevent excessive vibration during spin cycles. Also be sure to leave a minimum of ½" of space between the washer and the dryer. The height adjustment for the washer is 35½" to 37½" (900 mm to 950 mm). Do not raise it higher than 34½" (876 mm).



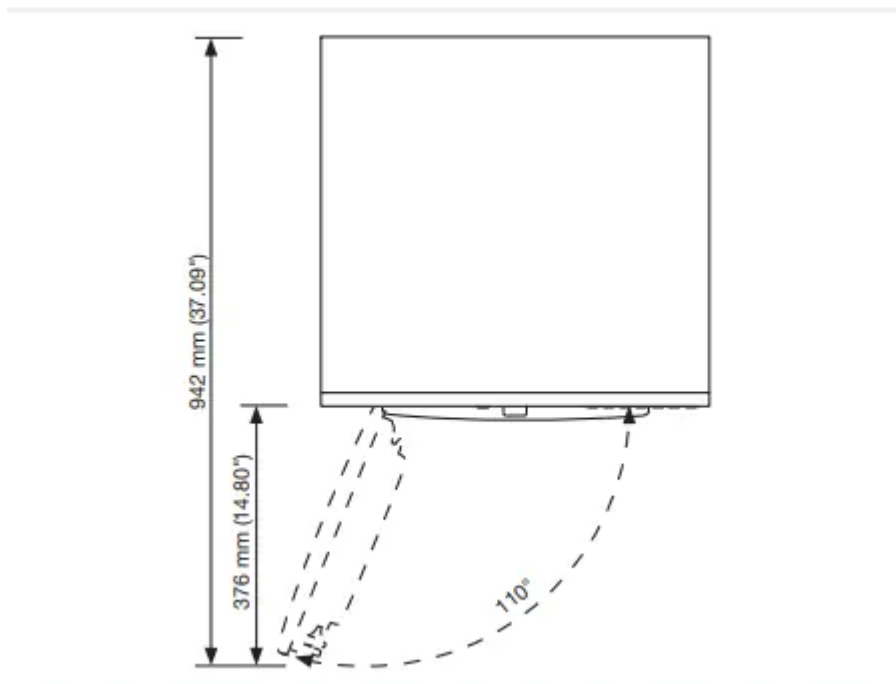
Improper connection of the equipmentgrounding conductor can result in a risk of electric shock. Check with a qualified electrician or servicer if you are in doubt as to whether the appliance is properly grounded.

Do not modify the plug provided with the appliance. If it will not fit the outlet, have a proper outlet installed by a qualified electrician.

Clearances around the washing machine



Opening the washing machine door (top view)

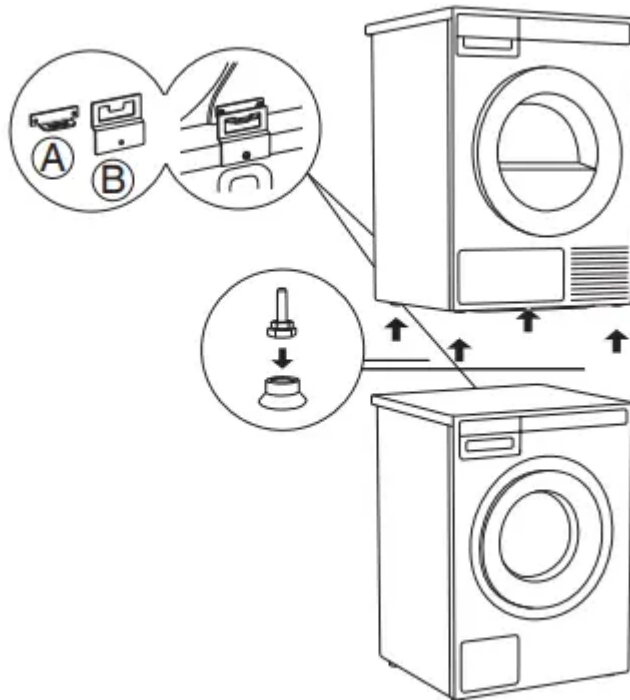


Stacked installation

ASKO washers should never be stacked on a counter or a dryer. You can, however, stack an ASKO dryer on an ASKO washer. Refer to your Dryer Use and Care Guide for instructions on how to do this.

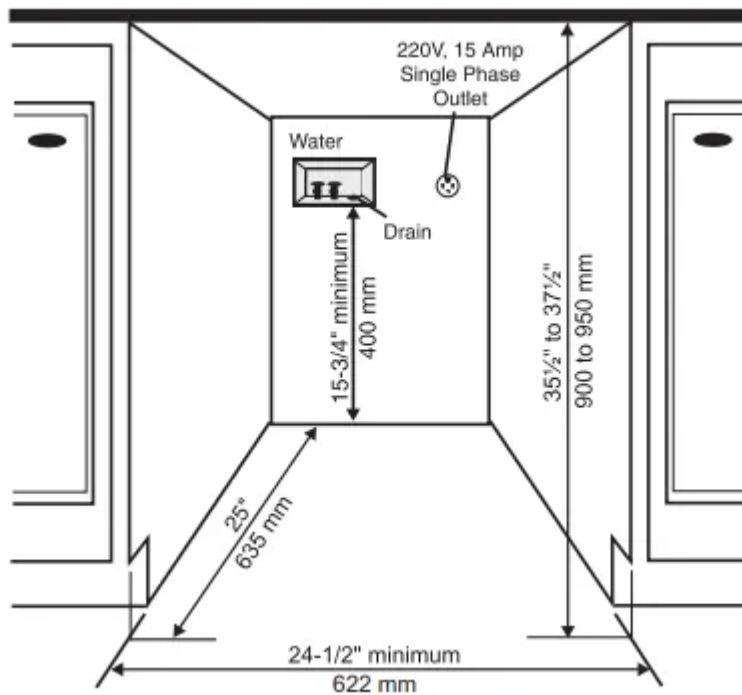
Stacking an ASKO dryer on top of an ASKO washing machine

To stack an ASKO dryer on top of a washing machine, use the extra vacuum feet and the tipping guard (A+B), supplied in the cardboard box in the ASKO dryer drum. If the washing machine and dryer are not of matching dimensions or if you have installed a hidden helper between the two appliances, then binding plates are available as optional accessories at the service unit.



Built-in installation

ASKO washers can be installed beneath a cabinet or worktop with a height of 34" to 35" (863 to 889 mm) or in a closet. There must be a gap of about ½" (12 mm) all around the machine, including between the rear edge of the machine's top panel and the back wall. The opening width must be at least 24½" (622 mm). Space must also be available for the fill and drain hoses. See the illustration below for measurements and positions.

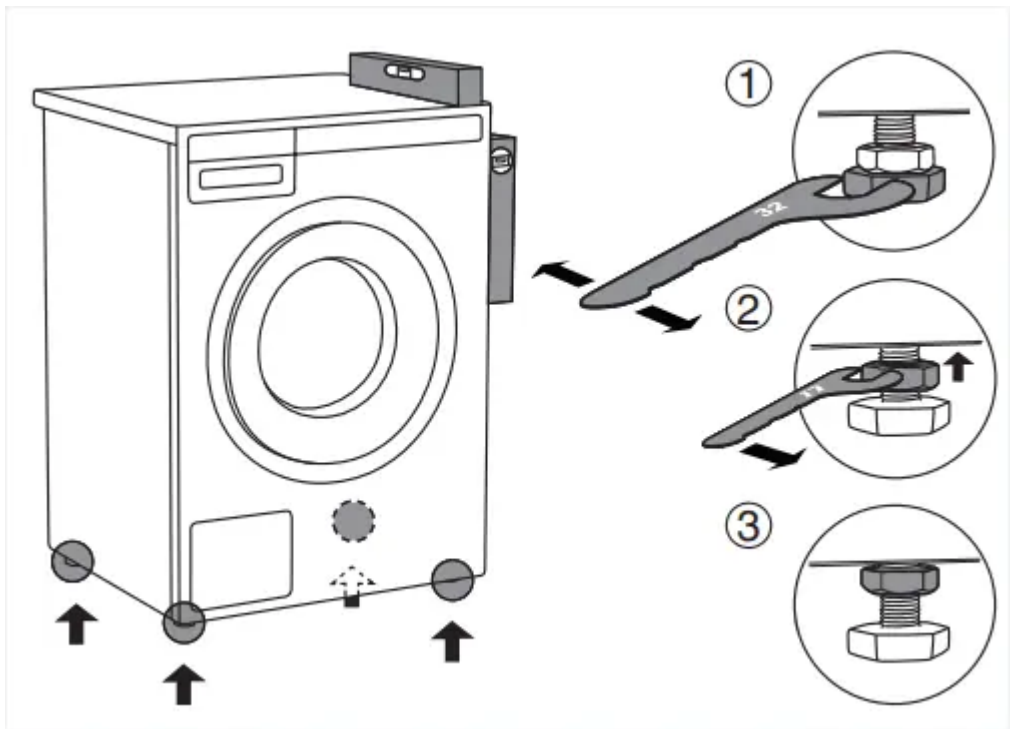


If the drain outlet is higher than 24"(610 mm), the connections will need to be recessed.

ADJUSTING THE FEET

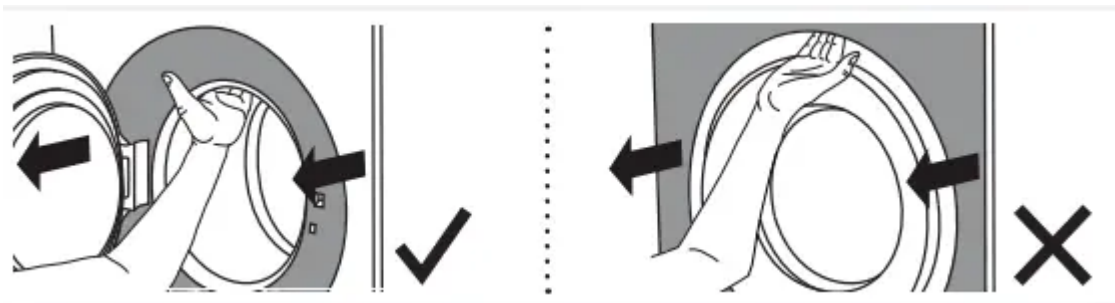
Place the washing machine so that it is stable. It is important that the machine is level to prevent excessive vibrations during spin cycles. Each foot of the washer is adjustable, so you can level the washer on any surface. Once it is level, securely tighten the lock nuts on the feet to prevent excessive vibration during spin cycles.

1. Level the washing machine horizontally and vertically by rotating the adjustable feet (using a No. 32 (1.26") spanner). The feet allow levelling by +/- 1 cm (0.39").
2. When the appropriate height of feet is set, use the wrench No. 17 (0.67") to firmly fasten the counternuts towards the bottom of the appliance .
3. Tighten the jam nuts (counter nuts) to the end position. This will reduce washing machine noise, vibration, movement etc. to minimum.



MOVING THE WASHING MACHINE AND TRANSPORT AFTER INSTALLATION

If you are moving the washing machine without packaging, open the washing machine door and pull the appliance by holding the washing assembly, as indicated in the figure.



For any further moving of the appliance, use the transport rods (the washing machine drum has to be blocked).

(See chapter TRANSPORT PROTECTION.)

CONNECTING TO WATER SUPPLY



The machine has to be connected to water supply by an adequately trained person.

Since ASKO washers have a built-in heating element, you only need a cold water inlet. The connection should be made by someone who is sufficiently skilled. Use the hose supplied with the washer. (The inlet hose is marked for correct connection.) The water pressure must be in the range 15–146 PSI. A valve should be fitted on the water supply pipe. If a new supply pipe has been installed for the washer, it should be flushed thoroughly to remove any foreign particles that might clog the filter in the fill valve.



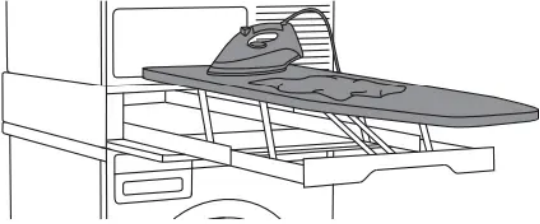
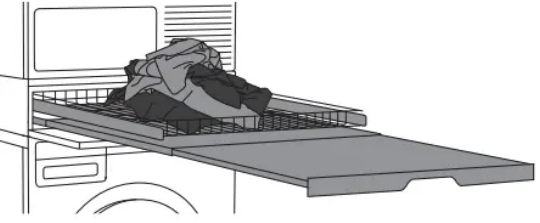


The water intake hose has to be fastened firmly enough for the hose to have a good seal. After connecting the hose, the seal must be checked for any leaks.

Only use the water supply hose supplied with the appliance. Do not use any used or other hoses.



If the unit is installed on a second story, follow local building codes. We recommend installing a drip pan.

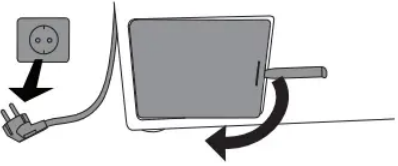
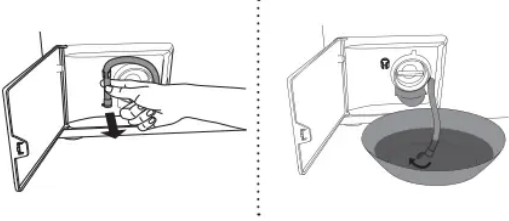
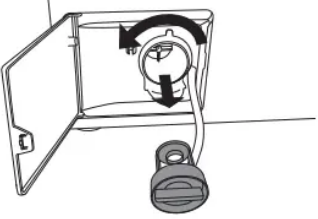

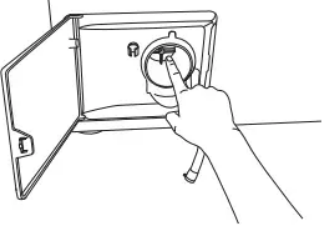
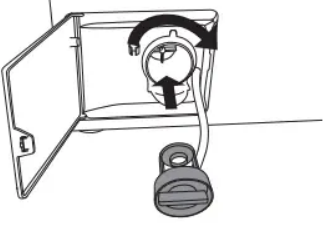
ASKO LAUNDRY CARE - HIDDEN HELPERS*

	<p>Laundry care ironing board</p> <p>The ironing board is a clever solution. It is always handy when you need to iron your clothes, and it can be easily, safely and invisibly stored away when not in use.</p> <p>It can be installed between your washer and dryer, or on top of one of them.</p>
	<p>Laundry care double</p> <p>A wire basket and pull-out shelf. It can be used as an additional surface for folding clothes, sorting socks and for storage. The basket is useful for removing and carrying laundry to the wardrobe or workbench for ironing and folding. It can be installed between your washer and dryer, or on top of one of them.</p>
	<p>Laundry care single</p> <p>Pull-out shelf. It can be used as an additional surface when folding clothes and sorting socks or for storage. It also makes loading and unloading your laundry much easier. It can be installed between your washer and dryer</p>
	<p>Laundry care basket</p> <p>A large pull-out basket that is easily accessible via a push-pull door opening. Useful for removing laundry and carrying it to the wardrobe or workbench for ironing and folding. It can be installed between your washer and dryer, or on top of one of them.</p>

CLEANING AND MAINTENANCE

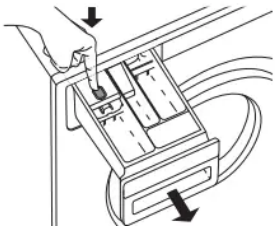
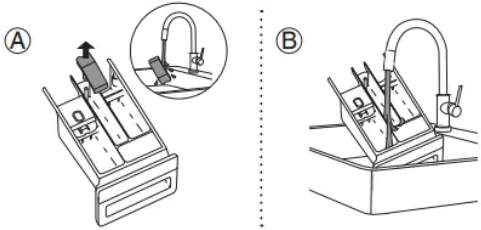
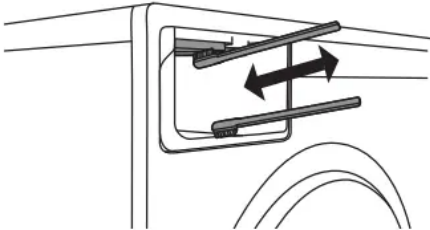
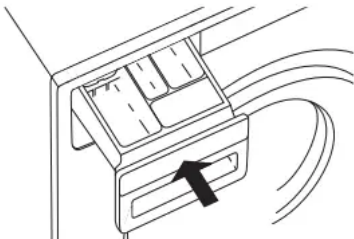
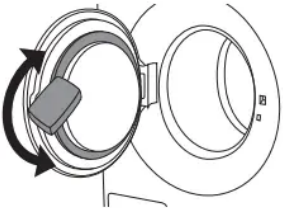
CLEANING THE FILTER

The washing machine has a filter that will retain smaller objects such as coins, buttons, hair etc.

	<p>1 Before cleaning, drain the water from the washing machine using the Drain program, and disconnect the washing machine from the power mains. Open the pump filter cover using appropriate tools (emergency door opening tool is located on the back side of the dispenser).</p>
	<p>2 Release the water drain hose from the holder. Before cleaning the filter, drain the water from the washing machine by placing the end of the water drain hose over a large shallow container and opening the cap on the water drain hose.</p>
	<p>3 Gradually rotate the filter in the counter-clockwise direction and pull it out.</p>
	<p>4 Clean the filter thoroughly under running water.</p>
	<p>5 Remove all objects and impurities from the filter housing and the impeller.</p>
	<p>6 Replace the filter as shown in the figure and fasten it by rotating in the clockwise direction. For a good seal, the filter seal surface should be clean. Also re-install the drain hose.</p>

CLEANING THE DETERGENT COMPARTMENT AND DOOR RUBBER GASKET



	<p>1 Press the tab to completely remove the detergent compartment from its housing.</p>
	<p>2 Rinse and thoroughly clean the tray. You may also remove the cap from the plug in the conditioner compartment (A). Clean any residue from the cap and tube. Clean the detergent compartment (B) interior.. Replace the cap on the plug.</p>
	<p>3 Use a brush to clean the nozzles on the upper side of the detergent compartment housing. After a washing program, nozzles that clean the interior of the dispenser are automatically switched on (only available in some models). Use a brush to clean the lower part of the detergent compartment housing.</p>
	<p>4 Replace the detergent compartment into its housing. Close the detergent compartment! Do not wash the detergent compartment in the dishwasher!</p>
	<p>5 After every wash, wipe the rubber door seal to extend its useful life.</p>

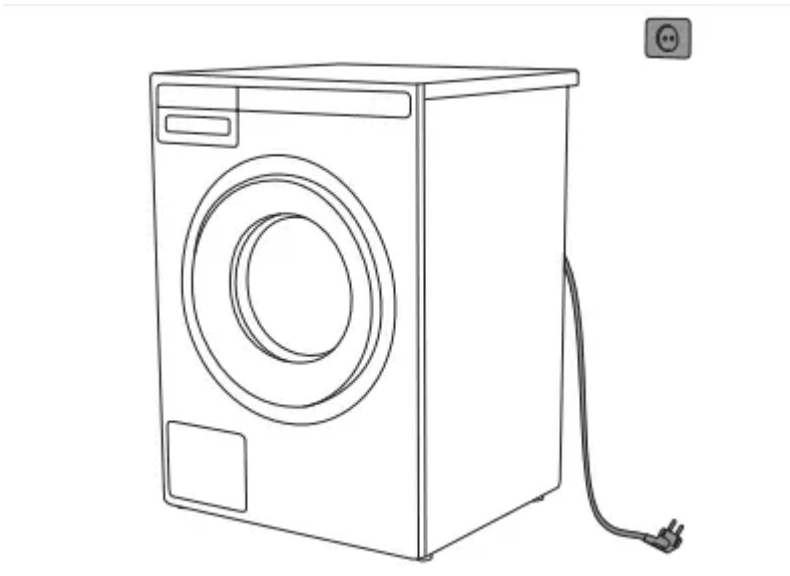
CLEANING THE APPLIANCE EXTERIOR

Clean the appliance exterior and the display unit using a soft damp cotton cloth and water.

Do not use solvents or abrasive cleaners that could damage the appliance (please observe the recommendations and warnings provided by the manufacturers of the cleaning agents).



Do not clean the washing machine with a jet of water!



Always disconnect the washing machine from the power mains before cleaning.

CLEANING THE WASHING MACHINE INTERIOR AGAINST ODOURS

Modern detergents often allow washing clothes at low temperatures. This means that residue may accumulate in the washing machine, which in turn could cause odours. To avoid such odors, we recommend running the self-cleaning program (Drum-cleaning) once per month. The drum has to be empty.

CLEANING THE RINSING HOLES (UNDER THE AGITATOR IN THE DRUM)

If you believe that objects like nails or paper clips fell into the washing machine drum, check the area underneath the rib. Such objects may rust (corrode) and cause stains on your clothes. Nails and other sharp objects can also cause holes in the fabric.

Proceed as follows:

- 1** Insert a screwdriver or a similar tool into the slot in the rib and carefully push it to the left.
- 2** Hold the rib with the other hand and pull it towards you.
- 3** Lift the drum rib.
- 4** Remove any objects.
- 5** Place the rib into the installation slot indicated with "F" towards you. Make sure all ribs are firmly in place in their respective slots in the drum. Push the rib inwards (as indicated by the arrow in the figure) until it snaps.

If you are using hard water

If you are washing with hard water (causing limescale build-up), a greyish-white film may appear on the washing machine drum. To remove this film, add vinegar (approximately 2 dl (0.85 cup) or sodium bicarbonate "baking soda" (1 tablespoon or 15 g (0.5 oz))) into the washing machine drum

and select any program with a temperature of EXTRA HOT, or the Drum Cleaning program. See STEP 5: Choose the program.

Repeat the process as necessary

ERRORS AND TROUBLESHOOTING

Disturbances from the environment (e.g. the power grid) may result in various error reports (see Troubleshooting table). In such case:

- Switch off the appliance, wait for 1 minute, switch the appliance back on, and repeat the washing program.
- If the error persists, call an authorized service unit.
- You will be able to solve most of the problems in appliance operation by yourself (see Troubleshooting table below).
- Repairs may only be carried out by an adequately trained person.
- Repair or any warranty claim resulting from incorrect connection or use of the washing machine shall not be covered by the warranty. In such cases, the costs of repair shall be charged to the user.



The warranty does not cover the errors or failures resulting from disturbances from the environment (lightning strike, power grid failures, natural disasters etc.).

Problem/error	Cause	What to do?
Washing machine door does not open.	<ul style="list-style-type: none"> • Water level too high. 	<ul style="list-style-type: none"> • Drain the water using the Drain or Spinning program. See "Step 5: Choose the program".
	<ul style="list-style-type: none"> • Water temperature in the washing machine is too high. 	<ul style="list-style-type: none"> • Wait for the water temperature to drop and pump out the water. If you still cannot open the door, use the emergency door opening tool (see Manual opening of washing machine door in this chapter").
The machine will not start.	<ul style="list-style-type: none"> • Power supply failure. 	<ul style="list-style-type: none"> • Press the Start/Pause button to resume the program.
Washing program is not in progress.	<ul style="list-style-type: none"> • Washing machine door is not properly closed. 	<ul style="list-style-type: none"> • Firmly press on the washing machine door until you hear two clicks when it is closed.
	<ul style="list-style-type: none"> • There is no voltage in the power outlet. 	<ul style="list-style-type: none"> • Check if the plug is connected to the power outlet and whether there is electric current (or voltage) in the outlet.
	<ul style="list-style-type: none"> • Delayed start function has been selected. 	<ul style="list-style-type: none"> • To cancel the delayed start function, press the Start/Pause button and hold it for three seconds.
Washing time is longer than anticipated (the time is regularly updated on the display unit).	<ul style="list-style-type: none"> • Low inlet water temperature 	<ul style="list-style-type: none"> • Program duration can be up to 60% longer than initially anticipated in the normal progress.
	<ul style="list-style-type: none"> • UKS* (*unbalance system) stability system engaged due to unevenly distributed laundry. 	<ul style="list-style-type: none"> • Program time is extended due to the need to redistribute the laundry in the drum.
	<ul style="list-style-type: none"> • Low mains voltage. 	<ul style="list-style-type: none"> • Washing machine needs more time because the power mains voltage is too low.
	<ul style="list-style-type: none"> • Power supply failure. 	

		<ul style="list-style-type: none"> • Program time is extended by the duration of the power supply failure.
Display does not light up.	<ul style="list-style-type: none"> • There is no voltage in the appliance. 	<ul style="list-style-type: none"> • Check if the plug is connected to the power outlet and whether there is electric current (or voltage) in the outlet.
The wording on the display unit is not in your language.	<ul style="list-style-type: none"> • You have not selected your preferred language yet. 	<ul style="list-style-type: none"> • Choose the preferred language (see "STEP 5 / System Settings / Choosing the language").
Wet laundry ("unbalance" will appear on display)	<ul style="list-style-type: none"> • A small amount of laundry will often be unevenly distributed. 	<ul style="list-style-type: none"> • Loosen and redistribute the laundry and select the Drain or Spinning program. • Increase the amount of laundry in the washing machine and restart the program (see "STEP 7: Start the wash / Adding or removing laundry after the start of the program").
There are traces of grease (or grease rolls) on the clothes.	<ul style="list-style-type: none"> • The laundry was very greasy. 	<ul style="list-style-type: none"> • Wash the laundry again. When your laundry is this heavily soiled, add more washing powder or use a liquid detergent in combination with a more powerful (longer) program.
There are still stains on the laundry.	<ul style="list-style-type: none"> • You used bleach-free liquid detergent or powder detergent for coloured laundry. 	<ul style="list-style-type: none"> • Use a detergent that contains bleach.
	<ul style="list-style-type: none"> • You selected an unsuitable program. 	<ul style="list-style-type: none"> • Use special stain removers.

<p>There are white residues of washing powder on the laundry.</p>	<ul style="list-style-type: none"> • This is not due to poor rinsing by your washing machine, but rather due to phosphatefree detergents which contain ingredients (zeolites) for water softening. These ingredients may be deposited on the laundry. 	<ul style="list-style-type: none"> • Immediately rinse the laundry again. • Use liquid detergents that do not contain zeolites. • Try removing any residues with a brush.
<p>There is powder detergent left in the main wash compartment of the detergent compartment.</p>	<ul style="list-style-type: none"> • Water pressure not high enough. 	<ul style="list-style-type: none"> • Clean the net on the water supply hose.
	<ul style="list-style-type: none"> • Some washing powders may stick strongly to the detergent compartment if it is empty. 	<ul style="list-style-type: none"> • Choose higher water level or extra rinse (see "Step 6 / Choose program settings"). • Wipe the detergent compartment before adding the powder detergent.
<p>There is conditioner left in the conditioner compartment of the detergent compartment.</p>	<ul style="list-style-type: none"> • Plug cap is not positioned correctly or it is clogged. 	<ul style="list-style-type: none"> • Make sure the plug cap in the conditioner compartment of the detergent compartment is positioned correctly. • Clean the plug cap (see chapter "CLEANING AND MAINTENANCE / Cleaning the detergent compartment").
<p>Odour in the washing machine drum.</p>	<ul style="list-style-type: none"> • Residues of fabric, washing detergent, and conditioner in the filter. 	<ul style="list-style-type: none"> • Check if the filter is clean.
	<ul style="list-style-type: none"> • Development of germs and bacteria. 	<ul style="list-style-type: none"> • Choose a self-cleaning (Drum Cleaning) program (see "STEP 5: Choose the program").
<p>Machine is moving during operation.</p>	<ul style="list-style-type: none"> • Feet not adjusted correctly. 	<ul style="list-style-type: none"> • Level the feet (see chapter "INSTALLATION AND CONNECTION / Adjusting the feet").
	<ul style="list-style-type: none"> • Transport bolts not removed. 	

		<ul style="list-style-type: none"> • Remove the transport bolts (see chapter "BEFORE USING THE APPLIANCE FOR THE FIRST TIME / Transport protection").
<p>Machine is moving during spinning.</p>	<ul style="list-style-type: none"> • Unevenly distributed laundry or not enough laundry. 	<ul style="list-style-type: none"> • The washing machine will automatically decrease the spin speed if vibration is too strong. • Increase the amount of laundry in the washing machine and restart the program (see "STEP 7: Start the wash / Adding or removing laundry after the start of the program").
<p>Noisy (loud) drain pump</p>	<ul style="list-style-type: none"> • Drain pump filter is clogged. • Filter housing and drain pump impeller are clogged. 	<ul style="list-style-type: none"> • Make sure the drain pump filter is clean. • Make sure the filter housing is clean. (See chapter "CLEANING AND MAINTENANCE/ Cleaning the filter")

Manual opening of washing machine door

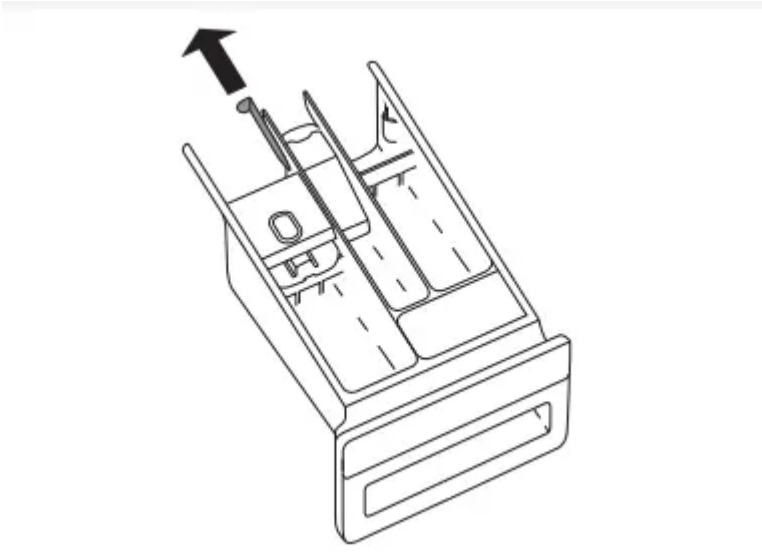
Washing machine door may be opened manually if the appliance is not connected to the power mains and if the water has been pumped out of the machine.

A Choose the Spinning or Drain program to pump the water from the machine. If this does not work, water has to be drained from the washing machine drum manually. See chapter "Cleaning the trap and drain pump" in the chapter "CLEANING AND MAINTENANCE".

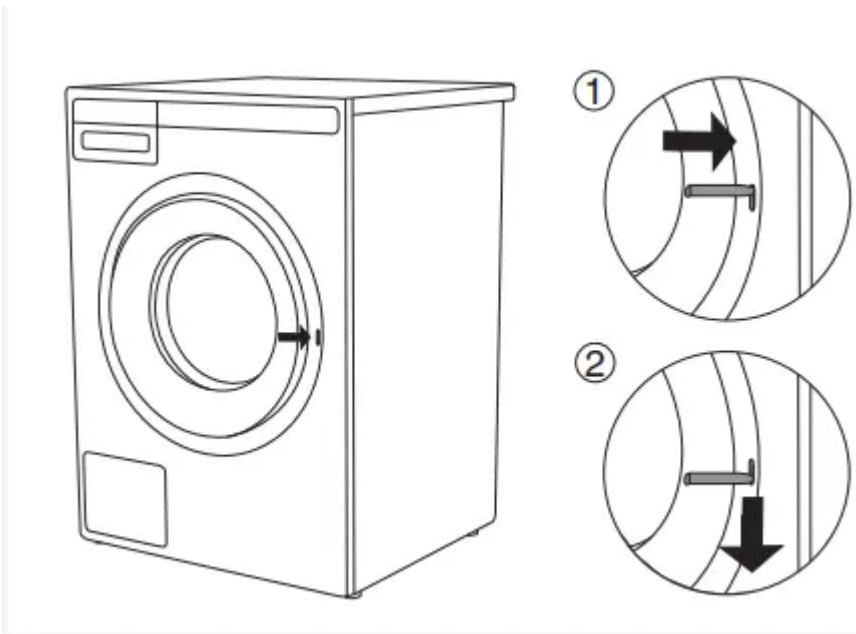
B Make sure the main switch is off and that the plug is disconnected from the power outlet.

C Take the emergency door opening tool (found at the back of the detergent compartment) and insert it into the upper part of the slot on the right-hand side of the washing machine door latch.





D Press the key (key=the emergency door opening tool) downwards (all the way, until you hear a click) to unlock the washing machine door. When the door is unlocked, open it by pulling towards you.



If the washing machine door still cannot be opened, call a service technician.

FAILURE DISPLAY

In case of a failure while a program is in progress, the relevant Error X is indicated on the display unit.



Press the INFO button to display the error description.

Switch off the appliance and turn it back on.

Errors indicated on the display unit may include the following:



Error	Error indication on the display unit	What to do?
E0	INCORRECT SETTINGS	Restart the program. If the error reoccurs, call a service technician.
E1	THERMISTOR ERROR Temperature sensor error.	<ul style="list-style-type: none"> • Inlet water too cold. Repeat the washing program. • If the appliance reports this error again, call a service technician.
E2	DOOR LOCK ERROR	Turn the appliance OFF and then switch it a ON again. Start the program again. If the error reoccurs, call service technician.
E3	WATER FILLING ERROR	<p>Check the following:</p> <ul style="list-style-type: none"> • is the water inlet valve open, • is the filter on the water inlet hose clean, • is the water supply hose deformed (clipped, clogged etc.), • is the pressure in the water mains between 0.1 and 1 MPa (1–10 bar). <p>Then, press the Exit button to resume the program. If the error reoccurs, call a service technician.</p>
	HEATING ERROR Water heating error.	Restart the program. If the error reoccurs, call a service technician.
E7	DRAINING ERROR Water draining error.	<p>Check the following:</p> <ul style="list-style-type: none"> • is the pump filter clean, • is the drain hose clogged, • is the drain clogged, • is the drain hose fitted at the right height (see chapter on drain hose installation in the instruction manual). <p>Then, press the Exit button again. If the error reoccurs, call a service technician.</p>

E10	WATER LEVEL SENSOR ERROR	Turn the appliance OFF and then switch it ON again. Start the program again. If the error reoccurs, call service technician.
E11	OVERFLOW Water overflowing.	<p>If there is water in the drum that exceeds a certain level, and an error is reported on the display unit, the washing program will be interrupted and water will be pumped out of the washing machine. Restart the program. If the error reoccurs, call a service technician.</p> <p>If there is water in the drum that exceeds a certain level, and an error is reported on the display unit, while the washing machine continues to add water, close the water tap and call a service technician.</p>
E12	MOTOR ERROR / MOTOR CONTROL ERROR	Restart the program. If the error reoccurs, call a service technician.
E23	DOOR UNLOCK ERROR Error while unlocking the door.	Door is closed, but it cannot be unlocked. Turn off the washing machine, then turn it back on. If the error reoccurs, call a service technician. See instructions for opening the door – chapter on manual door opening.
E36	COMMUNICATION UI** AND PMCU Error in UI and PMCU communication.	Turn off the appliance and turn it back on. If the error reoccurs, call a service technician.
E37	PMCU/UI** software versions are not compatible.	Please call a service technician.
	UNBALANCE Unevenly distributed laundry.	Manually distribute the laundry and run the spinning program.
	UNABLE TO LOCK DOOR	Open and firmly close the door again to final position. If the error reoccurs, call a service technician.
	STERIL TUB ALERT Warning – Self-cleaning program	Use the self-cleaning program (DRUM CLEANING); see STEP 5.
	Preparing to door unlocking. (press INFO): Draining must be performed. Wait for door unlocking.	Wait that process is finished. If after this process no error is shown, new cycle can be run.

	DRAIN SYSTEM ALERT	Alert about reduced water flow in the pumping stage. Please check user manuals.
--	--------------------	------------------------------------------------------------------------------------

**** UI = (User Interface)**

Unevenly distributed laundry or lumps of laundry in the washing machine drum may cause problems such as vibration and noisy operation. The washing machine will sense this and activate the UKS* (*unbalance system). Smaller loads (e.g. one towel, one sweater, one bathrobe etc.) or clothes made of materials with special geometrical properties are virtually impossible to distribute evenly across the washing machine drum (slippers, large items etc.). This results in several attempts to redistribute the laundry, which in turn leads to longer program duration. In extreme cases of unfavourable conditions, the program can be completed without the spinning cycle.

UKS* (*unbalance system) allows stable operation and extends the useful life of the appliance.

Warning

This content is compiled from multiple sources and is provided for reference purposes only. It may not be complete or fully applicable to all situations. If you are unable to resolve your issue, please contact the product manufacturer or an authorized service provider for official support.