

RECHARGING

1. This trimmer is conveniently designed for household use. It should be allowed to charge overnight before first use.
2. Remove the trimmer, recharging transformer and accessories from the packing material.
3. Connect the transformer to the trimmer. BE SURE TRIMMER IS IN THE "OFF-0" POSITION WHEN CHARGING.
4. Plug the recharging transformer into any convenient electrical outlet at the correct voltage.
5. When trimmer is low in power, it should be connected to the transformer and plugged into an outlet to assure maximum power is available when it is next used. This transformer is designed to continuously charge the battery without overcharging.
6. Ni-Cad battery life may be extended with the following procedure: Once every month, let the trimmer run until the motor stops. Move the switch to the "OFF-0" position and recharge fully overnight.

TROUBLESHOOTING

If your Trimmer does not seem to take a charge, check the following before returning it for repair

1. Check outlet current by plugging in another appliance.
2. Make sure the outlet simply is not connected to a light switch which turns the power at the outlet off when lights are turned off.
3. Be sure the trimmer is properly connected to the recharging transformer, all connections are secure and the switch on the trimmer is turned "OFF-0."
4. If your electricity is connected to a master power switch, we suggest the trimmer be disconnected from the charger anytime the master switch is off. Leaving the unit plugged into a dead outlet or an unplugged charger will drain the battery.
5. If trimmer does not run and it is completely charged, turn the unit "ON-I" and pinch or push the blades manually. (Oil may have dried out between the blades, so they may be temporarily stuck together.)

CARING FOR YOUR TRIMMER

OILING BLADES

For best results, use Wahl Clipper Oil on the blades only when necessary, or approximately once a month. Motor bearings are permanently lubricated-do not attempt to oil.

When oiling your trimmer, turn the trimmer "ON-I," hold the unit with the blades facing DOWN and squeeze three drops across the front of the blade and one drop on each side on the heel of the blade. Wipe off excess oil with soft cloth.

NOTICE DO NOT OVER OIL!

Excessive oiling or application of liquids will cause damage if allowed to seep back into motor.

BLADE CARE

Trimmer blades have precision-hardened, ground and lapped cutting teeth. Blades should be handled carefully and never bumped or used to cut dirty or abrasive material. Never rinse the blades with water, or the blades may rust. Clean with the included brush.

CLEANING/STORAGE

Before storing your trimmer, use the cleaning brush to whisk any loose hairs from the unit and the blades. For units with a soft-touch grip, use a damp cloth to wipe down the body of the trimmer, taking care not to get the blades wet. Store unit in such a manner so that blades are protected from damage.

When the trimmer is not in use, the trimmer blade guard attachment should be in place to protect the blades.

This appliance should be stored in a manner where it is not subjected to crushing, heating above 100°C (212°F), or incineration.

SPECIAL FEATURES:

Your trimmer has been designed with several advanced features to help you get perfect results every time you trim. Your trimmer may be used to touch-up around ears, nose and eyebrows, neatly detail goatees, beards, mustaches, neckline, sideburns, or anywhere you may need grooming



RECYCLE/REPLACEMENT OF NI-CAD BATTERY

CONTAINS SEALED, RECHARGEABLE NICKEL- CADMIUM BATTERY. MUST BE RECYCLED OR DISPOSED OF PROPERLY

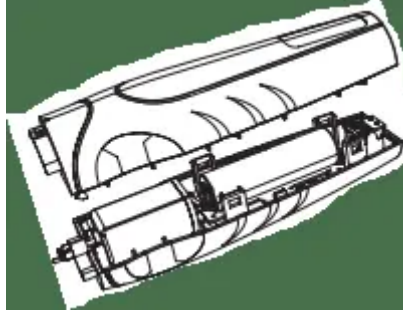
The RBRC Battery Recycling Seal on the nickel-cadmium (N-C) battery contained in this product indicates Wahl is voluntarily participating in an industry program to collect and recycle these batteries at the end of their useful life, when taken out of service in the United States or Canada. The RBRC program provides a convenient alternative to placing used N-Cd batteries into the trash or the municipal waste stream, which is legal in some areas. Please call 1-800-8-BATTERY for information on N-Cd battery recycling in your area. Wahl's involvement in this program is part of our commitment to preserving our environment and conserving our natural resources.

Do not mix old and new batteries. Do not mix alkaline, standard carbon-zinc, or rechargeable (N-Cad, Ni-MH, etc.) batteries.

Under normal use, the rechargeable nickel-cadmium batteries in your trimmer may last up to five years. At the end of their life, when they will no longer take a full charge, the nickel-

cadmium batteries must be removed and recycled or disposed of properly. Do not attempt to replace the batteries. All servicing or battery replacement should be performed by an Authorized WAHL Service Location. To remove the batteries for recycling or disposal, follow these steps:

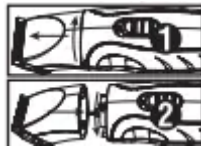
1. Unplug transformer from outlet, disconnect cord from trimmer and allow the batteries to completely run down before disassembly
2. Remove any attached trimming heads.
3. Pry the trimmer housing apart



INSTALLATION/REMOVAL OF TRIMMING HEADS

Make sure trimmer unit is turned "OFF"

1. Turn trimmer head counterclockwise and lift off.
2. Place trimmer head on trimmer and turn trimmer head clockwise to lock on



TRIMMING AND EDGING YOUR BEARD

The following are suggested trimming steps and trimmer positions. You may find different procedures work better for you.



1. Comb your beard in the direction that it grows to help reveal stray hairs that may be longer than the others.
2. Attach the guide comb to trim and taper your beard. With the blades pointing toward you, begin with the 5-position guide set at a long trimming length. For best results, start at each sideburn and stroke downward toward your neck. Trim toward your chin in smooth, overlapping strokes, following the lay of your beard. If you trim against the way your beard naturally lays the trimmer will cut the hair much shorter and the result may be patchy. Adjust the guide comb to progressively shorter settings until you reach the

desired length of beard. You may wish to set the guide comb to cut closer near the ear and down under the chin, changing to a longer setting toward the front of the face and point of your chin. Always be sure the guide is snapped solidly into the desired position before you start to trim

3. Remove the 5-position guide and cut the outline of your beard. Starting under your chin and working back toward your jawbone and ears, cut the outer perimeter of your beard underneath the jawbone. Continue the line all the way up to the ears and hairline.
4. Accentuate your beard line by using the trimmer in a downward motion. Start at the line you've created and, working from the chin back toward the ears, trim the area right under your beard line
5. Define the upper part of your beard using the same technique.
6. For a neater finished look, use the guide comb on position 2. Then, using the trimmer in an upward motion, start trimming under the chin with short, outward, rolling strokes. Continue trimming until entire jawline is blended.

TRIMMING YOUR MUSTACHE

1. Comb your mustache
2. Hold the trimmer in a vertical position with the blades pointing toward you in order to define the line of your mustache.
3. With the guide set at a fairly long trimming length, begin trimming your mustache, starting at the top and working down to your upper lip. Use progressively closer settings to get the look and length you desire.
4. For tapering the mustache, set the guide comb at a medium length. Starting in the middle of your mustache, follow the lip line and taper with short upward strokes of the trimmer, working out toward the corners until a gentle shape is created on the bottom of your mustache
5. As a finishing step, remove the guide and, using only the bare blades, make a definitive line at the bottom of your mustache

DETAILING SIDEBURNS, MUSTACHES & BEARDS using trimmer head.

Slowly move trimmer across desired areas to neatly trim and shape

TRIMMING ARM & LEG HAIR using trimmer head.

Simply glide the trimmer over your arm or leg until desired hair length is achieved. The first time you trim the hair, start by using a longer setting on the guide comb on the trimmer, then use progressively shorter settings if a shorter length is preferred.

TRIMMING CHEST & STOMACH HAIR with trimmer head.

Glide the trimmer over your torso region, in an upward motion until desired hair length is achieved. The first time you trim the hair, start by using a longer setting on the 5-position

guide comb on the trimmer, then use progressively shorter settings if a shorter length is preferred.

For the cleanest look, simply attach the shaver head. The shaver makes for the perfect tool to clean up, in, and around your beard, mustache, or other facial hair

Shave against hair growth while stretching the skin. After every use, remove the shaver foil by pressing the button on the shaver head and carefully using cleaning brush provided.



TRIMMING NOSE HAIR

Make sure the nasal passages are clean. Slowly move Rotary Head in and out of each nostril, no more than 1/4-inch deep. Keep the side of the cutting head firmly against the skin to prevent a tickling sensation. (The Detail Head may also be used)

TRIMMING EAR HAIR

Make sure the outer areas of the ears do not contain any wax. Hold the ear flat with one hand and carefully insert Rotary Head no more than 1/4-inch into the outer ear.

CAUTION: Do not insert the Rotary Head or any other foreign object into the inner ear. For hair growing on the outside of the ear, simply move the Rotary Head slowly along the edges of the ear. (The Detail Head may also be used)

TRIMMING EYEBROWS

Slowly move detailer to neatly trim stray hairs. For precise, even trimming, slowly move the detailer closer or farther away from eyebrows to achieve desired length.

TRIMMING WITH ATTACHMENT COMBS

Your trimmer includes three trimming attachments; stubble, medium and long. The stubble guide has 1 bar, the medium-cut attachment has two bars and the long-out attachment has three bars.

These attachments are ideal for blending, tapering and defining beards, as well as for achieving a "close trim stubble look around the face. To use the attachments, go with the hair direction. To achieve closer looks, go against the hair direction.





3-YEAR LIMITED WARRANTY

Valid in U.S.A. Only

If your Wahl product fails to operate satisfactorily within three years from the date of original purchase or receipt as a gift, Wahl will, at our option, repair or replace it and return it to you FREE OF CHARGE. Do not return this product to store where purchased. Products needing repair under this warranty should be returned with postage prepaid to:

Wahl Clipper Corp.

Attn: Repair Department

Locust Street

Sterling, Illinois 61081

Include a note describing the defect and the date of original purchase or receipt as a gift (if in warranty). Products out of warranty will be repaired at our standard repair charges.

This warranty is void and no repair or replacement will be made under this warranty or otherwise if: (1) The product is modified in any manner or repaired by anyone other than Wahl Clipper

Corporation or Wahl authorized service center. (2) The product has been used commercially or subjected to unreasonable use.

This warranty gives you specific legal rights and you may also have other rights which may vary from state to state. No other written express warranty is given. Any implied warranty, including any warranty of merchantability which may arise from purchase or use, is limited to the year period provided in this express warranty. Some states may not allow such limitation, so it may not apply to you. No responsibility is assumed for incidental or consequential damages of any type, or for the use of unauthorized attachments. Some states may not allow the exclusion or limitation of incidental or consequential damages, so the limitation or exclusion may not apply to you. Outside U.S.A., check with store for Wahl authorized distributor's warranty.

Warning

This content is compiled from multiple sources and is provided for reference purposes only. It may not be complete or fully applicable to all situations. If you are unable to resolve your issue, please contact the product manufacturer or an authorized service provider for official support.

