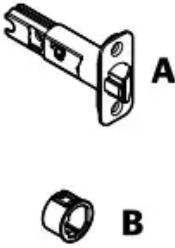
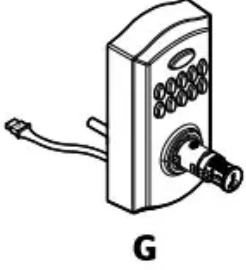
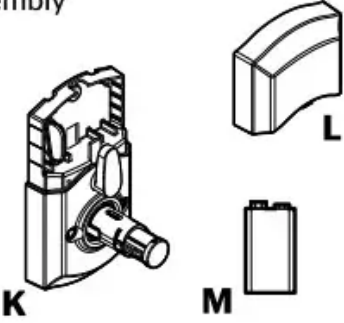



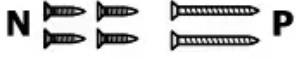



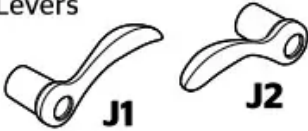
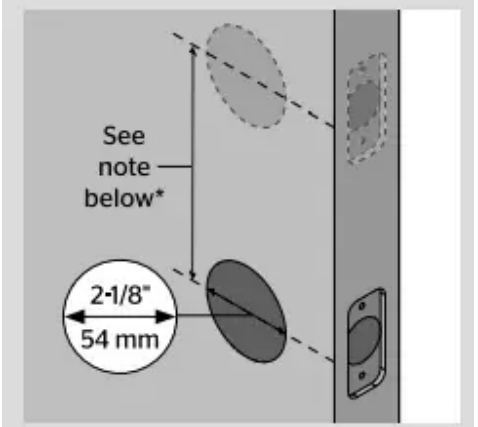
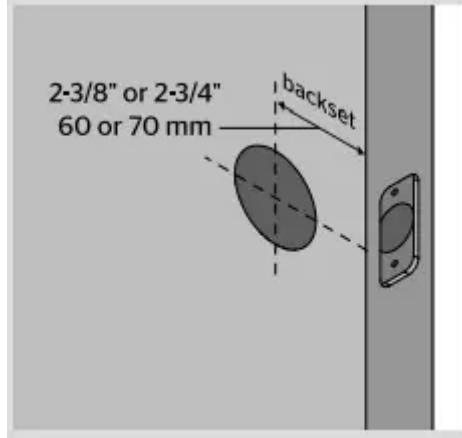
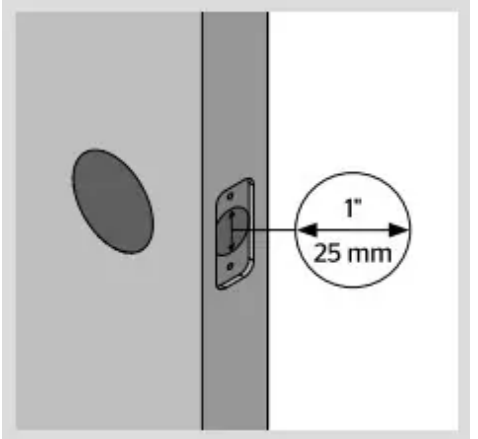
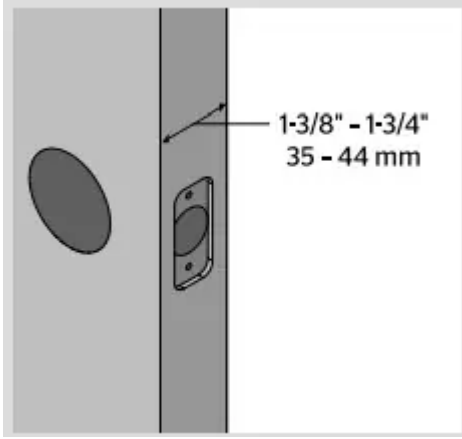


### Part in the box

<p>Latch</p> 	<p>Exterior Assembly</p> 	<p>Interior Assembly</p> 	
<p>Strike</p> 	<p>SmartKey™ Tool</p> 	<p>Allen Wrench</p> 	<p>Fasteners</p> <div data-bbox="928 833 1362 985"> <p>26298</p>  </div> <div data-bbox="928 1003 1362 1115"> <p>68221</p>  </div>
<p>Keys</p> 	<p>Spindle</p> 	<p>Levers</p> 	

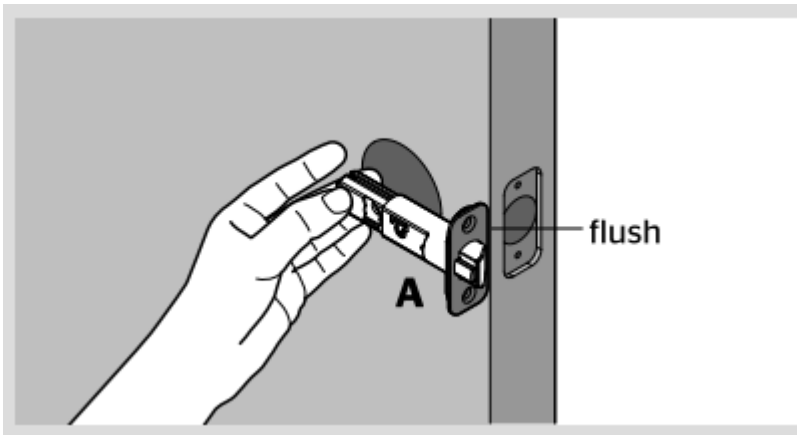


## Prepare the door and check dimensions

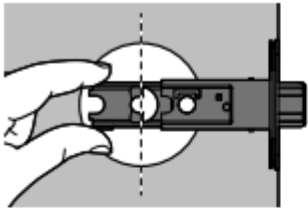
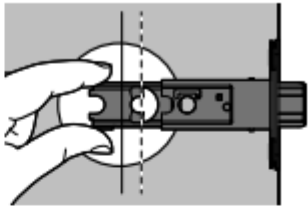
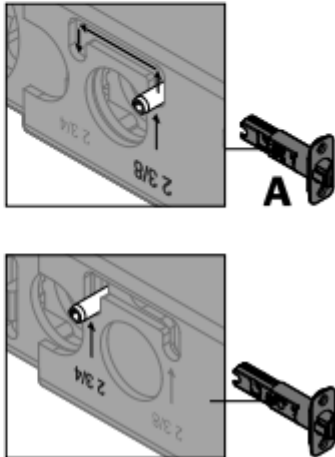
<p>A. Measure to confirm that the hole in the door is 2-1/8" (54 mm).</p>	<p>B. Measure to confirm that the backset is either 2-3/8" or 2-3/4" (60 or 70 mm).</p>
 <p>If you are installing this lever below an existing lock or you plan to install a lock above this lever, make sure that the distance between holes is at least 6 1/2" (165mm).</p>	
<p>C. Measure to confirm that the hole in the door edge is 1" (25 mm).</p>	<p>D. Measure to confirm that the door is between 1-3/8" and 1-3/4" (35mm. and 44 mm) thick.</p>
	

## Install the latch and strike

A. Hold the latch in front of the door hole, with the latch face flush against the door edge

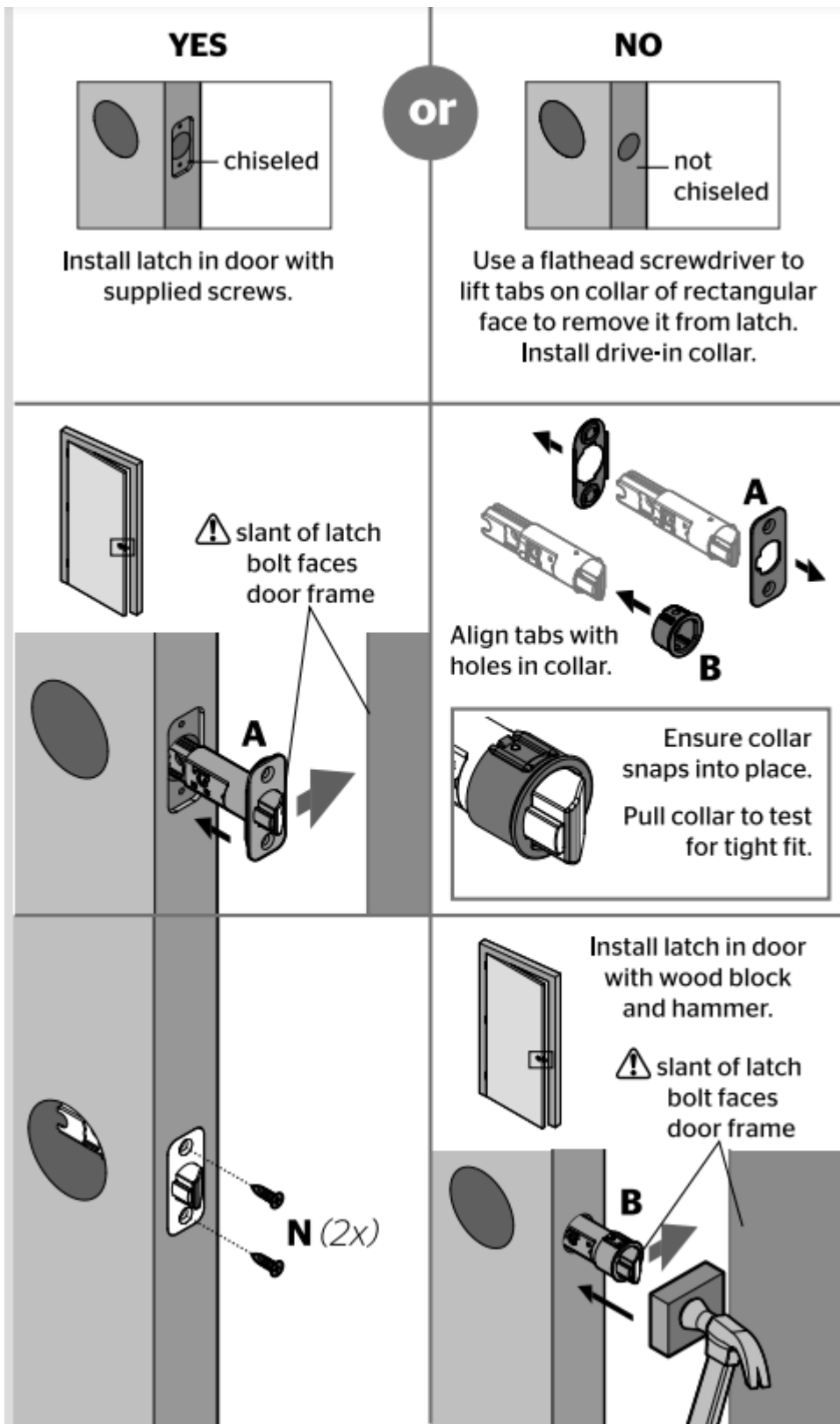


B. Are the latch holes centered in the door hole?

<p style="text-align: center;"><b>YES</b></p> 	<p style="text-align: center;"><b>NO</b></p> 
<p style="text-align: center;">No adjustment is required. Proceed to next step.</p>	<p style="text-align: center;">Move the pin to extend the latch.</p> 

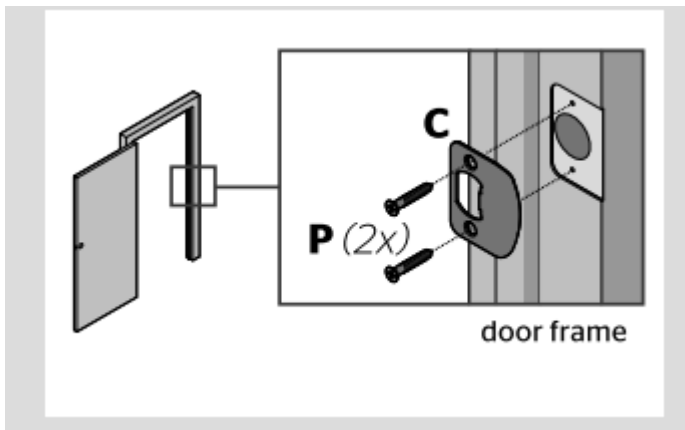
C. Is the door edge chiseled?





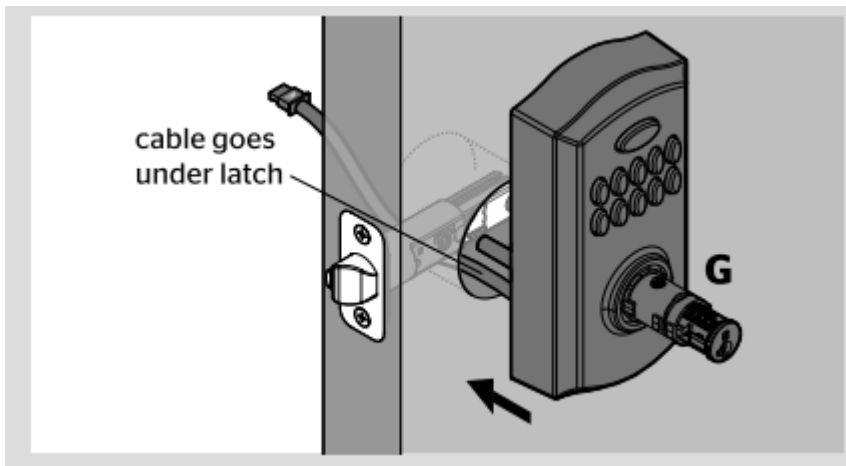
D. Install strike on the door frame



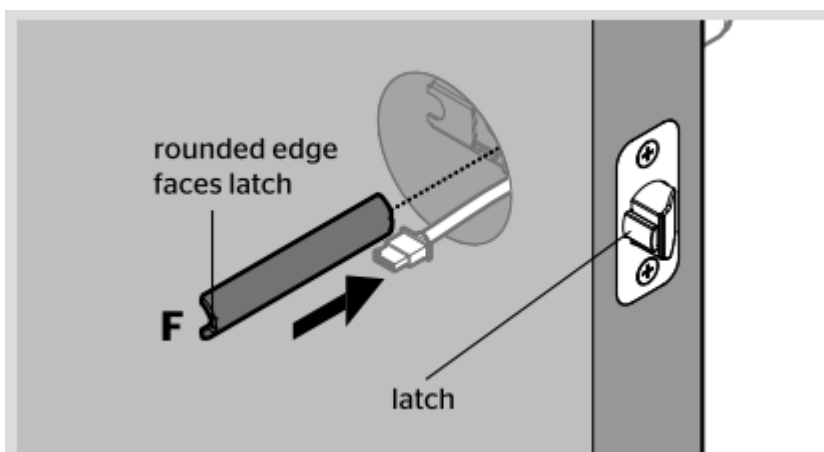


## Install the exterior keypad, spindle, and interior assembly

A. Install exterior keypad



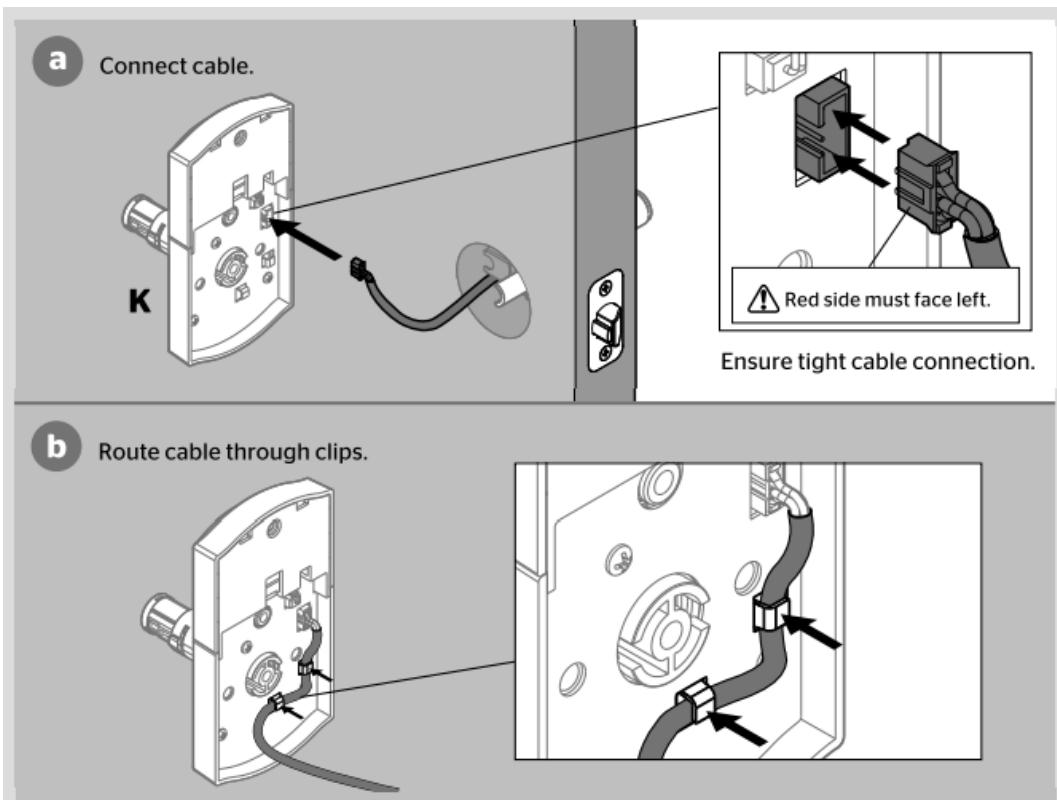
B. Install spindle



C. OPTIONAL: Install security set screw

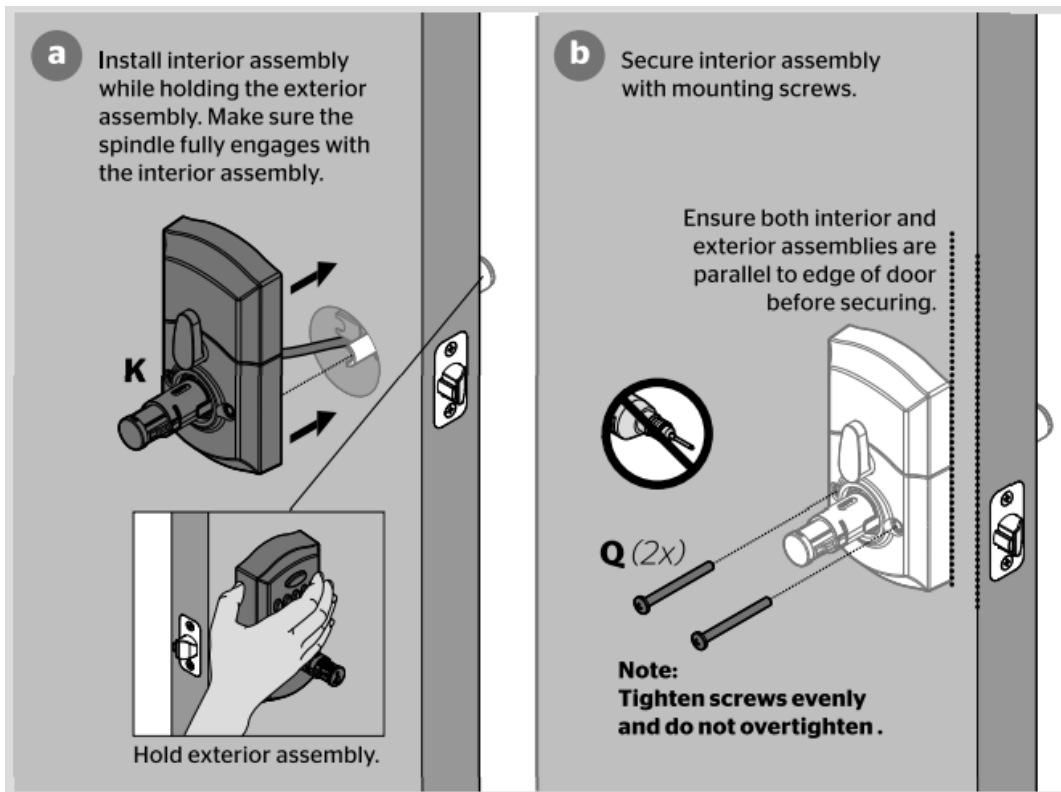


D. Connect and secure cable to interior assembly



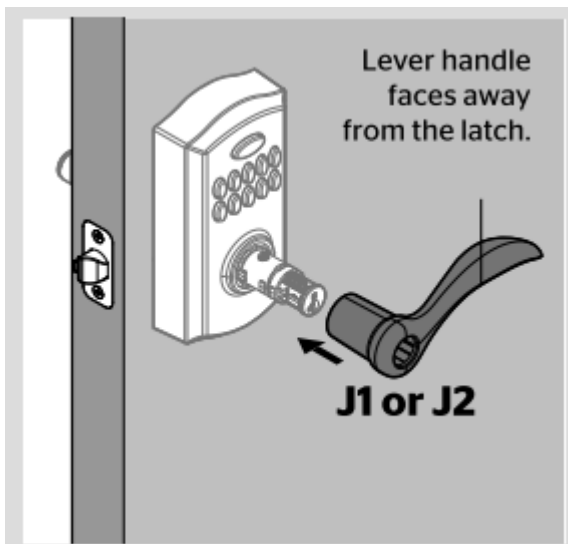
E. Install interior assembly and secure with mounting screws



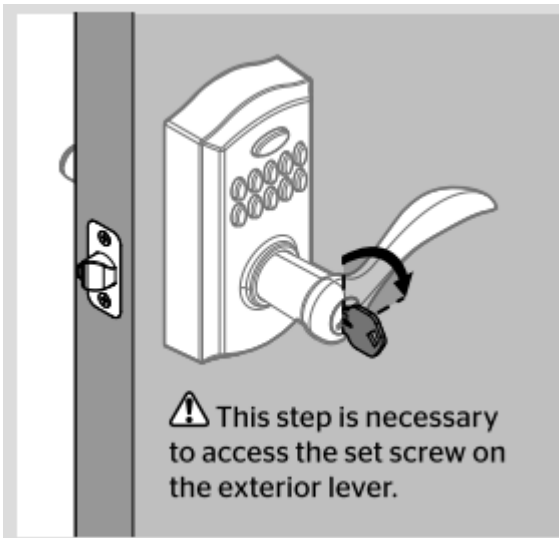


## Install levers

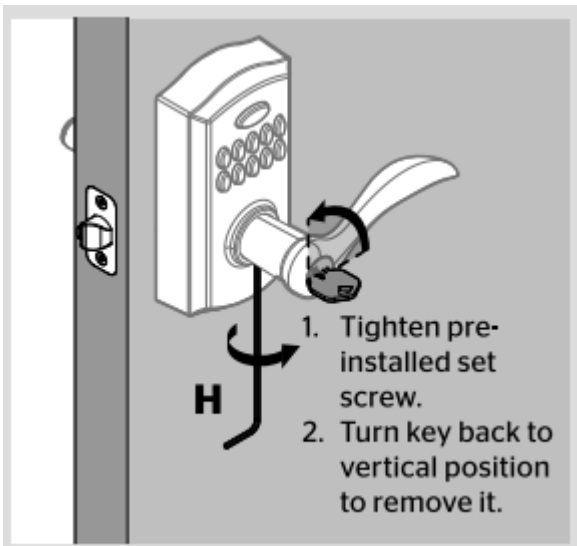
A. Install exterior lever



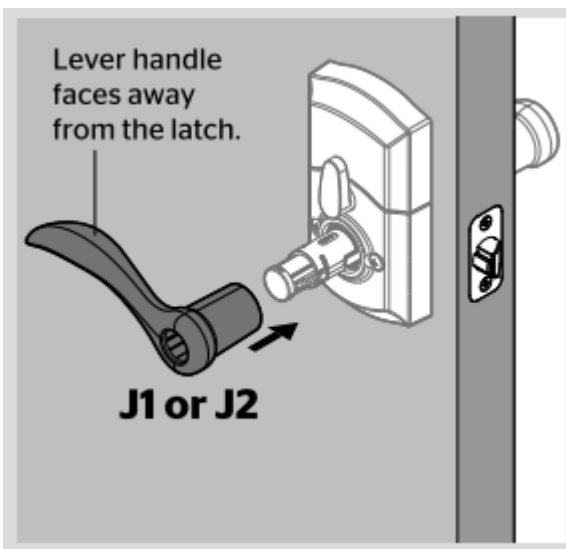
B. Insert key and turn 90° clockwise.



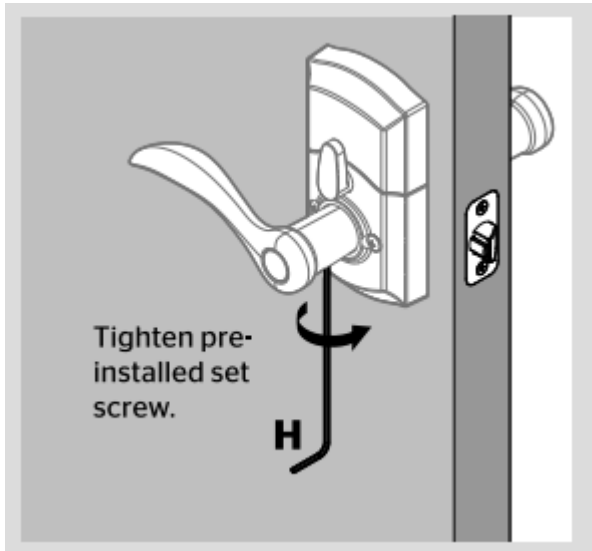
C. Secure exterior lever



D. Install interior lever



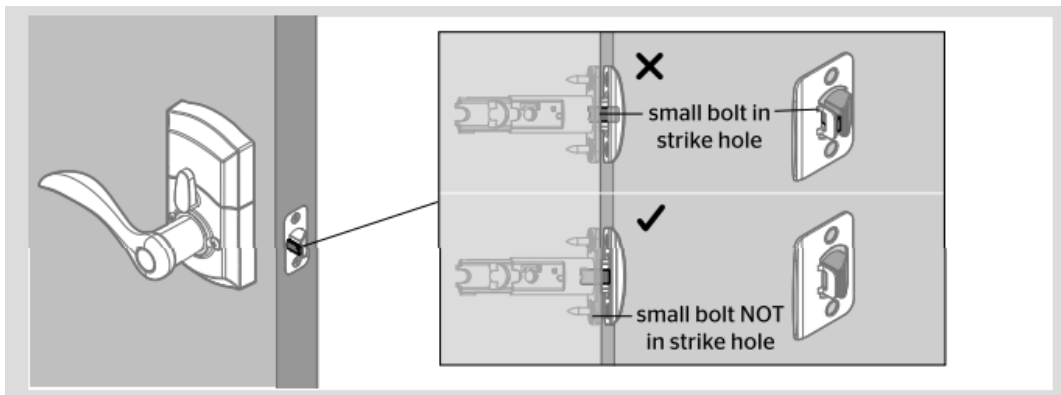
E. Secure interior lever



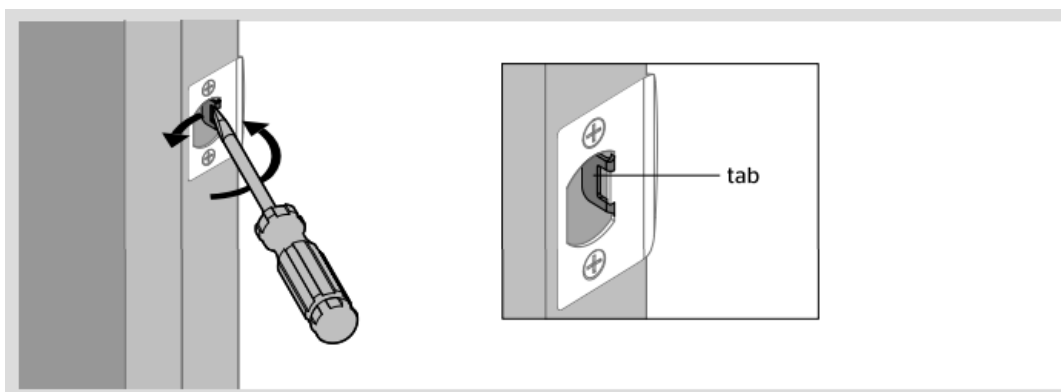
### Test latch operation

Close door. test latch operation and make adjustments as needed:

The small bolt of the latch should not enter the strike hole. If it enters the strike hole, reposition strike.

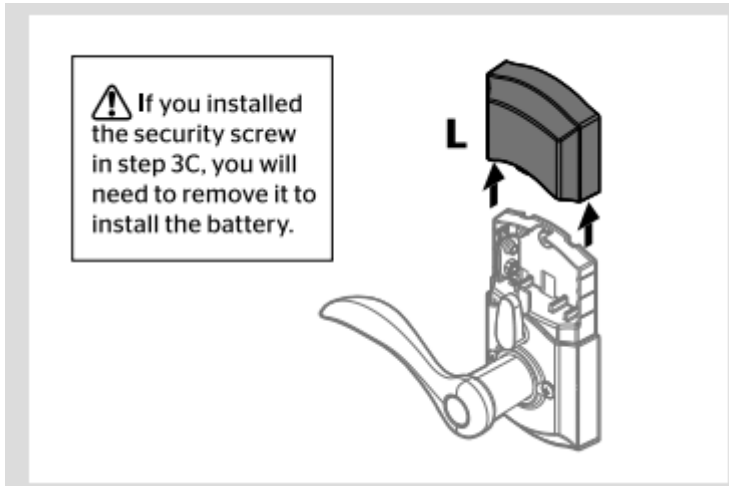


If latch is loose in the strike, adjust the strike tab so it grips the latch bolt better when the door is closed.

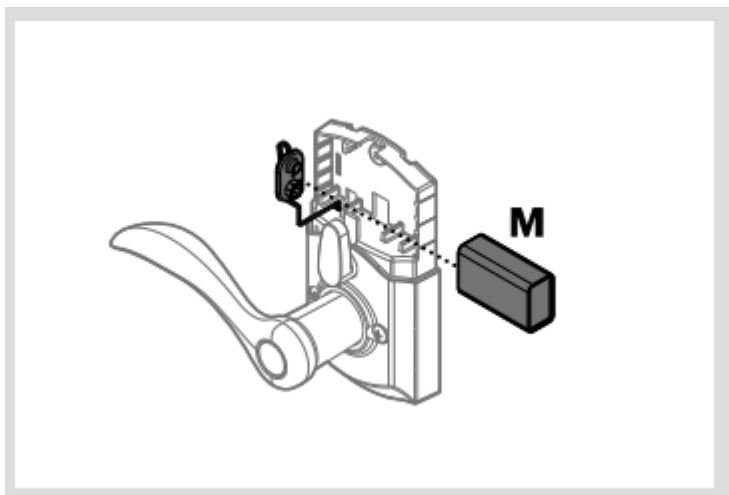


## Install battery

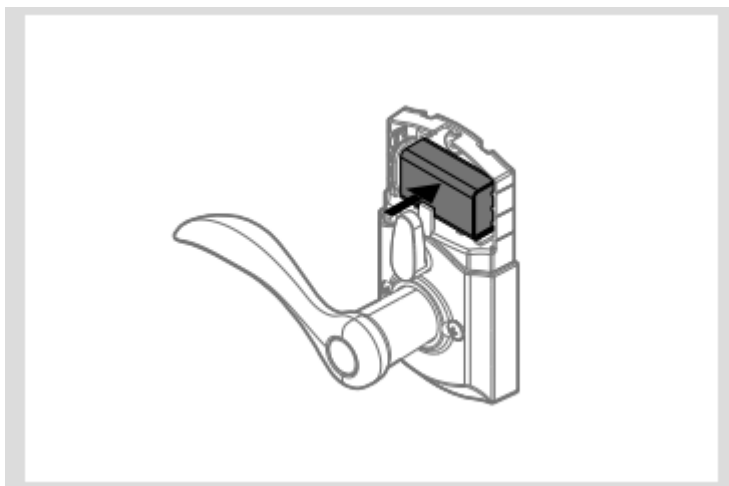
A. Remove interior cover.



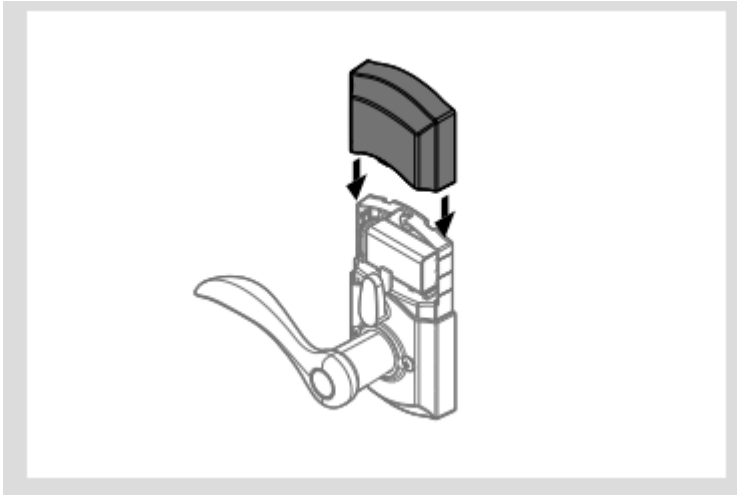
B. Connect 9V battery.



C. Secure battery into interior assembly.



D. Reinstall battery cover.

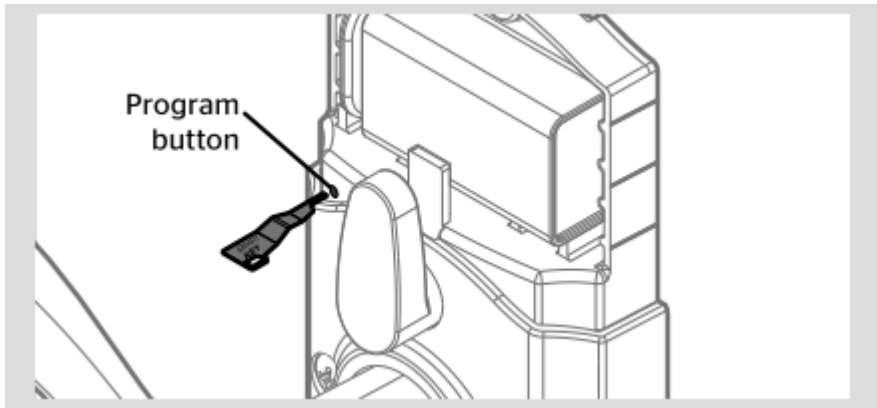


## Add user code

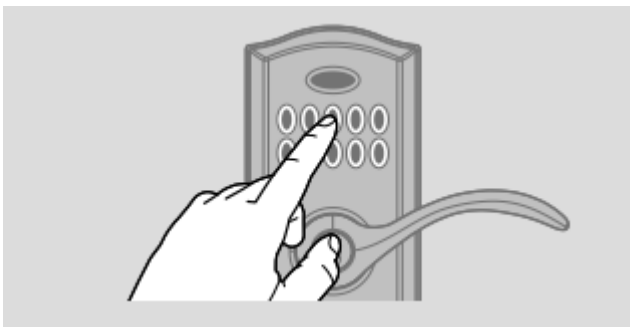
Move swiftly during programming. If no digit is pressed for 10 seconds, the system will time out and you will need to restart the procedure.

A. Make sure the door is open.

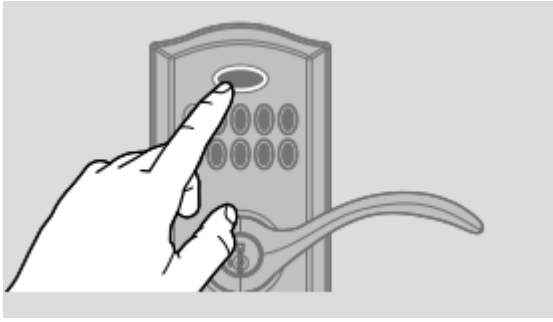
Press and release the Program button using the SmartKey tool or a paper clip. You will hear two beeps.



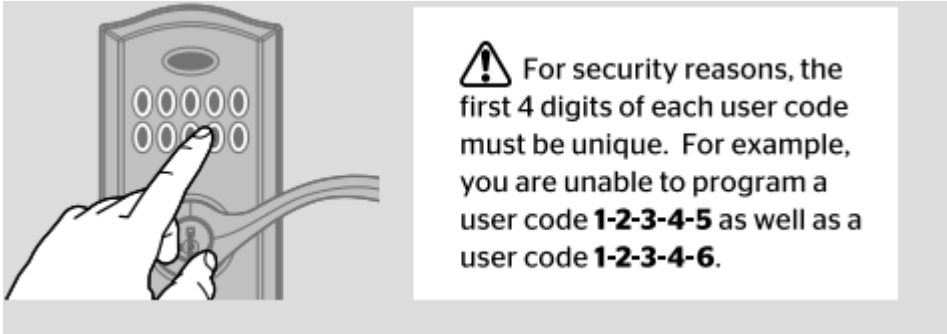
B. Press 1. You will hear one short beep and the keypad will flash green once.



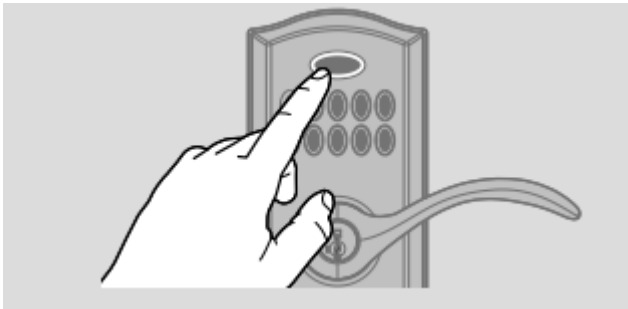
C. Press Kwikset.



D. Enter a User Code. It must be between 4 and 8 digits.



E. Press Kwikset.



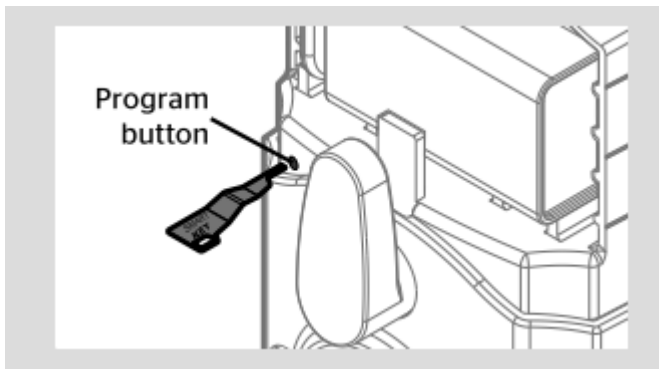
F. You will hear one long beep and the keypad will flash green if successful. If you hear three beeps and the keypad flashes red, it was unsuccessful. Repeat from step A.

## **OPTINAL: Enable/Disable programming code**

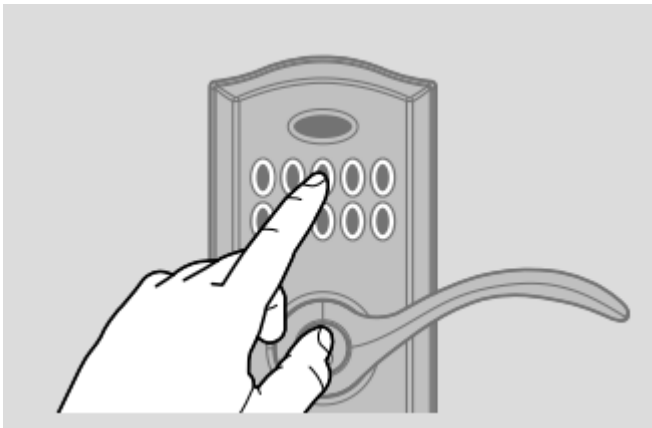
A. A Programming Code enables you to make changes without needing to access the Program button. This is ideal for landlords to allow programming from the outside, without access to the interior Program button.

Please note that once a Programming Code is enabled, the Program button is disabled and can be used only to factory reset the lock.

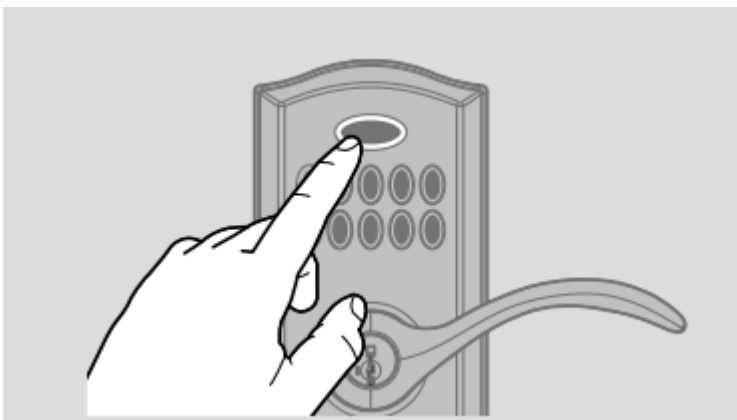
B. Make sure the door is open. Press and release the Program button using the SmartKey tool or a paper clip. You will hear two beeps.



C. Press 3. You will hear one short beep and the keypad will flash green.

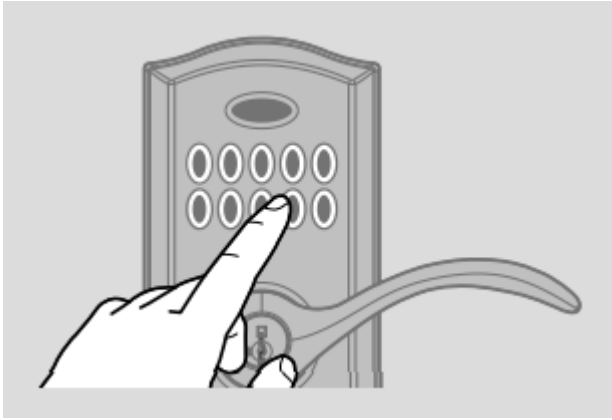


D. Press Kwikset.

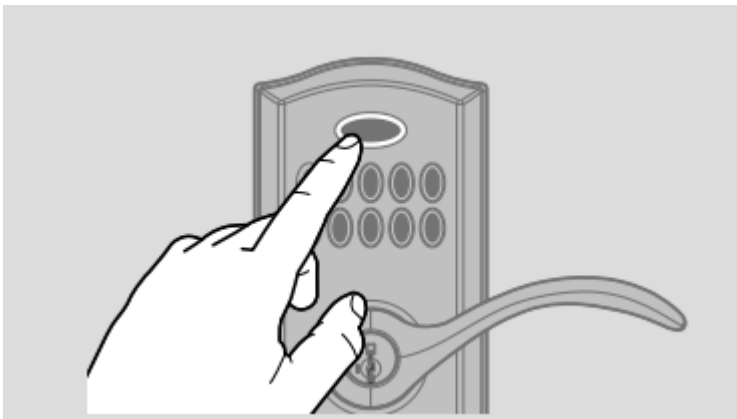


E. Enter a Programming Code. It must be between 4 and 8 digits.

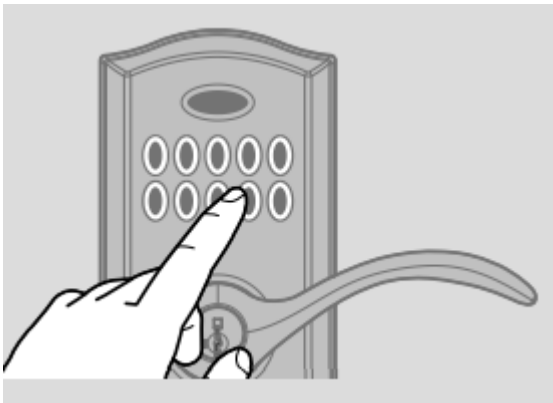
The Programming Code cannot be the same as any user code.



F. Press Kwikset.



G. Re-enter Programming Code.



H. Press Kwikset. You will hear one long beep and the keypad will flash green if successful. If you hear three beeps and the keypad flashes red. it was unsuccessful. Repeat from step A.

## Test the lock and review lock functionality

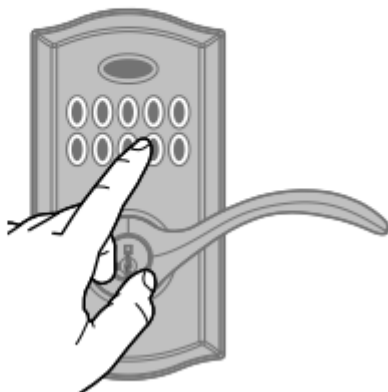
### Unlocking the Door with a User Code

Confirm that the code(s) added in previous step can unlock the door.

Enter user code.

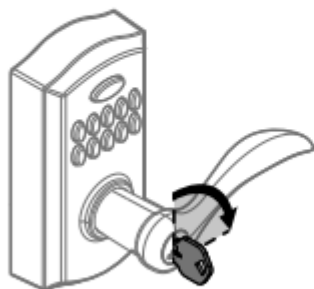
The lock will beep twice to indicate that it unlocked.

Tip: You can press the Kwikset button before entering your user code to light up the keypad at night.

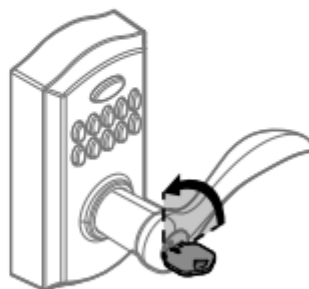


### Unlocking the Door with a Key

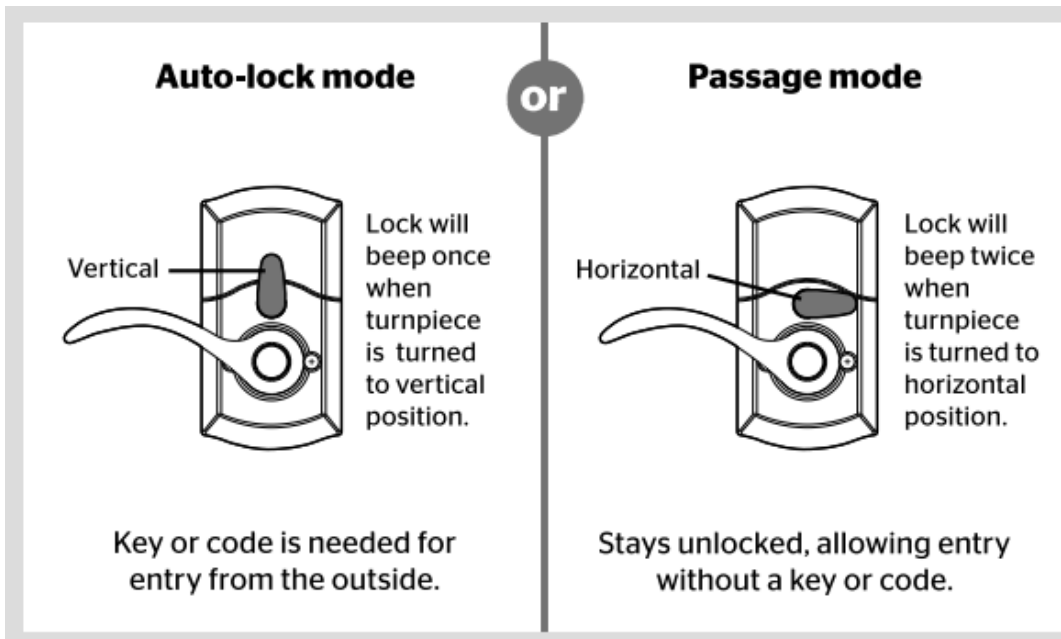
**a** To unlock using a key, turn the key clockwise to the horizontal position then turn the lever to open the door.



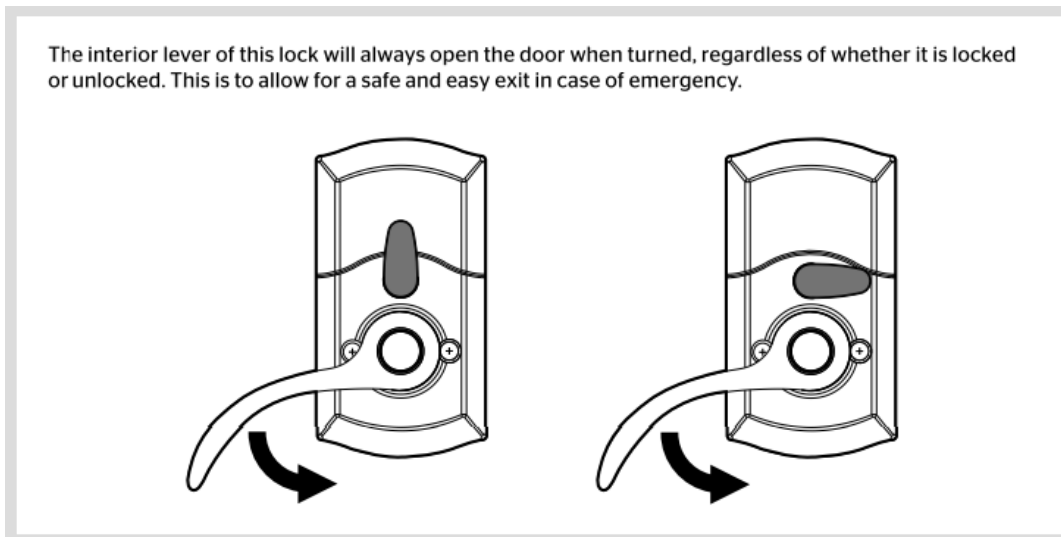
**b** To remove the key, turn the key back to the vertical position.



### Turnpiece Functions - Choosing a Mode

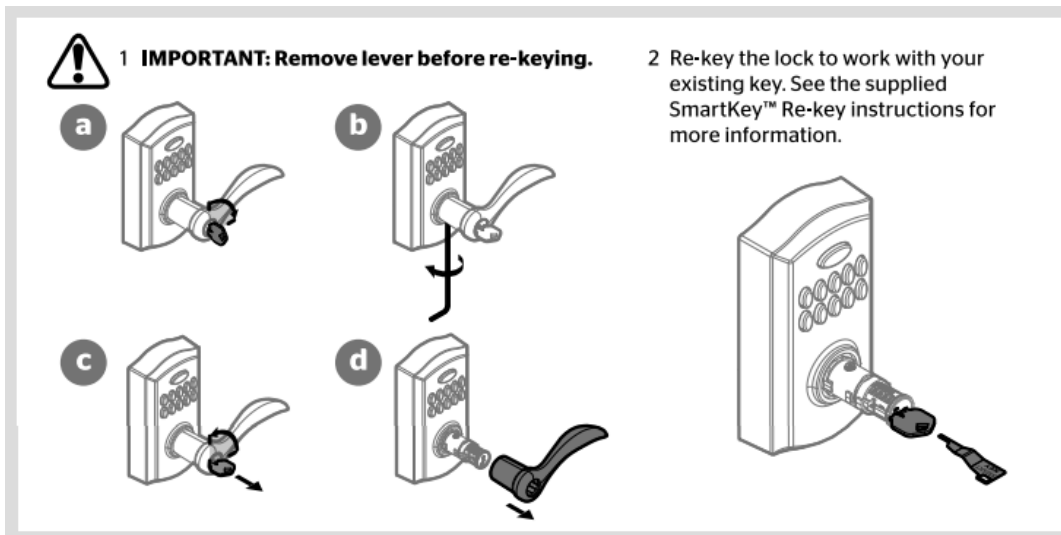


### Emergency Egress

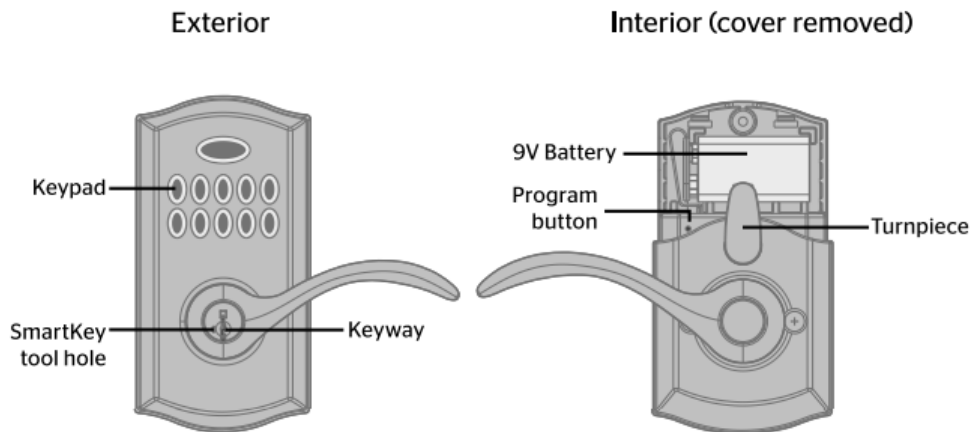


Re-key the lock (if needed)





## SmartCode 955 at a Glance



## System Signals

Use Cases	Sound	Light
Correct user code entered to unlock door	2 short beeps	2 short green flashes
Lock auto-locks	1 long beep	1 long red flash
Turnpiece rotated to unlock position	2 short beeps	None
Turnpiece rotated to locked position	1 long beep	None
Low battery alarm	10 short beeps	10 short red flashes
3 incorrect user codes entered	15 long beeps	15 long red flashes
Entering factory reset mode after Program button is pressed and held for 30 seconds.	1 long beep	None
Entering programming mode after pressing and releasing Program button	2 beeps	None
Successful programming	1 long beep	1 long green flash
Unsuccessful programming	3 short beeps	3 short red flashes

## How to add permanent or one-time User Codes

1. Make sure the door is open.
2. If you have not enabled a Programming Code, press and release the Program button. You will hear two beeps. If you have enabled a Programming Code, enter your Programming Code, then press Kwikset. You will hear one short beep and the keypad will flash green.
3. Press 1 to add a permanent user code that can be used for entry at all times, until deleted. Press 7 to add a one-time user code. A one-time user code may be used only once, which will be deleted immediately after use (typically used in emergency cases when you need to give one-time access to a person). You will hear one short beep and the keypad will flash green.
4. Press Kwikset.
5. Enter a new User Code. It must be between 4 and 8 digits. For security reasons, the first 4 digits of each user code must be unique. For example, you are unable to program a user code 4-8-1-5-1 as well as a user code 4-8-1-5-2.
6. Press Kwikset You will hear one long beep and the keypad will flash green if successful. If you hear three beeps and the keypad flashes red, it was unsuccessful. Repeat from step 1.

## How to enable/disable User Codes

1. Make sure the door is open.
2. If you have not enabled a Programming Code, press and release the Program button. You will hear two beeps. If you have enabled a Programming Code, enter your Programming Code, then press Kwikset. You will hear one short beep and the keypad will flash green.
3. Press 6 You will hear one short beep and the keypad will flash green.
4. Press Kwikset. You will hear one long beep and the keypad will flash green if successful. If you hear three beeps and the keypad flashes red, it was unsuccessful. Repeat from step 1.

## How to mute/unmute lock

If the lock is muted, you will not hear beeping during programming, normal operation, or system signals. You will still get a low battery alarm.

1. Make sure the door is open.
2. If you have not enabled a Programming Code, press and release the Program button. You will hear two beeps. If you have enabled a Programming Code, enter your

Programming Code, then press Kwikset. You will hear one short beep and the keypad will flash green.

3. Press 5 You will hear one short beep and the keypad will flash green.
4. Press Kwikset. You will hear one long beep and the keypad will flash green if successful. If you hear three beeps and the keypad flashes red, it was unsuccessful. Repeat from step 1.

## **How to delete individual User Codes**

1. Make sure the door is open.
2. If you have not enabled a Programming Code. press and release the Program button. You will hear two beeps.

If you have enabled a Programming Code. enter your Programming Code. then press Kwikset. You will hear one short beep and the keypad will flash green.

3. Press 2 to delete a user code.

You will hear one short beep and the keypad will flash green.

4. Press Kwikset.
5. Enter the User Code you wish to delete.

Press Kwikset

6. Enter the User Code Again.
7. Press Kwikset. You will hear one long beep and the keypad will flash green if successful. If you hear three beeps and the keypad flashes red. it was unsuccessful. Repeat from step 1.

## **How to delete all User Codes**

1. Make sure the door is open.
2. If you have not enabled a Programming Code. press and release the Program button. You will hear two beeps

If you have enabled a Programming Code. enter your Programming Code. then press Kwikset. You will hear one short beep and the keypad will flash green.

3. Press 4. You will hear one short beep and the keypad will flash green.
4. Press Kwikset.
5. Enter 9-9-9-9-9-9.
6. Press Kwikset.
7. Enter 9-9-9-9-9-9.

8. Press Kwikset. You will hear one long beep and the keypad will flash green if successful. If you hear three beeps and the keypad flashes red. it was unsuccessful. Repeat from step 1.

## How to change the auto-locking duration

1. Make sure the door is open.

2. If you have not enabled a Programming Code. press and release the Program button. You will hear two beeps.

If you have enabled a Programming Code. enter your Programming Code. then press Kwikset. You will hear one short beep and the keypad will flash green.

3. Press 8. You will hear one short beep and the keypad will flash green.

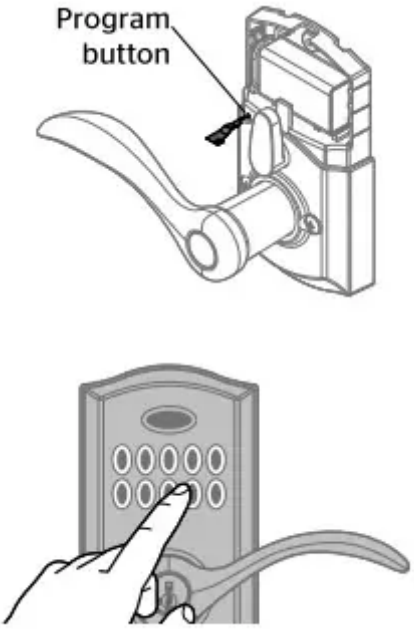
4. Press Kwikset.

5. Enter delay time between 1-99 seconds.

6. Press Kwikset. You will hear one long beep and the keypad will flash green if successful. If you hear three beeps and the keypad flashes red. it was unsuccessful. Repeat from step 1.

## Factory Reset

A factory reset will delete all codes associated with the lock.

<ol style="list-style-type: none"><li>1. Make sure the door is open and unlocked.</li><li>2. Press and hold the Program button for 30 seconds using the SmartKey" tool or a paper clip. You will hear one long beep.</li><li>3. Press and release the Program button. You will hear one short beep.</li><li>4. Test with an existing User Code. the lock should not work.</li></ol>	 <p>The diagram consists of two parts. The top part shows a side view of a door lock mechanism with a handle. A label 'Program button' points to a small button on the lock body. A hand is shown using a tool (SmartKey or paper clip) to press this button. The bottom part shows a front view of a keypad lock. A hand is shown pressing one of the buttons on the keypad.</p>
---	---

# Troubleshooting

Keypad is not responding.

- Check battery.

Desired user code cannot be programmed.

- For security reasons, the first 4 digits of each user code must be unique. For example, you are unable to program a user code 4-8-1-5-1 as well as a user code 4-8-1-5-2.

Key cannot be removed when unlocked.

- This is a feature to ensure the door is always locked and the key is removed (store room function). To remove the key, return the key to vertical position to remove.

Emergency egress function.

- This lock has an emergency egress function which allows you to exit by turning the lever on the inside, regardless of whether it is in Auto-lock or Passage mode.

## Warning

This content is compiled from multiple sources and is provided for reference purposes only. It may not be complete or fully applicable to all situations. If you are unable to resolve your issue, please contact the product manufacturer or an authorized service provider for official support.