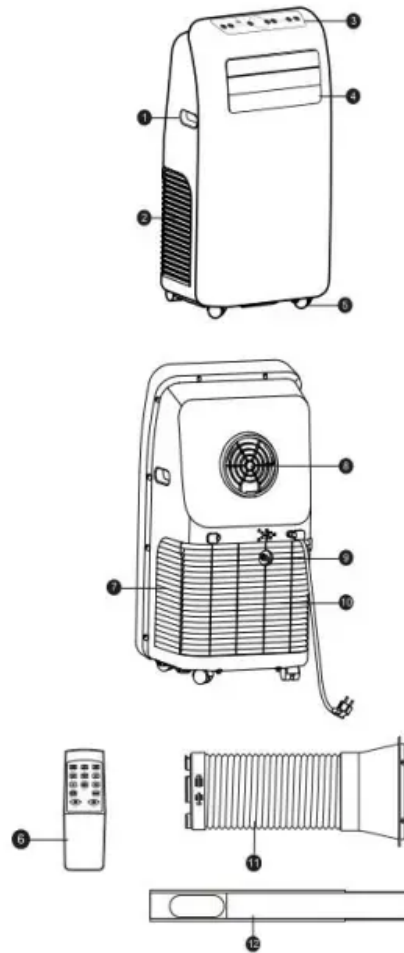


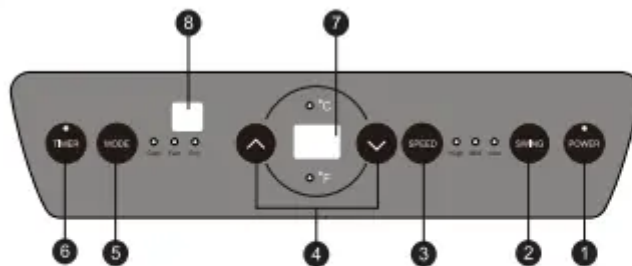
PRODUCT INTRODUCTION

MAIN PARTS AND COMPONENTS

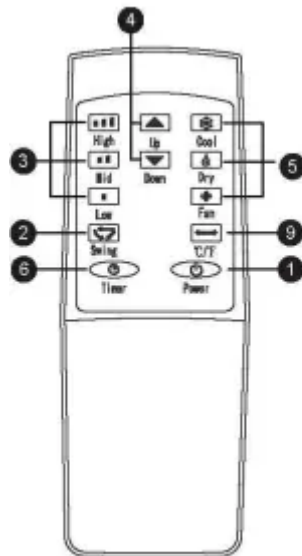
1. Handle
2. Air inlet (L)
3. Control panel
4. Air outlet louver
5. Caster
6. Remote controller
7. Air inlet (R)
8. Hot air outlet
9. Drainage nozzle
10. Air inlet grille
11. Exhaust duct assembly
12. Window sealing plate assembly



CONTROL PANEL AND REMOTE CONTROLLER



Cooling model



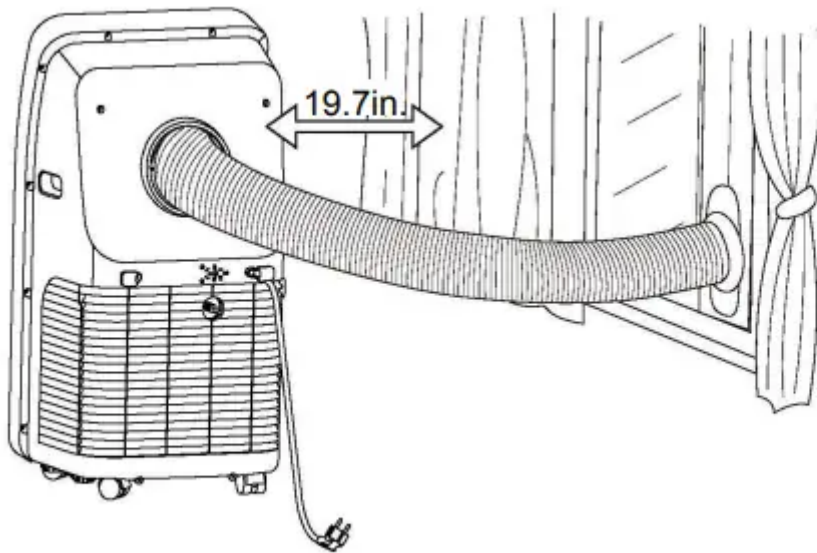
1. Power key Press the key to turn ON/OFF the A/C.
2. Swing key Press this key at any time after turning on the A/C to swing the wind guide bar automatically.
3. Speed key Press the key to choose high/middle/low gear wind speed.
4. Temperature/ time adjusting key Press the key at cooling mode to increase/reduce the setting temperature; press it at timing mode to adjust timing ON/OFF time; press Up and Down keys simultaneously to switch Fahrenheit and Centigrade degree temperature.
5. Mode key Press the key to choose cooling, fan, dehumidification
6. Timer key Press the key at standby mode to set ON time. Press this key at ON mode to set OFF time.
7. Temperature/ time display window This window displays the adjusted temperature and time.
8. Remote controller receiving window This window is used to receive signal of the remote controller.
9. °C/°F switching key Press the key to switch °C and °F.

PRODUCT OPERATION

PLACEMENT AND INSTALLATION

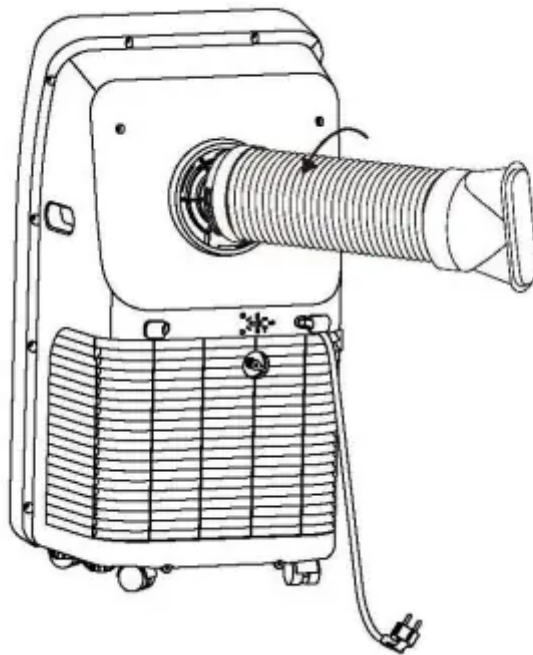
Placement

- Place it at even and dry place, and keep it at least 19.7in away from its surrounding object.

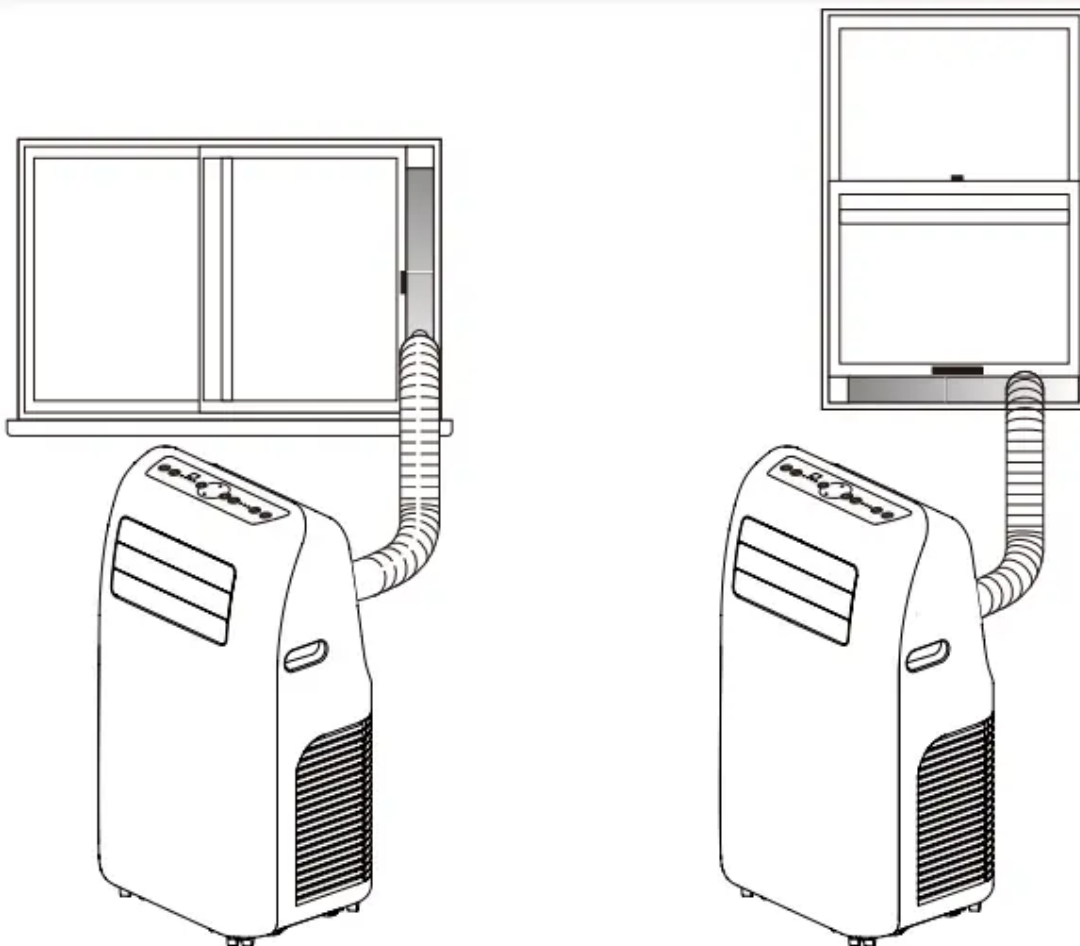


Installation

- Screw the exhaust duct assembly in the air outlet behind the panel (anticlockwise).

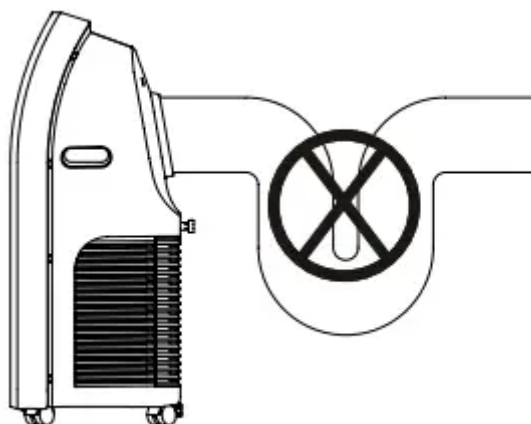


- Insert the air exhaust hose into the window sealing plate, adjust opening width of window so that the window can match with the sealing plate properly; length of the sealing plate is adjustable.



Incorrect installation

- It's important to keep the exhaust duct smooth. Incorrect installation will affect work of the A/C.
- Prevent the exhaust duct from sharp bending.
- Ensure air can flow smoothly in the duct.



Warning: The exhaust duct is designed especially for this model. Don't replace or lengthen it; otherwise, it will result in failure.

Notice: Max. developed length of the exhaust duct is 59in. It's better to shorten it while use and keep it horizontal while installation.

OPERATION METHOD

Cooling mode

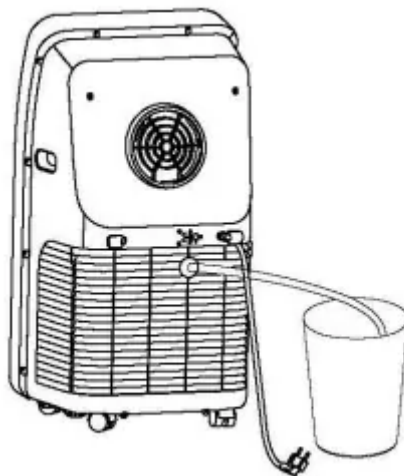
- When the A/C enters cooling mode automatically or cooling mode is selected after power ON, the cooling indicator lamp lights up.
- Press Up/Down key to adjust setting temperature (16°C~30°C) (61°F 86°F)
- Press Speed key to choose High/Mid/Low speed.

Fan mode

- When pressing mode key or choosing Fan mode by pressing the remote controller, the wind indicator lamp lights up.
- Press Speed key to choose High/Mid/Low speed.
- Temperature can't be set.

Dehumidification mode

- When pressing mode key or choosing dehumidification mode by pressing the remote controller, the dehumidification indicator lamp lights up.
- Remove the dehumidification water wedge, insert water manifold, place the other end of the water manifold into the water vessel or drainage passage, as shown in the right figure.
- (61°F 86°F) In dehumidification mode, the fan is defaulted to run at low speed, and wind speed can't be adjusted.
- Temperature can't be set.



Timer mode

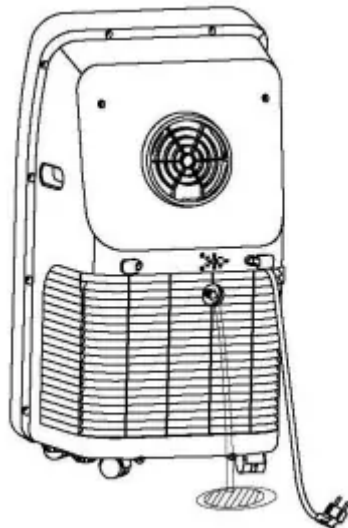
- In standby state, press the Timer key to set ON time. Press Up and Down keys to set ON time (1~24H), and the timer indicator lamp lights up.
- In ON state, press the timer key to set OFF time. Press Up and Down keys to set OFF time (1~24H), and the timer indicator lamp lights up.

CLEAN AND MAINTENANCE

DRAINAGE DRAINAGE METHOD:

This product is equipped with automatic water vaporization system. The condenser is cooled with the circulating of condensing water, so as to improve cooling efficiency and save energy.

- If the internal vessel is full of water, the display screen will display “FL”, and the compressor stops working automatically. After power off, unscrew the water cover, pull out the water plug to drain off water, and it will become normal after being restarted.



MAINTENANCE

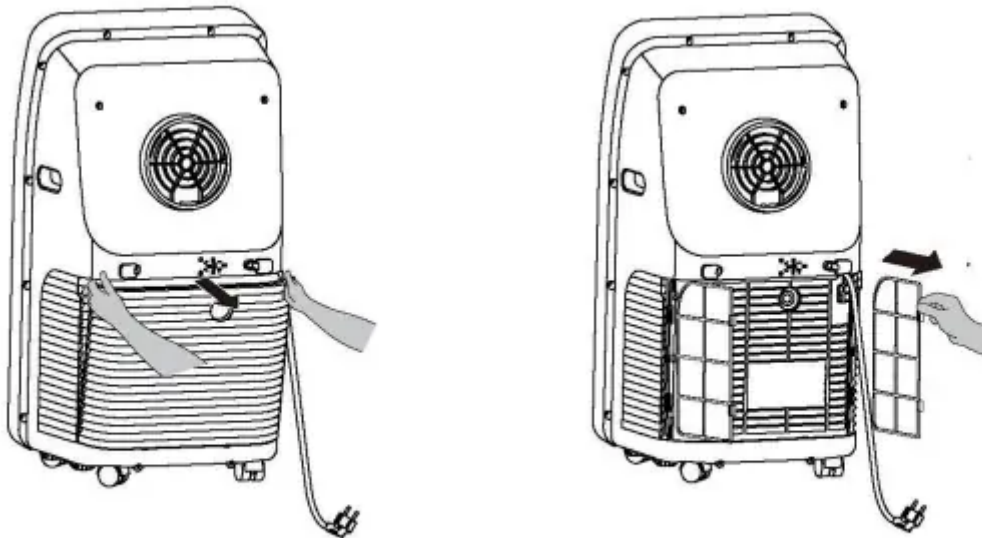
Notice: in order to avoid electric shock, please turn off the A/C and unplug before maintenance or repair.

CLEANING

- Unplug before cleaning.
- Wipe with soft semi-dry cloth. Don't use chemical reagent, such as benzene, alcohol and gasoline etc; otherwise surface of the A/C and even the whole A/C will be damaged.
- Prevent water from spattering in the A/C.

FILTER SCREEN

- Vacuum the filter screen once every two weeks. If it is blocked by dust, efficiency of the A/C will be reduced.
- Take out the air inlet grille and pull out the filter screen at both sides according to the direction shown in the following figures. Use vacuum to remove lint from filters.
- Put the filter screen into the warm water (about 104°F) added with neutral detergent, dry it at a shady place after cleaning.



SEASONAL CLEANING: If the A/C will not be used for a long time:

- Pull out the water plug to drain.
- Run the A/C in fan mode for 2H till the inside is dry.
- Turn off the A/C and unplug.
- Wash the filter screen and reassemble it.
- Dismantle the exhaust duct and keep it properly.
- Cover the A/C with a plastic bag and place it at a dry place.
- If possible store unit in its original box.

Troubleshooting

COMMON FAILURES AND DIAGNOSIS

INTELLIGENT ERROR DETECTION

- E1: Error of the coil's temperature sensor
- E2: Error of indoor temperature sensor

- E4: Anti-freezing protection: temperature of the coil is too low and the whole A/C is off. When temperature exceeds 46°F, the protection is released and previous working state is recovered.

FUSE PARAMETERS

- Specification: $\Phi 5 \times 20$ mm
- Voltage: 250VAC
- Current: 3.15A

TROUBLE-SHOOTING

In case of any of the following trouble, please contact professional maintenance personnel in time

1. The A/C doesn't work

- No display
 - Reset circuit breaker on AC cord
- The display panel displays "FL"
 - Restart the A/C after power off and draining, then it will become normal
- Time OFF function is started
 - The A/C can be restarted 3 minutes after being turning off.

2. The A/C starts frequently

- Direct sunlight
 - Draw the curtain
- Doors and windows keep open; there are lots of people or heat source in room
 - Close doors and windows, remove heat source
- Filter screen is very dirty
 - Clean or replace it
- Air inlet or air outlet is blocked
 - Remove the stem

3. Big noise of the A/C

- The A/C is placed unevenly
 - Place it at even and firm ground, avoid shaking

4. The compressor doesn't work

- Its delay protection is started
 - Wait for 3min., turn on after temperature decreases

Notice: When there is any abnormal to the A/C, turn it off and unplug, and then contact professional maintenance personnel.

The above technical parameters are subject to change without notice

Q&A

1. Does it have a reservoir to collect condensation or need a drain hose?

- It had an area to connect a hose to drain condensed water if/when it becomes full. However, we live in Florida and use 1 machine for our 2-car garage-conversion without any water/drainage issues or needs. If you have the temp set at a reasonable number, you should have no drainage or leaking issues/needs. Humidity is HIGH in Florida, and yet at 76* we have shown no water issues

2. Why does it have to go through a window? I thought that was the point of it being "portable"

- It has to be vented out the window. The compressor creates heat that needs to be vented out.

3. Can the fan pull air from outside?

- A single-hose AC will lower the pressure of the area you are trying to cool. This is the air used to cool the heat exchanger. This means air will be drawn in from the outside through cracks, open doors, etc. A dual-hose AC gets around this by drawing in the air needed to cool the heat exchange from the outside.

4. How long is the sealing plate that goes in the window? My window is 56" tall and opens sideways.

- It comes in to pieces and each pieces is 27 inches so absolute max is 54 inches and that is end to end which know support.

5. How long is the hose? My bed blocks my window by a few feet so it would have to stretch little bit

- Maximum length of hose is 59". So that's just under 5 feet (60").

IMPORTPRECAUTIONS ANT SAFETY TIPS

PRECAUTION: Please read the Manual carefully before operating the machine:

- This machine is for household use only.
- This machine is for indoor use only. Please place it in dry environment.

- Check power cord frequently. When power cord, plug or A/C is damaged, please don't operate. If the power cord is not long enough, power extension cable can be used. Cable should not scatter at places where power cord may be pulled out or people may be stumbled.
- The A/C should be away from heat source and avoid direct sunlight.
- Turn off the A/C before unplugging.
- Turn off and unplug the A/C before removing or cleaning it, or replacing its parts or when it is not used.
- Clean the A/C according to the Manual.
- Voltage of the A/C should meet requirements. Any damage incurred by incorrect power isn't included in the warranty.
- Children are not allowed to play with the A/C. This appliance is not intended for use by children, unless they have been given supervision or instruction concerning use of the appliance by a person responsible for their safety.
- Don't insert your fingers or any hard object to wind guide bar of the air outlet.
- Don't place the A/C at any place with water or other liquid. Prevent water or liquid from entering the A/C.
- Don't repair the A/C by yourself. Any possible hazard incurred by maintenance of laypeople will violate the warranty. If the supply cord is damaged, it must be replaced by professional maintenance personnel.
- Please use the accessories provided by the A/C manufacturer; otherwise, the A/C may be damaged.
- Cleaning and user maintenance shall not be made by children without supervision.

Special warning:

- Place the A/C on even ground and install it vertically, so as to ensure normal operation of the compressor.
- The A/C should be at least 19.7in . away from surrounding objects. Keep air inlet and outlet smooth.
- Don't use the A/C beside gasoline or any other inflammable liquid.
- Don't use spraying agent and other solvent or flammable substances near the A/C; otherwise, its plastic may deform and electric parts may be damaged.

Power

- The plug should be in good condition and can't be damaged. Don't replace the plug with power lug.
- In order to run the A/C, plug the power cord first, and then press the power key.
- Place unit in upright position for 2 hours before turning on for first time.

Warning

This content is compiled from multiple sources and is provided for reference purposes only. It may not be complete or fully applicable to all situations. If you are unable to resolve your issue, please contact the product manufacturer or an authorized service provider for official support.

Document generated by [ManualsFile](#)