

## FEATURES

(Not all features are on all models)

### About the temperature controls

Not all features are on all models. Your controls may be similar to the following:

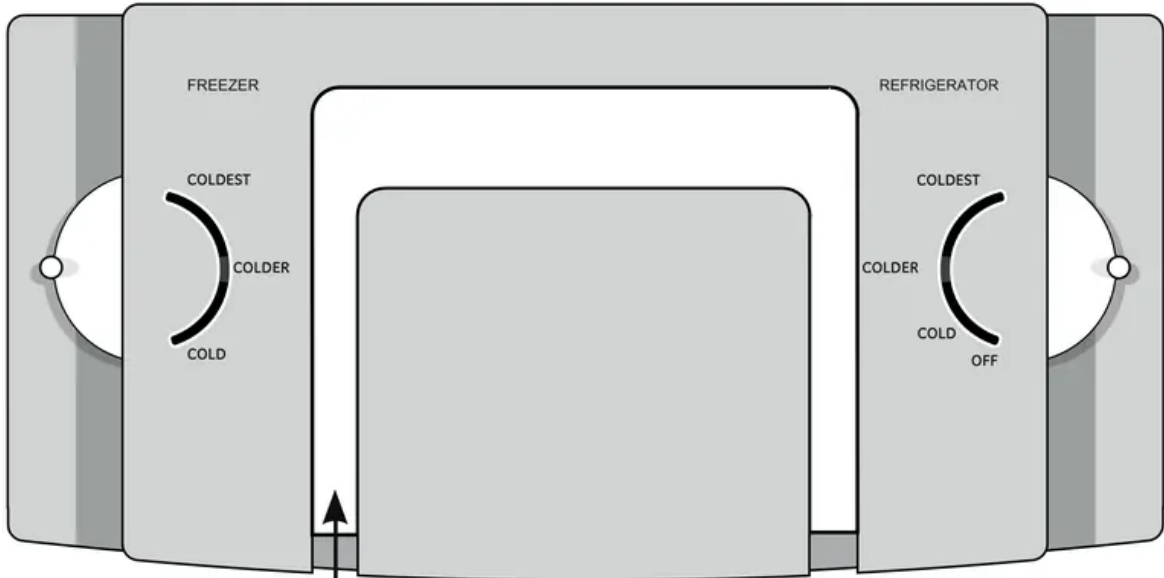


Figure A

**Note:** Do not block air outlet by placing food items directly against it. Erratic temperatures may result.

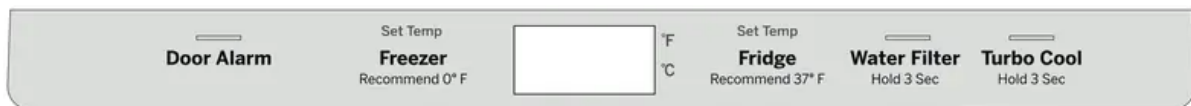


Figure B

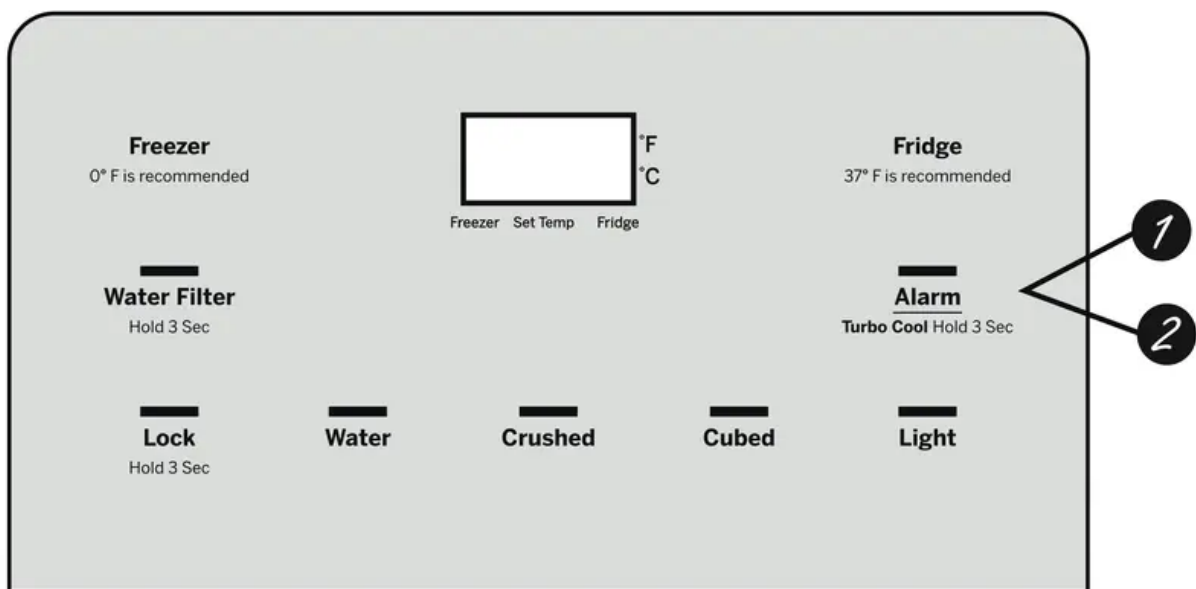
**Models with Figure A**, the temperature controls knobs are preset in the Factory at Colder / Colder position for both refrigerator and Freezer compartments. Allow 24 hours for temperature to stabilize to the preset recommended settings.



### Knob position temperature guide

Refrigerator		Freezer	
Coldest	34°F (1.1°C)	Coldest	-6°F (-21.1°C)
Colder	37°F (2.8°C)	Colder	0°F (-17.8°C)
Cold	44°F (6.7°C)	Cold	6°F (-14.4°C)

**Models with Figure B and C**, the temperature controls are preset in the factory at 37°F for the refrigerator compartment and 0°F for the freezer compartment. Allow 24 hours for the temperature to stabilize to the preset recommended settings.



**Figure C**

**1. Door Alarm** (on some models)

To set the alarm, press this pad. The indicator light will come on (models with Figure C controls only). This alarm will sound if either door is open for more than 2 minutes. The beeping stops when you close the door.

**2. TurboCool™**

Models with figure B: To set the TurboCool™ press Turbo Cool pad for 3 seconds. Display will show tc.

Models with figure C: To set the TurboCool™ press Alarm pad for 3 seconds. Display will show tc.

TurboCool™ rapidly cools the refrigerator compartment in order to more quickly cool foods. Use **TurboCool™** when adding a large amount of the foods after they have been sitting out at room temperature or when putting away warm leftovers. It can also be used if the refrigerator has been without power for an extended period.

**NOTES:** The refrigerator temperature cannot be changed during TurboCool™. The



freezer temperature is not affected during TurboCool™. When opening the refrigerator door during TurboCool™, the fans will continue to run if they have cycled on.

**NOTE Fig. B & C:** To put the refrigerator control in the OFF position, simultaneously touch the words Freezer and Fridge for 3 seconds. Power to the refrigerator cannot be disconnected by any setting on the control panel.

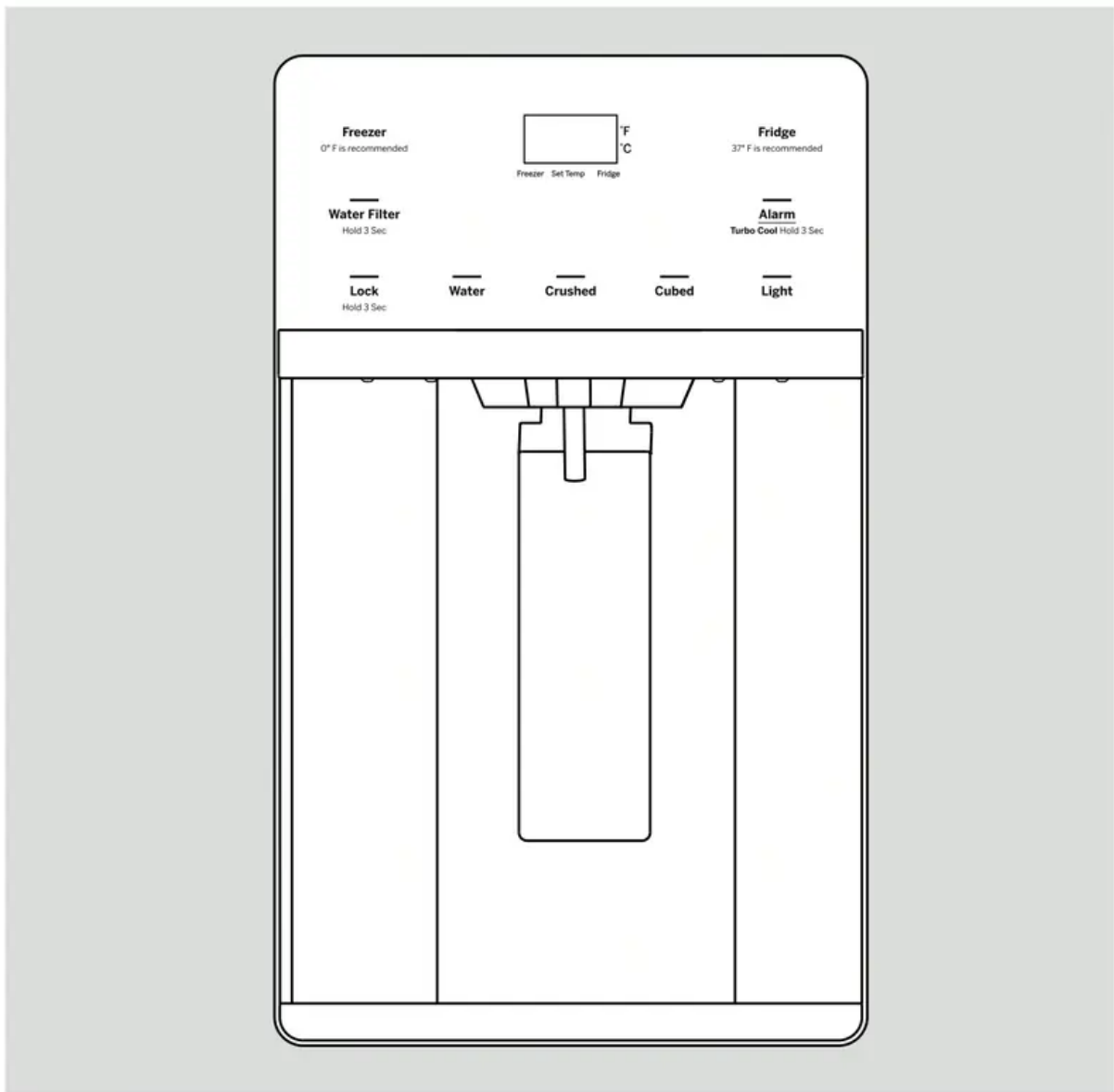
### **About the water dispenser (on some models)**

#### **Dispenser** (on some models)

Press the glass gently against the dispenser cradle.

The spill shelf is not self-draining. To reduce water spotting, the shelf should be cleaned regularly.

If no water is dispensed when the refrigerator is first installed, there may be air in the water line system. Press the dispenser arm for at least two minutes to remove trapped air from the water line and to fill the water system. To flush out impurities in the water line, throw away the first six glassfuls of water.



## Spill Shelf

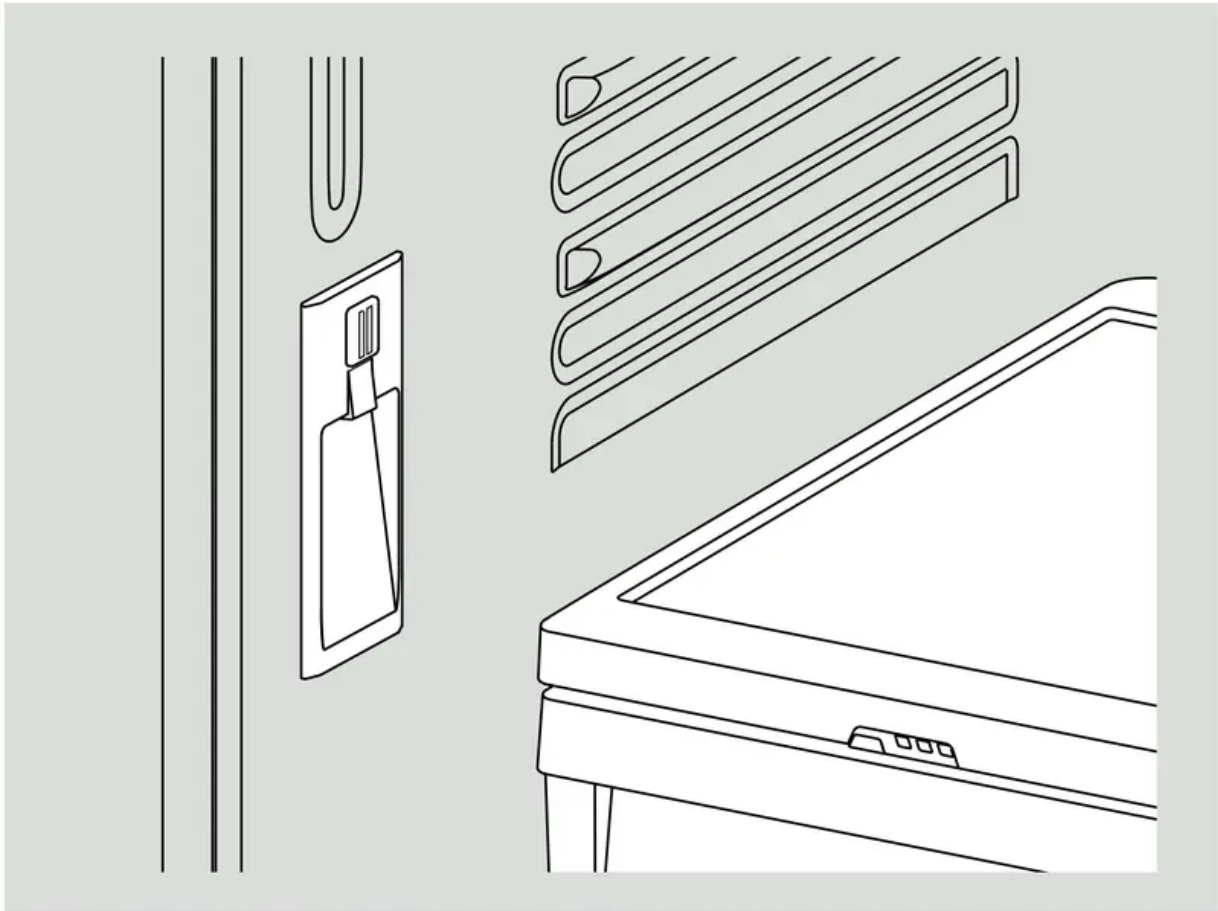
### **Internal Water Dispenser** (on some models)

The water dispenser is located on the left wall inside the refrigerator compartment.

To dispense water:

1. Hold the glass against the recess.
2. Push the water dispenser button.
3. Hold the glass underneath the dispenser for 2–3 seconds after releasing the dispenser button. Water may continue to dispense after the button is released.

**NOTE:** To avoid water deposits, the dispenser should be cleaned periodically by wiping with a clean cloth or sponge.



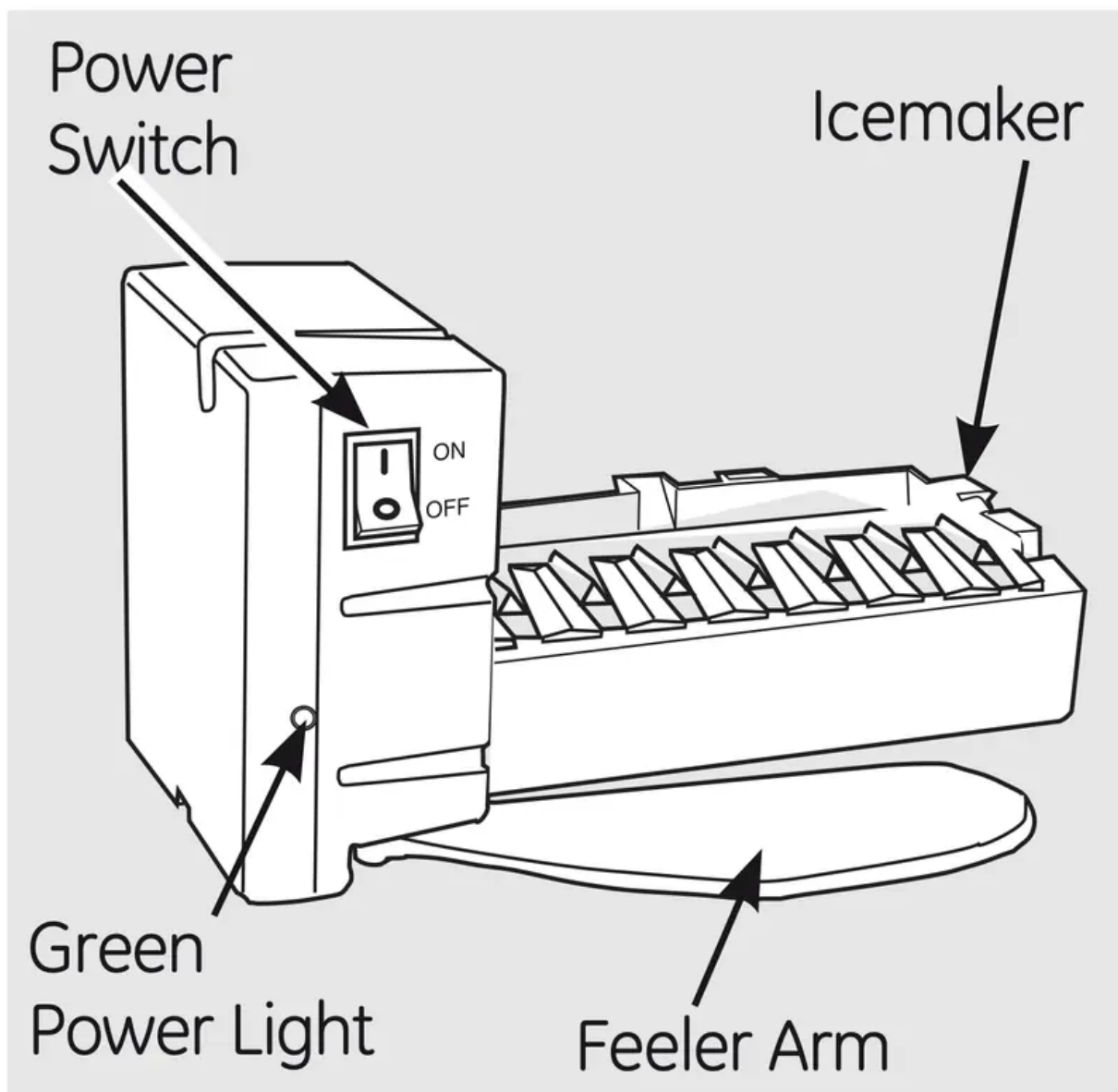
### **About the automatic icemaker (on some models)**

A newly installed refrigerator may take 12 to 24 hours to begin making ice.

#### **Automatic Icemaker**

The icemaker will produce seven cubes per cycle-approximately 100-130 cubes in a 24-hour period, depending on freezer compartment temperature, room temperature, number of door openings and other use conditions.

Throw away the first few batches of ice to allow the water line to clear.

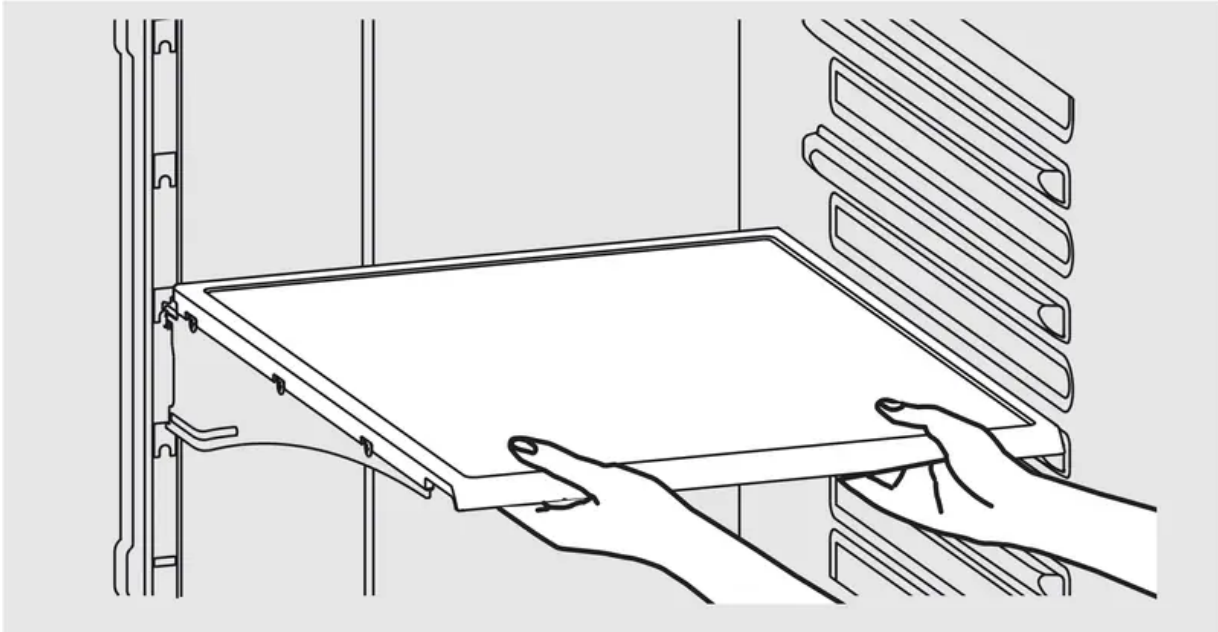


**CAUTION:** Avoid contact with the moving parts of the ejector mechanism, or with the heating element (located on the bottom of the icemaker) that releases the cubes. Do not place fingers or hands on the automatic ice making mechanism while the refrigerator is plugged in.

### **About shelves, bins and ice box door**

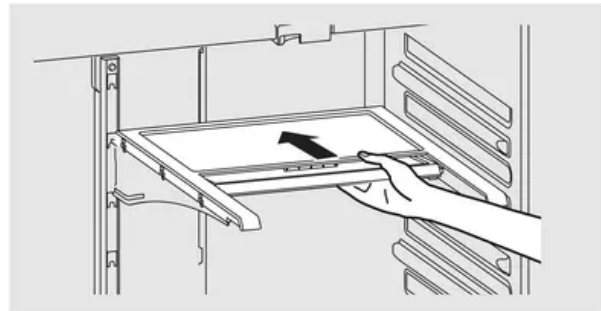
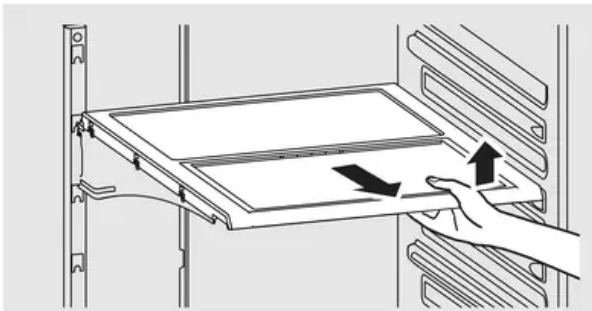
Not all features are on all models.

Lift up on the front and then up on the back to remove shelf.

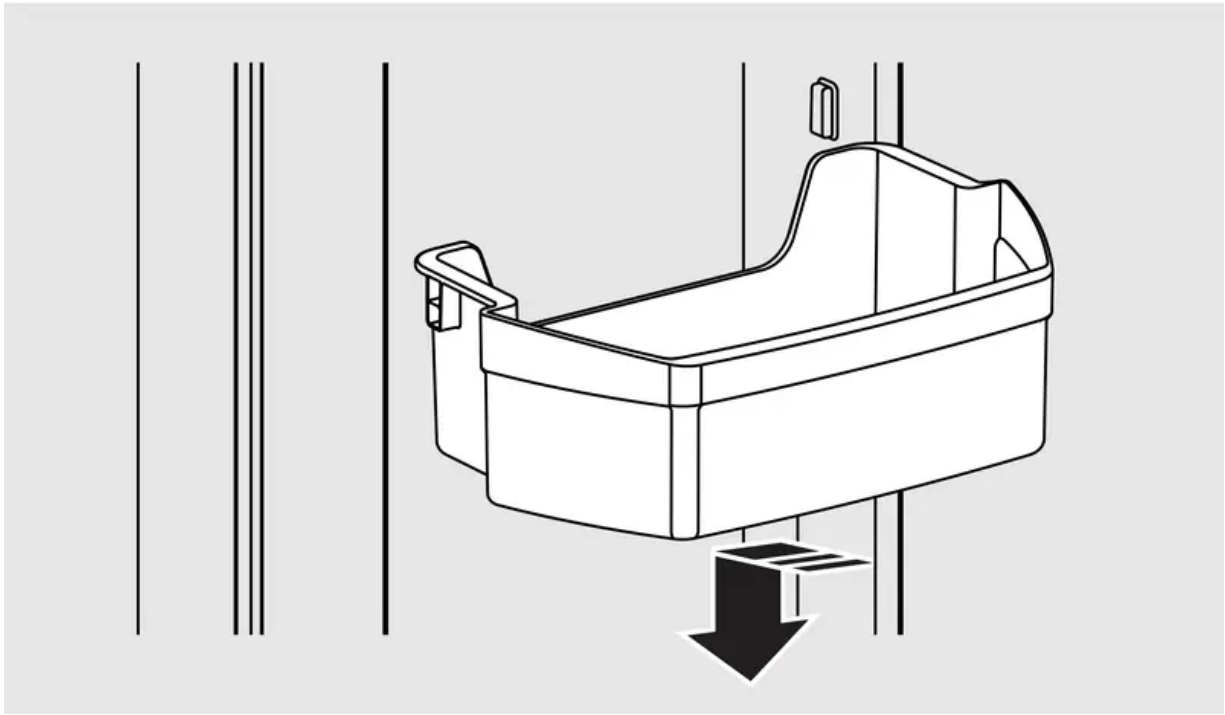


**Quick Space Shelf** (on some models) can retract to half its size for storage of tall items on the shelf below.

Pull shelf out and up, slide shelf back until it stops to create halfshelf. Pull up and forward , then down to return to full shelf.

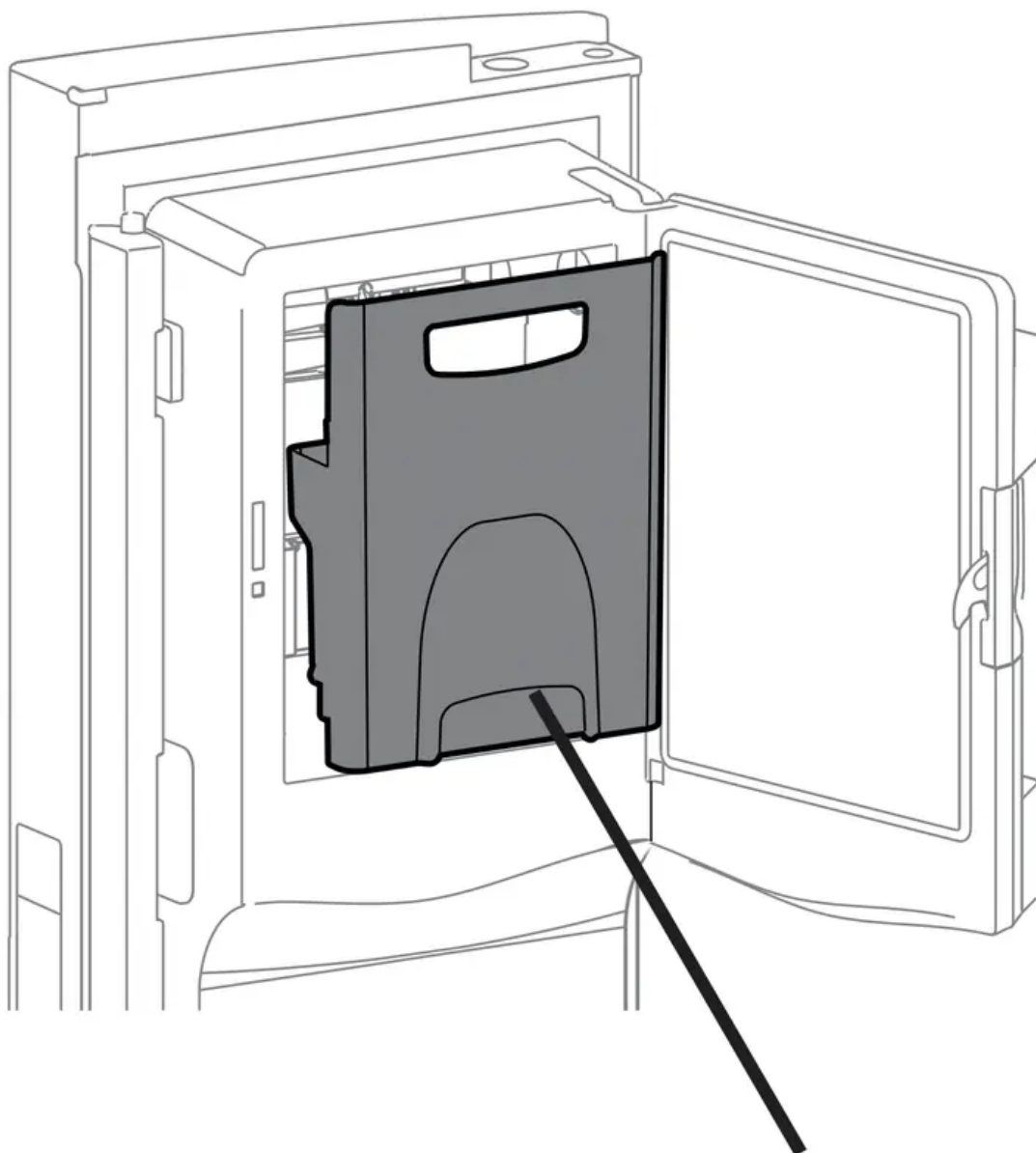


**Adjustable door bins** can be removed for cleaning.



**Door ice bin\***

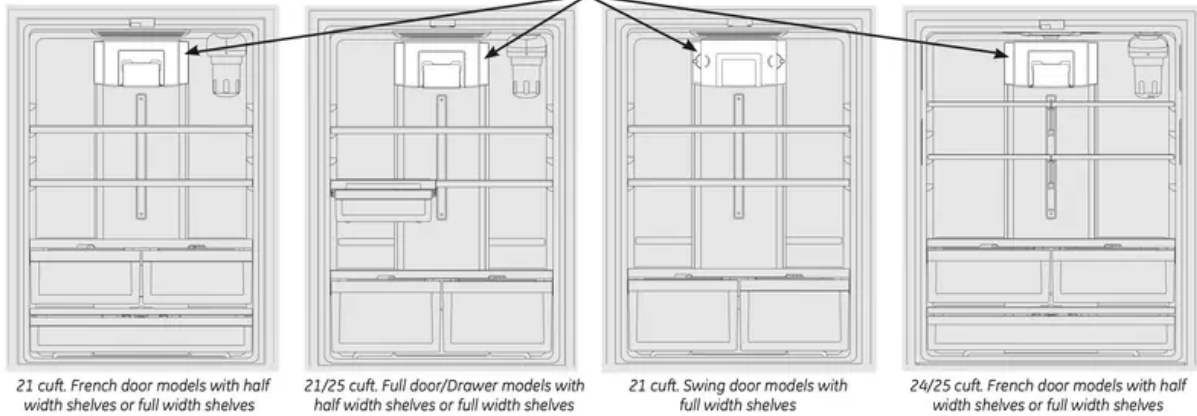




## Ice bucket

1. Open left fresh food door.
2. Pull down latch to release bin door.
3. Using handhold lift ice bucket up and out to clear locators in bottom of bin.
4. To replace the ice bucket, set it on the guide brackets and push until the ice bucket seats properly.
5. If bucket cannot be replaced, rotate the Ice Bucket Fork 1/4 turn clockwise.

Shelves location recommended  
(Only Fresh Food Compartment Shown)  
*air outlet on all models*



**Note:** Do not block air outlet by placing food items directly against it. Erratic temperatures may result.

## NORMAL OPERATING SOUNDS

**HUMMM...**  
**WHOOSH...**

- The new high efficiency compressor may run faster and longer than your old refrigerator and you may hear a high-pitched hum or pulsating sound while it is operating.
- You may hear a whooshing sound when the doors close. This is due to pressure equalizing within the refrigerator.

# *WHIR!*



- You may hear the fans spinning at high speeds. This happens when the refrigerator is first plugged in, when the doors are opened frequently or when a large amount of food is added to the refrigerator or freezer compartments. The fans are helping to maintain the correct temperatures.
- The fans change speeds in order to provide optimal cooling and energy savings.

## CLICKS, POPS, CRACKS and SNAPS

- You may hear cracking or popping sounds when the refrigerator is first plugged in. This happens as the refrigerator cools to the correct temperature.

- Expansion and contraction of cooling coils during and after defrost can cause a cracking or popping sound.
- On models with an ice maker, after an ice making cycle, you may hear the ice cubes dropping into the ice bucket.
- On models with a dispenser, during water dispense, you may hear the water lines move at initial dispense and after dispenser button is released.

# WATER SOUNDS



- The flow of refrigerant through the cooling coils may make a gurgling noise like boiling water.
- Water dropping on the defrost heater can cause a sizzling, popping or buzzing sound during the defrost cycle.
- A water dripping noise may occur during the defrost cycle as ice melts from the evaporator and flows into the drain pan.
- Closing the door may cause a gurgling sound due to pressure equalization.

## CLEARANCES

Proper clearances are needed for ease of installation, proper air circulation, and plumbing and electrical connections. The clearances specific to your unit can be found on the rating plate (silver label on the top-left wall of the refrigerator compartment).

# TROUBLESHOOTING



<b>Problem</b>	<b>Possible Causes</b>	<b>What To Do</b>
<b>Refrigerator does not operate</b>	Refrigerator in defrost cycle.	Wait about 30 minutes for defrost cycle to end.
	Either or both controls set to OFF.	Set the controls to a lower temperature setting.
	Refrigerator is unplugged.	Push the plug completely into the outlet.
	The fuse is blown/circuit breaker is tripped.	Replace fuse or reset the breaker.
	Refrigerator is in showroom mode.	Unplug the refrigerator and plug it back in.
<b>Vibration or rattling (slight vibration is normal)</b>	Rollers need adjusting.	See Rollers section of the Owner's Manual
<b>Motor operates for long periods or cycles on and off frequently. (Modern refrigerators with more storage space and a larger freezer require more operating time. They start and stop often to maintain even temperatures).</b>	Normal when refrigerator is first plugged in.	Wait 24 hours for the refrigerator to completely cool down.
	Often occurs when large amounts of food are placed in refrigerator.	This is normal.
	Door left open.	Check to see if package is holding door open.
	Hot weather or frequent door openings.	This is normal.
	Temperature controls set at the coldest setting.	See About the controls section of the Owner's Manual.

<b>Problem</b>	<b>Possible Causes</b>	<b>What To Do</b>
<b>Refrigerator or freezer compartment too warm</b>	Temperature control not set cold enough.	See About the controls section of the Owner's Manual.
	Warm weather or frequent door openings.	Set the temperature control one step colder. See About the controls section of the Owner's Manual.
	Door left open.	Check to see if package is holding door open.
<b>Frost or ice crystals on frozen food (frost within package is normal)</b>	Door left open.	Check to see if package is holding door open.
	Too frequent or too long door openings.	This is normal.
<b>Divider between refrigerator and freezer compartments feels warm</b>	Automatic energy saver system circulates warm liquid around front edge of freezer compartment.	This helps prevent condensation on the outside.
<b>Automatic ice maker does not work</b>	Ice maker power switch is in the OFF position.	Set the power switch to the ON position.
	Water supply turned off or not connected.	See Installing the water line section of the Owner's Manual.
	Freezer compartment too warm.	Wait 24 hours for the refrigerator to completely cool down.

<b>Problem</b>	<b>Possible Causes</b>	<b>What To Do</b>
	Piled up cubes in the storage bin cause the ice maker to shut off.	Level cubes by hand.
	Ice cubes stuck in ice maker.	Turn off the ice maker, remove cubes, and turn the ice maker back on.
<b>Ice cubes have odor/taste</b>	Ice storage bin needs cleaning.	Empty and wash bin. Discard old cubes.
	Food transmitting odor/taste to ice cubes.	Wrap foods well.
	Interior of refrigerator needs cleaning.	See Care and cleaning section of the Owner's Manual.
<b>Small or hollow cubes</b>	Water filter clogged.	Replace filter cartridge with new cartridge or with plug.
<b>Slow ice cube freezing</b>	Door left open.	Check to see if package is holding door open.
	Temperature control not set cold enough.	See About the controls section of the Owner's Manual.
<b>Frequent 'buzzing sound'</b>	Ice maker power switch is in the 1 (on) position, but the water supply to the refrigerator has not been connected.	Set the power switch to the 0 (off) position. Keeping it in the 1 (on) position will damage the water valve.
<b>Orange glow in the freezer</b>	Defrost heater is on.	This is normal.

<b>Problem</b>	<b>Possible Causes</b>	<b>What To Do</b>
<b>Water has poor taste/odor</b>	Water dispenser has not been used for a long time.	Dispense water until all water in system is replenished.
<b>Water in first glass is warm</b>	Normal when refrigerator is first installed.	Wait 24 hours for the refrigerator to completely cool down.
	Water dispenser has not been used for a long time.	Dispense water until all water in system is replenished.
	Water system has been drained.	Allow several hours for replenished supply to chill.
<b>Water dispenser does not work</b>	Water supply line turned off or not connected.	See Installing the water line section of the Owner's Manual.
	Water filter clogged.	Replace filter cartridge or remove filter and install plug.
	Air may be trapped in the water system.	Press the dispenser arm for at least two minutes.
	Dispenser is LOCKED.	Press and hold the LOCK CONTROLS pad for 3 seconds.
<b>Water spurting from dispenser</b>	Newly-installed filter cartridge.	Run water from the dispenser for 3 minutes (about one and a half gallons).
<b>Water is not dispensed but ice maker is working</b>	Water in reservoir is frozen.	Call for service.

<b>Problem</b>	<b>Possible Causes</b>	<b>What To Do</b>
	Refrigerator control setting is too cold.	Set to a warmer setting.
<b>No water or ice cube production</b>	Supply line or shutoff valve is clogged.	Call a plumber.
	Water filter clogged.	Replace filter cartridge or remove filter and install plug.
<b>Refrigerator has odor</b>	Foods transmitting odor to refrigerator.	Foods with strong odors should be tightly wrapped.  Keep an open box of baking soda in the refrigerator; replace every three months.
	Interior needs cleaning.	See Care and cleaning section of the Owner's Manual.
<b>Moisture forms on outside of refrigerator</b>	Not unusual during periods of high humidity.	Wipe surface dry.
<b>Moisture collects inside (in humid weather, air carries moisture into refrigerator when doors are opened)</b>	Too frequent or too long door openings.	This is normal.
	Due to the higher humidity in the refrigerator, you may on occasion experience fog or small amounts of moisture in the refrigerator compartment.	This is normal and may come and go as different food loads and environmental conditions change. Wipe dry with a paper towel if desired.
<b>Interior light does not work</b>	No power at outlet.	Replace fuse or reset the breaker.

<b>Problem</b>	<b>Possible Causes</b>	<b>What To Do</b>
	Light bulb burned out.	See Replacing the light bulbs section of the Owner's Manual.
	For LED lights (on some models)	Call Service.
<b>Hot air from bottom of refrigerator</b>	Normal air flow cooling motor. In the refrigeration process, it is normal that heat be expelled in the area under the refrigerator. Some floor coverings are sensitive and will discolor at these normal and safe temperatures.	This is normal.
<b>Refrigerator never shuts off but the temperatures are OK</b>	Adaptive defrost keeps compressor running during door openings.	This is normal. The refrigerator will cycle off after the door remains closed for 2 hours.
<b>Refrigerator is beeping</b>	Door is open.	Close door.
<b>Door not closing properly</b>	Door gasket on hinge side sticking or folding over.	Apply paraffin wax to the face of the gasket.
<b>Actual temperature not equal to Set temperature</b>	Unit just plugged in.	Allow 24 hours for system to stabilize.
	Door open for too long.	Allow 24 hours for system to stabilize.
	Warm food added to refrigerator.	Allow 24 hours for system to stabilize.

<b>Problem</b>	<b>Possible Causes</b>	<b>What To Do</b>
	Defrost cycle is in process.	Allow 24 hours for system to stabilize.
<b>Door/drawer does not close by itself</b>	Leveling legs need adjusting.	See Installing the Refrigerator.
<b>Freezer door/drawer pops open when refrigerator door is closed</b>	This is normal if, after popping open, the freezer door/drawer closed on its own.	This indicates that there is a good seal on the freezer door/ drawer. If the freezer door/drawer does not automatically close after popping open, then see the Problem: Door/drawer does not close by itself, above.
<b>Food freezing in the refrigerator</b>	Food too close to the air vent at the back of the refrigerator.	Move the food away from the air vent.
	Refrigerator control is set too cold.	Move the refrigerator control to a warmer temperature setting one increment at a time.
<b>Water is leaking from dispenser</b>	Glass not being held under the dispenser long enough after button is released.	Hold the glass underneath the dispenser for 2–3 seconds after releasing the dispenser button. Water may continue to dispense after the button is released.
	Air may be present in the water line system, causing water to drip after being dispensed.	Dispense water for at least 2 minutes to remove air from system.

<b>Problem</b>	<b>Possible Causes</b>	<b>What To Do</b>
<b>My display is showing</b>	TurboCool function is activated.	See About TurboCool section of the Owner's Manual.
<b>Water filter indicator light changed color</b>	This is normal.	See About the water filter section of the Owner's Manual.
<b>Water filter indicator light remains red even after replacing the water filter</b>	Water filter indicator must be reset.	Press and hold the RESET WATER FILTER pad for 3 seconds. See About the water filter section of the Owner's Manual.
<b>Water filter indicator light is not lit</b>	This is normal. This light will turn orange to tell you that you need to replace the filter soon. The filter cartridge should be replaced when the replacement indicator light turns red.	See About the water filter section of the Owner's Manual.
<b>Handle is loose / handle has a gap</b>	Handle needs adjusting.	See Attach the Fresh Food handle and Attach the Freezer handle section of the Owner's Manual.
<b>Control setting is not lit</b>	On some models, the light bulbs at the top of the refrigerator compartment light up the temperature control settings.	If the control settings do not light up, check to see if the light bulbs are burned out, and replace if necessary.
<b>Refrigerator doors are not even (on Double Door models only)</b>	Doors need realigning.	See Align Double Doors section located under Replacing the Door (Double Door Refrigerator Models

Problem	Possible Causes	What To Do
		only) section of the Owner's Manual.
<b>Baskets stick or jam when opening or closing</b>	Baskets are too full.	<p><b>To open:</b> remove some of the products from the basket when opened as far as possible. Readjust the products left in the basket and try to open the basket again.</p> <p><b>To close:</b> readjust products in the basket or remove any product that is above the rim of the basket and close the basket.</p>

**Warning**

This content is compiled from multiple sources and is provided for reference purposes only. It may not be complete or fully applicable to all situations. If you are unable to resolve your issue, please contact the product manufacturer or an authorized service provider for official support.

