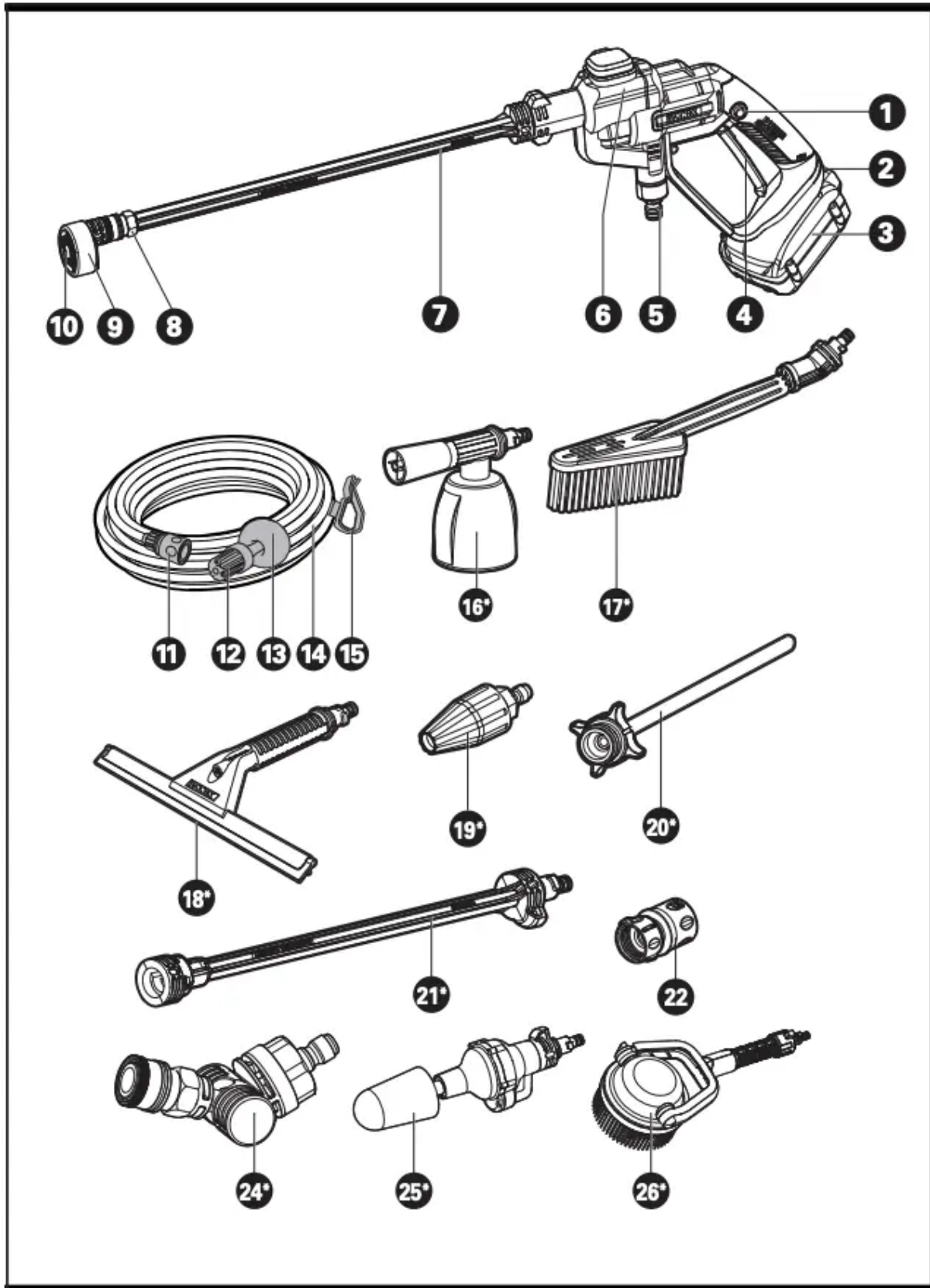


User Guide for Power Cleaner



COMPONENT LIST

1. LOCK-OFF SWITCH
2. BATTERY PACK RELEASE BUTTON
3. BATTERY PACK *
4. ON/OFF SWITCH LEVER
5. HOSE ADAPTER
6. POWER NOZZLE
7. PRESSURE CLEANING LANCE
8. NOZZLE ADAPTER
9. MULTI-SPRAY NOZZLE
10. FIXING NAIL
11. HOSE CONNECTOR
12. HOSE FILTER
13. FLOATER
14. DRAW HOSE
15. HOSE CLIP
16. SOAP BOTTLE*
17. BRUSH*
18. WINDOW SQUEEGEE WITH WATER SPRAYER *
19. TURBO NOZZLE*
20. BOTTLE CAP CONNECTOR
21. EXTENSION LANCE*
22. QUICK CONNECT ADAPTER
23. FILTER SCREEN (SEE FIG. P2)
24. PIVOTING QUICK CONNECT ADAPTER*
25. ROTARY CLEANING BRUSH*
26. AUTO/BOAT POWER SCRUBBER*/ HARD SURFACE POWER SCRUBBER*

***Not all the accessories illustrated or described are included in standard delivery. Refer to the ACCESSORIES chart to review the options that are included with various product models. Visit [worx](http://worx.com) to learn more about these available accessory options.**

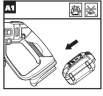

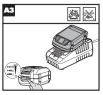
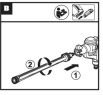
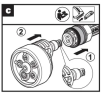
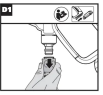
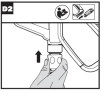
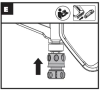
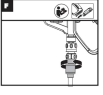
OPERATING INSTRUCTIONS



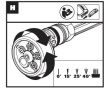


NOTE: Before using the tool, read the instruction book carefully.



ASSEMBLY & OPERATION



ACTION	FIGURE
BEFORE OPERATION	
Installing the battery pack	
Removing the battery pack	
Charging the battery pack More details can be found in WA3578 manual	
OPERATION	
<p>Attaching pressure cleaning lance to the power nozzle</p> <p>NOTE: When attaching, align the two projections on the lance with the grooves of the power nozzle as shown in Fig. B.</p> <p>NOTE: The highest pressure is 320 psi. It is suitable for removing strong stains.</p>	
<p>Attaching the multi-spray nozzle</p> <p>NOTE: when attaching, rotating the nozzle left and right to make sure the nozzle fully seated into position and gently pulling it to make sure it is locked into position securely.</p>	
<p>Attaching the draw hose to the power nozzle</p> <p>NOTE: After the draw hose is attached, check the connection by gently pulling upon the draw hose. It should not be pulled off.</p>	 
<p>Attaching your own water hose (optional)</p> <ol style="list-style-type: none"> 1. Attach the quick connect adapter 2. Attach the home garden hose with suitable connectors <p>NOTE: Except for the draw hose supplied, you can also connect the power nozzle to your own water hose with suitable connectors.</p> <p>NOTE: Check whether the filter screen is missing before retightening the hose adapter. (Fig. P1, P2) When retightening the hose adapter, please tighten securely. Otherwise, it may not draw any water for proper operation.</p>	 

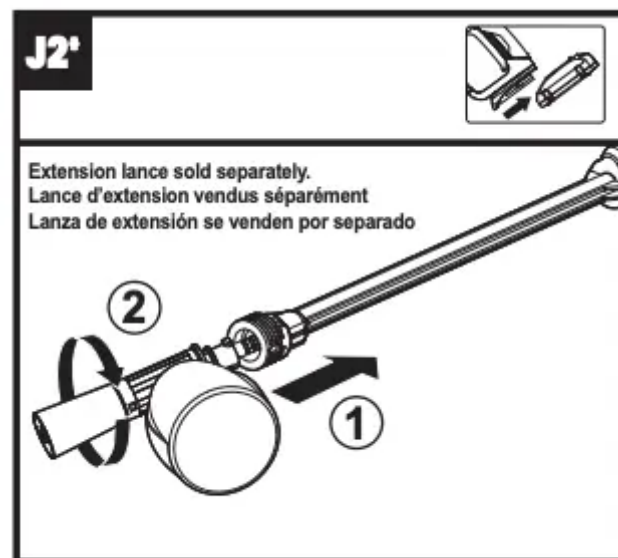
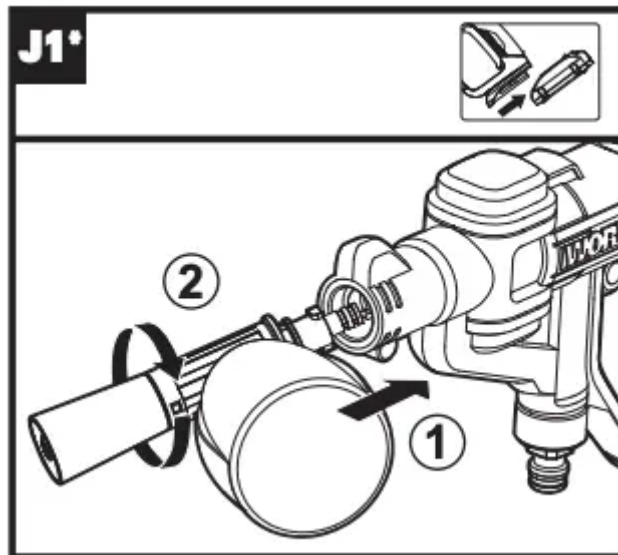
<p>WARNING: It is not recommended to connect the draw hose to your garden hose or your home tap.</p>	
<p>Start</p> <p>NOTE: At the first use, you need to empty the air in hose, place the power nozzle below waist level (<5 ft/1.5 m), then attach the extension lance and set it at high pressure. Do not start working until the water goes up along the hose and sprays out. This could take up to 30 seconds or more depending on the fresh water source.</p>	
<p>Selecting the nozzle pattern</p> <p>NOTE: Choose a suitable nozzle pattern according to your work. Spray patterns 0* , 15* , 25* and 40* are applicable for cleaning, and the spray pattern with the symbol  is best suitable for watering.</p> <p>WARNING: Do not shift the nozzle pattern when the tool is powered on.</p>	
<p>Cleaning</p> <p>WARNING: Do not connect the machine to water supplies that are dirty, rusty, muddy, or corrosive. (Including window cleaning liquids, plant foods, or fertilizers etc.)</p> <p>NOTE: Not recommended for use with salt water, immediately rinse with fresh water for proper maintenance.</p>	
<p>Watering</p>	

ATTACHMENT OF ACCESSORIES

A number of accessories have been supplied with this product and are required for use in different applications. Do not attempt to use the cleaner with no lance or accessories attached.

1. Soap bottle (WA4036, sold separately)

Soap bottle provides detergent suds for deeper cleaning of dirt. It is used in conjunction with power nozzle or extension lance (WA4012). (See Fig. J1, J2)



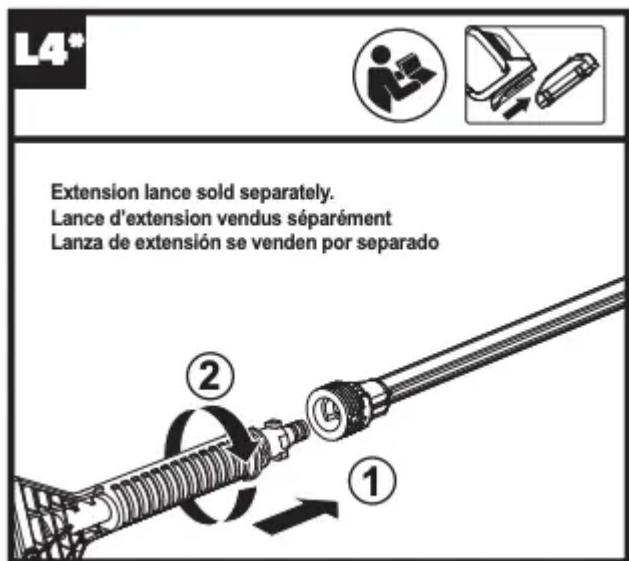
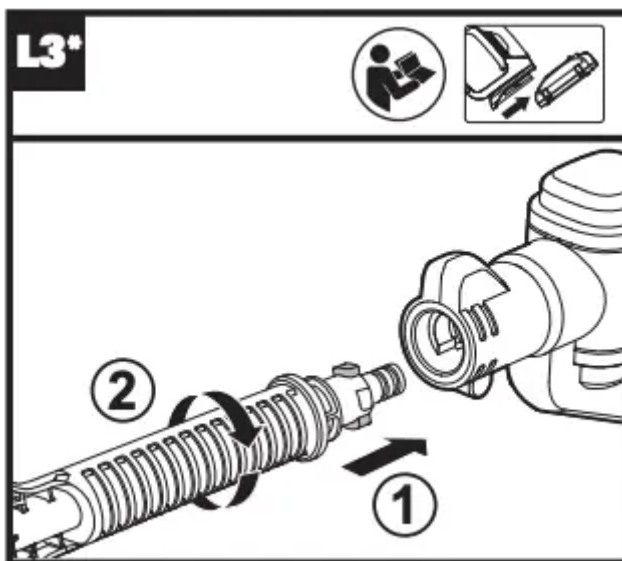
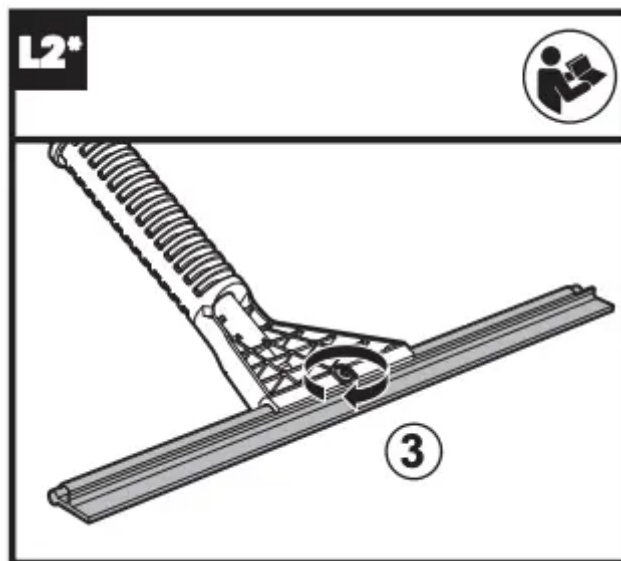
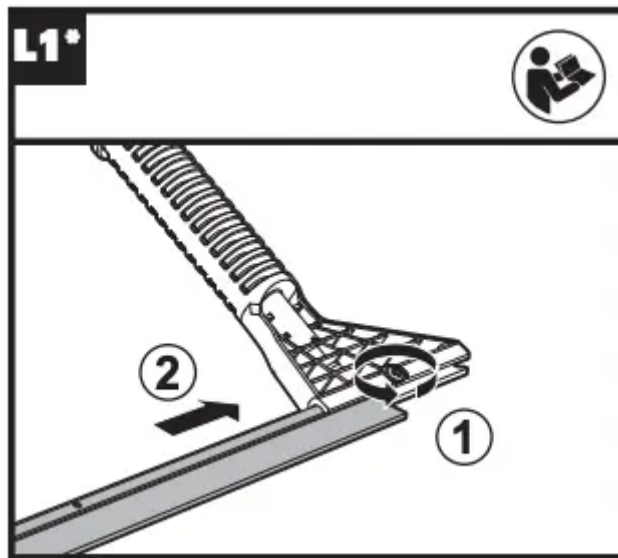
2. Brush (WA4048, sold separately)

Brush is for cleaning cars, boats, motorcycles etc. It is used in conjunction with power nozzle or extension lance (WA4012). (See Fig. K1, K2)



3. Window squeegee with water sprayer (WA4050, sold separately)

The window squeegees quick connection easily snaps into the tool to spray water or wipe off water from glass or tiled surfaces. Suitable for the HYDROSHOT™ power cleaner or extension lance (WA4012). (See Fig. L1, L2, L3, L4)

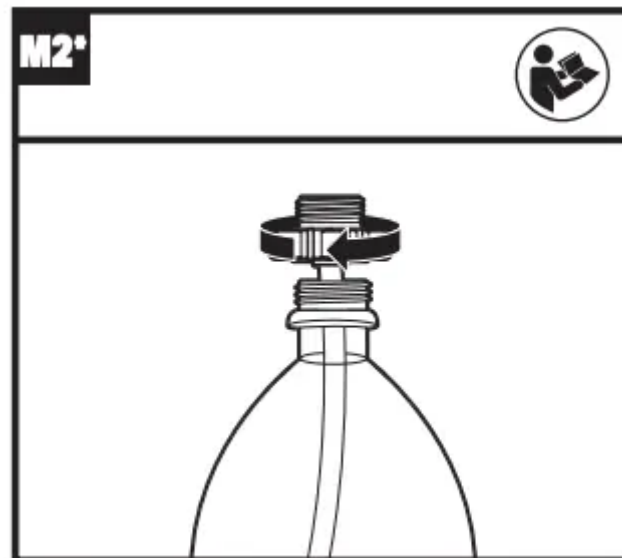
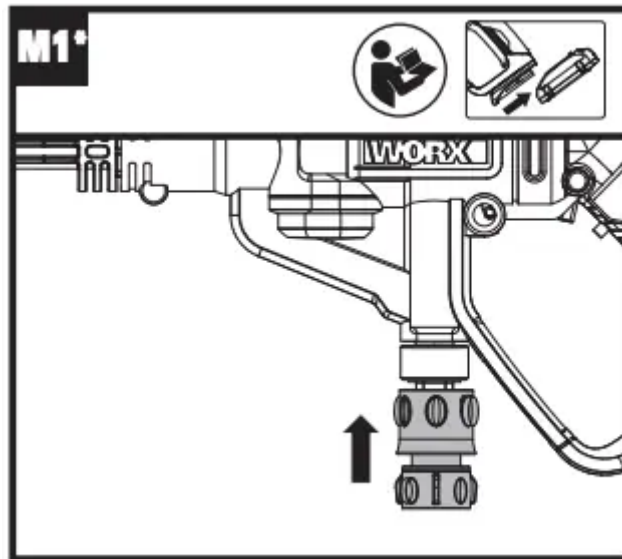


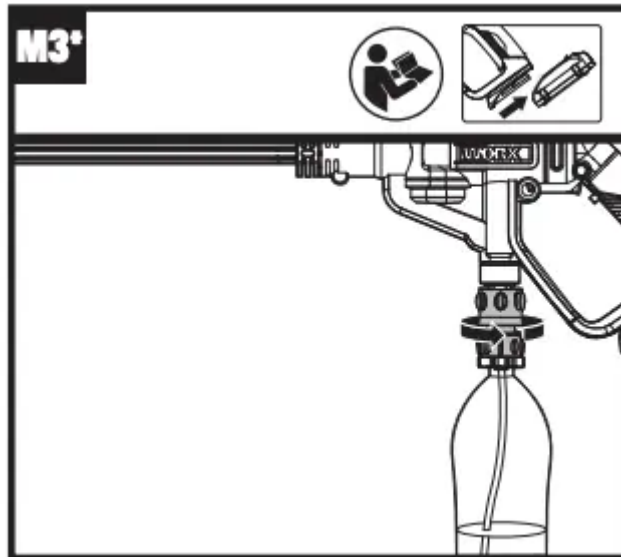
4. Bottle cap connector (WA4038, sold separately)



The bottle cap connector accessory allows the tool to directly connect with most 2 Liter bottles with approximately 1" openings. (NOTE: May not fit all consumable soda and water bottles) (See Fig. M1, M2, M3)

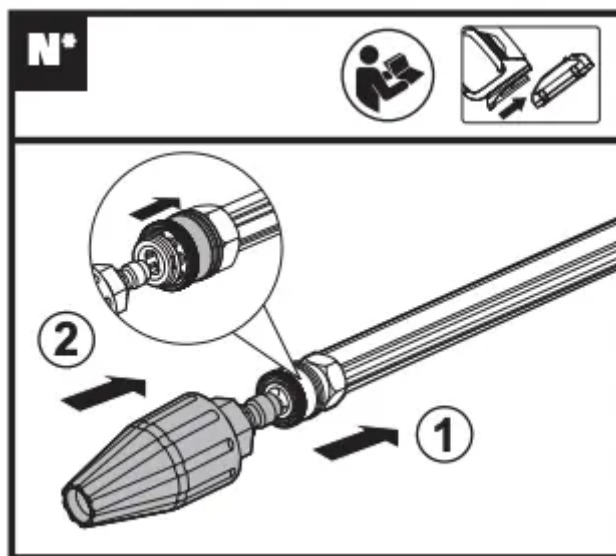
WARNING: Do not install the bottle cap connector accessory until it is ready to be used. The accessories vents will leak liquid, if a bottle is installed, with the machine lying on a surface.





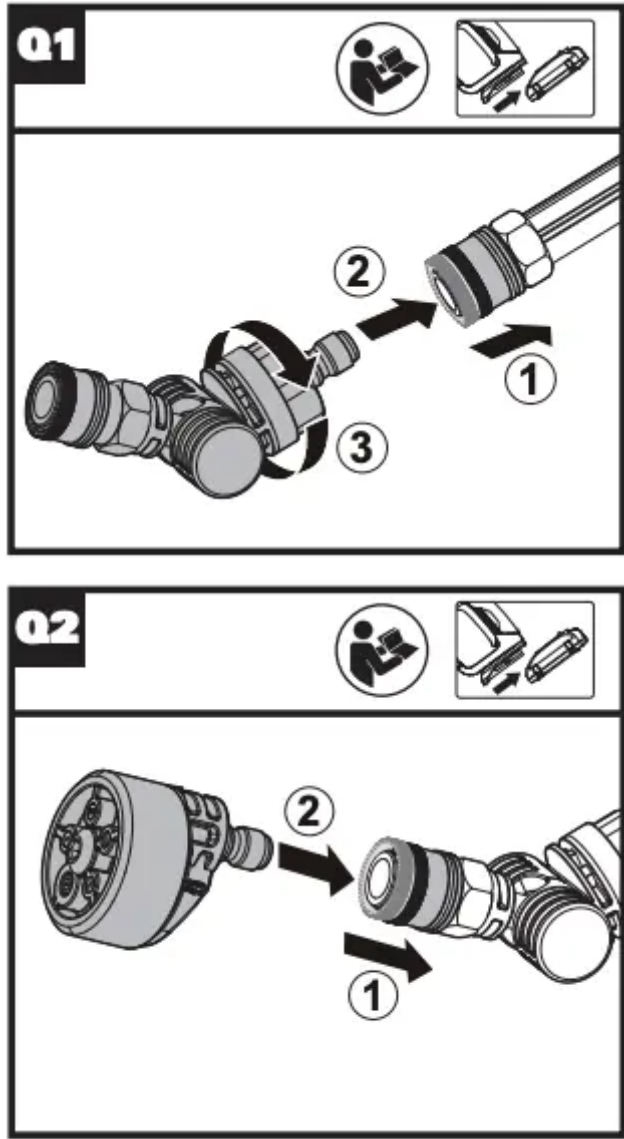
5. Turbo nozzle (WA4037, sold separately)

The turbo nozzle delivers 360° of rotating water, which cleans a larger area than the 0° water pattern during the same time period. Suitable with the pressure cleaning lance installed on the HYDROSHOT™. Recommend to use it with high pressure setting. (See Fig. N)



6. Pivoting Quick Connect Adapter (WA4039, sold separately)

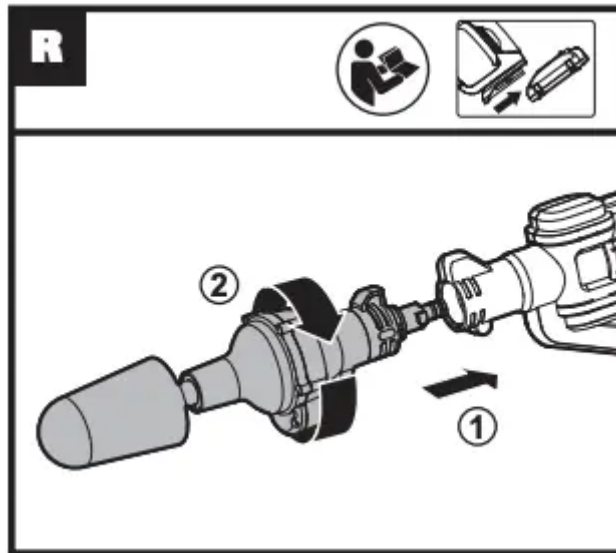
The Pivoting Quick Connect Adapter allows power cleaning tips to be fully adjusted up to 180° in any direction. Ideal for cleaning around hard-to-reach areas. Suitable for the HYDROSHOT™ power cleaner and multi-spray nozzle (See Fig. Q1, Q2)



7. Rotary Cleaning Brush (WA4042, sold separately)

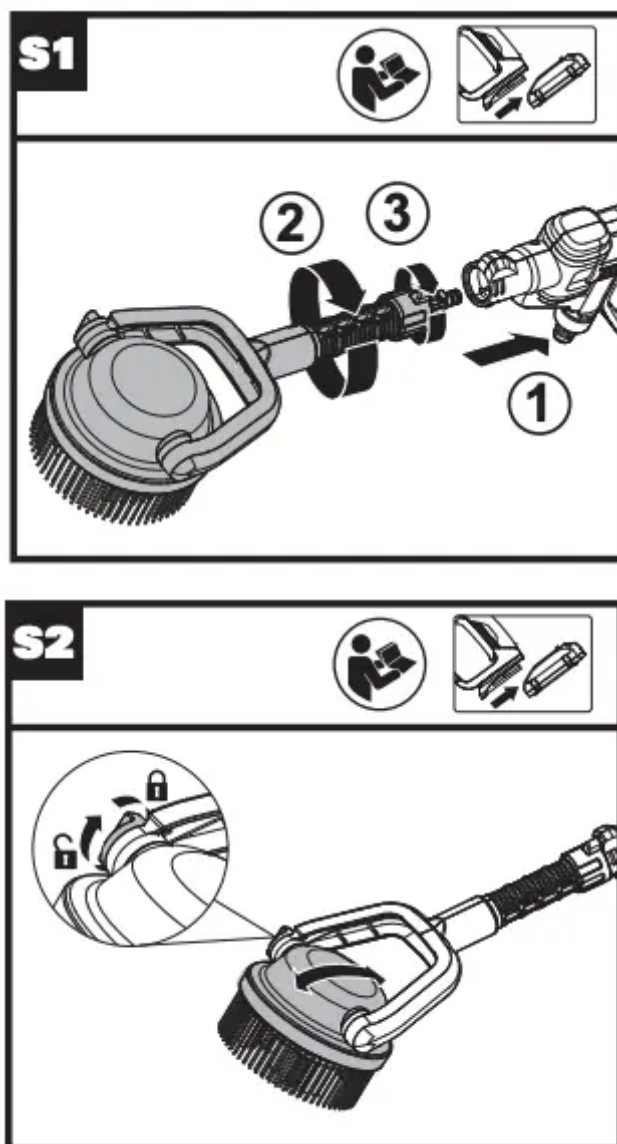
The rotary cleaning brush accessory easily snaps into the tool for cleaning sensitive surfaces and around tight spaces. Suitable for the HYDROSHOT™ power cleaner with/without the extension lance installed. (See Fig. R)





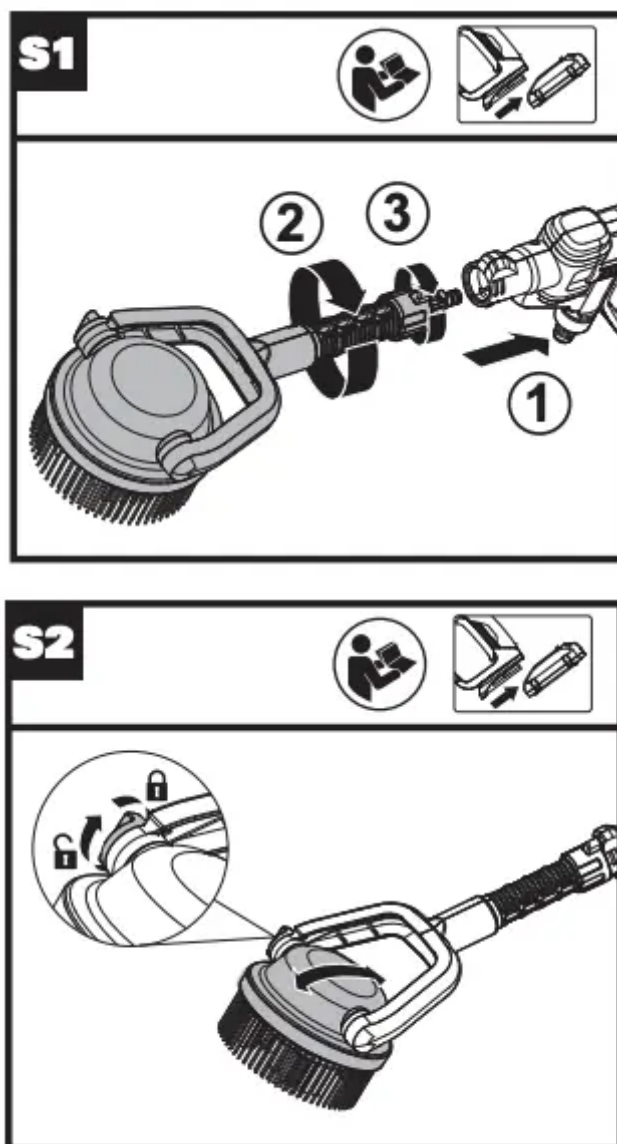
8. Auto/Boat Power Scrubber (WA1820, sold separately)

The water-powered rotary scrubber easily snaps into the tool for cleaning surfaces. Suitable for the HYDROSHOT™ Portable Power Cleaner without lance installed. (See Fig. S1, S2) The soft bristle scrubber head is applicable for sensitive surfaces.



9. Hard Surface Power Scrubber (WA1821, sold separately)

The water-powered rotary scrubber easily snaps into the tool for cleaning surfaces. Suitable for the HYDROSHOT™ Portable Power Cleaner without lance installed. (See Fig. S1, S2) The hard bristle scrubber is applicable for cleaning hard surfaces (not recommended for cars).



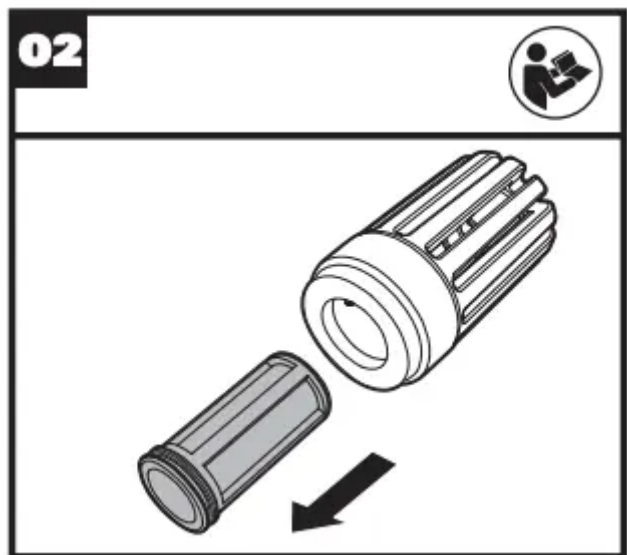
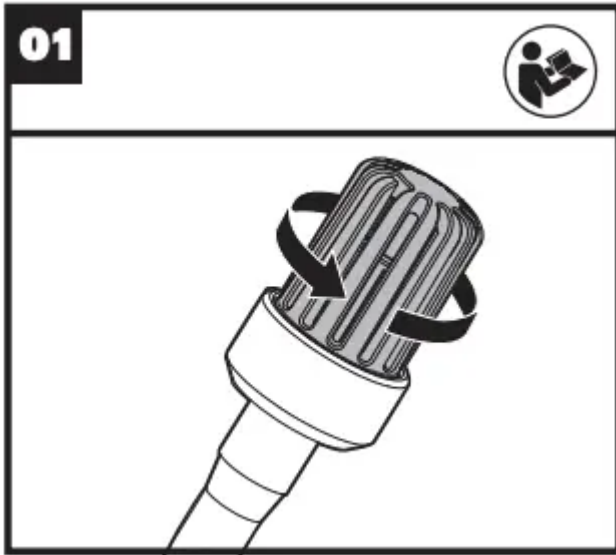
MAINTENANCE

Remove the battery pack from the tool before carrying out any adjustment, servicing or maintenance.

Inspect the product for damaged or worn parts before each use. Do not operate it if you find damaged or worn parts. Contact your supplier or the manufacturer for replacement parts.

Hose filter maintenance

Remove the hose filter from the hose and get out the strainer. Rinse the parts with clean water before reassembling. (See Fig. O1, O2)

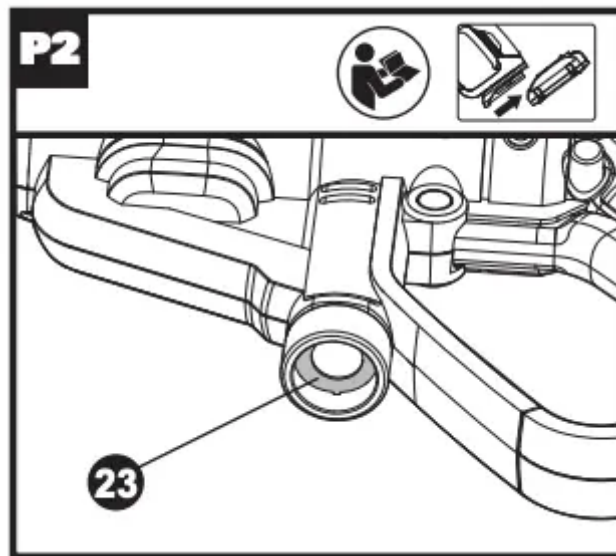
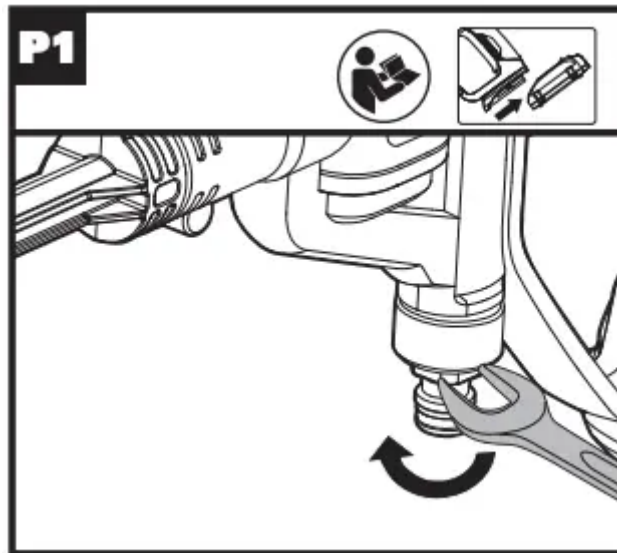


Filter screen maintenance

Remove the hose adapter to get the filter screen. (See Fig. P1, P2) Rinse it with clean water before reassembling.

NOTE: When retightening the hose adapter, please tighten securely. Otherwise, it may not draw any water for proper operation.

WARNING: Any other servicing should be performed by an authorized service representative.



CLEANING/STORAGE

Before storage, completely drain all the water from the machine and hose. Clean the moulded plastic housing of the machine using a soft brush and clean cloth. Do not use water, solvents or polishes. Store in a secure and dry place out of the reach of children. Do not place other objects on the product. Store the machine and the accessories in a frost free place .

TROUBLESHOOTING



Symptom	Possible causes	Solution
Machine turns on but it does not draw any water or there is not sufficient pressure.	Power nozzle is too high from the water source surface.	Lower the machine below 5ft/1.5m.
	Hose filter is blocked.	Take out the hose filter and rinse the parts with clean water. (See Fig. O1, O2)
	The users' garden hose is not well connected to the machine.	Check and reattach the garden hose tightly. (See Fig. F)
	Hose adapter looses.	Tighten the hose adapter securely with a spanner.
	The filter screen is missing. (See Fig. P1, P2)	Contact Worx service agent to get a filter screen.
	The filter screen is blocked. (See Fig. P1, P2)	Clean the filter screen regularly
	Pump, hose, or other parts are frozen due to outside temperatures.	Wait for the pump, hose or other parts to thaw.
	Hose kinks	Straighten out the hose.
Multi-spray nozzle leaks.	The nozzle pattern does not spray correctly.	Make sure the nozzle pattern symbol aligns with the indicator mark on tool.
	Fixing nail of the multi-spray nozzle loosens.	Tighten it with a hex key.
Outlet pressure increases suddenly.	Multi-spray nozzle is blocked.	Replace with a new multi-spray nozzle.
Machine drains out water after stopping.	There is water remaining in the lance and pump after stopping.	Drain all the water completely before storage.

Soap accessory cannot spray out any detergent.	Blockage in the soap bottle.	Clean it with fresh water.
Machine does not start.	The battery pack is not attached well.	Reinstall the battery pack.
	Battery pack is empty.	Replace with a new battery pack or recharge the battery pack.
	Defective battery.	Replace with a new battery pack.
Machine pressure is not consistent.	Additional air could be sucked into the machine.	Check connection between the hose adapter and the draw hose.
	It is at low pressure setting.	No action need.
Machine stops automatically.	Battery pack is empty.	Replace with a new battery pack or recharge the battery pack.
	The multi-spray nozzle is blocked. The current protection is activated.	Remove the multi-spray nozzle and turn on the machine. If the machine works normally, replace with a new multi-spray nozzle.
Machine does not draw any water after long time storage	Additional air could be sucked into the machine.	Connect the machine to the water source and then turns it on.

Warning

This content is compiled from multiple sources and is provided for reference purposes only. It may not be complete or fully applicable to all situations. If you are unable to resolve your issue, please contact the product manufacturer or an authorized service provider for official support.