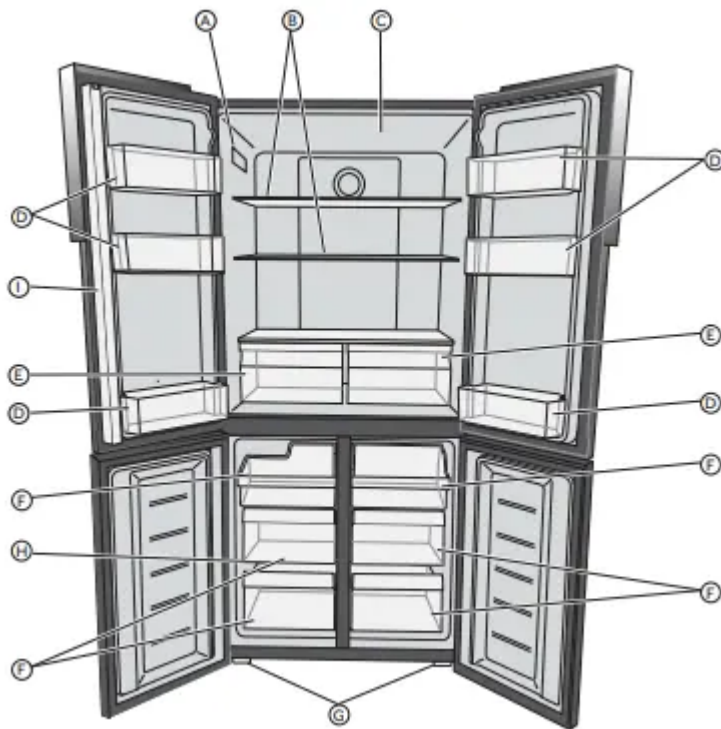


## PARTS AND FEATURES



*A Model/Serial Number Plate*

*B Glass Shelves*

*C Light*

*D Door Bin*

*E Vegetable/Crisper Drawer*

*F Freezer Drawer (6)*

*G Leveling Legs*

*H Freezer Shelf*

*I Articulating Mullion*

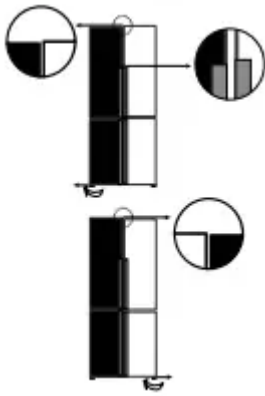
## INSTALLATION INSTRUCTIONS

### DOOR ALIGNMENT (If needed)

If the edges of the refrigerator doors do not align with each other, you can make adjustments:

#### Using Adjustable Foot

- Turn the adjustable foot to raise or lower that side of the refrigerator.
- Clockwise - to raise
- Counterclockwise - to lower



### Using Spacers (provided)

- Open the door. With the door open, lift the door upward.
- By hand or using pliers, clip the spacer (provided) onto the center hinge pin.



## OPENING AND CLOSING DOORS

There are two refrigerator compartment doors. The doors can be opened and closed either separately or together.

- There is an articulating mullion on the left-hand refrigerator door.
- When closing the left-hand refrigerator door, the mullion folds behind the right-hand door joining the two refrigerator doors.
- There is a heating element inside the frame that helps prevent moisture from developing on the mullion. The temperature of the surface may be warm, which is normal, and will not affect the performance of the refrigerator.

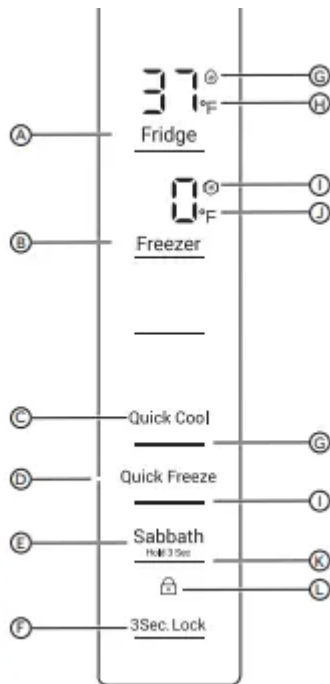


**NOTE:** Before closing the left-hand door, make sure the articulating mullion is folded inward. If the mullion is pulled outward it may become damaged when you try to close the door.



## REFRIGERATOR USE

### CONTROLS



*A Refrigerator Temperature Control Button*

*B Freezer Temperature Control Button*

*C Quick Cool Button*

*D Quick Freeze Button*

*E Sabbath Button*

*F Lock Button*

*G Quick Cool Indicator*

*H Refrigerator Temperature Displayed in °F Indicator*

*I Quick Freeze Indicator*

*J Freezer Temperature Displayed in °F Indicator*

*K Sabbath Mode Indicator*

*L Lock Indicator*

### TOUCH PADS

The controls are touch pads, which respond when lightly touched.

### CONTROL PANEL LOCK

The control panel is automatically locked after 30 seconds of nonuse. To change any settings the control panel must be unlocked.

To Unlock the Control Panel:

Press and hold LOCK for 3 seconds. The Lock indicator will turn OFF.

To Lock the Control Panel:

Press and hold LOCK for 3 seconds. The Lock indicator will turn on.



## TEMPERATURE DISPLAY



When no buttons or doors are operated for 30 seconds, all the LEDs on display panel turn off.

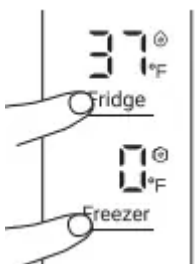
When a button is pressed or a door opened, the LEDs on display panel illuminate.

## UNITS SELECT

The Units Select feature allows you to choose between displaying the set temperature in either degrees Fahrenheit (°F) or degrees Celsius (°C).

The default temperature unit is degrees Fahrenheit.

1. If locked, unlock the control panel by pressing and holding LOCK for 3 seconds.
2. Press and hold FRIDGE and FREEZER at the same time for 3 seconds. °C will appear next to the temperature display to indicate that the unit has been changed to degrees Celsius.
3. To return to displaying the set temperature in degrees Fahrenheit, press and hold FRIDGE and FREEZER at the same time for 3 seconds. The °C will disappear from the Temperature display.



## TEMPERATURE CONTROLS

The temperature range for the refrigerator compartment is 34°F to 42°F (1°C to 6°C). The temperature range for the freezer compartment is -6°F to 6°F (-21°C to -14°C).

The refrigerator compartment is preset to the recommended temperature of 37°F (3°C) and the freezer compartment is preset to the recommended temperature of 0°F (-18°C).

When the refrigerator is first plugged in, the display will show the recommended temperature settings.

#### **IMPORTANT:**

- The recommended setting should be correct for normal household refrigerator use.
- When the refrigerator is first turned on, it may take up to 12 hours to cool to the preset temperatures. Wait 24 hours for your refrigerator to cool completely before adding food. If you add food before the refrigerator has cooled completely, your food may spoil.
- If the temperature is too warm or too cold in the refrigerator or freezer, first check the air vents to be sure they are not blocked before adjusting the controls.

#### **Adjusting Controls**

Except when first turning on the refrigerator, do not adjust either temperature more than one degree at a time. Wait 24 hours between adjustments for the temperature to stabilize.

NOTE: The temperature cannot be adjusted if any other control function such as Quick Freeze, Quick Cool or Sabbath Mode is activated, or the Control Panel is locked. The corresponding indicator will illuminate and a tone will sound

#### **To Adjust the Refrigerator Temperature:**

1. If locked, unlock the control panel by pressing and holding LOCK for 3 seconds.
2. Press Fridge to adjust the temperature. NOTE: The temperature decreases by one degree and a tone sounds with each press of the button. After 5 seconds have passed with no button being pressed the temperature setting confirms automatically.



#### **To Adjust the Freezer Temperature:**

1. If locked, unlock the control panel by pressing and holding LOCK for 3 seconds.
2. Press the Freezer button to adjust the temperature. NOTE: The temperature decreases by one degree and a tone sounds with each press of the button. After 5 seconds have passed with no button being pressed the temperature setting confirms automatically.



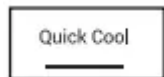
## QUICK COOL

The Quick Cool feature accelerates the cooling of fresh food and protects the foods already stored from undesirable warming.

1. If locked, unlock the control panel by pressing and holding LOCK for 3 seconds.



2. Press the Quick Cool button. The Quick Cool indicators will illuminate.



3. Repeat steps 1 and 2 to manually turn off the Quick Cool feature.

**NOTE:** Quick Cool will automatically turn off after 3 hours.

## QUICK FREEZE

The Quick Freeze function accelerates the freezing of fresh food and protects frozen food from undesirable warming. If you need to freeze a large amount of food, it is recommended to select the Quick Freeze feature a few hours in advance.

1. If locked, unlock the control panel by pressing and holding LOCK for 3 seconds.



2. Press the Quick Freeze button. The Quick Freeze indicators will illuminate.



3. Repeat steps 1 and 2 to manually turn off the Quick Cool feature.

**NOTE:** Quick Freeze will automatically turn off after 50 hours.



## SABBATH

The Sabbath function is designed for those whose religious observance require turning off the lights. All interior lights and alarms will be disabled.

1. If locked, unlock the control panel by pressing and holding LOCK for 3 seconds.
2. Press and hold SABBATH for 3 seconds until the Sabbath indicator illuminates.

### NOTES:

- All alert tones and lights are deactivated.
  - If Quick Cool and/or Quick Freeze was on, Sabbath mode turns off these features automatically.
  - The Control Panel will remain unlocked while in Sabbath mode.
3. To deselect Sabbath mode, press and hold SABBATH for 3 seconds.

## DOOR ALARM

When the refrigerator door is open for more than 3 minutes, the Door Open alarm will sound. The alarm can be silenced by closing the door. If the door is left open for longer than 7 minutes, the light inside the refrigerator will automatically switch off.

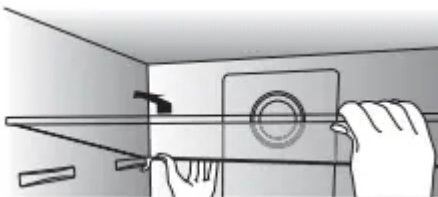
## FEATURES

### REFRIGERATOR

#### ADJUSTABLE SHELVES

The height of the shelves can be adjusted to fit your storage needs.

1. To remove a shelf, lift up on both the front and back edge to disengage the shelf hooks from the shelf supports along the refrigerator wall and pull it out



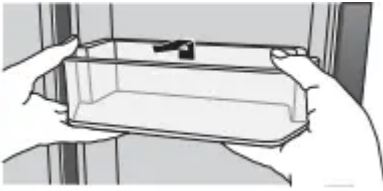
2. To reinstall a shelf, rest the shelf on both the front and rear supports. Push the shelf toward the rear of the refrigerator until the back of the shelf hooks around the rear shelf supports.

#### REMOVABLE DOOR BINS

To Remove and Replace a Door Bin:

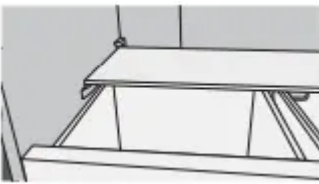
1. Place hands on both sides of the bin and lift upward.
2. Pull the door bin out.

3. Replace the door bin by inserting it above the support and pressing down to snap into place.



## CRISPER DRAWERS

These drawers can be used for storing vegetables and fruit. To remove, pull the drawer straight out.



## FREEZER

There are 6 drawers in the freezer compartment. The top and middle drawers can be removed to turn the bottom drawer cover into a shelf to store tall items.

If installing an ice maker into this unit, the top left drawer is used as an ice storage bin.

### To Remove/Replace Freezer Drawer:

1. Pull out drawer to maximum extension.
2. Lift up to remove the drawer.
3. Reverse steps 1 and 2 to replace the drawer.



## CLEANING

Both the refrigerator and freezer sections defrost automatically. However, clean both sections about once a month to avoid buildup of odors. Wipe up spills immediately.

Because air circulates between both sections, any odors formed in one section will transfer to the other. You must thoroughly clean both sections to eliminate odors. To avoid odor transfer and drying out of food, wrap or cover foods tightly.

### **IMPORTANT:**

- Do not use harsh chemicals, ammonia, chlorine bleach, concentrated detergent, solvents, abrasives or metal scouring pads to clean your product inside or out. They can damage and/or discolor the refrigerator finish.

1. Unplug refrigerator or disconnect power.
2. Using a clean sponge or soft cloth and a mild detergent dissolved in warm water, wash removable parts and the interior surfaces. Rinse well and dry thoroughly.
3. Clean the exterior surfaces.

Painted metal: Wash painted metal exteriors with a clean, soft cloth or sponge and a mild detergent in warm water. Rinse surfaces with clean, warm water and dry immediately to avoid water spots.

Stainless steel: Stainless steel is corrosion resistant and not corrosion-proof. To help avoid corrosion of your stainless steel, wash stainless steel surfaces with a clean, soft cloth or sponge and a mild detergent in warm water. Rinse surfaces with clean, warm water and dry immediately to avoid water spots.

NOTE: When cleaning stainless steel, always wipe in the direction of the grain to avoid cross-grain scratching.

4. Clean the door seals every 3 months. Wash the joints with a clean sponge or soft cloth and a mild detergent diluted in lukewarm water. Rinse thoroughly and dry well. Applying a little petroleum jelly to the joints on the hinge side will ensure a better seal. NOTE: The cleanliness of the gaskets will ensure a better seal.
5. Plug in the refrigerator or reconnect the power source.

### **LIGHTS**

The interior lights of the refrigerator turn off when the doors are open for more than 7 minutes.

IMPORTANT: Your refrigerator is equipped with LED lighting. These lights are designed to last for the life of your refrigerator. However, if the lights stop operating, please contact a qualified technician for replacement.

### **VACATION AND MOVING**

#### **VACATION**

If You Choose to Leave the Refrigerator On While You're Away:

Use up any perishables and freeze other items.

If You Choose Turn Off the refrigerator Before You Leave:

1. Remove all food from the refrigerator and freezer.
2. Unplug refrigerator or disconnect power.
3. Clean refrigerator, wipe it, and dry well.
4. Tape rubber or wood blocks to the tops of both doors to prop them open far enough for air to get in. This stops odor and mold from building up.

## **MOVING**

**IMPORTANT:** Handle with care when moving refrigerator to avoid either damaging the refrigerant tubing or increasing the risk of a leak.

When you are moving your refrigerator to a new home, follow these steps to prepare it for the move.

1. Remove all food from the refrigerator and pack all frozen food in dry ice.
2. Unplug refrigerator.
3. Clean, wipe, and dry thoroughly.
4. Take out all removable parts, wrap them well, and tape them together so they don't shift and rattle during the move.
5. Raise the leveling legs so they don't scrape the floor. See "Leveling."
6. Tape the doors closed and tape the power cord to the back of the refrigerator. When you get to your new home, put everything back and refer to the "Installation Instructions" section for preparation instructions.

## **REINSTALLING/USING REFRIGERATOR AGAIN**

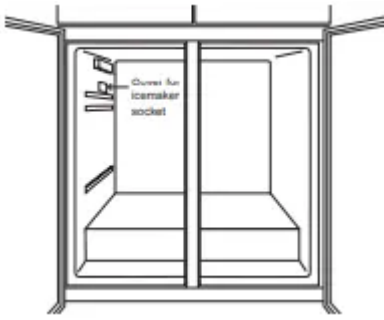
If the refrigerator has been placed in a horizontal or tilted position for any period of time wait 2 to 5 hours before plugging it in to allow the oil to settle into the compressor.

1. Clean refrigerator. See "Cleaning."
2. Place refrigerator in desired location and level. See "Installation Instructions."
3. Plug into a grounded 3 prong outlet.

## **ACCESSORY**

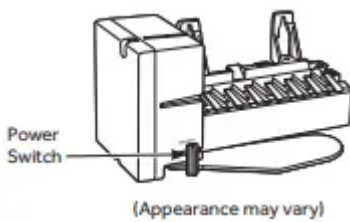
### **PREPARE THE REFRIGERATOR**

Inside of the freezer, remove the cover for the icemaker power supply socket.



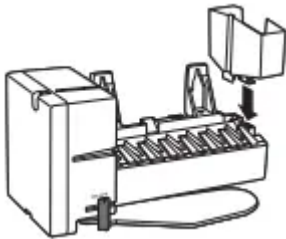
## SET POWER SWITCH TO OFF

Set the icemaker power switch to OFF.



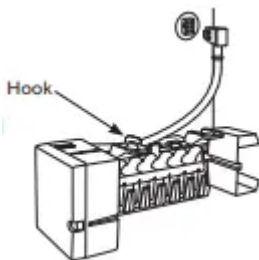
## INSTALL THE ICEMAKER FILL CUP

Install the icemaker fill cup (13) into the icemaker as shown.



## PLUG IN THE ICEMAKER

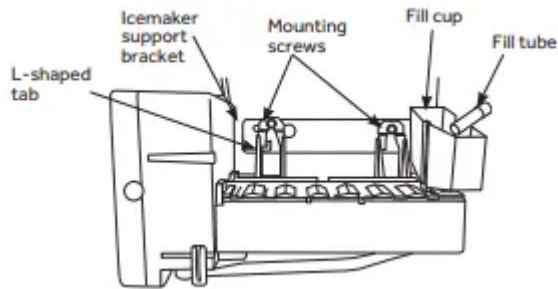
Plug the icemaker power cord into the socket making sure the prongs and holes are matched. Press the plug firmly into the socket. Lock the plug in place by clipping the restraints into each side of the plug. Make sure the restraints click into place. Make sure the power cord is still in the hook on back of the icemaker.



## MOUNT THE ICEMAKER

For easy installation, remove the top and middle left freezer drawer

Drive both mounting screws halfway into screw holes on the support bracket of the left side upper wall in the freezer. Lift the icemaker so the fill tube assembly fits in the fill cup opening. Hang the icemaker on the screws and on the L-shaped tab in front of the supporting bracket.



**Make sure:**

- The power cord is still firmly in the socket.
- The fill tube assembly extends into the fill cup opening at the back of the icemaker.
- The icemaker mounting screws should be located in the uppermost position of the mounting slots on the icemaker bracket.
- The icemaker is level.
- The icemaker power switch is in the OFF position.

SECURELY TIGHTEN THE ICEMAKER MOUNTING SCREWS.

**ATTACH WARRANTY LABEL**

A label is provided with this kit to record the date of installation for warranty purposes. Apply it to the back of the refrigerator.

**KEEP THE MANUAL**

The warranty for the icemaker is printed in the manual that came with your icemaker kit. Keep this manual with your Refrigerator Owner's Manual.

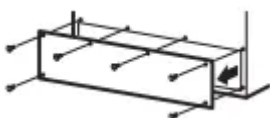
The icemaker installation inside the freezer is now complete. Continue to the Water Valve Assembly section.

**WATER VALVE ASSEMBLY**

**REMOVE THE COVER**

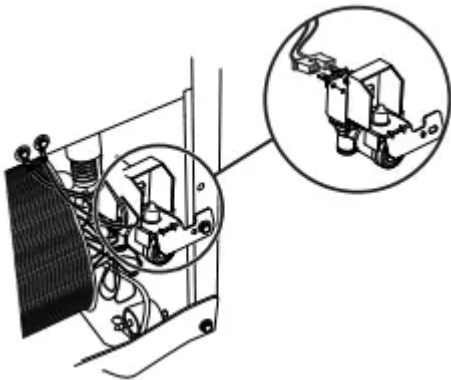
Remove the access cover. This requires removing screws which attach the cover to the back of the refrigerator case.

Be sure to save the screws as the access cover must be reinstalled later to ensure your refrigerator will function properly.

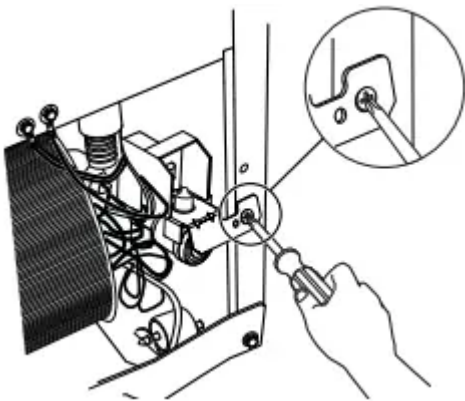


## ATTACH THE WATER VALVE

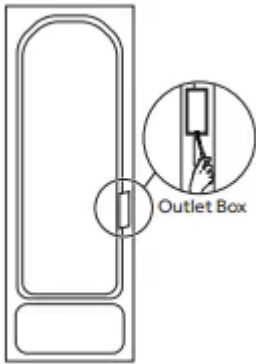
- Connect water tube pre-installed in the machine compartment to water valve. Do not use the water tube that came with the water valve. To remove the water tube from the water valve, push the white washer towards the water valve and pull out the water tube.
- Pull out the black water tube from right side of machine compartment. Remove the tape from the end. Insert the water tube to the water valve all the way to the mark 0.5" from the end. Loop and tuck the rest of tube back to compartment.
- Locate the female connector plug. Plug the female connector onto the male terminals on the water valve. Either wire can go on either terminal.



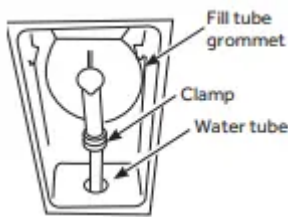
- Fasten the water valve to the cabinet by driving the water valve mounting screw (Phillips flat head screw included with this manual in the accessory bag) into the hole in the cabinet leg.



- Open the outlet box cover, located on the right side of the back of the unit, with a flat head screwdriver.
- Check the water line connection. Make sure the water tube is fully inserted into the grommet. If not, loosen the hose clamp by squeezing the ends with pliers and insert the tube as far as it can go. Then release the clamp ends and make sure that the clamp captures the water tube. Otherwise, water may leak from this connection.



- Check the rear of the refrigerator to make sure the fill tube has not been pushed out of the back of the refrigerator.



### WATER LINE CONNECTED

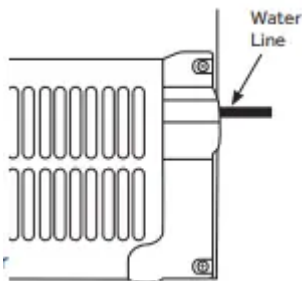
Refer to the Water Line Installation Instructions for connection to the home water supply in the installation instructions that came with your icemaker.

After water line installation is completed, set the icemaker power switch to ON.

The icemaking cycle will not begin until the icemaker and freezer compartment reach operating temperature, then icemaking will begin automatically.

### REINSTALL THE COVER

Reinstall the access cover. This requires using the screws you removed previously to reattach the cover to the back of the refrigerator case. This must be reinstalled for your refrigerator to function properly. The water line should come out at the water tube relief slot at the right side of the access cover.



# TROUBLESHOOTING

## REFRIGERATOR IS NOT OPERATING

### Refrigerator does not run.

- Refrigerator is unplugged.  
Plug into a grounded 3 prong outlet.
- Breaker is tripped or turned off / Fuse is blown.  
Reset / Turn on breaker or replace fuse.
- Refrigerator is in defrost mode.  
Wait approximately 40 minutes for defrost cycle to end, and the cooling system to restart.

### Refrigerator compress or runs frequently or for long periods of time. NOTE: This refrigerator is designed to run for longer periods of time at a lower energy usage.

- Refrigerator is first plugged in  
Allow 12 hours for the refrigerator to cool down.
- Warm food or large amounts of food added.  
This is normal.
- Door is left open, or refrigerator is not level.  
Ensure that door is not being held open by an item. Level the refrigerator. See "Leveling Refrigerator."
- Hot weather or frequent openings  
This is normal.
- Temperature control set to coldest setting.  
Adjust temperature to a warmer setting.

### Refrigerator has an odor.

- Food is not sealed or packaged properly.  
Reseal packaging. Place an opened box of baking soda in the refrigerator, replace every 3 months.
- Interior needs to be cleaned.  
Clean the interior. See "Cleaning."
- Food stored too long.  
Dispose of spoiled food.

### **Light does not come on.**

- Refrigerator is unplugged.  
Plug into a grounded 3 prong outlet.
- LED light is burned out.  
Contact a qualified technician to replace the burned out LED.
- Sabbath Mode is activated.  
Lights are disabled in Sabbath mode. To turn on lights you must turn off Sabbath Mode See "Sabbath Mode" for instructions.

### **Doors do not close properly.**

- Refrigerator is not level.  
See "Leveling."
- Something is obstructing door closure.  
Check for and remove obstructions.

### **Vibration or rattling**

- Refrigerator is not resring firmly on floor.  
See "Leveling."

### **Normal Sounds**

- It sounds like water is flowing from the refrigerator.  
Refrigerant flowing in the lines will make this sound when the compressor starts and stops.  
The refrigerator has an automatic defrosting system. The defrosted water will make this sound.
- Humming or buzzing sounds  
The compressor and fans for cold air circulation can make this sound. If the refrigerator is not level, the sound will be louder.
- Cracking or clicking sounds  
The interior parts will make this sound as they contract and expand in response to temperature changes.

## **TEMPERATURE AND MOISTURE**

### **Refrigerator or freezer is too warm.**

- Temperature control is not set low enough.

Adjust the compartment to a colder setting; allow 12 hours for the temperature to adjust.

- Door opened frequently or left ajar.

Limit door openings to maintain the internal temperature. / Check that an item is not preventing door from closing.

- Warm food added recently.

Allow time for food and refrigerator to cool.

- The space between the back of the refrigerator and the wall is too close.

Allow 2" (5 cm) space between the back of the refrigerator and the wall.

- Items against rear interior wall are refrigerator and the wall.

Store items only inside the trim of the glass shelves; don't place items against sides of the compartments or directly in front of any vents.

Refrigerator or freezer is too cold.

- Temperature control is set too low.

Adjust temperature in the compartment to the next warmer setting; allow 24 hours to adjust.

#### **Moisture on exterior/ interior of refrigerator**

- High humidity

This is normal during times of high humidity. Dry surface and adjust temperature to slightly colder setting.

- Door opened frequently or left ajar.

Keep door closed. Check that a package is not preventing door from closing. Level the refrigerator. See "Leveling."

- Open container of liquid in refrigerator

Cover or seal container.

#### **Frost or ice crystals on frozen food**

- Freezer door left open or opened frequently, or the refrigerator is not level.

Limit door openings to maintain the internal temperature. / Check that an item is not preventing door from closing. Level the refrigerator. See "Leveling."

- Items blocking freezer air vents are preventing proper air flow.

Move items away from rear wall.

## Food freezing in refrigerator

- Items placed too close to the air vents.

Move items away from back and top of the refrigerator.

- Temperature control set too cold.

Adjust the temperature to a less cold setting.

### Warning

This content is compiled from multiple sources and is provided for reference purposes only. It may not be complete or fully applicable to all situations. If you are unable to resolve your issue, please contact the product manufacturer or an authorized service provider for official support.