

## User manual Blower

### Definitions: Safety Alert Symbols and Words

This instruction manual uses the following safety alert symbols and words to alert you to hazardous situations and your risk of personal injury or property damage.

**DANGER:** Indicates an imminently hazardous situation which, if not avoided, will result in death or serious injury.

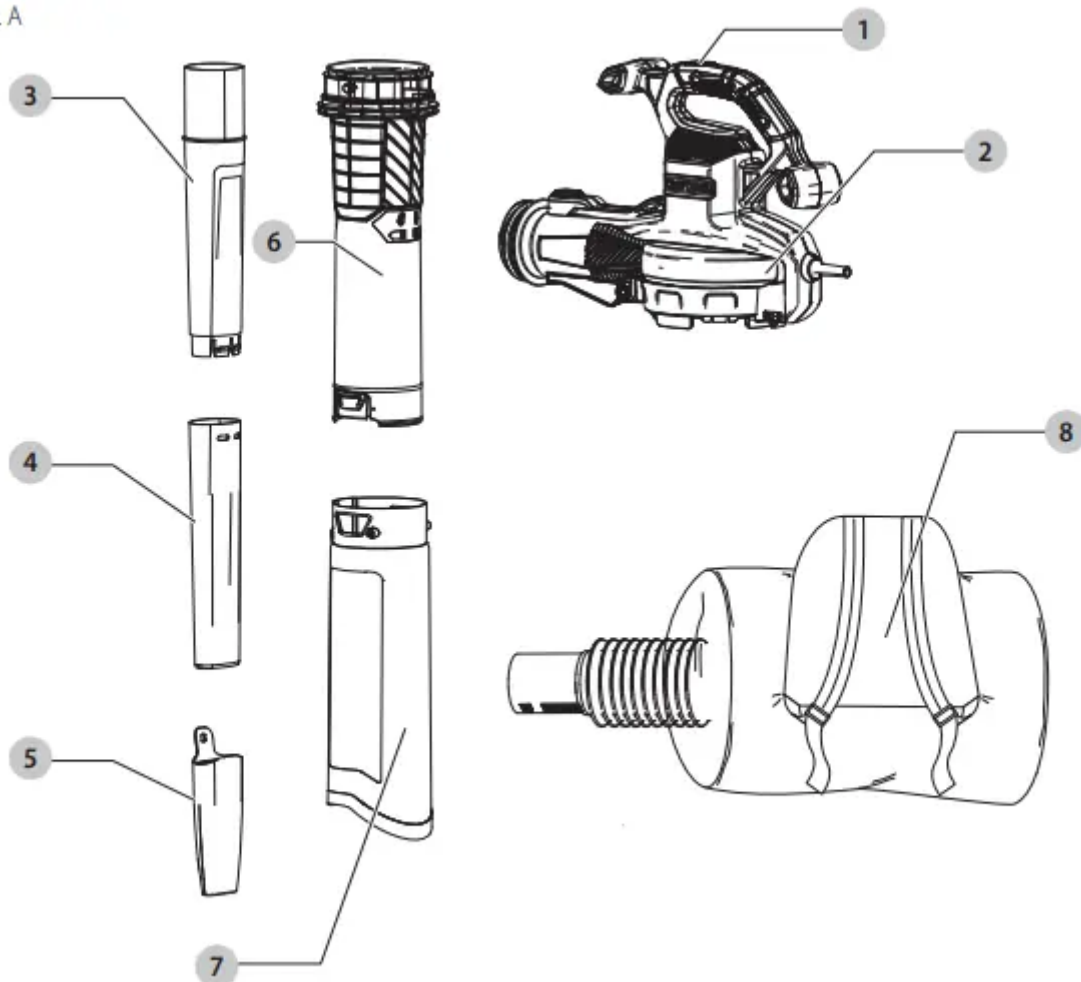
**WARNING:** Indicates a potentially hazardous situation which, if not avoided, could result in death or serious injury.

**CAUTION:** Indicates a potentially hazardous situation which, if not avoided, may result in minor or moderate injury.

(Used without word) Indicates a safety related message.

**NOTICE:** Indicates a practice not related to personal injury which, if not avoided, may result in property damage.

Fig. A



- 1 On/Off Switch
- 2 Power head
- 3 Upper blow tube
- 4 Lower blow tube
- 5 Concentrator
- 6 Upper vac tube
- 7 Lower vac tube
- 8 Backpack collection bag

**WARNING:** Read all safety warnings and all instructions. Failure to follow the warnings and instructions may result in electric shock, fire and/or serious injury

## IMPORTANT SAFETY INSTRUCTIONS

### READ ALL INSTRUCTIONS BEFORE USING THIS APPLIANCE

When using this appliance, basic safety precautions should always be followed including the following:

**WARNING:** To reduce the risk of fire, electric shock and injury:

- Do not leave the appliance when connected to power source. Unplug from outlet when not in use and before servicing.
- Do not use on wet surfaces. Do not expose to rain. Store indoors.
- Do not allow appliance to be used as a toy.
- Close attention is necessary when used by or near children.
- Use this appliance ONLY as described in the manual. Use only recommended attachments.
- Do not use this appliance if it is showing signs of malfunction in any way. If the appliance is not working correctly, has been dropped, damaged, left outdoors, or dropped into water, return it to a service center.
- Do not pull or carry by cord, use cord as a handle, close a door on cord, or pull cord around sharp edges or corners. Do not run appliance over cord. Keep cord away from heated surfaces.
- Do not unplug by pulling on cord. To unplug, grasp the plug, not the cord.
- Do not handle plug or the appliance with wet hands.
- Do not put any objects into the openings of the appliance. Do not use the appliance with any opening blocked; keep free of dust, lint, hair and anything else that may reduce air flow.
- Keep hair, loose clothing, fingers, and all body parts away from the openings and moving parts.

- Turn off all controls before disconnecting from power source.
- Use extra care when cleaning on stairs.
- Do not use the appliance to pick up flammable or combustible liquids, such as gasoline, or use in areas where flammable or combustible liquids are present.

## SAVE THESE INSTRUCTIONS

### **Additional Safety Instructions**

**WARNING:** When using an electric appliance, basic safety precautions should always be followed to reduce risk of fire, electric shock, and personal injury, including the following.

**WARNING:** Read all safety warnings and all instructions. Failure to follow the warnings and instructions may result in electric shock, fire and/or serious injury.

**WARNING:** Never allow children, persons with reduced physical, sensory or mental capabilities or lack of experience and knowledge or people unfamiliar with these instructions to use the machine, local regulations may restrict the age of the operator.

### **To Reduce Risk of Injury:**

- Avoid dangerous environmental conditions – Do not use electric units in damp or wet locations. Don't use the unit in the rain.
- Use safety equipment. Always wear eye protection, filter mask if operation is dusty, non-skid safety shoes, or hearing protection must be used for appropriate conditions.
- Use the right unit – Do not use this unit for any job except that for which it is intended.
- Inspect the area before using the unit. Remove all debris and hard objects such as rocks, glass, wire, etc. that can ricochet, be thrown, or otherwise cause injury or damage during operation.
- Keep children, bystanders and animals away from the work area a minimum of 30 feet (10 meters) when starting or operating the unit.
- Maintain unit with care. Keep unit clean for best and safest performance. Follow instructions for proper maintenance.
- Stay alert - Watch what you are doing. Use common sense. Do not operate unit when you are tired.
- Do not place outlet of blower near eyes or ears when operating.
- Do not operate the machine while people, especially children, or pets are nearby.
- Do not touch moving hazardous parts before the machine is disconnected from the power source and the moving hazardous parts have come to a complete stop.
- If the machine starts to vibrate abnormally, disconnect it from the power source and immediately check.

- Do not attempt to clear clogs from unit without first disconnecting it from the power source.
- Do not immerse any part of the unit in liquid.
- Do not use unit if switch does not turn it on or off. A unit that cannot be controlled with the switch is dangerous and must be repaired.
- Do not allow debris to be ingested into blower intake.
- Do not point unit discharge at self or bystanders.
- Do not pick up anything that is burning or smoking, such as cigarettes, matches or hot ashes.
- Do not use to blow explosive dust, or in areas where air contains explosive dust such as coal, grain, or other combustible material.
- Do not attempt to repair the blower. To assure product safety and reliability, repairs, maintenance, and adjustments should be performed by authorized service centers.
- Do not operate blower in a gaseous or explosive atmosphere. Motors in these units normally spark, and the sparks might ignite fumes.
- Do not overreach. Keep proper footing and balance at all times.
- Do not leave appliance when plugged in. Unplug from outlet when not in use and before servicing.
- Do not use with damaged cord or plug. If appliance is not working as it should, has been dropped, damaged, left outdoors, or dropped into water, return it to a service center.
- Never leave blower running unattended. Turn power off.
- Unplug before connecting the tube.
- Store idle units. When not in use, the unit should be stored in a dry, high or locked-up place - out of reach of children.
- This appliance is provided with double insulation. Use only identical replacement parts. See instructions for Servicing of Double-Insulated Appliances.
- To reduce the risk of electric shock, use only with an extension cord intended for outdoor use, such as SJW or SJTW.
- To reduce the risk of disconnection of appliance cord from the extension cord during operating:

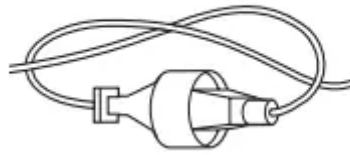
i) Make a knot as shown in Figure B; or

ii) Use one of the plug-receptacle retaining straps or connectors described in this manual.

**OR**

iii) Secure the extension cord to the appliance plug as shown or described in Extension Cord Retainer.

Fig. B



**WARNING:** To reduce the risk of personal injury due to a loose electrical connection between the appliance's plug and extension cord, firmly and fully attach the appliance plug to the extension cord. Periodically check the connection while operating to ensure it is fully attached. Do not use an extension cord that provides a loose connection. A loose connection may result in overheating, fire, and increases the risk of a burning.

**CAUTION:** When not in use, place tool on its side on a stable surface where it will not cause a tripping or falling hazard. Some tools will stand upright but may be easily knocked over.

- Air vents often cover moving parts and should be avoided. Loose clothes, jewelry or long hair can be caught in moving parts.
- An extension cord must have adequate wire size (AWG or American Wire Gauge) for safety. The smaller the gauge number of the wire, the greater the capacity of the cable, that is, 16 gauge has more capacity than 18 gauge. An undersized cord will cause a drop in line voltage resulting in loss of power and overheating. When using more than one extension to make up the total length, be sure each individual extension contains at least the minimum wire size. The following table shows the correct size to use depending on cord length and nameplate ampere rating. If in doubt, use the next heavier gauge. The lower the gauge number, the heavier the cord

**Minimum Gauge for Cord Sets**

Volts		Total Length of Cord in Feet (meters)			
		25 (7.6)	50 (15.2)	100 (30.5)	150 (45.7)
120 V		25 (7.6)	50 (15.2)	100 (30.5)	150 (45.7)
240 V		50 (15.2)	100 (30.5)	200 (61.0)	300 (91.4)
Ampere Rating		American Wire Gauge			
More Than	Not More Than				
0	6	18	16	16	14
6	10	18	16	14	12
10	12	16	16	14	12
12	16	14	12	Not Recommended	

The label on your tool may include the following symbols. The symbols and their definitions are as follows:



V..... volts	~ or AC..... alternating current
Hz..... hertz	⎓ or AC/DC.... alternating or direct current
min..... minutes	□..... Class II Construction (double insulated)
== or DC..... direct current	n <sub>0</sub> ..... no load speed
Ⓜ..... Class I Construction (grounded)	n..... rated speed
.../min..... per minute	⊕..... earthing terminal
BPM..... beats per minute	⚠..... safety alert symbol
IPM..... impacts per minute	⚠..... visible radiation
RPM..... revolutions per minute	⚠..... avoid staring at light
sfpm..... surface feet per minute	☉..... wear respiratory protection
SPM..... strokes per minute	☉..... wear eye protection
OPM..... oscillations per minute	☉..... wear hearing protection
A..... amperes	
W..... watts	
📖..... read all documentation	
	IPXX..... IP symbol

## **Servicing of Double Insulated Appliances**

Your blower is double-insulated to give you added safety. In a double insulated appliance, two systems of insulation are provided instead of grounding. No grounding means is provided on a double insulated appliance, nor should a means for grounding be added to the appliance. Servicing a double insulated appliance requires extreme care and knowledge of the system and should be done only by qualified service personnel. Replacement parts for a double insulated appliance must be identical to the parts they replace. A double insulated appliance is marked with the words double insulated or “double insulation”. The symbol (square within a square) may also be marked on the appliance.

## **Safety Rules and Instructions:**

### **Extension Cords**

Double insulated tools have 2-wire cords and can be used with 2-wire or 3-wire extension cords. Only round jacketed extension cords should be used, and we recommend that they be listed by

Underwriters Laboratories (U.L.) (C.S.A. in Canada). If the extension will be used outside, the cord must be suitable for outdoor use. Any cord marked as outdoor can also be used for indoor work.

Before using an extension cord, inspect it for loose or exposed wires, damaged insulation, and defective fittings. Make any needed repairs or replace the cord if necessary.

## **Safety Rules and Instructions:**

### **Polarized Plug**

To reduce the risk of electric shock, this equipment has a polarized plug (one blade is wider than the other). This equipment must be used with a suitable polarized 2 wire or 3 wire extension cord. Polarized connections will fit together only one way. Make sure that the receptacle end of the extension cord has large and small blade slot widths. If the plug does not fit fully into the extension cord, reverse the plug. If it still does not fit, obtain a suitable extension cord. If the extension cord does not fit fully into the outlet, contact a qualified electrician to install the proper outlet. Do not change the tool plug or extension cord in any way

### **Motor**

Be sure your power supply agrees with the nameplate marking. Voltage decrease of more than 10% will cause loss of power and overheating. These tools are factory tested; if this tool does not operate, check power supply

### **Intended Use**

This blower vac is intended for home use.

DO NOT use under wet conditions or in presence of flammable liquids or gases.

DO NOT let children come into contact with the tool.

Supervision is required when inexperienced operators use this tool.

## **ASSEMBLY AND ADJUSTMENTS**

**WARNING:** To reduce the risk of serious personal injury, turn unit off and disconnect it from power source before making any adjustments or removing/installing attachments or accessories. An accidental start-up can cause injury.

### **Blower Tube Assembly (Fig. A, C, D, E)**

1. Rotate the fan cover 9 counterclockwise. Close and latch fan cover 9 as shown in the inset of Figure C. Rotate the center of the fan cover clockwise to close the interlock switch. **NOTE:** Unit will not operate in blow mode without fan cover closed and the center of the fan cover must be rotated clockwise to close the interlock switch. **NOTE:** Align the upper and lower tubes as shown in Fig. C.

2. Push the lower blower tube 4 firmly into the upper blower tube 3, until the tubes click into place. **NOTE:** Blow tubes must be assembled to the power head before use. **NOTE:** Never operate without both lower and upper tubes assembled.
3. In the interest of safety, it is not intended for the blower tubes to be separated once assembled.
4. Push the blower tube assembly onto the power head 2 until it is in the fully locked position (Fig. D).
5. Use the air concentrator attachment 5 to target air flow to a tighter area. Add the attachment to the assembly as shown in Fig. E. Push on until hole in tab engages raised post on tube.

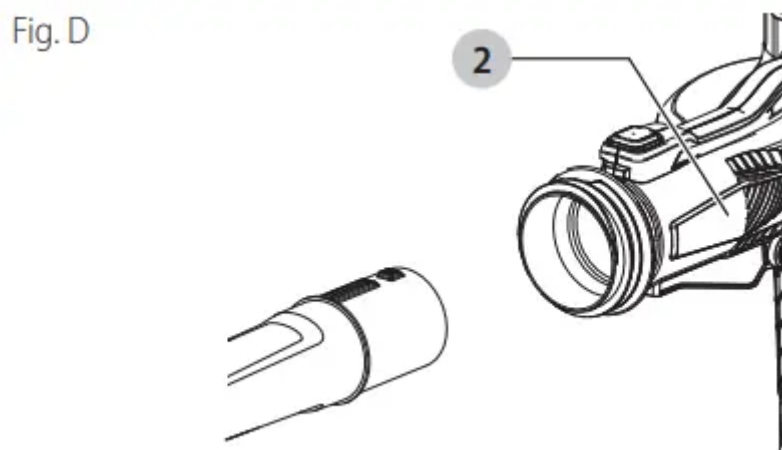
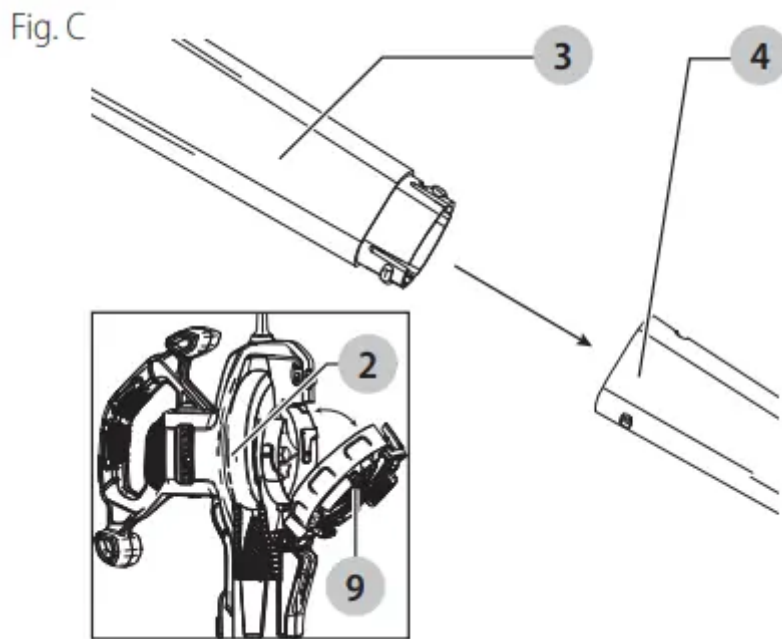
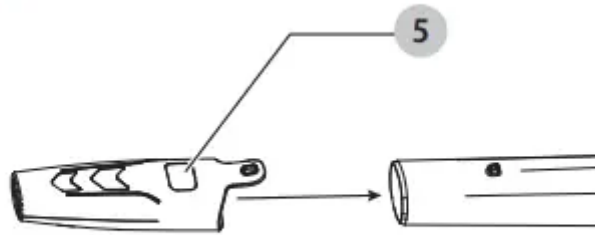


Fig. E



### Vacuum Tube Assembly (Fig. F, G, H)

**NOTICE:** Ensure the vacuum is switched off and disconnected from the power supply before attaching or removing the vacuum tube. The vacuum tube and collection bag must be assembled to the housing before use. The vacuum tubes must be assembled together before use.

**CAUTION:** CUT HAZARD. Ensure the tube assembly is securely seated and latched into position

1. Vacuum tubes must be assembled together before use.
2. Align the notches and the triangles on upper 6 and lower vac tubes 7 . (Fig. F)
3. Push the lower tube firmly into the upper tube, until the triangles click into place. (Never operate apart). NOTE: In the interest of safety, it is not intended for the tubes to be separated once assembled.
4. Rotate the center of the fan cover 9 counterclockwise. Unlatch the latch 18 and open the fan cover 9 .
5. Attach the vacuum tube assembly to the power head (Fig. H) by locating the assembly as indicated by arrow, then align the four tube lock tabs on the tube with the four locking slots. Insert the tube into the housing and twist clockwise to lock the tube into place and close the interlock switch.

Fig. F

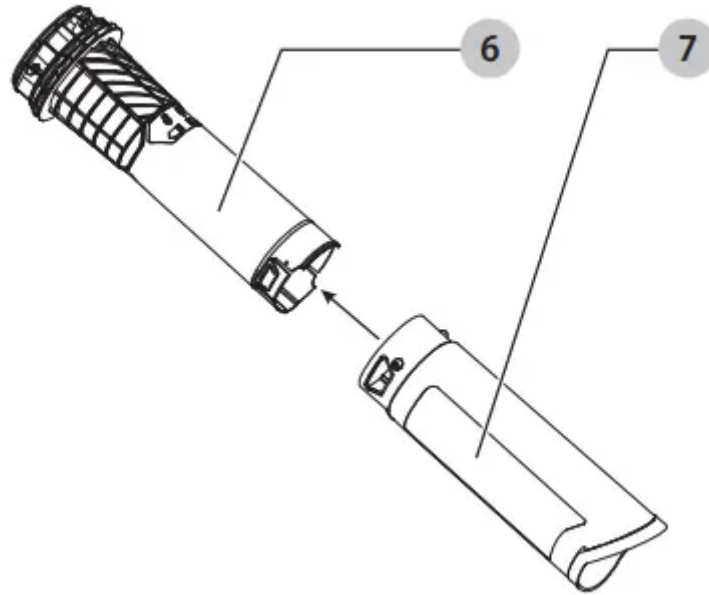


Fig. G

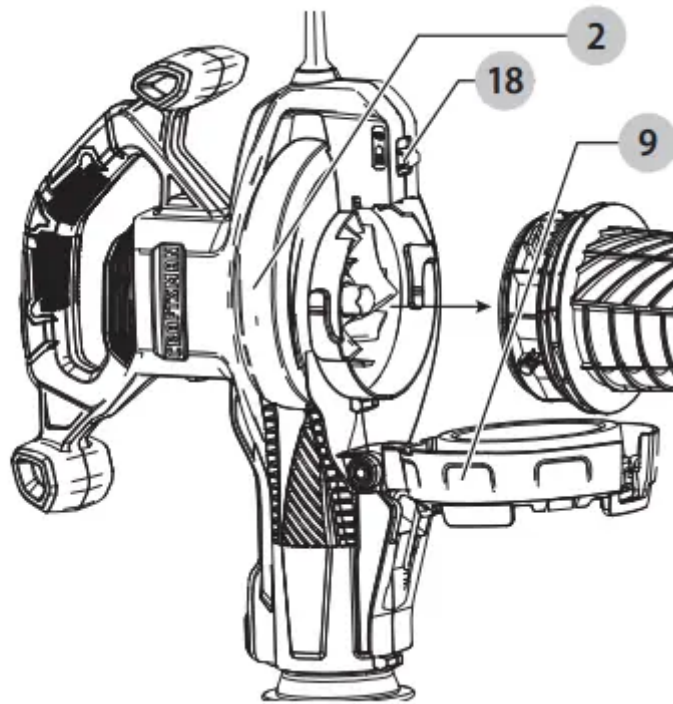
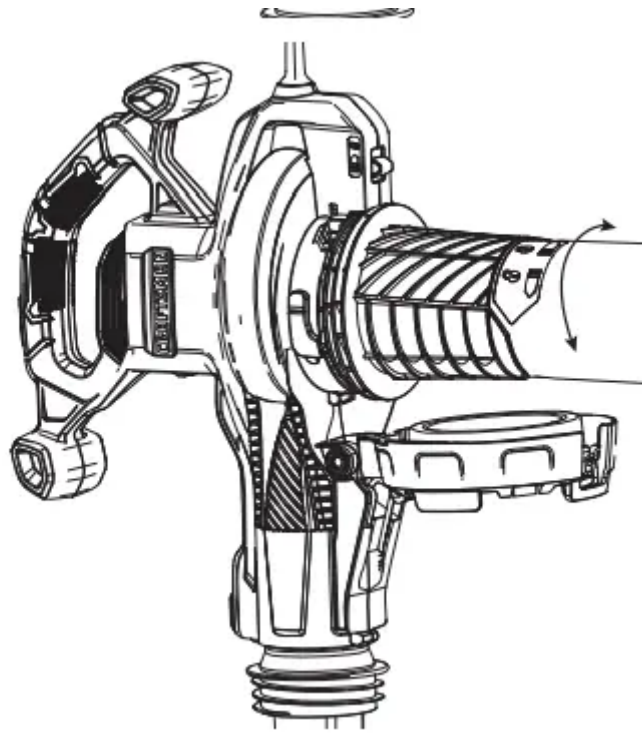


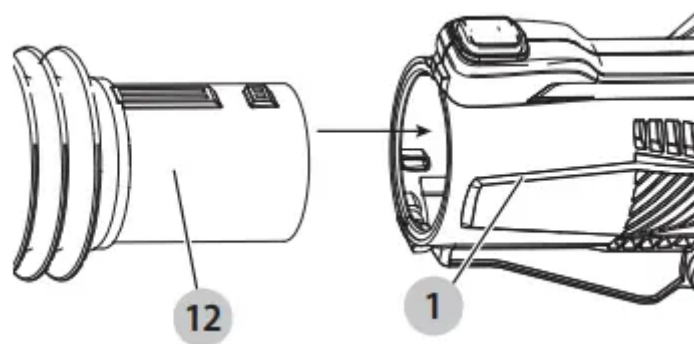
Fig. H



### Attaching Flexible Tube to Power head (Fig. I)

1. Align the power head 1 and flexible collection tube 12 as shown in Fig. I.
2. Push the flexible collection tube assembly onto the power head until it is in the fully locked position and an audible click is heard. (Fig. I).
3. To seal the back pack collection bag 8 , zip up the bag zipper so the opening is closed.

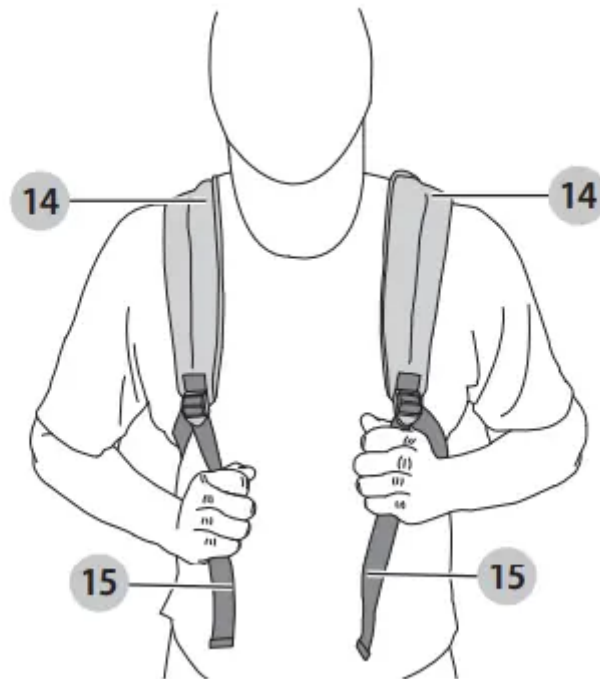
Fig. I



### Adjusting Harness (Fig. J)

1. Place the shoulder straps 14 over your shoulders.
2. Pull the adjustment straps 15 down until the backplate is firm against your back as shown in Fig. J.

Fig. J



### Removing Blow Tube or Flexible Collection Tube (Fig. I)

To remove the blow tube, flexible collection tube, depress the release button on the power head and pull straight off (Fig. I).

## OPERATION

**WARNING:** To reduce the risk of serious personal injury, turn unit off and disconnect it from power source before making any adjustments or removing/installing attachments or accessories. An accidental start-up can cause injury

**WARNING:** Always wear safety glasses. Wear a filter mask if the operation is dusty. Use of rubber gloves and substantial footwear is recommended when working outdoors.

**WARNING:** Use blower/vac only in daylight or good artificial light.

### Switching On and Off (Fig. K)

**WARNING:** Use both hands to grip the product firmly when switching on.

**CAUTION:** Do not point unit discharge at self or bystanders.

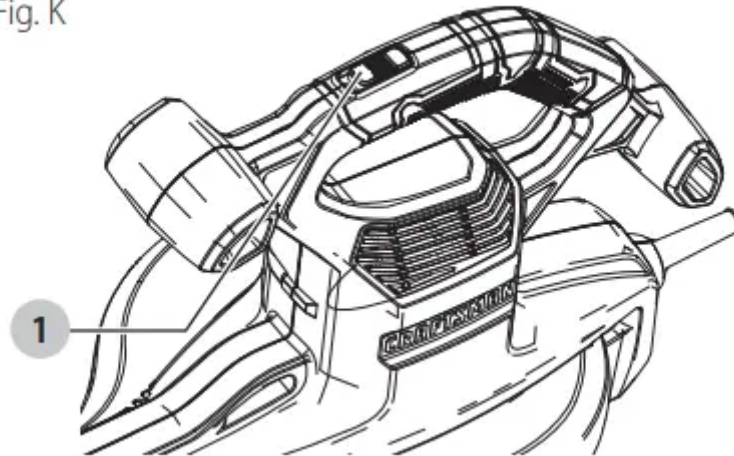
**WARNING:** The tool will continue to run for approximately 5 seconds after it has been switched off. Use both hands to grip the tool and let the motor come to a complete stop before setting the tool down.

Your blower vac is fitted with a ON/OFF switch 1 located on the top of the handle.

- To turn tool ON, slide the ON/OFF switch forward to the ON position "1".

- To turn tool OFF, slide the ON/OFF switch backward to the OFF position “0”.

Fig. K



### Blower Mode (Fig. L)

**CAUTION:** Always wear safety glasses. Wear a filter mask if the operation is dusty. Use of gloves, long pants and substantial footwear is recommended. Keep long hair and loose clothing away from openings and moving parts. THIS BLOWER IS FOR HOUSEHOLD USE ONLY.

**NOTE:** Ensure the blower is switched off and disconnected from the power supply before attaching or removing the blower tubes.

The blower tube must be assembled to the housing before use.

- Hold the blower with both hands as shown in Fig. L and sweep from side to side with the nozzle several inches above the surface. Slowly advance keeping the accumulated pile of debris in front of you.

Fig. L



## Vacuum Mode (Fig. A, G, I, M)

**WARNING:** Ensure product is switched off and disconnected from the power supply.

To fit the backpack collection bag assembly to product:

1. Remove blow tube.
2. Push the flexible collection tube assembly 12 onto the power head 2 until it is in the fully locked position and an audible click is heard. (Fig. I).
  - **WARNING:** Do not operate blower without blow tube or flexible collection tube securely in place. Never reach down into housing through tube hole.
3. Unlatch the fan cover 14 from the bottom of the power head. Refer to Figure G for further instruction.
4. Attach the vacuum tube assembly to the power head (Fig. H) by locating the assembly as indicated by arrow, then pivot about this point until the locking/release catch is fully engaged and an audible click is heard.
  - **CAUTION:** CUT HAZARD. Ensure the vacuum tube assembly is securely seated and latched into position.
5. . Unzip the collection bag 8 .
6. Connect the cord on the power head to the power supply.
7. Position the tube slightly above the debris/leaves. Turn the blower/vac on, then using a sweeping motion the debris/leaves will be sucked up the tube, mulched and deposited into the collection bag (Fig. M) .
8. As the collection bag fills, the suction power will decrease. Turn the blower/vac off and unplug from power supply before emptying collection bag.

Fig. M

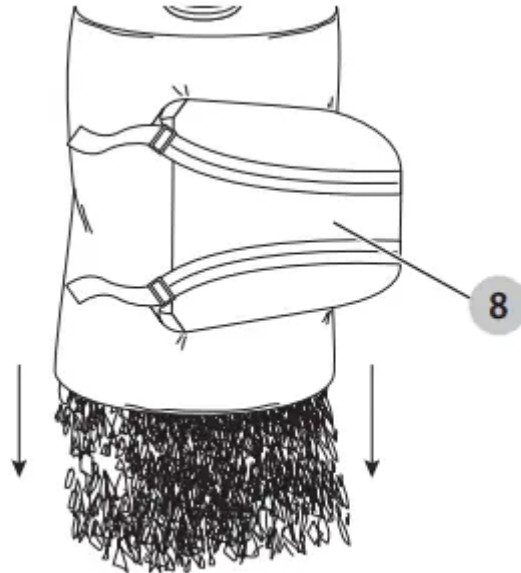


## Emptying Back Pack Collection Bag (Fig. N)

**CAUTION:** NEVER REMOVE THE COLLECTION BAG WITHOUT FIRST TURNING OFF AND UNPLUGGING THE VACUUM.

1. Empty the back pack collection bag 8 by unzipping the bag zipper.

Fig. N



**NOTE:** If the suction decreases and the bag is not full, the vacuum tube is probably clogged with debris. Turn OFF and unplug the blower/vac and clear the tube before continuing.

2. To re-seal the back pack collection bag 8 , zip up the bag zipper so the opening is closed.

**WARNING:** Do not operate blower without blow tube or flexible collection tube securely in place. Never reach down into housing through tube hole.

## What to Do if the Unit Jams (Fig. O)

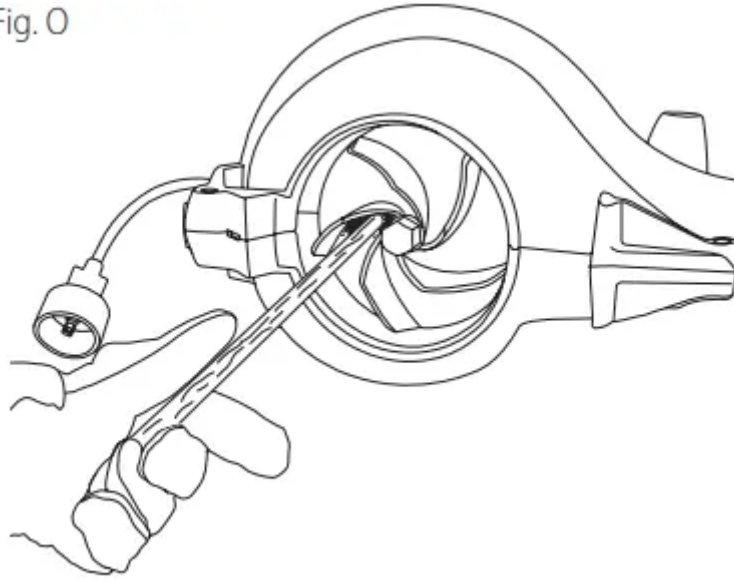
**WARNING:** To reduce the risk of serious personal injury, turn unit off and disconnect it from power source before making any adjustments or removing/installing attachments or accessories. An accidental start-up can cause injury

If the unit motor stops, the fan has become jammed. Immediately turn the unit off and stop using the tool until the jam is cleared. If this happens, turn the unit off and disconnect from power supply. Remove the bag and vacuum tube. Remove the jamming material using a small wooden stick. Do not use a metal implement or anything, which may damage the fan or scratch the plastic. Ensure the fan will turn by hand before reassembling the unit.

If the unit stops picking up debris or the performance substantially reduces it may have become clogged. Switch the unit off and disconnect from power supply. Remove the vacuum tube and look down the tube to ensure no debris is blocking it. If necessary remove debris with a small wooden stick. Do not use a metal implement or anything, which may scratch or damage the tube. Remove the bag. If the bag is full, empty the bag. If necessary remove any

debris from around the fan or unit outlet using a small wooden stick. Do not use a metal implement or anything which may damage the fan or scratch the plastic. Ensure the fan will turn by hand before reassembling the unit.

Fig. O



## MAINTENANCE

**WARNING:** To reduce the risk of serious personal injury, turn unit off and disconnect it from power source before making any adjustments or removing/installing attachments or accessories. An accidental start-up can cause injury.

### Versatrack™ (Fig. P)

**WARNING:** To reduce the risk of serious personal injury, turn unit off and disconnect it from power source before making any adjustments or removing/installing attachments or accessories. An accidental start-up can cause injury.

**WARNING:** To reduce the risk of serious personal injury, do not use a damaged Versatrack™ integral hang hook or Versatrack™ Trackwall. A damaged Versatrack™ integral hang hook or Versatrack™ Trackwall will not support the weight of the tool.

**WARNING:** To reduce the risk of serious personal injury, DO NOT suspend tool overhead or suspend objects from the integral hang hook. ONLY suspend tool on the Versatrack™ Trackwall using the integral hang hook.

**WARNING:** The Versatrack™ integral hang hook is intended to mount the tool onto a Versatrack™ Trackwall rail. Do not use the integral hang hook to mount the tool to any other surface.

**WARNING:** The Versatrack™ integral hang hook is not a belt hook. **WARNING:** When hanging objects on a Versatrack™ Trackwall rail, adequately space the tools in order to not

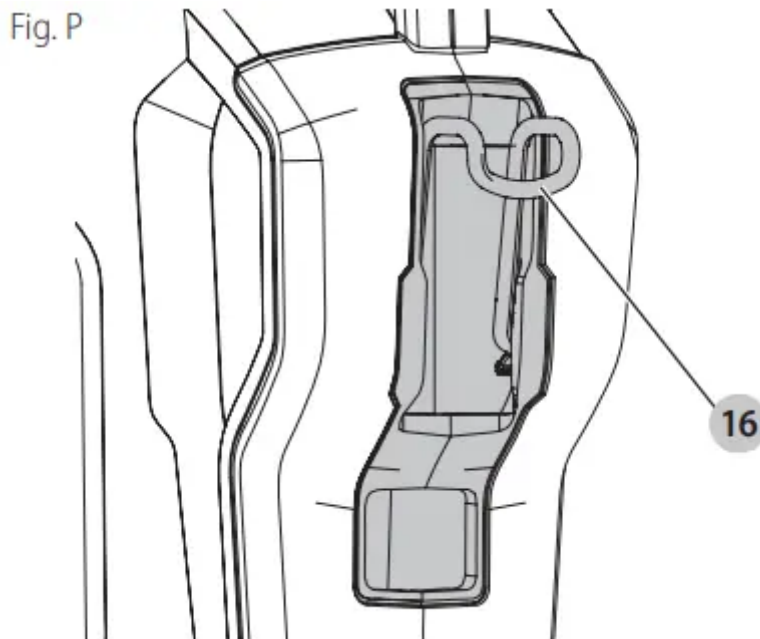
exceed 75 lb (35 kg) per linear foot. **WARNING:** Before using the tool make sure that the Versatrack™ integral hang hook is returned to its original position.

**IMPORTANT:** Versatrack™ accessories mount compatible tools securely to the Versatrack™ Trackwall system.

1. Turn tool off, disconnect it from power source and remove accessories.

**CAUTION:** Any product with exposed cutting teeth must have them covered securely if it is to be on the Versatrack™ Trackwall.

2. Flip or pull open the integral hang hook 16 . It clicks when locked into position.
3. Mount the integral hang hook to the Versatrack™ Trackwall.



## Accessories

**WARNING:** Since accessories, other than those offered by CRAFTSMAN, have not been tested with this product, use of such accessories with this tool could be hazardous. To reduce the risk of injury, only CRAFTSMAN recommended accessories should be used with this product.

Recommended accessories for use with your tool are available at extra cost from your local dealer or authorized service center. If you need assistance in locating any accessory, please contact CRAFTSMAN call 1-888-331-4569.

## Repairs

**WARNING:** To assure product SAFETY and RELIABILITY, repairs, maintenance and adjustment (including power cord repairs, and brush inspection and replacement, when

applicable) should be performed by a CRAFTSMAN factory service center or a CRAFTSMAN authorized service center. Always use identical replacement parts.

## Cleaning

**WARNING:** Blow dirt and dust out of all air vents with clean, dry air at least once a week. To minimize the risk of eye injury, always wear ANSI Z87.1 approved eye protection when performing this procedure.

**WARNING:** Never use solvents or other harsh chemicals for cleaning the non-metallic parts of the tool. These chemicals may weaken the plastic materials used in these parts. Use a cloth dampened only with water and mild soap. Never let any liquid get inside the tool; never immerse any part of the tool into a liquid.

## Register Online

Thank you for your purchase. Register your product now for:

- **WARRANTY SERVICE:** Registering your product will help you obtain more efficient warranty service in case there is a problem with your product.
- **CONFIRMATION OF OWNERSHIP:** In case of an insurance loss, such as fire, flood or theft, your registration of ownership will serve as your proof of purchase.
- **FOR YOUR SAFETY:** Registering your product will allow us to contact you in the unlikely event a safety notification is required under the Federal Consumer Safety Act

## TROUBLESHOOTING GUIDE

BE SURE TO FOLLOW SAFETY RULES AND INSTRUCTION

PROBLEM	CAUSE	CORRECTION
<b>Unit will not start.</b>	Cord not plugged in.	Plug tool into a working outlet.
	Circuit fuse is blown.	Replace circuit fuse. (If the product repeatedly causes the circuit fuse to blow, discontinue use immediately and have it serviced at an authorized service center.)
	Vacuum tube is not assembled correctly.	Refer to Vacuum Tube Assembly for proper instructions.
	Fan cover center is not turned to the run position.	Turn the fan cover center to the run position.
	Circuit breaker is tripped.	Reset circuit breaker. (If the product repeatedly causes the circuit fuse to blow, discontinue use immediately and have it serviced at an authorized service center.)
	Cord or switch is damaged.	Have cord or switch replaced at an authorized service center

### Warning

This content is compiled from multiple sources and is provided for reference purposes only. It may not be complete or fully applicable to all situations. If you are unable to resolve your issue, please contact the product manufacturer or an authorized service provider for official support.

