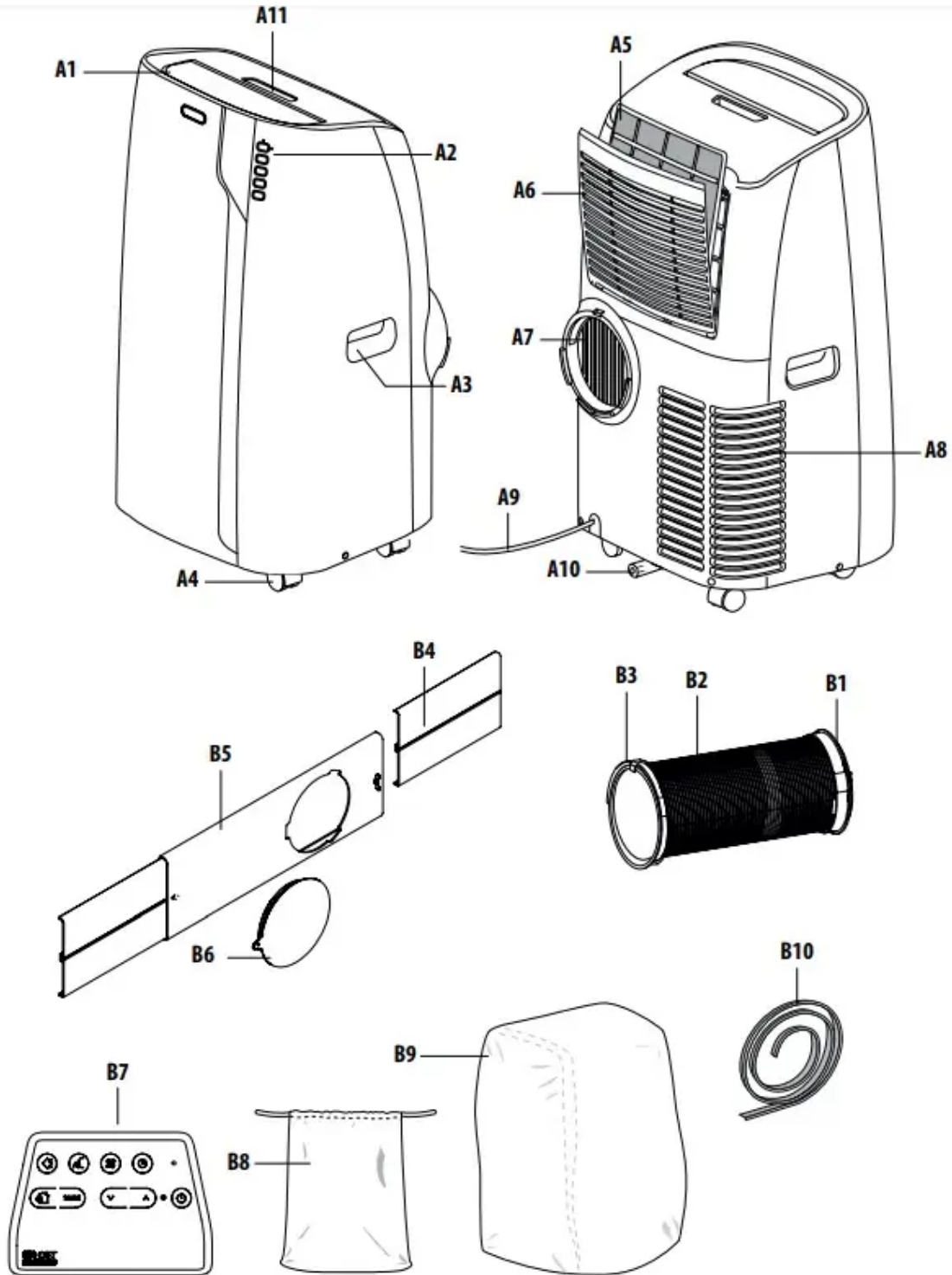


# USER MANUAL PORTABLE AIR CONDITIONER



## DESCRIPTION

Description of the appliance (see page 3 - A)

A1 air outlet flap

A2 control panel

A3 handles

A4 castors

A5 air filter

A6 air intake grille

A7 air exhaust hose housing

A8 air intake grille

A9 power cable

A10 drainage hose with cap

A11 CST remote control compartment

#### Description of the accessories (see page 3 - B)

B1 adapter for window bracket

B2 air exhaust hose

B3 hose adaptor

B4 additional window bracket

B5 window bracket with wing nut

B6 window bracket cap

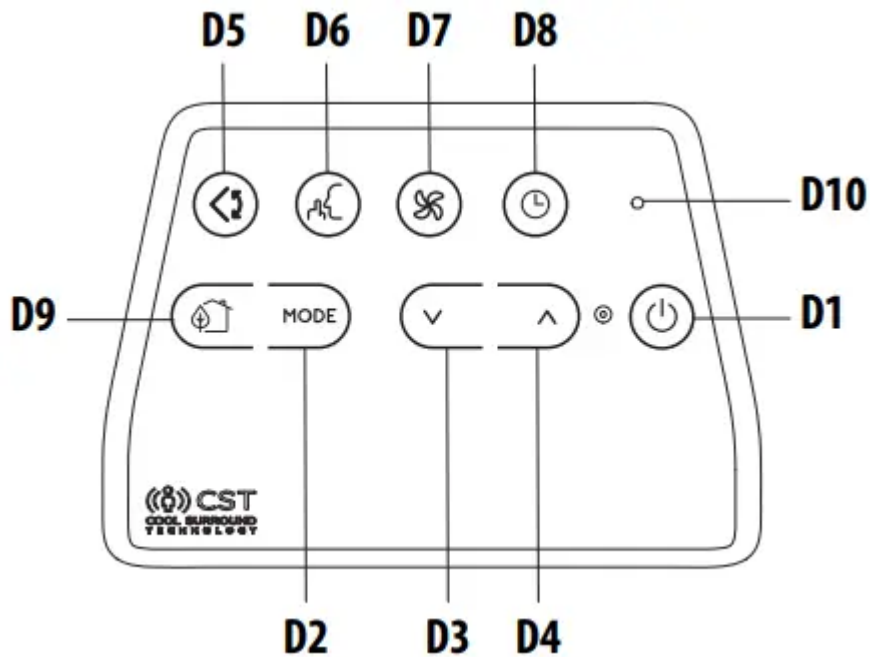
B7 CST (Cool Surround Tecnology) remote control

B8 end of season accessories bag (\*not on all models)

B9 end of season dust cover (\*not on all models)

B10 stripping foam

## DESCRIPTION OF THE CST REMOTE CONTROL



D1 ON/STAND-BY (on/off) button

D2 MODE button

D3 Decrease button

D4 Increase button

D5 Swing button (flap swing)

D6 ARCTIC WHISPER EXTREME button

D7 Air flow button

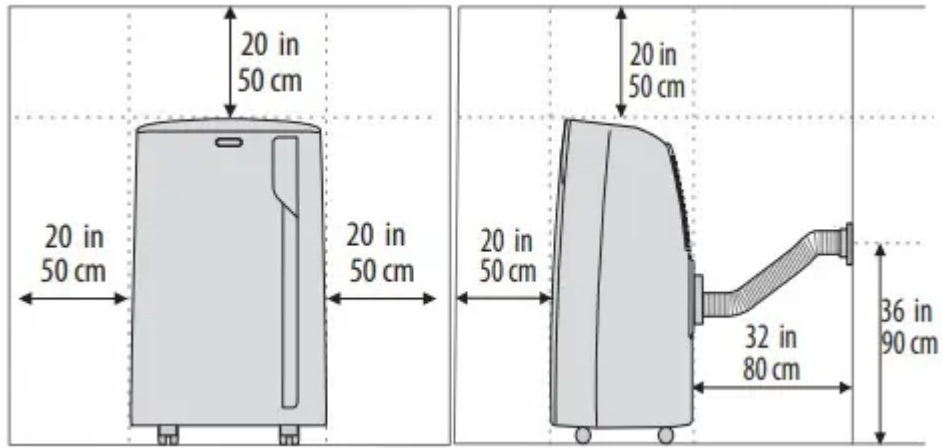
D8 Timer button

D9 ECO REAL FEEL button

D10 Indication LED

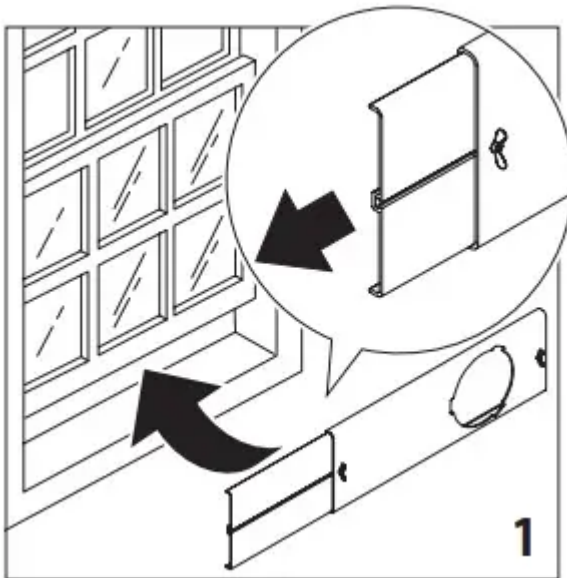
## AIR CONDITIONING INSTALLATION

For optimal results see the figures below for the suggested minum distances.

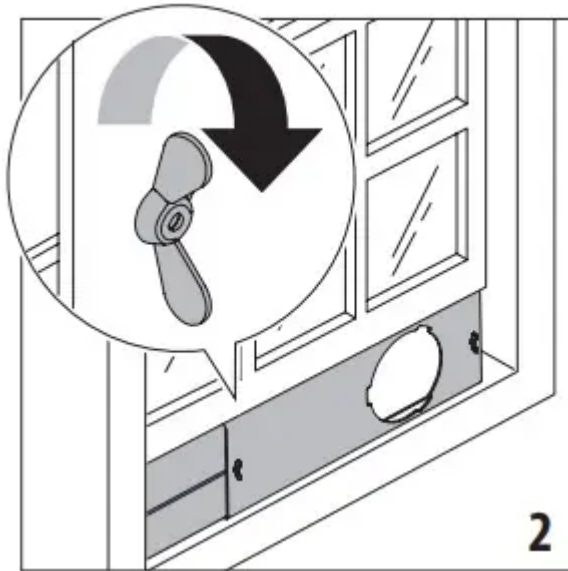


## DOUBLE-HUNG WINDOW

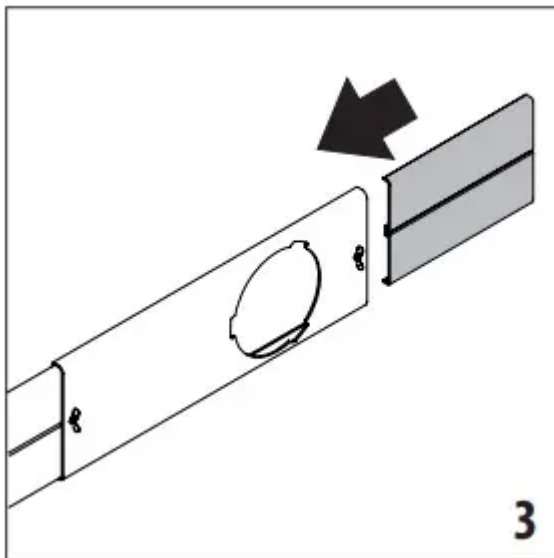
- Place the window bracket (B5) in the window sill, extend the bracket fully within the window frame (fig. 1).



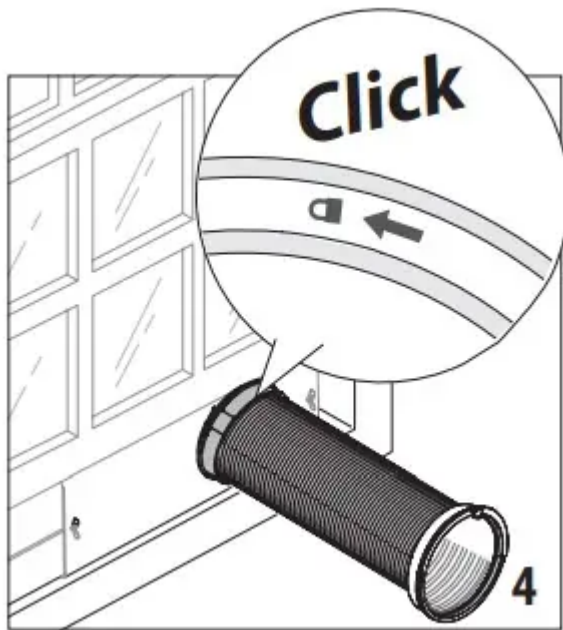
- Fix the bracket by the wing nut (fig. 2). Attach the provided stripping foam (B10) to the top of the window bracket and then lower the window onto the bracket. (Should the window bracket be too large for the window the plastic can be cut with a saw by a qualified professional.)



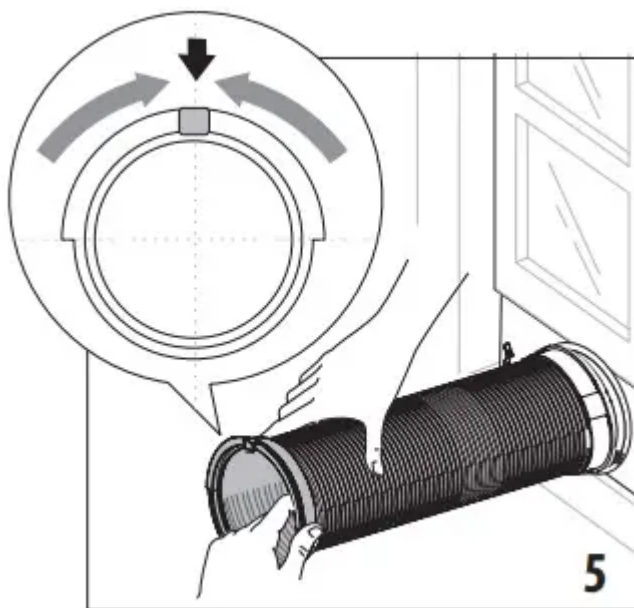
- If the windows are large, use additional window bracket (B4) to cover your window aperture, extending it to the required length, then blocking it with the locking wing nut supplied (fig. 3).



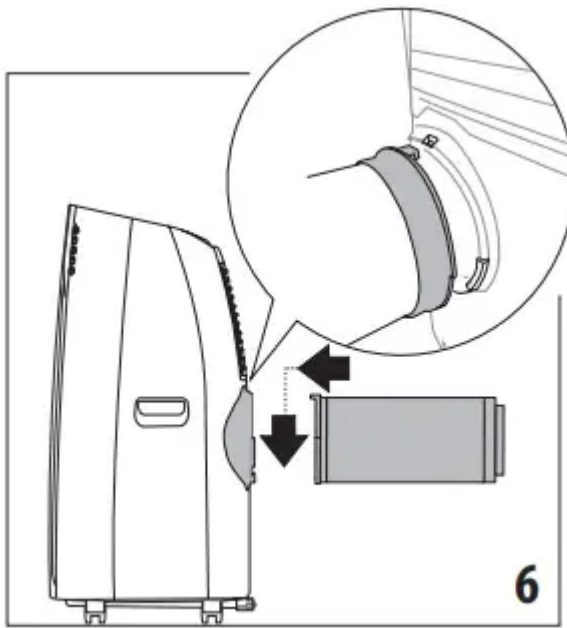
- Insert and lock the accessory for window bracket (B1) already assembled to the air exhaust hose, into the slot of the window bracket (fig. 4).



- In order to facilitate the fitting of the air exhaust hose (B2) in the relevant housing located on the rear side of the appliance, position the hose adapter's tabs (B3) in a vertical axis as shown in fig. 5



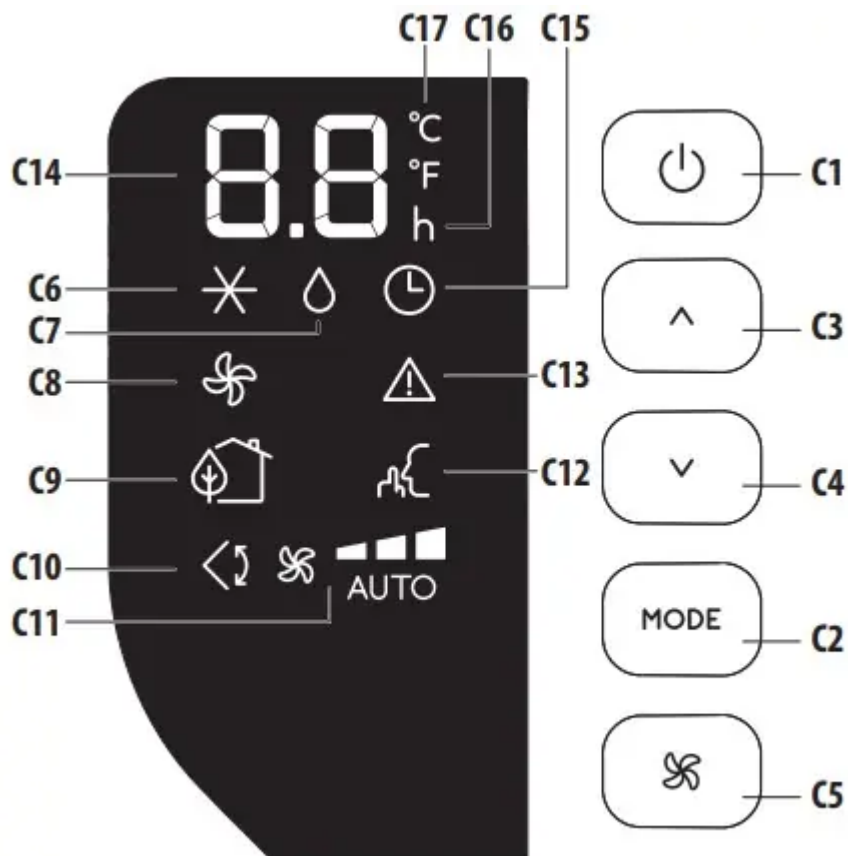
- Fit the air exhaust hose (B2) in the relevant housing located on the rear side of the appliance (fig . 6).



### SLIDING WINDOWS

- Thanks to the locking wing nut, it's possible to use the window bracket also for sliding windows. Position the hole of the bracket so to allow a correct installation of the exhaust hose.

### OPERATING FROM THE CONTROL PANEL



## DESCRIPTION OF THE CONTROL PANEL (C)


- C1. ON/STAND-BY (on/off) key
- C2. Function selection key MODE (air conditioning, dehumidifying, fan)
- C3. Increase key
- C4. Decrease key
- C5. Fan speed selection key (MIN/MED/MAX/AUTO)
- C6. Air conditioning symbol
- C7. Dehumidifying symbol
- C8. Fan symbol
- C9. ECO REAL FEEL symbol/status indicator
- C10. Swing symbol
- C11. Fan speed indicator
- C12. ARCTIC WHISPER EXTREME symbol
- C13. Alarm symbol
- C14. Set temperature values, programmed on/off timer
- C15. Timer symbol
- C16. Timer indicator
- C17. Selected temperature scale indicator

## CONTROL PANEL OPERATION


### TURNING THE APPLIANCE ON AND OFF


Insert the plug in the socket. Two dashes appear on the display indicating that the appliance is in stand-by.



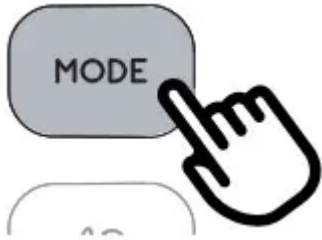
Touch the  (C1) key to turn ON the appliance.

The flap A1 will open after few seconds. When the appliance comes ON the last function set before it was shut off is activated.





Please note: If start-up is not continued, after a few minutes the display light dims in order to reduce energy consumption. To turn the appliance off, touch the  key and then pull the plug.


Please note: Never turn off the air conditioner by simply pulling the plug. Touch the  key in order to put your air conditioner in stand-by and wait a few minutes before pulling the plug. In this manner, the appliance can perform the operating status checks.

## MODES SELECTION

	<p>To select the desired operating mode, touch repeatedly the MODE key (C2) until the desired function is selected.</p>
---	---

## \* AIR CONDITIONING MODE

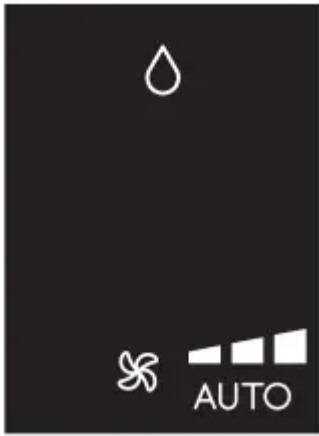
	<p>This is ideal for hot and humid weather when the room needs to be cooled. This function also helps dehumidify the air.</p> <p>To correctly set this mode:</p> <ul style="list-style-type: none"><li>• Touch repeatedly the MODE key (C2) until the air conditioning  symbol appears. The display will show the desired temperature.</li><li>• To change the temperature to be reached, touch the  (C3) or  (C4) key.</li></ul>
---	--

- Select the desired fan speed by touching the  (C5) key.


The speeds available are:

	Minimum speed: when maximum silent operation is desired.
	Medium speed: when the noise level needs to be low but with a good comfort level.
	Maximum speed: to reach the desired temperature as soon as possible.
	Auto: the appliance automatically chooses the best fan speed based on the temperature selected and the environmental conditions.


## DEHUMIDIFYING MODE

	<p>This is ideal for reducing humidity in the room (spring and autumn, damp rooms, rainy periods, etc). For this type of use, the appliance must be set up as for air conditioning mode. That is, the air exhaust hose (B2) must be fitted to the appliance to allow the humidity to be discharged outside.</p>
--	---

To correctly set this mode:

- Touch repeatedly the MODE key (C2) until the dehumidifying  symbol appears
- The appliance will automatically choose the best airflow.

## FAN MODE

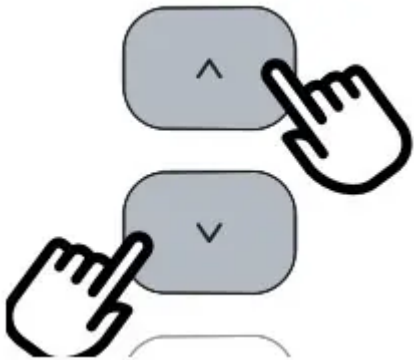
	<p>When using this mode, the air exhaust hose (B2) does not need to be attached to the appliance.</p> <p>To correctly set this mode:</p> <ul style="list-style-type: none"> <li>• Touch repeatedly the MODE (C2) key until the fan symbol appears</li> </ul>
---	--

- Select the desired air flow by pressing button (C5).

The air flows available are:

	Minimum air flow: when most silent operation is desired.
	Medium air flow: when the noise level needs to be low but with a good comfort level.
	Maximum air flow: for maximum performance.

## SELECT THE TEMPERATURE SCALE

	<p>The temperature can be displayed in °C or °F. To change the temperature unit of measure touch both the increase ^ (C3) or decrease v (C4) keys for about 10 sec.</p>
---	---

## CLEANING

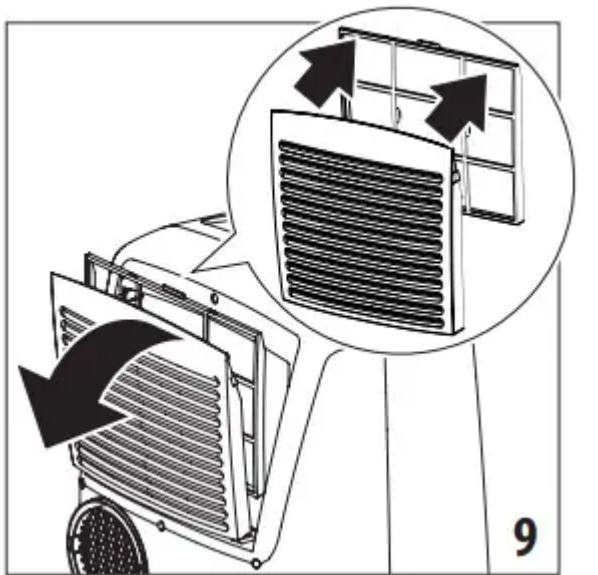
### CLEANING THE APPLIANCE

You should clean the appliance with a slightly damp cloth then dry with a dry cloth. For safety reasons, never wash the air conditioner with water.

Attention! Never use petrol, alcohol or solvents to clean the appliance. Never spray insecticide liquids or similar.

### CLEANING THE AIR FILTER

If the filter is dirty, air circulation is compromised and the efficiency of the appliance decreases. It is therefore good practice to clean the filter at regular intervals. The frequency depends on the duration and conditions of operation. If the unit is used constantly or systematically, you are recommended to clean the filter once a week. The filter is housed in the intake grille. To clean the filter, extract as shown in fig. 9.



Use a vacuum cleaner to remove the dust collected on the filter. If it is very dirty, immerse in warm water and rinse a number of times. The water should never be hotter than 104°F. After washing the filter, allow it to dry completely before repositioning it. The filter helps capture dust and pollen.

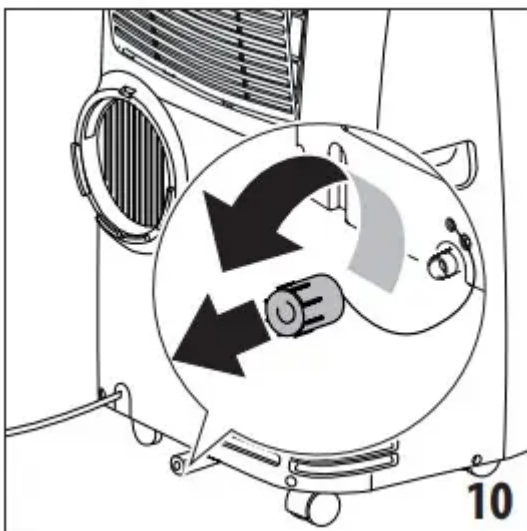
#### **START OF SEASON CHECKS**

Make sure the power cable and plug are undamaged and the electrical outlet is in working order.

Follow the installation instructions precisely

#### **END OF SEASON OPERATIONS**

To drain all water from the circuit, remove the external cap by unscrewing it in the counter clockwise direction and allow the water to drain out into a basin (fig. 10).




When the appliance is empty, replace the caps. Clean the filter and dry thoroughly before putting back. In order to properly storage the appliance at the end of the season, we suggest you cover it with the supplied end of season dust cover (B9) and you put the accessories in the relevant end of season accessories bag (B8).

\*dust cover and accessories bag only included with some models.

# TROUBLESHOOTING



<b>PROBLEM</b>	<b>CAUSE</b>	<b>SOLUTION</b>
The air conditioner does not come ON	it is not plugged into the outlet	plug into the outlet
	there is no power	wait for the current to return
	the internal safety device has tripped	call the Service Center
The air conditioner works for a short time only	there are bends or kinks in the air exhaust hose	position the air hose correctly, keeping it as short and free of curves as possible to avoid bottlenecks
	something is preventing the air from being discharged	check and remove any obstacles obstructing air discharge
The air conditioner works, but does not cool the room	windows, doors and/or curtains open	close doors, windows and curtains, bearing in mind the "TIPS FOR CORRECT USE" given above
	there are heat sources in the room (oven, hairdryer, etc)	minimize heat sources impact by setting on low or unplugging unnecessary sources
	the air exhaust hose is detached from the appliance	fit the air exhaust hose in the housing at the back of the appliance (fig. 6).
	filter clogged	clean or replace the filter as described above
During operation, there is an unpleasant smell in the room	filter clogged or dirty	clean the filter as described above

PROBLEM	CAUSE	SOLUTION
The air conditioner does not operate for about three minutes after restarting it	an internal safety device prevents the appliance from being restarted until three minutes have elapsed since it was last turned off wait. This delay is part of normal operation.	wait. This delay is part of normal operation.
The scripts Lt/Ht/Lh/PF/HL/Ei and the symbol  appear on display.	the appliance has a self diagnosis system to identify a number of malfunctions.	see the SELF-DIAGNOSIS chapter

### Warning

This content is compiled from multiple sources and is provided for reference purposes only. It may not be complete or fully applicable to all situations. If you are unable to resolve your issue, please contact the product manufacturer or an authorized service provider for official support.