

DISHWASHER FEATURES

Capacity: 14 place settings

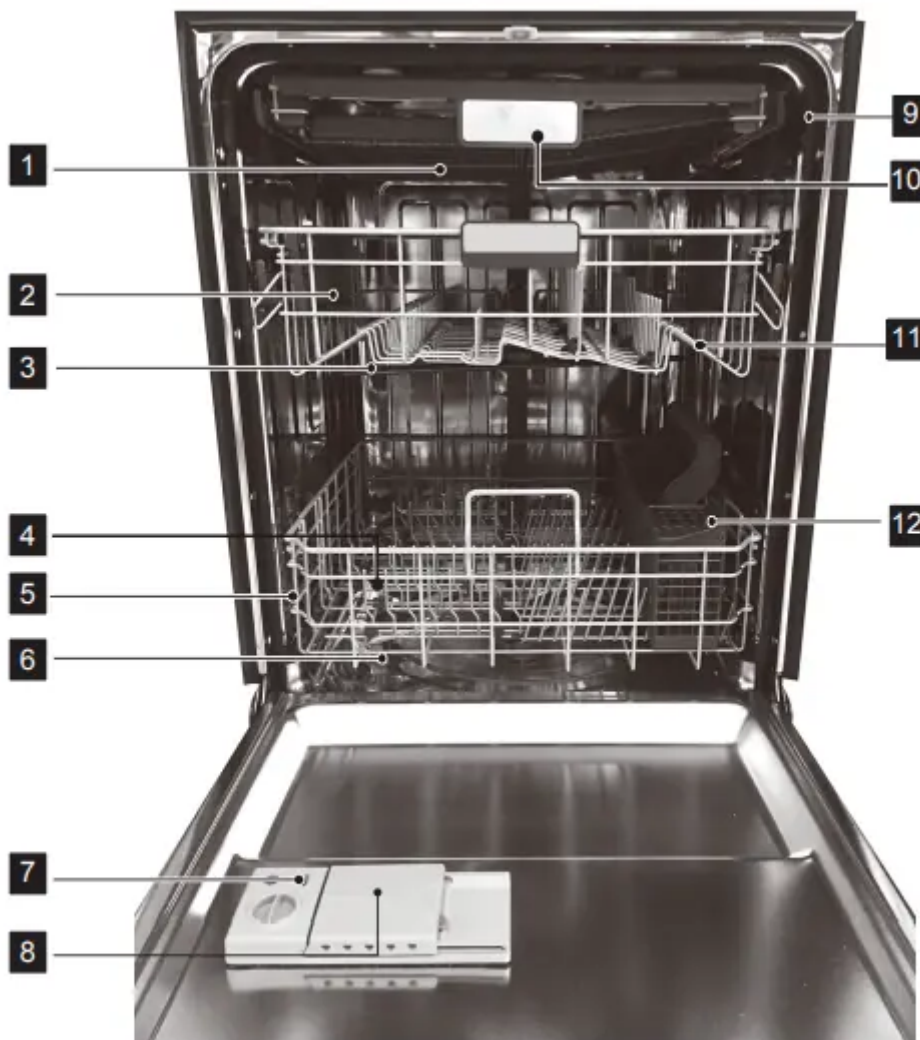
Dimension: 23.89 x 25.6 x 33.74 inches W x D x H ()

Weight: unpacked 99lb 45kg

Power Supply: 120volts 60Hz

Rated power usage: Wash motor 50W Heater 840W

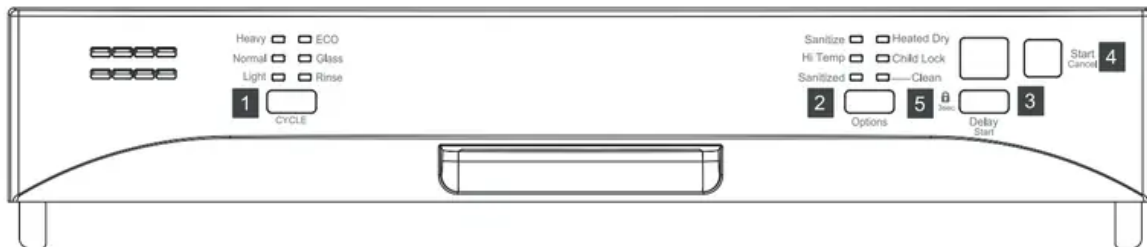
Water Feed Pressure: 20 ~ 120 psi; 138 ~ 828kPa



1. Top Spray Arm
2. Cup Shelf
3. Upper Spray Arm
4. Lower Spray Arm

5. Bottom Rack
6. Heating Element
7. Rinse Aid Dispenser
8. Detergen t Dispenser
9. Tub Gasket
10. Top Rack
11. Adjustable Upper Rack
12. Silverware Basket

Operating instructions



1. Cycles: With the dishwasher door close, you can press the PRO button to select the wash cycle. A light on the display will indicate which cycle has been selected.

Wash Cycle Selections

- Heavy wash : This cycle is for hard-to-clean, heavily soiled pots, pans and dishes.
- Normal wash: This cycle is for regularly soiled dinner dishes or silverware.
- Light wash: This cycle is for lightly soiled and pre-rinsed dishes and silverware.
- Eco: This cycle is for all items. It can determine the condition of soil on the dishes and initiate the optimal cycle to obtain the best cleaning performance
- Glass: This cycle is for delicate dishes or glasses.
- Rinse wash: This cycle is for pre-rinsing dishes or glasses. This is only a rinse that keeps food from drying on your dishes and reduces odor buildup in your dishwasher until you are ready to wash a full load. Do not use detergent.

2. Options: When the wash cycle has been selected, you can choose options by pressing the "Options" button.

- Sanitize: To sanitize your dishes and glassware, select the Sanitize option. When selected, the light above the pad will turn on and remain on until end of cycle. The water temperature in the final rinse will be raised. The option is available in Heavy and Normal Wash.

- **Hi-Temp Wash:** This option can increase the water temperature in the main wash and rinse. This increase in water temperature helps the dishwasher detergent remove food, grease and soil from dishes more effectively. The option is available in Heavy and Normal Wash.
- **Heated Dry:** This option is available on all cycles except rinse only. The Heated Dry option in combination with rinse aid will enhance drying performance. You can turn off by pressing Heated Dry so that the light goes off during the period of the washing.

3. Delay Start

- To delay the start of a selected cycle, press Delay /Start pad until the desired delay time shows in the LED indicator. It allows you to automatically start your dishwasher for a 1 to 24 hour delay.
- To cancel the Delay Start option and begin the cycle before the delay period is over press the Start/Cancel pad.

4. Start/Cancel

- Push door firmly closed. The door latches automatically. Select the wash cycle and options desired, the indicator light above the pad will turn on. To start press the Start/Cancel pad once, the light will flash and the wash action begins. To cancel when a cycle is running, press Start/Cancel pad once and the dishwasher will start a 60 second drain and then shut off. At the end of the drain, you can select the desired cycle.
- When you want to load more dishes or pause the dishwasher while it is already running, make sure to open the door slowly and carefully as there is a possibility of injury from the hot steam inside the dishwasher. You can add more dishes before the main wash starts. Open the door and check the detergent dispenser. If the main wash section of the detergent dispenser is still closed, you can add items. If the door is opened while the dishwasher is running, a safety mechanism is activated and stops the cycle.

5. Child Lock

- You can lock all controls to prevent children from accidentally changing the dishwasher cycle or starting the dishwasher.
- Press and hold the Delay Start pad for 3 Seconds the lock graphic light will turn on
- To unlock the control press and hold the Heated Dry pad for 3 seconds, the lock graphic light will turn off.

Indicator light

Sanitize

- When "sanitize" option is selected, the temperature Child Lock of the water will reach a maximum of 70°C (158°F).

- Certified residential dishwashers are not intended for licensed food establishments. The sanitize cycle is NSF certified.

Warning: The sanitize option is available with " Heavy" " Normal" " Light" and " ECO" cycle.

Clean

- The clean light will turn on at the end of the cycle.

Status Window

- 01-24: If the Delay Start option is selected, the number of delay start hours shows in the Status Window. If the dishwasher is working and the wash cycle time is more than a hour, number of hours and minutes left shows alternately in the Status Window.
- CL: Flashes once the program has been entered and the Start/Cancel key is pressed. It also flashes if the door is opened during a wash cycle. Close the dishwasher door to begin or continue a wash cycle.
- MINUTES: Number of minutes left in a cycle (0-59 or 1H-2H). It shows hours and minutes alternately.

NOTE: The remaining time could suddenly increase or decrease by several minutes. This means the Smart Sensor has checked the soil level and adjusted for the appropriate water fill level.

Program	Description of Cycle	Detergent(g)	Water(L)	Running time (min)	Running time with Hi temp(min)	Running time with Sanitize (min)
Heavy	Pre Wash	0/9.9	22.8	140	150	170
	Pre Wash					
	Wash(48°C)					
	Rinse					
	Rinse					
	Rinse(58°C)					
Drying						
Normal	Pre Wash	AHAM/CU Test : 0/19.9 DOE Test : 0/9.9 CU Test : 15/15	10.8~23.0	105~135	130	135~165
	Auto(42~48°C)					
	Rinse(50~58°C)					
	Drying					
Light	Pre Wash	0/9.9	11.4~19.3	115~120	125~130	145~150
	Auto(42°C)					
	Rinse(58°C)					
	Drying					
ECO	Pre Wash	0/9.9	19.3	105	115	150
	Pre Wash					
	Wash(40°C)					
	Rinse					
	Rinse(50°C)					
	Drying					
Glass	Pre Wash	0/9.9	19.3	120	/	/
	Pre Wash					
	Wash(48°C)					
	Rinse					
	Rinse(58°C)					
Drying						
Rinse		0	8.0	20	/	/

NOTE: The NSF certified is Normal/Auto Cycle with the sanitize option selected.
The CU test is Normal Cycle with the hi temp option selected.



PREPARING AND LOADING DISHES



8 place settings standard loading pattern
(For best washing performance, the upper rack should be in the raised position.)



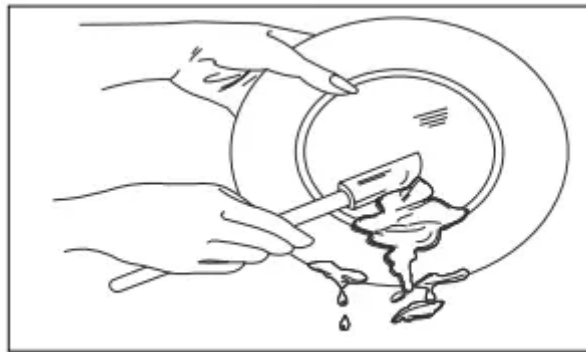
12 place settings standard loading pattern



14 place settings standard loading pattern

Dish preparation

- Scrape away large pieces of food, bones, pits, toothpicks, etc. The continuous filtered wash system will remove the remaining food particles. Burned-on foods should be loosened before loading. Empty liquids from glasses and cups.
- Foods such as mustard, mayonnaise, vinegar, lemon juice and tomato based products may cause discoloration of stainless steel and plastics if allowed to sit for a long period of time. Unless the dishwasher is to be operated at once it is best to rinse off these food soils.
- If the dishwasher drains into a food disposer, be sure disposer is completely empty before starting dishwasher.



Loading the upper rack

- The upper rack is designed for cups, glasses, small plates, bowls and plastic items marked “dishwasher safe” etc.
- For best results, place the bowls, cups, glasses, sauce pans with soiled surface facing down or toward the center. Tilt slightly for better drainage.
- Make sure the loaded dishes do not interfere with the rotation of the middle spray arm, which is located at the bottom of the upper rack. (Check this by rotating the middle spray arm by hand.)

Loading the Bottom Rack

- The bottom rack is designed to load plates, soup bowls, plates, saucers and cookwares. The adjustable rack space will allow you to load maximum 13 inch items.

Large items should be placed along the edge so they do not interfere with the middle spray arm rotation, and make sure they do not prevent the detergent dispenser from opening. Large items

should be turned so that the inside faces downward, and make sure these items do not interfere with the lower spray arm rotation.

- The fold-down tines in the bottom rack make it easy to load those extra large and hard-to-fit items. The tines may be left up for normal use or folded down for more flexible loading. Fold down for more space to load large pots or pans



8 place settings standard loading pattern



12 place settings standard loading pattern

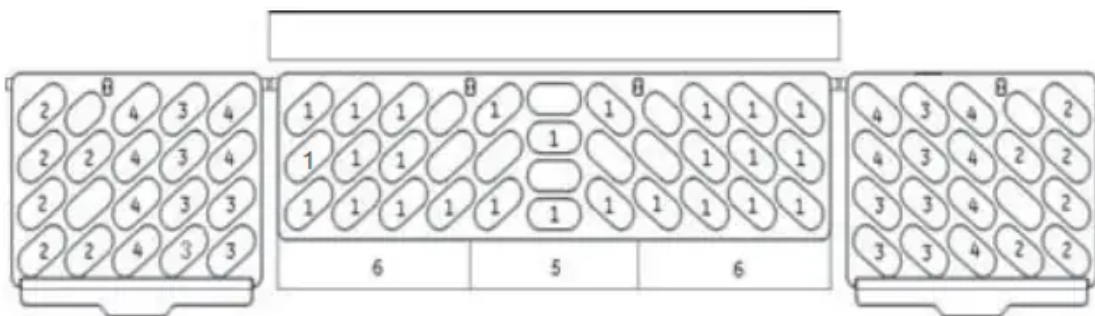


14 place settings standard loading pattern

Loading the Silverware Basket

The silverware basket could be divided into three separate modules that can be used in both upper and lower racks

1. spoons
2. Knives
3. ~~Kalad~~ forks
4. forks
5. large forks
6. large spoons



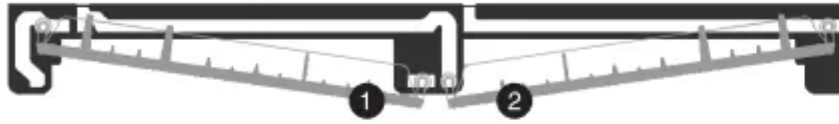
Adding A Dish

To add or remove items after wash cycle starts:

1. Open door slightly and wait a few seconds until wash action stops before completely opening.
2. Add the item.
3. Close door firmly to latch and cycle will automatically resume

Adjusting the top rack

This dishwasher has a convenient top rack for silverware, cutlery, and small items. This rack can be adjusted to accommodate varying loads, as shown below.



Left and right racks aligned



Left rack adjusted to lower position and right rack angled



Left rack adjusted to lower position and right rack to upper position



Left rack adjusted to lower position and right rack moved to the left

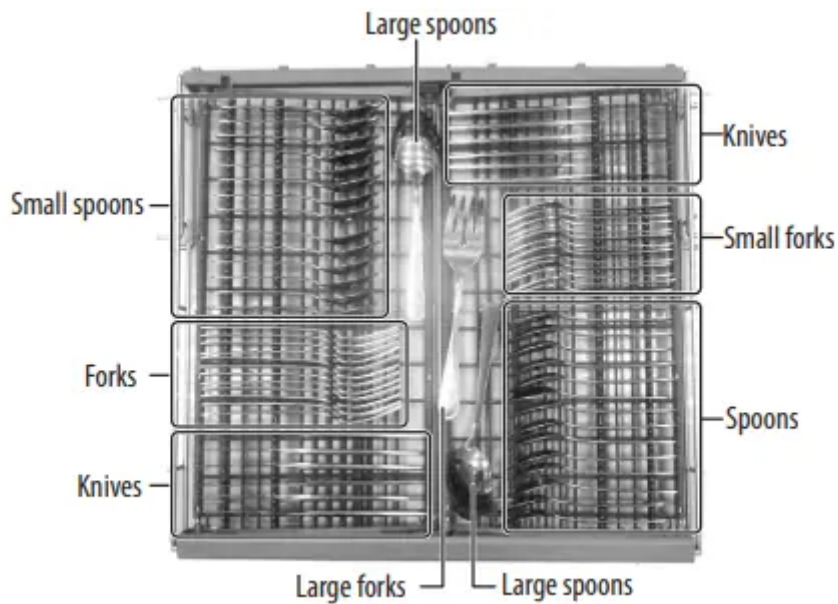


Left rack adjusted to lower position and right rack removed

Loading the top rack

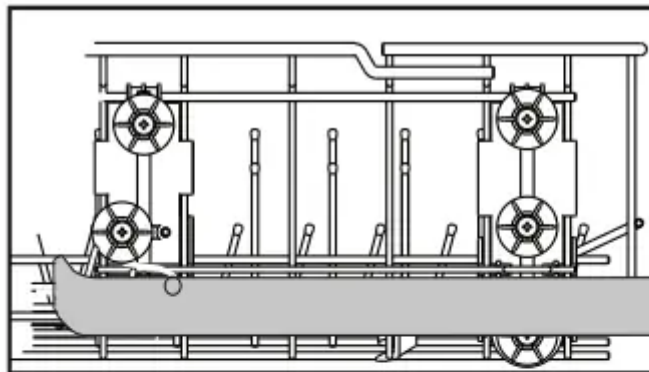
You can place the items in the top rack randomly or in an orderly fashion. The image below shows how to load the top rack for 16 place settings:



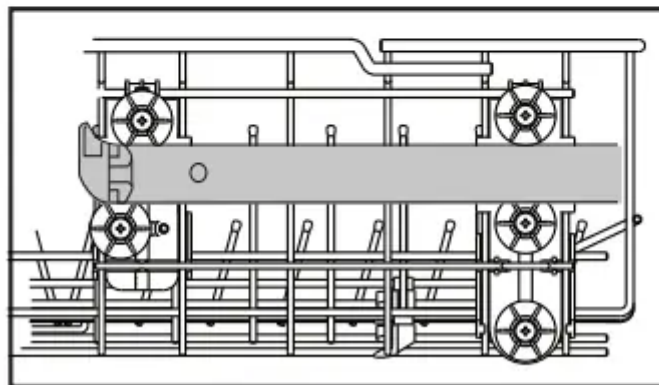


Adjustable Upper Rack

- The upper rack height can be easily adjusted to accommodate loading taller dishes in either rack.
- To accommodate taller dishes in the bottom rack, there are 2 positions available:



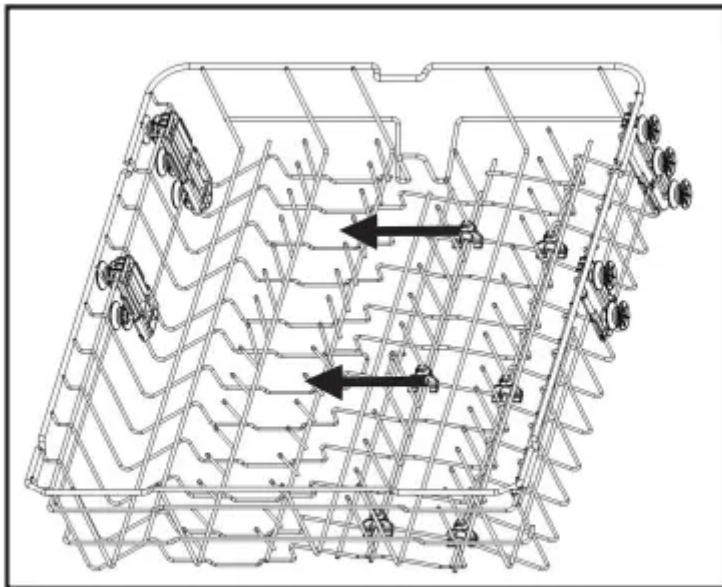
Upper Rack Position



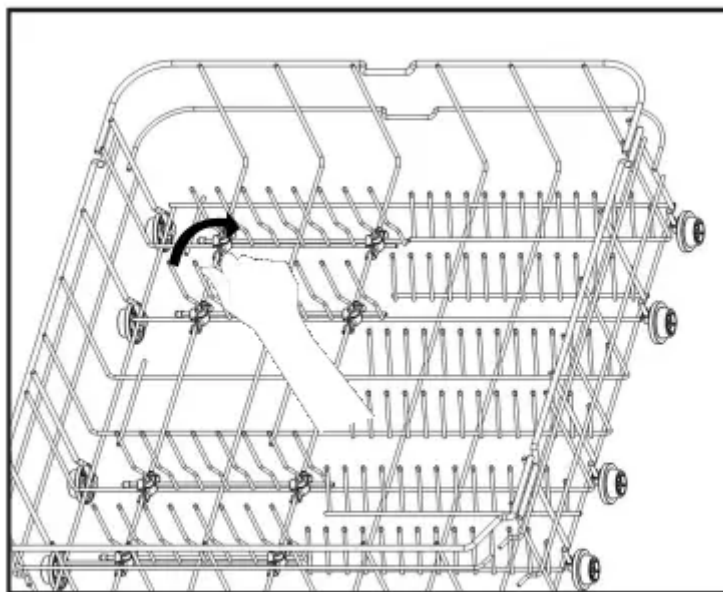
Lower Rack Position

Fold-down Tines

- The fold-down tines in the rack make easy loading for those extra large and hard-to-fit items. The tines may be left up for normal use or folded down for more flexible loading. Fold down for more space to load large pots or pans.



Upper Rack



Lower Rack

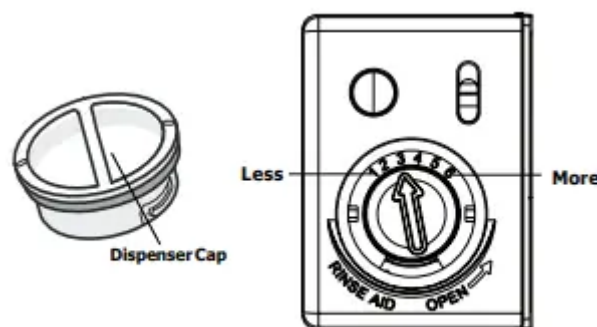
Dishwasher Dispenser and Detergents

Filling the rinse aid dispenser

- Rinse aid greatly improves drying and reduces water spots and filming. Rinse agent removes spots and prevents new film build up on your dishes, glasses, flatware, cookware and plastic. Without rinse aid your dishes and dishwasher interior will have excessive moisture. The Heated Dry option will not perform as well without rinse aid. The rinse aid dispenser, located next to the automatically Detergent cup, releases a measured amount of rinse aid during the last rinse.
- If spotting and poor drying is a problem, increase the amount of rinse aid dispensed by rotating the dial to a higher number. The dial is located under the dispenser cap.
- If the rinse aid is low, the Rinse Aid light is illuminated at the beginning and end of the cycle indicating that it is time to refill.
- Your dishwasher is designed to use liquid rinse aid. The use of rinse greatly improves drying performance after the final rinse. Do not use a solid or bar-type rinse aid. Under normal conditions, the rinse aid will last approximately one month, try to keep it full, but do not over fill.

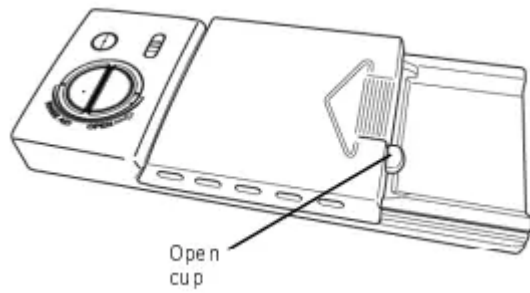
Filling the dispenser

1. Try to keep it full, but do not over fill.
2. Turn the dispenser cap to the left and lift it out.
3. Add rinse agent until the indicator window looks full.
4. Clean up any spilled rinse agent with a damp cloth.
5. Replace the dispenser cap.

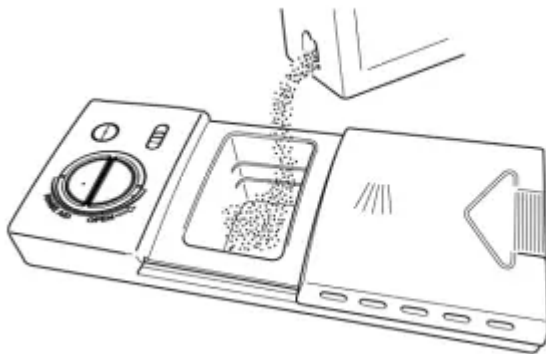


Filling the detergent dispenser

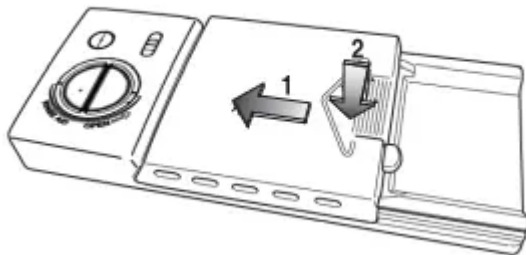
1. Push the dispenser cover latch downwards and open it .



2. Add the detergent to the main wash compartment.



3. After pouring the detergent into the container, close the lid, first pushing (1) and then pressing on it (2) until hear the click.



CARE AND CLEANING

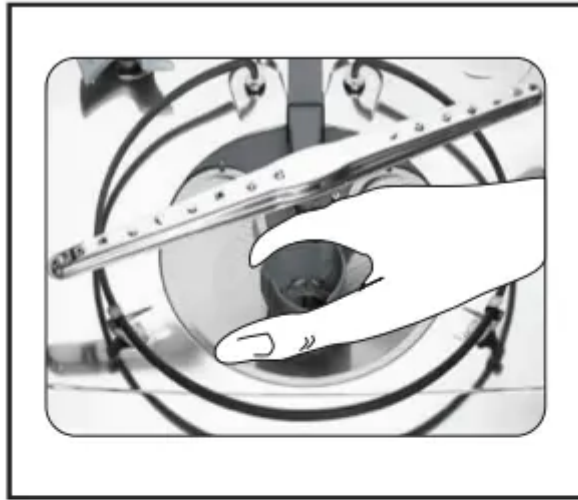
Clean the Stainless Steel Inner Door and Tub

- The tub is made of Stainless Steel, it will not rust or corrode if the dishwasher should be scratched or dented.

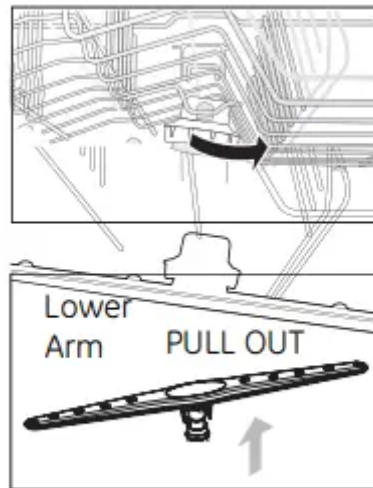
Clean the Cylinder Filter

- The Cylinder Filter is designed to collect some big items such as broken glass, bones and pits. The Cylinder Filter needs to be cleaned to maximize wash performance.

- Remove the lower rack, rotate the Cylinder Filter as shown, lift it out, empty and clean it by rinsing it under running water and replace.



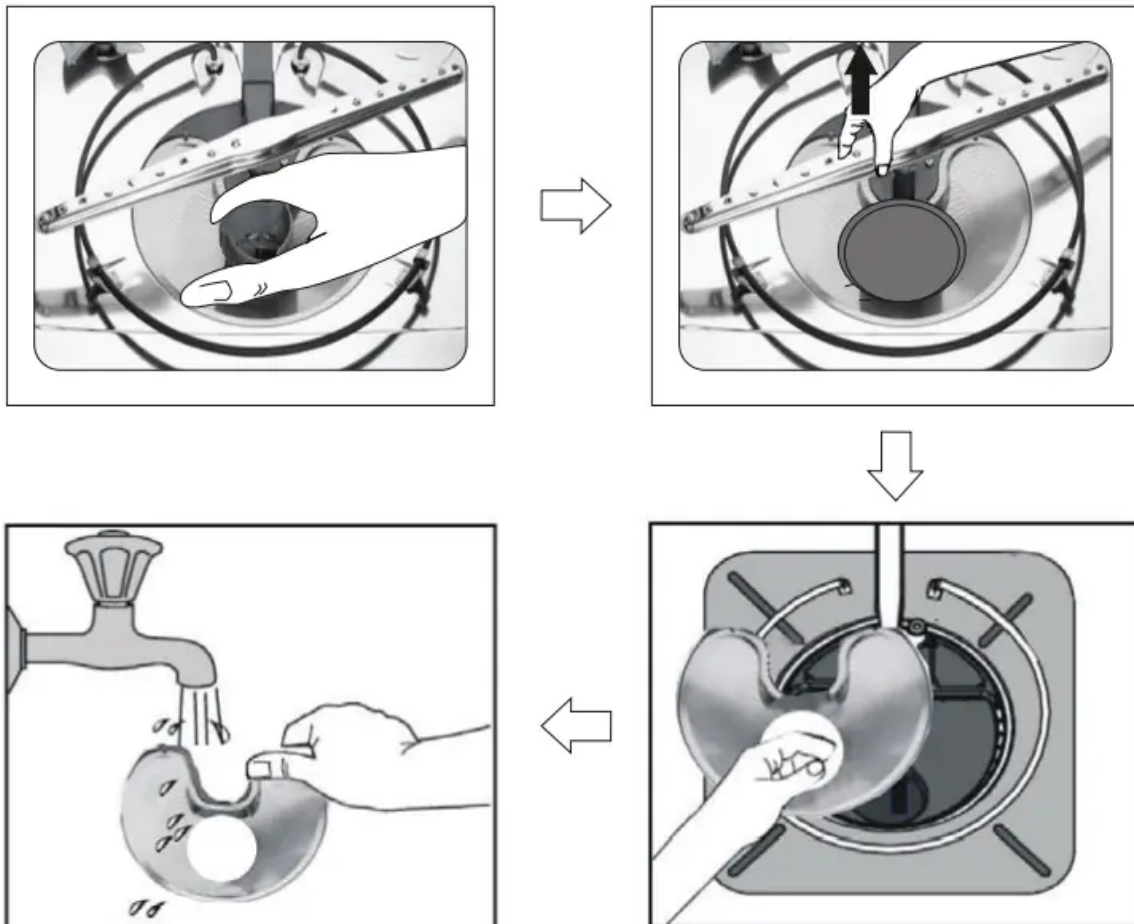
- Because hard water chemicals will clog the spray arm jets and bearings, it is necessary to clean the spray arms regularly. Wash the arms in soapy, warm water and use a soft brush to clean the jets. Replace them after rinsing thoroughly.
- To remove the upper or middle spray arm, unscrew the nut clockwise.
- To remove the lower spray arm, pull upward.



Clean the spots on the steel inner door and tub with a damp nonabrasive cloth.

Clean the Fine Filter

- Take out the Cylinder Filter and remove the Fine Filter from the dishwasher tub bottom. To remove the Fine Filter you must first remove the bottom spray arm as shown below.
- Flush the Fine Filter by holding it under running water and replace.



Troubleshooting

SOLUTIONS TO COMMON DISHWASHING PROBLEMS



Problem	Possible cause	Solution
Dishwasher won't start	Door may not be closed properly	Shut the door completely make sure it is latched
	Power supply or power line is not connected	Check and connect the power supply
	Delay Start option has been selected	Refer to Delay Start section in this manual to rese
	Child Lock activate (selected models)	Deactivate the child lock refer to child lock section in this manual
Dishwasher beeps at the end of the cycle	It indicates the wash cycle finished, the dishwasher will beep	
Rinse Aid light on	The rinse aid level is low	Add rinse aid
Dishwasher operates too long	The dishwasher is connected to cold water	Check the dishwasher, make sure it connected to the hot water supply
	The cycle time will vary due to the soil	When heavy soil is detected, the normal cycle will automatically increase the cycle time
	The sanitize option is selected	When sanitize option is selected, the

		cycle time will be increase to meet the sanitized temperature request
Dishes are not clean enough	Water pressure is temporarily low	Use you dishwasher when the water pressure is normal
	The inlet water is low	Make sure the dishwasher is connected to the hot water supply Try not use your dishwasher when hot water is bein used elsewhere in the house
	Dishes are loaded too close together	Load the dishes again as the manual introduced
	improper use of detergent	Add detergent depending on the water hardness and the cycle you chose. Use fresh deter ent.
	The selected cycle is not suitable for food soil condition	Choose anther cycle for longer washing time
	Spay arms is blocked by some items	



		Make sure the spray arm is rotating freely
Dishes not drying enough	Rinse Aid dispenser is empty	Fill rinse aid dispenser or increase the amount of rinse aid.
	Improper loading of dishes	Load the dishes again as the manual introduction
	The cycle you chose did not include the drying	Choose the proper cycle with drying
Spots and filming on dishes	Water hardness is too high	For extremely hard water install a water softener
	Improper loading of dishes	Load the dishes again as the manual indicates
	Old or damp powder rinse aid is used	Use fresh rinse aid
	Rinse Aid dispenser empty	Add rinse aid to the dispenser
Etching	Using too much detergent	Use less detergent if you have soft water
	The inlet water temperature exceeds 150°F	Lower the inlet water temperature
Detergent left in dispenser cup	Detergent may be too old	Use fresh detergent



	Spray arm is blocked	Load the dishes, making sure the spray arms are not blocked.
Detergent dispenser will not shut	Improper operation of the detergent cover	Add the detergent and rinse aid as indicated by the manual
Water remains in the dishwasher	Previous cycle has not finished or has been interrupted	Select the proper cycle as indicated by the manual
Dishwasher does not drain properly	Drain is clogged	Check the air gap if you have Make sure the disposer is empty if the dishwasher is connected to the disposer
	Drain hose is kinked	Make sure the drain hose is properly connected to the sink
Suds in the tub	Improper detergent is used	Make sure to use only the automatic dishwasher detergent
Dishwasher leaks	Excessive suds caused by using the improper detergent	Make sure to use only the automatic dishwasher detergent

	Dishwasher is not level	Leveling the dishwasher (see the installation manual)
Black or gray marks on dishes	Aluminum utensils have rubbed against dishes	Chose a higher cycle Make sure the inlet water is no less than 120°F
Stained tub interior	Coffee and tea soil	Using a spot cleaner to remove the soil
	Reddish stain	Some tomato food will cause this, use of the rinse only cycle right after loading this will decrease the staining
Noises	Detergent cup opening? Drain pump sound	This is normal
	A hard object has entered the wash module. When the object is ground up, the sound should stop.	If the noise persists after a complete cycle, call for service
Dishwasher won't fill	Water valve is turn off	Check if the water valve is turn on
	Door latch may not be properly seated	Make sure the door is closed

Error Codes

When some malfunctions come on, the appliance will display error codes to warn you:

Codes	Meanings	Possible Causes
E1	Longer inlet time.	Faucets is not opened, or water intake is restricted, or water pressure is too low.
E4	Overflow.	Some element of dishwasher leaks .

WARNING!

- If overflow occurs, turn off the main water supply before calling a service.
- If there is water in the base pan because of an overflow or small leak, the water should be removed before restarting the dishwasher.

Warning

This content is compiled from multiple sources and is provided for reference purposes only. It may not be complete or fully applicable to all situations. If you are unable to resolve your issue, please contact the product manufacturer or an authorized service provider for official support.

