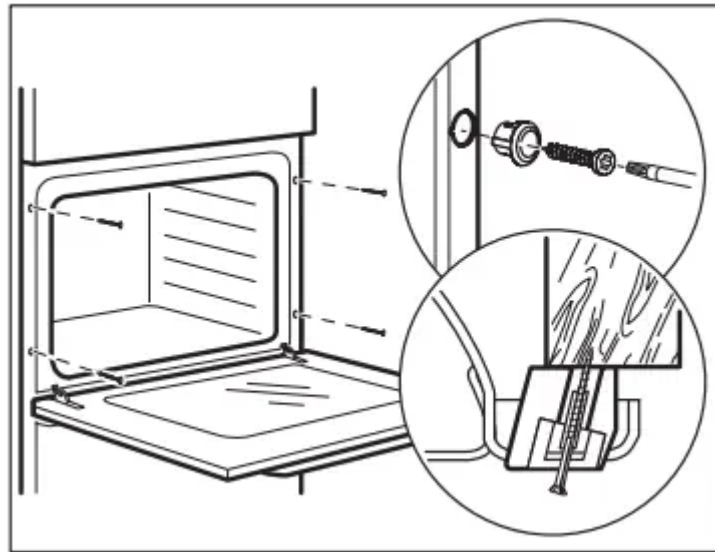
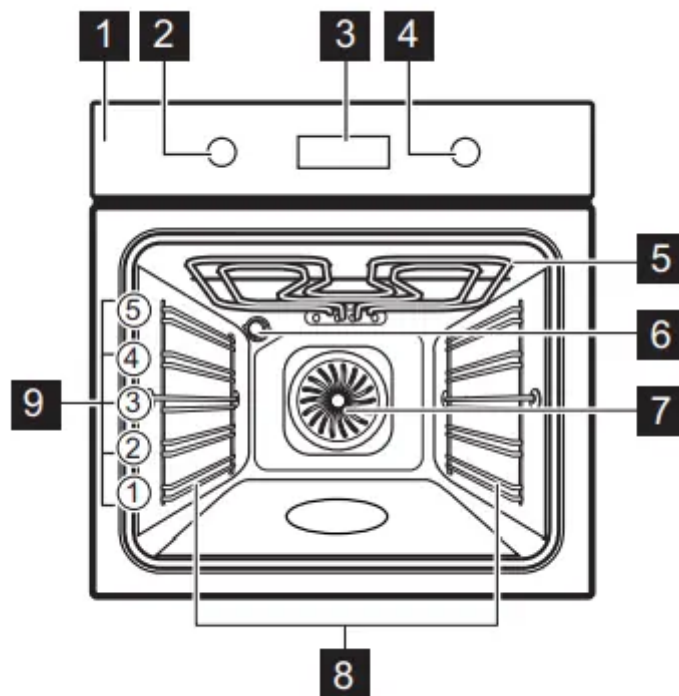


SECURING THE OVEN TO THE CABINET



PRODUCT DESCRIPTION

GENERAL OVERVIEW



- 1 Control panel
- 2 Knob for the heating functions
- 3 Display
- 4 Control knob (for the temperature)
- 5 Heating element

- 6 Lamp
- 7 Fan
- 8 Shelf support, removable
- 9 Shelf positions

ACCESSORIES

- Wire shelf

For cookware, cake tins, roasts.




- Grill- / Roasting pan

To bake and roast or as pan to collect fat.

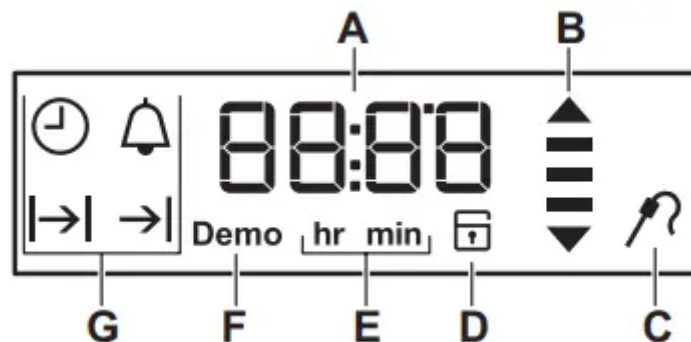
- Trivet

CONTROL PANEL

BUTTONS

Sensor field / Button	Description
	To set the MINUTE MINDER. Hold it for more than 3 seconds to turn on or turn off the oven lamp.
	To set a clock function.
	To check the oven temperature or the temperature of the core temperature sensor (if applicable). Use only while a heating function operates.

DISPLAY



- A. Timer / Temperature
- B. Heat-up and residual heat indicator
- C. Food Sensor (selected models only)
- D. Door lock (selected models only)
- E. Hours / minutes
- F. Demo Mode
- G. Clock functions

DAILY USE

0 Off position

The oven is off.



True Fan Cooking

To bake on up to three shelf positions at the same time and to dry food. Set the temperature 20 - 40 °C lower than for Conventional Cooking.



Conventional Cooking

To bake and roast food on one shelf position.



Moist Fan Baking

This function is designed to save energy during cooking. When you use this function, the temperature in the cavity may differ from the set temperature. The residual heat is used. The heating power may be reduced. For more information refer to "Daily Use" chapter, Notes on: Moist Fan Baking



Fast Grilling

To grill thin pieces of food in large quantities and to toast bread.



Turbo Grilling

To roast large meat joints or poultry with bones on one shelf position. To make gratins and to brown.



Pizza Function

To bake pizza. To make intensive browning and a crispy bottom.



Meat

To prepare very tender and juicy roasts.



Keep Warm

To keep food warm



Defrost

To defrost food (vegetables and fruit). The defrosting time depends on the amount and size of the frozen food.



Pyrolysis

To turn on the pyrolytic cleaning of the oven. This function burns off residual dirt in the oven.

NOTES ON: MOIST FAN BAKING

This function was used to comply with the energy efficiency class and ecodesign requirements according to EU 65/2014 and EU 66/2014. Tests according to EN 60350-1.

The oven door should be closed during cooking so that the function is not interrupted and the oven operates with the highest energy efficiency possible.

When you use this function the lamp automatically turns off after 30 sec.




For the cooking instructions refer to "Hints and tips" chapter, Moist Fan Baking. For general energy saving recommendations refer to "Energy Efficiency" chapter, Energy Saving.

HOW TO SET: HEATING FUNCTION


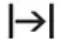
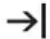
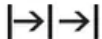

Step 1	Turn the knob for the heating func
Step 2	Turn the control knob to select the temperature. The lamp turns on when the oven operates
Step 3	Turn the knob for the heating functions to the off position to turn off the oven.

HEAT-UP INDICATOR

When the oven function operates, the bars in the display  appear one by one when the temperature in the oven increases, and disappear when it decreases.

CLOCK FUNCTIONS

CLOCK FUNCTIONS TABLE

Clock function	Application
 Time of Day	To show or change the time of day. You can change the time of day only when the oven is off.
 Duration	To set the length of cooking. Use only when a heating function is set.
 End Time	To set the oven turn-off time. Use only when a heating function is set.
 Time Delay	Combination of functions: Duration, End Time.
 Minute Minder	To set a countdown time. This function has no effect on the operation of the oven. Minute Minder - can be set at any time, also if the oven is off.

HOW TO SET: TIME OF DAY

After the first connection to the mains, wait until the display shows: hr, 12:00. 12 - flashes.

Step 1	Turn the knob for the temperature to set the hour.
Step 2	⌚ - press to confirm. The display shows the set hour and: min. 00 - flashes.
Step 3	Turn the knob for the temperature to set the minutes.
Step 4	⌚ - press to confirm. The display shows the set time.
⌚ - press repeatedly to change the time of day. ⌚ - flashes in the display.	

HOW TO SET FUNCTION: DURATION

Step 1	Set a heating function.
Step 2	⌚ - press repeatedly. → - starts to flash.
Step 3	Turn the control knob to set the minutes. ⌚ - press to confirm.
Step 4	Turn the knob for the temperature to set the hour. ⌚ - press to confirm. When the set time ends the signal sounds for 2 min. Time setting flashes in the display. The oven turns off automatically.
Step 5	Press any button to stop the signal.
Step 6	Turn the knob for the heating functions to the off position.

HOW TO SET FUNCTION: END TIME

Step 1	Set a heating function.
Step 2	⌚ - press repeatedly. → - starts to flash.
Step 3	Turn the knob for the temperature to set the hour. ⌚ - press to confirm.
Step 4	Turn the knob for the temperature to set the minutes. ⌚ - press to confirm. At the set end time the signal sounds for 2 min. The time setting flashes in the display. The oven turns off automatically.
Step 5	Press any button to stop the signal.
Step 6	Turn the knob for the heating functions to the off position.

HOW TO SET FUNCTION: TIME DELAY

Step 1	Set a heating function.
Step 2	- press repeatedly. - starts to flash.
Step 3	Turn the knob for the temperature to set the minutes for the function: Duration. Press: .
Step 4	Turn the knob for the temperature to set the hour for the function: Duration. Press: The display shows: .
Step 5	Turn the knob for the temperature to set the hour for the function: End Time. Press: .
Step 6	Turn the knob for the temperature to set the minutes for the function: End Time. Press: .

The display shows: the set temperature, . Oven turns on automatically later on, works for the set Duration time and stops at the set End Time. At the set End Time the signal sounds for 2 min. The time setting flashes in the display. The oven turns off

Step 7	Press any button to stop the signal.
Step 8	Turn the knob for the heating functions to the off position.

HOW TO SET FUNCTION: MINUTE MINDER

Minute minder can be both set when the oven is turned on and off.

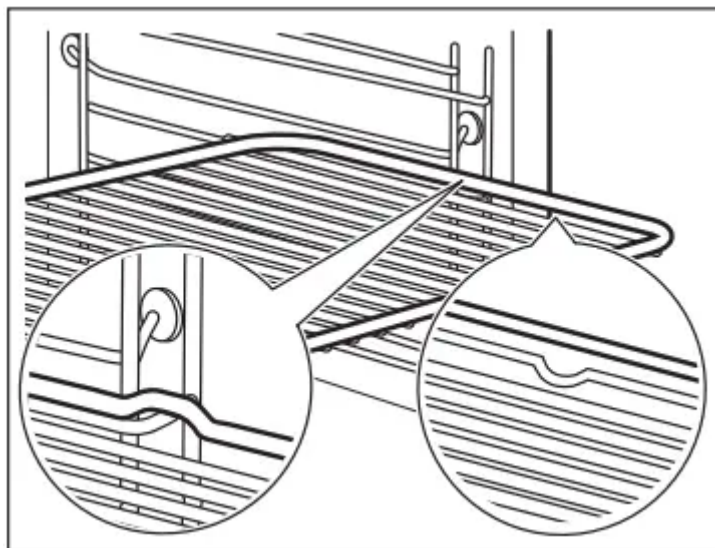
Step 1	3s - press repeatedly. 00 - flash.
Step 2	Turn the knob for the temperature to set the seconds and then the minutes. When the time you set is longer than 60 min, hr flashes.
Step 3	Set the hours. Minute Minder - starts automatically after 5 sec. After 90% of the set time the signal sounds.
Step 4	When the set time ends the signal sounds for 2 min. 00:00 , - flash. Press any button to stop the signal.

INSERTING ACCESSORIES

A small indentation at the top increases safety. The indentations are also anti-tip devices. The high rim

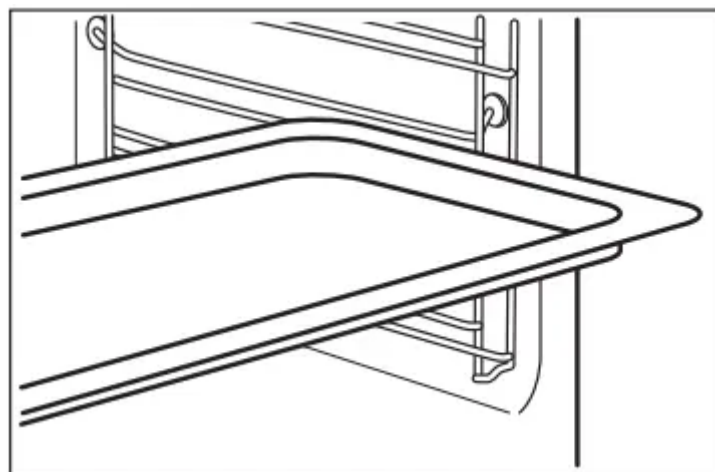
Wire shelf:

Push the shelf between the guide bars of the shelf support and make sure that the feet point down.



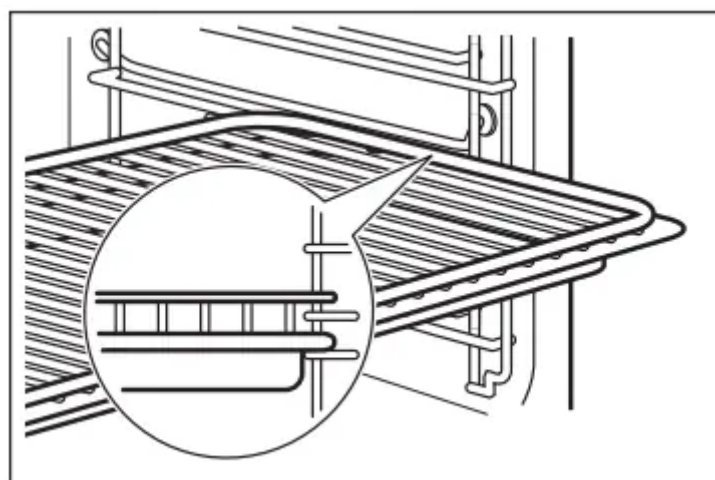
Deep pan:

Push the deep pan between the guide bars of the shelf support.



Wire shelf and deep pan together:

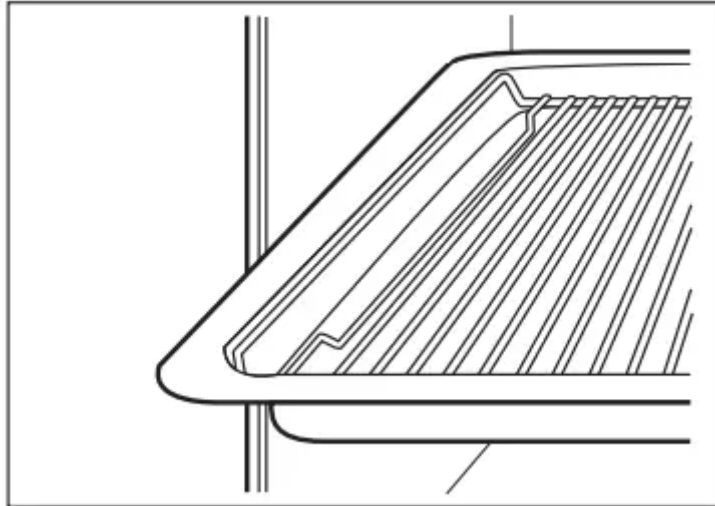
Push the deep pan between the guide bars of the shelf support and the wire shelf on the guide bars above.



TRIVET AND GRILL- / ROASTING PAN

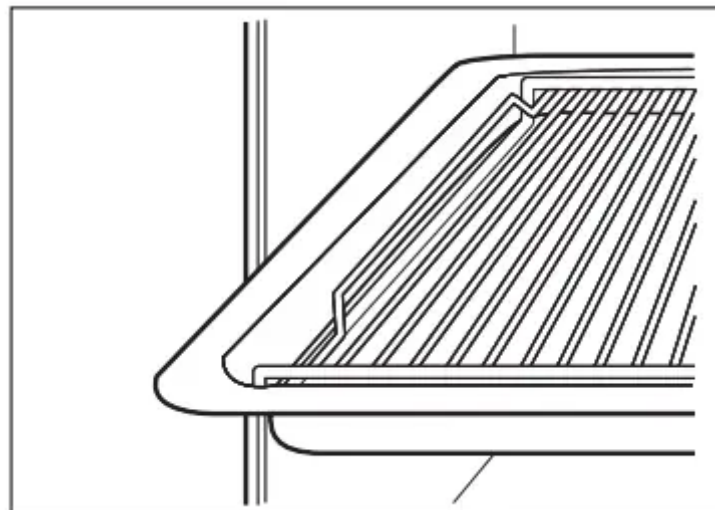
You can use the trivet to roast larger pieces of meat or poultry on one shelf position.

- **Step 1** Put the trivet into a deep pan. Make sure the supports of the wire shelf point up.
- **Step 2** Put the deep pan on the recommended shelf position.



You can use the trivet to grill thin pieces of food in large quantities and to toast them.

- **Step 1** Put the trivet into a deep pan. Make sure the supports of the wire shelf point up.
- **Step 2** Put the deep pan on the recommended shelf position.






ADDITIONAL FUNCTIONS



USING CHILD LOCK

When the Child lock is on the oven cannot be turned on accidentally.

1. Ensure the knob for the heating functions is in the off position.

2.  ,  - press and hold at the same time for 2 seconds.

The signal sounds. SAFE ,  - appear on the display. The door is locked.

  -the symbol appear on the display also when Pyrolysis function operates. To turn off the Child Lock, repeat the step 2.


USING FUNCTION LOCK

You can turn on the Function Lock function only when the oven works. When the Function lock is on the temperature and time settings cannot be changed accidentally.

1. Select an oven function and set it according your preferences.



2. Press and hold  and  at the same time for 2 seconds.

The signal sounds. Loc appears on the display for 5 seconds.

 **Loc** appears on the display when you turn the knob for the temperature or press any button when the Function lock is on.


When you turn the knob for the oven functions, the oven stops.

When you turn off the oven while the Function Lock is on, the Function Lock switches automatically to the Child Lock. Refer to "Additional functions" chapter, Using the Child Lock.

 If the Pyrolysis function operates, the door is locked and  appears on the display.





To turn off the Function Lock, repeat step 2.

RESIDUAL HEAT INDICATOR

When you turn off the oven, the display shows the residual heat indicator  if the temperature in the oven is more than 40 °C. Turn the knob for the temperature left or right to check the oven temperature.

AUTOMATIC SWITCH-OFF

For safety reasons the oven turns off after some time, if a heating function works and you do not change any settings.

 (°C)	 (h)
30 - 115	12.5
 (°C)	 (h)
120 - 195	8.5
200 - 245	5.5
250 - maximum	3

The Automatic switch-off does not work with the functions: Light, Duration, End Time.

COOLING FAN

When the oven operates, the cooling fan turns on automatically to keep the surfaces of the oven cool. If you turn off the oven, the cooling fan can continue to operate until the oven cools down.

SAFETY THERMOSTAT

Incorrect operation of the oven or defective components can cause dangerous overheating. To prevent this, the oven has a safety thermostat which interrupts the power supply. The oven turns on again automatically when the temperature drops.

HINTS AND TIPS

COOKING RECOMMENDATIONS

The oven has five shelf positions.

Count the shelf positions from the bottom of the oven floor.

Your oven may bake or roast differently to the oven you had before. The below tables provide you with the standard settings for temperature, cooking time and shelf position.

If you cannot find the settings for a special recipe, look for the similar one.

The oven has a special system which circulates the air and constantly recycles the steam. With this system you can cook in a steamy environment and keep the food soft inside and crusty outside. It decreases the cooking time and energy consumption.

Baking cakes

Do not open the oven door before 3/4 of the set cooking time is up.

If you use two baking trays at the same time, keep one empty level between them.

Cooking meat and fish

Use a deep pan for very fatty food to prevent the oven from stains that can be permanent.

Leave the meat for approximately 15 minutes before carving so that the juice does not seep out.

To prevent too much smoke in the oven during roasting, add some water into the deep pan.

To prevent the smoke condensation, add water each time after it dries up.

Cooking times

Cooking times depend on the type of food, its consistency, and volume.

Initially, monitor the performance when you cook. Find the best settings (heat setting, cooking time, etc.) for your cookware, recipes and quantities when you use this appliance.

CARE AND CLEANING

WARNING!

Refer to Safety chapters

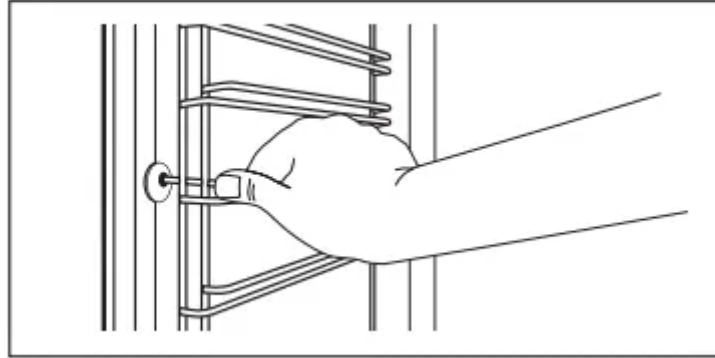
NOTES ON CLEANING

Clean the front of the oven with a soft cloth with warm water and a mild detergent.
Use a cleaning solution to clean metal surfaces.
Clean stains with a mild detergent.
Clean the cavity after each use. Fat accumulation or other residue may cause fire.
Moisture can condense in the oven or on the door glass panels. To decrease the condensation, let the oven work for 10 minutes before cooking. Dry the cavity with a soft cloth after each use.
Clean all accessories after each use and let them dry. Use a soft cloth with warm water and a mild detergent. Do not clean the accessories in a dishwasher.
Do not clean the non-stick accessories using abrasive cleaner or sharp-edged objects.

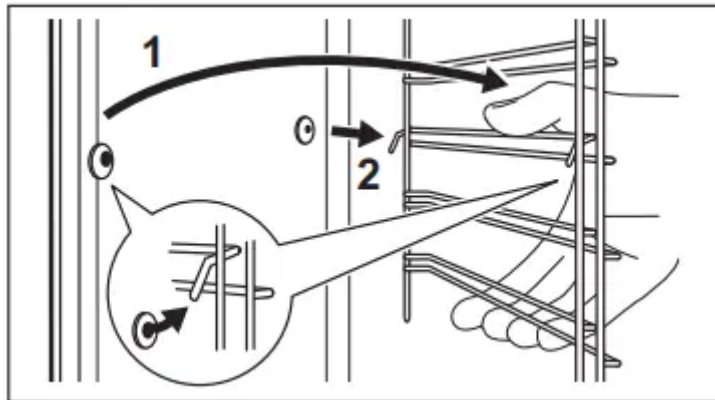
HOW TO REMOVE: SHELF SUPPORTS

Remove the shelf supports to clean the oven.

- **Step 1** Turn off the oven and wait until it is cold.
- **Step 2** Pull the front of the shelf support away from the side wall.



- **Step 3** Pull the rear end of the shelf support away from the side wall and remove it.
- **Step 4** Install the shelf supports in the opposite sequence.



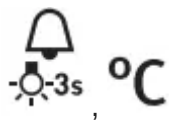
HOW TO USE: PYROLYTIC CLEANING

Clean the oven with pyrolytic cleaning.

CLEANING REMINDER

The oven reminds you when to clean the oven with: pyrolytic cleaning.

PYR - flashes in the display for 10 sec after each activation and deactivation of the oven.



- press at the same time to turn off the reminder.

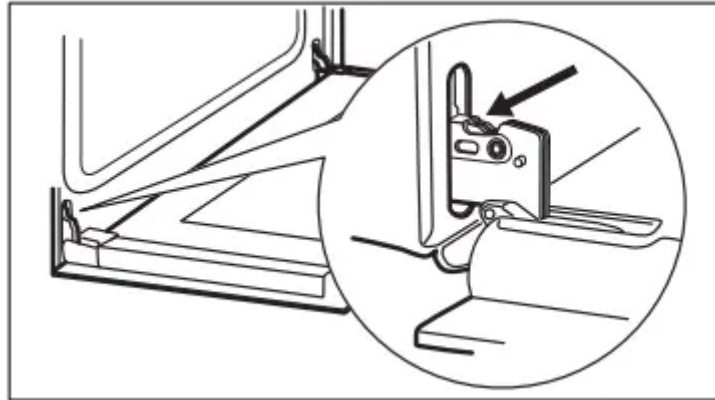
REMOVING AND INSTALLING DOOR

The oven door has three glass panels. You can remove the oven door and the internal glass panels to clean them. Read the whole "Removing and installing door" instruction before you remove the glass panels.

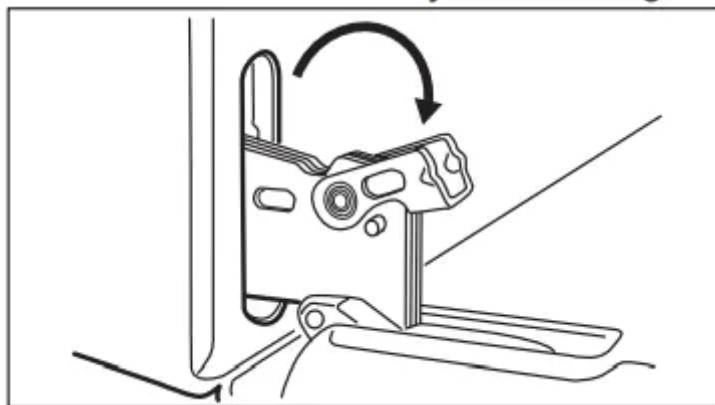


The oven door may close if you try to remove the glass panels before you remove the oven door.

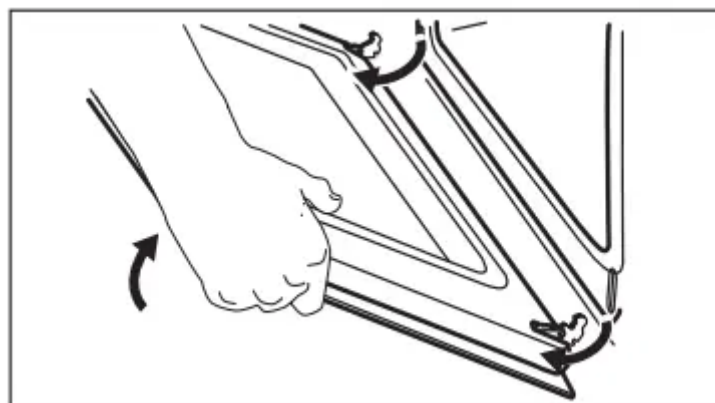
1. Open the door fully and hold both hinges.



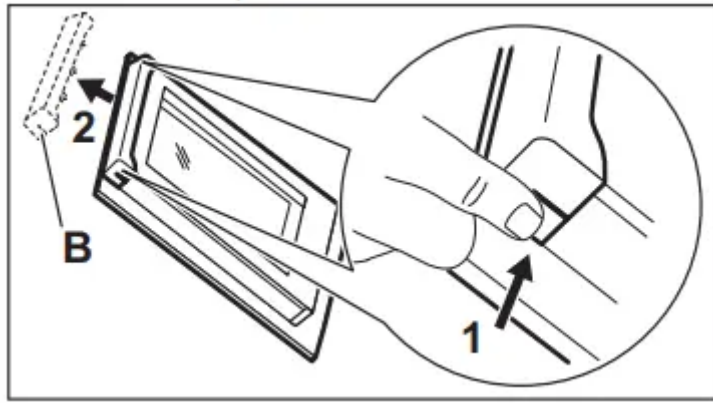
2. Lift and turn the levers fully on both hinges.



3. Close the oven door halfway to the first opening position. Then lift and pull forward and remove the door from its seat.

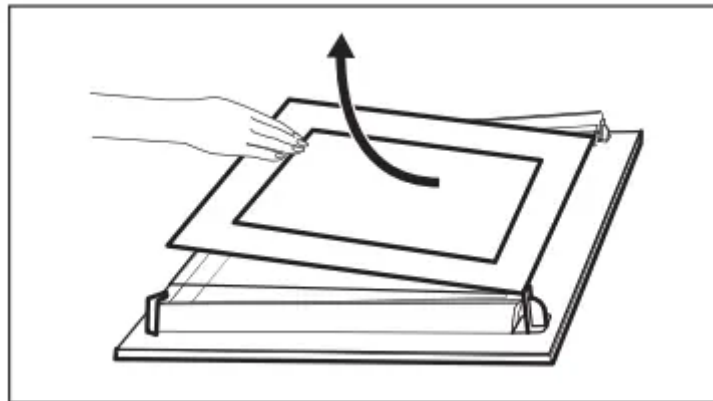


4. Put the door on a soft cloth on a stable surface.
5. Hold the door trim (B) on the top edge of the door at the two sides and push inwards to release the clip seal.



6. Pull the door trim to the front to remove it.

7. Hold the door glass panels by their top edge and carefully pull them out one by one. Start from the top panel. Make sure the glass slides out of the supports completely.

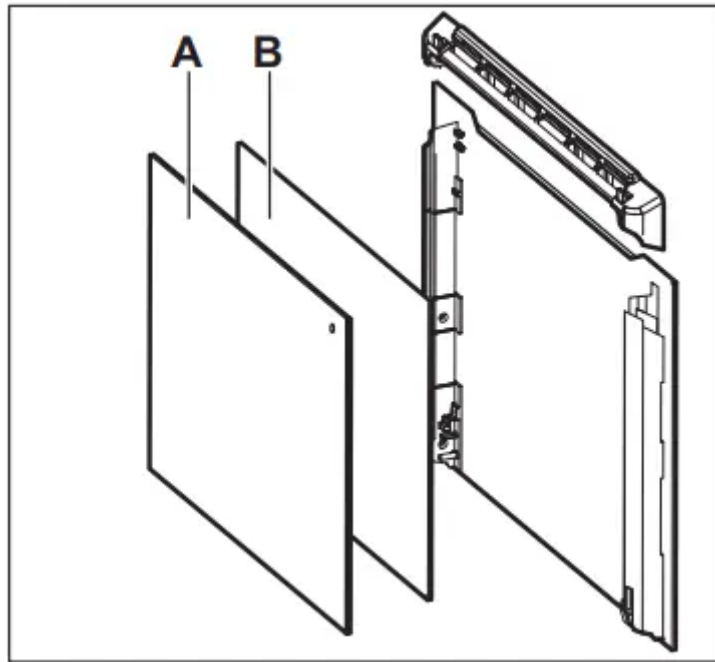


8. Clean the glass panels with water and soap. Dry the glass panels carefully. Do not clean the glass panels in the dishwasher

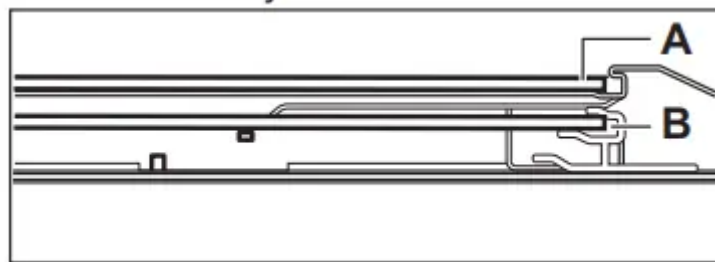
When the cleaning is completed, install the glass panels and the oven door.

Make sure that you put the glass panels (A and B) back in the correct sequence. Check for the symbol / printing on the side of the glass panel, each of the glass panels looks different to make the disassembly and assembly easier.

When installed correctly the door trim clicks.



Make sure that you install the middle panel of glass in the seats correctly



TROUBLESHOOTING

WHAT TO DO IF...

The oven does not turn on or does not heat up

Possible cause	Remedy
The oven is not connected to an electrical supply or it is connected incorrectly.	Check if the oven is correctly connected to the electrical supply (refer to the connection diagram if available).
The oven is deactivated.	Activate the oven
The clock is not set.	Set the clock.
The necessary settings are not set.	Make sure that the settings are correct.
The automatic switch-off is activated.	Refer to "Automatic switch-off".
The door is not closed correctly.	Fully close the door
The fuse is blown.	Make sure that the fuse is the cause of the malfunction. If the fuse is blown again and again, contact a qualified electrician.
The oven Child Lock is on.	Refer to "Using the Child Lock".

Problems with components

Description	Possible cause	Remedy
The lamp does not operate.	The lamp is defective.	Replace the lamp





Replace the lamp

Description	Possible cause	Remedy
The display shows "C3"	The cleaning function does not operate. You did not fully close the door, or the door lock is defective.	Fully close the door
The display shows "F102".	<ul style="list-style-type: none"> • You did not fully close the door. • The door lock is defective. 	<ul style="list-style-type: none"> • Fully close the door. • Deactivate the oven with the house fuse or the safety switch in the fuse box and activate it again. • If the display shows "F102" again, contact the Customer Care Department.
The display shows an error code that is not in this table.	There is an electrical fault.	<ul style="list-style-type: none"> • Deactivate the oven with the house fuse or the safety switch in the fuse box and activate it again. • If the display shows the error code again, contact the Customer Care Department.
The display shows "12.00".	There was a power cut.	Set the clock.

Problems with cleaning procedure

Description	Possible cause	Remedy
Steam and condensation settle on the food and in the cavity of the oven.	You left the dish in the oven for too long.	Do not leave the dishes in the oven for longer than 15 - 20 minutes after the cooking process ends.

Other problems

Description	Possible cause	Remedy
<p>The appliance is activated and does not heat up. The fan does not operate. The display shows "Demo".</p>	<p>The demo mode is activated.</p>	<ol style="list-style-type: none"> 1. Deactivate the oven. 2. Press and hold at the same time   3s  °C. 3. The first digit on the display and Demo indicator start to blink. 4. Enter the code 2468 by turning the knob for the temperature right or left to change the values and press  to confirm. 5. The next digit starts to blink. 6. Demo mode deactivates when you confirm the last digit and the code is correct.

SERVICE DATA

If you cannot find a solution to the problem yourself, contact your dealer or an Authorised Service Centre.

The necessary data for the service centre is on the rating plate. The rating plate is on the front frame of the oven cavity. Do not remove the rating plate from the oven cavity.

Warning

This content is compiled from multiple sources and is provided for reference purposes only. It may not be complete or fully applicable to all situations. If you are unable to resolve your issue, please contact the product manufacturer or an authorized service provider for official support.