

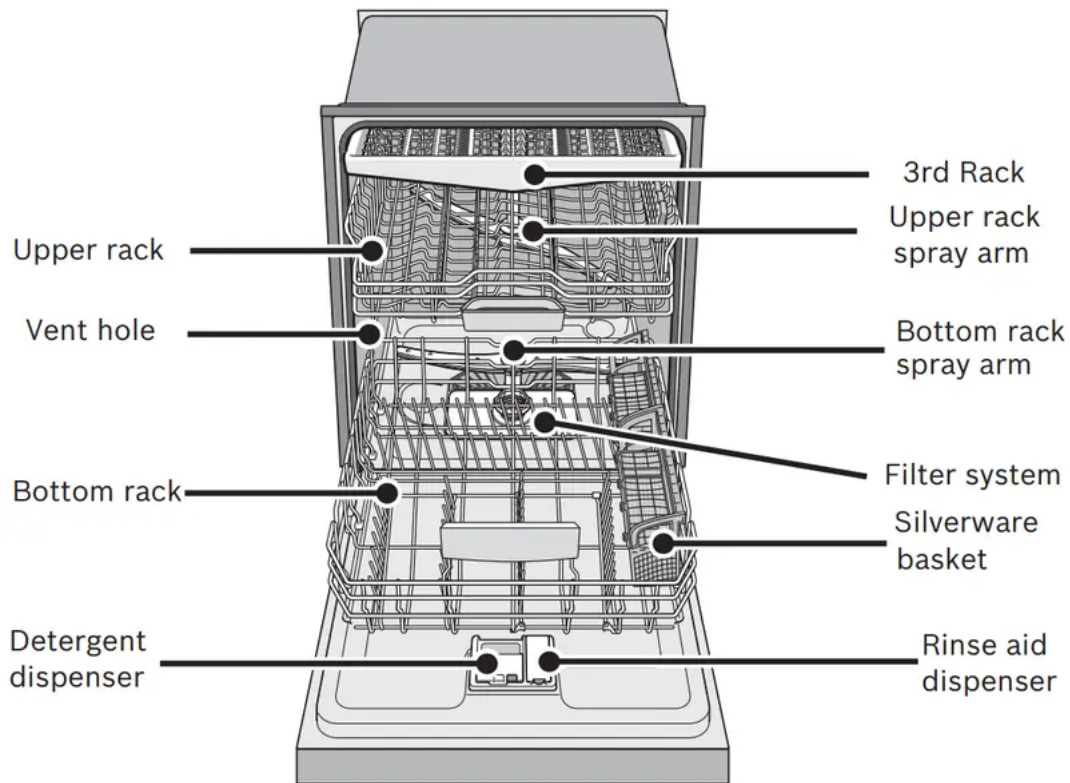
Operating instruction Dishwasher

Dishwasher Components

	Wash Cycles					
Model	Heavy	Auto	Eco	Normal	Express	Rinse
SHE65T5xUC*						
SHX65T5xUC*						
SHP65T5xUC*	●	●		●	●	●
SHP65T7xUC*						
SHP65TLxUC*						
<hr/>						
SHE68T5xUC*						
SHE68TLxUC*						
SHX68T5xUC*						
SHX68TLxUC*	●	●	●	●	●	●
SHV68T53UC						
SHV68TL3UC						
SHP68TLxUC*						
SHP68T5xUC*						

Model	Wash Cycle Options					Additional Features			
	Delay	Speed Perfect™	Half Load	Delicate	Sanitize	Extra Shine®	3rd Rack	Info-Light®	Silverware Basket
SHE65T5xUC*									Long
SHP65T7xUC*	●		●	●	●	●	●		
SHE68T5xUC*									
SHX65T5xUC*									Long
SHP65T5xUC*									
SHX68T5xUC*	●		●	●	●	●	●	●	
SHV68T53UC									
SHP68T5xUC*									
SHP65TLxUC*	●	●		●	●	●	●	●	Duo-Flex
SHE68TLxUC*	●	●	●	●	●	●	●		Duo-Flex
SHX68TLxUC*									Duo-Flex
SHV68TL3UC	●	●	●	●	●	●	●	●	
SHP68TLxUC*									

* "x" can be any number or letter



Dishware Materials

Note: Before using your dishwasher for the first time, check the information in this section. Some items are not dishwasher safe and should be hand washed; others require special loading.

Recommended

- Aluminum: Colored anodized aluminum may fade over time. Minerals in your water may cause the aluminum to darken or spot. This can usually be removed with a soap-filled steel wool pad.
- China, Crystal, Stoneware: Some hand-painted utensils may discolor, fade or spot. Hand wash these utensils. Position fragile glassware so that it will not topple over or come in contact with other utensils during the wash cycle.
- Glass: Milk glass may discolor or become yellow.
- Non-stick Coatings: Apply a light coating of vegetable oil to non-stick surfaces after drying.
- Plastics: Make sure the plasticware is dishwasher safe.
- Stainless Steel, Sterling Silver and Silver Plates: Load these so they do not come in contact with other metals.

Not Recommended

- Acrylic: crazing or small cracks throughout the acrylic, may occur.

- Adhesive-Joined Pieces: Adhesives that join materials such as plastic, wood, bone, steel copper, tin, etc. may loosen.
- Bone-Handled Utensils: Handles may separate.
- Iron: Iron will rust. Hand wash and dry immediately.
- Non-Dishware Items: Your dishwasher is intended for use in cleaning ONLY standard household dishware and kitchenware.
- Pewter, Brass, Bronze: These items will tarnish. Hand wash and dry immediately.
- Tin: Tin will stain. Hand wash and dry immediately.
- Wood: Wooden bowls, wooden utensils and utensils with wooden handles can crack, warp and lose their finish.

Loading the Dishwasher

Do not pre-wash items with loosely attached food soil. Remove all food particles, bones, toothpicks and excessive grease. Items having burned-on, baked-on or starchy soils may require some pre-treatment. Refer to the Dishware Materials section for more information about dishware suitability. Load only dishwasher safe items into the dishwasher.

Load dishes in the dishwasher racks so the insides of bowls, pots and pans are facing the spray arms. Avoid nesting and contact points between dishes. Separate items of dissimilar metals.

Loading the Upper Rack

- Ensure items do not protrude through the bottom of the racks and block the spray arms.

Note: When pushing the upper rack into the dishwasher, push it until it stops against the back of the tub so the upper rack spray arm connects to the water supply at the back of the tub. Do not push racks in using the door.

Loading the Bottom Rack

- Place large items in the bottom rack. Load pots, pans and bowls upside down. Do not block vent with tall baking sheets. Load these items on the right side of the dishwasher.

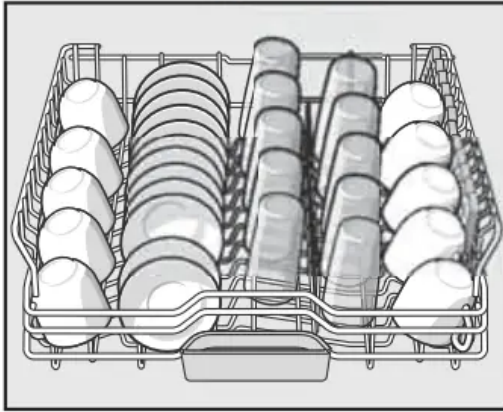
Unloading the Dishwasher

- When unloading the dishwasher, it is recommended to unload the bottom rack first. Next, unload the silverware basket followed by the upper rack, and then the 3rd rack.

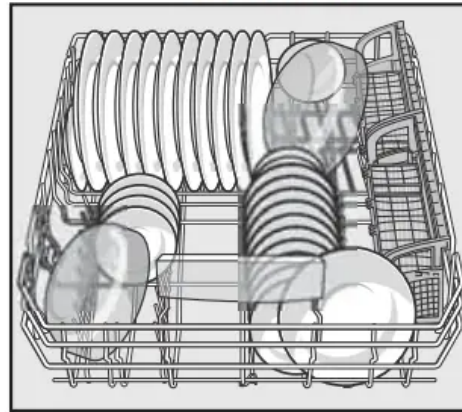
NOTICE: To avoid dishwasher damage, do not load the dishwasher with paper products, plastic bags, packing materials or anything other than normal, dishwasher safe dishware and kitchenware.

Suggested Loading Pattern

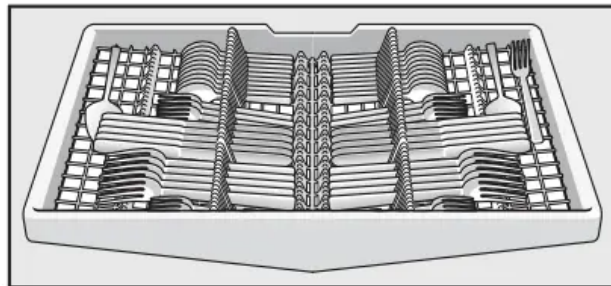
Upper Rack



Bottom Rack

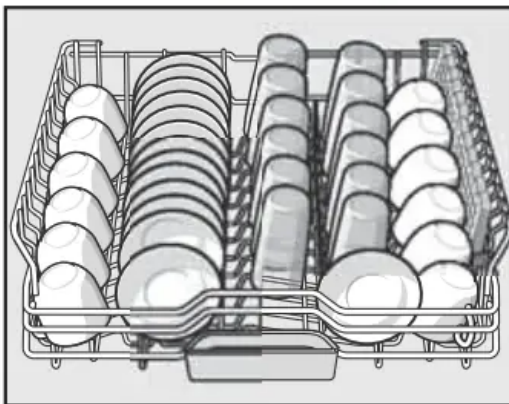


3rd Rack

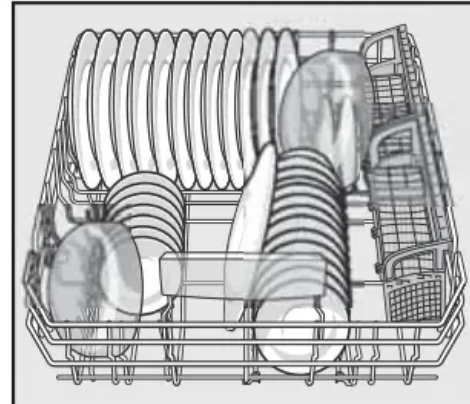


Additional Loading Pattern

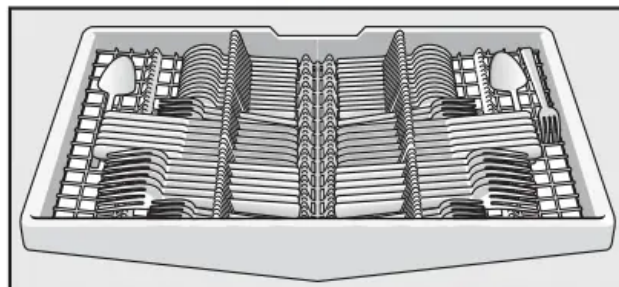
Upper Rack



Bottom Rack



3rd Rack

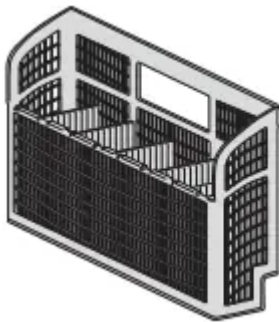


Loading the Silverware Basket

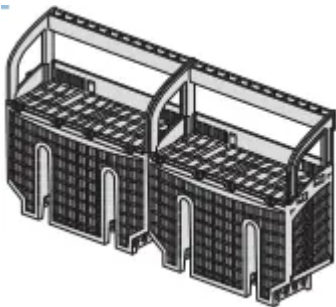
Place knives and sharp utensils with their HANDLES UP and forks and spoons with their handles down. If large or oddly-shaped items are loaded in the silverware basket, be sure they do not nest together

WARNING: The sharp points and edges of knives and other sharp utensils can cause serious injury. Load knives and other sharp utensils with edges down. Do not allow children to handle or play near knives and sharp utensils.

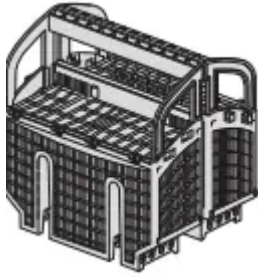
- The Long Silverware Basket: The long silverware basket fits along the side of the lower rack.



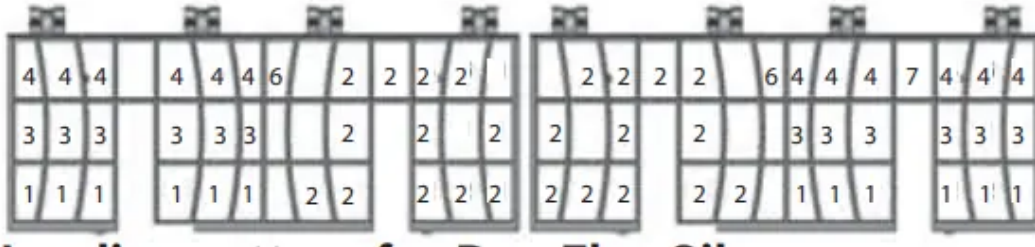
- The Duo-Flex Silverware Basket: This basket splits along its length, resulting in two halves that may be placed in a variety of positions in the lower rack, greatly increasing the lower rack's loading versatility. The basket snaps together either back to back or end to end as shown.



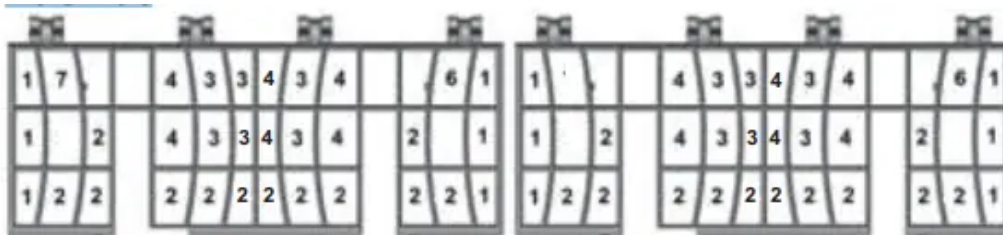
- To split the Duo-Flex Silverware Basket: Grasp the basket and slide the two halves in opposite directions as shown at right and then pull the two halves apart.



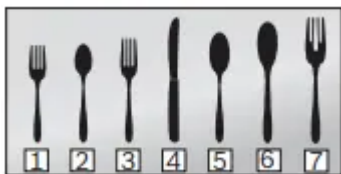
- Loading pattern for Long Silverware Basket



- Loading pattern for Duo-Flex Silverware Basket



The basket lid may also be snapped to the handle in order to leave the basket open.



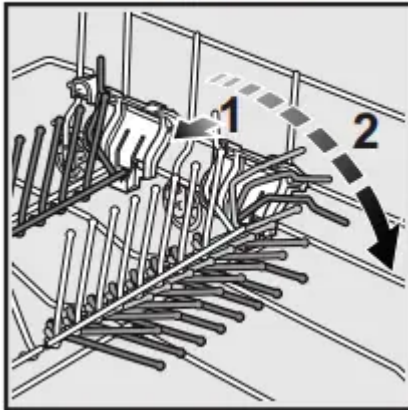
- 1- salad fork
- 2- teaspoon
- 3- dinner fork
- 4- knife
- 5 - tablespoon
- 6 - serving spoon
- 7 - serving fork

Rack Accessories

Flip Tines

- The racks consist of tines that can be folded down depending on what you may need to load in the rack. To fold down, grasp the folding tine and release from notch. Push folding tine downward to desired position as shown in Figure 1

Figure 1

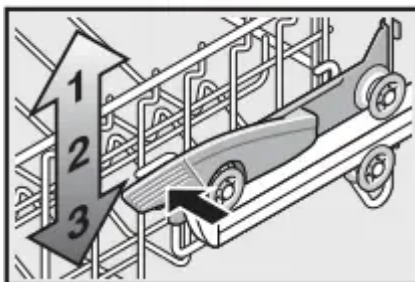


RackMatic®

The height of the upper rack can be adjusted in 3 steps to create more space.

1. Pull the upper rack out of the dishwasher until it stops.
2. To lower the rack, push the lever inward.
3. To raise the rack, hold the basket on the sides of the upper rack and lift up.

Figure 2



3rd Rack

- The 3rd Rack horizontally positions knives, spatulas and other oversized tools for improved cleaning and easier loading and unloading. Arrange cutlery in 3rd Rack as illustrated in Figure 3.

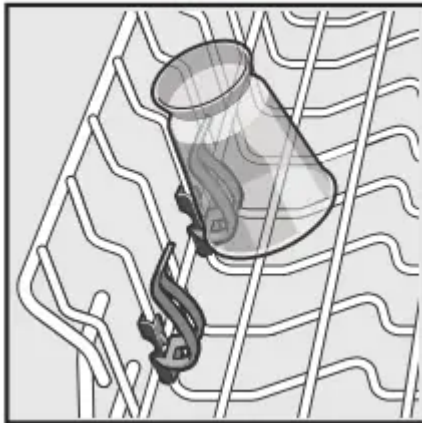
Figure 3



Plastic Item Clips (model dependent)

- Light-weight plastic accessories (cups, lids, etc.) can be held securely by the plastic item clips. See Figure 4.

Figure 4



Vase Holder (model dependent)

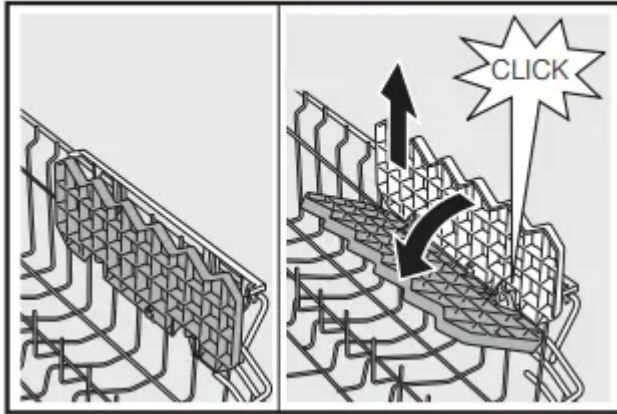
- The vase holder can be placed anywhere in the lower rack to hold and thoroughly clean vases, bottles, and other containers.

Cup Shelves

- The shelf and the space underneath can be used for small cups or for larger serving utensils.



Figure 5

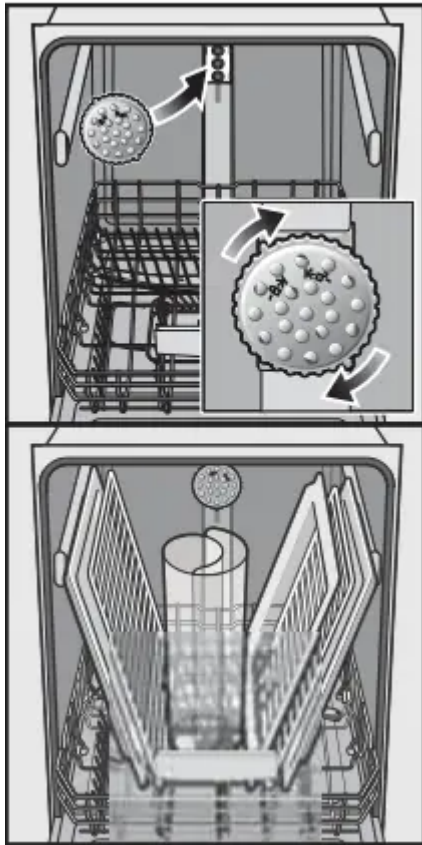


Extra Tall Item Sprinkler Figure 6 (model dependent)

- If an item is too tall to be placed in the bottom rack even with the upper rack in the raised position, remove the empty upper rack by pulling it out of the dishwasher until it stops. Pull the front of the rack upward and outward until the rollers are completely free of the roller guides.
- Set the upper rack aside and push the roller guides back into the dishwasher. Insert the Extra Tall Item Sprinkler into the upper rack spray outlet and turn the sprinkler clockwise to lock into position. See Fig. 6.
- Note: Keep the vent on the tub's left side clear by placing tall items such as plastic cutting boards and tall baking sheets on the bottom rack's right side or center.



Figure 6



NOTICE: To avoid dishwasher damage, do not reinstall the upper rack without removing the Extra Tall Item Sprinkler.

Adding Detergent and Rinse Aid

Detergent

Use only detergent specifically designed for dishwashers. For best results, use fresh powdered dishwashing detergent or detergent tabs.

NOTICE

- To avoid dishwasher damage, do not use hand dishwashing products in your dishwasher.



- To avoid dishwasher damage, do not use too much detergent if your water is soft. Using too much detergent with soft water may cause etching in glassware.

This dishwasher uses less water than most, therefore, less detergent is required. With soft water, 1 tablespoon (15 ml) of detergent will clean most loads. The detergent dispenser cup has lines that

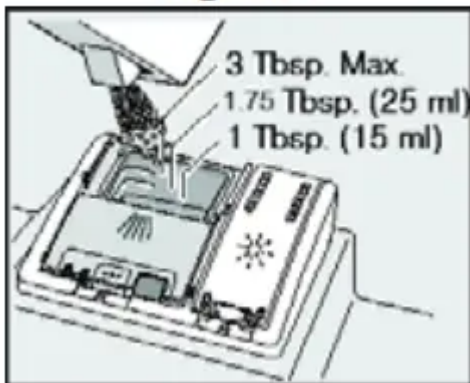
measure detergent to 1 tablespoon (15 ml) and 1.75 tablespoons (25 ml). 3 tablespoons (45 ml) of detergent will completely fill the detergent dispenser.

Note: If you do not know the hardness of your water supply, use 15 ml of detergent. Increase the amount if necessary to the least amount required to get your kitchenware clean.

Use the measuring lines in the detergent dispenser cup as a guide to measure the amount of detergent recommended in Table 1.

Adding Detergent

Figure 7



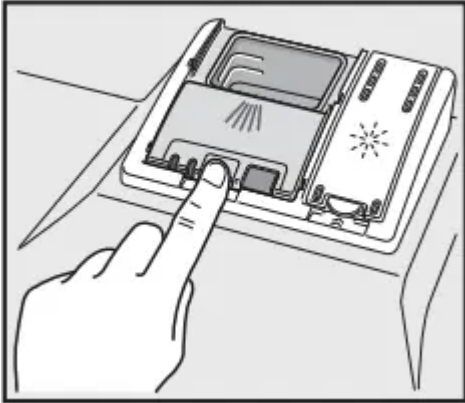
- 1 tablespoon (15 ml) will clean most loads.
- Do not over fill the detergent dispenser.
- When using detergent tabs, lay them such that they do not come in contact with the cover.

Note: Do not place the tabs in the detergent tab tray on the upper rack, only place them in the detergent dispenser on the door. Do not use detergent tabs in the “Express” wash cycle.

To Close

- Place finger as shown in Figure 8.

Figure 8



- Slide door closed and press down firmly until it clicks.

To Open

- Push the button as shown in Figure 9. Cover will slide open

Figure 9

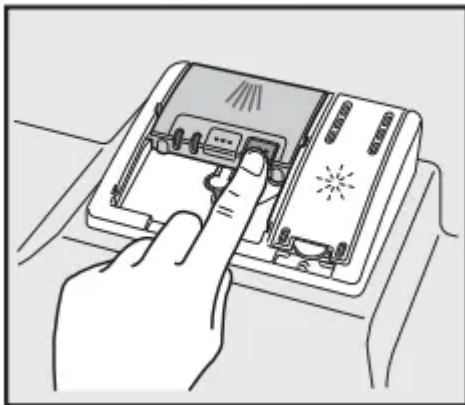


Table 1 - Recommended Detergent Amount

Wash Cycle	Hard Water/ Heavy Soil	Medium Water/ Medium Soil	Soft Water/ Little Soil
Heavy	3 tbsp (45 ml)	3 tbsp (45 ml)	1.75-3 tbsp (25-45 ml)
Auto	1.75-3 tbsp (25-45 ml)	1.75 tbsp (25 ml)	1-1.75 tbsp (15-25 ml)
Eco	1.75 tbsp (25 ml)	1-1.75 tbsp (15-25 ml)	15 ml (1 tbsp)
Normal	1.75-3 tbsp (25-45 ml)	1.75 tbsp (25 ml)	1-1.75 tbsp (15-25 ml)
Express	1.75 tbsp (25 ml)	1-1.75 tbsp (15-25 ml)	1 tbsp (15 ml)
Rinse	none	none	none

Rinse Aid

To achieve proper drying, always use a liquid rinse aid, even if your detergent contains a rinse aid or drying additive.

Note: The dishwasher indicates low rinse aid by turning on the “Add Rinse Aid” indicator light. If this light is on, you need to refill the rinse aid dispenser by following the directions below.

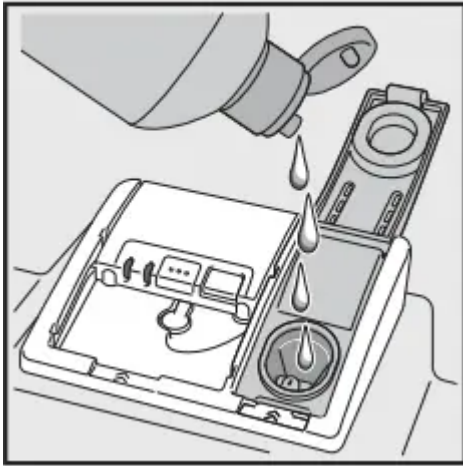
Adding Rinse Aid

NOTICE: To avoid oversudsing or clogging, do not overfill the rinse aid dispenser. Wipe up any spills with a damp cloth

1. Add liquid rinse aid to the dispenser until it is full (see Figure 10). Do not overfill.
2. Close the lid. Lid must be fully closed until it clicks in order to seal.
3. Wipe up any excess rinse aid that may have puddled when the dispenser reservoir is full.

The indicator light will go out a few moments after the dishwasher door is shut. See next page for instruction on how to adjust the amount of rinse aid dispensed.

Figure 10



Setting the amount of rinse aid used

The amount of rinse aid dispensed can be set from “r:00” to “r:06”.

1. Press the [On/Off] button.
2. Hold down the “A” button (see page 16) and press [Start] until the display indicates “d:00”. Release both buttons.
3. Press the “A” button until the display shows “r:05”.
4. Press the “C” button to select the desired setting.
 - “r:00” = dispenser is OFF
 - “r:01” = lowest setting
 - “r:02” = low setting
 - “r:03” = medium setting
 - “r:04” = medium/high setting
 - “r:05” = high setting
 - “r:06” = highest setting
5. Press [Start] to save the setting.

Note: Using rinse aid and setting the dispenser to “r:00” may result in longer cycle times.

Dishwasher Cycles and Options

Wash Cycles

Note: In order to save energy, it is recommended to set the “Auto Power Off” feature to “P:01” (see manual section titled “Auto Power Off”).

- **Heavy:** Best for cleaning items with baked-on food or grease. These dishes would normally require soaking.
- **Auto:** Our smartest cycle, with our most flexible soil sensing capability, this cycle is optimal for use with mixed dishware and food soils.
- **Eco*:** Best for delicate dishes and glasses, the Eco cycle lowers temperature and cycle length to decrease energy usage.
- **Normal:** This is the cycle recommended for daily, regular or typical use to completely wash a full load of normally soiled dishes. In order to obtain optimal performance with minimum energy consumption, it is recommended to disable all available options and settings, except “Auto Power Off” as noted at the start of this section. Note 1: See footnote for additional energy test setup instructions.
- **Express:** Cleans lightly soiled dishes and reduces overall wash time. Use this cycle to clean glasses and dessert dishware that may need to be reused at the same event.
- **Rinse:** Allows you to rinse food soil off of a partial load and hold the dishes in the dishwasher until you are ready to run a full load. Do not use detergent in this cycle.

*model dependent

Wash Cycle Options

- **Delay:** Allows you to delay the start time of your dishwasher up to 24 hours.
- **SpeedPerfect™*:**
 - **SpeedPerfect™** is an option that allows saving time without sacrificing wash and dry performance. Selecting this option ensures the same final temperatures as the underlying cycle, while heating up the dishes quicker. Selecting this option also increases energy consumption while reducing cycle time.
- **Half Load*:** Can reduce water consumption when washing small, lightly soiled loads that fill approximately half of the dishwasher’s capacity.
- **Delicate:** Available only in the Heavy, Auto and Normal cycles. This cycle is best used for lightly soiled items with easy to remove food soils.
- **Sanitize:** Available only in the Heavy, Auto and Normal cycles. The sanitize LED will light when sanitation requirements are met. The technical sanitation measures may also improve the drying results. Note: The dishwasher automatically defaults to Auto Wash when turned off and back on. If you used the sanitize option in your last cycle, the

dishwasher will default to Auto Wash with the Sanitize option selected when you turn it on.

- ExtraShine®: Used in combination with a wash cycle (except Rinse), the ExtraShine® option raises the temperature and extends the drying time to further enhance drying results and provide a brilliant shine. *model dependent

Note 1: The Energy Guide label was based on the Normal or Regular soil sensing cycle as follows: The unit was tested without any Rinse Aid (liquid) in the Rinse Aid chamber. A single dose of detergent was inserted into the Detergent Dispenser, with no detergent being used in the prewash. The unit was not subjected to truncated testing per the definitions in the test procedure. We recommend that dish loads such as the one in the energy certification test have the rack position set in the highest position.

Wash Cycle Information

To save energy, this dishwasher has EcoSense® where the sensors in the dishwasher automatically adjust the cycle length, temperature and water changes based on the amount of food soil and the incoming water temperature. The “Smart Control” makes decisions that can cause the cycle time and water usage to adjust intermittently. Wash cycle times are based on 120°F water supply. If your household water supply is different than 120°F, your dishwasher’s cycle times may be impacted.

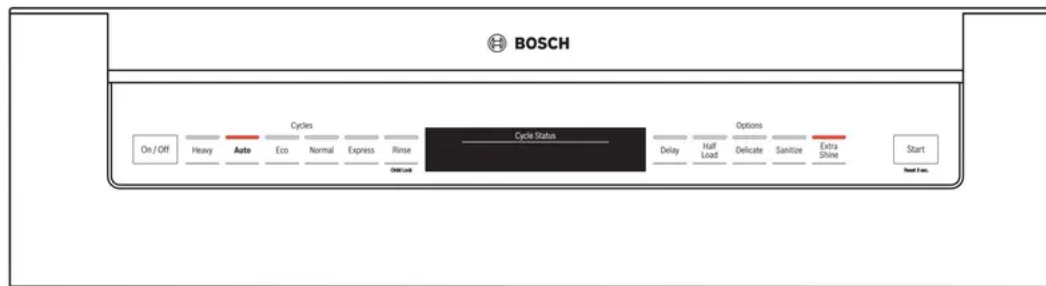
Note: Only sanitizing cycles have been designed to meet the requirements of 6 for soil removal and sanitization efficacy. There is no intention, either directly or indirectly, to imply that all cycles have passed sanitization performance tests.

Table 2 - Wash Cycle Information

	Heavy	Auto	Eco	Normal	Express	Rinse
cycle time	110-135 min	105-129 min	80-85 min	130-135 min	30 min	9 min
water cons.	4.9-6.4 gal 18.6-24.2 L	3.5-6.5 gal 13.1-24.5 L	2.5-3.8 gal 9.3-14.5 L	2.4-5.5 gal 8.8-20.8 L	2.8 gal 10.5 L	1.1 gal 4.1 L
wash temp.	66-71°C 150-160°F	53-66°C 127-150°F	45-50°C 113-122°F	45-55°C 113-131°F	45°C 113°F	incoming
rinse temp.	72°C 162°F	67°C 153°F	62°C 144°F	62-69°C 140-156°F	50°C 122°F	incoming
SpeedPerfect™						
cycle time	95-110 min	75-90 min	60-70 min	95-105min	n/a	n/a
water cons.	4.3-5.5 gal 16.3-20.5 L	4.3-5.3 gal 16.1-20 L	2.4-3.3 gal 9.2-12.5 L	4.4-5.6 gal 16.6-21.1 L	n/a	n/a
rinse temp.	72°C 162°F	72°C 162°F	63°C 145°F	72°C 162°F	n/a	n/a
Half Load						
cycle time	115 min	95-105 min	75-80 min	90-99 min	n/a	n/a
water cons.	4.8 gal 17.9 L	2.7-4.4 gal 10.2-16.5 L	2.5-3.3 gal 9.3-12.5 L	2.8-3.7 gal 10.8-13.9 L	n/a	n/a
rinse temp.	72°C 162°F	70°C 158°F	62°C 144°F	72°C 162°F	n/a	n/a
Delicate						
cycle time	105-110 min	90-105 min	n/a	100-120 min	n/a	n/a
water cons.	4.9-6.4 gal 18.6-24.2 L	3.5-6.5 gal 13.1-24.5 L	n/a	2.4-5.5 gal 8.8-20.8 L	n/a	n/a
rinse temp.	60°C 140°F	60°C 140°F	n/a	60°C 140°F	n/a	n/a
Sanitize						
cycle time	130-150 min	125-150 min	n/a	135-155 min	n/a	n/a
water cons.	4.9-6.4 gal 18.6-24.2 L	3.5-6.5 gal 13.1-24.5 L	n/a	2.4-5.5 gal 8.8-20.8 L	n/a	n/a
rinse temp.	72°C 162°F	72°C 162°F	n/a	72°C 162°F	n/a	n/a
Extra Shine®						
cycle time	130-150 min	125-150 min	115-125 min	135-155 min	60 min	n/a
water cons.	4.9-6.4 gal 18.6-24.2 L	3.5-6.5 gal 13.1-24.5 L	2.5-3.8 gal 9.3-14.5 L	2.4-5.5 gal 8.8-20.8 L	2.8 gal 10.5 L	n/a
rinse temp.	72°C 162°F	72°C 162°F	72°C 162°F	72°C 162°F	72°C 162°F	n/a

SHE68T5xUC*





Operating the Dishwasher

NOTE: For models with hidden controls, the door must be opened before changing settings and closed after changing settings.

Buttons are sensitive and should be touched gently. Avoid any grease or food particles resting on the buttons as they could activate the dishwasher. Wiping and cleaning can also activate the dishwasher. For best results, use bare, clean hands when touching the buttons

WARNING: To avoid risk of injury, always use caution when opening the door during or following a wash cycle as hot water or steam may escape. Do not fully open the door until water noises have stopped and steam has subsided.

Start the dishwasher

1. Press the [On/Off] button. The LED of the last selected cycle flashes.
2. Select a cycle and desired options and press [Start].

Cancel a cycle

1. Press and hold the [Start] button for approximately 3 seconds until the display reads "0:01".
2. Wait about 1 minute while the dishwasher drains.
3. Open the door and press the [On/Off] button.

Interrupt a cycle

1. Press the [On/Off] button to turn the unit off.
2. To resume the cycle, press the [On/Off] button again.

Delay Start

You can delay the start of the cycle in one hour increments up to 24 hours.

To set delay start:

1. Press the [On/Off] button. Select a cycle.

2. Press the [Delay] button until the displayed time corresponds with your requirements and press [Start] to activate delay start.

h:01 = 1 hour delay

h:24 = 24 hour delay

To cancel delay start:

1. Press the [Delay] button until "h:00" is indicated on the digital display.
2. Press [Start] to save setting.

Cycle Completion Signal (hidden controls only)

1. Open the door and press the [On/Off] button.
2. Hold down the "A" button (see page 16) and press [Start] until the display indicates "d:00". Release both buttons.
3. Press the "A" button until the display shows "b:02".
4. Press the "C" button to increase or decrease the tone "b:00" = OFF and "b:03" = LOUDEST and press [Start] to save setting and close the door.

Intensive Drying

The final rinse uses a higher temperature which improves the drying results. The running time may increase slightly. To turn intensive drying on:

1. Press the [On/Off] button.
2. Hold down the "A" button and press [Start] until the display indicates "d:00". Release both buttons
3. Press the "A" button until the display shows "d:00".
4. Press the "C" button to turn intensive drying on or off. "d:01" = ON and "d:00" = OFF and press [Start] to save setting.

Auto Power Off

To save energy, the dishwasher is turned off 1 minute after the wash cycle ends. This setting can be adjusted from P:00 to P:02.

To change the setting:

1. Press the [On/Off] button.
2. Hold down the "A" button and press [Start] until the display indicates "d:0x" (x can be any number). Release both buttons.
3. Press the "A" button until the display indicates "P:0x".

4. Press the “C” button until the display corresponds with your requirements.
 - P:00 = dishwasher does not turn off automatically
 - P:01 = dishwasher turns off automatically after 1 minute
 - P:02 = dishwasher turns off automatically after 120 minutes (2 hours)
5. Press [Start] to save the setting.

InfoLight® (model dependent)

An LED illuminates the floor to indicate the unit is running. If the appliance is installed at eye-level, the LED is not visible.

To change the setting:

1. Open the door and press the [On/Off] button.
2. Hold down the “A” button and press [Start] until the display indicates “d:00”.
3. Release both buttons.
4. Press the “A” button until the display shows “1:01”.
5. Press the “C” button to switch between “1:01” = ON and “1:00” = OFF and press [Start] to save.

Child Lock (model dependent)

1. Start the desired cycle.
2. Hold down the button that says “Child Lock” underneath it for approximately 3 seconds until the display reads “CL”.
3. The “CL” will be indicated now if any button is pressed and the pro-gram will not be reset.

To deactivate the child lock, hold down the “Child Lock” button for approximately 3 seconds until the display no longer reads “CL”.

Care and Maintenance

A regular inspection and maintenance of your machine will help to prevent faults. This saves time and prevents future problems.

Overall condition of the machine

- Never use a steam cleaner to clean your dishwasher. The manufacturer is not liable for any resulting damage.
- Regularly wipe the front of the appliance with a damp cloth - water and a small amount of liquid soap is adequate. Do not use sponges as they could scratch the surfaces.
- Stainless steel appliances: To prevent corrosion, do not use sponges.

- Clean the outer edges of the inside door panel regularly to remove debris that may collect from normal loading. If spots begin to appear on the stainless steel, make sure the rinse agent is full and functioning properly

WARNING: Use caution when removing parts for cleaning as some debris may be sharp.

Filters

The filter system consists of a coarse filter, a flat fine filter and a micro filter. The filters keep large foreign objects in the rinsing water away from the pump. Foreign objects may occasionally block the filters.

Check the filters for residue by:

- Unscrew the filter cylinder as illustrated in Figs. 11-12 and take out the filter system.
- Remove any residue and clean filters under running water.
- Reinstall filter system in reverse sequence and ensure that the arrow marks are facing each other after locking it into place

Figure 11

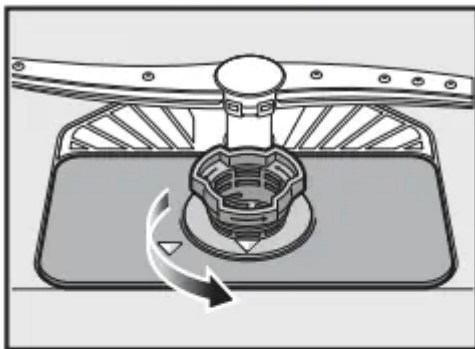
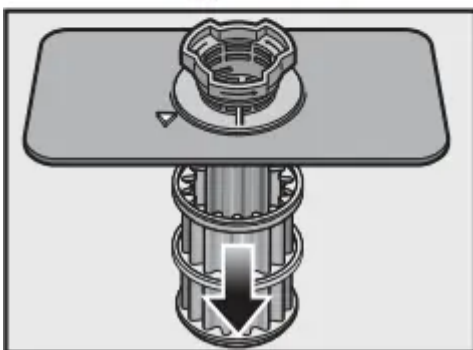


Figure 12



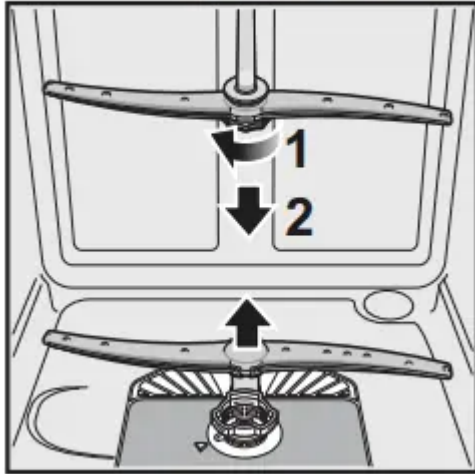
Spray Arms

Check spray arms for grease and limescale deposits. If you find such deposits:

- Fill detergent dispenser with detergent and start the appliance without utensils in the cycle with the highest rinsing temperature (see wash cycle information table).

- Clean the appliance with detergents/ appliance cleaners which are particularly suitable for use with dishwashers.
- Unscrew the spray arms and inspect as shown in Figure 13.

Figure 13



Waste water pump

Large food remnants in the rinsing water not retained by the filters may block the waste water pump.

In this case:

- Disconnect the appliance from the power supply.
- Remove the filters (see Figures 11-12).
- Scoop out standing water - use a sponge if necessary.
- Using a spoon, pry off the pump cover (see Figures 14-15) until it clicks, then grip the cover and pull upward until it resists and then pull forward.

Figure 14

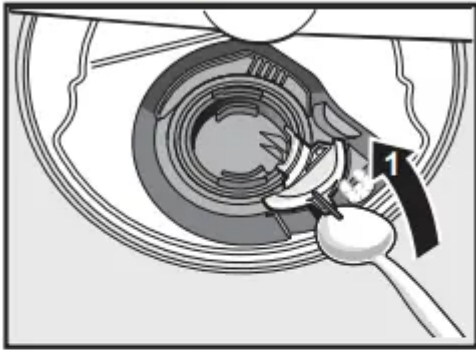
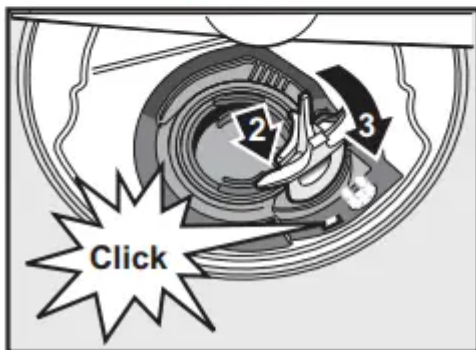


Figure 15



- Check inner compartment and remove any foreign objects.
- Place cover in the original position, press down and engage.
- Reinstall filters.

Preparing your unit for vacation

- Before leaving for vacation during warmer weather, besides turning off the main valve, also turn off water supply at the nearest point to the dishwasher. During colder weather, please follow the instructions for winterizing your unit below.

Winterizing your unit

- If your dishwasher will be unused for an extended period of time in a location that experiences freezing temperatures (holiday home or through a vacation period), have your dishwasher winterized by an authorized professional service.

Troubleshooting Guide

Dishwashers may occasionally exhibit problems that are unrelated to a malfunction of the dishwasher itself. The following information may help you with a dishwasher problem without involving a repair professional.

Problem	Cause	Action
Dishwasher does not start	<ol style="list-style-type: none"> 1. Door may not be properly latched. 2. Unit may not be turned on. 3. Unit not reset or previous cycle not completed. 4. Delay start engaged. 5. Interruption of electrical power supply to dishwasher or blown fuse. 6. The door may have been closed without first selecting a cycle. 7. Water supply may not be turned on. 	<ol style="list-style-type: none"> 1. Shut the door completely until you hear a click. 2. Press the main power switch to turn unit on. 3. To reset, refer to "Cancel a Cycle" section in this manual. 4. To reset, refer to "Delay Start" section in this manual. 5. Check circuit breaker. 6. Select a cycle and close the door. 7. Check and turn on water supply
Display does not illuminate	<ol style="list-style-type: none"> 1. A fuse may have been blown or circuit breaker tripped. 2. Door not closed or latched. <p><i>Note: For models with controls on top of the door, the display only illuminates when the door is opened and controls are visible.</i></p>	<ol style="list-style-type: none"> 1. Check the fuse or circuit breaker box and replace the fuse or reset the breaker if necessary. 2. Ensure door is properly latched and completely closed.
Dishwasher seems to run a long time	<ol style="list-style-type: none"> 1. Incoming water is not warm enough. 2. Cycle time can vary due to soil and water conditions. 3. Rinse aid dispenser is empty. 	<ol style="list-style-type: none"> 1. Before starting a cycle, run hot water faucet at the sink closest to the dishwasher. 2. Sensors in the dishwasher automatically increase the cycle time to ensure a good wash when heavy soil is detected.



4. Dishwasher connected to cold water supply.

Note: Refer to “Wash Cycle Information” section in this manual for typical cycle lengths.

3. Add rinse aid.
4. Verify dishwasher is connected to hot water supply plumbing

Dishes are not getting clean enough	<ol style="list-style-type: none"> 1. Spray arm movement obstructed. 2. Spray arm nozzles clogged. 3. Improper use of detergents. 4. Filters could be clogged. 5. Dishes are nested or loaded too close together. 6. Selected wash cycle is not suitable for food soil conditions. 	<ol style="list-style-type: none"> 1. Ensure that spray arm movement is not blocked by hand rotating spray arms before starting cycle. 2. Remove the spray arms and clean according to the “Care and Maintenance” section of the manual. 3. Increase or decrease detergent depending on the water hardness. 4. Clean the filters according to the “Care and Maintenance” section of the manual. 5. Rearrange load such that water spray can reach all items in the dishwasher - see “Loading the Dishwasher” section of the manual. 6. Refer to “Wash Cycle Information” section of the manual.
-------------------------------------	--	---

Streaks on glassware or residue on the dishes	1. Incorrect rinse aid setting.	Depending on the hardness of water, adjust the rinse agent dispenser. Refer to “Adding Detergent and Rinse Aid” section in the manual.
---	---------------------------------	--



Dishes are not getting dry enough

1. Rinse aid dispenser is empty.
2. Improper loading of dishes.

Note: Plastic or Teflon do not typically dry as well as other items due to their inherent properties.

1. Add rinse aid - the use of rinse agent improves drying, use the Auto cycle, use the Sanitize option.
2. Rearrange load to ensure items are not nesting (see “Loading the Dishwasher” section of the manual).

Note: Select models offer an extra heating option to improve drying performance.

<p>Odor</p> <p>Note: Water testing is done in the factory. Occasionally water may still appear in dishwasher at purchase which may create an odor.</p>	<ol style="list-style-type: none"> 1. Food debris is present at the bottom of the dishwasher. 2. Food particles are present near the door seal. 3. Residual water is present at the bottom of the dishwasher. 4. Drain hose is obstructed. 	<ol style="list-style-type: none"> 1. Remove the filters and clean according to the “Care and Maintenance” section of the manual. 2. Refer to “Care and Maintenance” section of the manual. 3. Ensure the unit has completely drained from the last cycle. 4. Remove any obstructions from the drain hose by calling qualified personnel. <p>Note: If odor still persists, run the Normal/Regular cycle until it flushes and interrupt the cycle and place an 8oz. cup of distilled white vinegar solution on the upper rack and then finish the cycle.</p>
<p>Dishwasher not filling with water or “Check water supply” display lights up</p>	<ol style="list-style-type: none"> 1. Restriction in the water supply system. 2. Previous wash cycle was not completed. 	<ol style="list-style-type: none"> 1. Ensure that the water supply valve (typically located under kitchen sink) is open and check



	<ol style="list-style-type: none"> 3. Delay start is active. 4. Household water supply turned off. 	<p>that the water supply line has no kinks or clogs.</p> <ol style="list-style-type: none"> 2. Refer to the “Operating the Dishwasher” section of the manual. 3. Cancel the delay start or wait until delay start time completes. 4. Turn on water supply.
--	--	---

Fascia panel discolored or marked	<ol style="list-style-type: none"> 1. Abrasive cleaner used. 	<ol style="list-style-type: none"> 1. Use mild detergents with soft damp cloth.
-----------------------------------	---	--

Noise during wash cycle	<ol style="list-style-type: none"> 1. Dishes may not be arranged properly. 	<ol style="list-style-type: none"> 1. Water circulation sound is normal, but if you suspect items are banging into each other or into the spray arms, refer to the “Loading the Dishwasher” section of the manual for optimal arrangement.
-------------------------	---	---

Water leaks	<ol style="list-style-type: none"> 1. Suds. 2. Door seal could be pulled away from track 3. Condensation vent is blocked 4. Improper installation 	<ol style="list-style-type: none"> 1. Wrong type of detergent or overfilling the rinse aid dispenser results in suds and leaks - use only dishwasher detergents. If suds still persist, add one tablespoon of vegetable oil at the bottom of the dishwasher and run the desired cycle. 2. Ensure the door seal is in the track. 3. Ensure that condensation vent is not blocked. 4. Have proper installation verified by qualified personnel (water supply, drain system, leveling, plumbing).
-------------	---	--



Tub stains	<ol style="list-style-type: none"> 1. Stains on the dishwasher interior are due to water hardness. 2. Silverware in contact with tub. 	<ol style="list-style-type: none"> 1. Concentrated lemon juice can reduce the build up of hard water stains. Run Normal cycle until it flushes and interrupt the cycle and then place an 8oz. cup of the concentrated lemon solution on the upper rack and finish the cycle. This can be done periodically to avoid build up. 2. Ensure that silverware does not make contact with the tub while running a cycle.
------------	---	---

Detergent dispenser cover will not shut	<ol style="list-style-type: none"> 1. Improper operation of detergent cover. 2. Previous cycle has not been finished or cycle was interrupted. 	<ol style="list-style-type: none"> 1. Refer to “Adding Detergent and Rinse Aid” section of the manual for instructions on opening and closing the dispenser. 2. Refer to the “Operating the Dishwasher” section of the manual.
Unable to select desired cycle	<ol style="list-style-type: none"> 1. Previous cycle has not finished. 	<ol style="list-style-type: none"> 1. Refer to the “Operating the Dishwasher” section of the manual.

Touch-sensitive “buttons” not activating easily or activating without being touched

1. Water or other liquid on the surface.
2. “Buttons” not being activated properly.

1. Wiping the fascia may cause unwanted activation. Dry clean when possible. If you must use a damp cloth to clean, dry immediately. Never pour water on the controls.
2. Press the center of the “button” with the flat area



of your fingertip. A beep will sound to indicate that the selection has been made. Touching the “buttons” lightly should work.

Note: There is a built in delay to prevent someone from launching several actions at once by accidentally wiping their hand (or a cleaning cloth) across the control panel.

Warning

This content is compiled from multiple sources and is provided for reference purposes only. It may not be complete or fully applicable to all situations. If you are unable to resolve your issue, please contact the product manufacturer or an authorized service provider for official support.