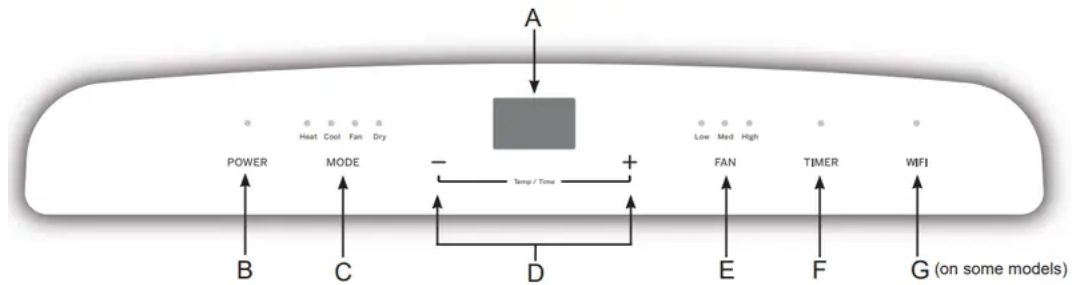


## Controls

Features and appearance will vary.

Lights next to the touch pads on the air conditioner control panel indicate the selected settings.



### Controls

#### A. CONTROL PANEL DISPLAY

Displays the Set Temperature in degrees Fahrenheit or degrees Celsius, or the hours remaining in a Time Delay. The corresponding indicator light will illuminate.

#### B. Power Button

Turns ON/OFF power to the air conditioner.

**NOTE:** Turning off power by pressing the Power button does NOT disconnect the appliance from the power supply.

\* Press the Power button. The Power indicator will illuminate.

#### C. Mode Button

Press the Mode button to toggle among the operating options. The corresponding indicator will illuminate: Cool – Cools the room to the set temperature.

Cool – Cools the room to the set temperature

Dry – Reduces the humidity in the room

Fan – Circulates the air in the room without cooling.

#### D. Remote Control Signal Receiving Window

Aim the Remote Control at this window so the Control will receive the signal.

#### E. Timer / Temperature Set Controls

Adjusts the Temperature or Hours in Time Delay.

#### To Set the Temperature:

The temperature can be set between 64°F and 86°F (18°C and 30° C) when the air conditioner is in Cool mode

1. Press the Mode button until the Cool mode is selected.
2. Press the Up Arrow or Down Arrow buttons to select the Temperature.

**NOTE:** The temperature cannot be set when the air conditioner is in either Fan or Dry mode.

### **E. Fan Speed Button**

The fan speed can be adjusted from Low speed, Medium speed, to High speed when the air conditioner is either in Cool or Fan mode.

**NOTE:** The fan speed cannot be adjusted when the unit is in Dry mode.

\* Press the Fan Speed button to toggle among the three speeds. The corresponding fan speed indicator will illuminate.

### **F. Timer Button**

Program a time from (1-hour to 24-hours) for the air conditioner to turn Off or On. When a Time Delay is programmed, the Timer indicator light will illuminate.

#### **While the air conditioner is operating:**

1. Press the Timer button.
2. Press the Up/Down arrow buttons to select the number of hours you want the air conditioner to continue to operate before turning Off.

**NOTE:** Wait approximately 5 seconds for the Turn-Off time to be saved.

#### **While the air conditioner is off:**

1. Press the Timer button.
2. Press the Up/Down arrow buttons to select the number of hours you want the air conditioner to remain off before turning On.

**NOTE:** Wait approximately 5 seconds for the Turn-On time to be saved.

#### **To cancel the timer:**

\* Press the Timer button once, the hours remaining will flash, press the timer button again and the timer will be canceled.

### **G. WiFi Connect Pad (on some Models)**

1. Connect your air conditioner to WiFi router.
2. Press and hold the timer button for 3 seconds to connect the app or disconnect the app.

Refer to the “WiFi Set up” section for more information.

The display will always default to show the room temperature.

When the air conditioner is turned on, it will automatically start in the last mode and fan settings selected.

## Cool Mode

Use the COOL mode for cooling.

To set the COOL mode:

1. Press the MODE pad until the COOL indicator light is lit.
2. Press the FAN pad to set HIGH, MEDIUM, or LOW fan speed.
3. Press + or - to set the desired temperature between 61°F and 89°F in 1°F increments.

After settings have been made, the display will change back to show the room temperature.

The temperature control is used to maintain the room temperature. The compressor will cycle on and off to keep the room at the set level of comfort. Set the temperature control at a lower number and the indoor air will become cooler. Set the temperature control at a higher number and the indoor air will become warmer. **NOTE:** If the air conditioner is off and is then turned on while set to COOL, it will take approximately 3 minutes for the compressor to start and cooling to begin.

## Cooling Descriptions

**For Normal Cooling**—Select the COOL mode and HIGH, MEDIUM, or LOW fan speed with a middle set temperature.

**For Maximum Cooling**—Select the COOL mode and HIGH fan speed with a lower set temperature.

**For Quieter & Nighttime Cooling**—Select the COOL mode and LOW fan speed with a middle set temperature.

**NOTE:** If you switch from COOL or DRY mode setting to OFF, wait 3 minutes before restarting.

## DRY Mode—Dehumidification

Use the DRY mode to provide dehumidification only. The fan will run at a fixed speed at this setting, so a fan speed cannot be set. Keep windows and doors closed for the best dehumidifying effects.

### To set the DRY mode:

Press the MODE pad until the DRY indicator light is lit.

In the DRY mode, a set temperature will not be displayed. After DRY mode has been set, the display will change back to show the room temperature.

**NOTE:** If you switch from a DRY setting to OFF or to a fan setting, wait at least 3 minutes before switching back to a DRY setting.

## **FAN Mode**

Use the FAN mode to provide air circulation and filtering without cooling.

### **To set the FAN mode:**

- Press the FAN pad until the desired indicator light for HIGH, MEDIUM, or LOW fan speed is lit.

Since fan only settings do not provide cooling, a set temperature will not be displayed. After FAN speed has been set, the display will change back to show the room temperature.

The exhaust hose and window kit do not need to be installed when operating in fan mode.

## **HEAT Mode**

Use the Heat mode at Low, Med, High or Auto Fan Speed for heating. Use the Temperature Increase (+) / Decrease (-) pads to set the desired temperature between 64°F and 86°F in 1°F increments.

An electronic thermostat is used to maintain the room temperature. The heater will cycle on and off to keep the room at the set level of comfort

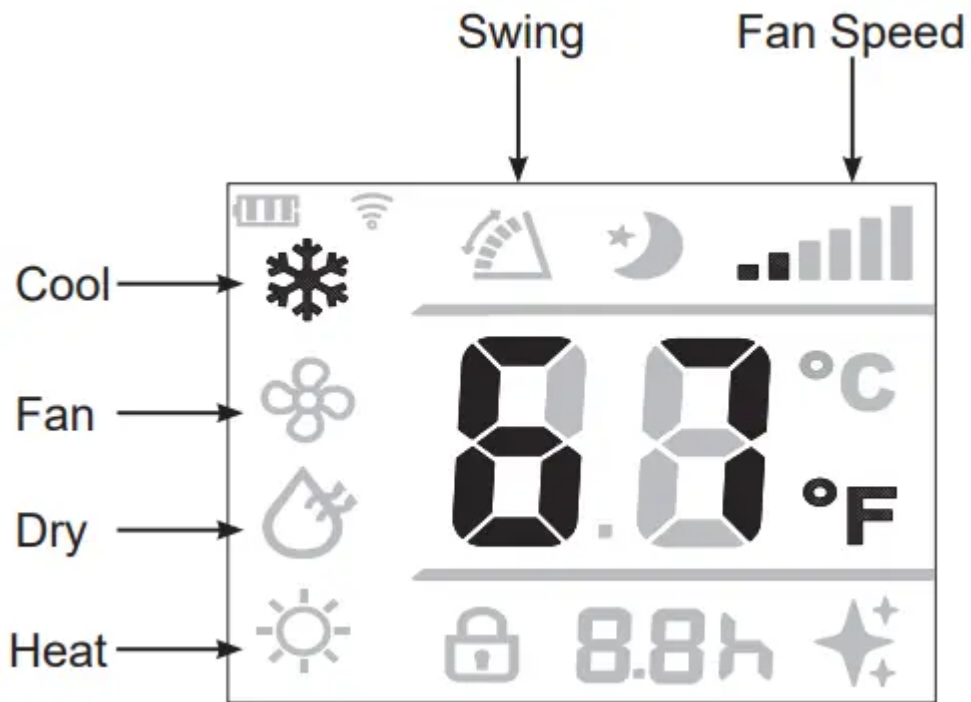
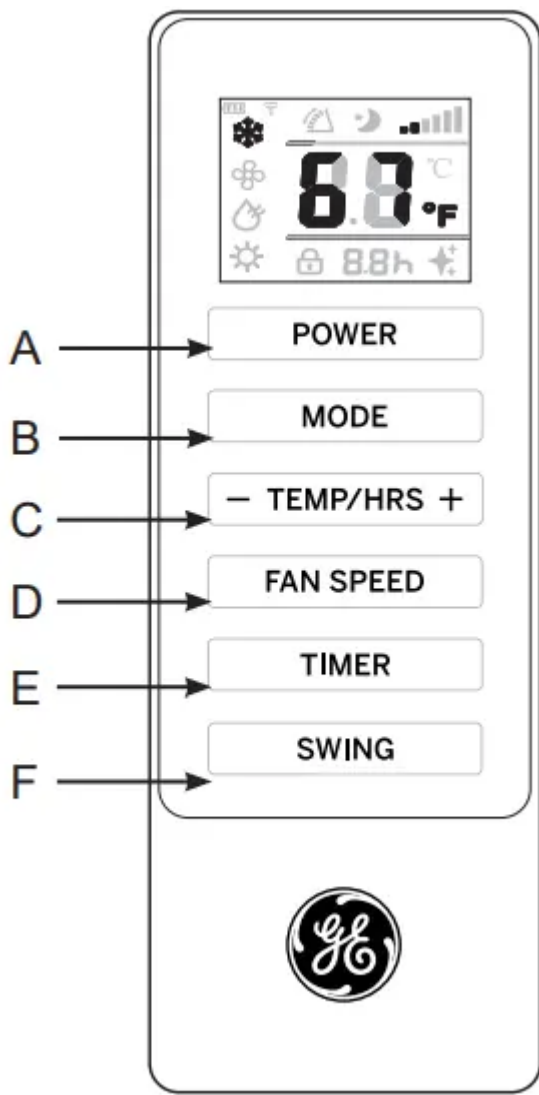
## **Power Outage Recovery Feature**

In the case of a power outage or interruption, the unit will automatically re-start in the settings last used after the power is restored.

NOTE: If the TIMER was set before the power outage, it will need to be reset after power is restored.

Features and appearance may vary.

Icons on the remote control indicate the selected settings.



## REMOTE CONTROL

1. Insert the two batteries (provided).
2. Aim the remote control at the signal receiver on the control panel to operate the air conditioner.

### A. Power

Turns ON/OFF power to the air conditioner.

**NOTE:** Turning off power by pressing the Power button does NOT disconnect the appliance from the power supply.

- Press the Power button. The Power indicator will illuminate.

### B. Mode

Press the Mode button to toggle among the operating options. The corresponding indicator will illuminate: Heat (on some models) - Heats the room to the set temperature

Cool – Cools the room to the set temperature

DRY – Reduces the humidity in the room

Fan – Circulates the air in the room without cooling

### C. Temperature

Adjusts the Temperature or Hours in Time Delay.

#### To Set the Temperature:

The temperature can be set between 61°F and 89°F (17°C and 30°C) when the air conditioner is in Cool mode.

1. Press the Mode button until the Cool mode is selected.
2. Press the Up Arrow or Down Arrow buttons to select the Temperature.

**NOTE:** The temperature cannot be set when the air conditioner is in either Fan or DRY mode.

### D. Fan Speed

The fan speed can be adjusted from Low, Medium, to High speed when the air conditioner is in operation. **NOTE:** The fan speed cannot be adjusted when the unit is in DRY mode.

- Press the Fan Speed button to toggle among the three speeds. The corresponding fan speed indicator will illuminate.

### E. Timer

Program a time from (1-hour to 24-hours) for the air conditioner to turn Off or On. When a Time Delay is programmed, the Timer indicator light will illuminate.

### F. Swing Button

The louvers on your portable air conditioner will open automatically (do not pry them open or push them shut). Use the Swing Button on your remote to adjust the louvers in the position you would like them to be in, or to operate in Swing mode the louvers will continue to move up and down.

## Care and Cleaning

### CLEANING



1. Unplug or disconnect power.
2. Use only a soft cloth dampened with water to clean the cabinet.

#### NOTE:

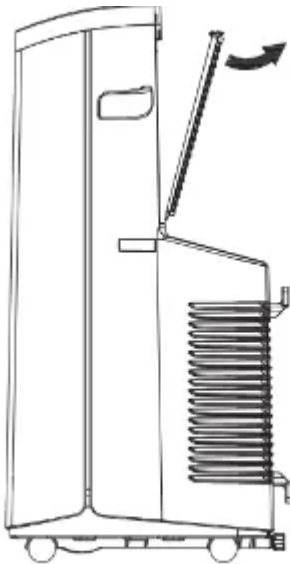
- Do not use a liquid or spray cleaner to clean the air conditioner.
- DO NOT use chemicals, abrasives, ammonia, chlorine bleach, concentrated detergents, solvents or scouring pads. Some of these chemicals/items may damage and/or discolor your air conditioner.

3. Dry thoroughly with a soft cloth.
4. Plug in or reconnect power.

#### Air Filter

The air filters should be cleaned at least every two weeks for your unit to operate at optimum efficiency.

**CAUTION:** DO NOT operate the air conditioner without a filter because dirt and lint will clog it and reduce performance.



**To remove:**

1. Unplug or disconnect power.
2. Pull to remove upper filter panel.
3. Wash or vacuum the dust from the air filters.

**NOTE:** If washed, gently shake the filter to remove the excess water and dust particles trapped in the filter.

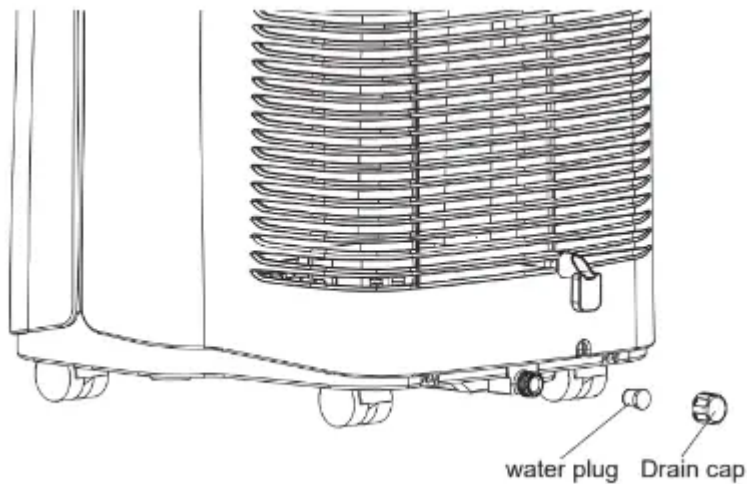
4. Reinstall the filters.
5. Plug in or reconnect power.

**Internal Water Tank**

The Water Full indicator (“FL” on the control panel display) illuminates when the internal water tank has filled with condensed water.

To Empty the Internal Water Tank:





1. Unplug or disconnect power.
2. Place a shallow 1 quart or larger pan (not included) below the lower drain located on the back (near the bottom) of the air conditioner.
3. Remove the cap and the rubber plug and drain the water tank.
4. Re-insert the drain plug and screw the cap snugly into place.
5. Plug in or reconnect power.

## Storage

If the unit is not being used for a long period of time: To Empty the Internal Water Tank:

1. Unplug or disconnect power.
2. Drain the water from the water tank. (See “Internal Water Tank section” above.)
3. Use the original packaging to repack the unit to avoid a buildup of dust or dirt.
4. Store the air conditioner in a cool, dry location.

## How to Insert the Batteries in the Remote Control

1. Remove the battery cover by sliding it according to the arrow direction.
2. Insert new batteries, making sure that the (+) and (-) of battery are installed correctly.
3. Reattach the cover by sliding it back into position.

# Installation Instructions

## BEFORE YOU BEGIN

Read these instructions completely and carefully.

- **IMPORTANT** — Save these instructions for local inspector’s use.
- **IMPORTANT** — Observe all governing codes and ordinances.

- **Note to Installer** – Be sure to leave these instructions with the Consumer.
- **Note to Consumer** – Keep these instructions for future reference.
- **Skill level** – Installation of this appliance requires basic mechanical skills.
- **Completion time** – Approximately 1 hour
- We recommend that two people install this product.
- Proper installation is the responsibility of the installer.
- Product failure due to improper installation is not covered under the Warranty.
- You **MUST** use all supplied parts and use proper installation procedures as described in these instructions when installing this air conditioner.

## ELECTRICAL REQUIREMENTS



Some models require a 115/120-volt AC, 60-Hz grounded outlet protected with a 15-amp time-delay fuse or circuit breaker.

The 3-prong grounding plug minimizes the possibility of electric shock hazard. If the wall outlet you plan to use is only a 2-prong outlet, it is your responsibility to have it replaced with a properly grounded 3-prong wall outlet.

### CAUTION:

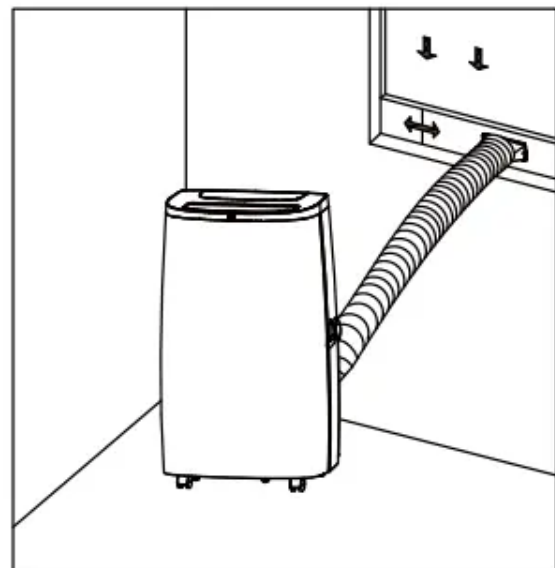
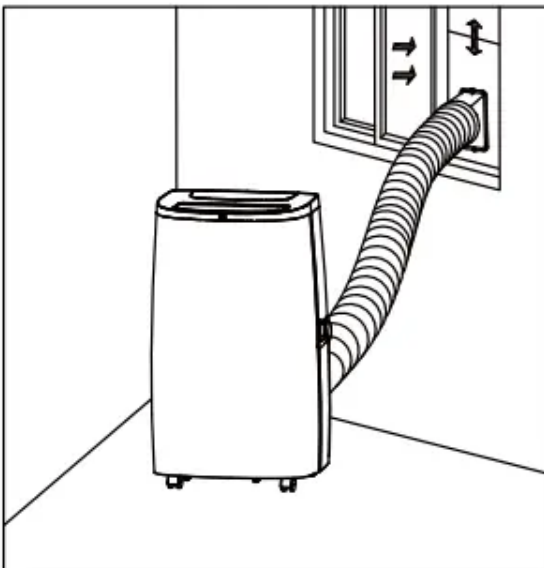
- Do not, under any circumstances, cut or remove the third (ground) prong from the power cord.
- Do not change the plug on the power cord of this air conditioner.
- Aluminium house wiring may present special problems—consult a qualified electrician.



Power cord includes a current interrupter device. A test and reset button is provided on the plug case. The device should be tested on a periodic basis by first pressing the TEST button and then the RESET button while plugged into the outlet. If the TEST button does not trip or if the RESET button will not stay engaged, discontinue use of the air conditioner and contact a qualified service technician.

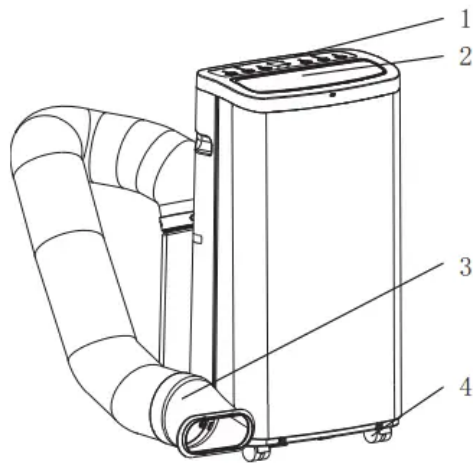
## Location Requirements

- Place the air conditioner on a flat, level surface in a location that is at least 30" (76.2 cm) from any wall.
- **NOTE:** A minimum clearance of 30" (76.2 cm) from the air conditioner to the wall must be maintained to ensure proper airflow.
- Maintain a minimum 30" (76.2 cm) clearance around the air conditioner to not block airflow.
- Keep the air conditioner free of any obstructions such as drapes, curtains, blinds, etc.
- The exhaust hose should be free of any obstructions.
- Do not place the air conditioner on an unstable or raised surface because it could fall and cause damage or injury.
- Do not place the air conditioner in direct sunlight or near a heat source such as baseboard heaters, stoves, etc.
- The window panel can be installed in a window with a minimum 20" (55.88 cm) to a maximum 46" (121.92) opening.

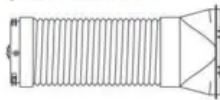


## PARTS INCLUDED

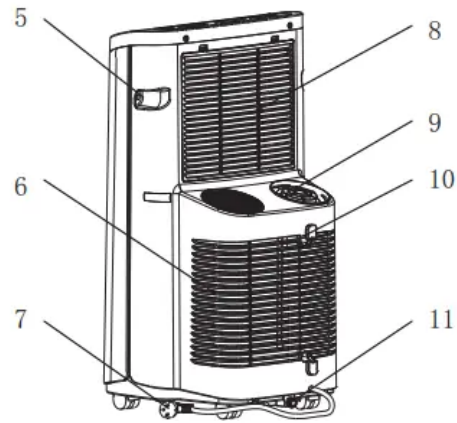
(Appearance may vary)



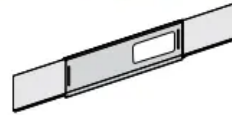
- 1. Control Panel
- 2. Louver
- 3. Exhaust Hose



- 4. Casters
- 5. Handle (2)
- 6. Grill
- 7. Power Cord



- 8. Filter
- 9. Air Outlet
- 10. Hook for Power Cord (2)
- 11. Water Outlet
- 12. Window sealing plate assembly



- 13. Small Screw

## 1. UNPACK AIR CONDITIONER

**⚠ WARNING**

**Excessive Weight Hazard**

Use two or more people to move and install air conditioner.

Failure to do so can result in back or other injury.

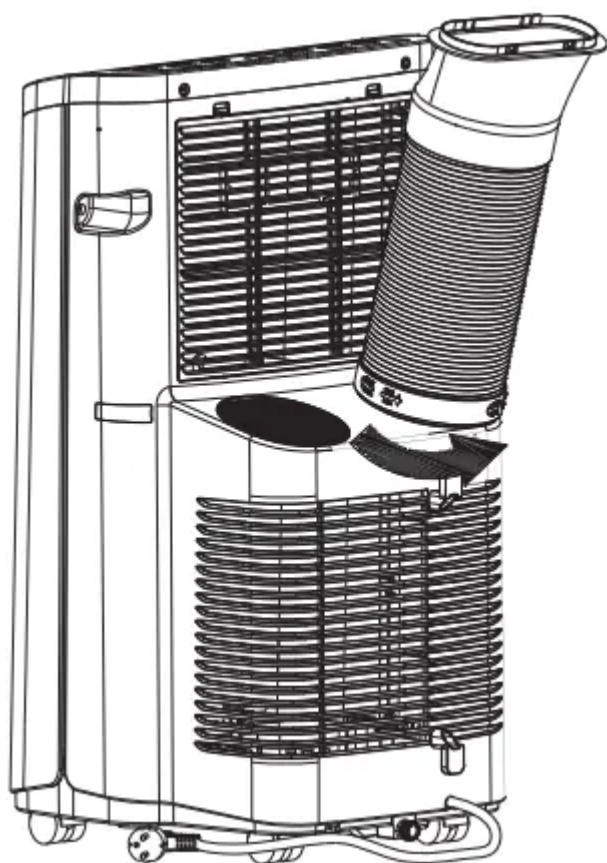
- Remove packaging materials. Save the carton and the foam packaging for storing the air conditioner when not in use.

**NOTE:** There are NO packing materials inside the air conditioner to remove—Do Not open the cabinet.

- Properly dispose of/recycle all packing material.
- Handle the air conditioner gently.
- Keep the air conditioner upright and level. Do not set the air conditioner on its side, front, back or upside down.

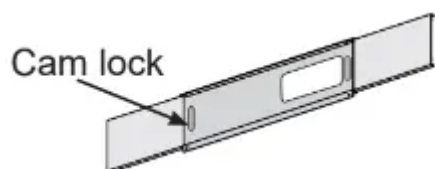
## 2. Install Exhaust Hose Assembly to Back of Unit

Install the exhaust hose assembly by screwing the hose counterclockwise into the exhaust port on the back of the Air Conditioner.

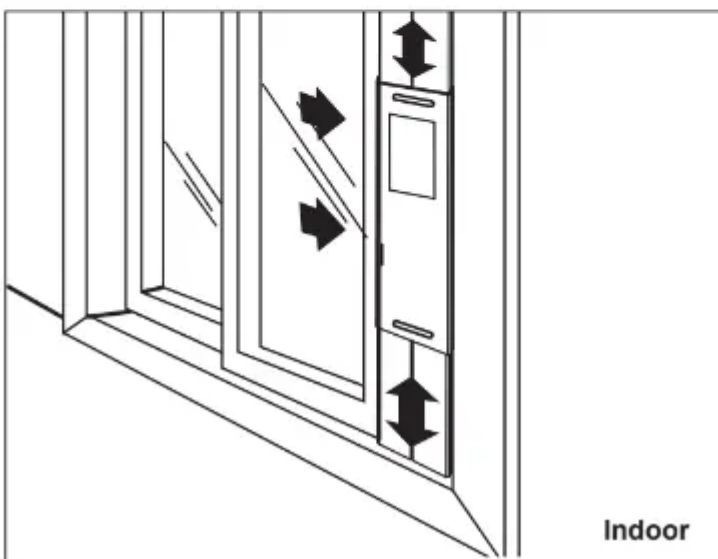
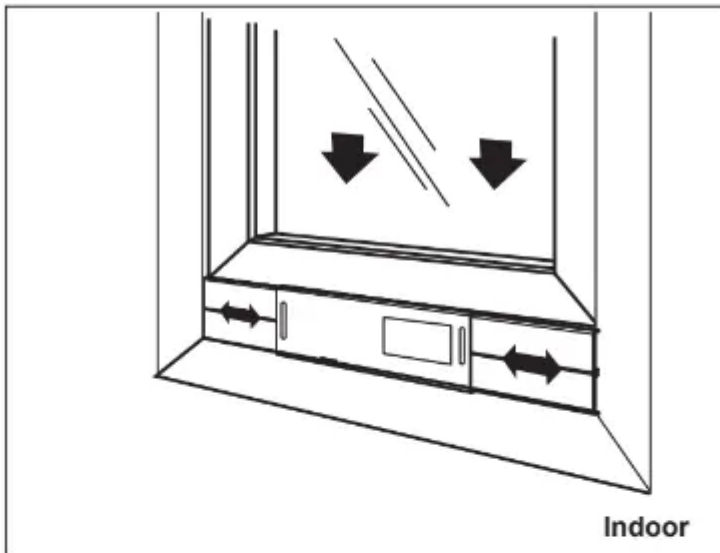


### 3. INSTALL WINDOW PANELS

A. Measure the window opening. For a 20" opening, use just the middle panel of the Window Kit with the opening for the Exhaust Hose Adapter. For openings from 20" to 33", insert one side panel to the middle panel, for openings from 33" to 46", insert both side panels.



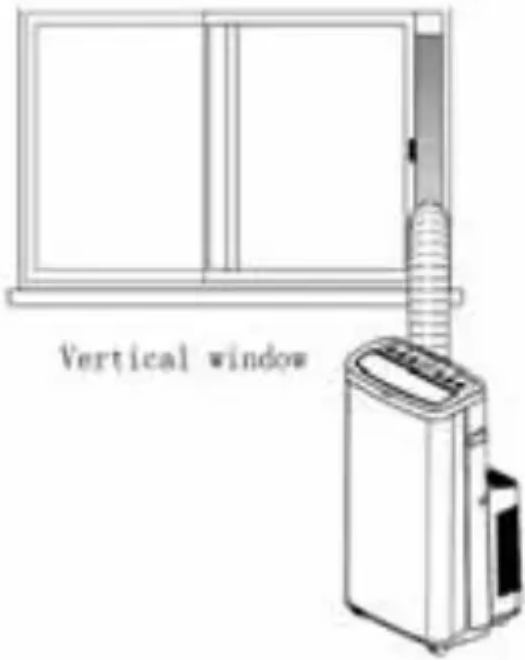
B. Place the Window Kit into the window opening (the Cam Locks should be towards you) and slide the side panels (if being used) outward to fill the opening. Lock the panels in place with the Cam Locks. Apply the foam seals to the top, bottom and ends to provide the best seal. Slide the window shut against the Window Kit.



#### 4. Connect Exhaust Hose to the Window Panel

Place the Air Conditioner close to the window ensuring there is at least 20" of clearance from the wall and any other obstructions. Extend the hose so that it reaches the Window Kit. Insert the Exhaust Hose Adapter into the opening in the Window Kit and slide it into the locking position. Ensure that the hose runs straight to the window with no excess extension. Important: The Air Conditioner must be vented to the outside. Do not use a longer hose or extend the hose included with the Air Conditioner or the unit will not cool properly and will overheat.

Vertical Window

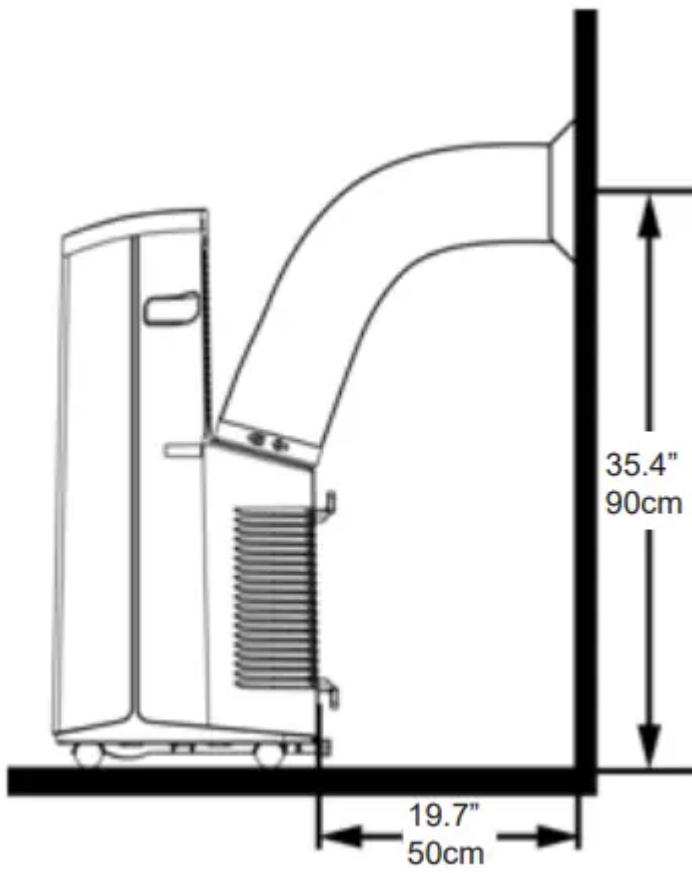


Vertical window

Horizontal Window



Horizontal window



## 5. COMPLETE INSTALLATIO

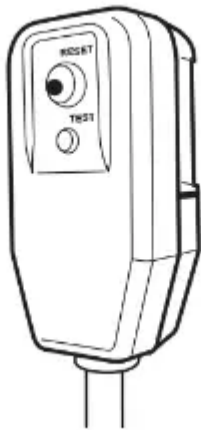
**⚠ WARNING**



**Electrical Shock Hazard**

Plug into a grounded 3 prong outlet.  
Do not remove the ground prong from the power cord plug.  
Do not use an adapter.  
Do not use an extension cord.  
Failure to do so can result in death, fire or electrical shock.

1. Plug the power cord into a grounded 3 prong outlet.
2. Press the Reset button on the plug to ensure the safety plug is providing power to the Air Conditioner.
3. Allow 20" of clearance around the Air Conditioner for proper air circulation
4. When removing the Air Conditioner, be sure to remove the Window Kit



## Troubleshooting Tips

<b>Problem</b>	<b>Possible Causes</b>	<b>Solution</b>
<b>Unit does not start or operate</b>	Power supply cord is not plugged into an outlet.	Plug the power cord into a grounded 3 prong outlet
	Power supply cord has tripped.	Press and release the RESET button on the power supply cord.
	The Power button has not been pressed	Press the Power button on the Control Panel or Remote Control to turn ON the air conditioner
	There is no power to the electrical outlet	Plug a working lamp into the outlet to check for power.
	A household fuse has blown or a circuit breaker has tripped.	Replace the fuse or reset the circuit breaker.
	The control was programmed for a Time Delay	Cancel the Time Delay. See "Control Panel."
	The batteries in the remote control are dead.	Replace the batteries.
	The internal water tank is full. <b>NOTE:</b> The air conditioner automatically turns off, and the Water Full indicator illuminates to alert you of this condition	Empty the water tank. See "Air Conditioner Care."
<b>Remote control is not working</b>	Batteries are dead.	Replace the batteries.
	Batteries are installed incorrectly.	Make sure the batteries are inserted in the correct position.
<b>Air conditioner is working but the room is not cooling.</b>	The room temperature is hot. <b>NOTE:</b> On extremely hot and humid days, the air conditioner	Allow time for the room to cool when you first turn on the unit.

will take longer to cool the room.	Make sure the air conditioner has an adequate BTU rating for the size of the room being cooled
The control is set incorrectly to Fan or Dry mode	Set the Mode to Cool and the Fan Speed to High
Airflow is restricted.	Remove any obstacles to the airflow and redirect airflow for uniform cooling.
Temperature set too high.	Lower the set temperature.
Air filters are dirty or restricted.	Clean the air filter. See "Air Conditioner Care"
Air conditioner installed incorrectly	Check the exhaust hose and window panel for proper installation.
Doors and windows are open.	Close the doors and windows to the room being cooled to prevent cooled air from escaping.

## Error Codes

Code	Meaning
E1	The hose temperature sensor is abnormal
E2	The room temperature sensor is abnormal
E4	Anti-freeze protection
FL	Full-water

### Warning

This content is compiled from multiple sources and is provided for reference purposes only. It may not be complete or fully applicable to all situations. If you are unable to resolve your issue, please contact the product manufacturer or an authorized service provider for official support.

---

Document generated by [ManualsFile](#)

