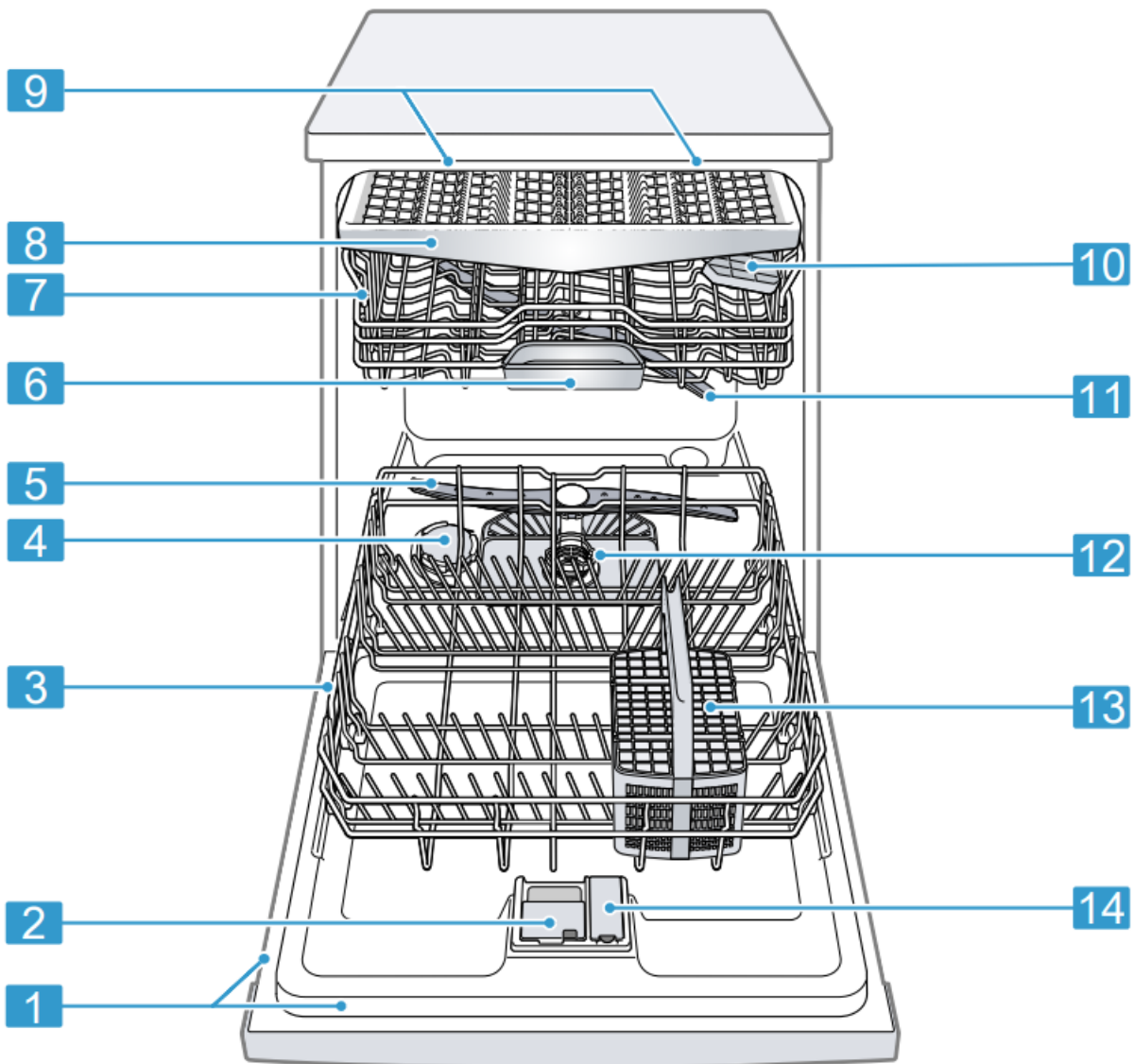


Familiarising yourself with your appliance

Familiarise yourself with the parts of your appliance.

Appliance



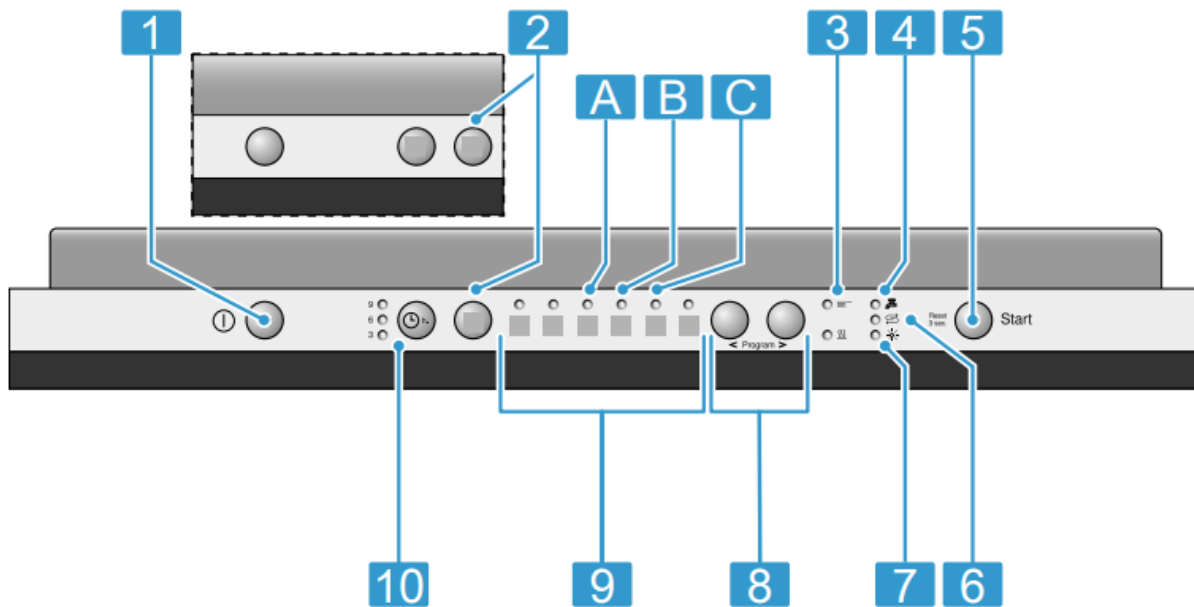
1. Rating plate
Rating plate with E number and FD number
2. Detergent dispenser
Detergent 31 is added to the detergent dispenser
3. Bottom basket
Add special salt for the Water softening system
4. Dispenser for special salt


5. Lower spray arm
The lower spray arm washes the tableware in the bottom basket.
If the tableware has not been washed properly, clean the spray arms
6. Tablet collecting tray
During the wash cycle tablets automatically fall out of the detergent dispenser into the tablet collecting tray where they can fully dissolve.
7. Top basket
8. Cutlery drawer
9. EmotionLight
Interior lighting of the appliance.
10. Etagere
11. Upper spray arm
The upper spray arm washes the tableware in the top basket.
If the tableware has not been washed properly, clean the spray arms.
12. Filter system
13. Cutlery basket
14. Dispenser for rinse aid
Add rinse aid for the Rinse aid system

Controls

The controls are used to configure all functions of your appliance and to obtain information about the operating status.

With some buttons you can perform different functions.

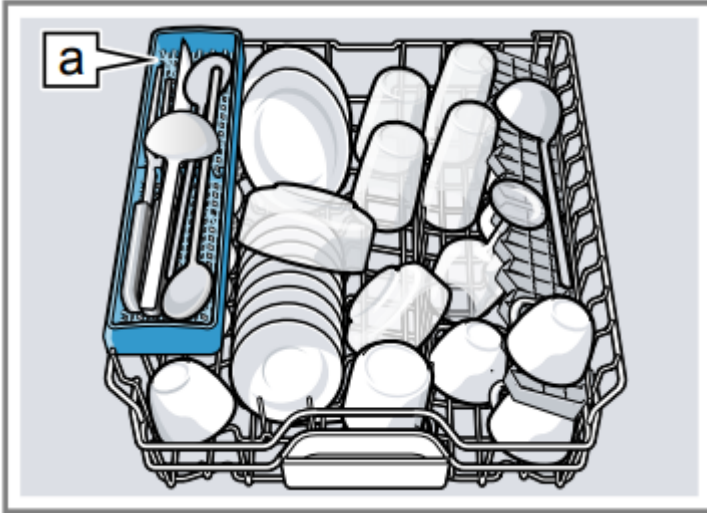


1. ON/OFF button 
 - Switching on the appliance
 - Switching off the appliance
2. Additional functions
3. Programme sequence display
 - The programme sequence display shows the current cycle of the appliance, e.g. washing or drying.
4. Water supply display
 - Display for water supply lights up
5. Start button **Start** and reset button **Reset 3 sec.**
 - Starting the programme
 - Terminating the programme
6. Special salt aid refill indicator
 - Water softening system
7. Rinse aid refill indicator
 - Rinse aid system
8. Setting buttons
 - Setting a programme
 - Changing basic settings
9. Programmes
10. Timer programming
 - Setting timer programming

Features

Top basket

Arrange cups and glasses in the top basket.



Knife shelf (a)

You can adjust the height of the top basket to make room for larger items of tableware.

Adjusting top basket with side levers

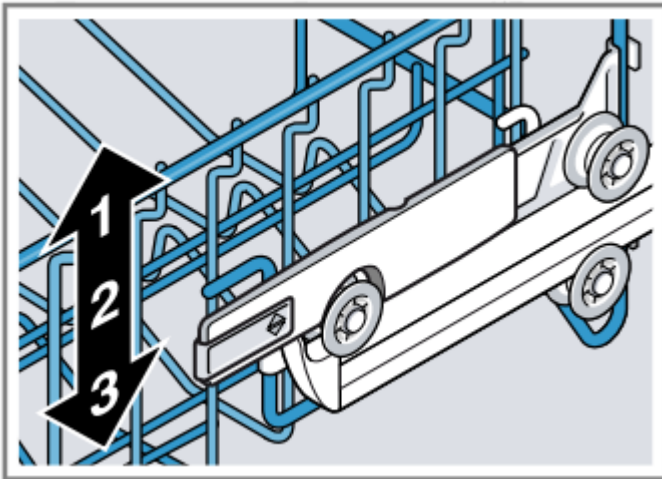
To wash large items of tableware in the baskets, adjust the shelf position of the top basket.

1. Pull out the top basket.
2. To prevent the basket from suddenly dropping down, hold the side of the basket by the top edge.
3. Press in the levers on the right and left on the outside of the basket.



The basket can then slip down slightly.

4. Raise or lower the basket evenly to the right level.



Check that the basket is level on both sides.

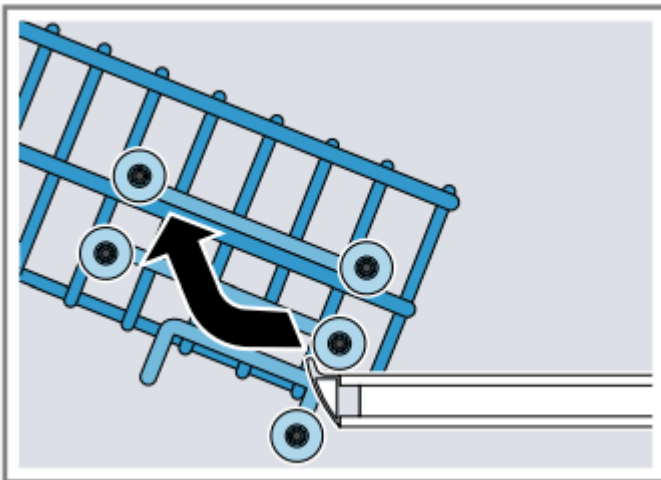
5. Slide the basket back in.

Adjusting top basket with pairs of rollers

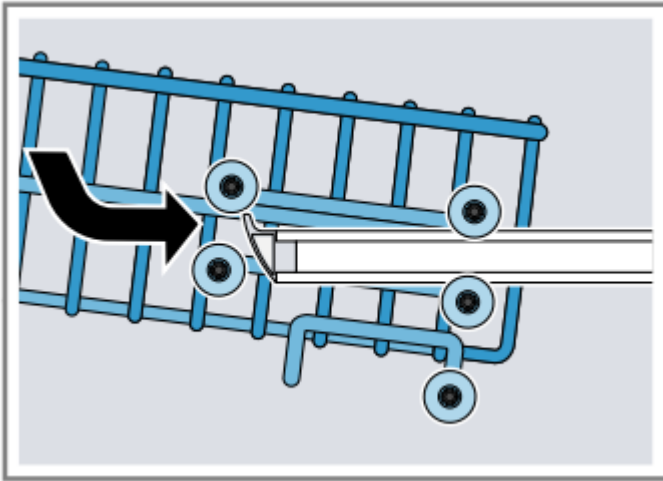
To wash large items of tableware in the baskets, adjust the shelf position of the top basket.

1. Pull out the top basket.

2. Remove the basket.



3. Insert the basket at the right basket height.

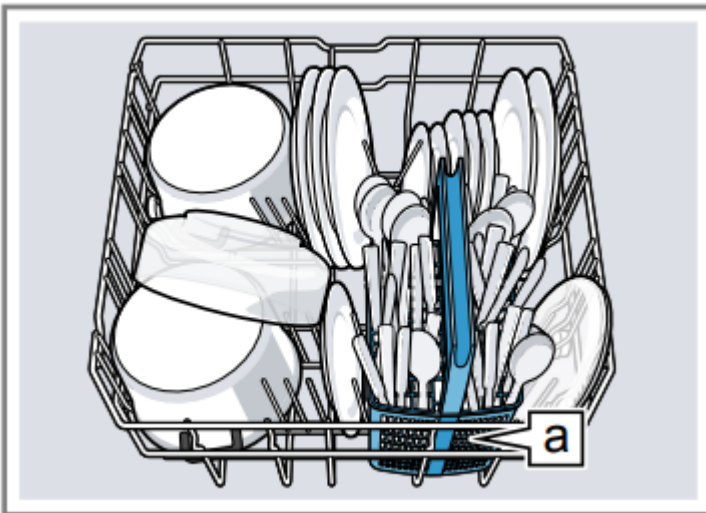


Check that the basket is level on both sides.

4. Slide the basket back in.

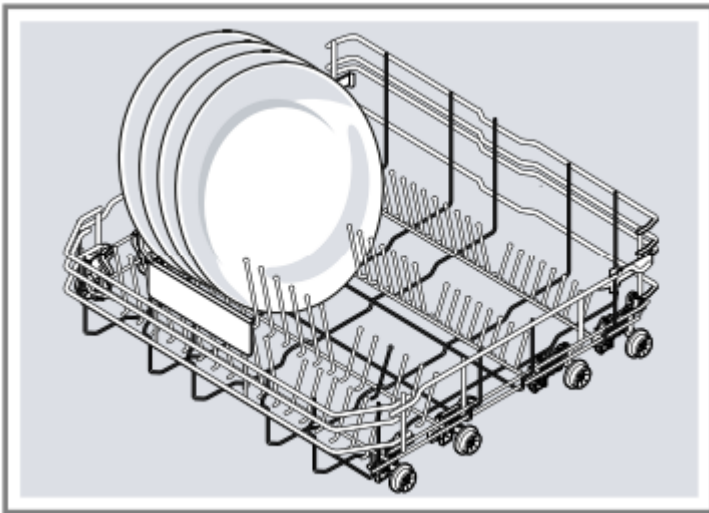
Bottom basket

Arrange pans and plates in the bottom basket.



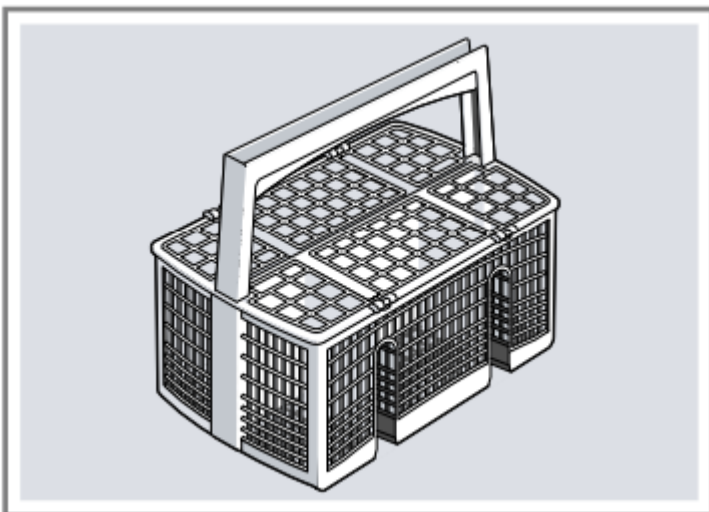
Cutlery basket (a)

Large plates up to a diameter of 31/34 cm¹ can be arranged as shown.



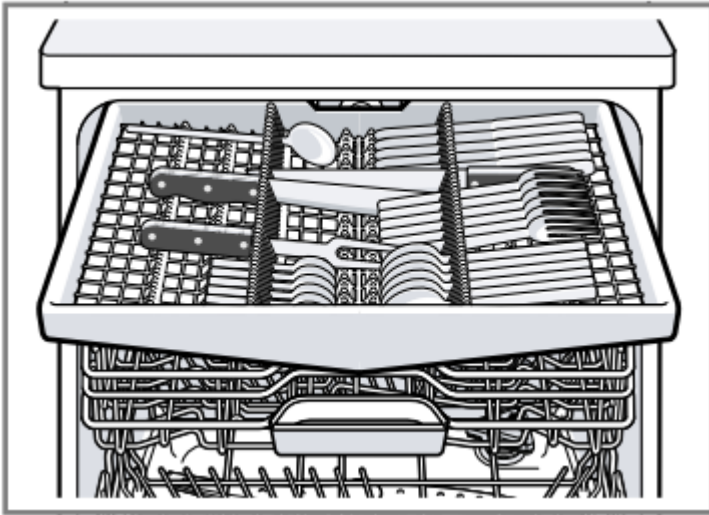
Cutlery basket

Arrange cutlery in the cutlery basket, always without sorting it and with the sharp points downwards.



Cutlery drawer

Arrange cutlery in the cutlery drawer.

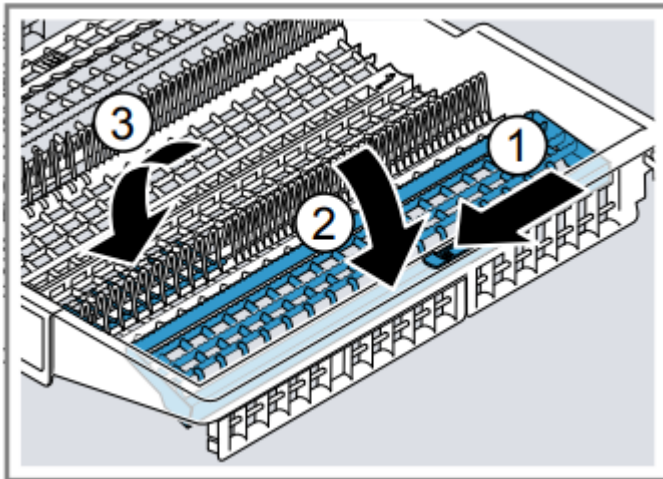


Arrange cutlery with the points and sharp edges downwards. You can reorganise the cutlery drawer to make more space for longer/wider items of cutlery.

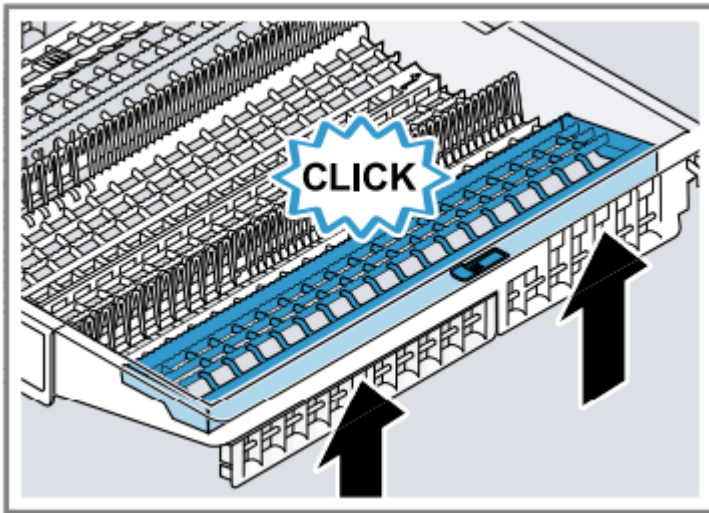
Reorganising cutlery drawer

You can fold down the side shelves and front prongs to make more space for longer/wider items of cutlery.

1. To fold down a side shelf, push the lever forwards (1) and fold down the side shelf (2).
2. To fold down the front prongs, push the lever forwards and fold down the prongs (3).

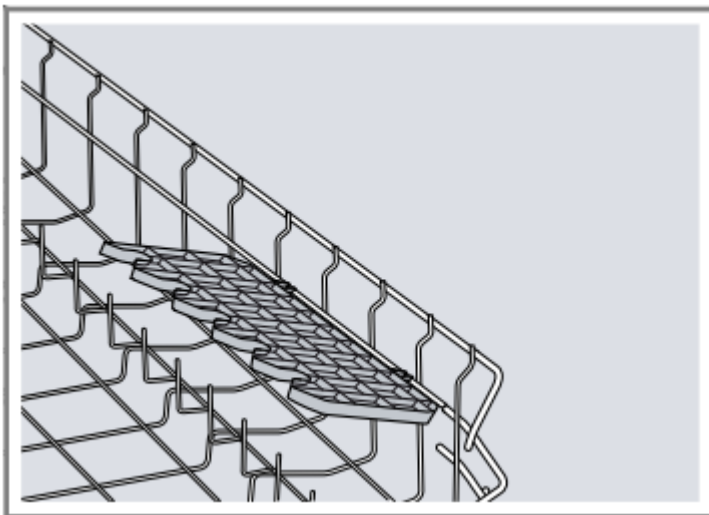


Tip: If you want to return the cutlery drawer to the original position, fold the side shelf back up until it clicks into position.



Etagere

Use the etagere and space underneath for small cups and glasses or for large items of cutlery, e.g. wooden spoons or serving cutlery.



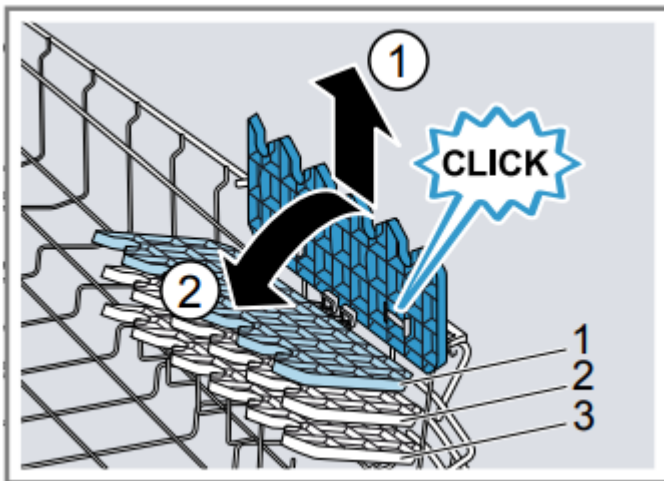
You can adjust the height of the etagere.

If you do not need the etagere, you can fold it up.

Adjusting etagere

You can adjust the height of the etagere.

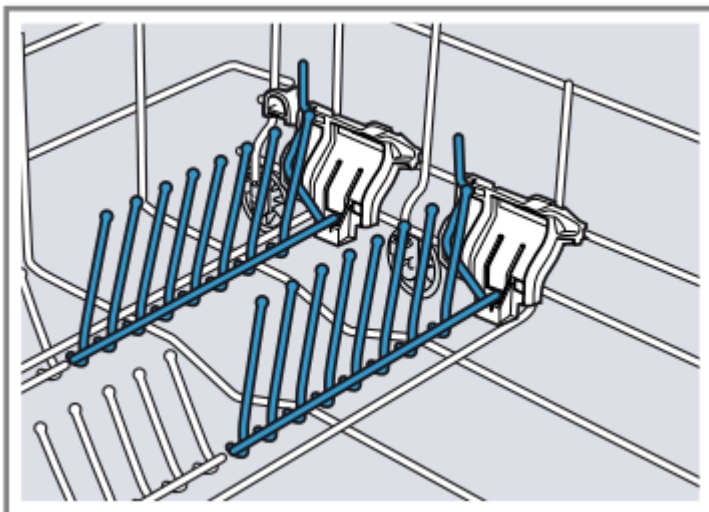
1. Position the etagere vertically and pull it upwards (1).



2. Position the etagere at a slight angle and move to the right height (2).
3. Push the etagere down. The etagere clicks into position

Folding prongs

Use the folding prongs to position tableware securely, e.g. plates.

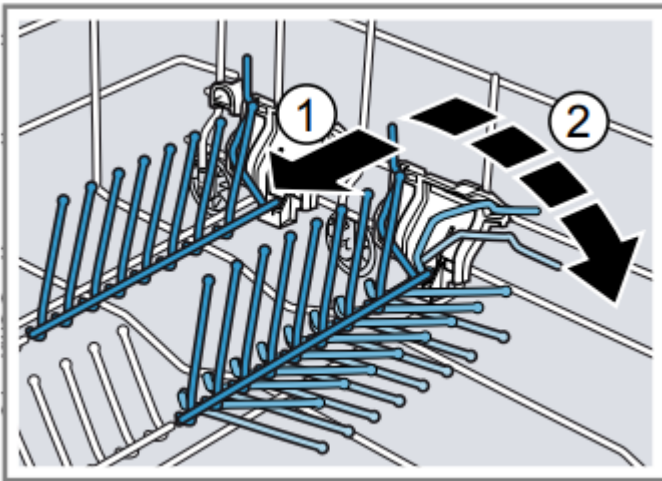


You can fold the prongs down to position pans, bowls and glasses better.

Folding down prongs

If you do not need the prongs, fold them down.

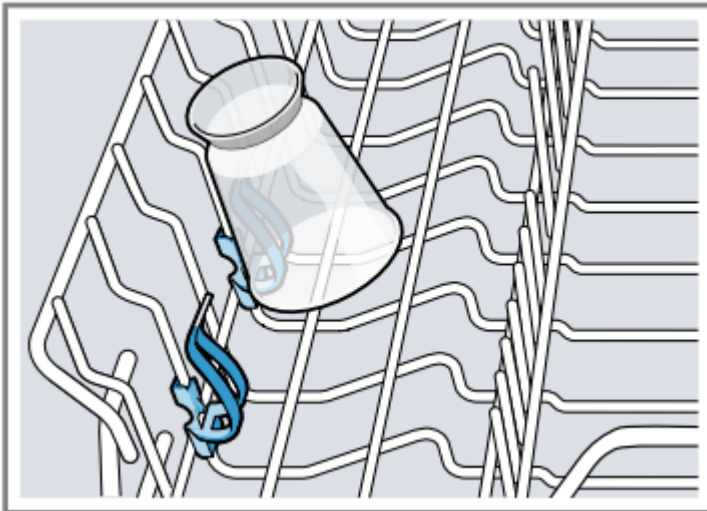
1. Push the lever forwards (1) and fold down the prongs (2).



2. To use the folding prongs again, fold them back up. The folding prongs click in position.

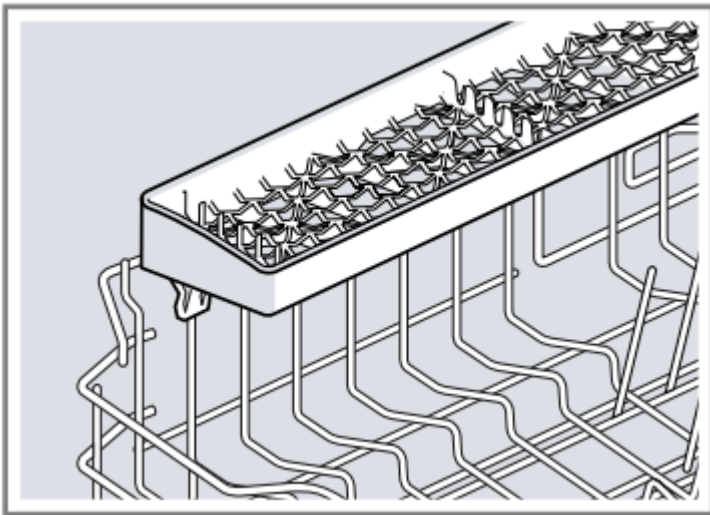
Small items holder

Use the small items holder to position small items of tableware, e.g. light plastic parts.



Knife shelf

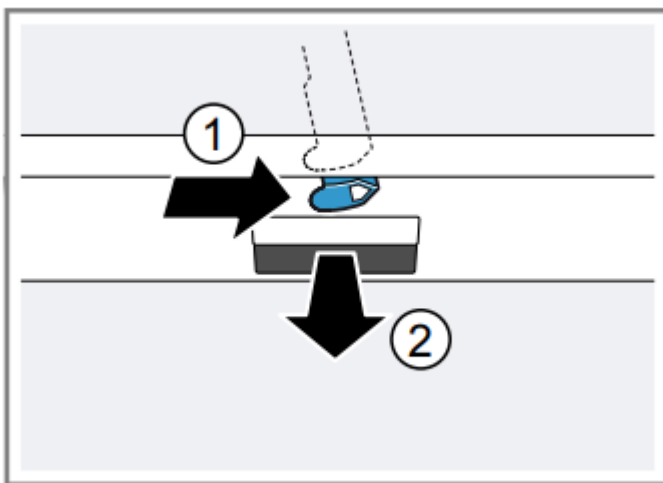
Use the knife shelf for long, sharp objects and long items of cutlery.



Basic operation

Opening appliance door

1. If the childproof lock is not activated, open the appliance door.
2. If the childproof lock1 is activated, press the catch of the lock to the right and open the appliance door .



Switching on the appliance

Press ①.

The Eco 50° programme is set by default.

The Eco 50° programme is an especially environmentally friendly programme and ideal for normally soiled tableware. It is the most efficient programme for the combination of energy/water consumption for this type of tableware and evidences conformity with the EU Ecodesign Order.

If you do not perform any actions on the appliance for 15 minutes, the appliance will automatically switch off.

Setting a programme

To adjust the wash cycle to the soiling level of the tableware, select a suitable programme.

Press < or > repeatedly until the right programme has been selected.

The programme is set and the LED flashes.

Setting additional functions

You can set additional functions to complete the washing programme selected.


Note: The additional functions which can be used depend on the programme selected.


Press the button for the relevant additional function.

The additional function is set and the additional function button flashes.

Setting timer programming

You can delay the start of the programme by 3, 6 or 9 hours.

1. Press  repeatedly until the relevant display lights up.
2. To activate timer programming, press **Start**.

Note: To deactivate timer programming, press  repeatedly until none of the displays 3h, 6h or 9h lights up.

Starting the programme

Press Start.

While the programme is running, a spot of light is projected onto the floor below the appliance door. This light will not be visible if the appliance is installed at eye level with the cabinet front fitted flush.

The programme has ended when no indicators on the controls light up.

The programme has ended when the spot of light is no longer visible on the floor.

Notes

- If you want to add more tableware while the appliance is running, do not use the tablet collecting tray as a handle for the top basket. You might touch the partially dissolved tablet.
- You can only change a programme when running if you cancel it.
- The appliance switches off automatically 1 minute after the end of the programme to save energy. If you open the appliance door immediately after the programme has ended, the appliance will switch off after 4 seconds.


Interrupting programme

Note: When you open the appliance door once the appliance has heated up, leave the door slightly ajar for a few minutes and then close it. This will help prevent excess pressure building up in the appliance and stop the appliance door bursting open.

1. Press .

The programme is saved

the appliance switches off.

2. Press  to resume the programme.

Terminate programme

To end a programme early or to switch from a programme that has already started, you will need to terminate it first.

1. Open the appliance door.

2. Press **Reset 3 sec.** for approx. 3 seconds.

3. Close the appliance door.

The programme is terminated and ends after approx. 1 minute.


The indicators of the controls are off.

Switching off appliance

1. Please note the information on Safe use

2. Press .

3. To prevent damage from dripping water, turn the water tap off tight (not applicable to appliances with Aqua-Stop).

Tip: If you press  during the wash cycle, the programme currently running will be interrupted. When you switch the appliance back on, the programme continues automatically









Basic settings

Overview of basic settings

The basic settings depend on the features of your appliance

| Basic setting | Selection | Description |
|-----------------|---------------------|--|
| Water hardness | Scale with 4 levels | Set the water hardness. |
| Rinse aid disp. | Scale with 4 levels | Set the amount of rinse aid to be dispensed or switch off. |
| Extra Dry | On Off | Switch ExtraDry on or off for each operation. For a better drying result the temperature in the final rinse is increased. This may increase the run time slightly. Note: Please take care with delicate tableware. |
| Tone volume | Scale with 4 levels | Adjustment of tone volume. |

Setting Intensive drying

1. Open the appliance door.
2. Press .
3. Press and hold  and until  and  flash.
4. Release buttons.
5. Press  repeatedly until  and  flash.
6. Press  repeatedly until the right level has been selected.

If no LED lights up, Intensive drying is switched off.





If LED A lights up, Intensive drying is switched on.

7. Press to save the setting.

The LEDs go out.

8. Close the appliance door.

Setting signal volume

1. Open the appliance door.
2. Press .
3. Press and hold  and **Start** until  and  flash.

4. Release buttons.

5. Press **>** repeatedly until **S** and ***** flash.

6. **<** repeatedly until the required level has been selected.

0, 1, 2 or 3 LEDs will light up accordingly. The signal tone selected will be heard.

The factory setting is level 2 (LED A and LED B).

7. Press to save the setting.

The LEDs go out.

8. Close the appliance door.

Cleaning and servicing

To keep your appliance working efficiently for a long time, it is important to clean and maintain it carefully.

Cleaning the tub

WARNING Risk of harm to health!

Using detergents containing chlorine may result in harm to health.

Never use detergents containing chlorine.

1. Remove any coarse soiling in the interior with a damp cloth.
2. Add detergent to the detergent dispenser.
3. Select the programme with the highest temperature.
4. Start the programme without tableware.

Self-cleaning interior

To remove deposits, the appliance self-cleans the interior at regular intervals.

The programme sequence is automatically adjusted for self-cleaning, e.g. the cleaning temperature is briefly increased. Consumption values, e.g. water and electricity, may also increase.

Cleaning products

Only use suitable cleaning products to clean your appliance.

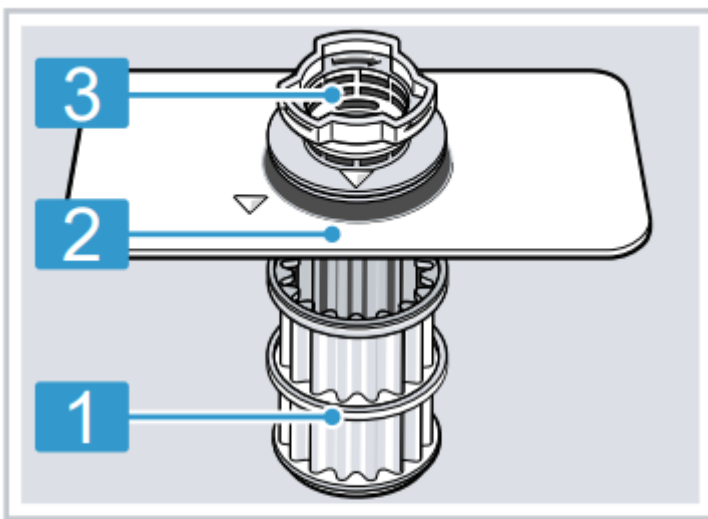
Tips on appliance care

Follow the tips on appliance care to make sure your appliance functions properly at all times.

| Action | Benefit |
|--|---|
| Wipe the door seals, the front of the dishwasher and the control panel regularly using a damp cloth and washing-up liquid. | This ensures the parts of the appliance will remain clean and hygienic. |
| If the appliance is not going to be used for a while, leave the door slightly ajar. | This will prevent unpleasant odours. |

Filter system

The filter system removes coarse soiling from the dishwashing cycle.



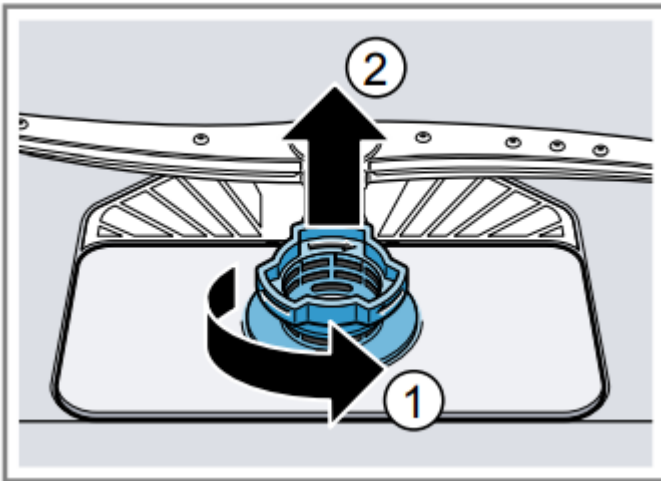
- | | |
|---|---------------|
| 1 | Micro filter |
| 2 | Fine filter |
| 3 | Coarse filter |

Cleaning filters

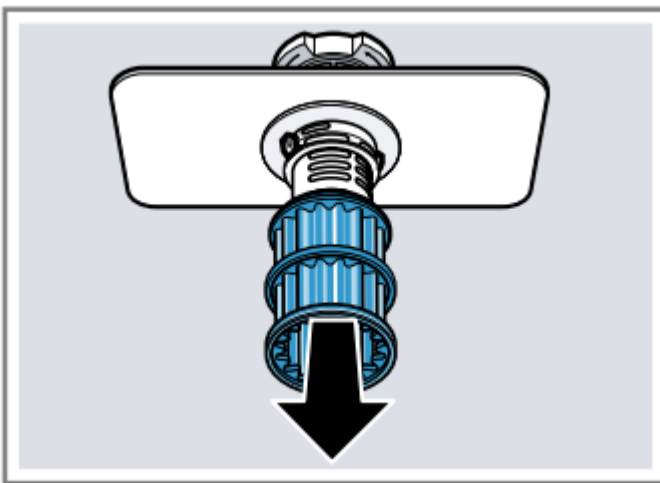
Soiling in the dishwashing water may block the filters.

1. After each wash check the filters for residue.
2. Turn the coarse filter anticlockwise (1) and remove the filter system (2).

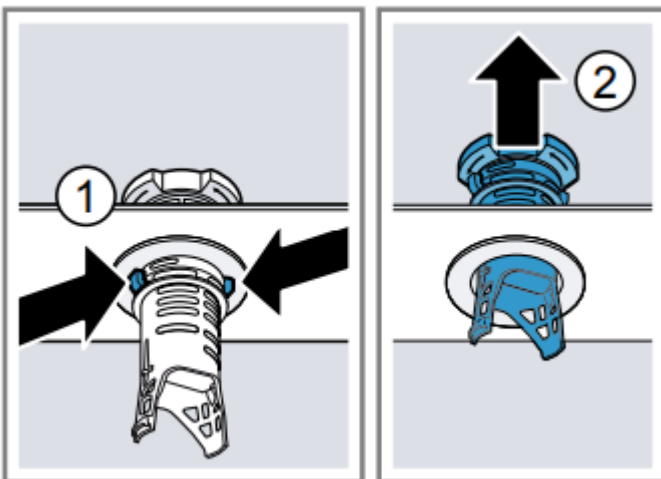
Check that no foreign objects fall into the sump.



3. Pull down the micro filter to remove.



4. Press the locking catches (1) together and lift the coarse filter out (2).



5. Clean the filter elements under running water. Carefully clean the rim of dirt between the coarse and the fine filter.

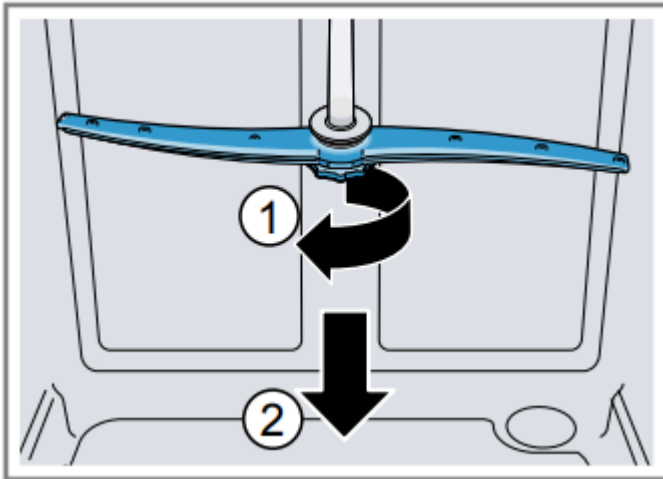
6. Re-assemble the filter system. Make sure that the locking catches on the coarse filter click into position.

7. Insert the filter system into the appliance and turn the coarse filter clockwise. Make sure that the arrow markings match up.

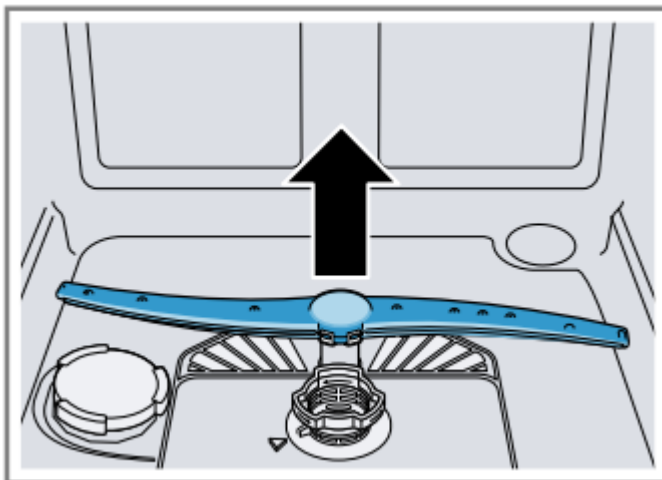
Cleaning spray arms

Limescale and soiling in the dishwashing water may block the nozzles and bearings on the spray arms. Clean the spray arms regularly.

1. Unscrew the upper spray arm (1) and pull down to remove (2).



2. Pull up the lower spray arm to remove.



3. Check the outlet nozzles on the spray arms for blockages under running water and remove any foreign bodies.

4. Insert the lower spray arm.

The spray arm clicks into position.

5. Insert the upper spray arm and screw it firmly in place.

Troubleshooting

WARNING Risk of electric shock!

Improper repairs are dangerous.

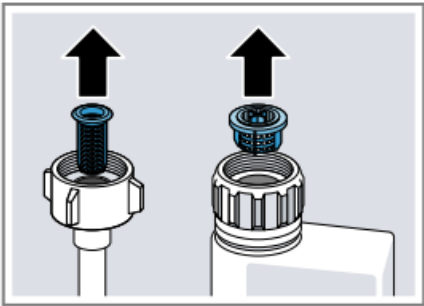
- Repairs to the appliance should only be carried out by trained specialist staff.
- Only use genuine spare parts when repairing the appliance.
- If the power cord of this appliance is damaged, it must be replaced with a special connection cable, which is available from the manufacturer or his Customer Service.

Appliance safety

| Fault | Cause | troubleshooting |
|--|-------------------------------|--------------------------|
| Appliance door will not open or cannot be opened easily. | Childproof lock is activated. | Open the appliance door. |

Error code / Fault display / Signal



| Fault | Cause | troubleshooting |
|------------------------------------|--|---|
| Display for water supply lights up | Supply hose is kinked. | Install the supply hose without kinks. |
| | Water tap is turned off. | Turn on the water tap. |
| | Water tap is jammed or furred up. | Turn on the water tap. |
| | Filter in the water supply is blocked. | <ol style="list-style-type: none"> 1. Switch off the appliance. 2. Pull out the mains plug. 3. Turn off the water tap. 4. Unscrew the water connection. 5. Remove the filter from the supply hose  <ol style="list-style-type: none"> 6. Clean the filter. 7. Re-insert the filter in the supply hose. 8. Screw the water connection back on. 9. Check the water connection for leaks. 10. Restore the power supply. 11. Switch the appliance on. |
| | Filters are soiled or blocked. | Clean the filters. |
| | Wastewater hose is blocked or kinked. | <ol style="list-style-type: none"> 1. Reposition the wastewater hose without kinks. 2. Remove residues. |

| | | |
|--------------------------------------|--|--|
| | Siphon connection is still sealed. | Check the connection to the siphon and open if necessary. |
| | Cover of the wastewater pump is loose. | Secure the cover of the Wastewater pump |
| Display "Check water supply" flashes | A technical fault is present | <ol style="list-style-type: none"> 1. Press ①. 2. Unplug the appliance or switch off the fuse. 3. Wait at least 2 minutes. 4. Insert the mains plug of the appliance in a socket or switch on the fuse. 5. Switch the appliance on. 6. If the problem occurs again: Press ①. Turn off the water tap. Pull out the mains plug. Contact Customer Service |
| Displays flash | Appliance door is not closed properly. | <p>Close the appliance door.</p> <p>Arrange the tableware so that no parts project beyond the basket and prevent the appliance door from closing properly.</p> |

Washing results

| Fault | Cause | troubleshooting |
|-------------------------------|--|--|
| Tableware is not dry. | No rinse aid used or dosage set too low. | <ol style="list-style-type: none"> 1. Add Rinse aid 2. Set the amount of rinse aid to be dispensed. |
| | Selected programme has no drying phase | Select a programme with drying. |
| | Water collects in recesses of the tableware or cutlery | Position tableware at an angle where possible. <div data-bbox="997 707 1382 983" style="text-align: center;"> </div> |
| | The combined detergent used has a poor drying performance. | <ol style="list-style-type: none"> 1. Use rinse aid to improve drying performance. 2. Use a different combined detergent with a better drying performance. |
| | Extra Dry not activated to improve drying performance. | Activate Extra Dry. |
| | Tableware removed too early or drying process not yet ended. | <ol style="list-style-type: none"> 1. Wait until the programme ends. 2. Only remove tableware 30 minutes after the programme has ended. |
| | Rinse aid used has a limited drying performance. | Use a name-brand rinse aid. Eco products may have limited effectiveness. |
| Plastic tableware is not dry. | Not a fault. As plastic does not store heat so well, it also does not dry as well. | No remedial action possible. |

| | | |
|--|--|--|
| Cutlery is not dry. | Cutlery not arranged properly in the cutlery basket or cutlery drawer. | <ol style="list-style-type: none"> 1. Arrange the cutlery properly. 2. Arrange cutlery individually where possible. 3. Avoid points of contact. |
| Appliance interior still wet after wash cycle. | Not a fault. The condensation drying principle causes water droplets in the tub – they are indeed desirable here. The moisture in the air condenses on the inside walls, runs off and is pumped out. | No action required. |
| Remnants of food on tableware. | Tableware was placed too close together. | <ol style="list-style-type: none"> 1. Arrange tableware with sufficient space in between. The spray jets must reach the surfaces of the tableware. 2. Avoid points of contact. |
| | Basket is overfilled. | <ol style="list-style-type: none"> 1. Arrange tableware with sufficient space in between. The spray jets must reach the surfaces of the tableware. 2. Avoid points of contact. |
| | Spray arm rotation is blocked. | Arrange tableware so that it does not obstruct spray arm rotation. |
| | Spray arm nozzles are blocked. | Clean the Spray arms |
| | Filters are soiled. | Clean the filters. |
| | Filters are inserted incorrectly and/or not engaged. | <ol style="list-style-type: none"> 1. Insert the filters properly. 2. Engage the filters. |
| | Washing programme selected too weak. | <p>Select a more intensive washing programme.</p> <p>Adjust the sensitivity of the sensors.</p> |

| | | |
|---|---|--|
| | Tableware has been precleaned too intensely. The sensors chose a weaker programme. Stubborn soiling cannot be entirely removed. | Only remove large remnants of food and do not prerinse tableware. |
| | Tall narrow receptacles in corner areas are not rinsed adequately. | Do not position tall narrow receptacles at too great an angle or in corner areas. |
| | Top baskets on right and left are not set to same height. | Set the top baskets on the left and right to the same level. |
| Detergent residue in the appliance | Lid of the detergent dispenser is blocked by items of tableware parts and will not open. | <ol style="list-style-type: none"> 1. Arrange tableware in the top basket tableware so the tab collecting tray is not obstructed by tableware. 2. Do not place tableware or fragrance dispensers in the tablet collecting tray |
| | The lid of the detergent dispenser is blocked by the tab and will not open. | Position the tab in the detergent dispenser crosswise, not vertically. |
| | Tabs are used in the quick or short programme. Dissolving time of the tab is not attained. | Select a more intensive Programme or use Powder detergent |
| | Washing effect and dissolving performance are reduced after a prolonged storage time or detergent is very lumpy. | Change your detergent |
| Water marks on plastic parts. | Due to laws of physics droplet formation on plastic surfaces is unavoidable. After drying water marks are visible. | <p>Select a more intensive programme.</p> <p>Position tableware at an angle.</p> <p>Use rinse aid.</p> <p>Set the water softening system higher.</p> |
| Wipeable or water-soluble coatings are present inside the | Detergent substances are deposited there. These coatings cannot generally be removed with chemicals. | <p>Change your detergent</p> <p>Clean the appliance mechanically</p> |

| | | |
|---|--|--|
| appliance or on the door. | White coating is deposited in the appliance interior. | <p>1. Set the water softening system correctly.</p> <p>In most cases you will need to increase the setting.</p> <p>2. Change your detergent if required.</p> |
| | Special salt dispenser is not screwed tight. | Screw the special salt dispenser tight. |
| Stubborn white coatings are present on tableware, inside the appliance or the door. | Detergent substances are deposited there. These coatings cannot generally be removed with chemicals. | <p>Change your detergent</p> <p>Clean the appliance mechanically.</p> |
| | The hardness range is set incorrectly or the water hardness is greater than 44 °E (6,2 mmol/l). | Set the Water softening system to the water hardness or add special salt. |
| | 3in1/organic/eco detergent is not effective enough. | Set the Water softening system to the water hardness and use separate detergents (proprietary detergent, special salt, rinse aid). |
| | Too little detergent is being used. | Increase the amount of detergent used or change Detergent |
| | Washing programme selected too weak. | <p>Select a more intensive washing programme.</p> <p>Adjust the sensitivity of the sensors.</p> |
| Tea residue or lipstick marks on tableware. | Washing temperature is too low. | Select a programme with a higher washing temperature. |
| | Too little detergent is being used or is unsuitable. | Use a suitable Detergent and follow the manufacturer's instructions for the amount to be used. |
| | Tableware has been precleaned too intensely. The sensors chose a weaker | Only remove large remnants of food and do not prerinse tableware. |

| | | |
|--|--|--|
| | programme. Stubborn soiling cannot be entirely removed. | |
| Coloured coatings (blue, yellow, brown) that are difficult or impossible to remove are present inside the appliance or on stainless steel tableware. | The formation of films is due to substances contained in vegetables (cabbage, celery, potatoes, noodles, etc.) or tap water (manganese). | Clean the appliance. You can remove deposits with Mechanical cleaning or a machine cleaning product. It may not always be possible to completely remove deposits but they are harmless to health. |
| | The formation of films is due to metal components on silver or aluminium tableware. | Clean the appliance. You can remove deposits with Mechanical cleaning or a machine cleaning product. It may not always be possible to completely remove deposits but they are harmless to health. |
| Coloured deposits (yellow, orange, brown) that are easy to remove are present inside the appliance (mainly at the bottom). | The formation of films is due to ingredients of food remnants and tap water (limescale) "soaplike". | 1. Check the setting of the water softening system. 2. Add special salt. 3. If you are using combined detergents (tabs), activate the water softening system. Follow the information about detergents. |
| Plastic parts inside the appliance are discoloured. | Plastic parts inside the appliance may become discoloured during the life of the dishwasher. | Discolouration can come about and will not impair functioning of the appliance. |
| Plastic parts are discoloured. | Washing temperature is too low. | Select a programme with a higher washing temperature. |
| | Tableware has been precleaned too intensely. The sensors chose a weaker programme. Stubborn soiling cannot be entirely removed. | Only remove large remnants of food and do not pre-rinse tableware. |

| | | |
|---|--|--|
| Removable streaks are present on glasses, glassware with a metallic appearance and cutlery. | Amount of rinse aid to be dispensed is set too high. | Set the rinse aid system to a lower setting. |
| | No rinse aid has been added. | Adding rinse aid |
| | Detergent residue is present in the final rinse. Lid of the detergent dispenser is blocked by tableware items and will not open fully. | <p>1. Arrange tableware in the top basket tableware so the tab collecting tray is not obstructed by tableware.</p> <p>Items of tableware are blocking the dispenser lid.</p> <p>2. Do not place tableware or fragrance dispensers in the tablet collecting tray</p> |
| | Tableware has been precleaned too intensely. The sensors chose a weaker programme. Stubborn soiling cannot be entirely removed. | <p>Only remove large remnants of food and do not prerinse tableware.</p> <p>Adjust the sensitivity of the sensors.</p> |
| Irreversible clouding of glassware. | Glasses are not dishwasherproof, only suitable for dishwashers. | <p>Use dishwasher-proof glasses.</p> <p>Avoid a lengthy steam phase (standing time after wash cycle ends).</p> <p>Use a programme with a lower temperature.</p> <p>Set the softening system to the water hardness.</p> <p>Use detergent with a glass protection component.</p> |
| Rust spots on cutlery. | Cutlery is not sufficiently rust-resistant. Knife blades are often more severely affected. | Use rust-resistant tableware. |
| | Cutlery may also rust if washed together with rusting items. | Do not wash rusting items. |
| | Salt content in washing water is too high. | 1. Remove any spilled special salt from the tub. |

| | | |
|--|---|--|
| | | 2. Screw the cap of the special salt dispenser on tight. |
| Detergent residue is present in the detergent dispenser or the tablet collecting tray. | Spray arms were blocked by tableware so detergent was not rinsed out. | Check that the spray arms are not blocked and can rotate freely. |
| | Detergent dispenser was damp when detergent was added. | Only add detergent to a detergent dispenser when dry. |
| Excessive formation of foam occurs. | Hand washing-up liquid is present in dispenser for rinse aid. | Immediately add rinse aid to the dispenser. |
| | Rinse aid has been spilled. | Remove the rinse aid with a cloth. |
| | Detergent or appliance care product used causes excessive foaming. | Change the brand of detergent. |

Information on display panel

| Fault | Cause | troubleshooting |
|--|--|---|
| Special salt refill indicator lights up. | Insufficient special salt. | Add Special salt |
| | Sensor does not detect special salt tablets. | Do not use special salt tablets. |
| Refill indicator for special salt does not light up. | Water softening system is switched off. | Setting water softening system |
| Refill indicator for rinse aid lights up. | Insufficient rinse aid. | 1. Add Rinse aid 2. Set the amount of rinse aid to be dispensed. |
| Refill indicator for rinse aid does not light up. | Rinse aid system is switched off. | Setting the amount of rinse aid |

Malfunctions

| Fault | Cause | troubleshooting |
|---|---|--|
| Water is left in the appliance at the end of the programme. | Filter system or area under the filters is blocked. | <ol style="list-style-type: none"> 1. Clean the Filters 2. Clean the Wastewater pump |
| | Programme has not yet ended. | Wait until the programme ends or cancel the programme with reset. |
| Appliance cannot be switched on or operated. | Appliance functions have failed. | <ol style="list-style-type: none"> 1. Pull out the mains plug or switch off the fuse. 2. Wait at least 2 minutes. 3. Connect the appliance to the power supply. 4. Switch the appliance on |
| Appliance does not start. | The mains fuse has tripped. | Check the relevant fuse. |
| | Mains cable is not inserted. | <ol style="list-style-type: none"> 1. Check whether the socket works. 2. Check whether the mains cable is properly inserted in the socket and on the rear of the appliance. |
| | Appliance door is not closed properly. | Close the appliance door. |
| Programme starts automatically. | You did not wait until programme ended. | Terminate programme |
| Appliance stops during the programme or cuts out. | Appliance door is not closed properly. | Close the appliance door. |
| | Power and/or water supply has been interrupted. | <ol style="list-style-type: none"> 1. Check the power supply. 2. Check the water supply |
| | Top basket is pressing against inner door and | |

| | | |
|--|---|--|
| | preventing appliance door from being closed securely. | <p>Check whether the rear panel of the appliance is being pressed in by a socket or hose holder that has not been removed.</p> <p>Arrange the tableware so that no parts project beyond the basket and prevent the appliance door from closing properly.</p> |
|--|---|--|

Mechanical damage

| Fault | Cause | troubleshooting |
|--|---|--|
| Appliance door cannot be closed. | Door lock has been activated. | Close the appliance door with greater force. |
| | Door cannot be closed due to installation method. | <p>Check whether the appliance has been installed properly.</p> <p>When closed, the appliance door, its decor or attached parts should not knock against adjacent cabinets or the worktop.</p> |
| Lid on the detergent dispenser cannot be closed. | Detergent dispenser or lid are blocked by sticky detergent residue. | Remove detergent residue. |



Noise

| Fault | Cause | troubleshooting |
|--|--|---|
| Filling valves making knocking noises. | Caused by the domestic installation. No appliance fault present. Does not affect functioning of the appliance. | Can only be remedied in the domestic installation. |
| Knocking or rattling noise. | Spray arm is striking tableware. | Arrange tableware so that the spray arms do not strike tableware. |
| | With a small load the water jets directly strike against the tub. | Distribute the tableware evenly. Load the appliance with more tableware. |
| | Light items of tableware move about during the wash cycle. | Position light items of tableware securely. |

Clean wastewater pump

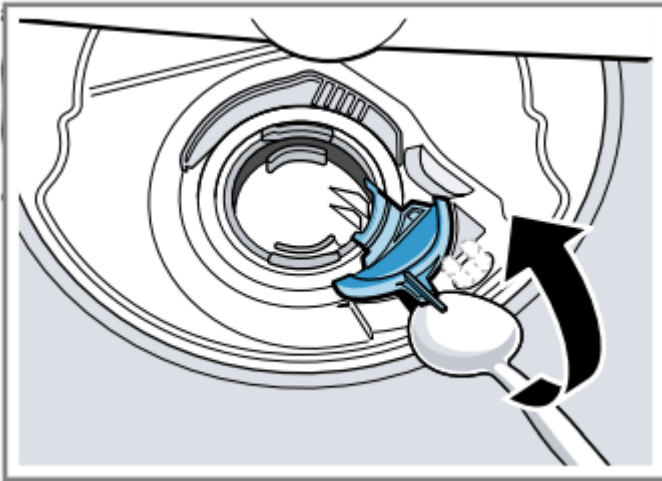
Large remnants of food or foreign bodies can block the wastewater pump. As soon as the washing water no longer drains properly, the wastewater pump must be cleaned.

WARNING Risk of injury!

Sharp and pointed objects or fragments of glass may block the waste water pump and cause injury.

Remove any foreign bodies carefully.

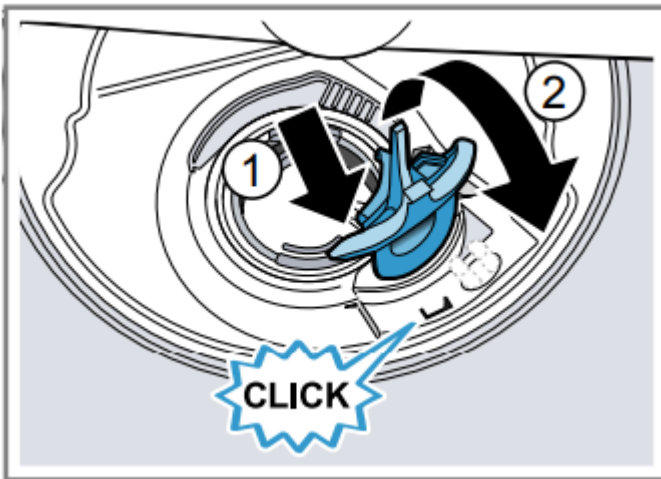
1. Disconnect the appliance from the power supply.
2. Remove the top and bottom basket.
3. Remove the filter system.
4. Scoop out any water. Use a sponge if necessary.
5. Prise off the pump cover using a spoon and grip it by the crosspiece.



6. Lift the pump cover inwards at an angle and remove.

7. Remove any remnants of food and foreign bodies in the area of the impeller.

8. Insert the pump cover (1) and press down (2).



The pump cover clicks into position.

9. Install the filter system.

10. Insert the top and bottom basket.

Warning

This content is compiled from multiple sources and is provided for reference purposes only. It may not be complete or fully applicable to all situations. If you are unable to resolve your issue, please contact the product manufacturer or an authorized service provider for official support.