

Intended use

This appliance is intended for domestic use only. This appliance is intended for use up to a maximum height of 2000 metres above sea level. Only use this vacuum cleaner in accordance with the instructions in this instruction manual.

In order to prevent injuries and damage, the vacuum cleaner must not be used for:

- Vacuum-cleaning persons or animals
- Vacuuming up:
 - hazardous, sharp-edged, hot or glowing substances.
 - damp or liquid substances.
 - highly flammable or explosive substances and gases.
 - ash, soot from tiled stoves and central heating systems.
 - toner dust from printers and copiers.

Spare parts, accessories

Our original spare parts and original (special) accessories are designed to work with the features and requirements of our vacuum cleaners. We therefore recommend that you only use our original spare parts and original (special) accessories. This will ensure that your vacuum cleaner has a long service life and that the quality of its cleaning performance will remain consistently high throughout.

Please note:

Using unsuitable or inferior-quality spare parts and (special) accessories can damage your vacuum cleaner. Damage caused by the use of such products is not covered by our guarantee.

Safety information

This vacuum cleaner complies with the recognised rules of technology and the relevant safety regulations.

- The appliance may be used by children over the age of 8 years and by persons with reduced physical, sensory or mental capacity or by persons with a lack of experience or knowledge if they are supervised or have been instructed on the safe use of the appliance and they have understood the potential dangers of using the appliance.
- Children must never play with the appliance.

- Cleaning and user maintenance must never be carried out by children without supervision.
- Plastic bags and films must be kept out of the reach of children before disposal. =>Risk of suffocation.

Proper use

- Only connect and use the vacuum cleaner in accordance with the specifications on the rating plate.
- Never vacuum without the dust container, motor protection or exhaust filter.
- >This may damage the vacuum cleaner.
- Always keep the vacuum cleaner away from your head when using nozzles and tubes.
- >This could cause injury!
- When vacuuming stairs, the appliance must always be positioned below the user.
- Do not use the power cord or the hose to carry or transport the vacuum cleaner.
- For safety reasons, if this appliance's mains power cable becomes damaged, it must be replaced by the manufacturer, their after-sales service department or a similarly qualified person.
- If using the appliance for longer than 30 minutes, pull out the power cord completely.
- When disconnecting the appliance from the mains, pull on the plug itself to remove it; do not pull on the power cord.
- Do not pull the power cord over sharp edges or allow it to become trapped.
- When the cable is being automatically rewound, ensure that the mains plug is not thrown towards persons, body parts, animals or objects.
- > Use the mains plug to guide the power cord.
- Pull out the mains plug before carrying out any work on the vacuum cleaner.
- Do not operate the vacuum cleaner if it is damaged. Unplug the appliance from the mains if a fault is detected.
- For safety reasons, only authorised aftersales service personnel are permitted to carry out repairs and fit replacement parts to the vacuum cleaner.
- Protect the vacuum cleaner from the weather, moisture and sources of heat.
- Do not pour flammable substances or substances containing alcohol onto the filters (motor protection filter, exhaust filter, etc.).
- The vacuum cleaner is not suitable for use on construction sites.

- > Vacuuming up building rubble could damage the appliance.
- When not in use. switch off the appliance and pull out the mains plug.
- At the end of its life, the appliance should immediately be rendered unusable, then disposed of in an appropriate manner.

Please note

The mains socket must be protected by at least a 16 amp circuit breaker.

If a circuit breaker is tripped when you switch on the vacuum cleaner, this may be because other electrical appliances which have a high current draw are connected to the same power circuit.

To prevent the circuit breaker from tripping, select the lowest power setting before switching the appliance on. and increase the power only once it is running.

Disposal information

Packaging

The packaging is designed to protect the vacuum cleaner from being damaged during transportation. It is made of environmentally friendly materials and can therefore be recycled. Dispose of packaging that is no longer required at an appropriate recycling point.

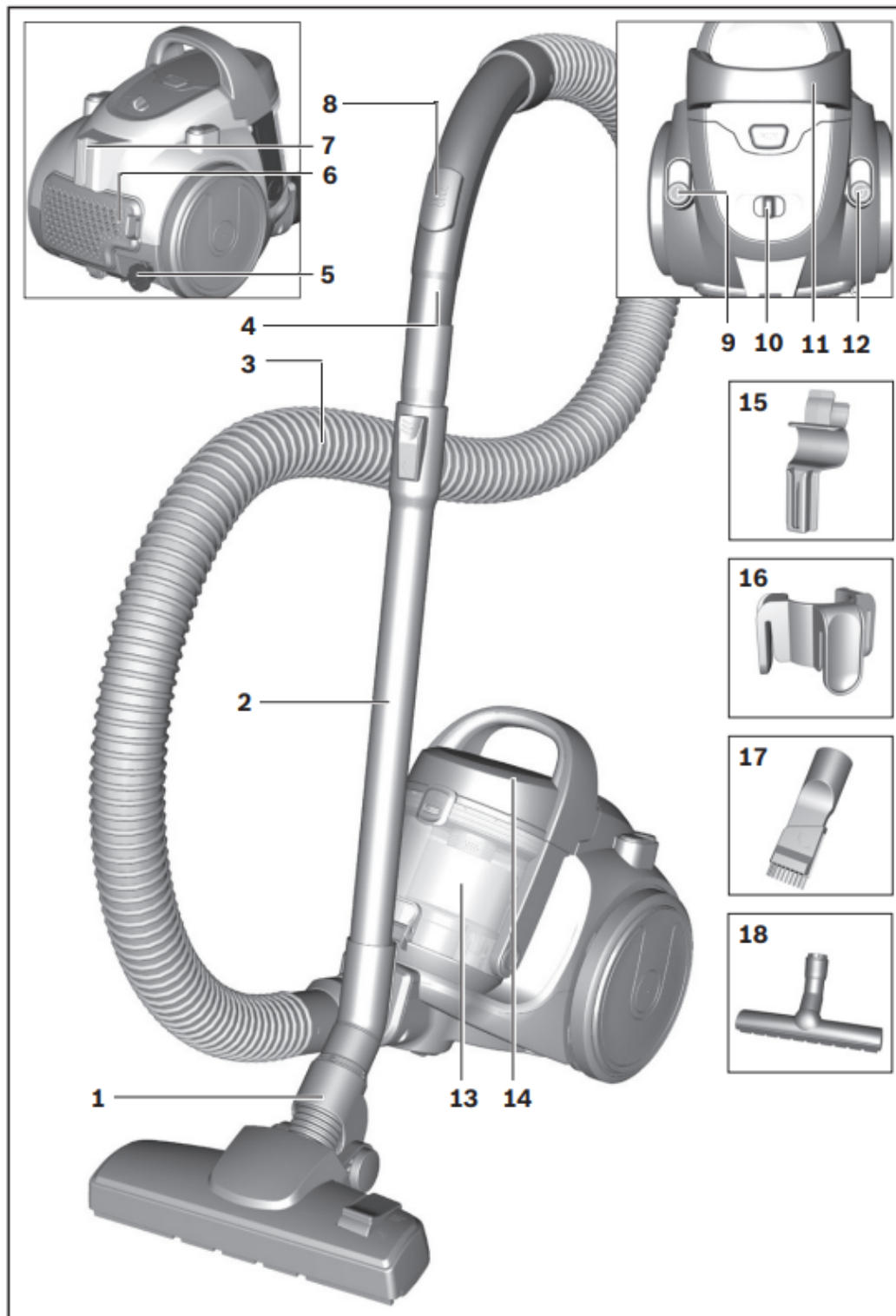
Old appliance

Old appliances still contain many valuable materials. Therefore, please take appliances that have reached the end of their service life to your retailer or recycling centre so that they can be recycled. For current disposal methods, please enquire at a retailer or your local council.

Disposal of filters

Filters are manufactured from environmentally friendly materials. Provided they do not contain substances that are not permitted in household waste, you can dispose of them with your normal household waste.

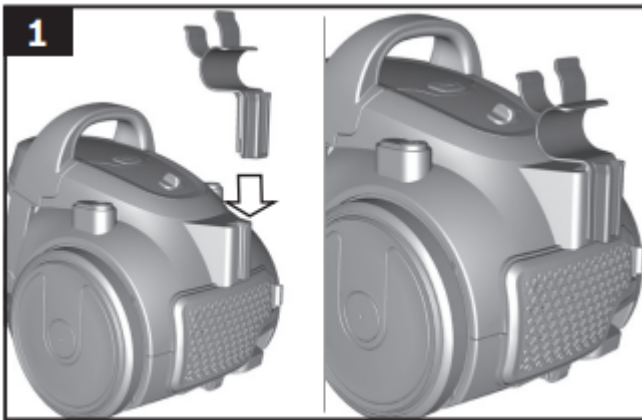
Your vacuum cleaner



1. Switchable floor nozzle* (the appearance of the nozzle may differ from the picture but the nozzle will function in the same way)
2. Telescopic tube with sliding switch
3. Suction hose

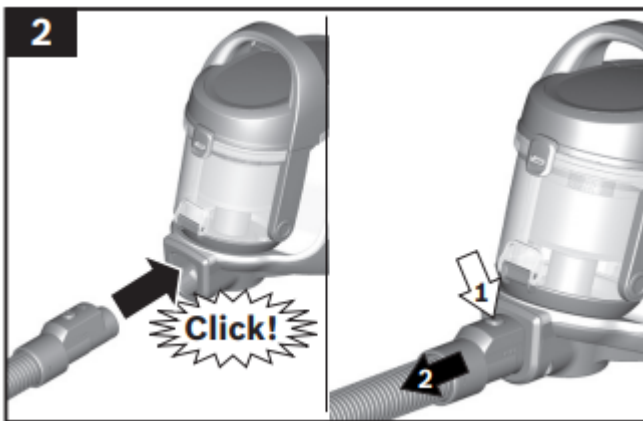
4. Handle
5. Mains cable
6. Exhaust filter
7. Stand on the rear of the appliance
8. Auxiliary air control switch
9. On/Off button
10. Suction power control slider*
11. Carrying handle
12. Cable rewind button
13. Dust container
14. Motor protection filter + Foam filter
15. Stand adapter with hose clip
16. Accessory holder
17. 2 in-1 accessory
18. Hard-floor nozzle*

Before using the appliance for the first time

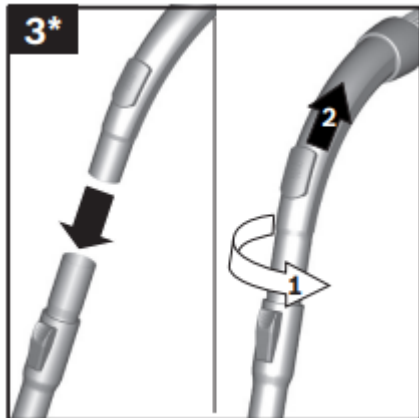


- Slot the adapter into the stand on the rear of the appliance.

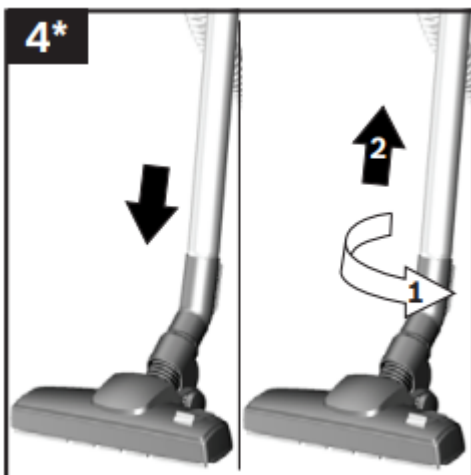
Starting the appliance



- Push the suction-hose adapter into the air intake opening on the appliance and lock it in place. You will hear an audible 'click'.
- To remove the hose, press the button on the top and pull the hose out of the appliance.

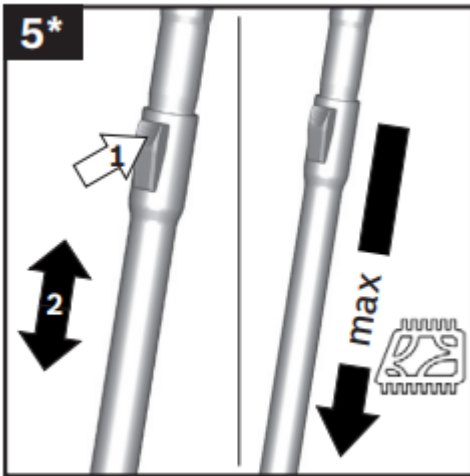


- Push the handle into the telescopic tube.
- To release the connection, turn the handle slightly and pull it out of the telescopic tube.

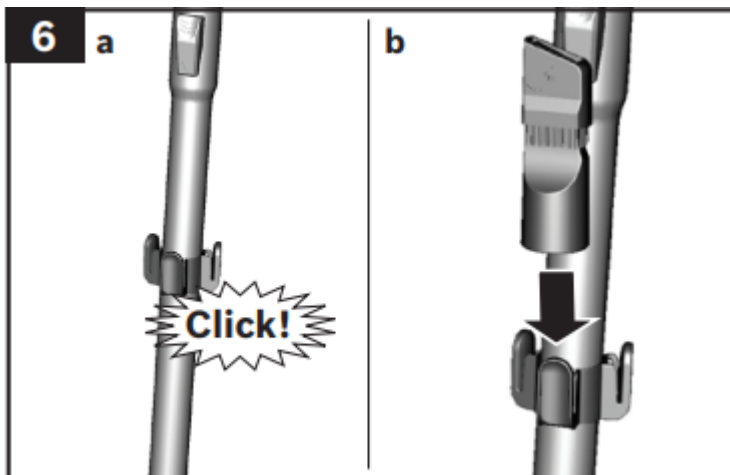


- Push the telescopic tube into the connection port on the floor nozzle.

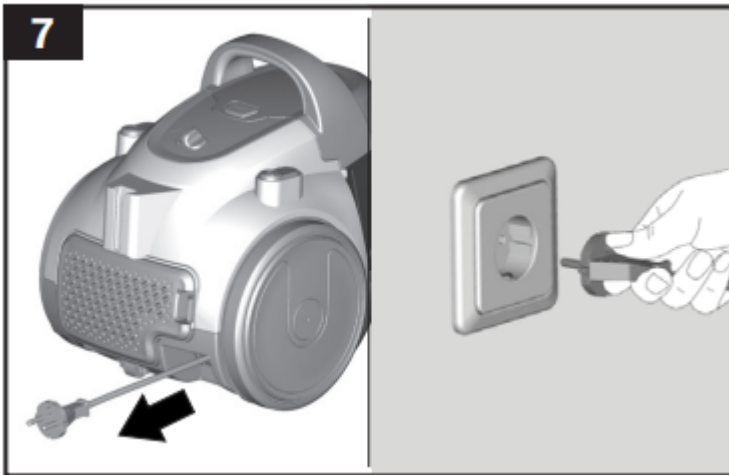
- To release the connection, turn the telescopic tube slightly and pull it out of the floor nozzle.



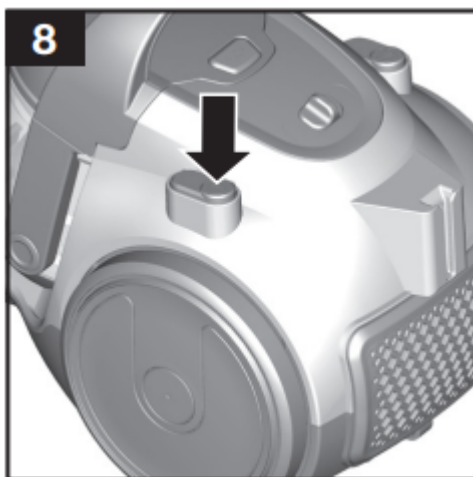
- Release the telescopic tube by moving the sliding switch in the direction of the arrow, and adjust it to the desired length. The slide resistance on carpet is at its lowest when the telescopic tube has been fully extended.



- a) Place the accessory holder in the required position on the telescopic tube.
- b) Use some pressure to insert the 2-in-1 accessory from above into the accessory holder.



- Holding the mains cable by the plug, pull it out to the required length and plug the plug into the mains socket.



- To switch the vacuum cleaner on or off, press the on/off button.

Controlling the suction power



If your appliance has a power control switch, the power can be adjusted continuously by sliding the power control switch:

- Low power range => min.

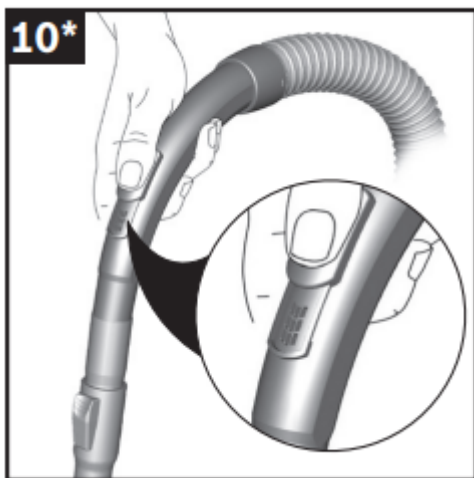
For vacuuming delicate materials, e.g. delicate upholstery, curtains, etc.

- Medium power range

For daily vacuuming of floors that are only slightly dirty.

- High power range => max.

For vacuuming durable floor coverings, hard floors and very dirty floors.



The suction power can also be adjusted by sliding the auxiliary air control switch in the direction of the arrow.

- Auxiliary air control switch open => suction power reduced
- Auxiliary air control switch closed => maximum suction power



Vacuum-cleaning

| Please note

- Floor nozzles are subject to a certain amount of wear, depending on the type of hard floors you have (e.g. rough, rustic tiles). You should therefore check the underside of the floor nozzles at regular intervals. Worn undersides of floor nozzles may have sharp edges that can damage delicate hard floors, such as parquet or linoleum. The manufacturer does not accept any responsibility for damage caused by worn floor nozzles.



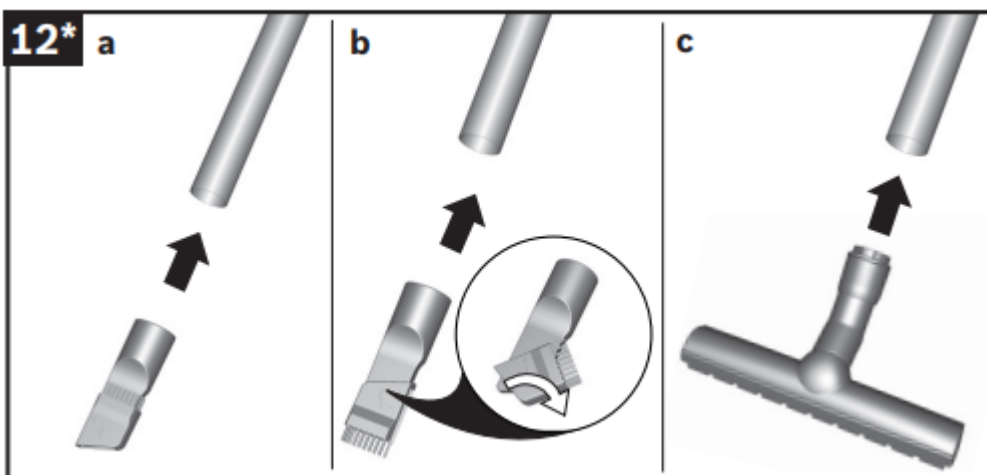
Set the switchable floor nozzle as follows:

- Rugs and carpets => 
- Hard floors/parquet => 

If you are vacuuming up relatively large particles, make sure that you vacuum them up successively and carefully to ensure that the floor nozzle's air intake duct does not become blocked.

If necessary, you should lift up the nozzle in order to better vacuum up the dirt particles.

Vacuuming with accessories



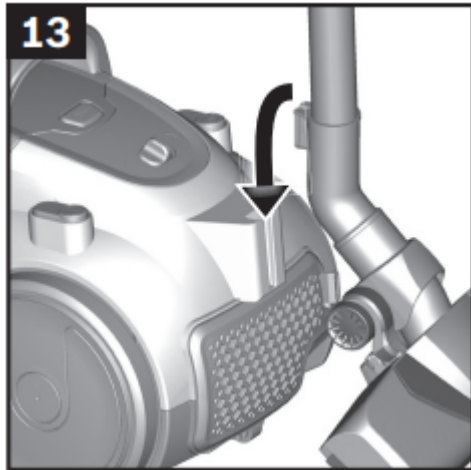
Attach the nozzles to the suction pipe or handle as required:

a) Crevice nozzle for vacuuming crevices and corners, etc.

b) Furniture brush for vacuum-cleaning window frames, cupboards, etc.

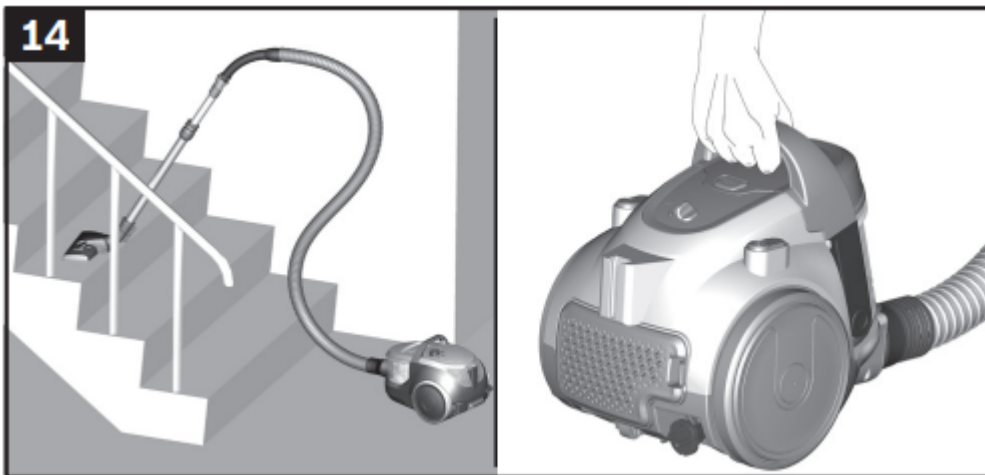
- To use the furniture brush, turn the accessory round so that the bristles are at the bottom

c) Hard-floor nozzle for vacuuming hard floor coverings (tiles, parquet flooring, etc.)



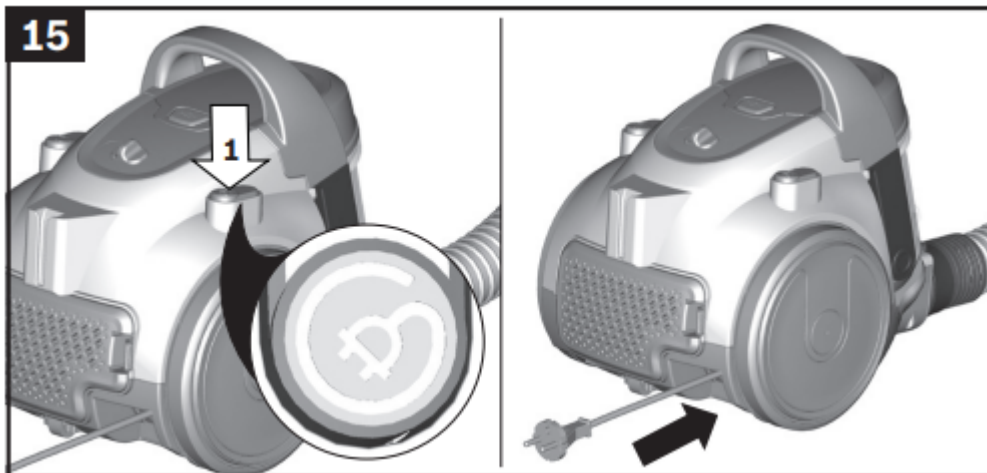
You can use the stand on the rear of the appliance if you wish to stop vacuuming for a short time.

- After switching off the appliance, slide the hook on the floor nozzle into the stand.

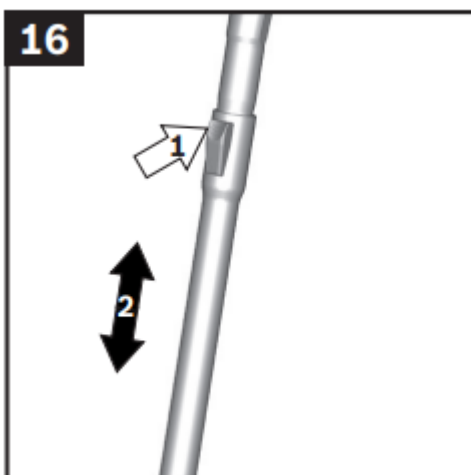


When vacuuming stairs, the appliance must be positioned at the bottom of the stairs. If it does not reach far enough, the appliance can also be carried using the carrying handle.

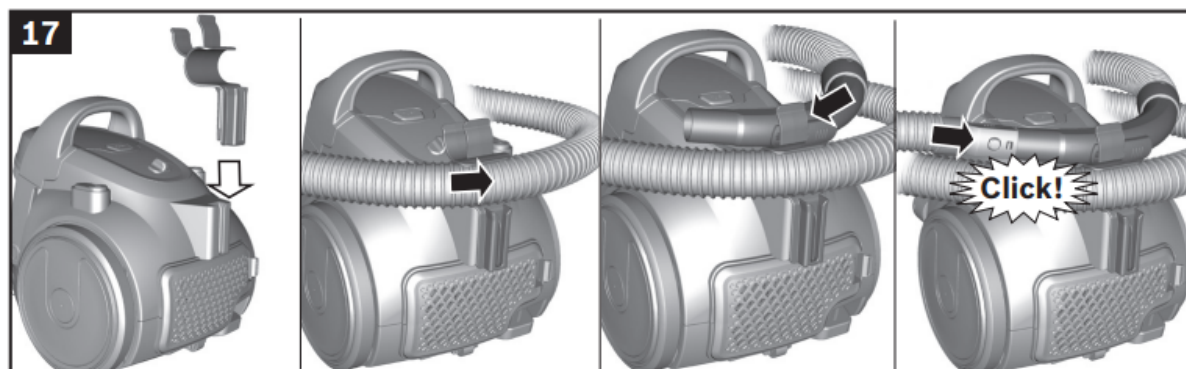
After vacuuming



- Switch off the appliance.
- Unplug the mains plug.
- Press the cable rewind button to reel in the cable.



- Release the telescopic tube by moving the sliding switch in the direction of the arrow, and slide one tube into the other.



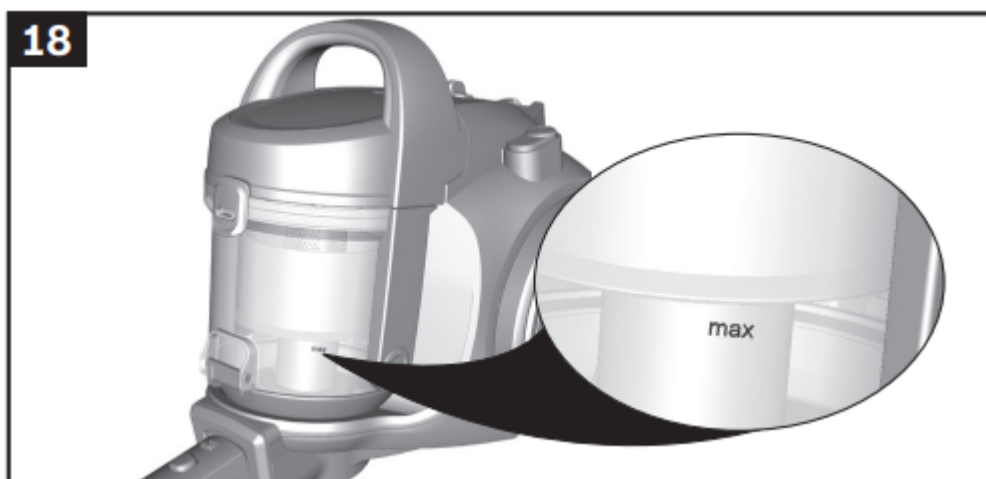
To pack the appliance away, pull the handle out of the telescopic tube (Fig. 3).

- Slot the adapter into the stand on the rear of the appliance.

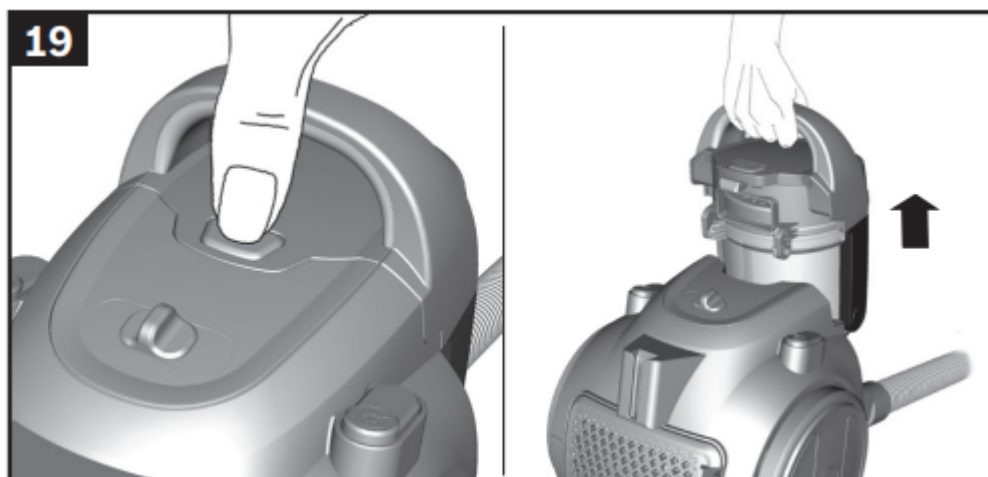
- Coil the suet on hose around the appliance and secure it in the bottom clamp in the hose clip.
- Coil the suet on hose around the appliance a second time and secure the handle in the top clasp in the hose clip.
- Finally, release the suction adapter, pull it out of the appliance and clip it onto the handle (Fig. 2)

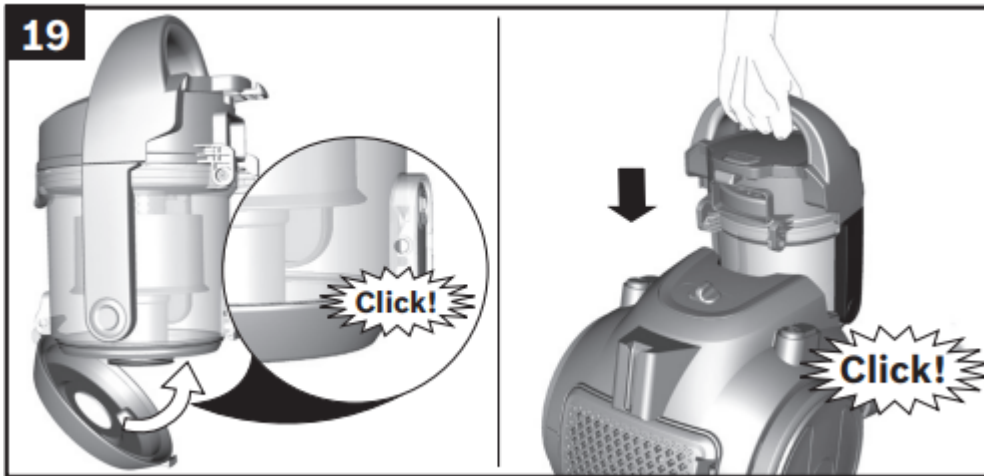
Cleaning and care

Emptying the dust container



In order to achieve the best possible vacuuming results, the dust container should be emptied after every use or, at the latest, when dust at one point in the container has reached the mark.





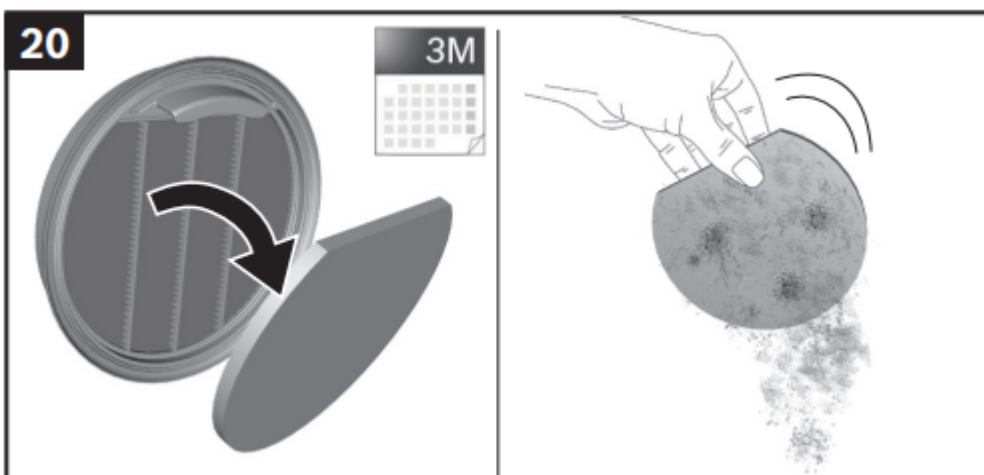
- Press the release button to release the dust container, and take hold of the handle to remove it from the appliance.
- Hold the dust container over the dustbin and press the release button to release the bottom cover, the dirt and dust will then fall straight into the bin.
- Close and lock the bottom cover.
- Insert the dust container into the appliance and lock it in place.

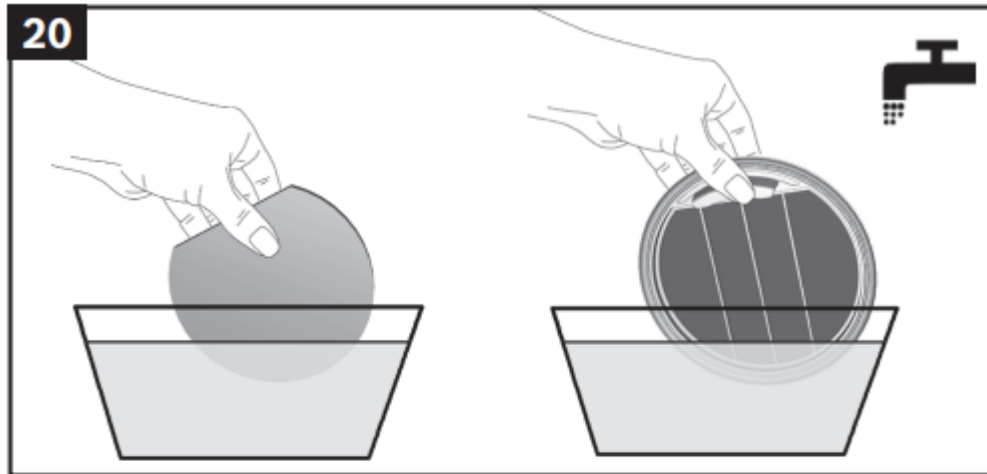
Maintaining the dust-separation system

To keep them in good working order, the filters should be cleaned at least every 3 months.

Cleaning the filter in the dust container

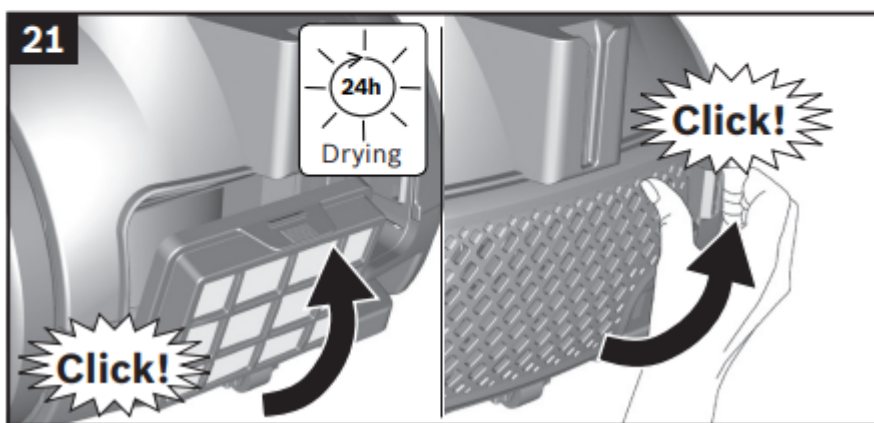
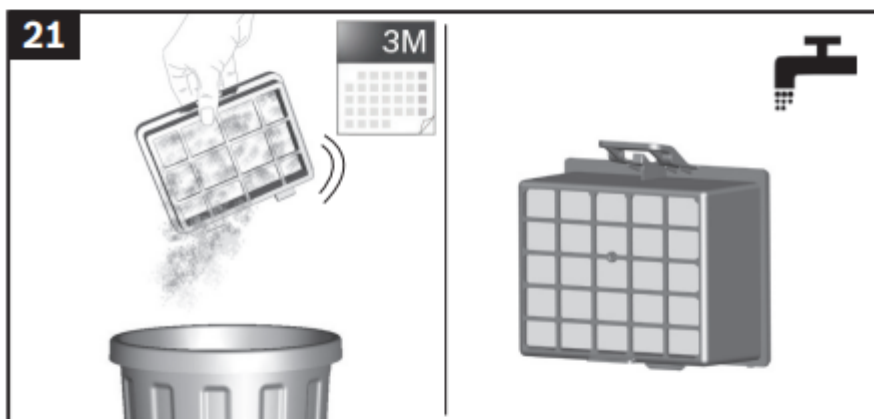
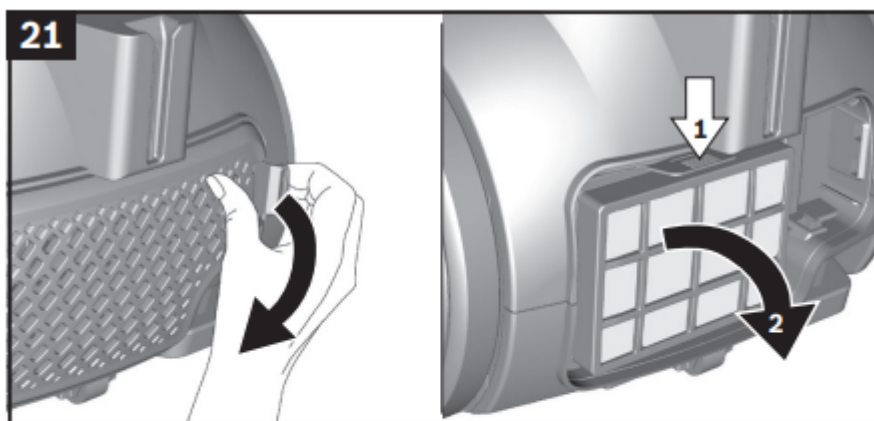
- Switch off the appliance.





- Open the lid on the dust container by pulling on the lower catch.
- Remove the frame with the filter from the lid.
- Remove the filter foam from the filter frame.
- If necessary, remove any hair and dust, and tap the motor protection filter and filter foam.
- Both filters and the dust container can be washed under running water.
- After cleaning and thoroughly drying them, reassemble all the parts and place them back in the appliance.

Exhaust filter care



- Press the catch on the left-hand side to open the exhaust grille.
- Press the catch at the top of the exhaust filter to release the filter, and take it out of the appliance.
- Tap the exhaust filter and wash it under running water.
- Once it is completely dry, place the exhaust filter back in the appliance and close the exhaust grille.

Cleaning instructions

Always switch off the vacuum cleaner and unplug the mains plug before cleaning the vacuum cleaner. The vacuum cleaner and plastic accessories can be cleaned with standard plastic cleaner.

Caution:

Do not use abrasive cleaning products, glass cleaner or multi-purpose cleaning products. Never immerse the vacuum cleaner in water.

Subject to technical modifications.

Warning

This content is compiled from multiple sources and is provided for reference purposes only. It may not be complete or fully applicable to all situations. If you are unable to resolve your issue, please contact the product manufacturer or an authorized service provider for official support.

Document generated by [ManualsFile](#)