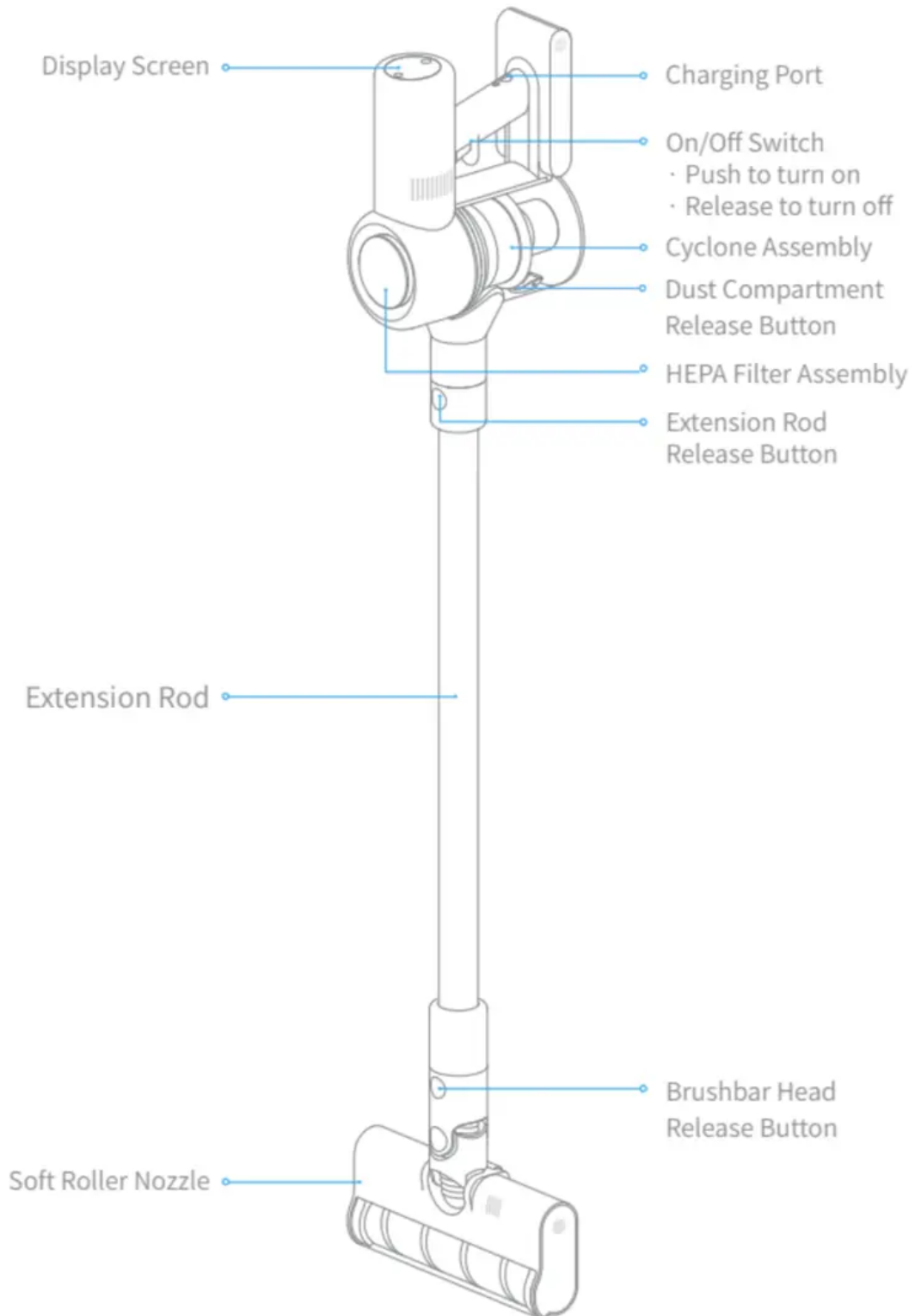


Product Overview

Part Names



Accessories



Power Adapter



Extension Hose



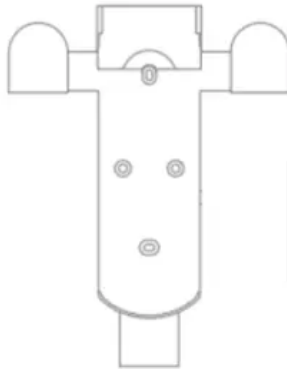
2-in-1 Crevice
Nozzle



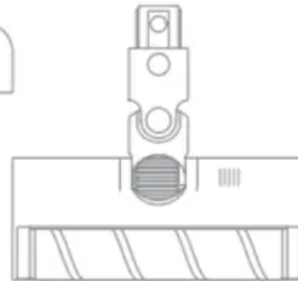
2-in-1 Brush
Nozzle



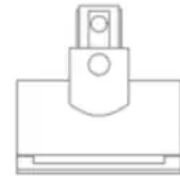
Extension Rod



2-in-1 Charging &
Storage Mount
(Including screws ×2,
wall plugs ×2)



Soft Roller Nozzle



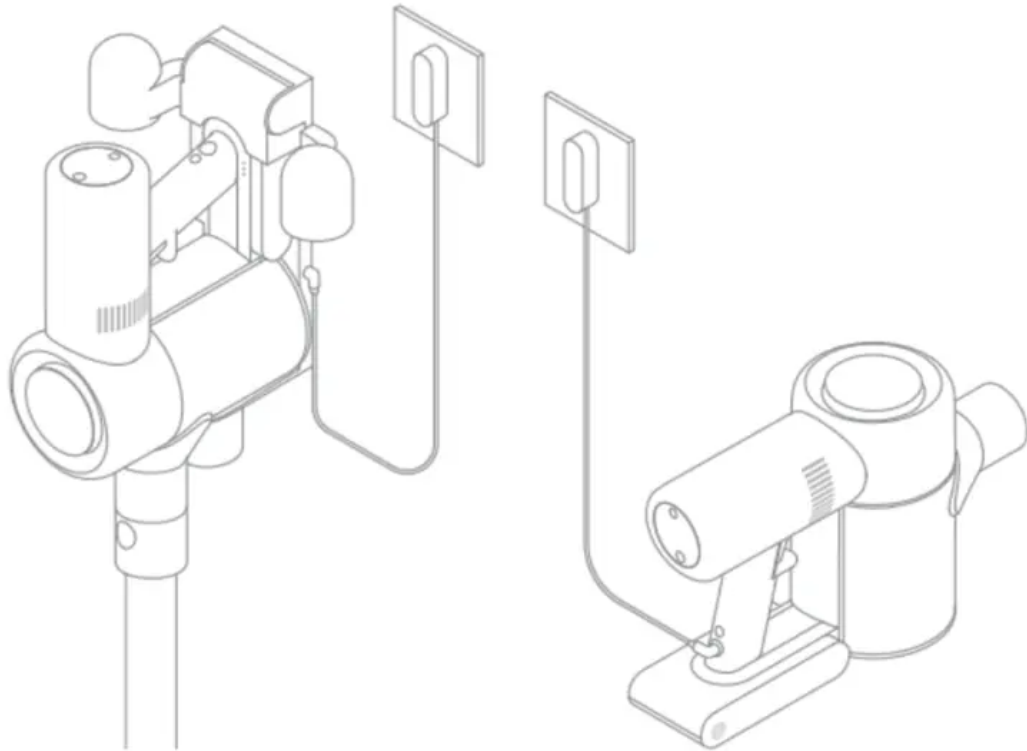
Mini-Motorized
Nozzle

Charging

Note:

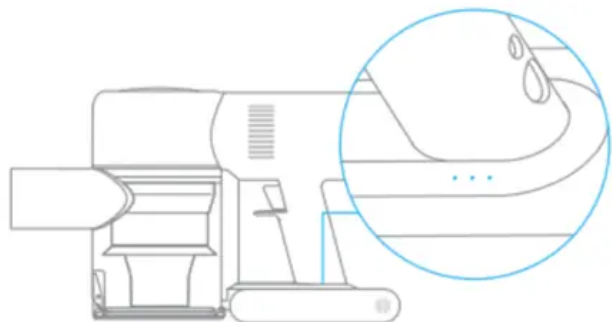
- Fully charge the vacuum cleaner before using it for the first time. This will take about 4 hours.

- Vacuum cleaner cannot be used while charging.
- Vacuuming at turbo mode for a prolonged period will cause the battery to heat up, which increases charging time. Allow the vacuum cleaner to cool down for 30 minutes before charging it.



Battery Status Indicator

- ● ☀ Low battery
- ☀ ○ Half battery
- ☀ ○ ○ Nearly full
- ○ ○ Fully charged



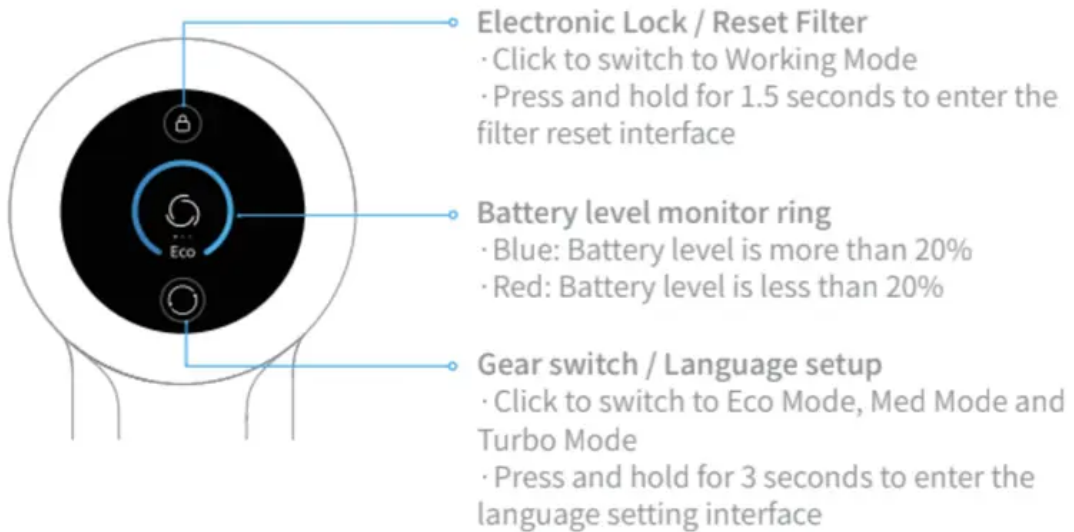
Note:

Once the vacuum cleaner is fully charged, the indicator will turn off after 5 minutes, and the vacuum cleaner will enter the energy-saving mode.

● Off ☀ Blinking ○ On

How to Use

Function Introduction of Display Screen



Note: If you need to pay attention to any abnormality during the use of the product, the screen will push a prompt message. You should follow the instructions on the screen to keep the performance normal.

Language Setup

You may set the display prompt language (Simplified English is the default when you start the machine) by the following methods as you need.



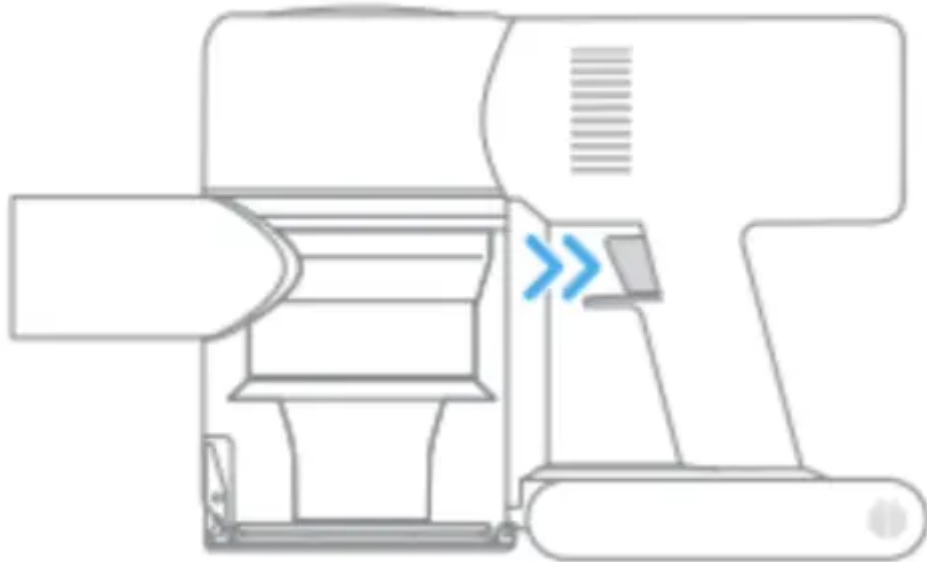
Note: If there is no operation for more than 5 seconds, it will automatically exit from the language setting interface, and the display information will be off.

Cleaning Mode

There are two working modes for the vacuum cleaner, which can be selected according to your own needs.

Mode 1: Discontinuous Cleaning Mode

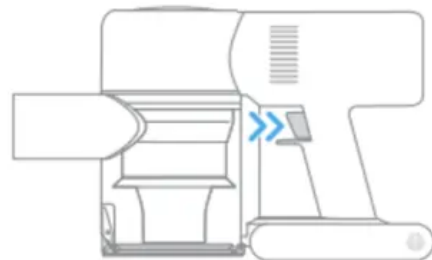
Press and hold the switch of the vacuum cleaner to start working, and release it to stop immediately.



Mode 2: Continuous Cleaning Mode (Electronic lock)

In standby mode, click the electronic lock key to switch to Continuous Cleaning Mode, and then briefly press the switch to make the vacuum cleaner in Continuous Cleaning Mode.

Use the electronic lock to free your finger and avoid finger fatigue caused by holding the switch.



Note:

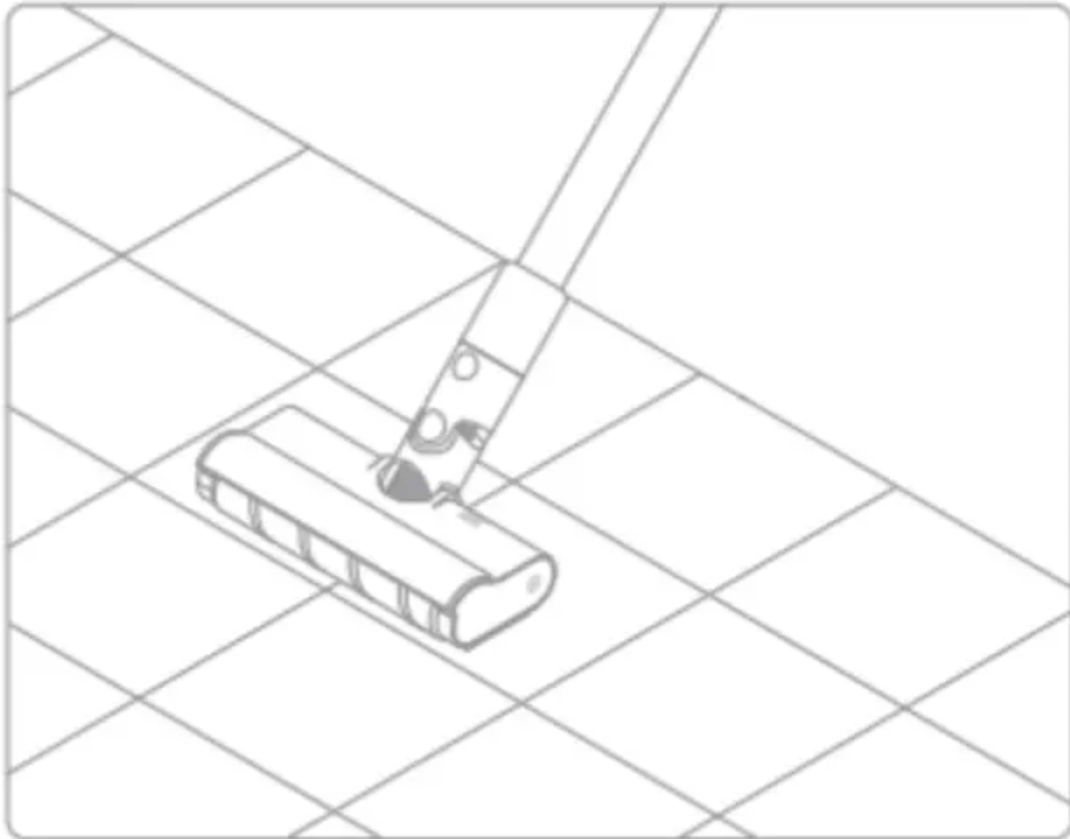
- In this mode, briefly press the switch to suspend the operation or start again, and the working mode of the vacuum cleaner will not change.
- Click the electronic lock again to quit the Continuous Cleaning Mode.

Using Different Attachments

Soft Roller Nozzle

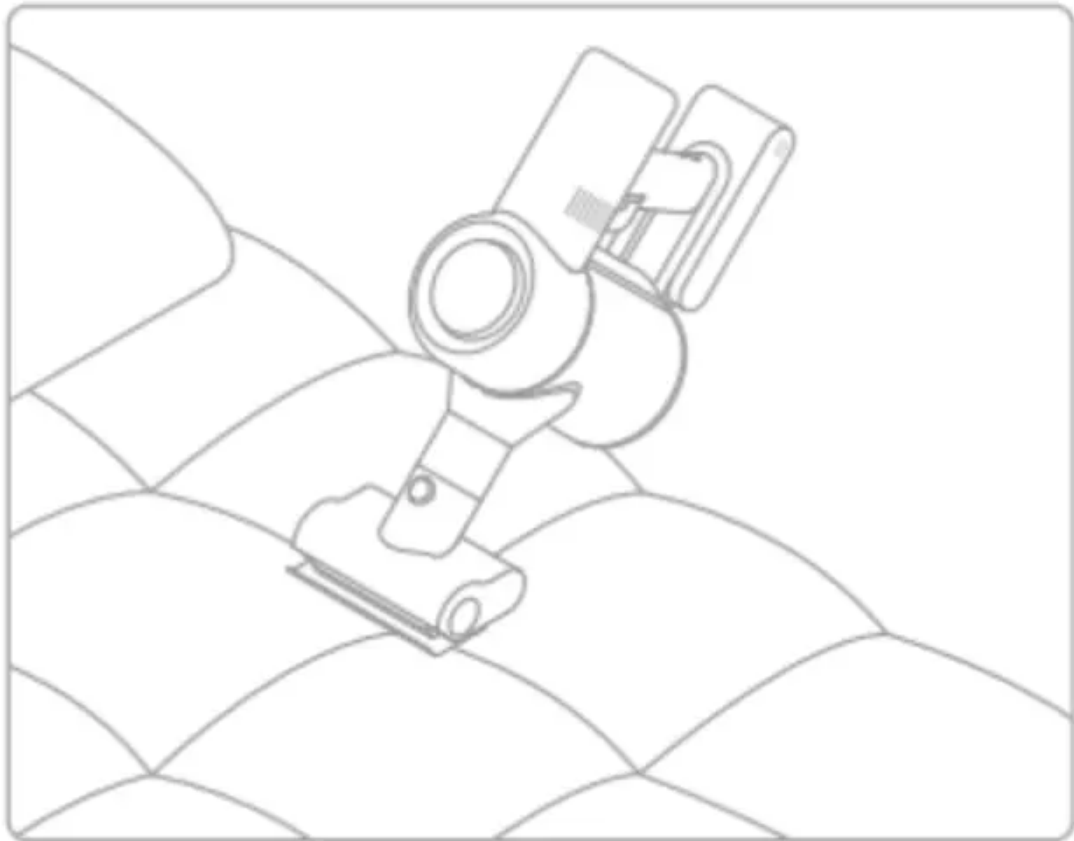
Suitable for vacuuming wood, tile, marble, and other hard floor surfaces as well as for vacuuming up larger pieces of dirt and debris.

The soft roller nozzle can also be directly attached to the vacuum cleaner.



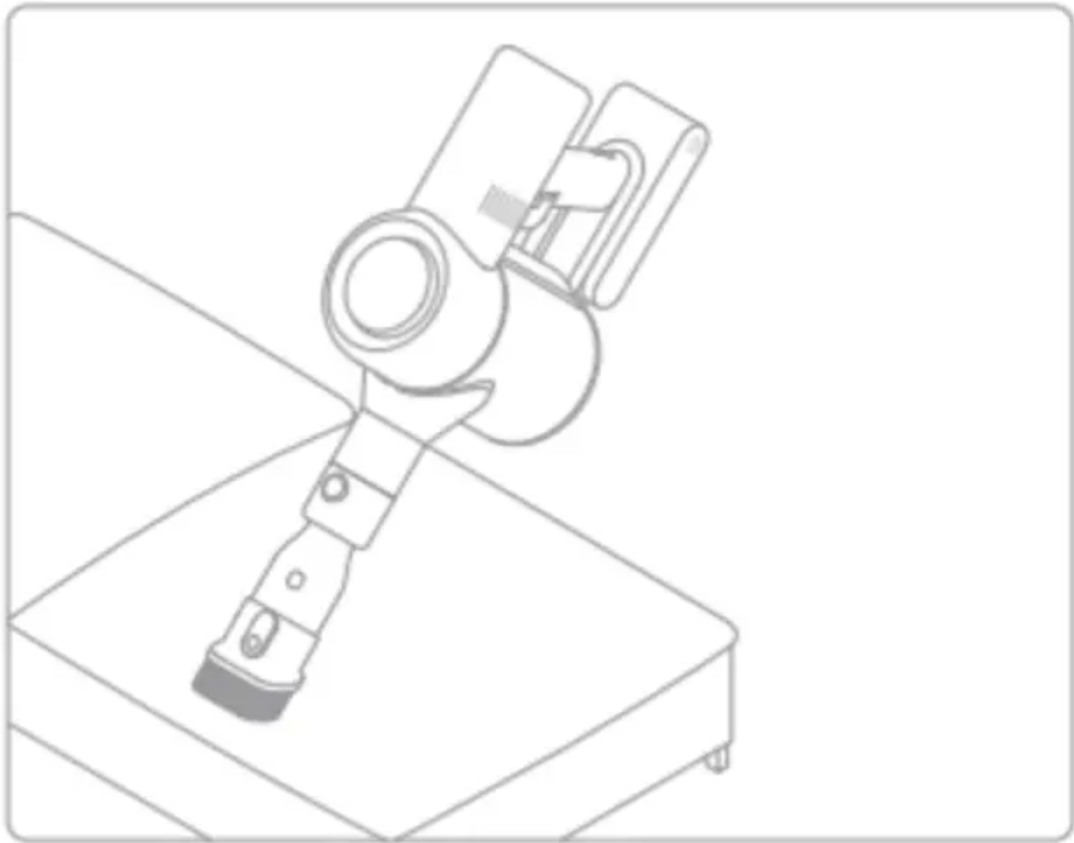
Mini-Motorized Nozzle

Strong vibrations yield deep cleaning action for removing mites and dust from mattresses and fabric surfaces.



2-in-1 Brush Nozzle

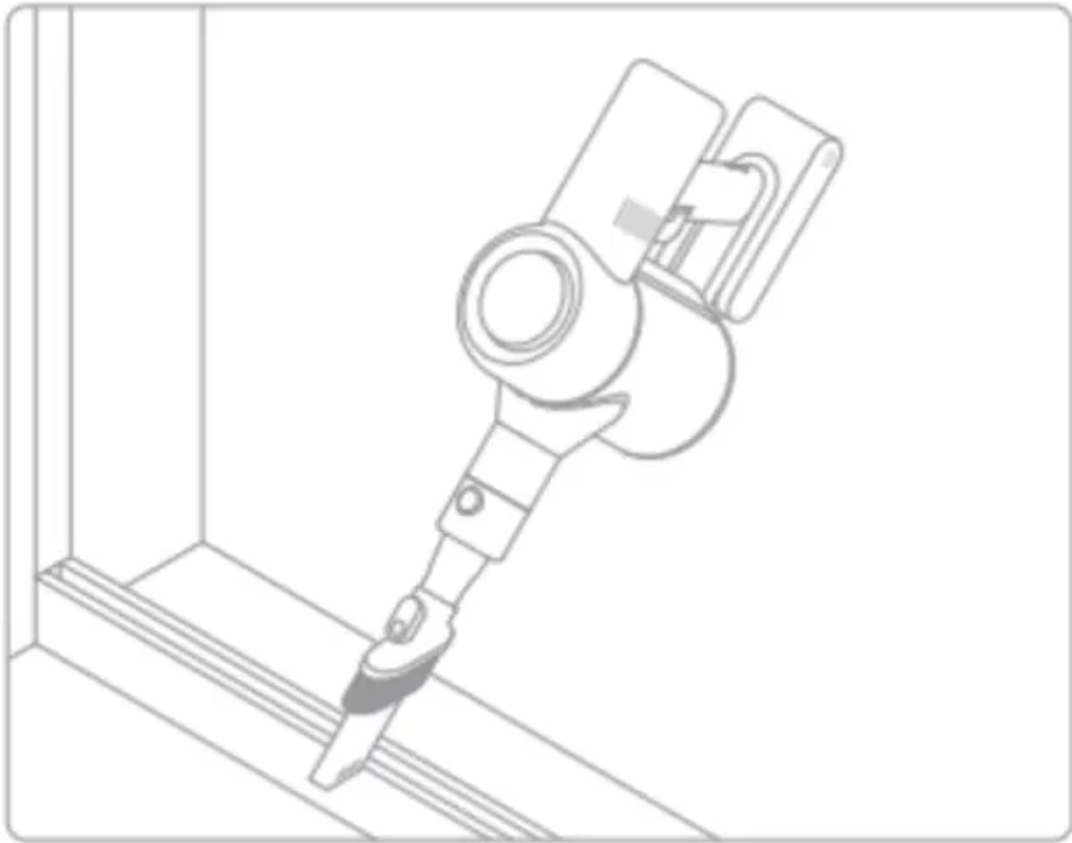
Suitable for vacuuming up dust and mites on beds, sofas, and other furniture fabric.



2-in-1 Crevice Nozzle

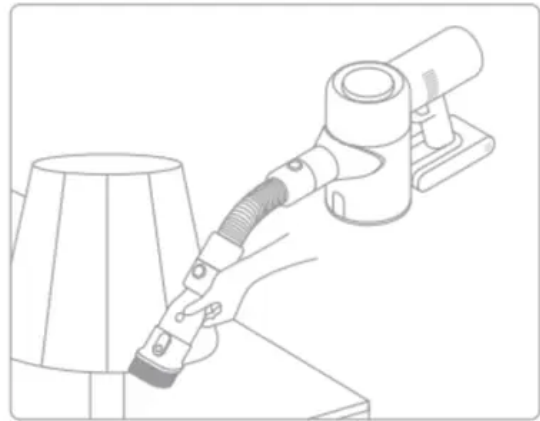
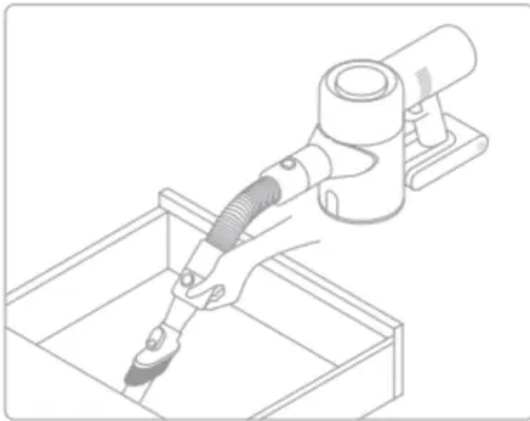
Suitable for vacuuming cracks, corners of doors and windows, stairs, and other hard-to-reach places.





Extension Hose

Use for hard-to-reach corner cleaning.



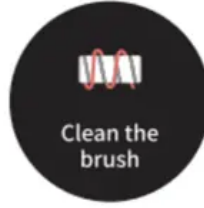
Note:

- If any rotating part becomes stuck, the vacuum cleaner may turn off automatically. Remove any trapped foreign objects, then resume use.
- The vacuum cleaner will automatically shut off if its motor enters overheat protection mode. Wait until the motor's temperature returns to normal before resuming use.

If you need to pay attention to any abnormality during the use of the product, the screen will push a prompt message. You should follow the instructions on the screen to keep the performance normal.



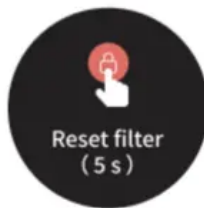
Air duct blocked
Check whether the dust compartment, extension rod, and soft roller nozzle are blocked.





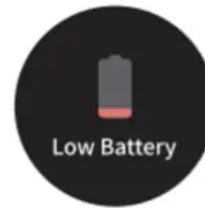
Clean the brush
Refer to the maintenance guide [Soft Roller Nozzle] section to clean the fiber material and hairs wrapped around the roller brush.



Replace the filter
Refer to the maintenance guide [Cleaning HEPA Filter] section to remove the filter and replace it.



Reset filter
Press and hold  for 5 seconds to enter the filter reset countdown screen. When  appears on the screen, it indicates that the reset is successful.



Low battery
Please charge as soon as possible.



The battery runs out
Please charge as soon as possible.



Battery overheating
Please wait and continue to use after motor temperature is normal.



Battery Error
Please contact our after-sales service personnel for maintenance.

Specifications

Vacuum Cleaner			
Model	VYN6	Rated Voltage	25.2V DC
Rated Power	450W		
Soft Roller Nozzle		Mini-Motorized Nozzle	
Model	DM001	Model	DM002
Rated Power	40W	Rated Power	20W
Power Adapter			
Model	YLS0241u-x300080(u=A or B,x=E or U)		
Output	30V DC 800mA		
Input	100-240V~, 50/60Hz, 0.8A Max		

This product contains batteries that can only be replaced by qualified technicians or after-sales service.

This product contains batteries that are non-replaceable.

WEEE Information





All products bearing this symbol are waste electrical and electronic equipment (WEEE as in directive 2012/19/EU) which should not be mixed with unsorted household waste. Instead, you should protect human health and the environment by handing over your waste equipment to a designated collection point for the recycling of waste electrical and electronic equipment, appointed by the government or local authorities. Correct disposal and recycling will help prevent potential negative consequences to the environment and human health. Please contact the installer or local authorities for more information about the location as well as terms and conditions of such collection points.

FAQ

If the vacuum cleaner is not working properly, please refer to the troubleshooting table below.

Errors	Possible Causes	Solutions
Vacuum cleaner does not work	Vacuum cleaner is out of battery or low on power	Fully charge the vacuum cleaner, then resume use
	Overheat protection mode triggered by a blockage	Wait until the vacuum cleaner cools down, then reactivate it
	Suction opening or airway passage is blocked	Clear any blockages from suction opening or airway passage
Weak suction force	Dust compartment is full and/or HEPA filter assembly is clogged	Empty the dust compartment and clean the HEPA filter assembly
	Attachment is blocked	Clear any blockages in the attachment
Motor makes a strange noise	Main suction opening or extension rod is blocked	Clear any blockages in main suction opening or extension rod
The first indicator is red after turning on the vacuum cleaner	Battery is damaged	Please contact the after-sales service department for maintenance
The first indicator blinks red after turning on the vacuum cleaner	Power adapter is incompatible	Only use the original power adapter to charge the vacuum cleaner
Battery indicator does not light up while charging	The adapter is not connected to the vacuum cleaner	Make sure the power adapter is plugged in properly
	The battery is fully charged and goes into sleep mode	Vacuum cleaner can be used normally
	If the problem persists after ruling out the above two possibilities	Please contact the after- sales service department for maintenance
Charge slowly	Battery temperature is too low or too high	

		Wait until the battery's temperature normalizes, then resume use
--	--	--

Warning

This content is compiled from multiple sources and is provided for reference purposes only. It may not be complete or fully applicable to all situations. If you are unable to resolve your issue, please contact the product manufacturer or an authorized service provider for official support.

Document generated by [ManualsFile](#)

