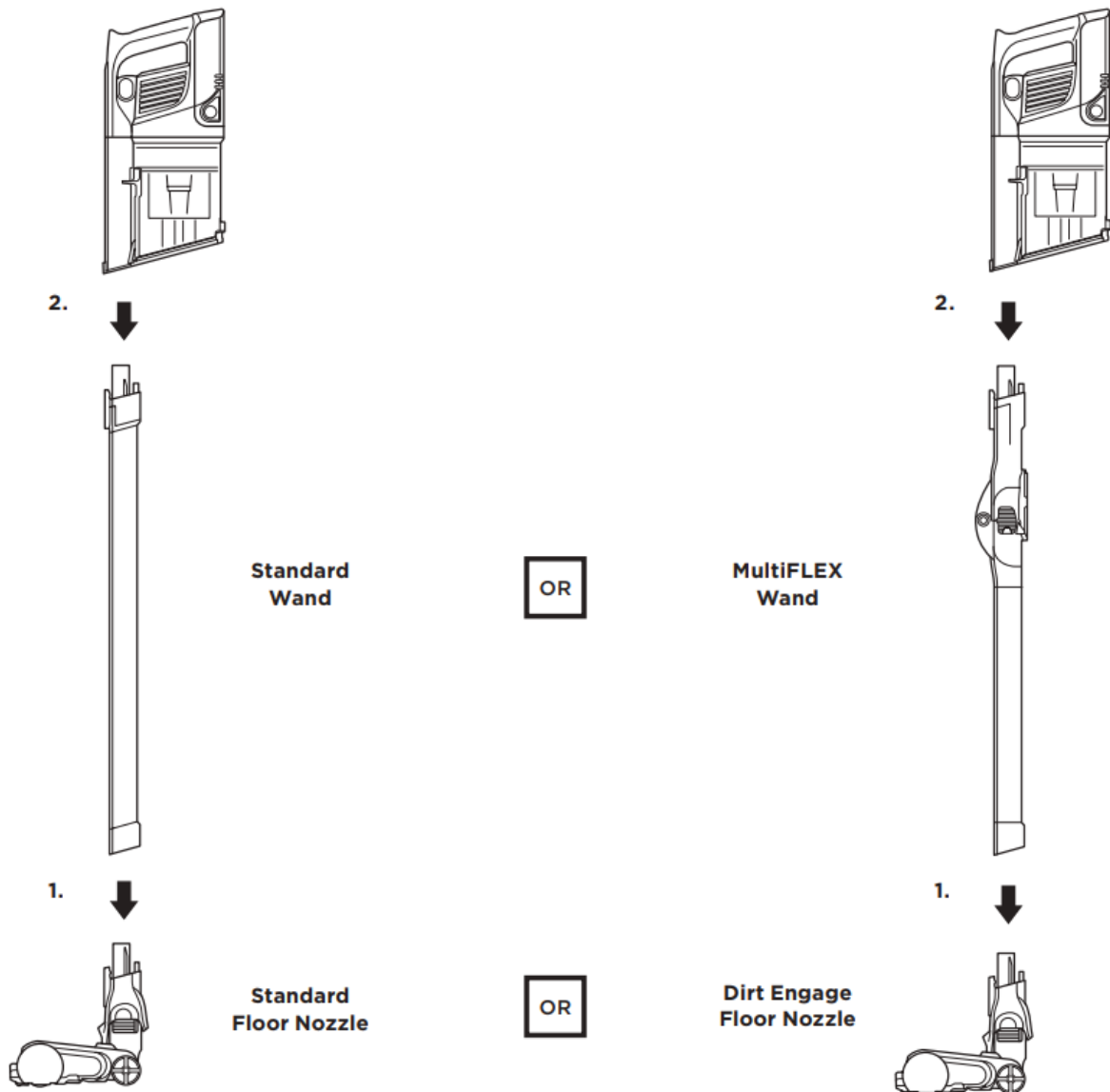


ASSEMBLY

Your vacuum comes equipped with either a standard wand or a MultiFLEX® wand and either a standard floor nozzle or a Dirt Engage™ floor nozzle. All versions assemble the same way

1. Insert **Wand** into **Floor Nozzle**.
2. Insert **Handheld Vacuum** into wand.

For proper operation, ensure all components are completely connected and clicked into place.



LI-ION BATTERY

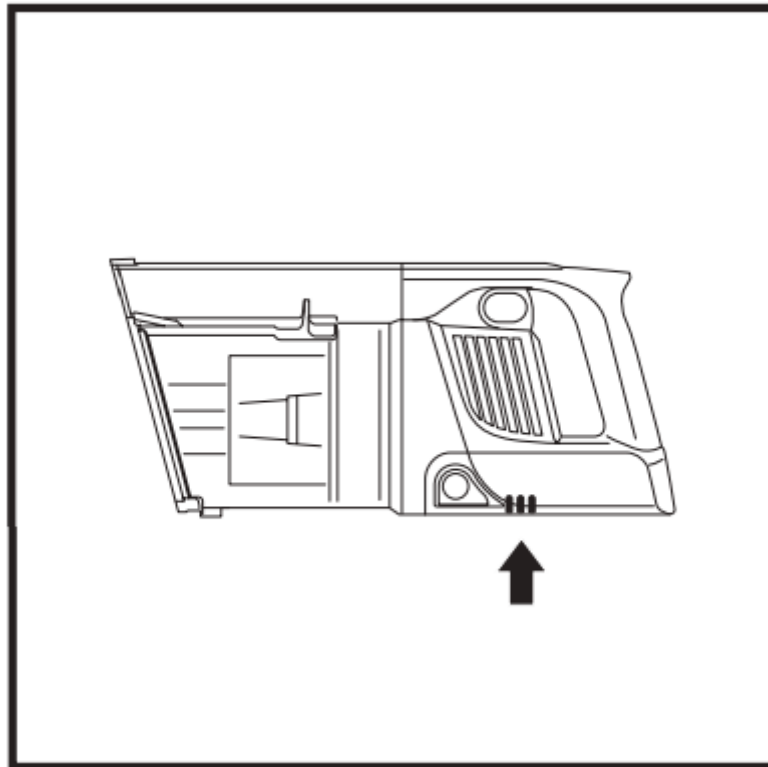
The Shark Li-Ion battery does not come fully charged. Prior to first use, charge completely.



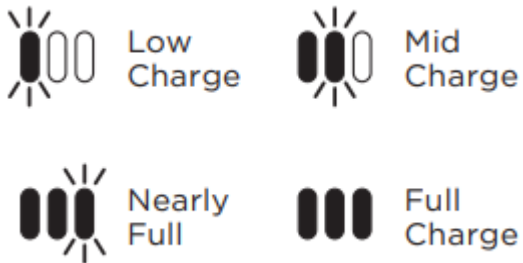
RUNTIMES PER FULLY-CHARGED BATTERY

To see the runtime of your Shark® cordless vacuum consult the Quick Start Guide.

LED BATTERY POWER AND CHARGING INDICATORS

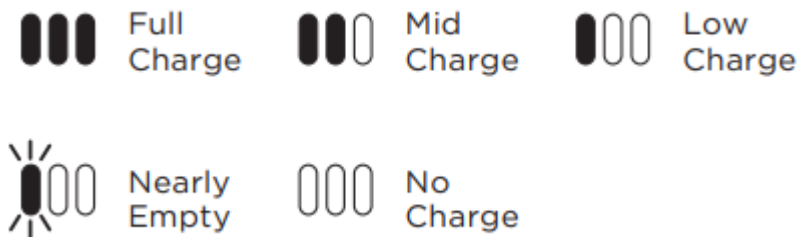


Charging



NOTE: Full charge takes approximately 3 hours.

In Use

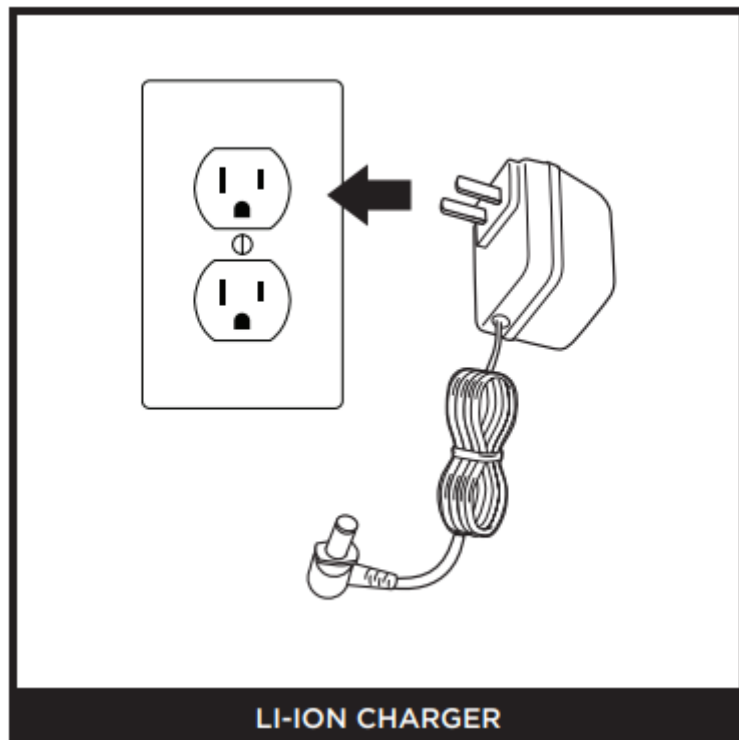


RECYCLING THE LI-ION BATTERY

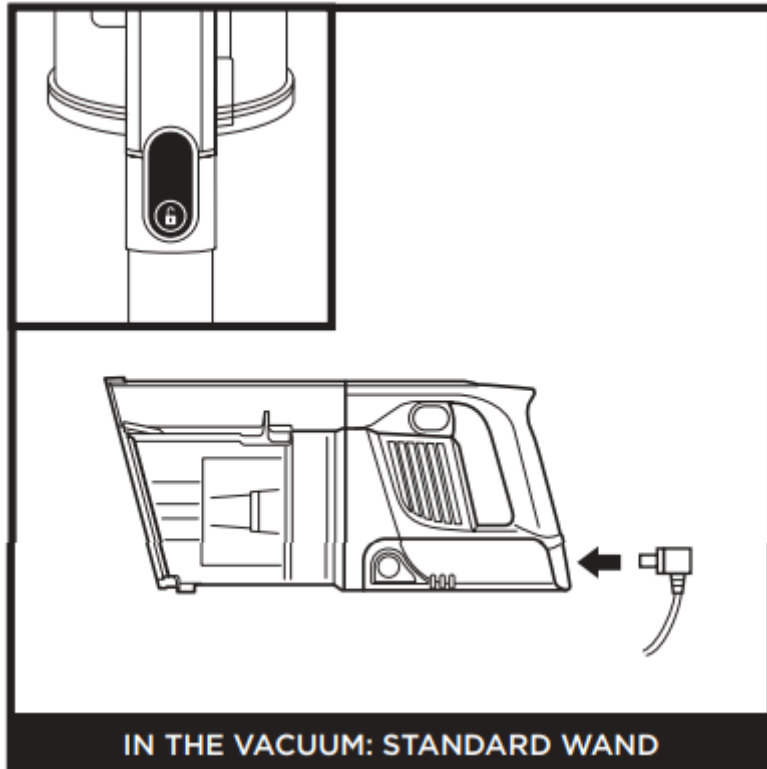
When your Shark Li-Ion battery needs to be replaced, dispose of it or recycle it in accordance with local ordinances or regulations. In some areas, it is illegal to place spent lithium-ion batteries in the trash or in a municipal solid waste stream. Return spent batteries to an authorized recycling center or to the retailer for recycling. Contact your local recycling center for information on where to drop off the spent battery.

CHARGING THE BATTERY

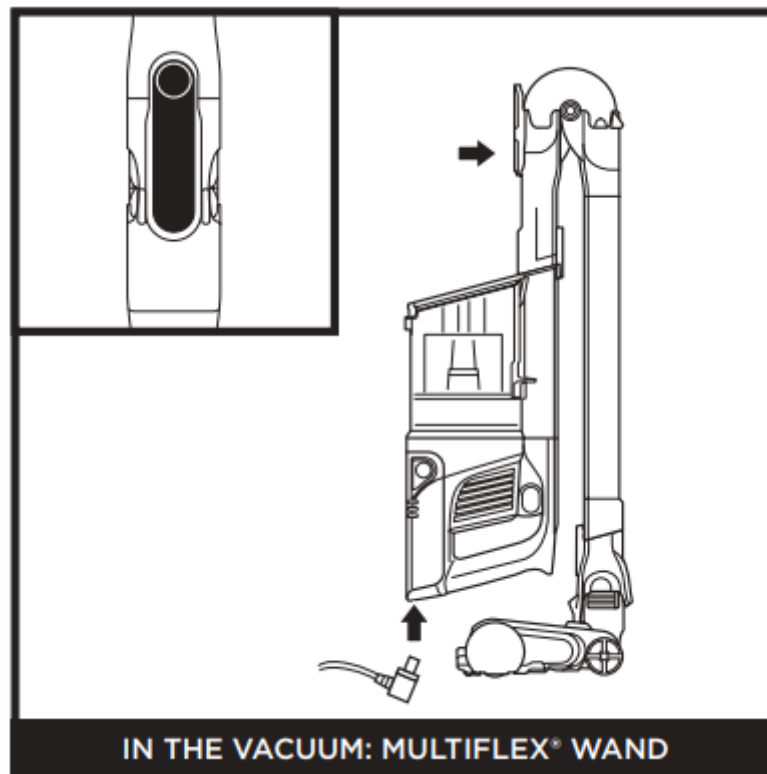
Plug the **Li-Ion Charger** into a wall outlet.



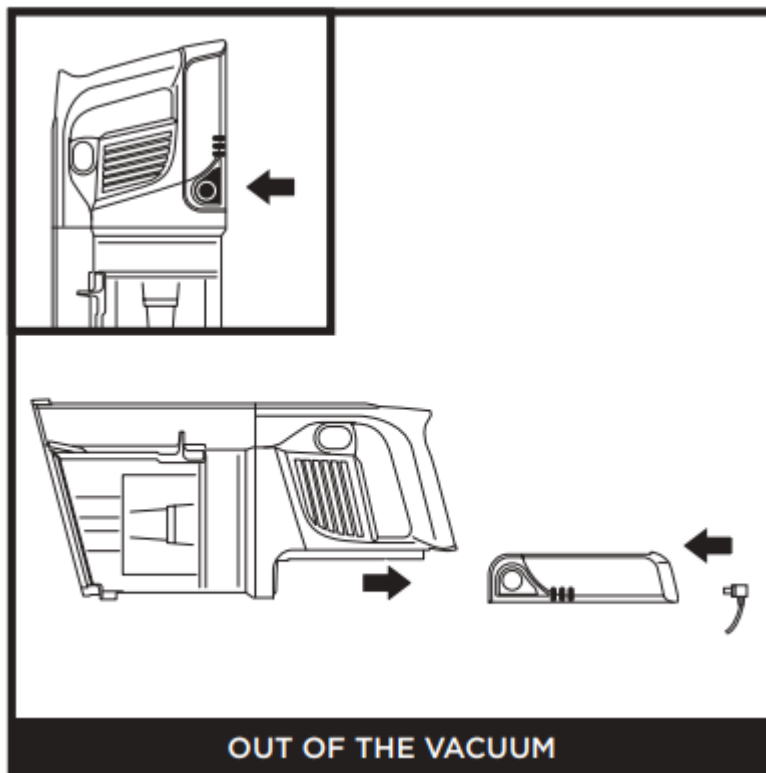
Remove the handheld vacuum from the wand by pressing the **Wand Release Button** and pulling up. Plug the charger into the charging port on the handheld vacuum.



To put the vacuum in storage mode, press the **MultiFLEX Wand Unlock Latch** while folding the handheld vacuum forward until the wand clicks and locks. Plug the charger into the charging port on the handheld vacuum



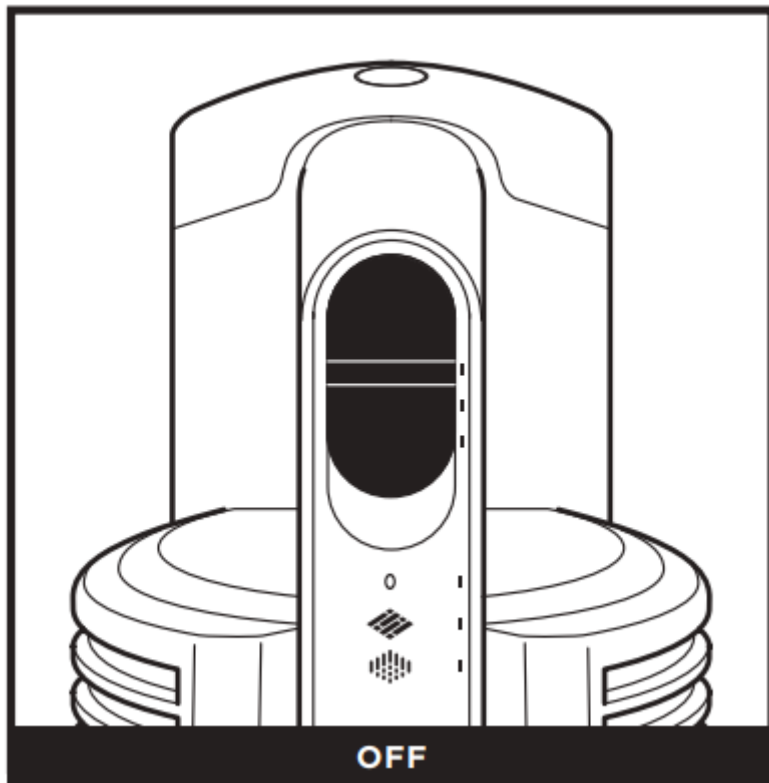
To remove the battery, squeeze the **Battery Release Button** and slide backwards. Plug the charger into the charging port on the battery



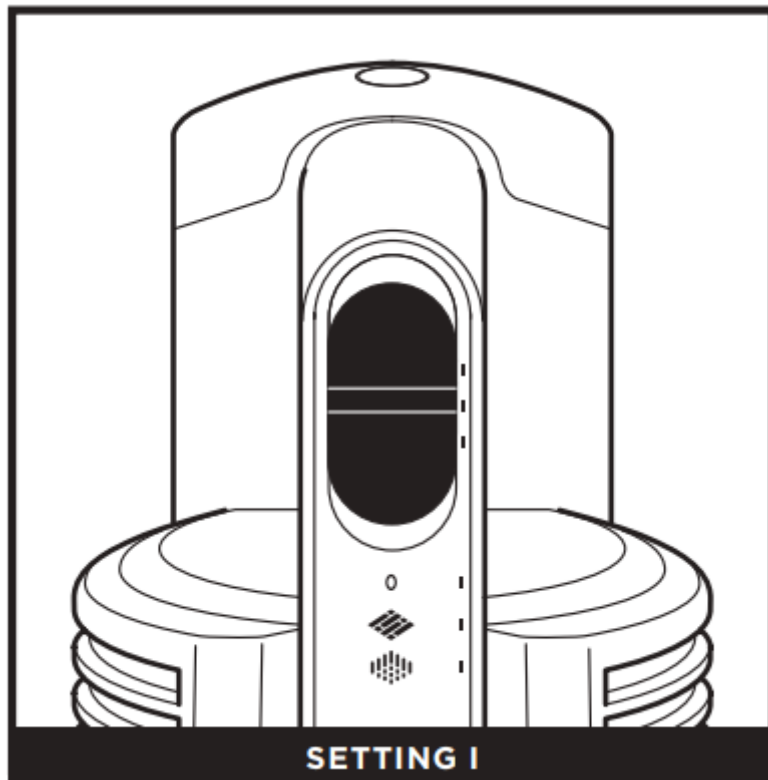
NOTE: MultiFLEX wand is not included with all configurations. See enclosed Quick Start Guide for your unit's configuration.

SETTINGS

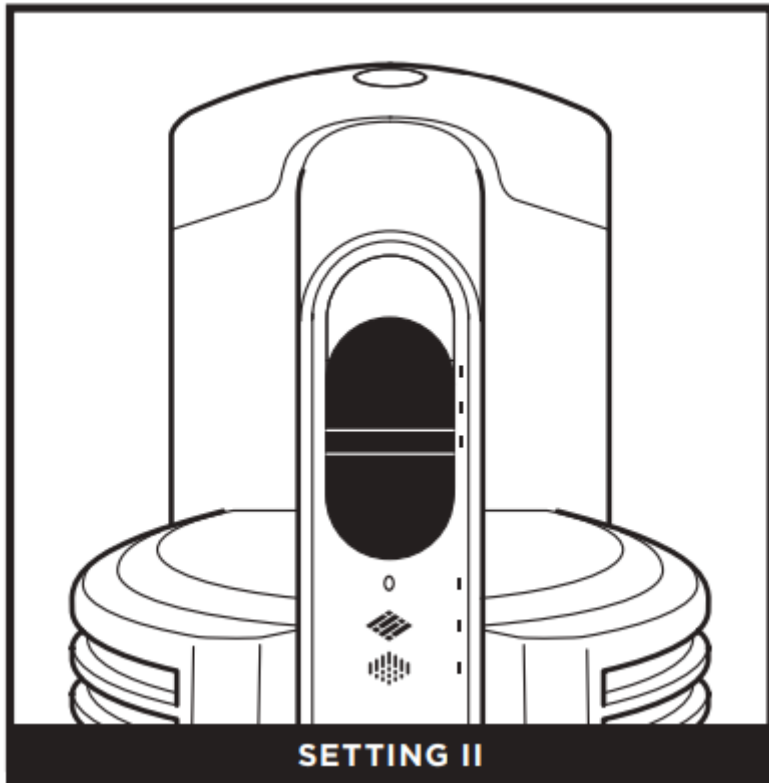
Slide switch to the top to turn off power. To begin vacuuming in **Standard Mode**, slide switch to the desired setting.



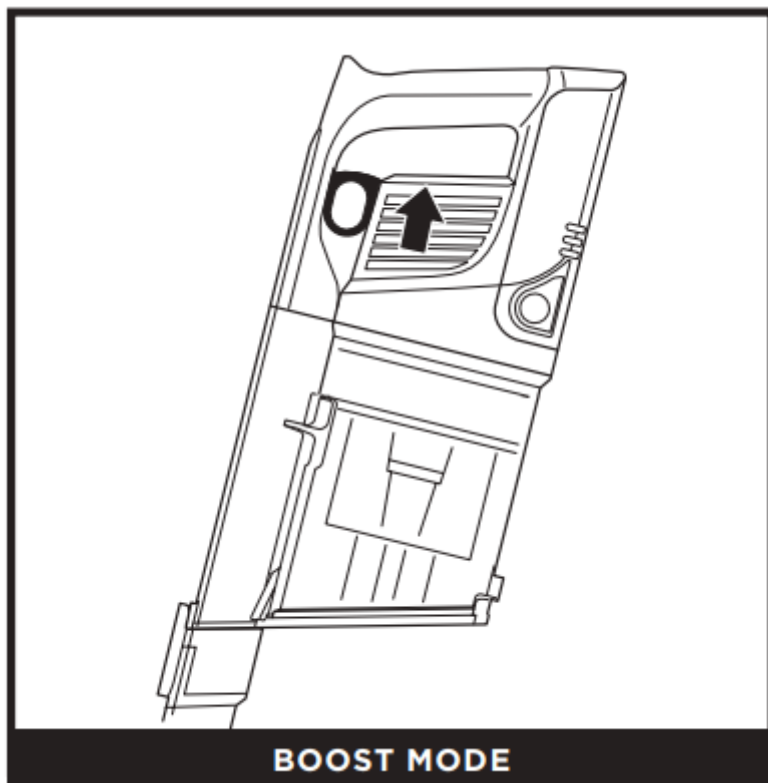
Bare Floor/Small Area Rugs Use this setting to clean bare floors and small area rugs.



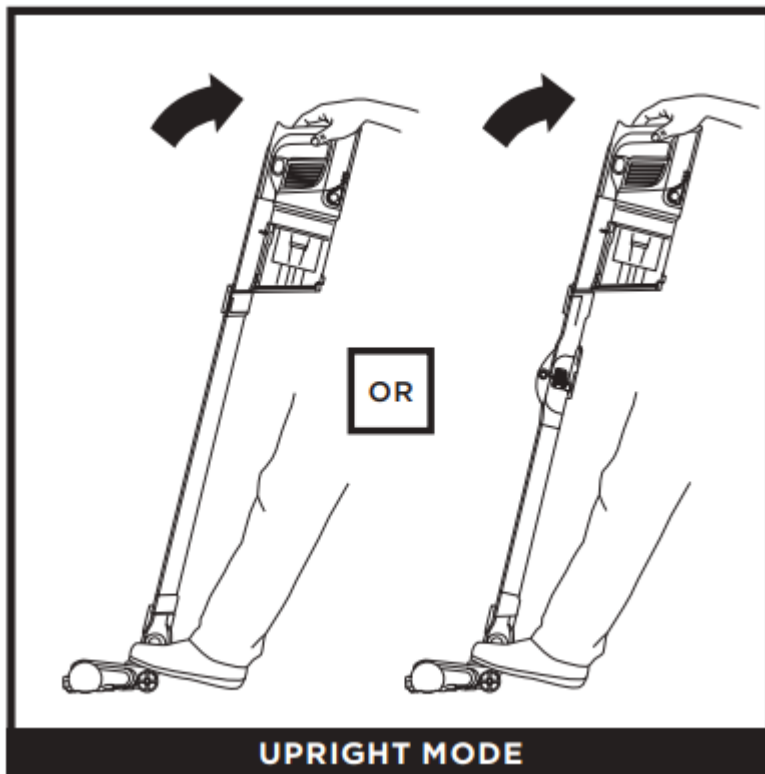
Carpet The brushroll spins faster to pick up debris below the surface of your carpets.



For an added boost in power, pull the **Trigger** on the handheld vacuum. Release it to return to standard power.



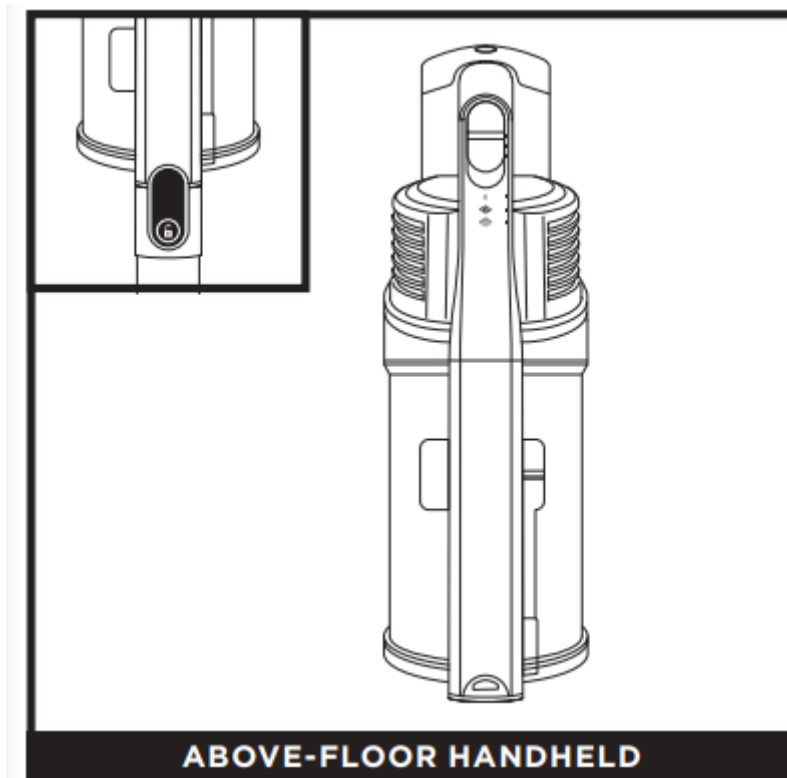
CLEANING MODES



To clean floors, step on floor nozzle and tilt handheld vacuum back.

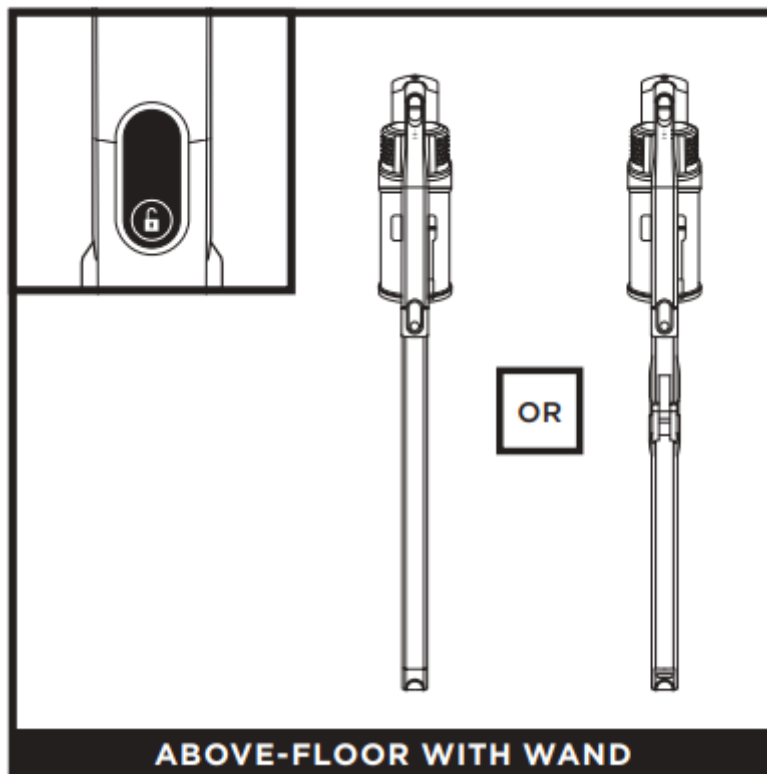
NOTE: Brushroll will only engage when the handheld vacuum and wand are tilted back.

Press the wand release button and lift the handheld vacuum off the wand. Attach an accessory for great cleaning on stairs, furniture, and other above-floor areas.



Stand the vacuum upright and press the nozzle release button located at the bottom of the wand, above the nozzle. Lift wand to detach.

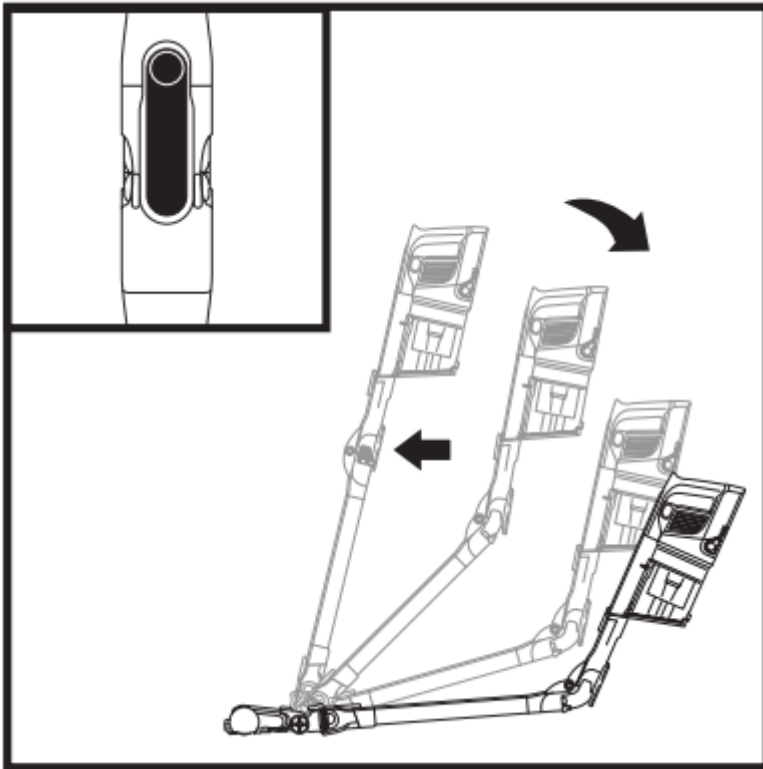
Great for cleaning baseboards, ceiling fans, window sills, and other hard-to-access areas.



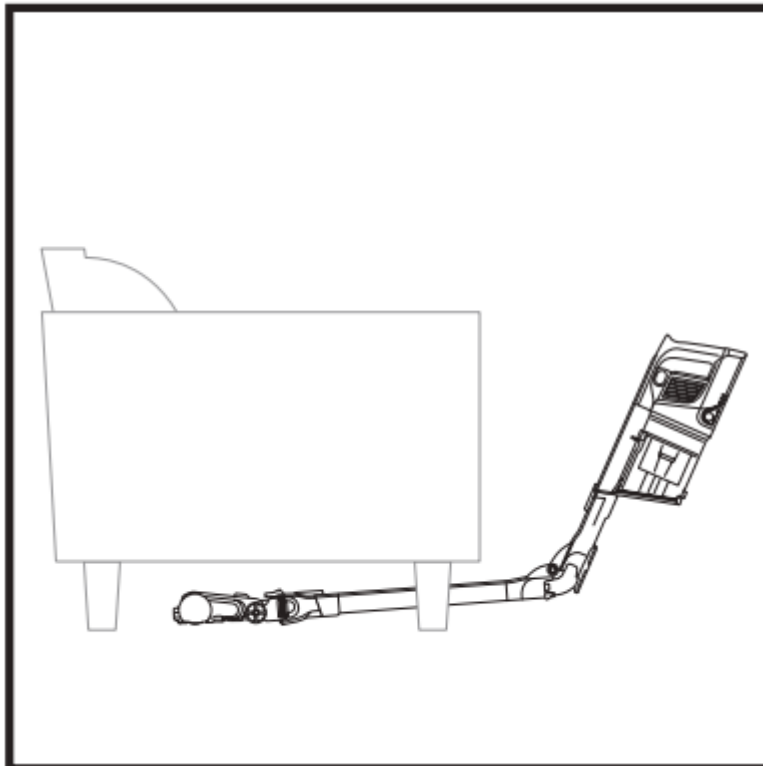
NOTE: All accessories are compatible with both the wand and the handheld vacuum.

USING THE MULTIFLEX® WAND

Press the unlock latch on the back of the wand, then adjust the angle.

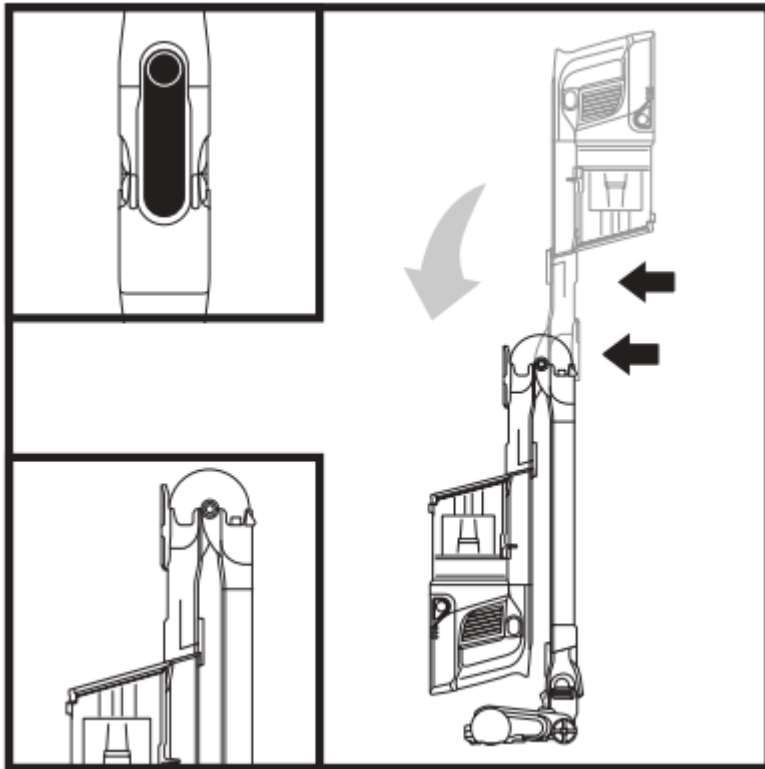


Adjust the wand to a lower angle to easily clean under furniture.

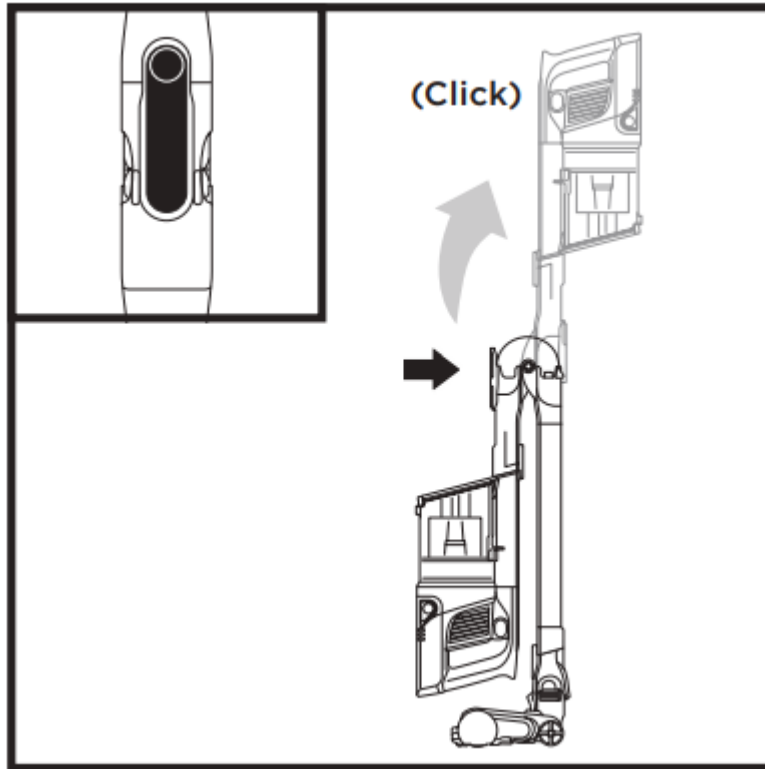


MULTIFLEX STORAGE

To put the vacuum in storage mode, press the unlock latch while folding the handheld vacuum forward.



To take the vacuum out of storage mode please the unlock latch and lift up the handheld vacuum until the wand clicks and locks into place.

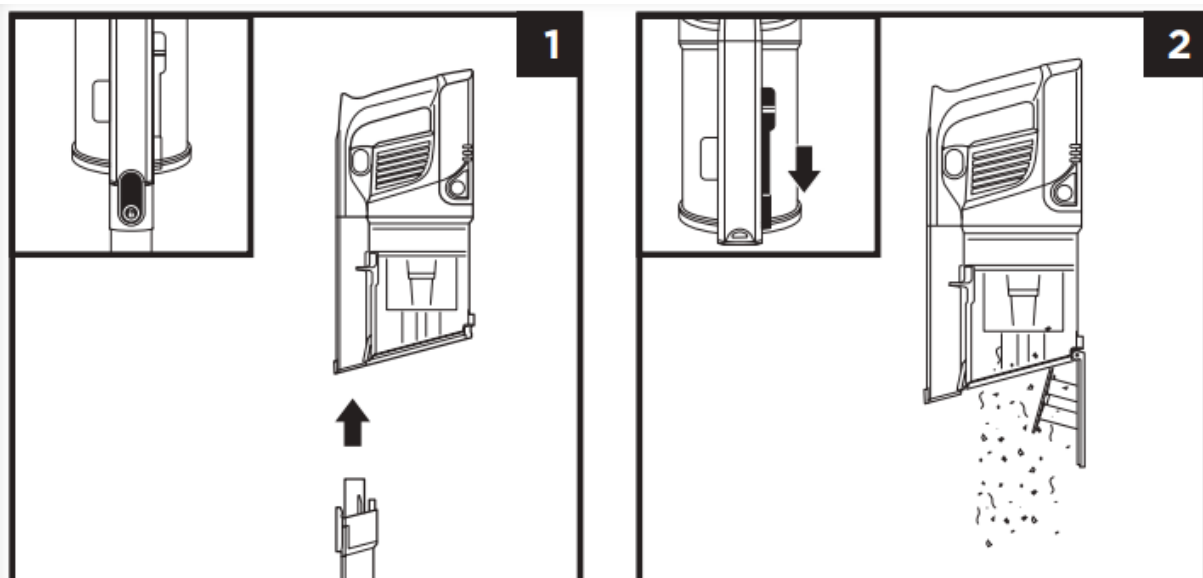


NOTE: Not all units come with the MultiFLEX wand. See enclosed Quick Start Guide for your unit's configuration.

MAINTAINING YOUR VACUUM

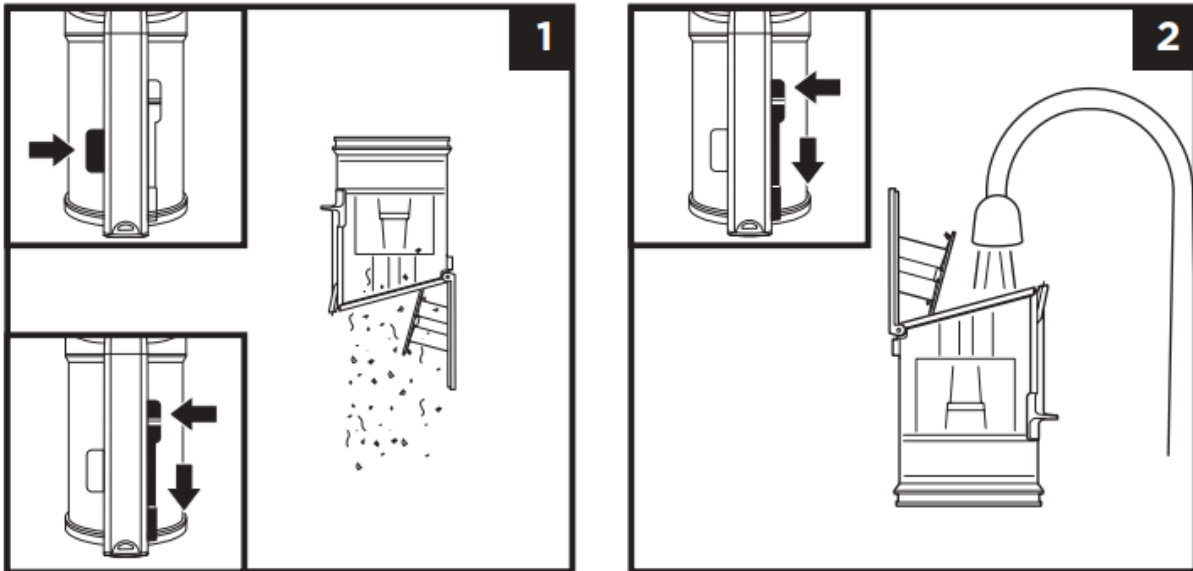
EMPTYING THE DUST CUP

1. Press the wand release button to disconnect the handheld vacuum from the wand.
2. To empty the Dust Cup while it is attached to the handheld vacuum, position the dust cup over a trash receptacle and slide the CleanTouch™ Lid Release slider forward.



REMOVING AND CLEANING THE DUST CUP

1. To remove the dust cup from the handheld vacuum, press the **CleanTouch™ Dust Cup Release** button near the handheld vacuum nozzle. Tilt the dust cup and lift off to remove. To empty dust and debris, hold the dust cup over the trash, then slide the Clean Touch Dirt Ejector slider forward
2. To clean the interior of the dust cup, rinse it with water. Place it on its side with the lid open to air-dry for at least 24 hours before reinstalling.

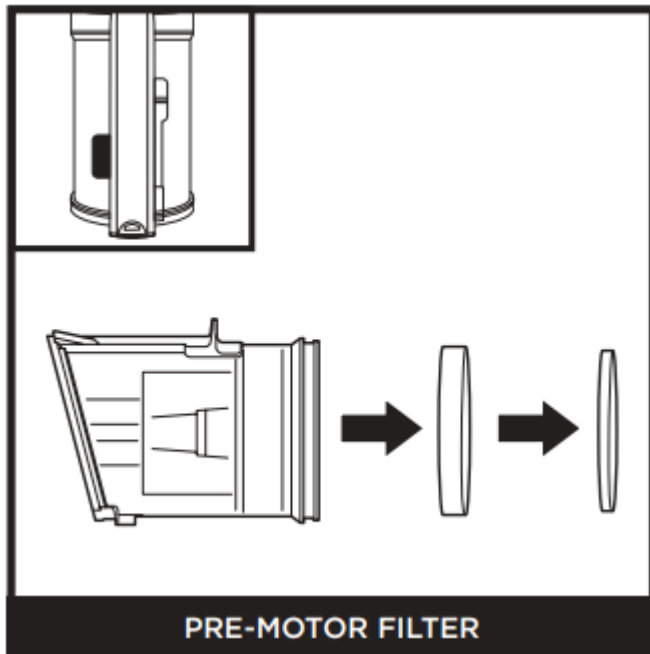


CLEANING THE FILTERS

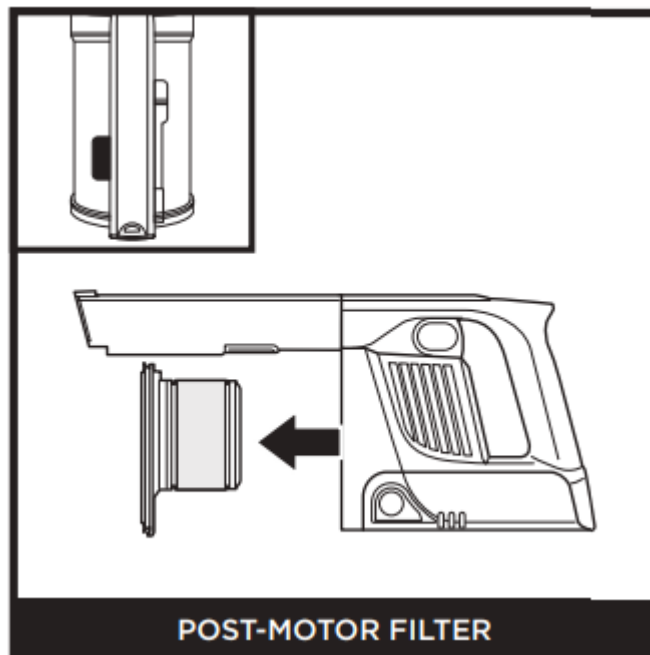
To clean filters, rinse them with water only. Allow all filters to air-dry completely for at least 24 hours before reinstalling to prevent liquid from being drawn into electric parts. Clean the pre-motor filters at least once a month and post-motor filter at least once a year. Tap off loose dirt between washes when needed. More frequent cleaning may sometimes be necessary with heavy use. Cleaning the filters regularly helps maintain your vacuum's cleaning performance.

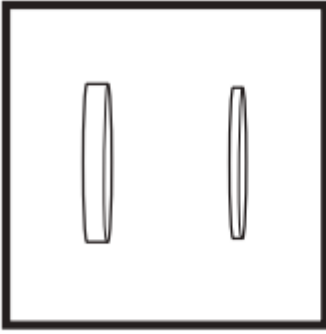
IMPORTANT: DO NOT use soap when cleaning the filters. Use water only

Press the dust cup release button and remove the dust cup. Pull the foam and felt filters out of the back of the dust cup.

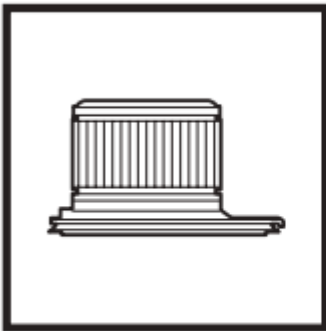


Remove the dust cup. Pull the post-motor filter out of the handheld vacuum.

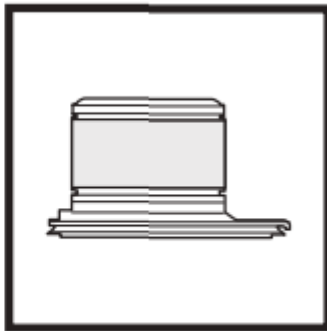




Pre-Motor Foam and Felt Filter Kit



Post-Motor HEPA Filter

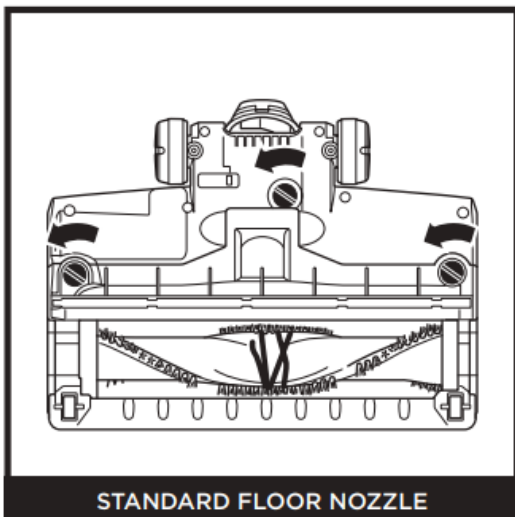


Post-Motor Filter

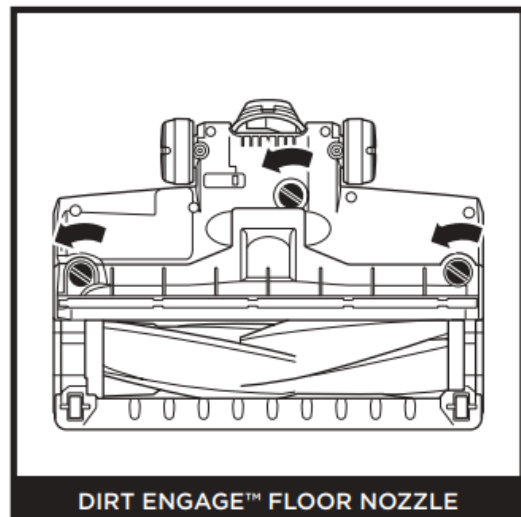
NOTE: Not all units come with a HEPA filter. See the enclosed Quick Start Guide for your unit's configuration.

FLOOR NOZZLE

If you run over a hard or sharp object or notice a noise change while vacuuming, check for blockages or objects caught in the brushroll.

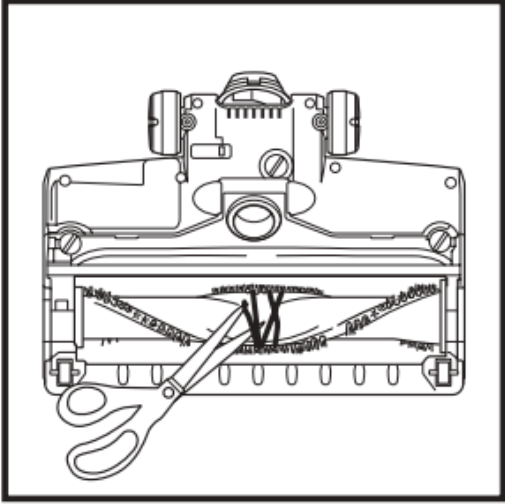
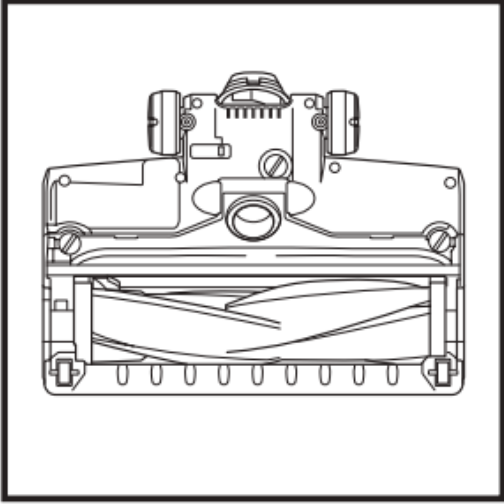


OR



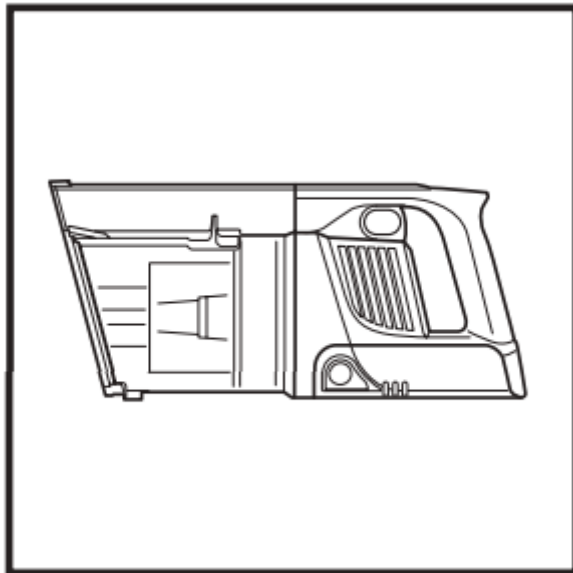
1. Turn off the vacuum.
2. Using a coin, turn locks counterclockwise to open, then lift off cover to access brushroll.
3. Clear airway of blockages.

- Replace cover by sliding inserts into slots, then pressing down firmly on all sides before turning locks clockwise to close. There will be an audible click once the locks are secured.

CLEANING STANDARD BRUSHROLL	CLEANING DIRT ENGAGE BRUSHROLL
	<div data-bbox="847 723 916 790" style="border: 1px solid black; padding: 2px; display: inline-block; text-align: center;">OR</div> 
<p>Remove any string, carpet fibers, or hair that may be wrapped around the brushroll by using scissors to help loosen debris.</p>	<p>If any hair is wrapped around the brushroll, continue cleaning, using the Carpet setting on a bare floor surface, a low-pile carpet, or a small area rug. If some fibers remain wrapped around the brushroll after continued use, carefully remove them from the brushroll.</p>

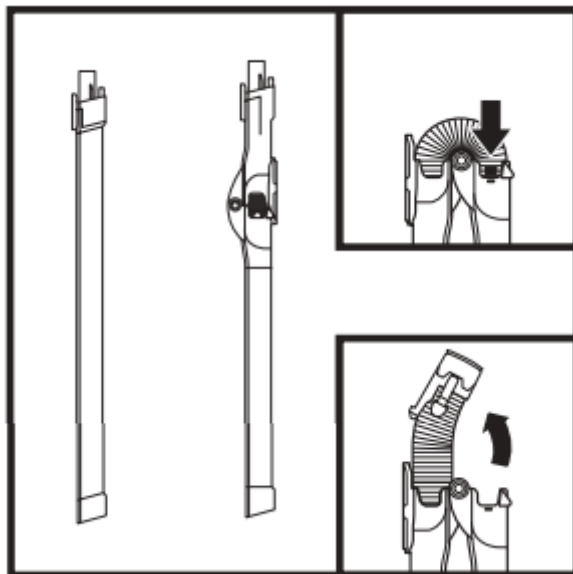
CHECKING FOR BLOCKAGES

Checking for Blockages in the Handheld Vacuum:



1. Turn off vacuum.
2. Remove the handheld vacuum from the wand.
3. Check all intake openings to the dust cup and remove any debris or blockage.

Checking for Blockages in the Wand:



Standard Wand:

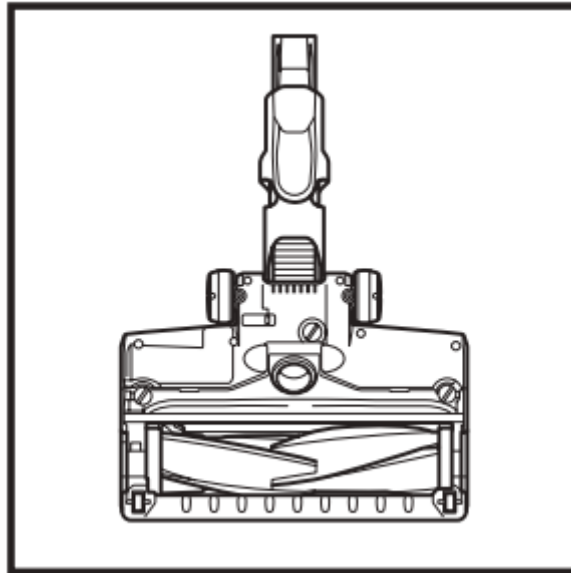
1. Turn off vacuum
2. Remove the handheld vacuum and floor nozzle
3. Check intake openings for blockages and debris
4. Clear away debris and blockages

MultiFLEX® Wand:

1. Turn off vacuum

2. Remove the handheld vacuum and floor nozzle from the wand
3. Check the **Clog Access** on the MultiFLEX portion of the wand by pinching the tabs on both sides of the hose and lifting the hose out.
4. Clear any debris and blockages.

Checking for Blockages in the Floor Nozzle:



1. Turn off vacuum
2. Detach the wand
3. Use the edge of a coin to open the three locks on the bottom of the floor nozzle
4. Remove the cover and tilt back the neck of the floor nozzle
5. Check the opening and remove any debris or blockages
6. Replace cover by firmly pressing down on all sides and turning the locks clockwise to close

TROUBLESHOOTING

WARNING: To reduce the risk of shock and unintended operation, turn off power and remove the battery before servicing.

Vacuum is not picking up debris. No suction or light suction. Nozzle light is red.

(Refer to Checking for Blockages section for more information.)

- Dust cup may be full; empty dust cup.
- Check floor nozzle for blockages; clear blockages if required.
- Remove any string, carpet fibers, or hair that may be wrapped around the brushroll.

- Check connection between handheld vacuum and wand for blockages; clear blockages if required.
- Check clog access in wand for any blockages and clear any debris.
- Check filters to see if they need cleaning. Follow instructions for rinsing and completely air-drying the filters before reinserting in the vacuum.

Vacuum lifts area rugs.

- Make sure you are not engaging boost mode. Take care when vacuuming area rugs or rugs with delicately sewn edges.
- Turn off the unit to disengage the brushroll and restart with the power/selector switch.

Brushroll does not spin.

- Immediately turn off the vacuum. Remove any blockages, then turn on the power and tilt the handle back to engage the brushroll.
- If the floor nozzle has headlights and they are not illuminated, there is a connection issue between the handheld vacuum, wand, and nozzle. Try disconnecting and reattaching the pieces.

Vacuum turns off on its own.

There are several possible reasons for the vacuum turning off on its own, including blockages, battery issues, and overheating. If vacuum turns off on its own, perform the following steps:

1. Turn on the vacuum and check the battery indicator lights located on the handheld portion of the vacuum. If recharging is needed, plug in while vacuum is in the off position.
2. Empty dust cup and clean filters (See Emptying the Dust Cup and Cleaning the Filters sections).
3. Check wand, accessories, and inlet openings and remove any blockages.
4. Allow unit and battery to cool for at least 45 minutes, until they return to room temperature.
5. Restart with power/selector switch.

NOTE: If vacuum still does not operate properly, contact Customer Service.

LED lights on Li-Ion Battery are flashing.

- Bottom LED light is flashing (Fig. A): Battery needs to be charged.
- Top and bottom LED lights are flashing (Fig. B): Battery temperature is not optimal, so charging is temporarily paused. Leave battery plugged in and charging will resume soon.
- If top 2 or bottom 2 LED lights are flashing (Fig. C, Fig. D), call Customer Service.



Fig. A



Fig. B



Fig. C



Fig. D

**ADDITIONAL ACCESSORIES AVAILABLE ON
SHARKACCESSORIES.COM**

A



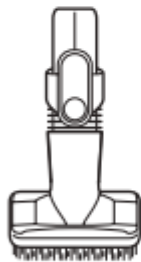
B



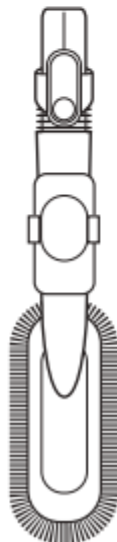
C



D

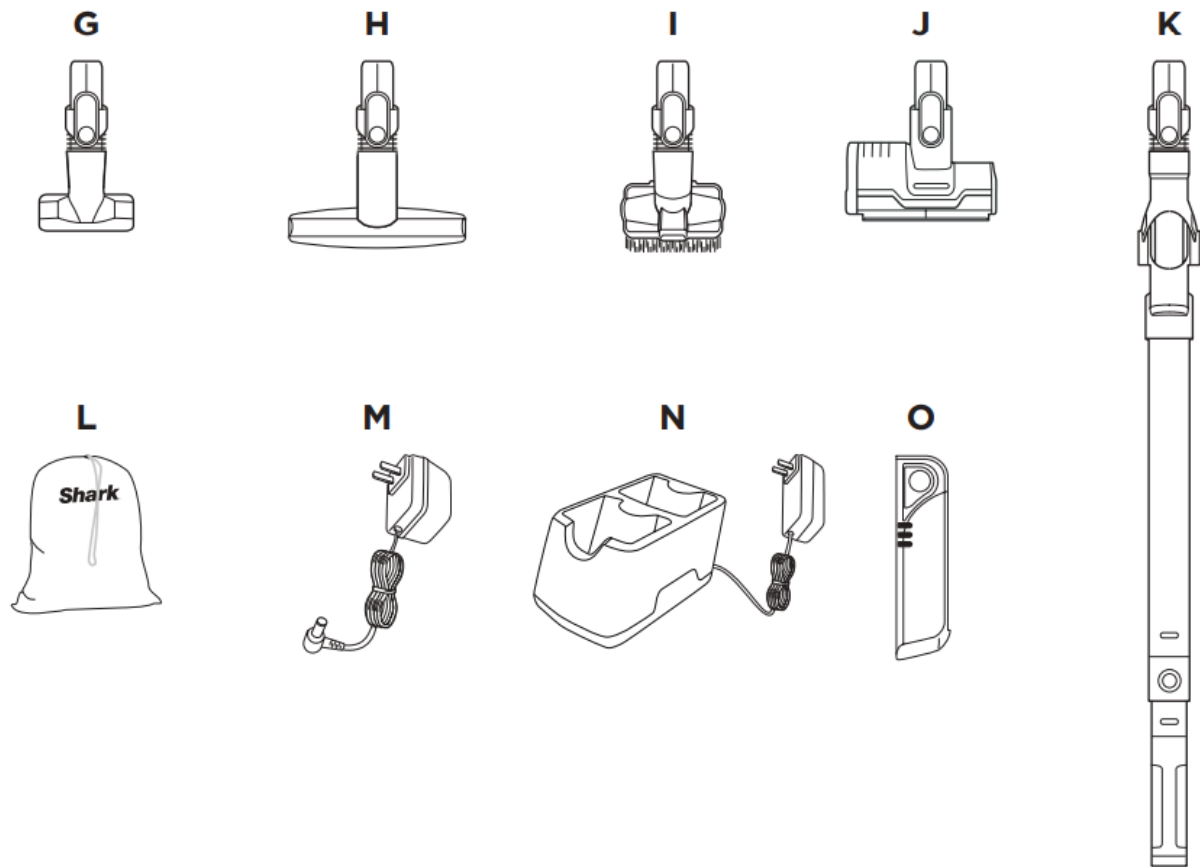


E



F





A 8" Crevice Tool

B 18" Flexi Crevice Tool

C Duster Crevice Tool

D Dusting Brush

E Multi-Angle Dusting Brush

F Anti-Allergen Dust Brush

G Upholstery Tool

H Wide Upholstery Tool

I Pet Multi-Tool

J Deep-Cleaning Motorized Pet Tool

K MultiFLEX® Under-Appliance Wand

L Accessory Bag

M Li-Ion Charger

N Dual Li-Ion Charger

O Li-Ion Battery

Warning

This content is compiled from multiple sources and is provided for reference purposes only. It may not be complete or fully applicable to all situations. If you are unable to resolve your issue, please contact the product manufacturer or an authorized service provider for official support.

Document generated by [ManualsFile](#)