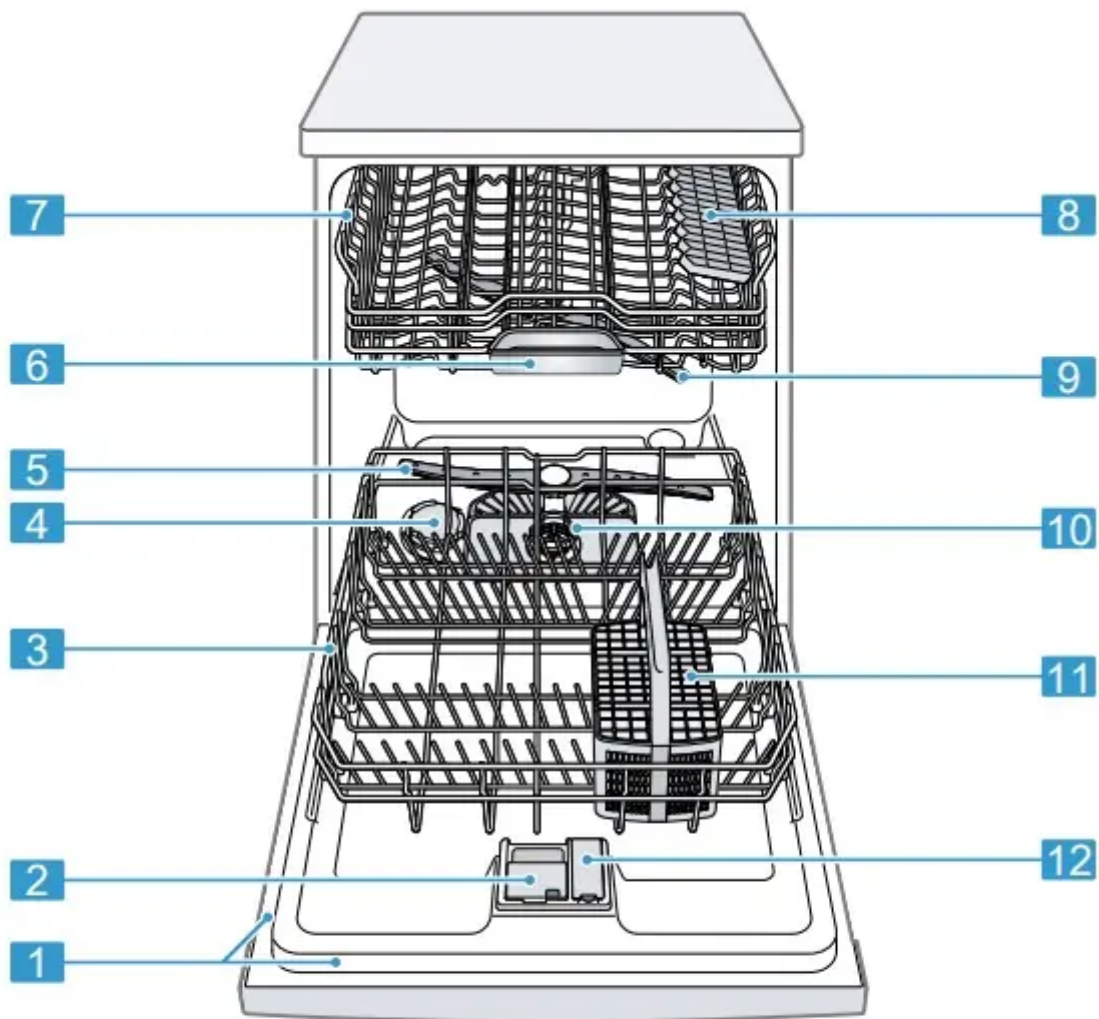


Familiarizing yourself with your appliance

Appliance

Here you can find an overview of the parts of your appliance.



1	Rating plate	Rating plate with E number and FD number → <i>Page 51</i> . You will need this data to contact Customer service → <i>Page 51</i> .
2	Detergent dispenser	Detergent is added to the detergent dispenser.
3	Lower rack	Lower rack → <i>Page 17</i>

¹ Depending on the appliance specifications

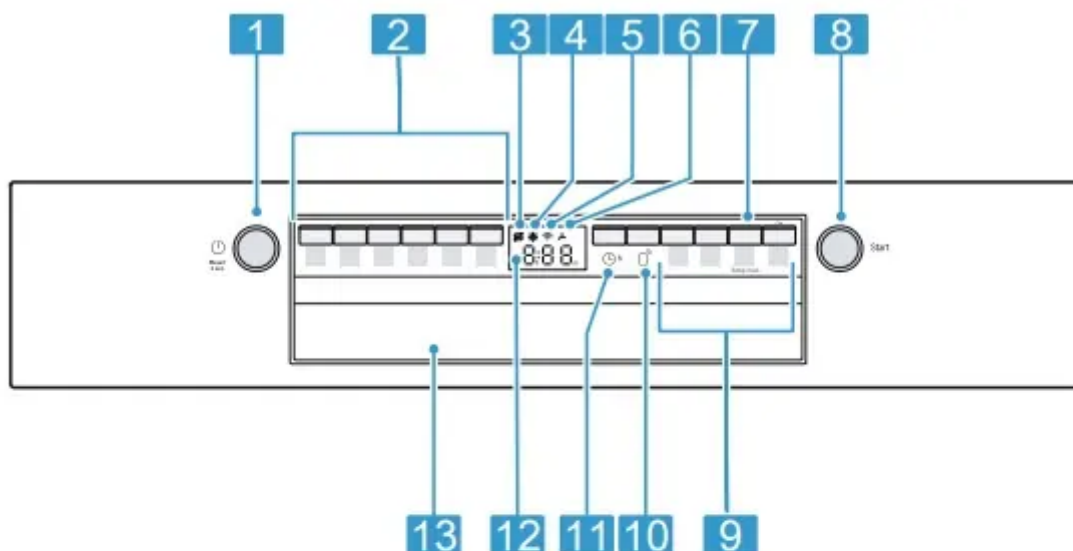
4	Dispenser for special salt	Special salt is added to the dispenser for special salt. → <i>"Water softening system", Page 20</i>
5	Lower spray arm	The lower spray arm washes the dishware in the lower rack. If the dishware has not been washed properly, clean the spray arms. → <i>"Cleaning the spray arms", Page 38</i>
6	Detergent tab collecting tray	During the wash cycle, detergent tabs automatically drop out of the detergent dispenser into the tab collecting tray, where they can dissolve fully.
7	Upper rack	Upper rack → <i>Page 17</i>
8	Cup shelf ¹	Cup shelf → <i>Page 18</i>
9	Upper spray arm	The upper spray arm washes the dishware in the upper rack. If the dishware has not been washed properly, clean the spray arms. → <i>"Cleaning the spray arms", Page 38</i>
10	Filter system	Filter system → <i>Page 37</i>
11	Silverware basket	Silverware basket
12	Dispenser for rinse aid	Rinse aid is added to the dispenser for rinse aid. → <i>"Rinse aid system", Page 22</i>


¹ Depending on the appliance specifications

Controls

You can use the control panel to configure all functions of your appliance and to obtain information about the operating status. With some buttons you can perform different functions.

Familiarizing yourself with your appliance



1	ON/OFF button ON/OFF and reset button Reset 4 sec.	Switching on the appliance → <i>Page 28</i> Switching off the appliance Terminating the wash cycle → <i>Page 30</i>
2	Cycle buttons	Cycles
3	Special salt refill indicator	Water softening system → <i>Page 20</i>
4	Rinse aid refill indicator	Rinse aid system → <i>Page 22</i>
5	WLAN display	Home Connect → <i>Page 32</i>
6	Water supply display	Display for water supply
7	Setup 3 sec. button	If you press Setup 3 sec. for approx. 3 seconds, you can open the basic settings.
8	Start button Start	Starting the wash cycle → <i>Page 29</i>
9	Cycle buttons and options	Cycles Options
10	Remote Start 	
11	Electronic delay time	Setting the electronic delay time → <i>Page 29</i>
12	Display	The display shows information about the remaining run time or basic settings. You can change the basic settings via the display and the setting buttons.
13	Door opener ¹	Open the appliance door.

¹ Depending on the appliance specifications

Dishwasher Cycles

You can find an overview of the cycles that can be selected here. Different cycles, which can be found on the control panel of your appliance, are available depending on the appliance configuration. The running time may vary depending on the cycle selected. The running time depends on the water temperature, the quantity of dishware, the level of soiling and the option selected. The running time will change if the rinse aid system is switched off or rinse aid needs to be added. The consumption values relate to normal conditions and a water hardness of 16 - 20 °E. Different influencing factors such as water temperature or pipe pressure may result in deviations.

Cycle	Purpose	Cycle sequence	Usage 1) Hour/min. 2) Electrical/ kWH 3) Water/gal
Heavy	Dishware: <ul style="list-style-type: none"> Washing pots and pans, non-fragile dishware and silverware Level of soiling: <ul style="list-style-type: none"> Removing stubborn burned or dried on food remnants containing starch and protein. 	Intensive <ul style="list-style-type: none"> Pre-Rinse Cleaning 151 °F – 160 °F Intermediate rinse Final rinse 162 °F Drying 	<ul style="list-style-type: none"> 1) 1:40 - 2:00 2) 0.950 - 1.100 3) 4.9 - 6.4
Auto	Dishware: <ul style="list-style-type: none"> Cleaning mixed dishware and silverware. Level of soiling: <ul style="list-style-type: none"> Removing common household food remnants lightly dried-on. 	Sensor controlled: <ul style="list-style-type: none"> Optimized by sensors depending on the soiling of the rinsing water. 	<ul style="list-style-type: none"> 1) 1:50 - 2:20 2) 0.810 - 0.850 3) 2.5 - 5.4 <p>Note: The displayed cycle time indicates an average value.</p>
Cycle	Purpose	Cycle sequence	Usage 1) Hour/min. 2) Electrical/ kWH 3) Water/gal
Normal	Dishware: <ul style="list-style-type: none"> Cleaning mixed dishware and silverware. Level of soiling: <ul style="list-style-type: none"> Removing common household food remnants lightly dried-on. 	Most economical cycle: <ul style="list-style-type: none"> Pre-Rinse Cleaning 122 °F – 131 °F Intermediate rinse Final rinse 154 °F Drying 	<ul style="list-style-type: none"> 1) 2:10 - 2:15 2) 0.750 - 0.840 3) 2.3 - 5.6
Rinse	Dishware: <ul style="list-style-type: none"> Cleaning all types of dishware. Level of Soiling: <ul style="list-style-type: none"> Cold rinsing, intermediate cleaning. 	Cold rinsing: <ul style="list-style-type: none"> Pre-rinse 	<ul style="list-style-type: none"> 1) 0:09 2) 0.050 3) 1.2
Machine Care	Only when using unloaded appliance.	Machine Care 162 °F	<ul style="list-style-type: none"> 1) 1:55 2) 1.100 3) 2.6
Favorite	-	-	<ul style="list-style-type: none"> 1) - 2) -

Energy Guide

The Energy Guide label was based on the Normal soil sensing cycle. The unit was tested without any rinse aid (liquid) in the rinse aid dispenser. A single dose of detergent was inserted into the detergent dispenser, with no detergent being used in the prewash. The unit was not subjected to truncated testing per the definitions in the test procedure. We recommend that dish loads such as the one in the energy certification test have the rack position set in the highest position. Recommended for daily, regular or typical use to completely wash a full load of normally soiled dishes.

Favorite

With this function, you can save a combination of a Cycle and an Option. You can save the selected Cycle and Option combination via the Home Connect app or on the appliance. When programs have been downloaded to the appliance, the name of the program will be displayed in the app. The display alternately shows "APP" and the remaining running time.

Tip: You can use the Home Connect app to download additional Cycles and Options and save them.



Save Favorite on the appliance.

1. Press .
2. Press the right cycle button.
3. Press the button for the relevant options.
4. Press Favorite button for 3 seconds.
 - The selected cycle and option will flash.
 - The Favorite button flashes.
 - The program combination is saved.

Tip: To reset the cycle, either use the Home Connect app or reset your appliance back to the factory settings. → "Overview of the basic settings", Page 31

Options

You can find an overview of the options that can be selected here. Different options, which can be found on the control panel of your appliance, are available depending on the appliance configuration.

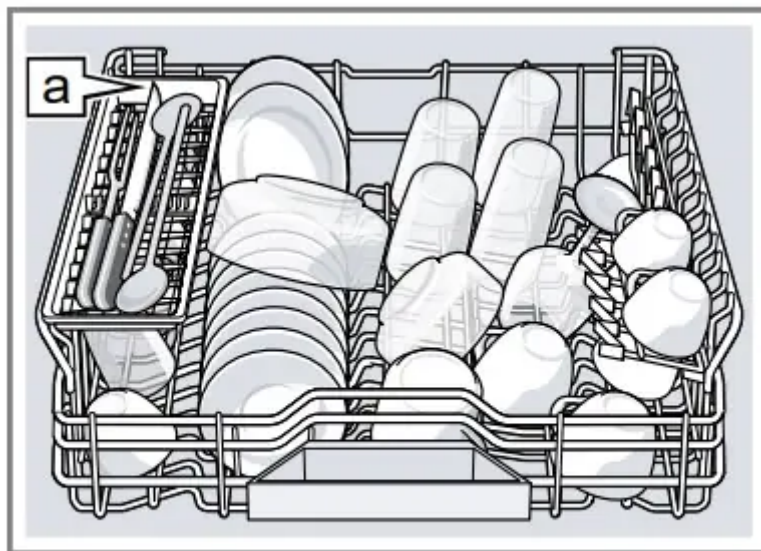
Option	Use
Delicate	For lightly soiled items with easy to remove foods for better care of the loaded glasses. Gentle drying, uses less energy and shortens the cycle.
 Extra Dry	<ul style="list-style-type: none"> • For a better drying result, the final rinse temperature is increased and the drying phase extended. • Especially suitable for drying plastic parts. • There is a slight increase in energy consumption and the run time is extended.
 Sanitize	<ul style="list-style-type: none"> • To ensure a higher hygiene status for the appliance and dishware, the temperature is increased and maintained for an extra-long period. • Especially suitable for cleaning chopping boards or baby bottles • Continuous use of this option improves the hygiene status. • This will increase the run time and energy consumption.

Features

Features You can find an overview of the possible features of your appliance and how to use them here. These features depend on your appliance model.

Upper rack

Arrange cups and glasses in the upper rack.



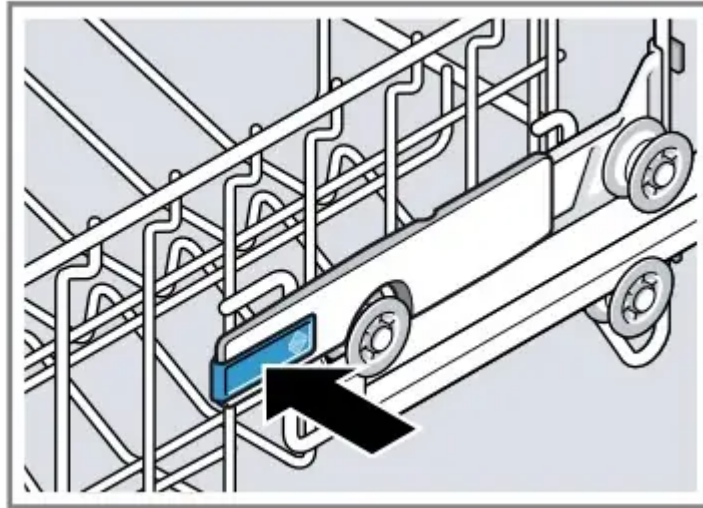
Knife shelf **a**¹

You can adjust the height of the upper rack to make room for larger items.

Adjusting upper rack with the side levers

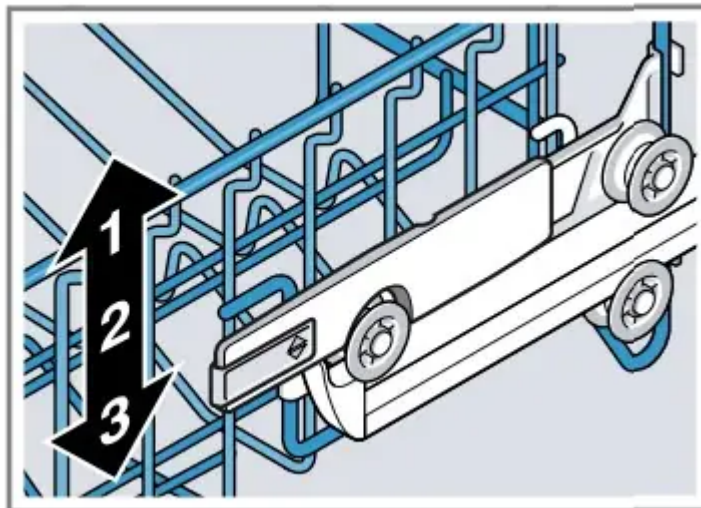
To wash large items in the racks, adjust the shelf height of the upper rack.

1. Pull out the upper rack.
2. To prevent the rack from suddenly dropping down, hold the side of the rack by the top edge.
3. Press in the right- and left-hand levers on the outside of the rack.



The rack can then slip down slightly.

4. Raise or lower the rack evenly to the right level. → "Rack heights", Page 19

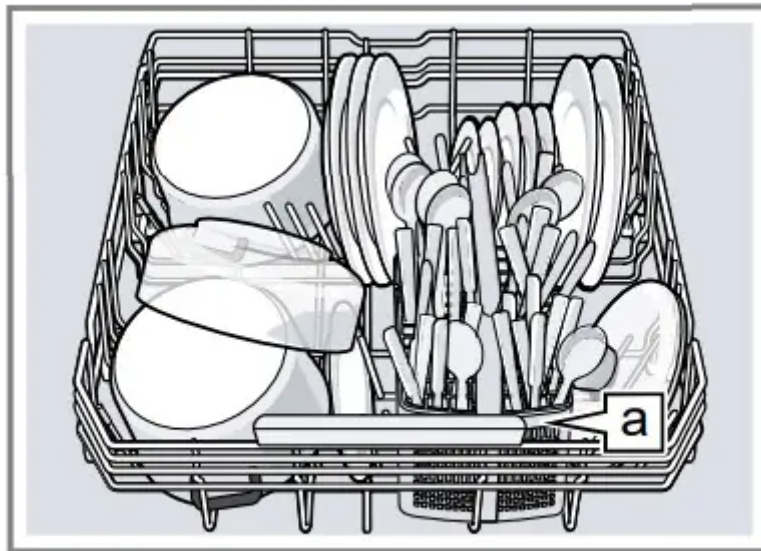


Check that the rack is level on both sides.

5. Slide the rack in.

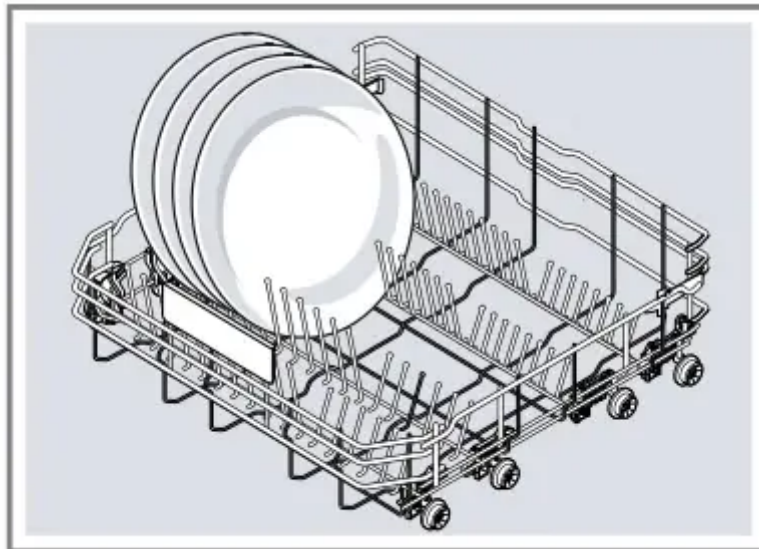
Lower rack

Arrange pans and plates in the lower rack



Silverware basket [a]¹

Large plates up to a diameter of 12 inches can be arranged in the lower rack as shown.



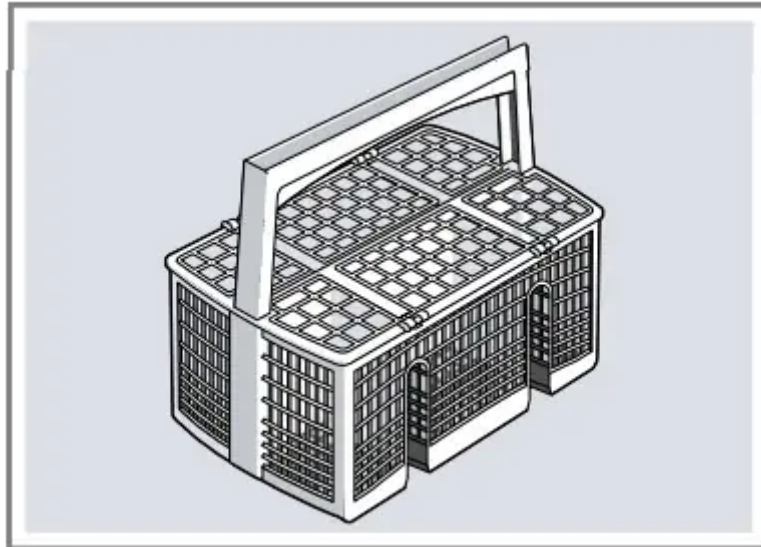
Silverware Basket

Arrange the silverware in the silverware basket, ensuring that the items are not nestled together and with the sharp points down.

WARNING

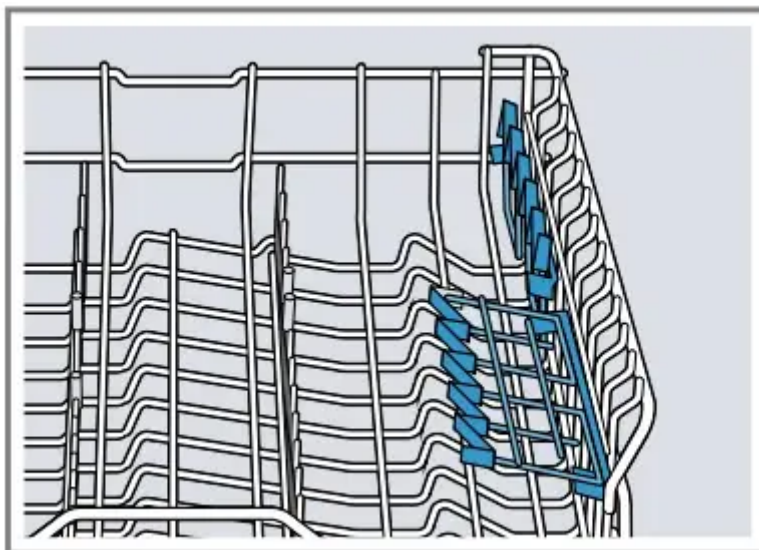
The sharp points and edges of knives and other sharp utensils can cause serious injury.

- Load knives and other sharp utensils with edges down. Do not allow children to handle or play near knives and sharp utensils



Cup shelf

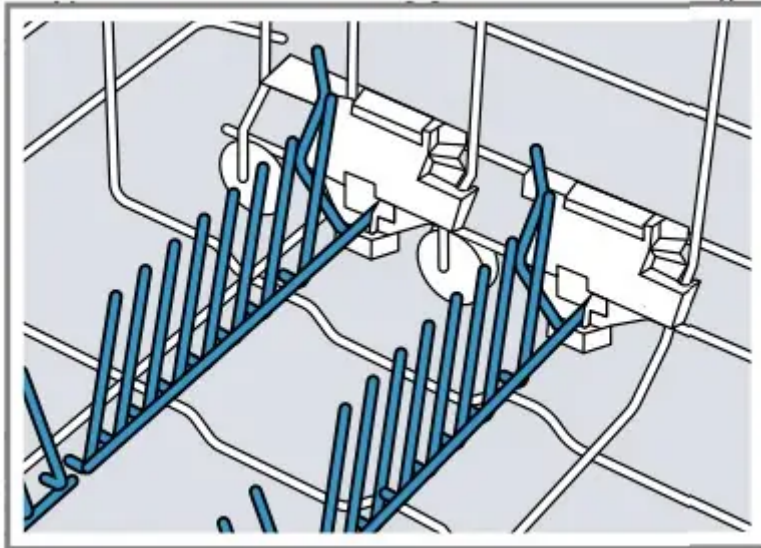
Use the cup shelf and the space underneath for small cups and glasses or for large items of silverware, e.g. cooking spoons or serving cutlery.



If you do not need the cup shelf, you can fold it up.

Flip tines

Use the flip tines to position dishware securely, e.g. plates.

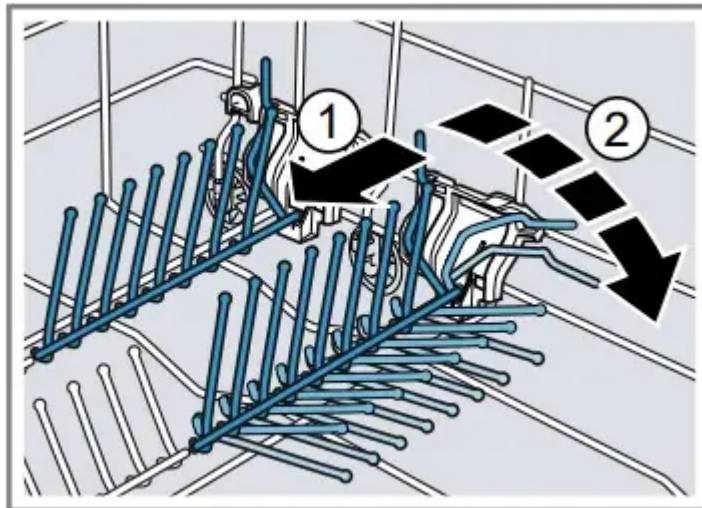


You can fold the tines down to arrange pans, bowls and glasses better.

Folding down the tines

If you do not need the tines, fold them down.

1. Push the lever forward (1) and (2) fold down the tines .

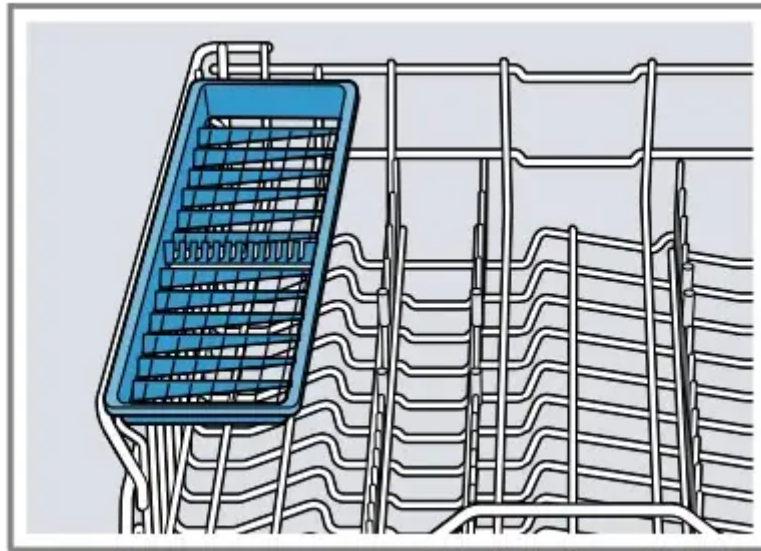


2. To use the tines again, fold them back up.

- The tines click into position.

Knife Shelf

Use the shelf for knives or other long utensils.



Rack heights

Set the racks at the right height.

Appliance height 32 inches with silverware basket

Level	Upper rack	Lower rack
1 max. ø	8.5"	12"
2 max. ø	9.5"	11"
3 max. ø	10.5"	10"

Before using for the first time

Before using for the first Apply the settings for the first use.

Initial use

On initial use or after reset to the factory settings, you will need to configure settings.

Requirement: The appliance has been installed and connected.

1. Add special salt.
2. Add rinse aid. → Page 22
3. Switch on the appliance. → Page 28
4. Set the water softening system. → Page 20
5. Set the amount of rinse aid. → Page 22
6. Add detergent.

7. Start the Program with the highest cleaning temperature without dishware. To remove any marks from water or other residues, we recommend you operate the appliance without dishware before using it for the first time.

Tip: You can change these settings and other Basic settings → Page 31 at any time

Water softening system

Hard water leaves limescale on dishware as well as the washing tank, and parts of the appliance may become blocked.

To ensure good dishwashing results, you can treat the water with special salt and the water softening system. To avoid damage to the appliance, water with a hardness above 9 °E must be softened.

Overview of water hardness settings

You can find an overview of the water hardness values that can be selected here. You can find out how hard your water is from your local water company or by using a water hardness tester.

Water hardness °E	Hardness range	mmol/l	Setting value
0 - 8	soft	0 - 1.1	H00
9 - 10	soft	1.2 - 1.4	H01
11 - 12	medium	1.5 - 1.8	H02
13 - 15	medium	1.9 - 2.1	H03
16 - 20	medium	2.2 - 2.9	H04
21 - 26	hard	3.0 - 3.7	H05
27 - 38	hard	3.8 - 5.4	H06
39 - 62	hard	5.5 - 8.9	H07

Note: Set the water hardness determined on your appliance.

Setting the water softening system

Set the water hardness on your appliance.

1. Determine the water hardness and the appropriate setting value. → "Overview of water hardness settings", Page 20

2.  Press

3. To open the basic settings, press **Setup** for 3 seconds.
 - The display shows Hxx.
 - The display shows **set**.
4. Press **Start** repeatedly until the right water hardness has been set.
The value H00 is set at the factory.
5. To save the settings, press **Setup 3 sec** for 3 seconds.

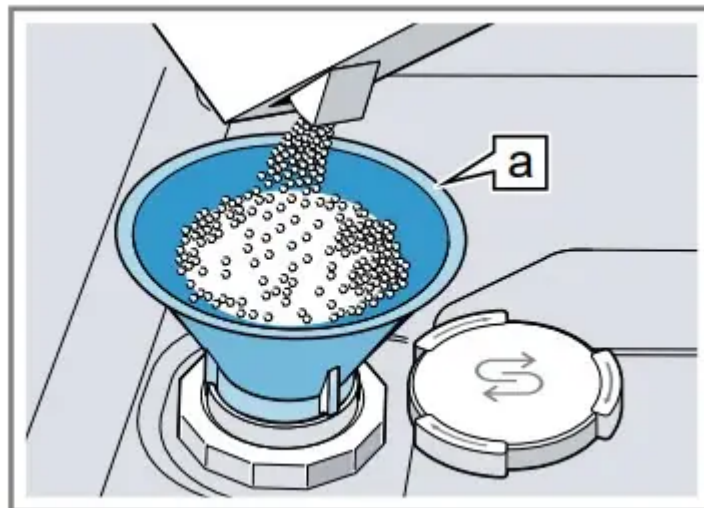
Special Dishwasher Salt

You can use special dishwasher salt to soften the water.

Adding dishwasher salt

If the salt refill indicator lights up, add special dishwasher salt to the dispenser for salt just before the cycle starts. The amount of special dishwasher salt required depends on the water hardness. The higher the water hardness, the greater the amount of salt required.

1. Unscrew the lid of the salt dispenser and remove.
2. Before the first use: Fill the dispenser full with water.
3. **Note:** Only use special salt specified for dishwashers. Do not use salt tablets. Do not use table salt. Add the special dishwasher salt to the dispenser.



Funnel Fill the dispenser completely with the salt. The water in the dispenser is displaced and forced out.

4. Place the lid back on the dispenser and turn to close.

Switching off the water softening system

If you do not need to use the water softening system, e.g. you already have a whole house water softening system, you can turn the system off.

1. Press **ON/OFF**.
2. To open the basic settings, press **Setup 3 sec** for 3 seconds.
 - The display shows Hxx.
 - The display shows **set**.
3. Press **Start** repeatedly until the display shows H00.
4. To save the settings, press **Setup 3 sec** for 3 seconds.
 - The water softening system is switched off and the salt refill indicator is deactivated.

Rinse aid system

You can use the rinse aid system and rinse aid to get dishware and glasses rinsed perfectly without spots.

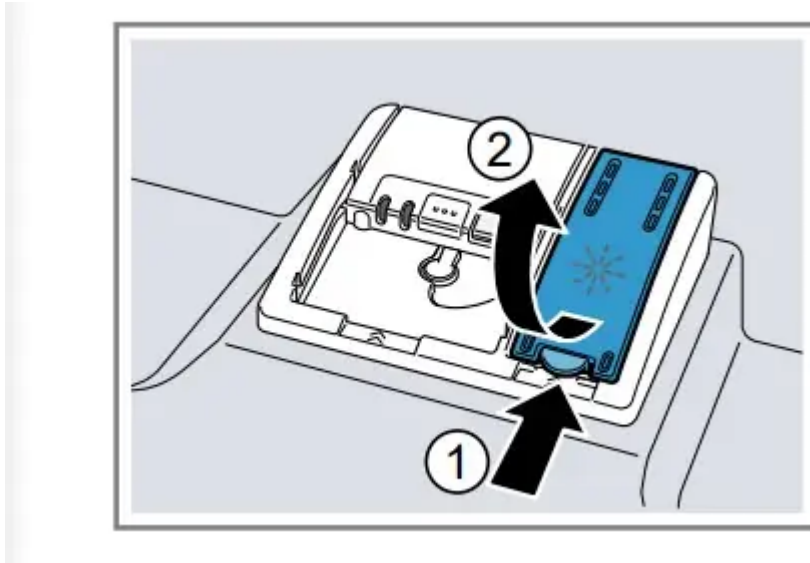
Rinse aid

For optimum drying results, use rinse aid. Only use rinse aid intended for household dishwashers.

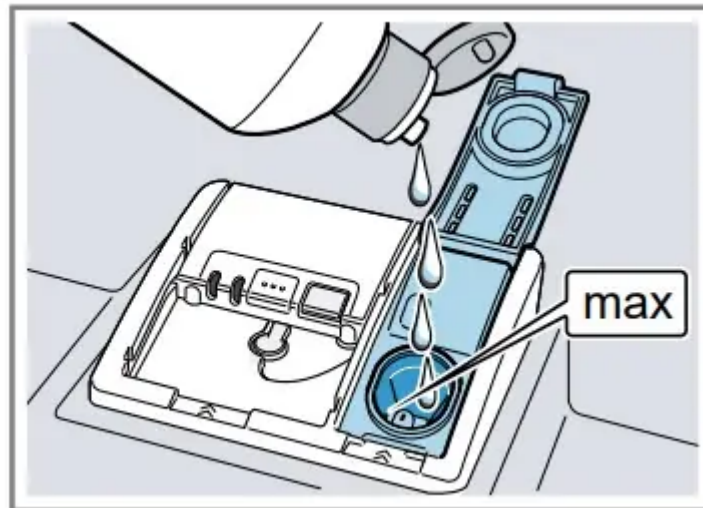
Adding rinse aid

If the rinse aid refill indicator lights up, fill the dispenser with rinse aid. Only use rinse aid intended for household dishwashers.

1. Press the catch on the lid of the dispenser for rinse aid (1) and lift (2).



2. Add rinse aid up to the max mark.



3. If rinse aid spills out, remove it from the tub. Spilled rinse aid can cause excessive frothing during the wash cycle.

4. . Close the lid of the dispenser for rinse aid.

- The lid clicks into position.

Setting the amount of rinse aid

If there are streaks or water spots on dishware, change the amount of rinse aid.

1. **ON/OFF**
Press

2. To open the basic settings, press **Setup 3 sec** for 3 seconds.
 - The display shows Hxx.
 - The display shows **set**.
3. Press **Setup 3 sec** repeatedly until the display shows the value set at the factory r05.
4. Press **Start** repeatedly until the right amount of rinse aid has been set.
 - A low setting adds less rinse aid during the wash cycle and reduces streaking on dishware.
 - A higher setting adds more rinse aid during the wash cycle, reduces water spots and improves the drying result.
5. To save the settings, press **Setup 3 sec** for 3 seconds.

Switching the rinse aid system off

If you choose not to use rinse aid, you can turn the rinse aid system off.

Tip: Rinse aid within a combination detergent has limited effectiveness. You will generally get better results using a separate rinse aid.

1. Press **ON/OFF**.
2. To open the basic settings, press **Setup 3 sec** for 3 seconds.
 - The display shows Hxx.
 - The display shows **set**.
3. Press **Setup 3 sec** repeatedly until the display shows the value set at the factory r05.
4. Press **Start** repeatedly until the display shows r00.
5. To save the settings, press **Setup 3 sec** for 3 seconds.
 - The rinse aid system is switched off and the rinse aid refill indicator is deactivated.

Detergent

Find out which detergents are suitable for your appliance.

The correct detergents

Only use detergents that are made for dishwashers, either basic or combination detergents. For the best washing and drying results, use a separate detergent, then add Special salt and Rinse aid → Page 22 separately. Modern, powerful detergents mainly use a low-alkaline formulation with enzymes. Enzymes break down starch and remove protein. Oxygen-based bleaching agents are generally used to remove colored stains, e.g. tea or ketchup. Note: Follow the manufacturer's instructions for each detergent.

Detergent	Description
Tabs	<p>Tabs are perfect for all cleaning functions and do not need to be measured out. However, with shorter Cycles → Page 14 sometimes tabs do not dissolve entirely and leave residues of detergent. This may reduce its effectiveness.</p>
Powder detergent	<p>Powder detergent is recommended for shorter cycles. The dosage can be adjusted to the level of soiling.</p>
Liquid detergent	<p>Liquid detergent works faster and is recommended for shorter cycles without a pre-rinse. Sometimes liquid detergent may leak out despite the detergent dispenser being closed. This is not a problem, just remember the following:</p> <ul style="list-style-type: none"> • Only choose a cycle without PreRinse. • Do not use the Delay Start option. <p>The dosage can be adjusted to the level of soiling.</p>

Incompatible detergents

Do not use a detergent which is not designated for dishwasher use or contains chlorine.

Detergent	Description
Liquid hand soap	<p>Liquid hand soap can cause increased frothing and damage the appliance.</p>
Detergent containing chlorine	<p>This may leave chlorine residue on dishware.</p>

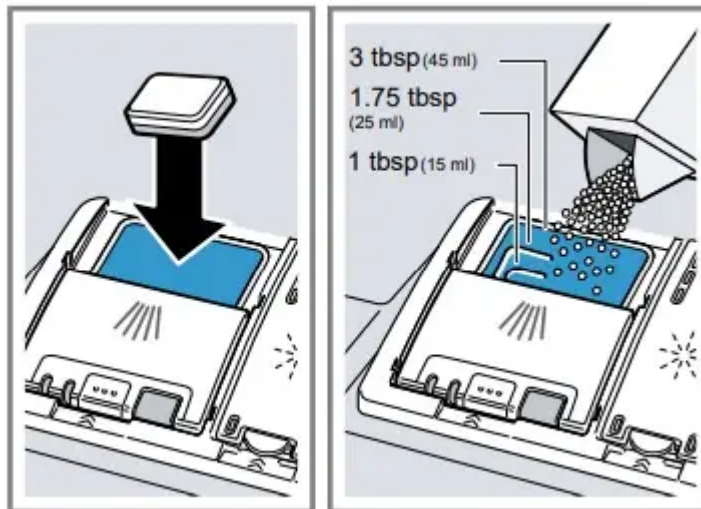
Information on Detergent

Follow the instructions on detergents in everyday use.

- Detergents marked as "ecological" (environmentally friendly) generally contain lower levels of active agents or none at all. The cleaning effect may be reduced.
- Adjust the rinse aid and the water softening system settings in accordance with the detergent or combination detergent in use.
- According to manufacturers, combination detergents with salt replacement substances can only be used up to a certain water hardness, usually 26 °E, without adding special salt. For the best washing and drying results we recommend using special salt from a water hardness of 17 °E.
- Any rinse aid component of a combination detergent has limited effectiveness. You will have better results using a separate rinse aid.
- To prevent sticking, only touch detergents in a water-soluble pouch with dry hands and only ever place them in a dry detergent dispenser.
- Even if the rinse aid and special salt refill indicators light up, the wash cycles will run properly with combination detergents.
- Use tablets with enhanced drying results.

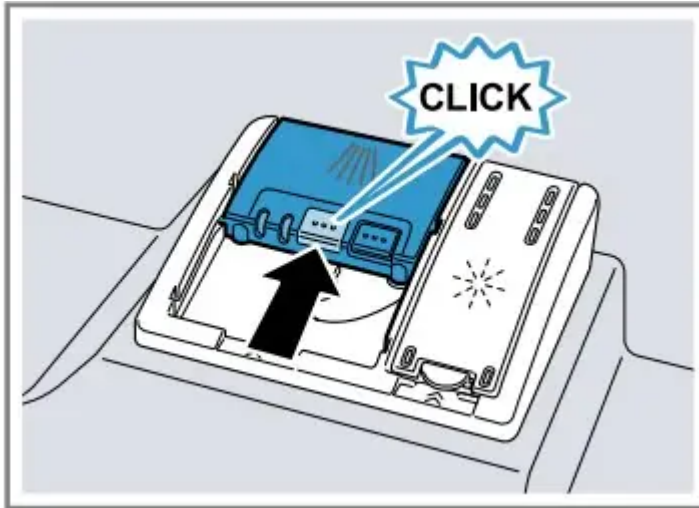
Adding Detergent

1. To open the detergent dispenser, press the locking latch.
2. Add the detergent to the dry detergent dispenser.



If you are using tablets, one is enough. Insert the tablets in a horizontal position. If you are using powder or liquid detergent, follow the manufacturer's instructions and quantities for dosage in the detergent dispenser. 1.5 to 1.75 Tbsp (20 ml – 25 ml) detergent is sufficient for normal soiling. If dishware is only lightly soiled, slightly less than the amount of detergent specified is usually sufficient.

3. Close the lid of the detergent dispenser.



- The lid clicks into position.
- The detergent dispenser will open automatically at the optimum time during the cycle. Powder or liquid detergent will spread around the washing tank and dissolve there. Tablets will fall into the tablet collecting tray and dissolve in the right dosage. In order to ensure that tablets can dissolve evenly, do not place any other objects in the tablet collecting tray.

Tip: If you use powder detergent and select a cycle with pre-rinse, you can also add a little detergent to the interior door of the appliance.

Detergent table

Detergent amount guidelines

Auto	1.75 Tbsp (25 ml) or 1 tab
Norma	1.75 Tbsp (25 ml) or 1 tab
Heavy	3 Tbsp (45 ml) or 1 tab

Dishware

Only wash dishware that is suitable for dishwashers.

Note: Decorated glassware and parts made of aluminum or silver may fade or discolor with dishwashing. Delicate types of glass may turn cloudy after a few wash cycles.

Damage to glass and dishware

Avoid damage to glass and dishware.

Cause	Recommendation
<p>The following dishware is not suitable for dishwashers:</p> <ul style="list-style-type: none"> • Items of silverware and dishware made from wood • Decorated glassware, antique and hand-crafted dishware • Plastic dishware not resistant to heat • Dishware made from copper or tin • Dishware soiled with ash, wax, lubricating grease or paint • Very small items of dishware 	<p>Only put dishware in the dishwasher if it is marked as suitable for dishwashers by the manufacturer.</p>
<p>Glass and dishware is not suitable for dishwashers.</p>	<p>Only put glasses and china in the dishwasher if it is marked as suitable for dishwashers by the manufacturer.</p>
<p>The chemical composition of the detergent causes damage.</p>	<p>Use a detergent marked as kind to dishware by the manufacturer.</p>
<p>Highly caustic alkaline or highly acidic cleaning agents, in particular commercial or industrial cleaning agents, are not suitable for dishwashers in conjunction with aluminum.</p>	<p>If you are using highly caustic alkaline or highly acidic cleaning agents, in particular commercial or industrial cleaning agents, do not put aluminum parts inside the dishwasher.</p>
<p>The water temperature of the program is too high.</p>	<p>Select a program with lower temperatures. After the cycle has ended, take glassware and silverware out of the appliance without delay.</p>

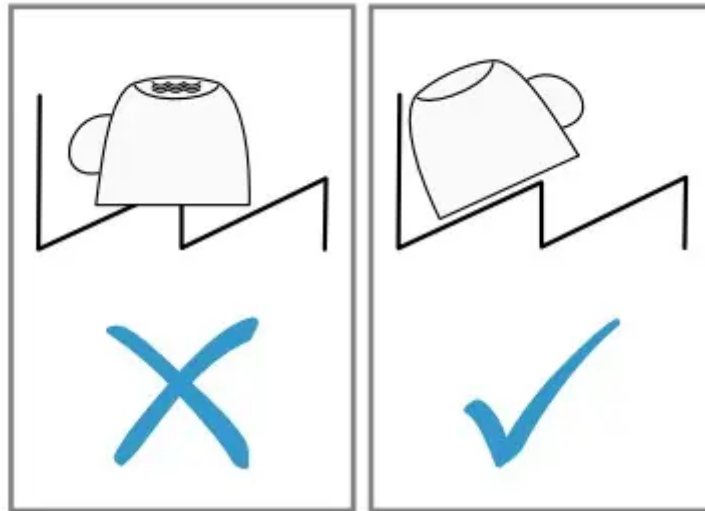
Loading dishware

Arrange dishware correctly to optimize the dishwashing result and prevent damage to both dishware and the appliance.

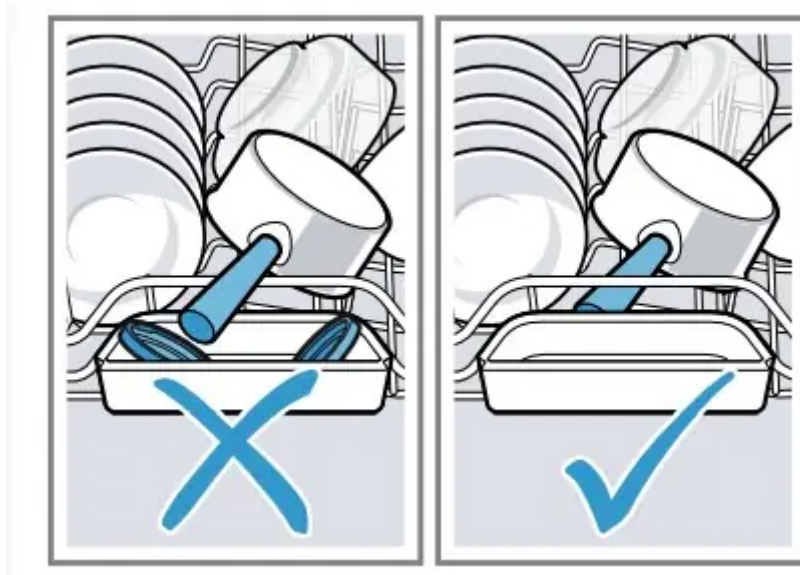


Tips

- Using the appliance allows you to save energy and water compared to washing-up by hand.
- See our website for examples of how to load your appliance efficiently, free of charge.
- To save energy and water, load the machine with the number of place settings specified.
- For better washing and drying results, position items with curves or recesses at an angle so water can run off.



1. Remove large remnants of food from dishware. To save resources, do not prerinse dishware under running water.
2. Observe the following when arranging dishware:
 - Put heavily soiled dishware in the lower rack, e.g. pans. The more powerful spray jet ensures that the dishwashing result will be better.
 - To avoid damage to dishware, arrange it so it is stable and cannot tip over.
 - To avoid injury, arrange silverware with the points and sharp edges down.
 - Position containers with the openings facing down so no water can collect in them.
 - Do not block the spray arms - make sure that they can turn freely.
 - Do not place small parts in the collecting tray and do not block it with dishware so as not to obstruct the lid of the detergent dispenser.



Removing dishware

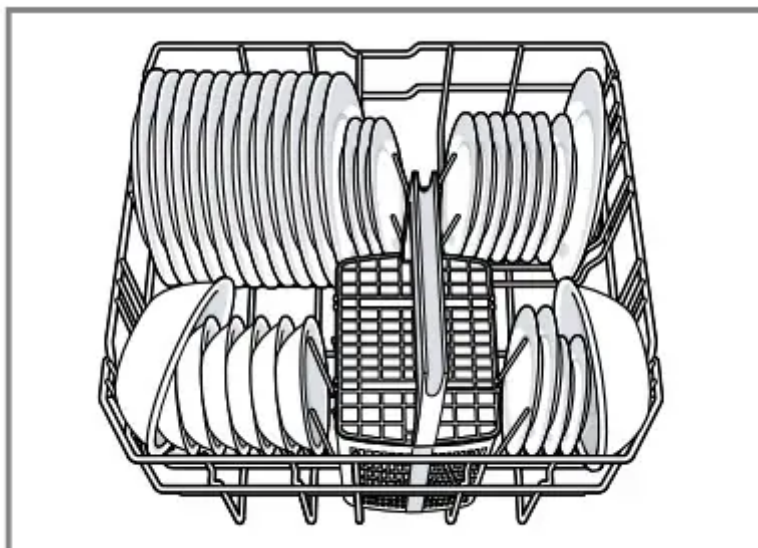
1. To prevent water dripping onto dishware, unload it starting at the bottom and working up.
2. Check the washing tank and accessories for soiling and clean if necessary. → "Cleaning and maintenance", Page 35

Loading patterns

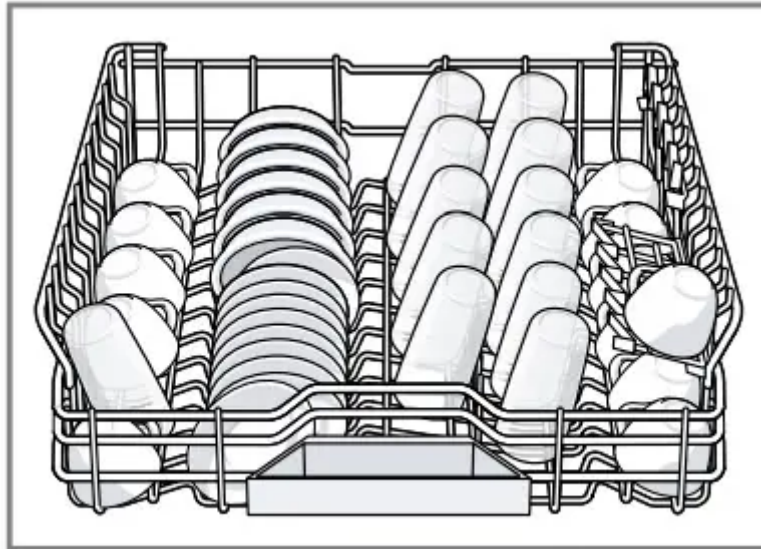
Recommended loading patterns.

12 place settings:

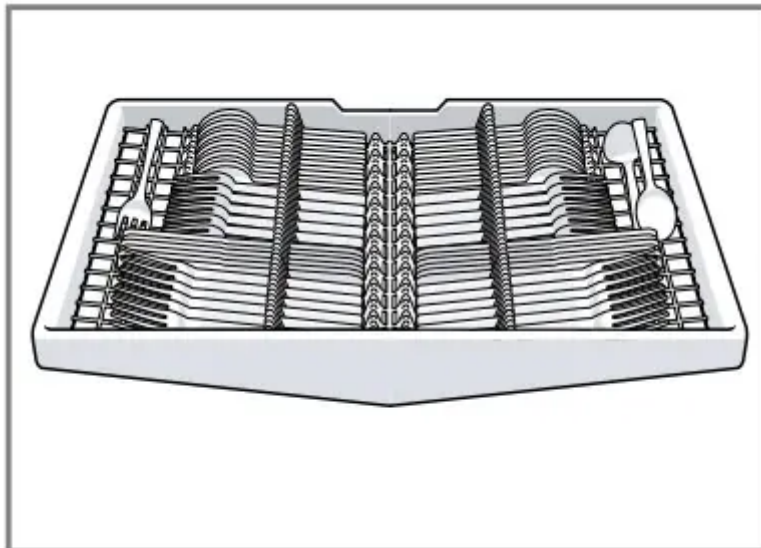
Lower rack



Upper rack

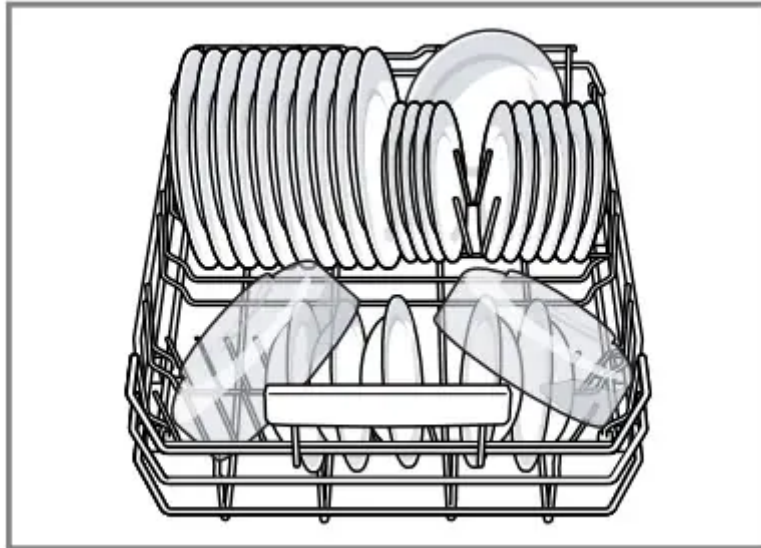


Third rack



Additional loading patterns for 10 place settings:

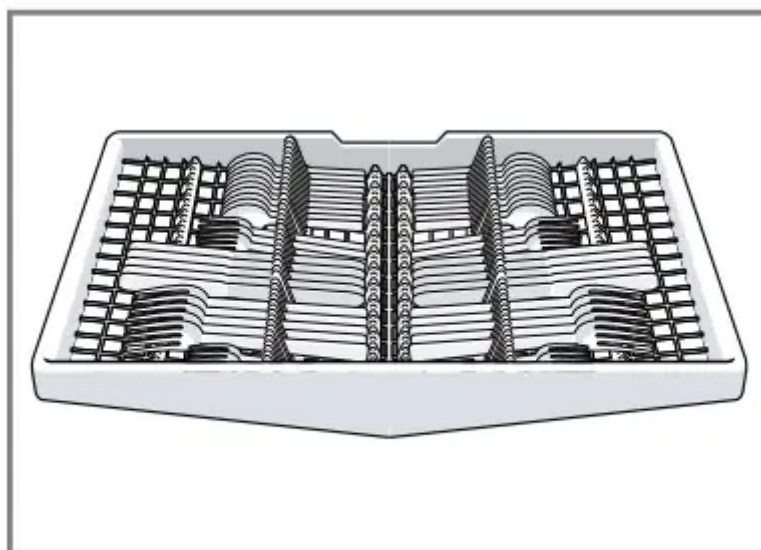
Lower rack



Upper rack



Third rack



Basic Operation

Protection against unintentional operation

Your appliance is equipped with a function that helps to prevent unintentional operation, e.g. by children. After starting the appliance, the door has to be closed within 4 seconds, otherwise the operation will be paused.

Requirements

- Pressing Start to begin a wash cycle
- Setting Delay time and pressing Start
- Opening the door while Delay time is active
- Opening the door during a wash cycle.

1. Close the door.

2. Press **Start** .

- The wash cycle will resume.

Switching on the appliance

- **ON/OFF**

Press

The program last selected and the additional function last selected will be set by default. If you do not perform any actions on the appliance for 10 minutes, it will automatically switch off.

Setting a cycle

To adjust the wash cycle to the soiling level of the dishware, select a suitable cycle.

- Press the right cycle button.
- The cycle is set and the cycle button flashes.
- The remaining run time of the cycle appears on the display.

Setting options




You can set options to complete the chosen cycle.

Note: The available options depend on which cycle is selected.

- Press the button for the relevant option.
- The option is set and the option button flashes.


Setting the electronic delay time

You can delay the start of the wash cycle by up to 24 hours.

1. Press .
"h:01" appears on the display.
2. Use  to set the required start time for the wash cycle.
3. Press .
This activates the electronic delay time.

Tip: To deactivate the electronic delay time, press repeatedly until "h:00" appears on the display.

Starting the wash cycle



- Press .
- The wash cycle has ended when the display shows "0h:00m".

Notes


- If you want to add more dishware while the appliance is running, do not use the collecting tray as a handle for the upper rack. You might touch the partially dissolved tablet.
- You can only change a cycle in progress if you can cancel it first. → "Terminating the wash cycle", Page 30
- To save energy, the appliance switches off automatically 10 minutes after the end of the wash cycle. If you open the appliance door immediately after the wash cycle has ended, the appliance will switch off after 4 seconds.

Activating the button lock

The button lock prevents the appliance from being operated accidentally or incorrectly while running.

- Press  for approx. 3 seconds.
 - The button lock is activated and will be automatically deactivated at the end of the cycle.
 -  flashes on the display when the appliance is running.
 - The button lock remains activated with a power failure.

Deactivating the button lock

- Press  for approx. 3 seconds.

Interrupting the wash cycle

1. Press On/Off. The program is saved and the appliance switches off.
2. Press On/Off.
3. Press to resume the wash cycle.

Terminating the wash cycle

To end a cycle early or to switch from one that has already started, you will need to cancel it first.

- Press **Reset 4 sec** for approx. 4 seconds.
 - All displays light up.
 - As soon as the displays are off, the display shows "0h:01m" and the residual water is pumped out.
 - The cycle is cancelled and ends after approx. 1 minute.

Switching off the appliance

CAUTION To avoid risk of injury, always use caution when opening the door during or following a wash cycle as hot water or steam may escape.

- Do not fully open the door until water noises have stopped and steam has subsided.
1. Please note the information on Preventing Material Damage → Page 9.
 2. Press On/Off.

Basic settings


You can configure your appliance to meet your needs.

Overview of the basic settings

The basic settings depend on the features of your appliance.

Basic setting	Display text	Selection	Description
W. hardness	H00 ¹	H00 - H07	Set the water softening system to your water hardness. → "Setting the water softening system", Page 20 Level H00 switches the water softening system off.
Rinse aid disp.	r05 ¹	r00 - r06	Set the amount of rinse aid. → "Setting the amount of rinse aid", Page 22 Switch the rinse aid system off with level r00.
Intensive drying	d00 ¹	d00 - d01	The temperature is increased during the final rinse, which improves the drying result. This may increase the run time slightly. Note: Not suitable for delicate items of dishware. Switch Intensive drying on "d01" or off "d00".
Wi-Fi	Cn0 ¹	Cn0 - Cn1	Switch the wireless network connection on or off. Level "Cn0" switches the wireless network connection off.

¹ Factory setting (may vary according to model)

Remote Start	rc1 ¹	rc0 - rc2	Activate or deactivate . The following settings are possible: <ul style="list-style-type: none"> ▪ With the setting "rc0", the option is permanently deactivated. ▪ With the setting "rc1", the option can be selected via the  button. ▪ With the setting "rc2", the option is permanently activated.
Factory setting	rE	Starting with Start YES Confirming with Start	Restore changed settings to the factory settings. The settings for initial use must be configured.

¹ Factory setting (may vary according to model)

Changing the basic settings

1. Press **ON/OFF**.
2. To open the basic settings, press **Setup 3 sec** for 3 seconds.
 - The display shows Hxx.
 - The display shows **set**.
3. Press **Setup 3 sec** repeatedly until the display shows the required setting.
4. Press **Start** repeatedly until the display shows the right value. You can change one or more settings.
5. To save the settings, press **Setup 3 sec** for 3 seconds.

Home Connect™

This appliance is network-capable. Connecting your appliance to a mobile device lets you control its functions via the Home Connect™ app. Home Connect™ services are not available in every country. Availability of the Home Connect™ function depends on the availability of Home Connect™ services in your country. You can find information on this at: www.home-connect.com. To be able to use Home Connect™, you must first set up the connection to the WLAN home network (Wi-Fi 1) and to the Home Connect™ app.

- → "Connecting appliance to the WLAN home network (Wi-Fi)", Page 33

The Home Connect™ app will guide you through the entire registration process. Follow the instructions in the Home Connect™ app to make the settings.

Tips

- Please consult the Home Connect™ documents supplied.
- Please also note the information in the Home Connect™ app.

Note: Please also note the safety information in this instruction manual and ensure that it is also observed when operating the appliance using the Home Connect™ app.

Home Connect™ quick start

Installing the app

1. Install the Home Connect™ app on your mobile device.



2. Start the app and set up access for Home Connect™. The Home Connect™ app will guide you through the entire registration process.

Connecting appliance to the WLAN home network (Wi-Fi)

Requirements

- Home Connect™ app is installed on your mobile device.
- Wi-Fi is activated on the router.
- The appliance receives signals from the WLAN home network (Wi-Fi) at its installation location.

1. Scan the QR code using the Home Connect™ app.



2. Follow the instructions in the Home Connect™ app.

Home Connect™ settings

Adapt Home Connect™ to your needs. You can find the Home Connect™ settings in the basic settings for your appliance. Which settings the display shows will depend on whether Home Connect™ has been set up and whether the appliance is connected to your home network.

Remote start

You can use the Home Connect™ app to start the appliance with your mobile device.

Activating remote start

If you have selected remote start "rc1" with the basic setting, you can activate the remote start function on your appliance.

Requirements

- The appliance is connected to your WLAN home network.
- The appliance is connected to the Home Connect™ app.
- With the basic setting Remote start → Page 31, "rc1" is selected.
- A program is selected.

-  Press  .

If you open the appliance door, remote start is automatically deactivated.

- The remote start button flashes.

Remote Diagnostics

The Customer Service can access your appliance via Remote Diagnostics if you ask them to do so, if your appliance is connected to the Home Connect™ server and if Remote Diagnostics is available in the country where you are using the appliance.

Software update

You can use this function to update the software of your appliance, e.g. for optimization, troubleshooting or safety-relevant updates. The Home Connect™ app informs you about available software updates.

Data Protection

Please see the information on data protection. The first time your appliance is registered on a home network connected to the Internet, your appliance will transmit the following types of data to the Home Connect™ server (initial registration):

- Unique appliance identification (consisting of appliance codes as well as the MAC address of the installed Wi-Fi communication module).
- Security certificate of the Wi-Fi communication module (to ensure a secure data connection).
- The current software and hardware version of your appliance.
- Status of any previous reset to factory settings. This initial registration prepares the Home Connect™ functions for use and is only required when you want to use the Home Connect™ functions for the first time.

Cleaning and maintenance

To keep your appliance working efficiently for a long time, it is important to clean and maintain it carefully.

Cleaning the tub

1. Remove any heavy soiling in the interior with a damp cloth.
2. Add detergent to the detergent dispenser.
3. Select the program with the highest temperature.
4. Start the program without dishware. → Page 29

Machine Care

Deposits, e.g. from food remnants and limescale, can cause your appliance to malfunction. To avoid these problems and reduce odors, we recommend cleaning your appliance at regular intervals. Machine Care combined with machine cleaning products will provide the right care for your appliance.

Cleaning agent

Only use suitable cleaning agents to clean your appliance.

Tips on appliance care

Follow the tips on appliance care to make sure your appliance functions properly at all times.

Action	Benefit
Regularly wipe the door seals, the front of the dishwasher and the control panel using a damp cloth and dishwashing liquid.	This ensures the parts of the appliance will remain clean and hygienic.
If the appliance is not going to be used for a while, leave the door slightly ajar.	This will prevent unpleasant odors

Machine Care is a program which removes various deposits in one wash cycle. Cleaning takes place in two phases:

Phase	Removal of	Cleaner	Placement
1	Grease and limescale	Liquid machine care product or machine descaler in powder form.	Appliance interior, e.g. bottle hung in the silverware basket or powder in the interior.
2	Food remnants and deposits	Machine cleaner	Detergent dispenser

To ensure optimal cleaning performance, the program doses the cleaners independently of each other during the relevant cleaning phase. Therefore, it's important to place the cleaners correctly. Run Machine Care without dishware if the indicator for Machine Care lights up on the control panel or if advised to do so by the display. The indicator will go out after you have run Machine Care. If your appliance does not have a reminder function, we recommend performing Machine Care every 2 months.

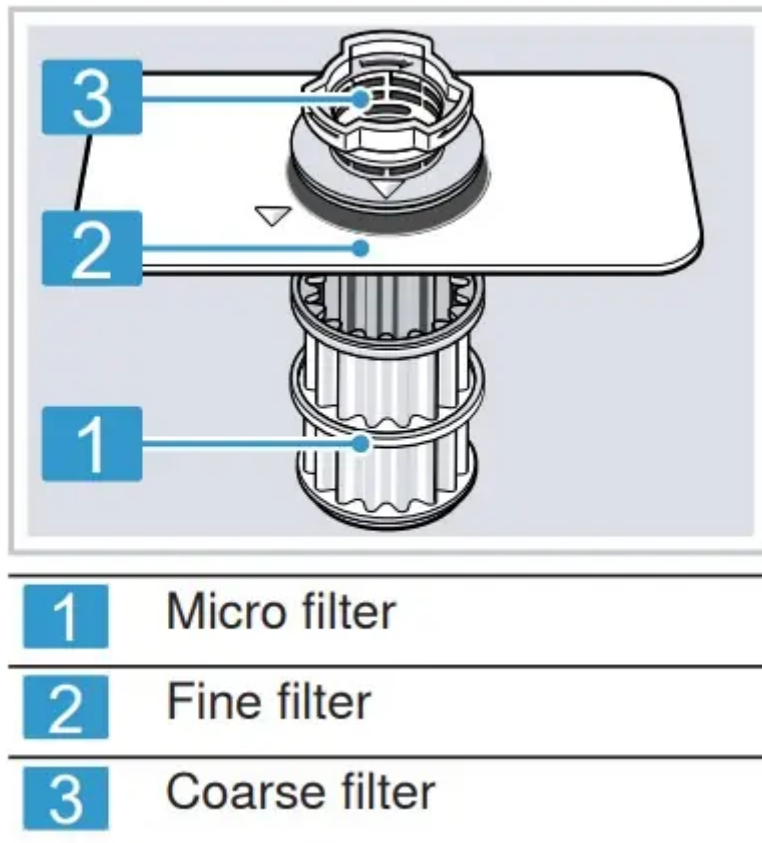
Run Machine Care

Run the Machine Care program if the indicator for Machine Care lights up on the control panel or if advised to do so by the display

1. Remove any heavy soiling in the interior with a damp cloth.
2. Clean the filters.
3. Place the machine care product in the appliance interior. Only use machine care products specially designed for dishwashers.
4. Pour the machine cleaner into the detergent dispenser until it is filled completely. Do not place any additional machine cleaner in the appliance interior.
5. Press **Machine Care**.
6. Press **Start**.
 - Machine Care is run.
 - Once the wash cycle has ended, the indicator for Machine Care goes out.

Filter system

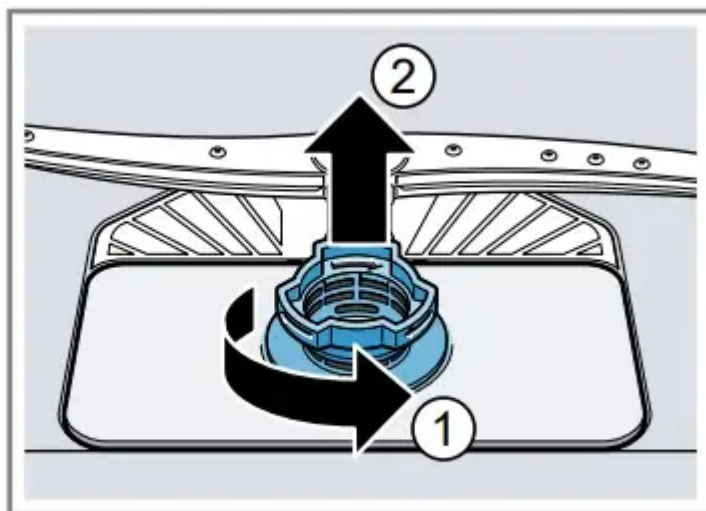
The filter system removes coarse soiling from the dishwashing cycle.



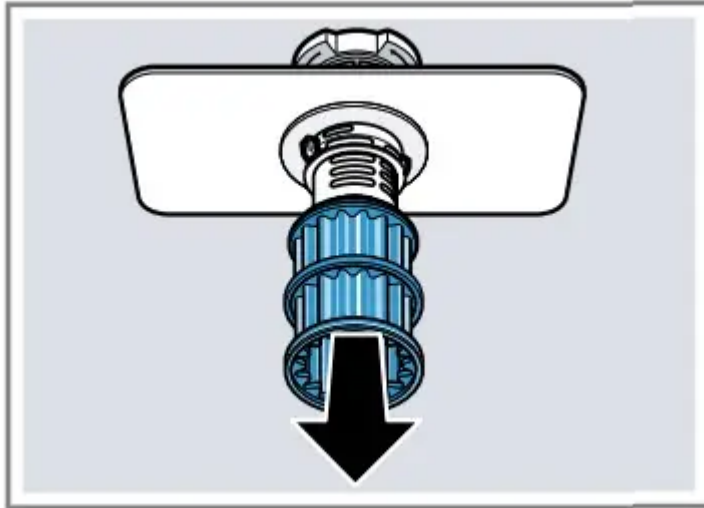
Cleaning filters

Soiling in the dishwashing water may block the filters.

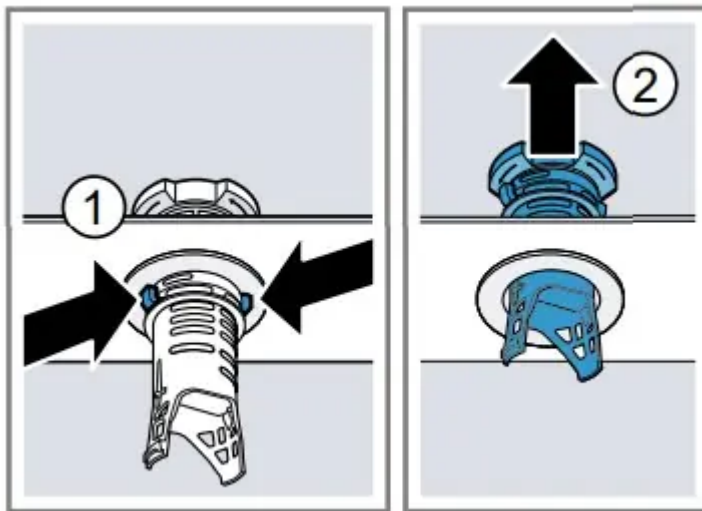
1. Check the filters for residue after each wash.
2. Turn the coarse filter anticlockwise (1) and remove the filter system (2).
 - Make sure that no foreign objects fall into the sump.



3. Pull down the micro filter to remove.



4. Press the locking catches (1) together and lift the coarse filter out (2) .



5. Clean the filter elements under running water. Carefully clean the rim of dirt between the coarse and fine filter. 6.

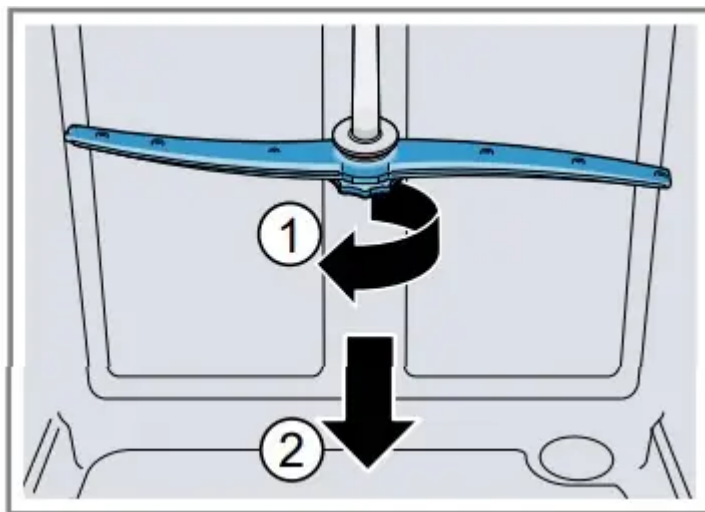
6. Reassemble the filter system. Make sure that the locking catches on the coarse filter click into position.

7. Insert the filter system into the appliance and turn the coarse filter clockwise. Make sure that the arrow markings match up.

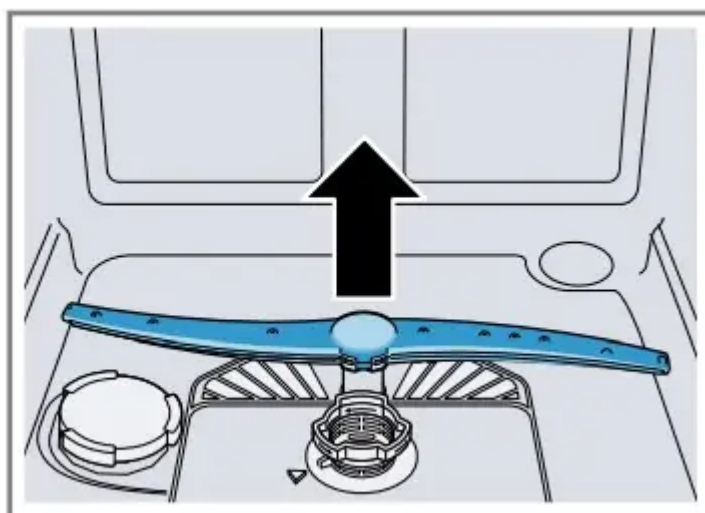
Cleaning the spray arms

Limescale and soiling in the dishwashing water may block the nozzles and bearings on the spray arms. Clean the spray arms regularly.

1. Unscrew the upper spray arm (1) and pull down to remove (2) .



2. Pull up the lower spray arm to remove.

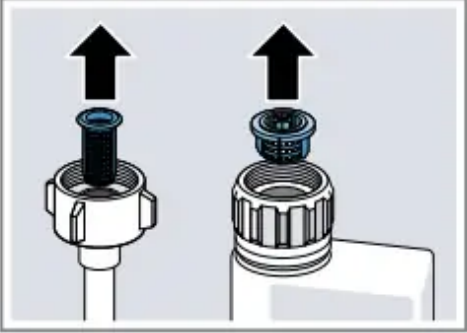


3. Check the outlet nozzles on the spray arms for blockages under running water and remove any foreign objects.
4. Insert the lower spray arm.
 - The spray arm clicks into position.
5. Insert the upper spray arm and screw firmly in place.

Troubleshooting

Troubleshooting You can eliminate minor issues on your appliance yourself. Please read the information on eliminating issues before contacting Customer Service. This may avoid unnecessary repair costs.

Issue	Cause and troubleshooting
E:20-60 lights up alternately	<p>Appliance has detected heating element is calcified.</p> <ol style="list-style-type: none"> 1. Descale the appliance. 2. Operate the appliance with the Water softening system.
E:30-00 lights up alternately.	<p>Water protection system is activated.</p> <ol style="list-style-type: none"> 1. Turn off the water faucet. 2. Call customer service → Page 51
E:31-00 lights up alternately.	<p>Water protection system is activated.</p> <ol style="list-style-type: none"> 1. Turn off the water faucet. 2. Call customer service → Page 51
E:34-00 lights up alternately.	<p>Water is continuously running into the appliance</p> <ol style="list-style-type: none"> 1. Turn off the water faucet. 2. Call customer service → Page 51
E:32-00 lights up alternately or indicator for water supply lights up.	<p>The inlet hose is kinked.</p> <ul style="list-style-type: none"> • Install the inlet hose without kinks.
	<p>Water faucet is turned off.</p> <ul style="list-style-type: none"> • Turn on the faucet.
	<p>Water faucet is jammed or furred up.</p> <ul style="list-style-type: none"> • Turn on the faucet. The flow rate must be at least 10 l/min when the water supply is open.
	<p>Filters in the water connection of the supply or AquaStop hose are blocked.</p> <ol style="list-style-type: none"> 1. Switch off the appliance. 2. Pull out the power cord plug.

	<ol style="list-style-type: none"> 3. Turn off the water faucet. 4. Unscrew the water connection. 5. Remove the filter from the supply hose.  <ol style="list-style-type: none"> 6. Clean the filter. 7. Reinsert the filter in the supply hose. 8. Screw the water connection back on. 9. Check the water connection for leaks. 10. Restore the power supply. 11. Switch the appliance on.
E:92-40 lights up alternately	<p>Filters are soiled or blocked.</p> <ul style="list-style-type: none"> • Clean the filters. → "Cleaning filters", Page 37
E:61-03 lights up alternately. Water is not drained off.	<p>Wastewater hose is blocked or kinked.</p> <ol style="list-style-type: none"> 1. Reposition the wastewater hose without kinks. 2. Remove residues. <hr/> <p>Siphon connection is still sealed.</p> <ul style="list-style-type: none"> • Check the connection to the siphon and open if necessary. <hr/> <p>Cover of wastewater pump is loose.</p> <ul style="list-style-type: none"> • Secure the cover of the Wastewater pump → Page 49 so it clicks into position.

E:61-02 lights up alternately.

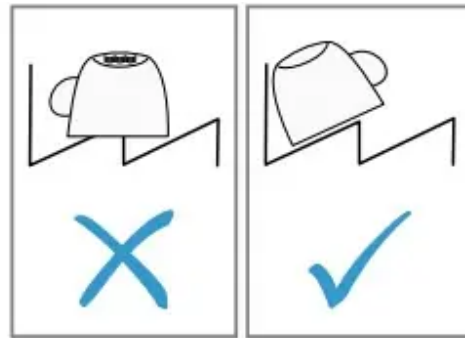
	<p>Wastewater pump is blocked.</p> <ul style="list-style-type: none"> • Clean the wastewater pump. → "Clean wastewater pump", Page 49
	<p>Cover of wastewater pump is loose.</p> <ul style="list-style-type: none"> • Secure the cover of the Wastewater pump → Page 49 so it clicks into position.
<p>E:90-01 lights up alternately.</p>	<p>Power voltage is too low. There is no problem with the appliance.</p> <ol style="list-style-type: none"> 1. Call an electrician. 2. Have the power voltage and electrical installation checked by an electrician.
<p>A different error code appears in the display window. E:01-00 to E:90-10</p>	<p>A technical fault is present.</p> <ol style="list-style-type: none"> 1. Press ON/OFF . 2. Pull out the power cord plug of the appliance or switch off the breaker. 3. Wait at least 2 minutes. 4. Insert the power cord plug of the appliance in a power outlet or switch on the breaker. 5. Switch the appliance on. 6. If the problem occurs again: <ul style="list-style-type: none"> ◦ Press ON/OFF. ◦ Turn off the water faucet. ◦ Pull out the power cord plug. ◦ Contact customer service → Page 51 and give the error code.
<p>Dishware is not dry</p>	<p>No rinse aid used or dosage set too low.</p> <ol style="list-style-type: none"> 1. Add Rinse aid → Page 22. 2. Set the amount of rinse aid to be dispensed. → "Setting the amount of rinse aid", Page 22

Cycle or cycle option has no drying phase, or drying phase is too short.

- Select a wash cycle with drying. → Page 14 Some option buttons decrease the drying result.

Water collects in recesses of dishware or silverware.

- Position dishware at an angle where possible



The combined detergent used has a poor drying performance.

1. Use rinse aid to improve drying performance.
2. Use a different combined detergent with a better drying performance.

Extra Dry not activated to improve drying performance.

- Activate Extra Dry.

Dishware removed too early or drying process not yet ended.

1. Wait until the program ends.
2. Only remove dishware 30 minutes after the program has ended.

	<p>Rinse aid used has a limited drying performance.</p> <ul style="list-style-type: none"> • Use a name-brand rinse aid. Eco products may have limited effectiveness
<p>Silverware is not dry</p>	<p>Silverware not arranged properly in the silverware basket or silverware drawer. Droplets can form on the contact points of silverware.</p> <ol style="list-style-type: none"> 1. Arrange silverware individually where possible. → Page 26 2. Avoid points of contact
<p>Appliance interior still wet after wash cycle.</p>	<p>Not an error. Condensation drying creates water droplets in the tub. This is normal. Moisture in the air condenses on the inside walls of the appliance, runs off, and is pumped out. No action required.</p>
<p>Food remnants on dishware.</p>	<p>Dishware was placed too close together or rack is overfilled.</p> <ol style="list-style-type: none"> 1. Arrange dishware with sufficient space in between. The spray jets must reach the surfaces of the dishware. 2. Avoid points of contact.
	<p>Spray arm rotation is blocked.</p> <ul style="list-style-type: none"> • Arrange dishware so it does not obstruct spray arm rotation.
	<p>Spray arm nozzles are blocked.</p> <ul style="list-style-type: none"> • Clean the Spray arms → Page 38.
	<p>Filters are soiled.</p> <ul style="list-style-type: none"> • Clean the filters. → "Cleaning filters", Page 37



	<p>Filters are inserted incorrectly and/or not engaged.</p> <ol style="list-style-type: none"> 1. Insert the filters properly. → "Filter system", Page 37 2. Twist filters into place.
	<p>Washing program selected too weak.</p> <ul style="list-style-type: none"> • Select a more intensive washing program
	<p>Dishware has been precleaned too intensively. The sensors then choose a weaker program. Stubborn soiling cannot be entirely removed.</p> <ul style="list-style-type: none"> • Only remove large remnants of food and do not prerinse dishware.
	<p>Tall narrow containers in corner areas are not rinsed out adequately.</p> <ul style="list-style-type: none"> • Do not position tall narrow containers at too great an angle or in corner areas.
	<p>Upper rack on right and left not set to same height.</p> <ul style="list-style-type: none"> • Set the upper rack on the right and left to the same height. → "Upper rack", Page 17
<p>Detergent residue in the appliance</p>	<p>Lid of the detergent dispenser is blocked by items of dishware and will not open.</p> <ol style="list-style-type: none"> 1. Arrange dishware in the upper rack so the tab collecting tray is not obstructed by dishware. → "Loading dishware", Page 26 Items of dishware are blocking the dispenser lid. 2. Do not place dishware or fragrance dispensers in the tab collecting tray.



	<p>The lid of the detergent dispenser is blocked by the tab and will not open.</p> <ul style="list-style-type: none"> • Position the tab in the detergent dispenser crosswise, not vertically.
	<p>Tabs are used in the quick or short cycle. There is not enough time for the tab to dissolve.</p> <ul style="list-style-type: none"> • Select a more intensive Wash cycle or use Powder detergent.
	<p>Detergent may lose its cleaning or dissolving ability after being stored a long time, or the detergent is clumped together.</p> <ul style="list-style-type: none"> • Change your Detergent.
<p>Water spots on plastic parts.</p>	<p>Droplet formation on plastic surfaces is unavoidable due to the laws of physics. Water spots are visible after drying.</p> <ul style="list-style-type: none"> • Select a more intensive program. • Position dishware at an angle. → "Loading dishware", Page 26 • Use rinse aid. → "Rinse aid", Page 22 • Set the water softening system higher.
<p>Wipeable or watersoluble coatings inside the appliance or on the door</p>	<p>Detergent substances are deposited there. These coatings cannot generally be removed with chemicals.</p> <ul style="list-style-type: none"> • Change your Detergent. • Clean the appliance mechanically. <p>White coating is deposited inside the appliance.</p> <ol style="list-style-type: none"> 1. Adjust the water softening system correctly. In most cases you will need to increase the setting. 2. If necessary, change your detergent.

	<p>Special salt dispenser is not screwed tight.</p> <ul style="list-style-type: none"> • Screw the special salt dispenser tight.
<p>There are stubborn white coatings on the dishware, inside the appliance or on the door.</p>	<p>Detergent substances are deposited there. These coatings cannot generally be removed with chemicals.</p> <ul style="list-style-type: none"> • Change your Detergent. • Clean the appliance mechanically.
	<p>The hardness range is set incorrectly, or the water hardness is greater than 62 °E (8.9 mmol/l).</p> <ul style="list-style-type: none"> • Set the Water softening system to the water hardness or add special salt.
	<p>3in1/organic/eco detergent is not effective enough.</p> <ul style="list-style-type: none"> • Set the Water softening system to the water hardness and use separate detergents (name brand, special salt, rinse aid).
	<p>Too little detergent is being used.</p> <ul style="list-style-type: none"> • Increase the amount of detergent used or change Detergent .
	<p>Washing program selected too weak.</p> <ul style="list-style-type: none"> • Select a more intensive washing program.
<p>Tea residue or lipstick marks on dishware.</p>	<p>Dishwashing temperature is too low.</p> <ul style="list-style-type: none"> • Select a program with a higher dishwashing temperature.
	<p>Too little detergent is being used or is unsuitable.</p> <ul style="list-style-type: none"> • Use a suitable Detergent and follow the manufacturer's instructions for the amount to be used.

	<p>Dishware has been precleaned too intensively. The sensors then choose a weaker program. Stubborn soiling cannot be entirely removed.</p> <ul style="list-style-type: none"> • Only remove large remnants of food and do not prerinse dishware.
<p>There are colored coatings (blue, yellow, brown) inside the appliance or on stainless steel dishware that are difficult or impossible to remove.</p>	<p>The formation of films is due to substances contained in vegetables (cabbage, celery, potatoes, noodles, etc.) or tap water (manganese).</p> <ul style="list-style-type: none"> • Clean the appliance. You can remove coatings with Mechanical cleaning → Page 35 or a machine cleaning product. It may not always be possible to completely remove coatings but they are harmless to health. <p>The formation of films is due to metal components on silver or aluminum dishware.</p> <ul style="list-style-type: none"> • Clean the appliance. You can remove coatings with Mechanical cleaning → Page 35 or a machine cleaning product. It may not always be possible to completely remove coatings but they are harmless to health.
<p>There are colored deposits (yellow, orange, brown) that are ey to remove inside the appliance (mainly at the bottom).</p>	<p>The formation of films is due to ingredients of food remnants and tap water (limescale), "soaplike".</p> <ol style="list-style-type: none"> 1. Check the setting of the water softening system. 2. Add special salt. 3. If you are using combined detergents (tabs), activate the water softening system. Follow the information on detergents.

<p>Plastic parts inside the appliance are discolored.</p>	<p>Plastic parts inside the appliance may become discolored over the life of the dishwasher.</p> <ul style="list-style-type: none"> • Discoloration may come about and will not impair functioning of the appliance.
<p>Plastic parts are discolored</p>	<p>colored. Dishwashing temperature is too low.</p> <ul style="list-style-type: none"> • Select a program with a higher dishwashing temperature.
	<p>Dishware has been precleaned too intensively. The sensors then choose a weaker program. Stubborn soiling cannot be entirely removed.</p> <ul style="list-style-type: none"> • Only remove large remnants of food and do not prerinse dishware.
<p>There are removable streaks on glasses, glassware with a metallic appearance and silverware.</p>	<p>Amount of rinse aid to be dispensed is set too high.</p> <ul style="list-style-type: none"> • Set the rinse aid system to a lower setting.
	<p>No rinse aid has been added.</p> <ul style="list-style-type: none"> • → "Adding rinse aid", Page 22
	<p>There is detergent residue in the final rinse. Lid of detergent dispenser is blocked by dishware and will not open fully.</p> <ol style="list-style-type: none"> 1. Arrange dishware in the upper rack so the tab collecting tray is not obstructed by dishware. → "Loading dishware", Page 26 Items of dishware are blocking the dispenser lid. 2. Do not place dishware or fragrance dispensers in the tab collecting tray.

	<p>Dishware has been precleaned too intensively. The sensors then choose a weaker program. Stubborn soiling cannot be entirely removed.</p> <ul style="list-style-type: none"> • Only remove large remnants of food and do not prerinse dishware.
<p>Irreversible clouding of glassware.</p>	<p>Glasses are not dishwasher-proof, only suitable for dishwashers.</p> <ul style="list-style-type: none"> • Use dishwasher-proof glasses. Glasses are usually only suitable for cleaning in a dishwasher, i.e. long-term wear or longterm changes must be expected. • Avoid a lengthy steam phase (standing time after wash cycle ends). • Use a program with a lower temperature. • Set the softening system to the water hardness. • Use detergent with a glass protection component.
<p>Detergent residue is present in the detergent dispenser or the tab collecting tray</p>	<p>Spray arms were blocked by dishware so detergent was not rinsed out.</p> <ul style="list-style-type: none"> • Check that the spray arms are not blocked and can rotate freely. <p>Detergent dispenser was damp when detergent was added.</p> <ul style="list-style-type: none"> • Only add detergent to the detergent dispenser when dry.
<p>Excessive formation of foam occurs.</p>	<p>Hand soap got in the rinse aid dispenser.</p> <ul style="list-style-type: none"> • Immediately add rinse aid to the dispenser. → "Adding rinse aid", Page 22 <p>Rinse aid has been spilled.</p> <ul style="list-style-type: none"> • Remove the rinse aid with a cloth.



	<p>Detergent or machine care product used causes excessive foaming.</p> <ul style="list-style-type: none"> • Change the brand of detergent.
<p>Connection to home network is not established.</p>	<p>WLAN on router is not active.</p> <ul style="list-style-type: none"> • Check the wireless network connection of your router
<p>WLAN display is flashing.</p>	<p>Connection to home network is not available.</p> <ul style="list-style-type: none"> • Activate the wireless network connection on your router.
<p>Home Connect cannot be implemented correctly</p>	<p>Home Connect set incorrectly.</p> <ul style="list-style-type: none"> • Please consult the documents supplied for Home Connect.
	<p>There is a technical error.</p> <ul style="list-style-type: none"> • Please consult the information on support in the documents supplied for Home Connect.
<p>Special salt refill indicator lights up.</p>	<p>Insufficient special salt.</p> <ul style="list-style-type: none"> • Add Special salt.
	<p>Sensor does not detect special salt tablets.</p> <ul style="list-style-type: none"> • Do not use special salt tablets.
<p>Refill indicator for special salt does not light up.</p>	<p>Water softening system is switched off.</p> <ul style="list-style-type: none"> • Adjust water softening system

<p>Refill indicator for rinse aid lights up.</p>	<p>No rinse aid.</p> <ol style="list-style-type: none"> 1. Add Rinse aid → Page 22. 2. Set the amount of rinse aid to be dispensed. → "Setting the amount of rinse aid", Page 22
<p>Refill indicator for rinse aid does not light up.</p>	<p>Rinse aid system is switched off.</p> <ul style="list-style-type: none"> • Set the amount of rinse aid.
<p>Display flashes.</p>	<p>Appliance door is not closed properly.</p> <ul style="list-style-type: none"> • Close the appliance door. <ul style="list-style-type: none"> ◦ Arrange the dishware so that no parts project beyond the rack and prevent the appliance door from closing properly.
<p>Water is left in the appliance at the end of the program.</p>	<p>Filter system or area under the filters is blocked.</p> <ol style="list-style-type: none"> 1. Clean the Filters → Page 37. 2. Clean the Wastewater pump → Page 49.
	<p>Program has not yet ended.</p> <ul style="list-style-type: none"> • Wait until the program ends or terminate the program with Reset. • → "Terminating the wash cycle", Page 30
<p>Appliance cannot be switched on or operated.</p>	<p>Software update is taking place.</p> <ul style="list-style-type: none"> • Wait until the software update has finished.
	<p>Appliance functions have failed.</p> <ol style="list-style-type: none"> 1. Pull out the power cord plug or switch off the breaker. 2. Wait at least 2 minutes. 3. Connect the appliance to the power supply. 4. Switch the appliance on.



Appliance does not start.	<p>The breaker has tripped.</p> <ul style="list-style-type: none"> • Check the relevant breaker.
	<p>Power cord is not inserted.</p> <ol style="list-style-type: none"> 1. Check whether the power outlet is working. 2. Check whether the power cord plug is properly inserted in the power outlet and on the rear of the appliance.
	<p>Appliance door is not closed properly.</p> <ul style="list-style-type: none"> • Close the appliance door.
Wash cycle starts up automatically	<p>You did not wait until the cycle ended.</p> <ul style="list-style-type: none"> • → "Terminating the wash cycle", Page 30
Appliance stops during the cycle or cuts out.	<p>Appliance door is not closed properly.</p> <ul style="list-style-type: none"> • Close the appliance door
	<p>Power and/or water supply has been interrupted.</p> <ol style="list-style-type: none"> 1. Check the power supply. 2. Check the water supply.
	<p>Upper rack is pressing against inner door and preventing appliance door from being closed securely.</p> <ul style="list-style-type: none"> • Check whether the rear panel of the appliance is being pressed in by a power outlet or a hose holder that has not been removed. • Arrange the dishware so that no parts project beyond the rack and prevent the appliance door from closing properly.
Appliance door cannot be closed.	<p>Door lock has been activated.</p> <ul style="list-style-type: none"> • Close the appliance door with greater force.

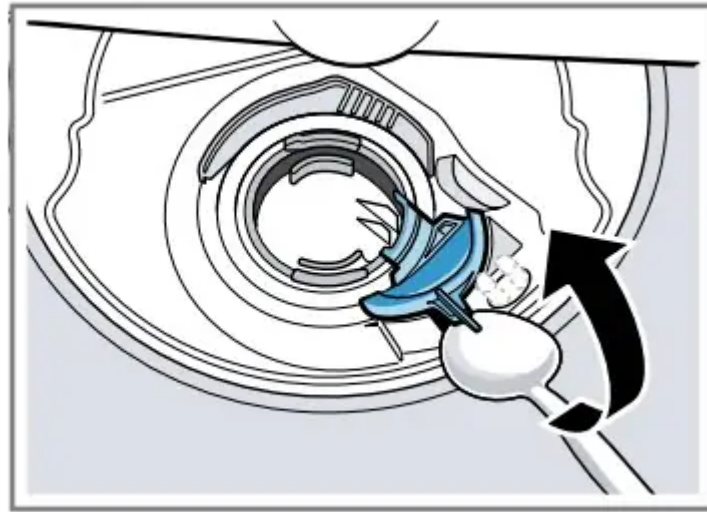
	<p>Door cannot be closed due to installation method.</p> <ul style="list-style-type: none"> • Check whether the appliance has been installed properly. When closed, the appliance door, its decor or attached parts should not knock against adjacent cabinets or the worktop.
Lid on the detergent dispenser cannot be closed.	<p>Detergent dispenser or lid are blocked by sticky detergent residue.</p> <ul style="list-style-type: none"> • Remove detergent residue.
Filling valves making knocking noises.	<p>Caused by the domestic installation. No fault present in the appliance. Does not affect functioning of the appliance.</p> <ul style="list-style-type: none"> • Can only be remedied in the home installation
Knocking or rattling noise.	<p>Spray arm is striking dishes.</p> <ul style="list-style-type: none"> • Arrange dishware so the spray arms do not strike dishware.
	<p>With a small load the water jets directly strike against the tub.</p> <ul style="list-style-type: none"> • Distribute the dishware evenly. • Load the appliance with more dishware.
	<p>Light items of dishware move about during the wash cycle.</p> <ul style="list-style-type: none"> • Position light items of dishware securely.

Clean wastewater pump

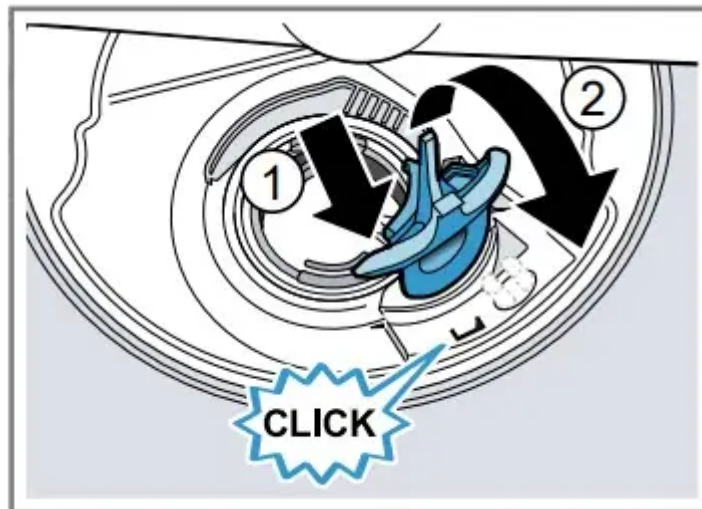
Large food remnants or foreign objects can block the wastewater pump. As soon as the dishwashing water no longer drains properly, the wastewater pump must be cleaned.

1. Disconnect the appliance from the power supply.
2. Remove the upper and lower rack

3. Remove the filter system.
4. Scoop out any water. Use a sponge if necessary
5. Prise off the pump cover using a spoon and grip it by the crosspiece.



6. Lift the pump cover inwards at an angle and remove.
7. Remove any food remnants or foreign objects in the area of the impeller.
8. Insert the pump cover (1) and press down (2)



- The pump cover clicks into position.

9. Install the filter system.
10. Insert the upper and lower rack.

Warning

This content is compiled from multiple sources and is provided for reference purposes only. It may not be complete or fully applicable to all situations. If you are unable to resolve your issue, please contact the product manufacturer or an authorized service provider for official support.

