

IMPORTANT SAFETY INSTRUCTIONS

PLEASE READ ENTIRE MANUAL PRIOR TO USE – SAVE THESE INSTRUCTIONS

Please read through these instructions completely to be sure you're comfortable with this easy install process. Check your TV owner's manual to see if there are any special requirements for mounting your TV.

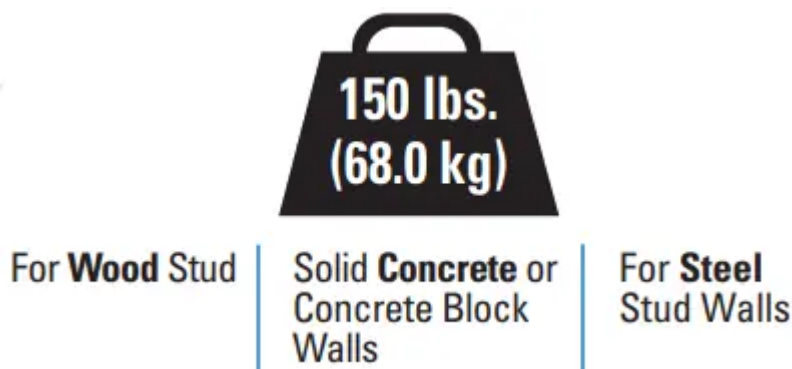
If you do not understand these instructions or have doubts about the safety of the installation, assembly or use of this product, contact Customer Service.

CAUTION: Avoid potential personal injuries and property damage!

- This product is designed ONLY to be installed into wood stud, solid concrete or concrete block or steel stud walls.
- DO NOT INSTALL INTO DRYWALL ALONE — DRYWALL ALONE WILL NOT HOLD THE WEIGHT OF YOUR TV.
- This product is designed for INDOOR USE ONLY.
- The wall must be capable of supporting five times the weight of the TV and mount combined.
- Do not use this product for any purpose not explicitly specified by manufacturer.
- Manufacturer is not responsible for damage or injury caused by incorrect assembly or use.

TV Weight Limit (including accessories)


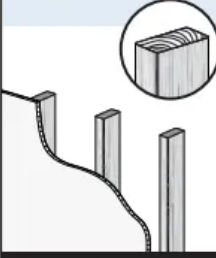
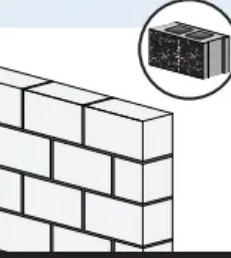
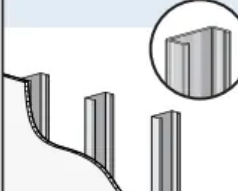
DO NOT EXCEED



If your TV, plus accessories, weighs MORE than indicated, this mount is NOT compatible.




Wall Construction



ONLY install on these acceptable wall types.




<p>CAUTION:</p> <p>DO NOT install in drywall alone</p> <p>Drywall alone will NOT hold the weight of your TV.</p> 	<p>Wood studs</p>  <p>ACCEPTABLE</p>	<p>Solid concrete or concrete block</p>  <p>ACCEPTABLE</p>	<p>Steel studs</p>  <p>Steel stud kit SSMK1 is required for install, but NOT INCLUDED. Call Customer Service</p>
--	---	--	---

Tools Needed



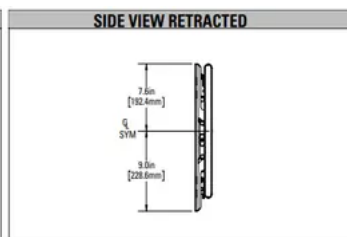
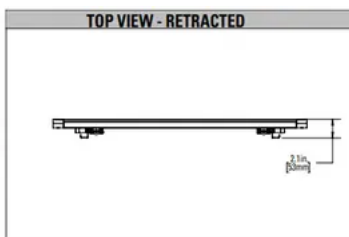
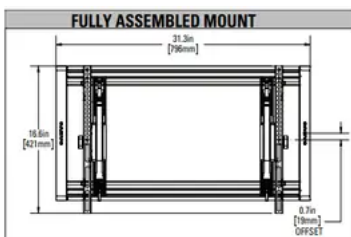
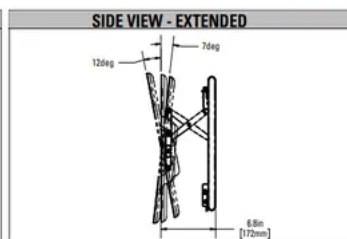
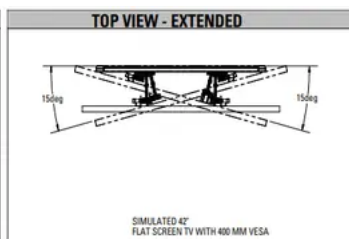
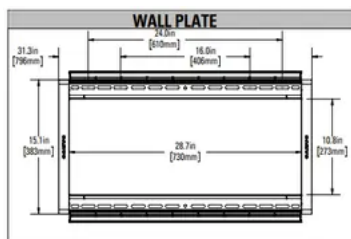
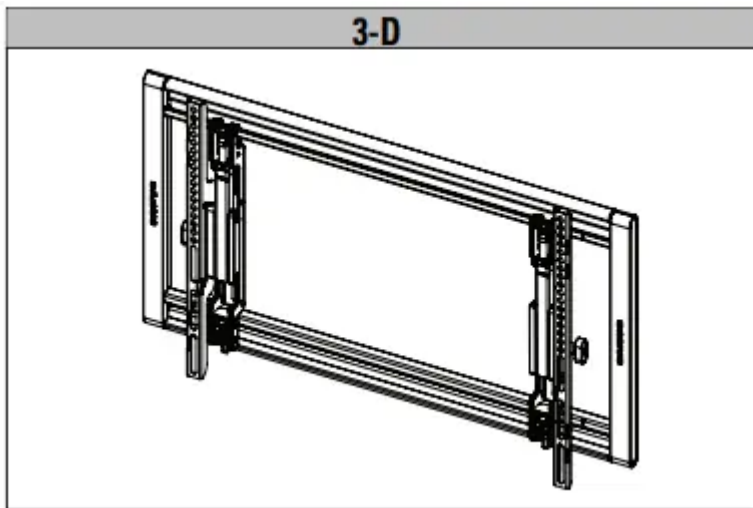
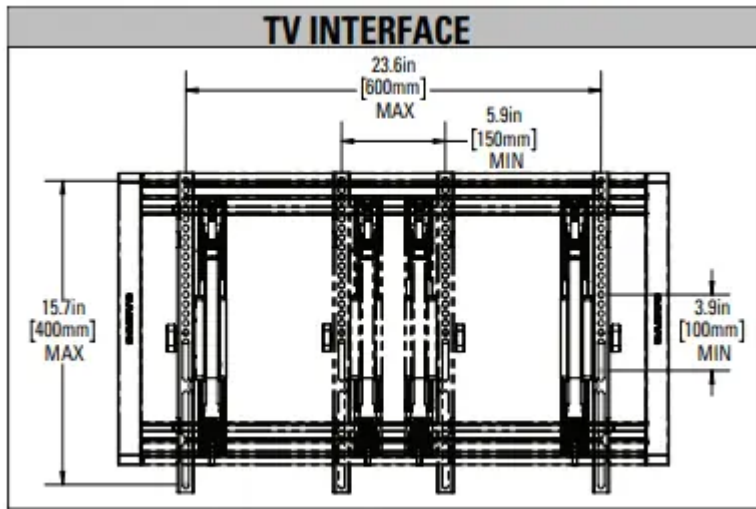
Wood Stud Install			
	Stud Finder	Awl	7/32 in. (5.5 mm) Wood Drill Bit

Concrete Install		
	3/8 in. (10 mm) Concrete Drill Bit	Hammer

Steel Stud Install			
	Stud Finder	Awl	1/2 in. (13 mm) Steel Drill Bit

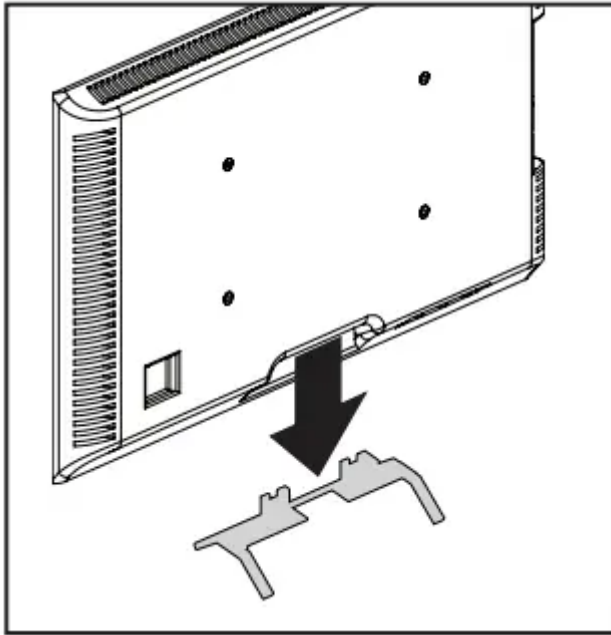


Dimensions in. [mm]

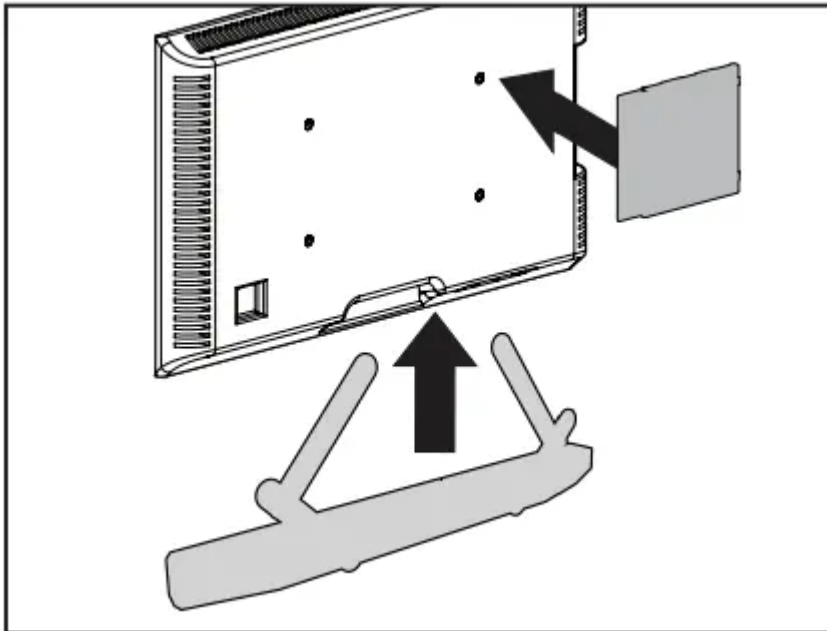


BEFORE YOU BEGIN

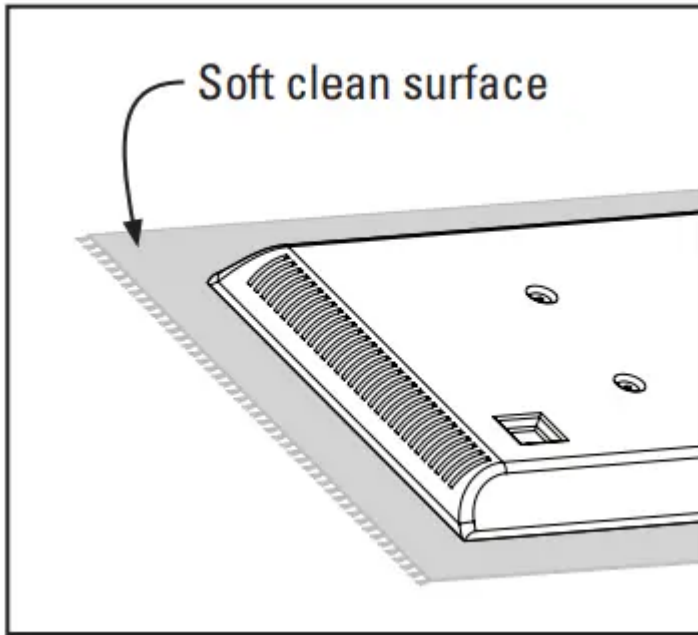
Remove the stand from your TV — if attached.



Install any accessories you may have purchased, if they require TV removal prior to assembly. The TV is removable for future accessory purchases.



Protect the face of your TV when laying it down for installation.

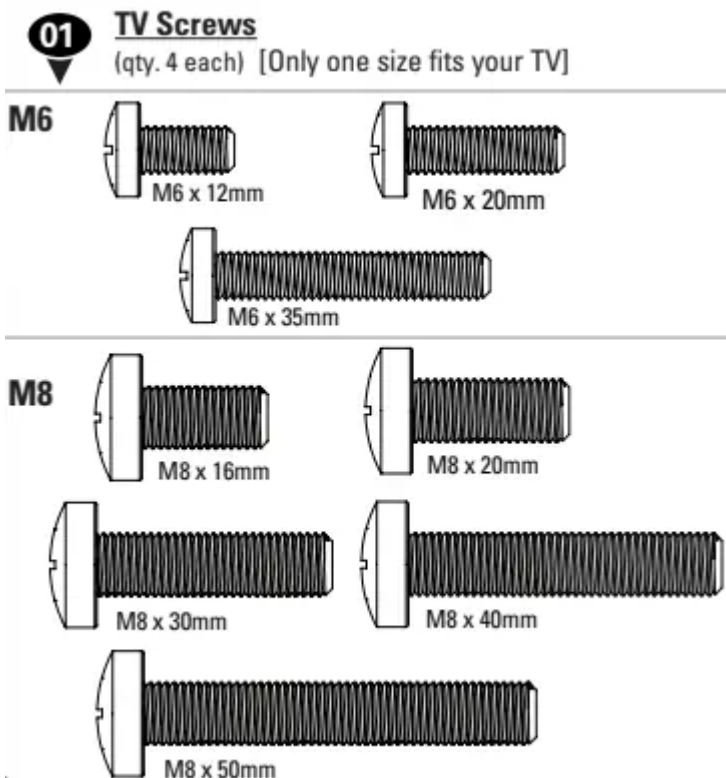


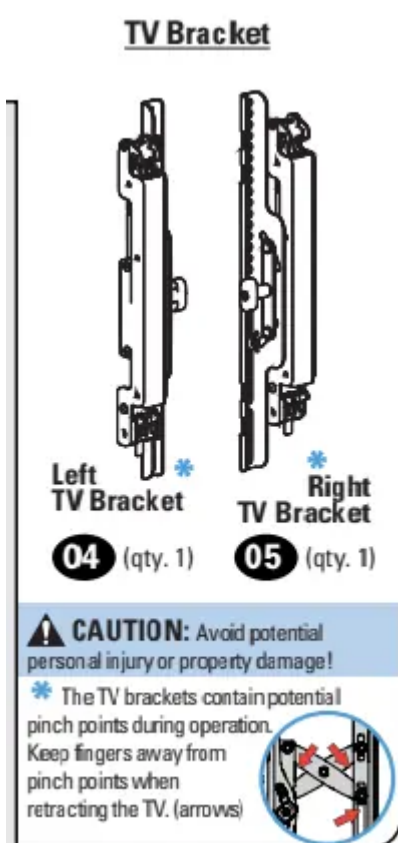
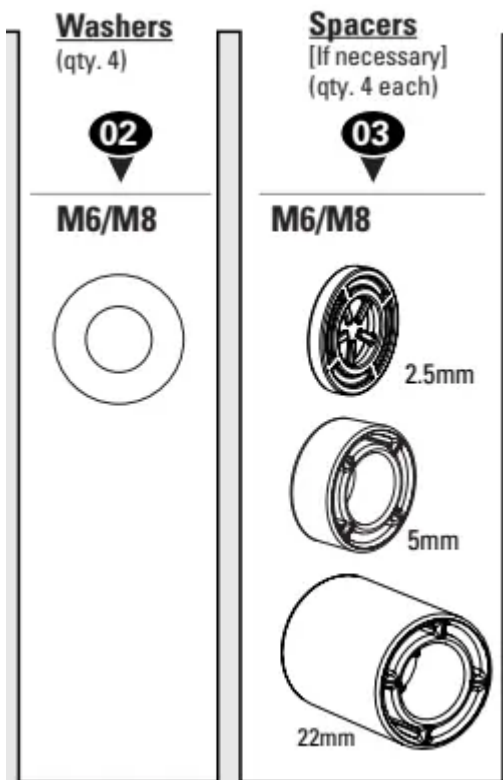
STEP 1 ATTACH TV BRACKET TO TV

Parts and Hardware for STEP 1

WARNING: This product contains small items that could be a choking hazard if swallowed. Before starting assembly, verify all parts are included and undamaged. If any parts are missing or damaged, do not return the damaged item to your dealer; contact Customer Service. Never use damaged parts!

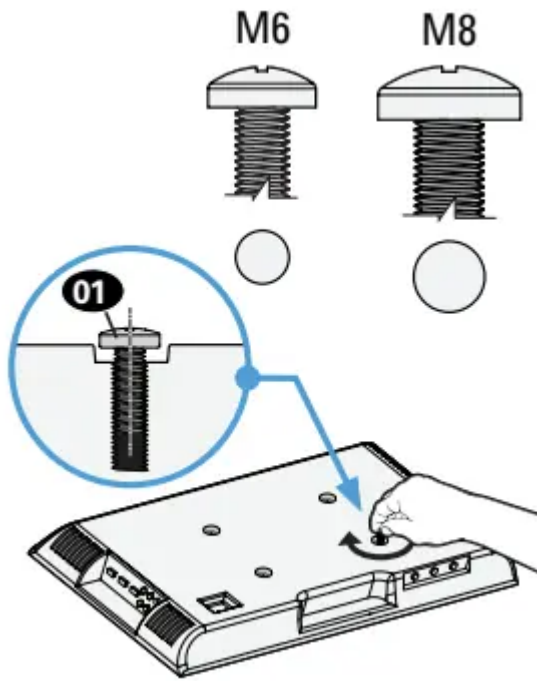
NOTE: Not all hardware included will be used.



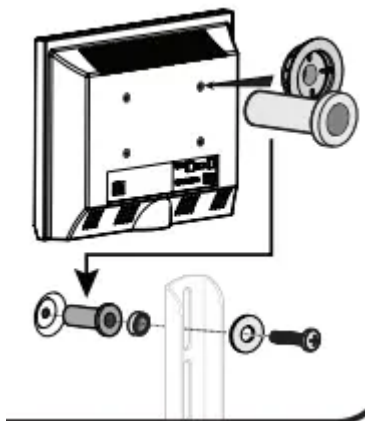


1.1 Select TV Screw Diameter

Only one screw size fits your TV.



NOTE: If your TV included inset spacers or adapters, use them UNDER the mount hardware.



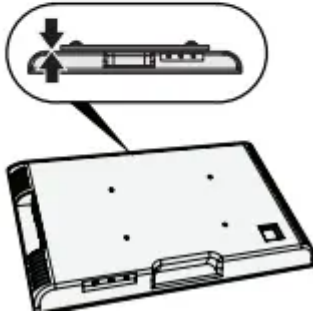
1.2 Select TV Screw Length / Spacers

A NO SPACER

• Flat Back TV

[TV brackets lay flat on your TV]

Use **short** TV screws **01**.
Spacers **03** not needed.



B SPACER NEEDED

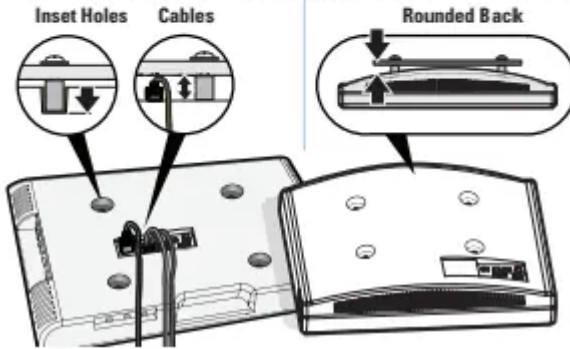
• Flat Back TV with Extra Space Needed

[for deep inset holes or cable interference]

• Rounded or Irregular Back TV

[TV brackets NOT resting flat on your TV]

Use **long** TV screws **01** and spacers **03** to create extra space between the TV and TV bracket.

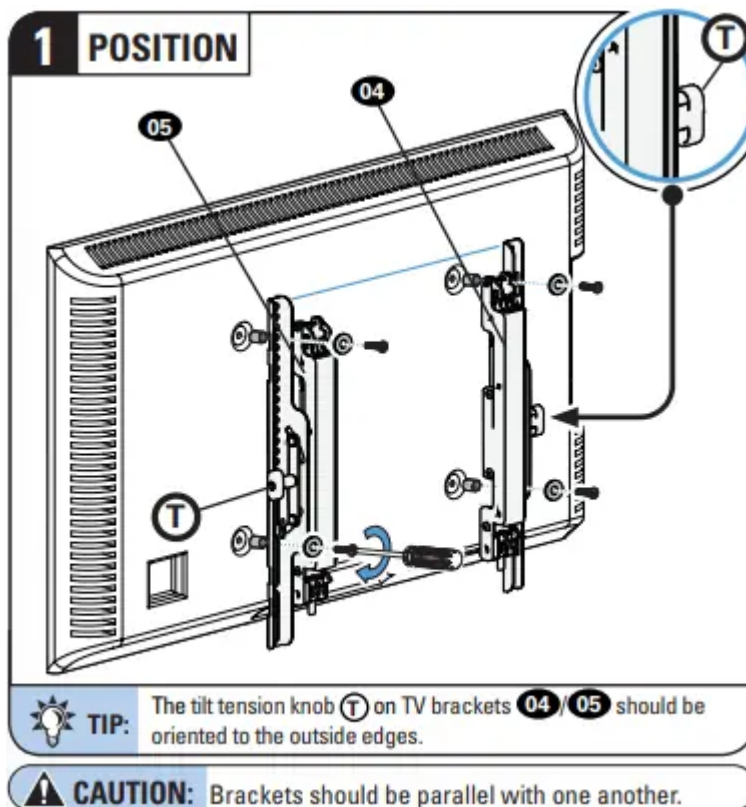


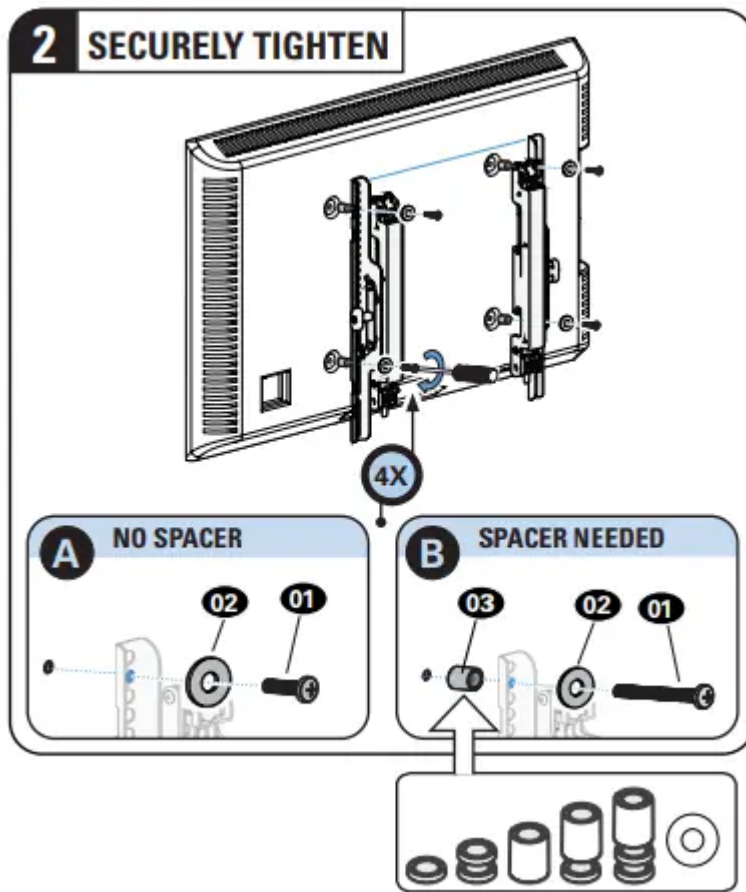
CAUTION: Verify adequate thread engagement with your screw **01**, washer **02**, spacer **03** combination AND TV bracket **04** / **05**.

- Too short will not hold your TV.
- Too long will damage your TV.



1.3 Attach TV Bracket Assembly to TV



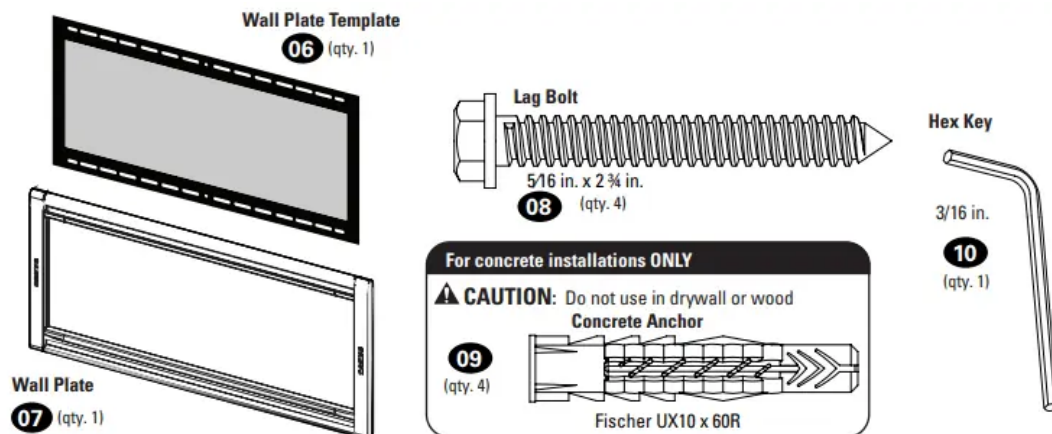


STEP 2 ATTACH WALL PLATE TO WALL

Parts and Hardware for STEP 2

WARNING: This product contains small items that could be a choking hazard if swallowed. Before starting assembly, verify all parts are included and undamaged. If any parts are missing or damaged, do not return the damaged item to your dealer; contact Customer Service. Never use damaged parts!

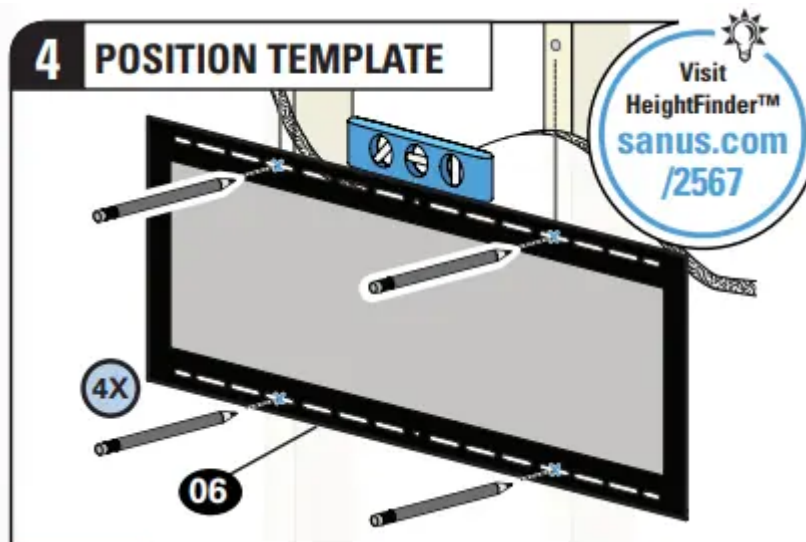
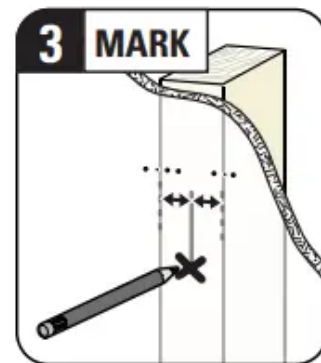
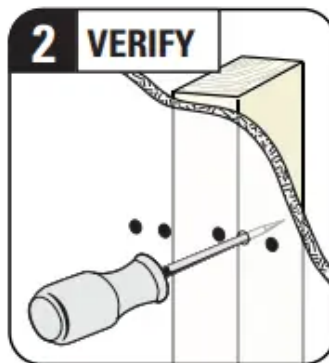
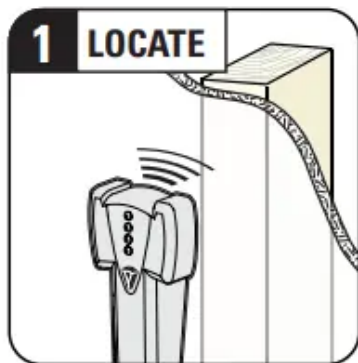
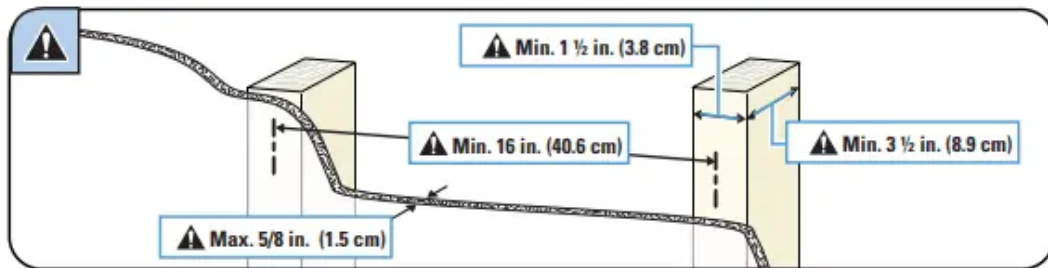
NOTE: Not all hardware included will be used.

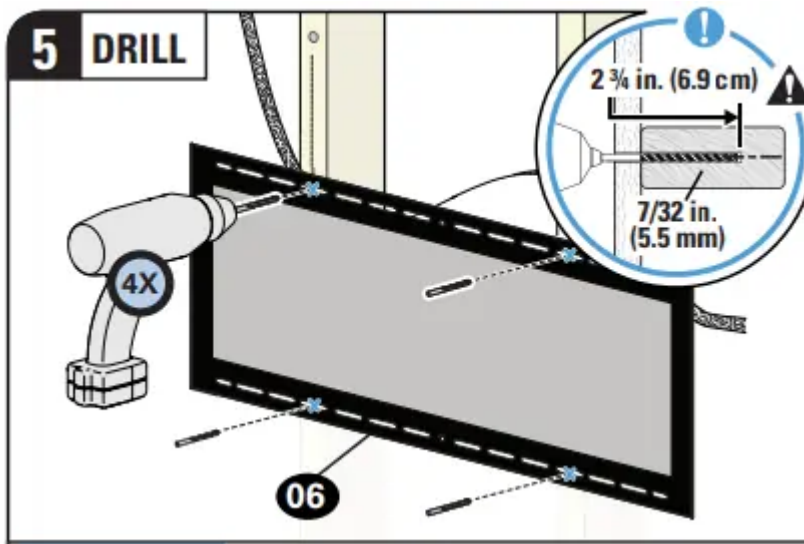


STEP 2A Wood Stud Installation

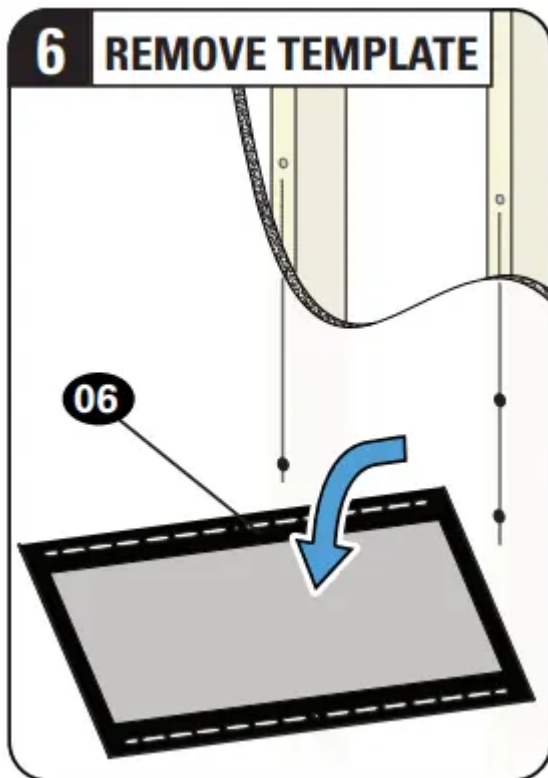
CAUTION: Avoid potential personal injury or property damage!

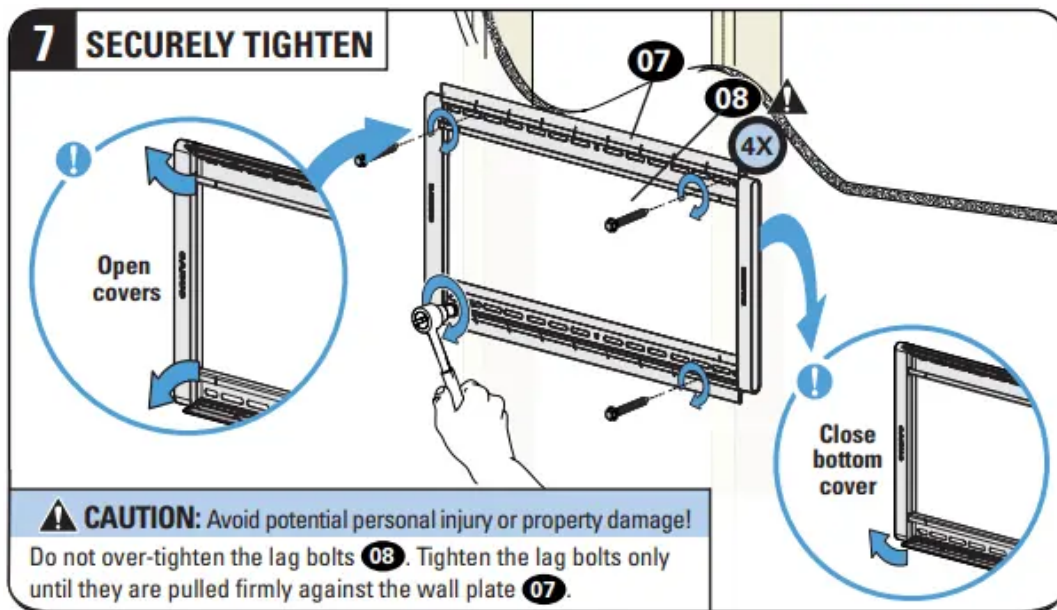
- Drywall covering the wall must not exceed 5/8 in. (1.5 cm)
- Minimum wood stud size: nominal 2 x 4 in. (5.1 x 10.2 cm) actual 1 ½ x 3 ½ in. (3.8 x 8.9 cm)
- Minimum horizontal space between fasteners: 16 in. (40.6 cm)
- Stud centers must be verified





CAUTION: Be sure you drill into the CENTER of the stud.

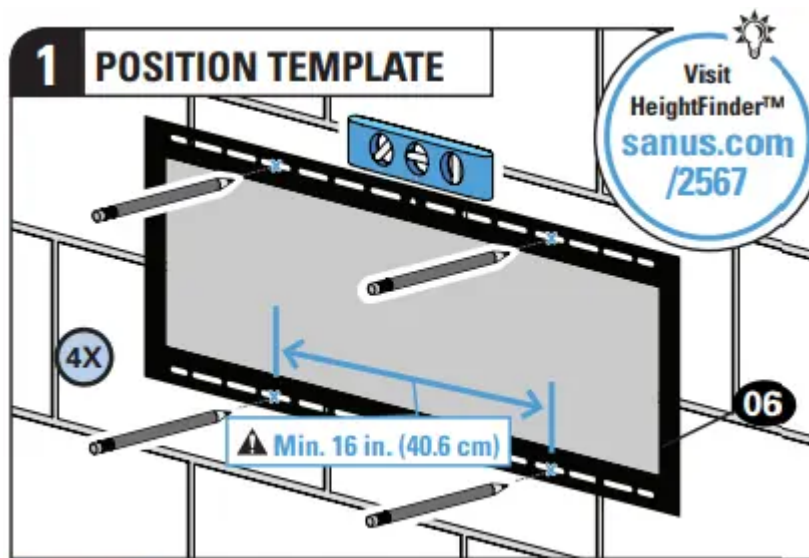


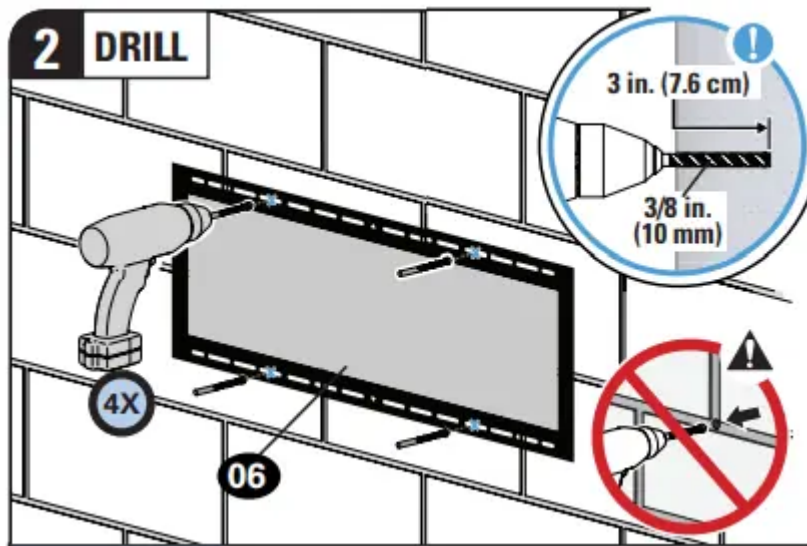


STEP 2B Solid Concrete or Concrete Block Installation

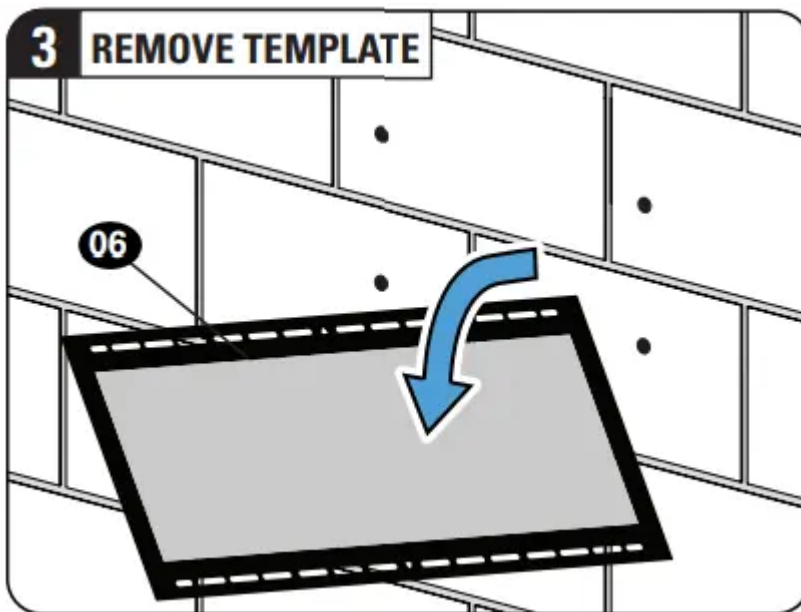
CAUTION: Avoid potential personal injury or property damage!

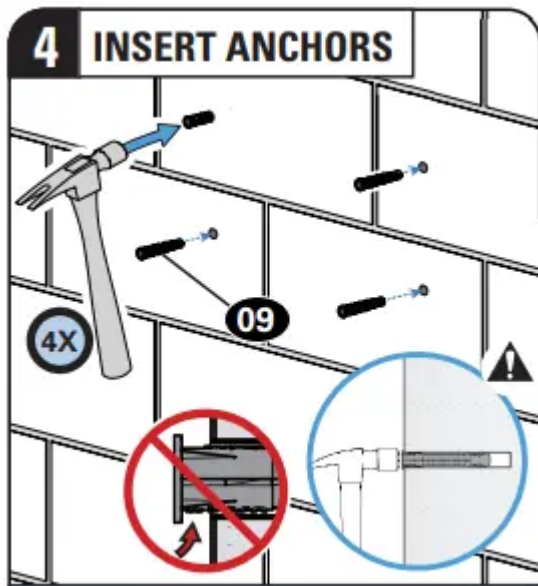
- Mount the wall plate 07 directly onto the concrete surface
 - Minimum solid concrete thickness: 8 in. (20.3 cm)
 - Minimum concrete block size: 8 x 8 x 16 in. (20.3 x 20.3 x 40.6 cm)
 - Minimum horizontal space between fasteners: 16 in. (40.6 cm)
 - For concrete applications, TV brackets 04 / 05 must remain centered in wall plate 07 .
- Keep this in mind when selecting the wall plate location.



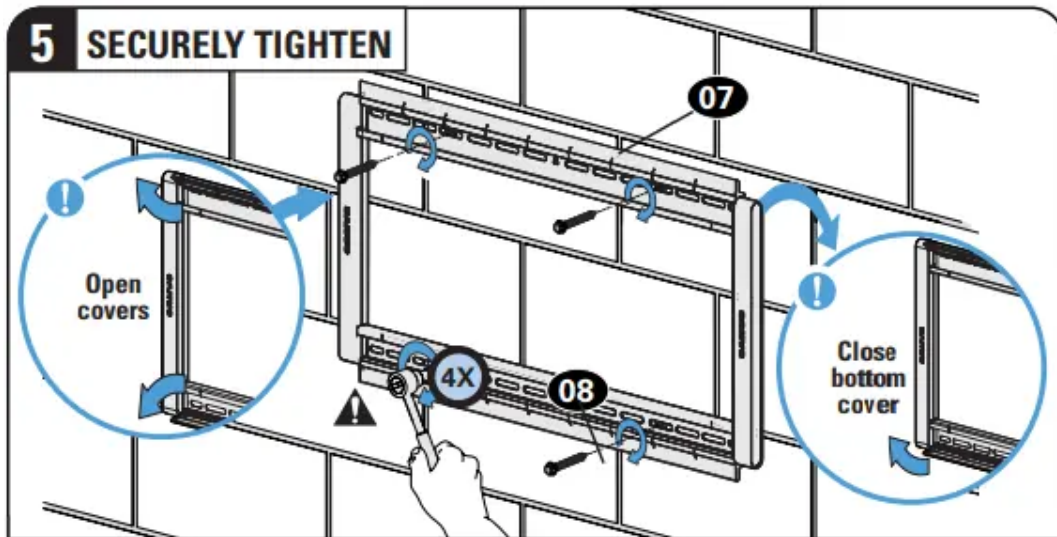


CAUTION: Never drill into the mortar between blocks. Never drill into the mortar between blocks.





CAUTION: Be sure the anchors 09 are seated flush with the concrete surface.



CAUTION: Avoid potential personal injury or property damage!

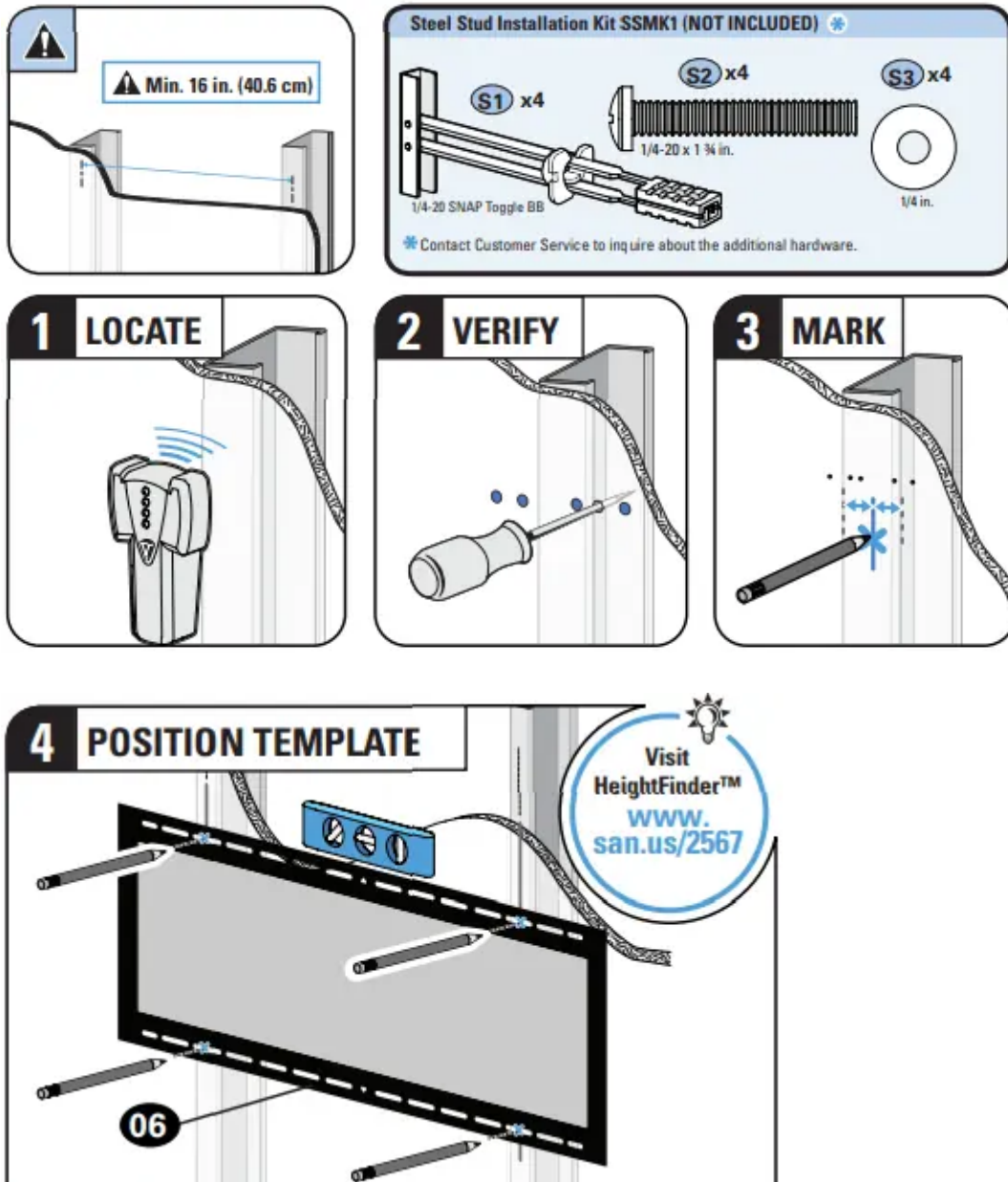
Do not over-tighten the lag bolts 08. Tighten the lag bolts only until they are pulled firmly against the wall plate 07.

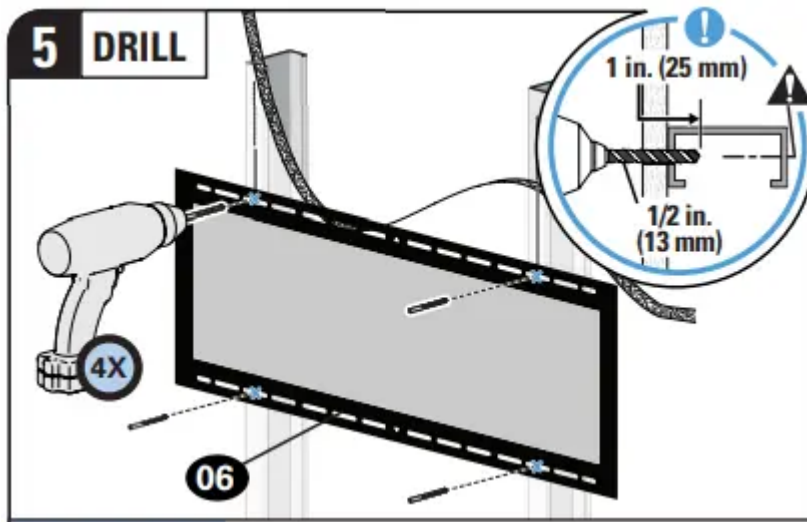
STEP 2C Steel Stud Installation

CAUTION: Avoid potential personal injury or property damage!

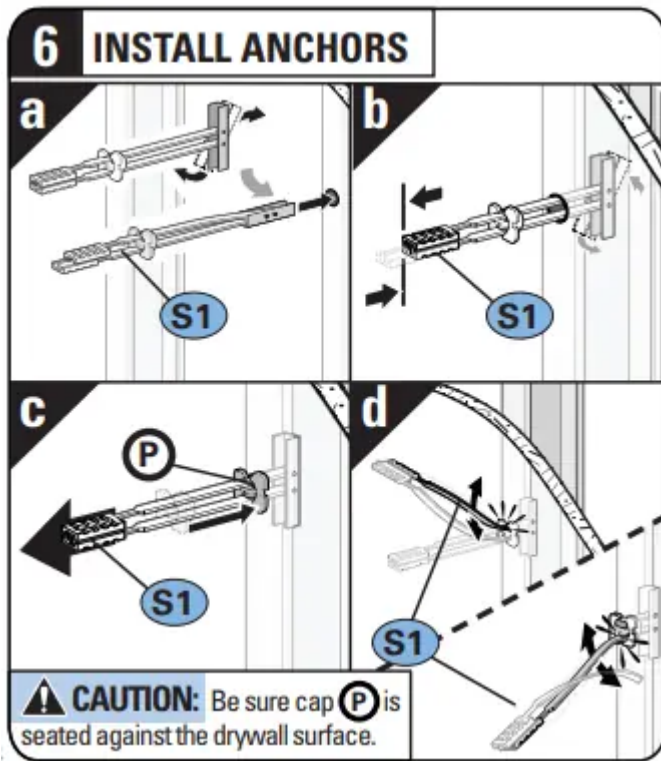
- Studs must be at least 2x4 / 25 ga.
- If back side of wall is unfinished, drywall must be installed to a minimum of one stud left and right of the stud(s) being used to install the mount
- Drywall must be a minimum of 1/2 in. (13 mm) thick on each side of the studs, and a minimum clearance of 1 7/8 in. (48 mm) behind the wall is required
- This product must be centered on the studs

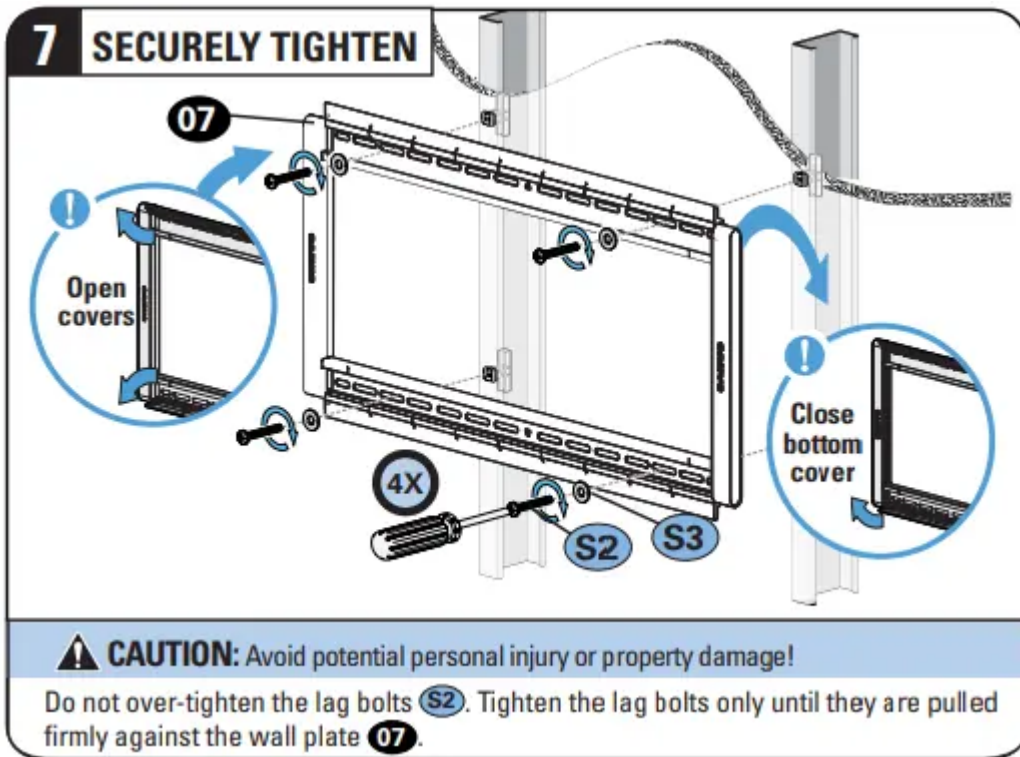
- Stud type and structural strength must conform to the North American Specification for the Design of Cold-Formed Steel Structural Members [362 S 125 18, C-Shape, S - Stud Section]
- Drywall must be secured to studs with screws 12 in. (304.8 mm) on center



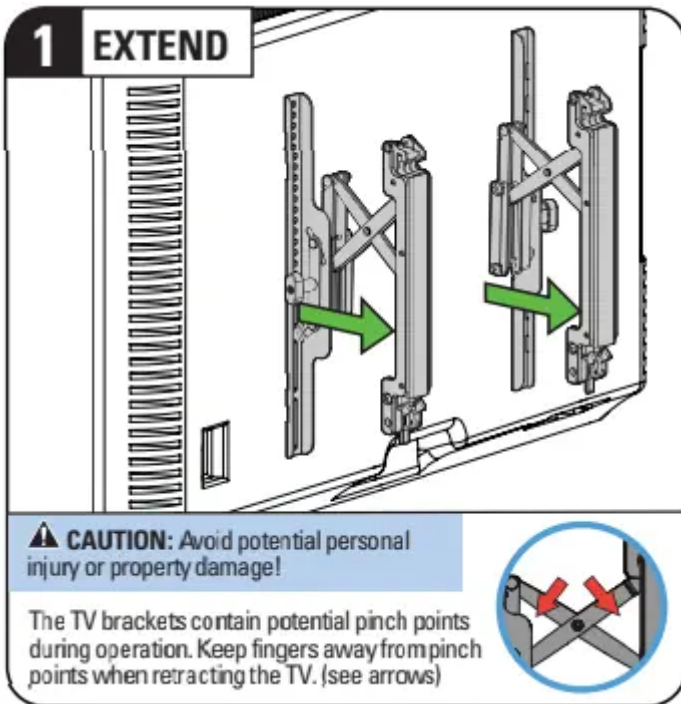


CAUTION: Be sure you drill into the CENTER of the stud.

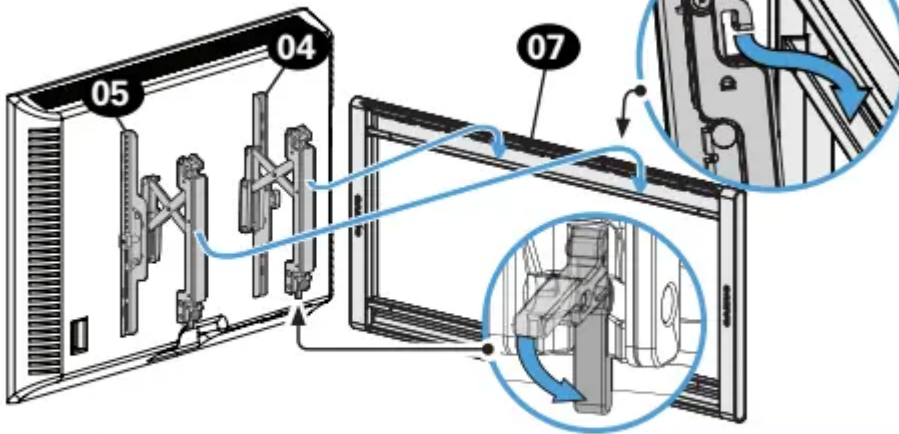




STEP 3 ATTACH TV TO WALL PLATE



2 HANG

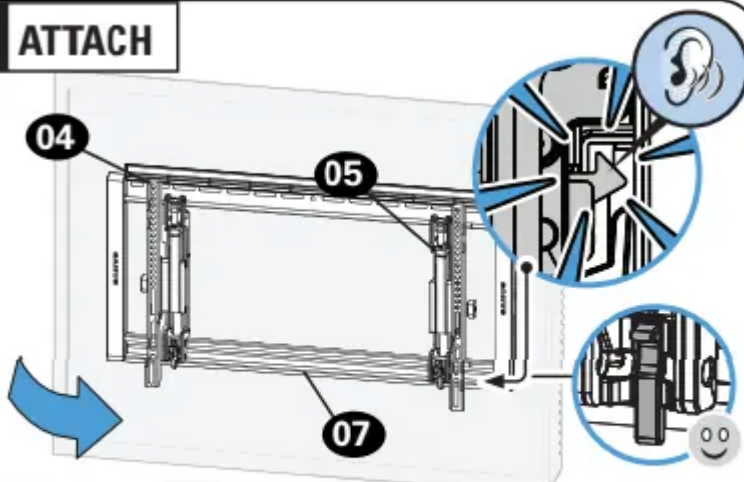


⚠ CAUTION: Avoid potential personal injury or property damage!

For **CONCRETE APPLICATIONS:** TV brackets **04** / **05** **MUST** remain centered in wall plate **07**.

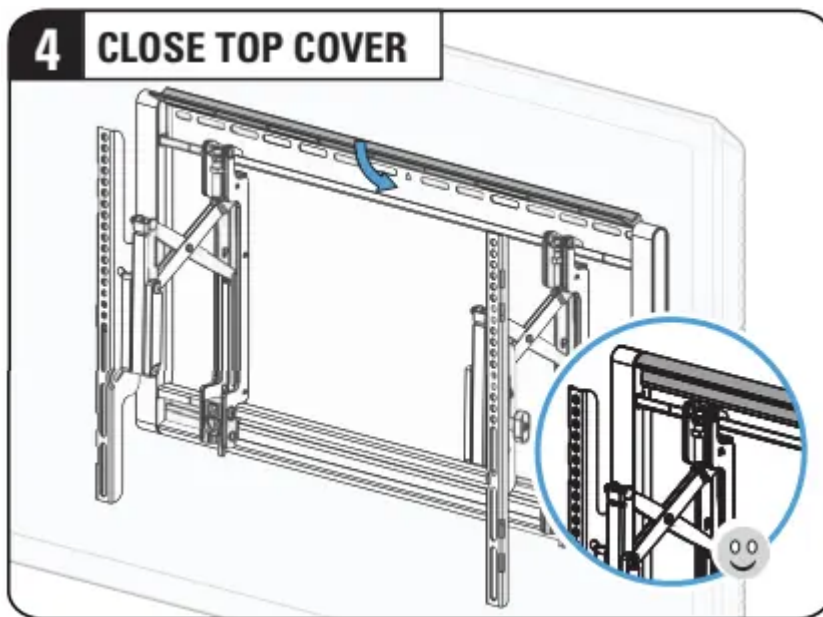
NOTE: For **WOOD STUD APPLICATIONS,** TV brackets **04** / **05** can be slid anywhere along wall plate **07** for optimal positioning of your TV.

3 ATTACH

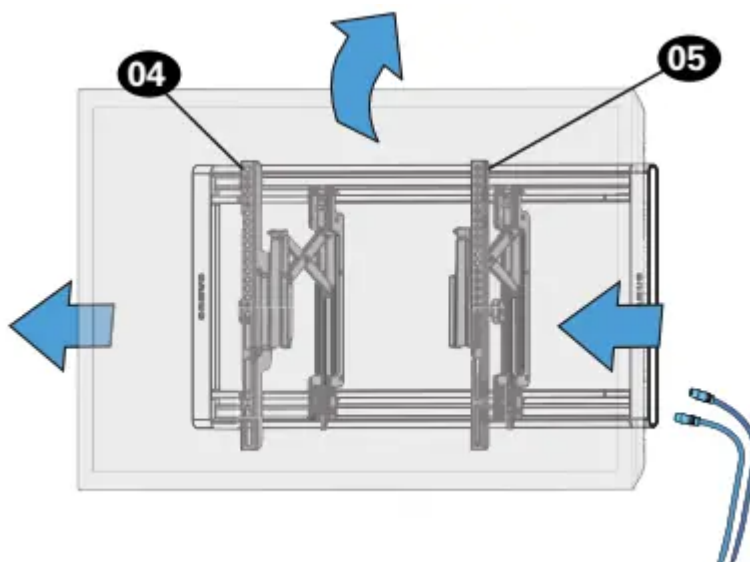


⚠ CAUTION: Avoid potential personal injury or property damage!

Always make sure TV brackets **04** / **05** are in the locked position so the TV is securely fastened to the wall plate **07**.

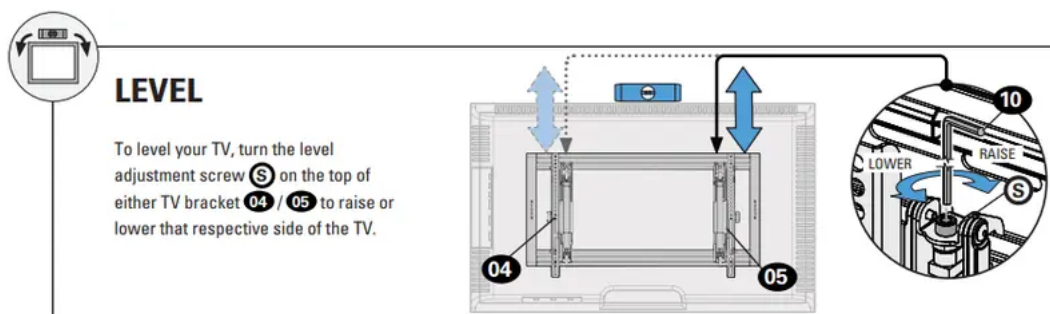


MANAGE CABLES



TIP: Extend the TV outward AND tilt the TV up or down to gain better access to the back of the TV.

ADJUSTMENTS



HEIGHT

Adjust the height by turning the level adjustment screw **S** on the top of both TV brackets **04** / **05**.

SIDE-TO-SIDE SHIFT

HEAVY! You may need assistance with this step.

CAUTION: Avoid potential personal injury or property damage!

For **Concrete Applications**, TV brackets **04** / **05** must be centered between the marks on the wall plate rail **07**.

For **Wood Stud Installations ONLY**: Slide the TV left or right along the wall plate **07** to reposition.

Align the brackets between the two lines on the wall plate for minimum profile depth.

TILT

Your TV should adjust easily when moved, then stay in place. Adjust the tilt tension knob **T** if your TV naturally tilts up or down.

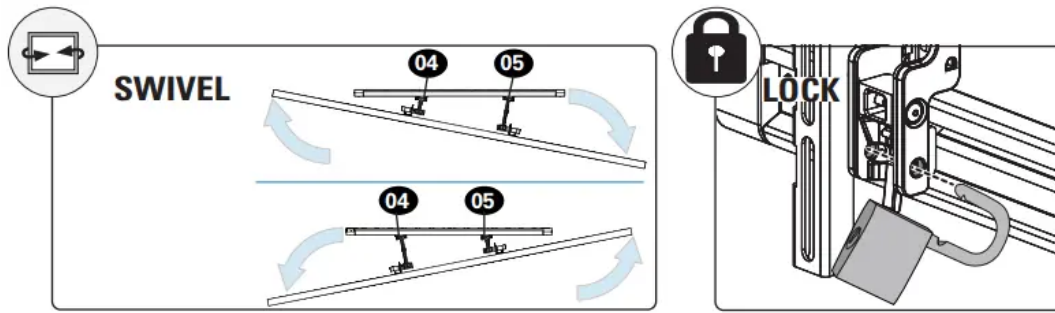
NOTE: If you do not intend to adjust the tilt for different viewing locations, you can tighten the tilt tension knobs **T** to prevent unwanted movement.


EXTEND

RETRACT

CAUTION: Avoid potential personal injury or property damage!

The TV brackets contain potential pinch points during operation. Keep fingers away from pinch points when retracting the TV. (see arrows)






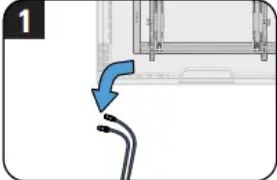
REMOVING THE TV

1. Disconnect all cables.
2. To unlock the TV from the wall plate: Lift the release latch **R** on both brackets.
3. Lift the TV up and off of wall plate **07**.

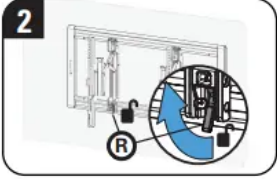
NOTE: To rehang the TV, follow the procedures in STEP 3 on PAGE 9.



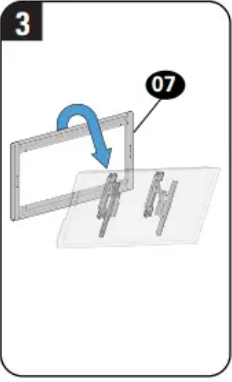
HEAVY! You may need assistance with this step.



1



2



3

Warning

This content is compiled from multiple sources and is provided for reference purposes only. It may not be complete or fully applicable to all situations. If you are unable to resolve your issue, please contact the product manufacturer or an authorized service provider for official support.

