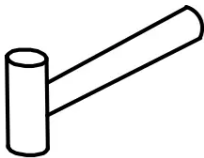
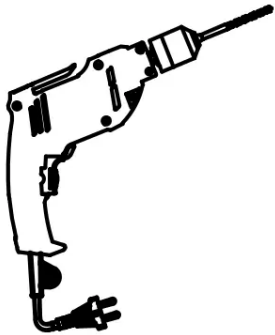


Before Starting

- Read each section carefully before starting. It is very important that each step is performed in the correct order. If these steps are not followed in sequence, assembly difficulties will occur.
- Make sure all parts are included. Most board parts are labeled or stamped on the raw edge.
- Work in spacious area, preferably on a carpet, near the place the unit will be located.
- Have the following tools close at hand.

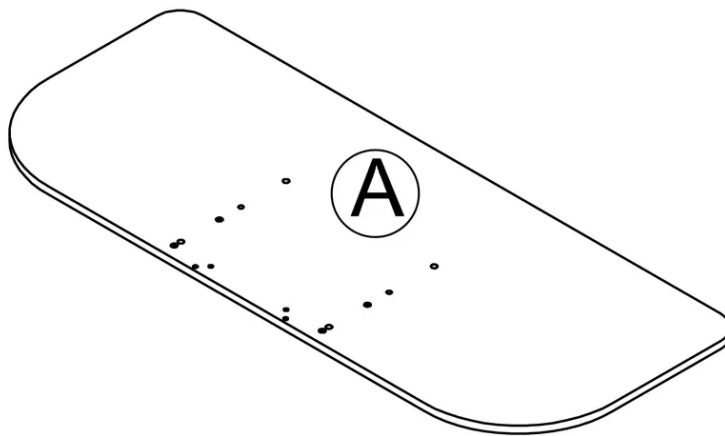


- Do not use power tools to assemble your furniture. Power tools may strip or damage the parts.

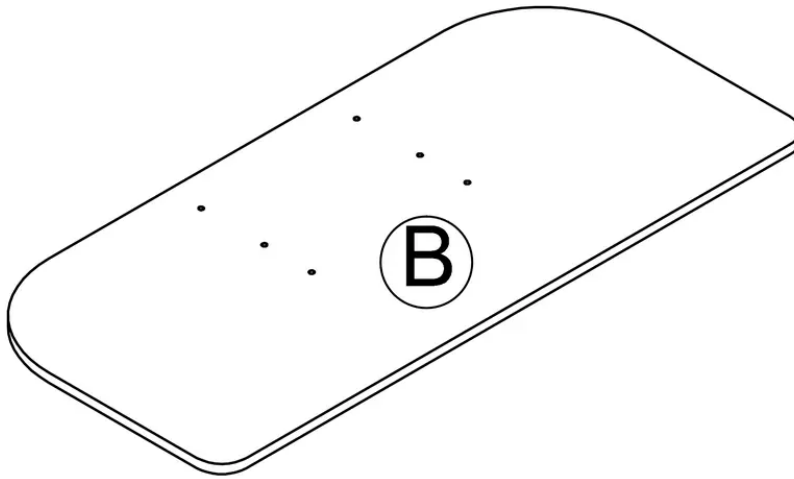
Helpful Hints

- Identify, sort and count the parts before beginning assembly.
- Compression dowels should be tapped in with a rubber mallet.
- Slides have a lip on the right side only.
- Back panels provide stability and support.
- Unit may collapse without the back panel installed.
- Clean the product with your choice of furniture polish and a soft cloth. DO NOT USE harsh chemicals or abrasive cleaners.
- Move your new furniture carefully. Two people are needed to lift and carry the unit to its new location.
- Never push, drag or scoot your furniture (especially on a carpet).

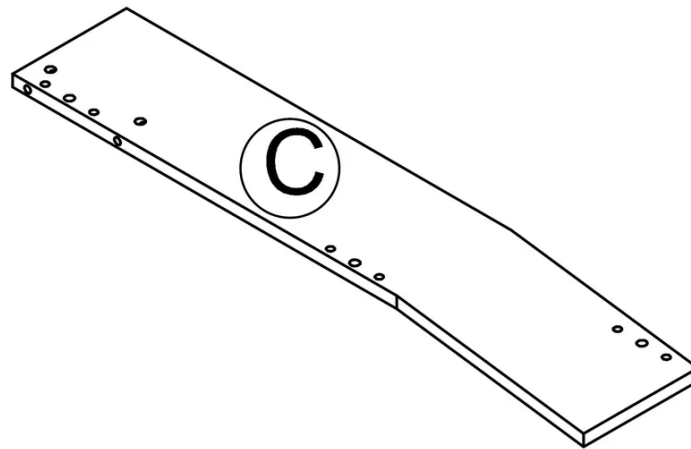
Parts



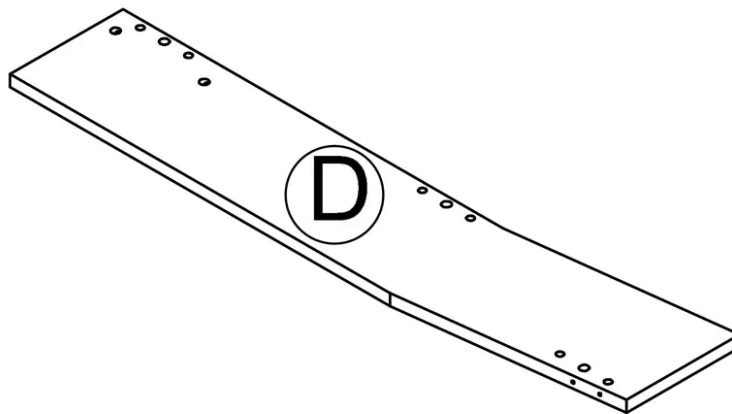
Top Panel (T1761196011CS)



Bottom Panel (T1761196020CS)

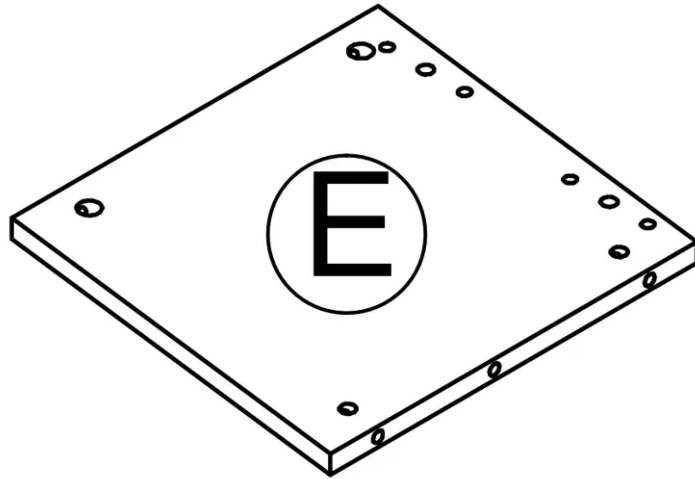


Left Side Panel (T1761196031CS)

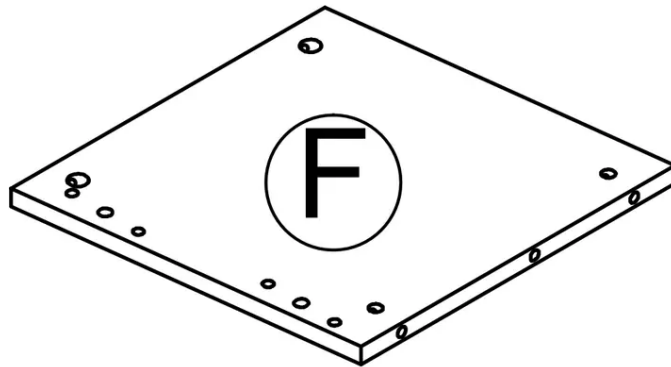


Right Side Panel (T1761196041CS)

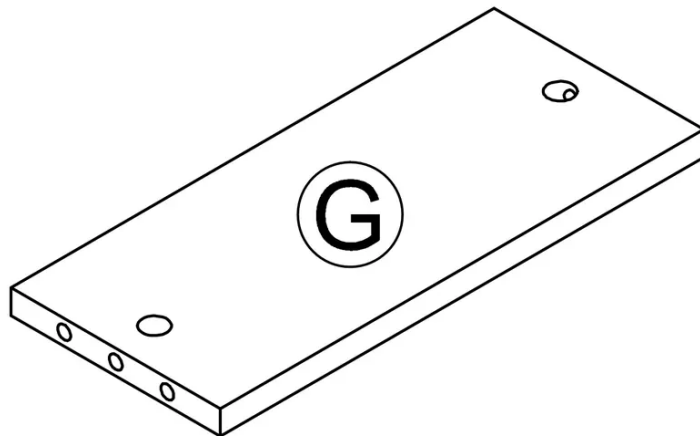




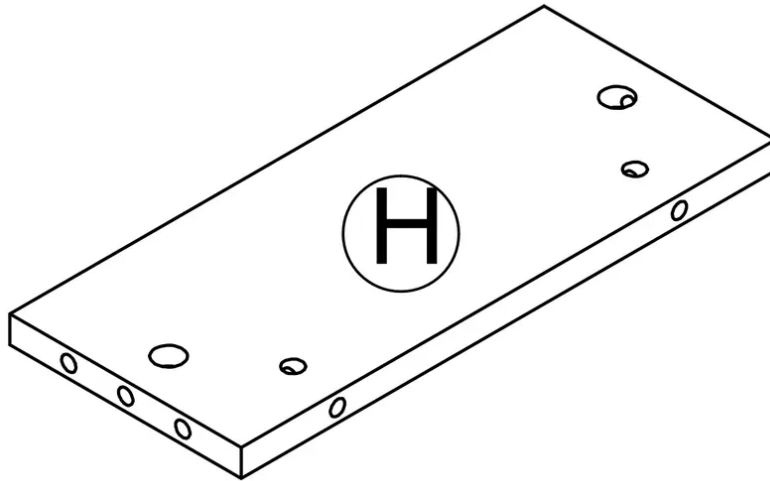
Left Support Panel (T1761196051CS)



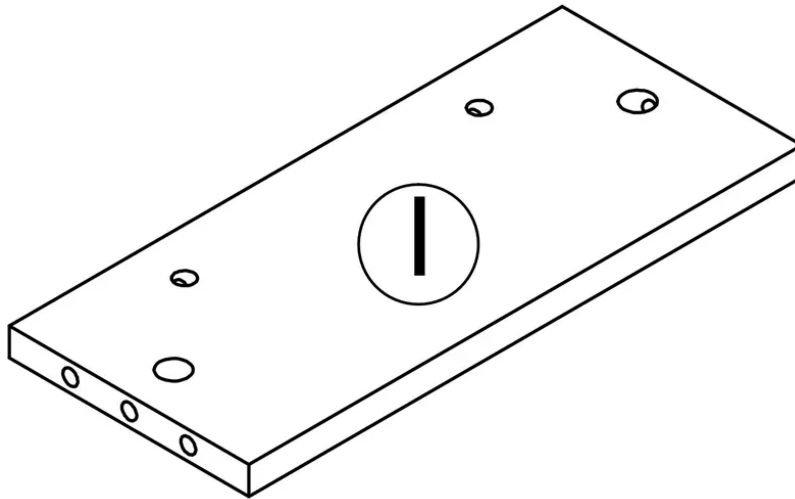
Right Support Panel (T1761196061CS)



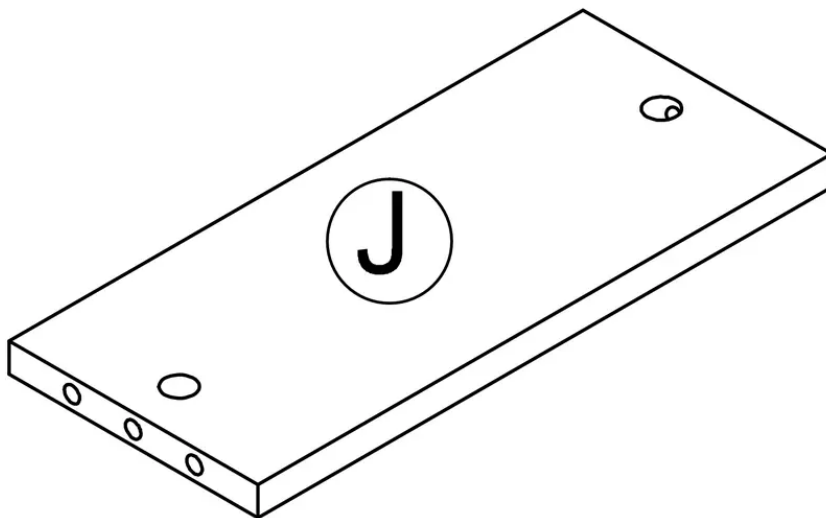
Upper Support Panel (T1761196071CS) QTY: 2PCS



Lower Support Panel (T1761196081CS)

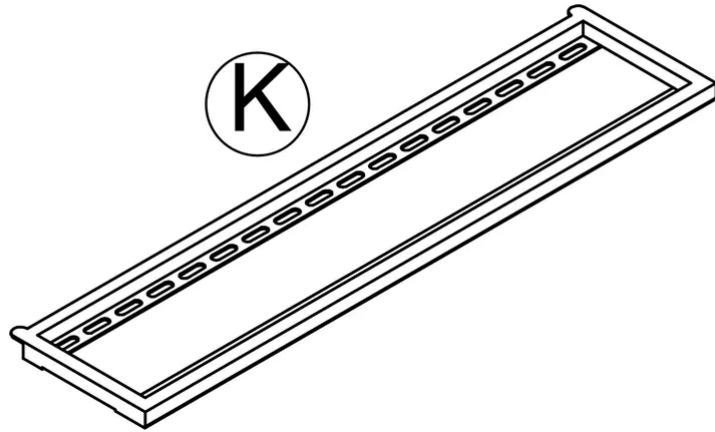


Upper Back Panel (T1761196091CS)

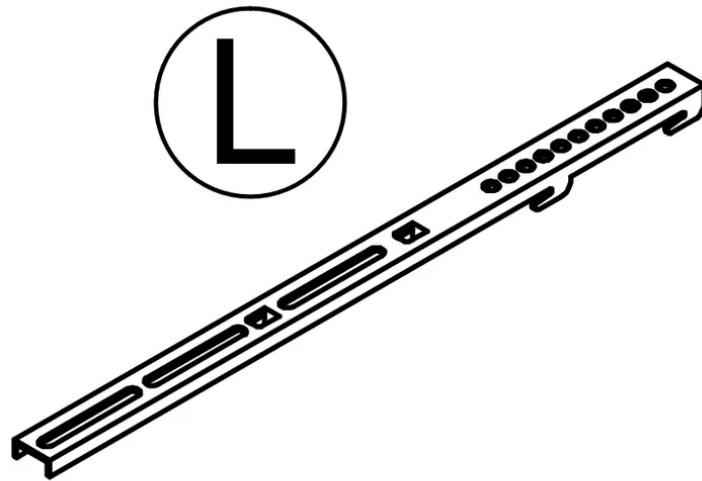


Lower Back Panel (T1761196101CS)

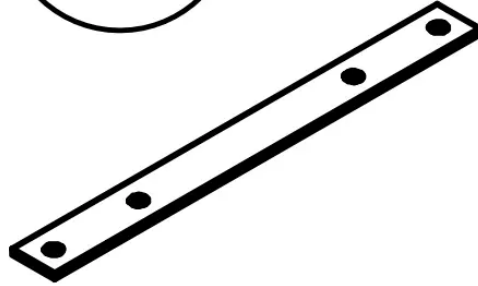




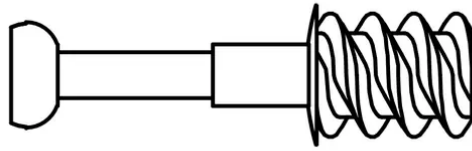
TV Mount (T1761096110CS)



Vertical Bar (T1761096120CS)



Metal Plate (T1761096130CS)

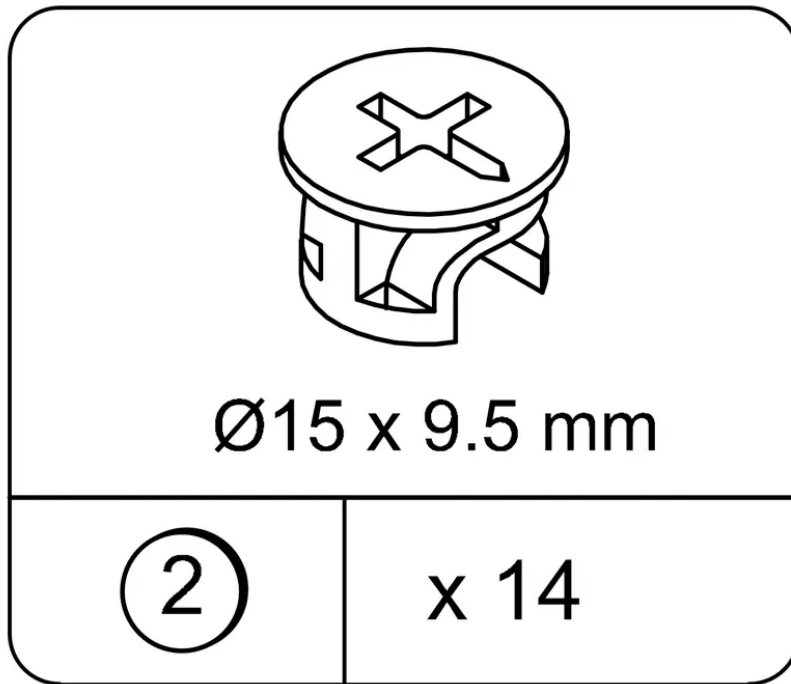


M8 x 20 mm

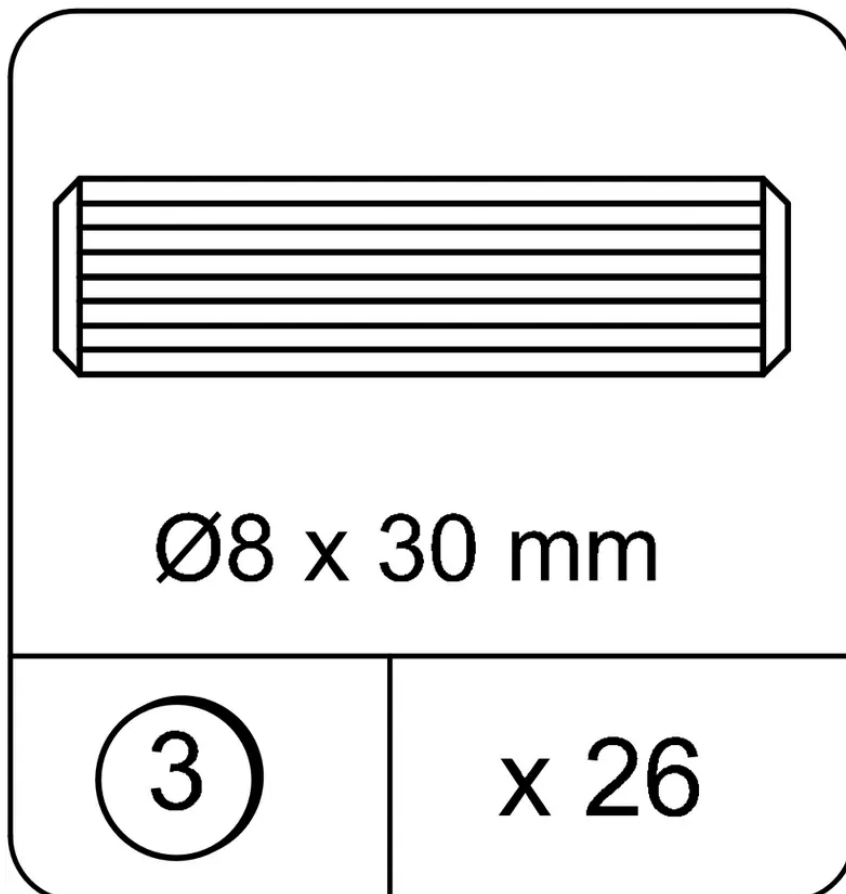
1

x 14

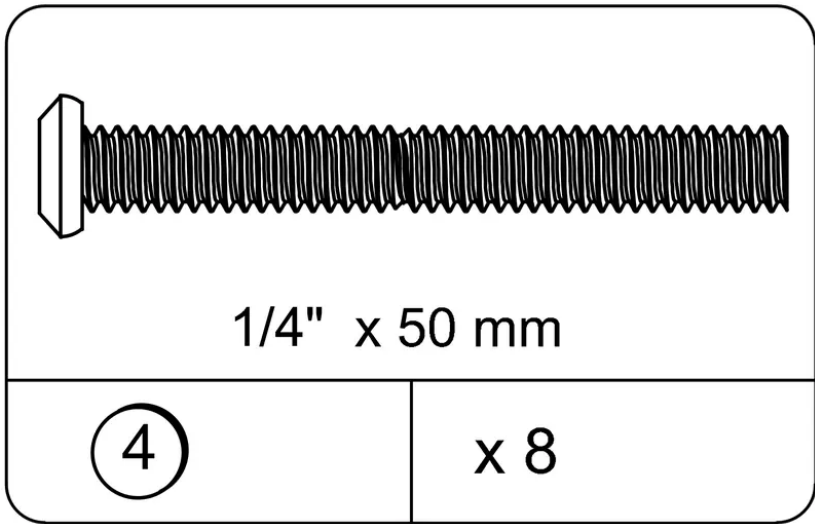
Cam Bolt (TCS2010)



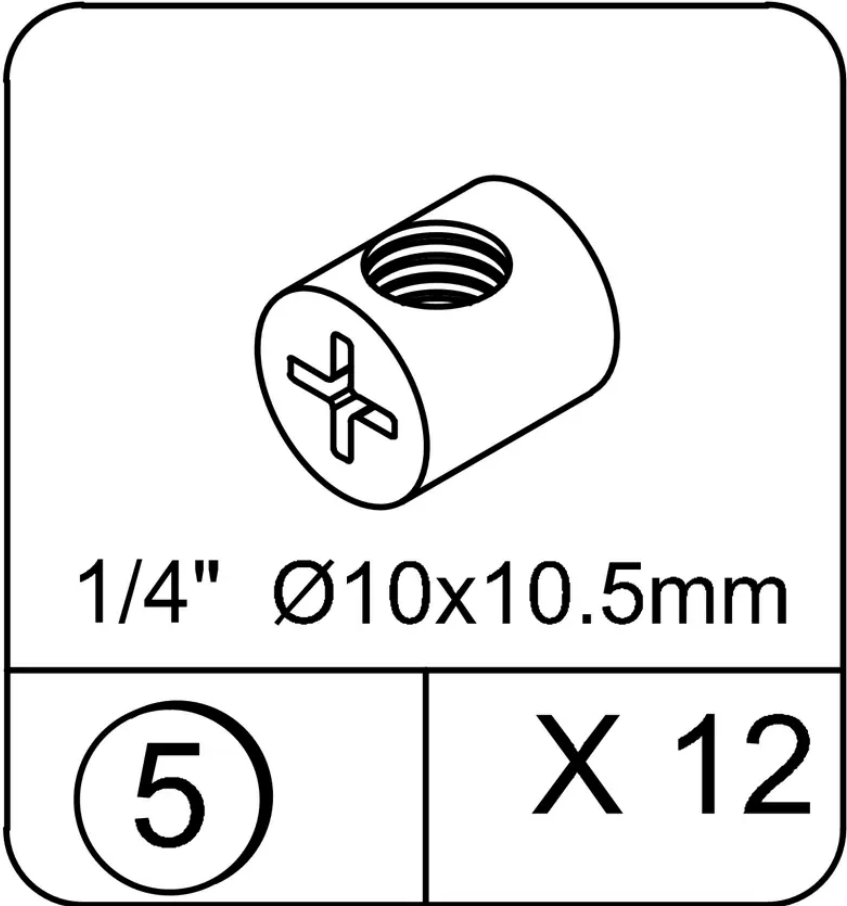
Cam Lock (TCS2013)



Wood Dowel (TCS3002)

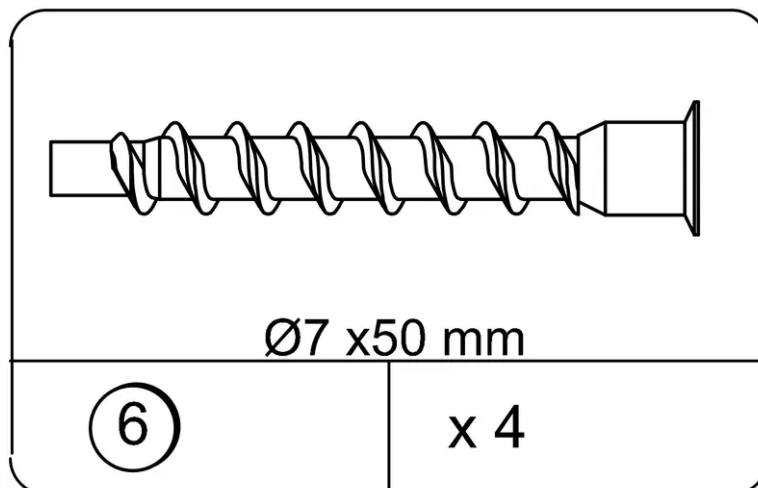


Bolt (TCS1086)

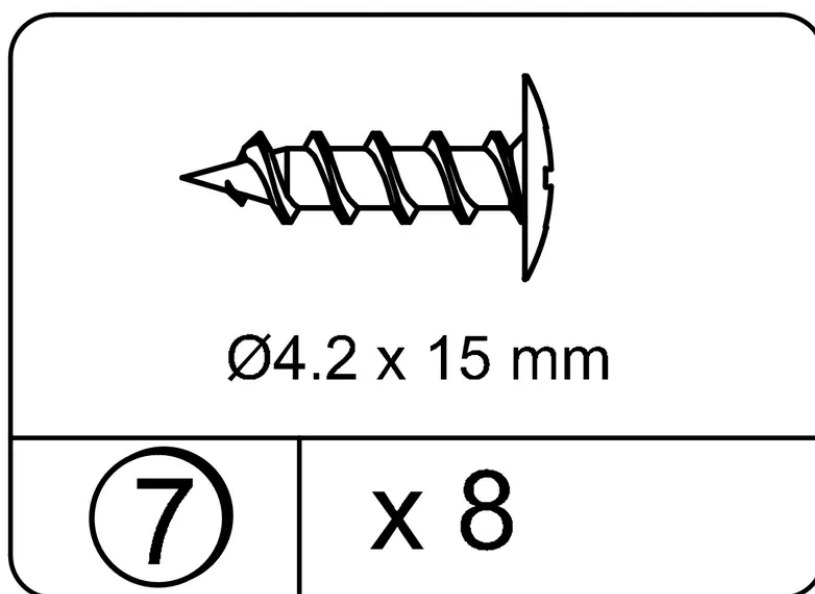


Barrel Nut (TCS2015)

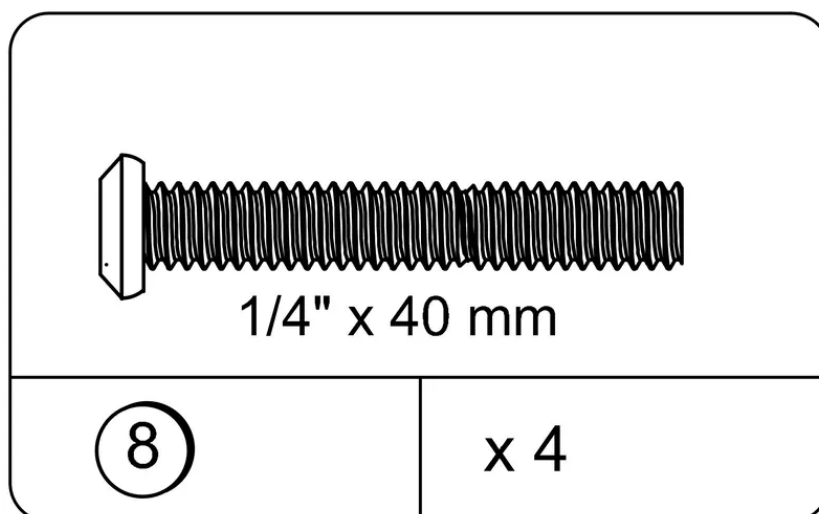




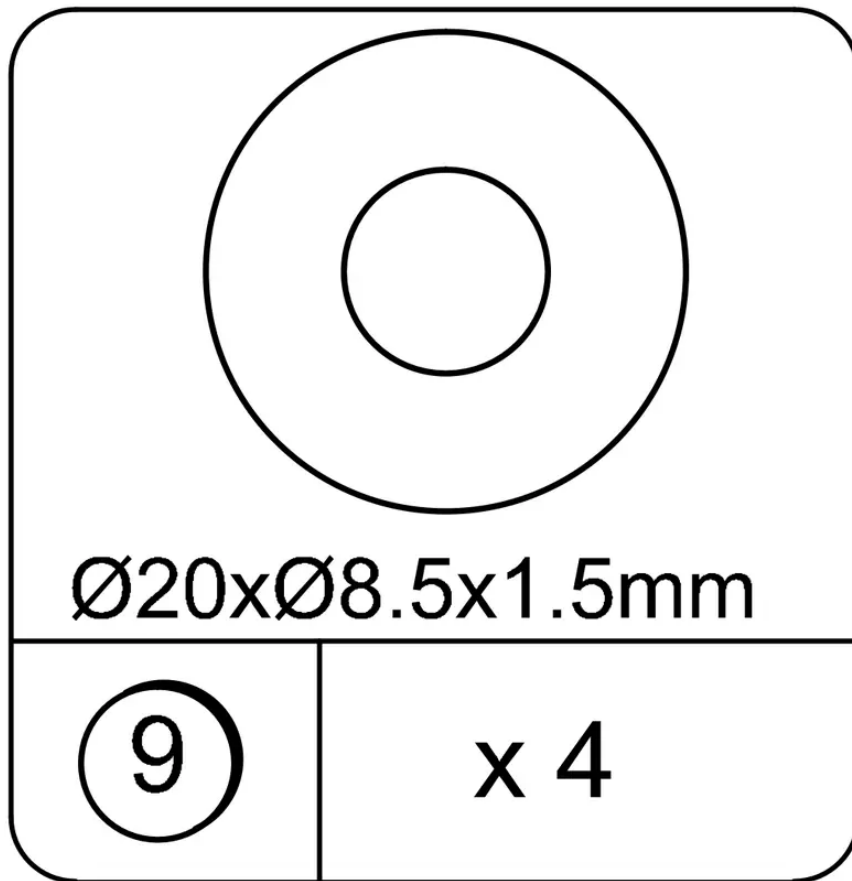
Screw (TCS1033)



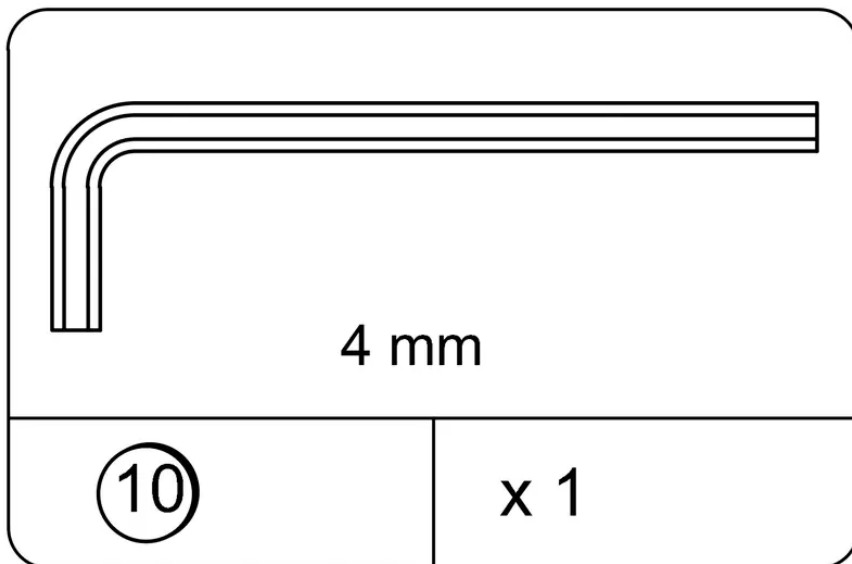
Screw (TCS1065)



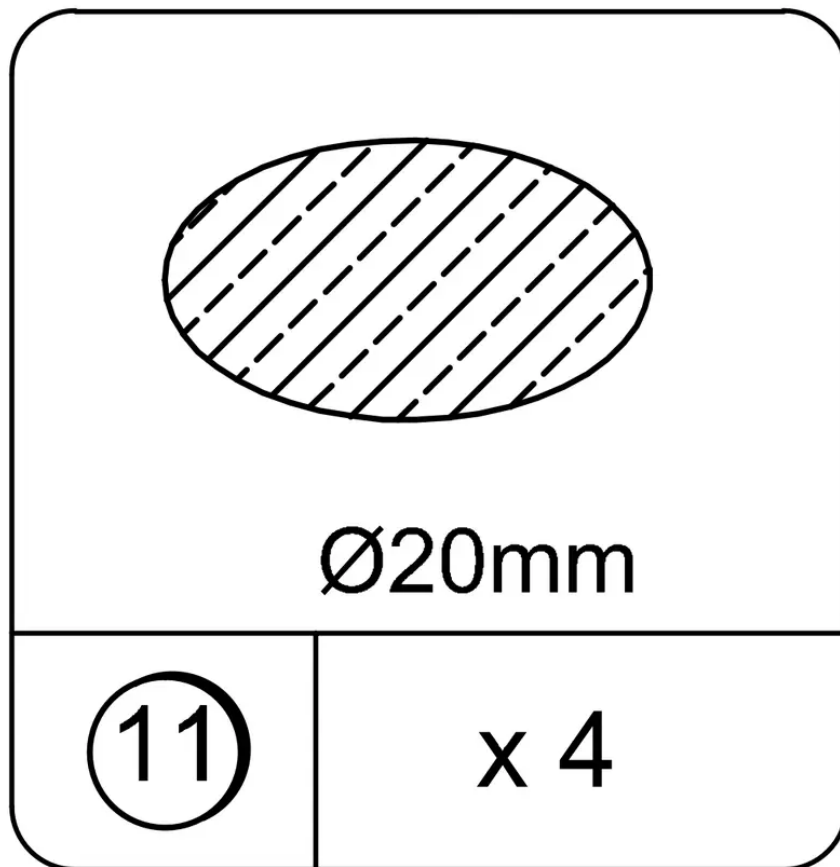
Bolt (TCS1064)



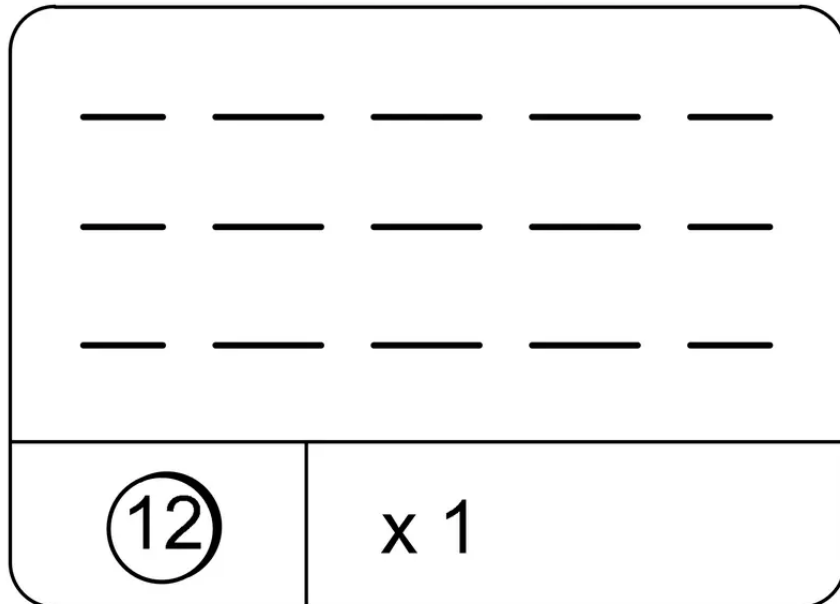
Washer (TCS1034)



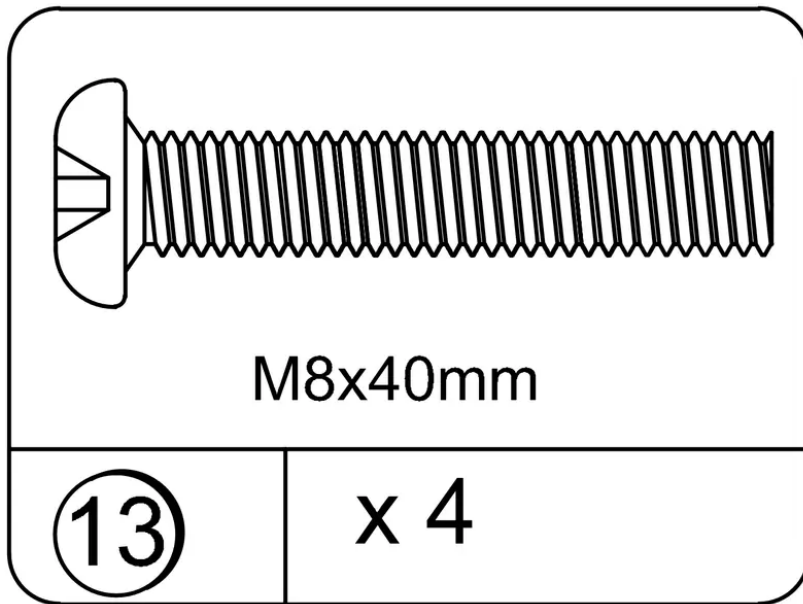
Hex Key (TCS6001)



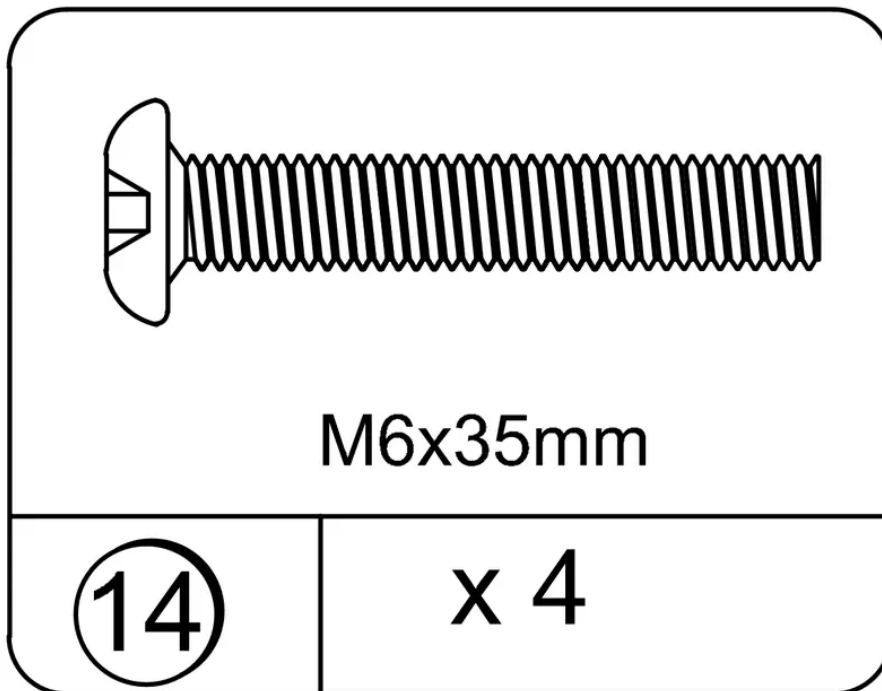
Cam Cover (TCS2207)



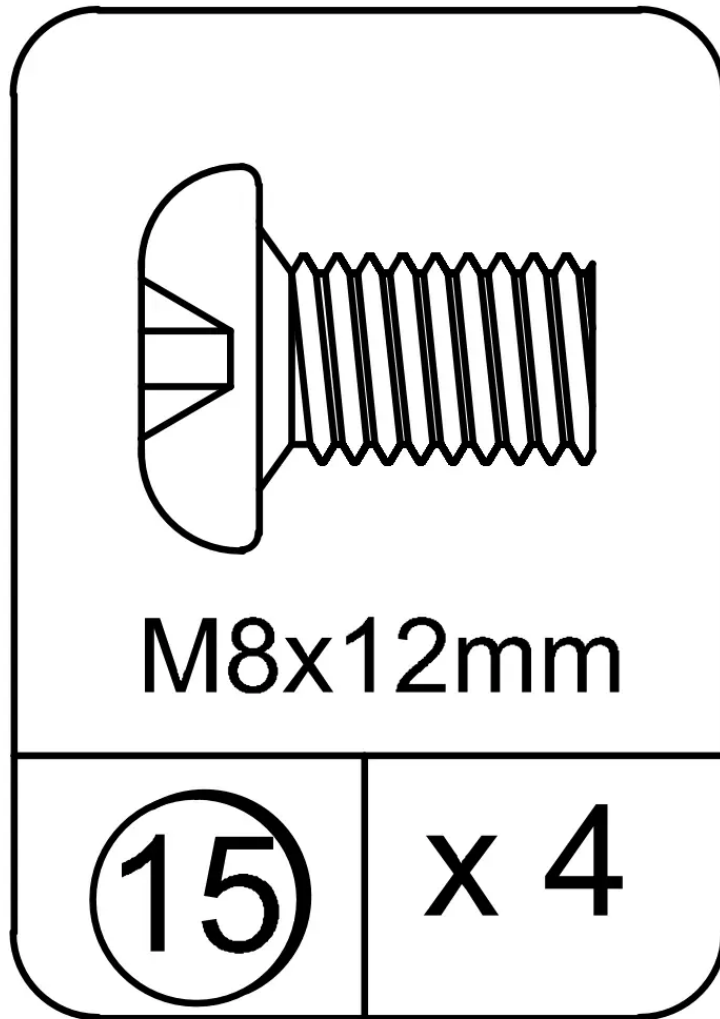
Warning Label (TCS3304)



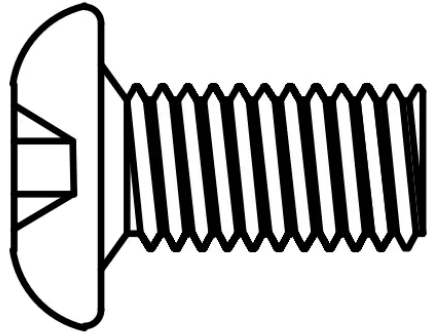
Bolt (TCS1029)



Bolt (TCS1030)



Bolt (TCS1031)

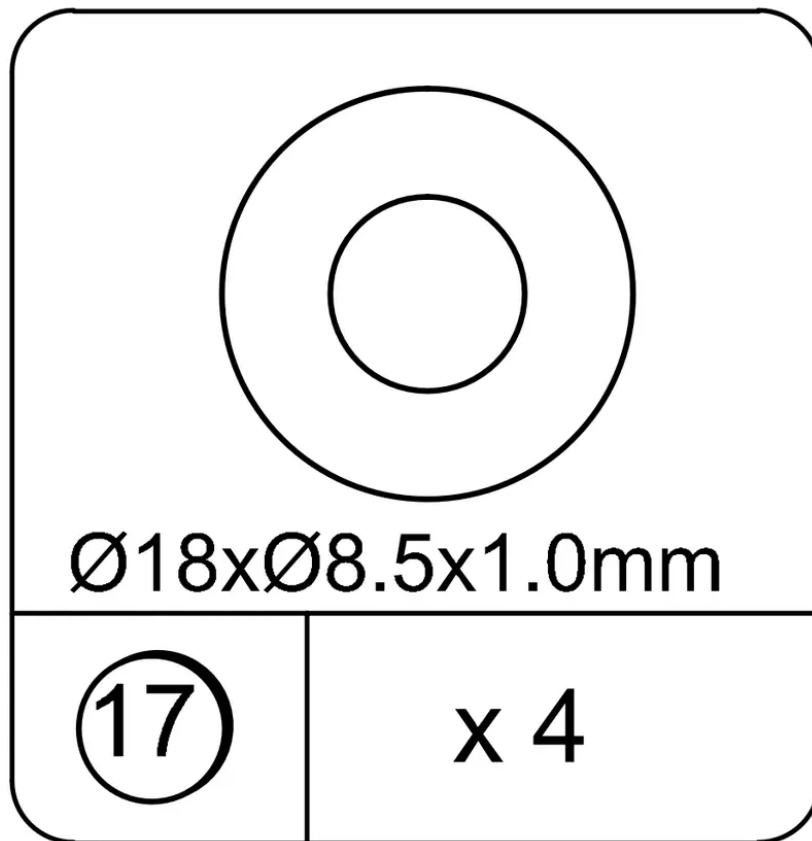


M6X12mm

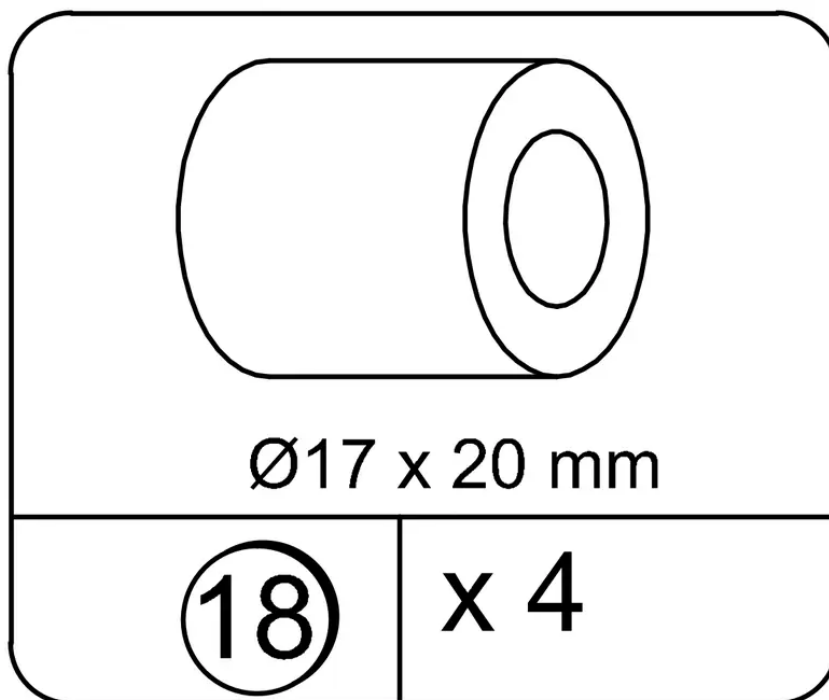
16

x 4

Bolt (TCS1032)

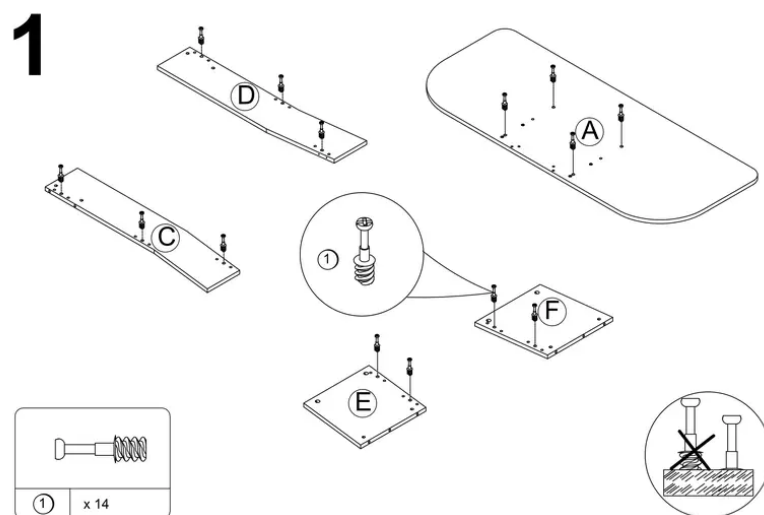
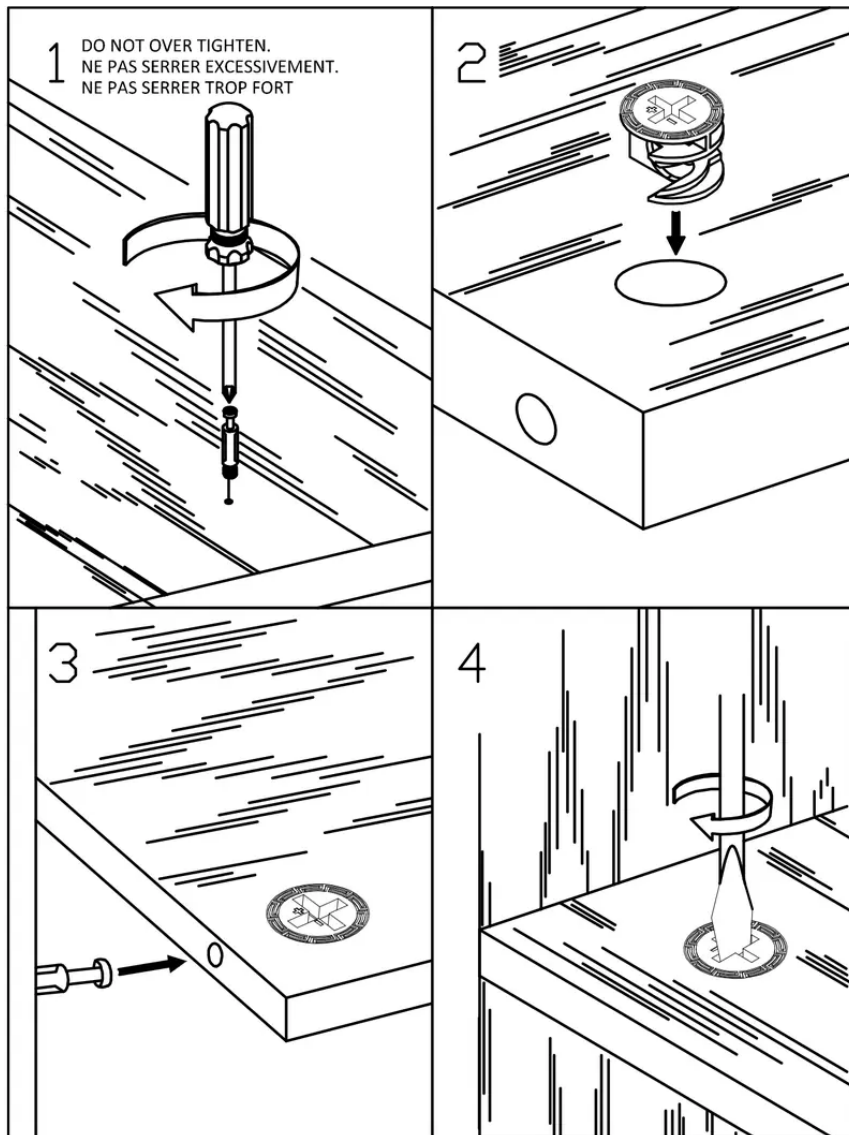


Washer (TCS1035)



Nylon Spacer (TCS7006)

The illustration shows how the cam fastening system works.



2

WARNING LABEL
Risk of death or serious injury. This surface must be placed against a fixed in place wall at least as tall as television.

ETIQUETA DE ADVERTENCIA
Riesgo de muerte o lesión. Esta unidad debe ser colocada frente a una pared y debe ser instalada por lo menos a la misma altura que una televisión.

AVERTISSEMENT
Danger de mort ou de blessures graves. Cette surface doit être placée contre un mur fixé en place au moins aussi grand que la télévision.

② x 6

③ x 12

Proper orientation of cam lock
La orientación apropiada para el seguro de bloqueo
Bonne orientation de la SERRURE DE CAME

3

④ x 2

⑥ x 4

⑩ x 1

③ x 2

⑤ x 2

Lock
Bloquer
Verrouiller

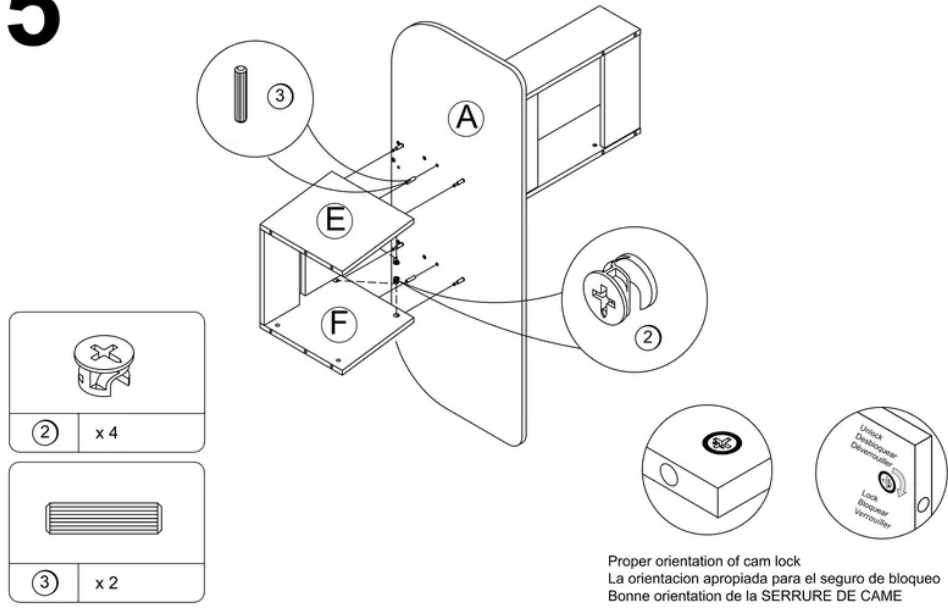
4

② x 4

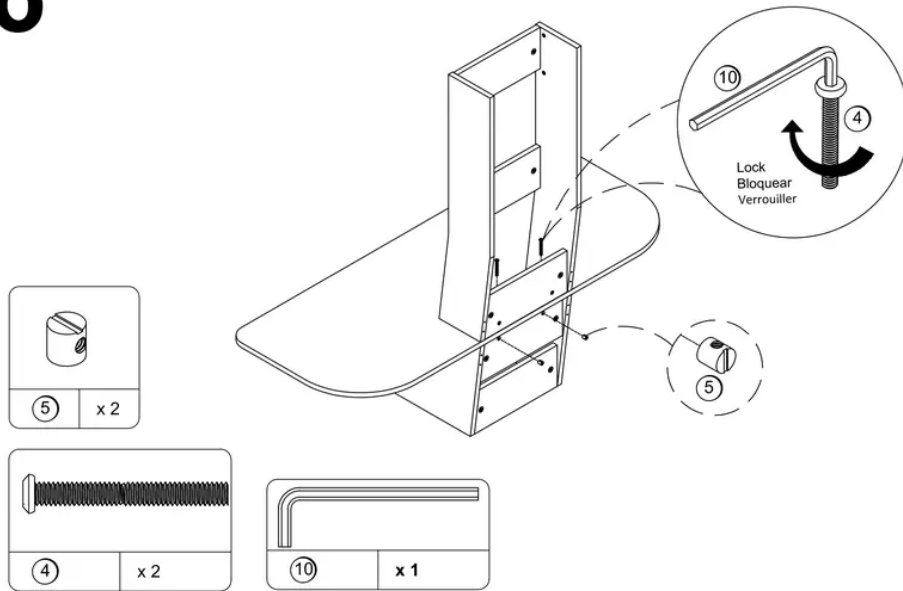
③ x 8

Proper orientation of cam lock
La orientación apropiada para el seguro de bloqueo
Bonne orientation de la SERRURE DE CAME

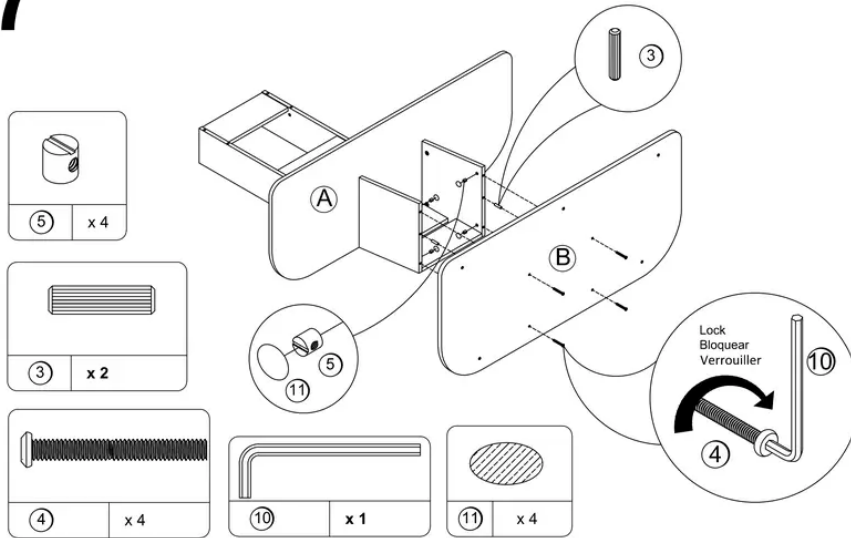
5



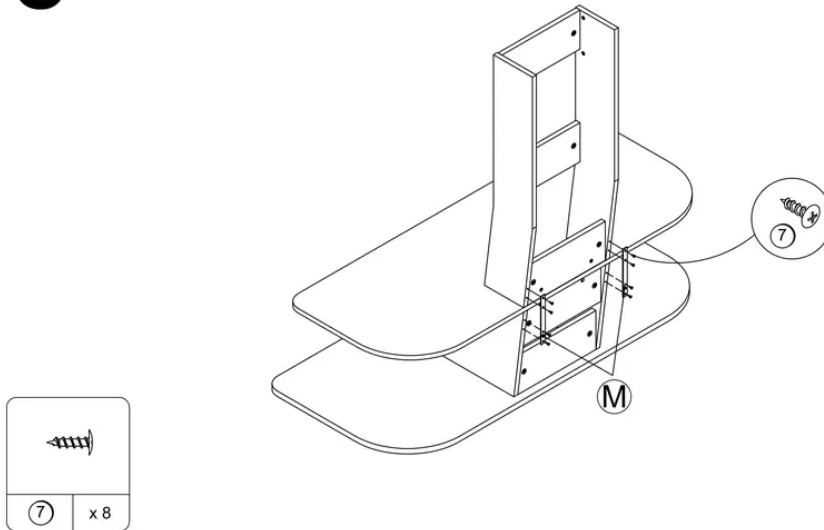
6



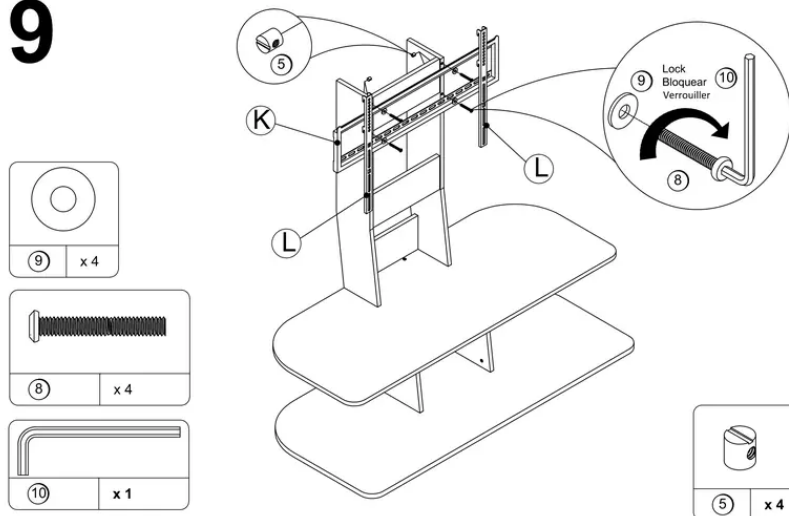
7



8



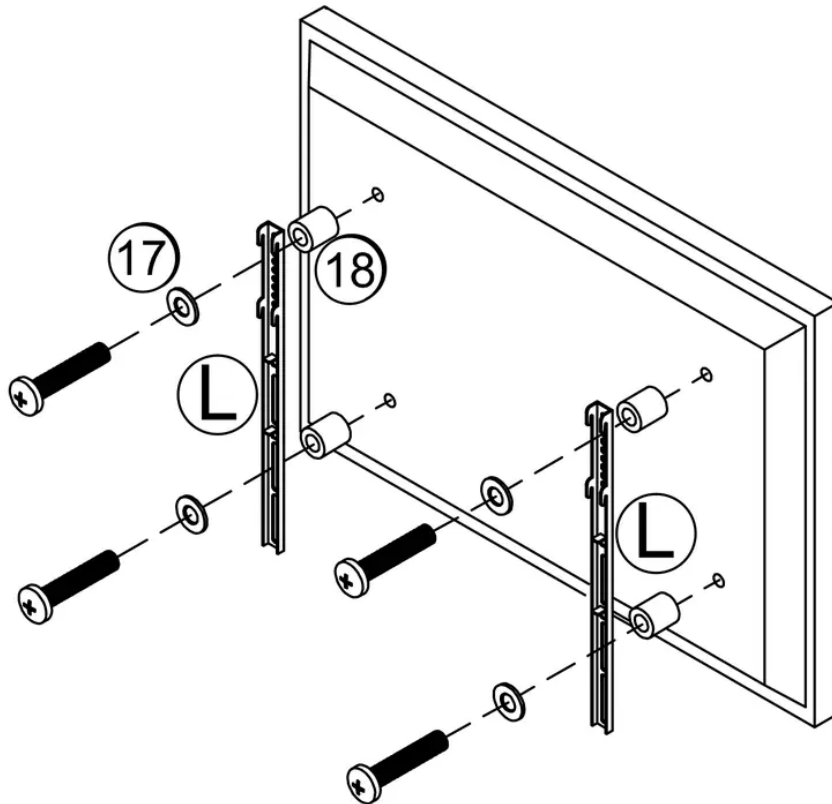
9



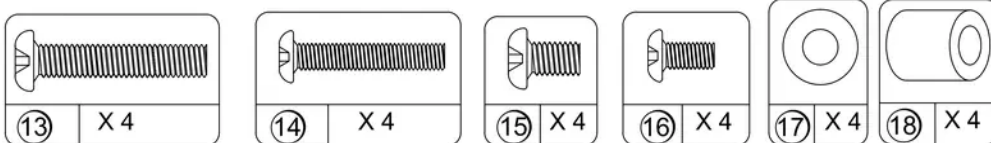
Stop: It is very important to use correct bolts in attaching the back side of TV to upright rails (vertical bar). We strongly recommend taking measures to prevent the TV from toppling over. Unsecured TV may topple and result in property damage, serious bodily injury or even death.

Be sure to use the bolts supplied with the TV when attaching upright rails to the TV set. If bolts are not provided, please follow the following steps:

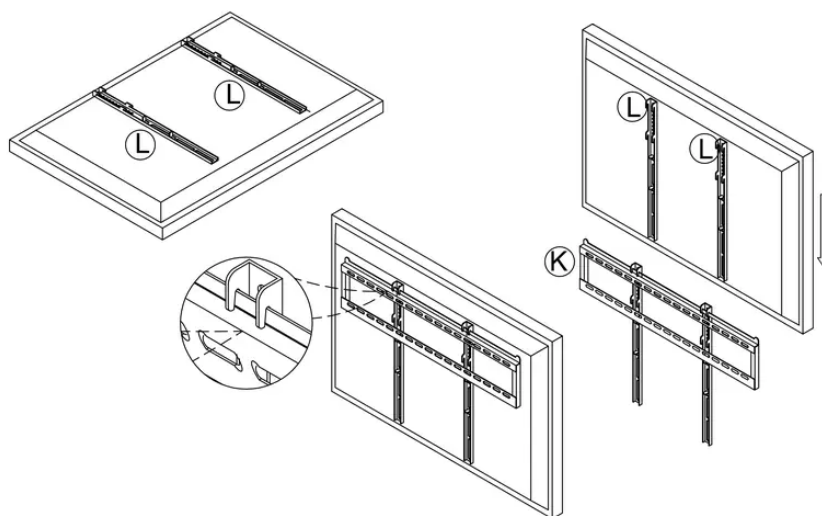
1. Please read Operating Instruction or Owner's Manual of your TV to determine the type and size of bolts. If you cannot find it, Please call your TV manufacturer for this information.
2. Altra Furniture has enclosed assortment of bolts, washers, and spacers in plastic bags that should work with most of TV sets. If you are unable to find correct bolts, please consult your local hardware store.
3. Be sure to use correct bolts (specified by the manufacturer) to attach your TV set to upright rails (vertical bars) as shown in the diagram.



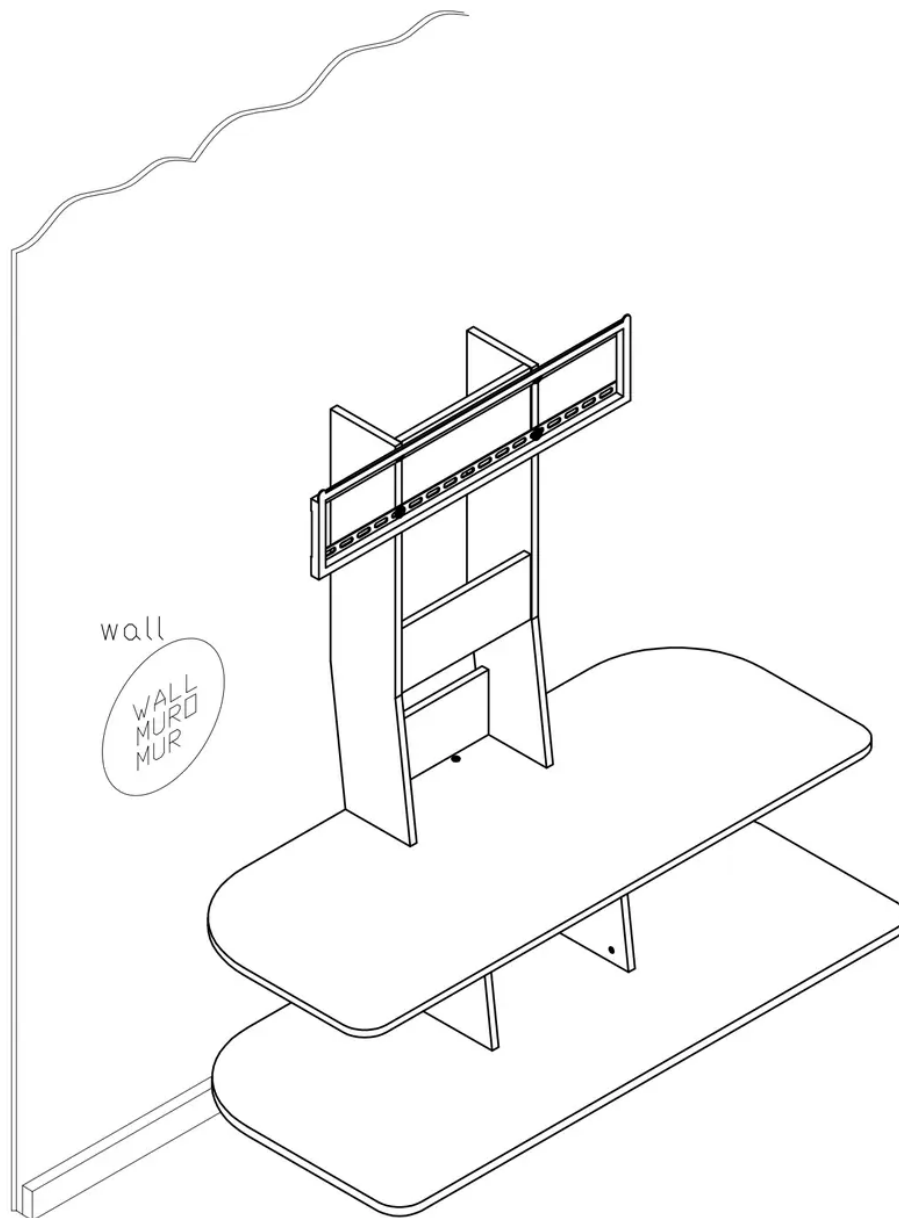
Note: Nylon spacers should be used if your TV set has recessed holes or an obstruction on the back that prevents it from sitting flush against the rails.



Attach the Vertical Bar(L) to TV back side, mount TV to that Stand as right picture shown (downward arrow).

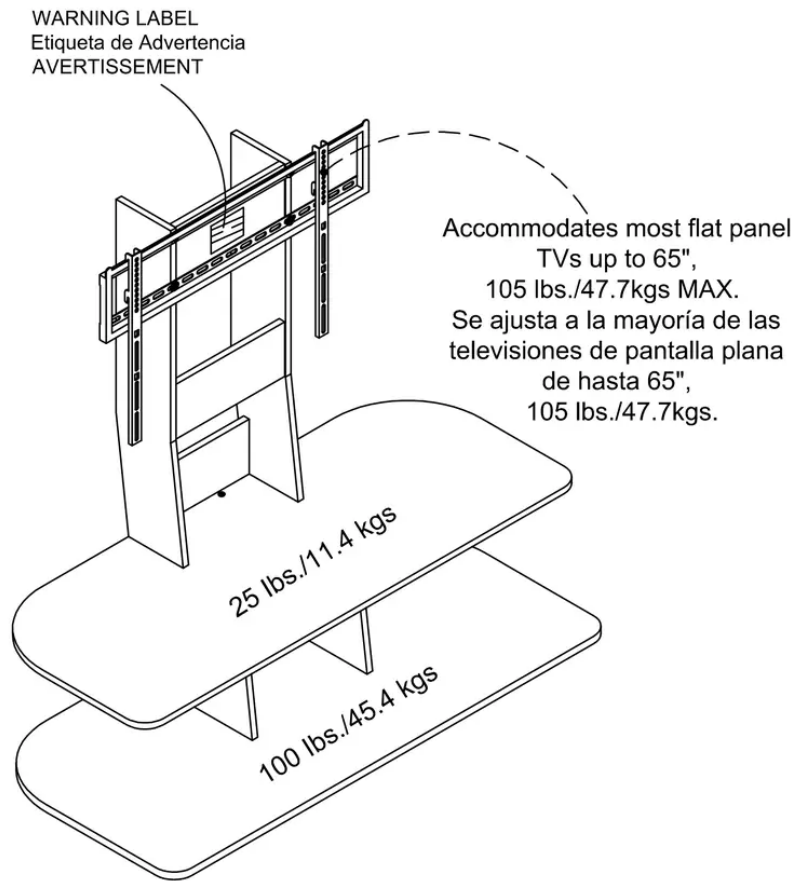


WARNING - Risk of death or serious injury. This unit must be placed against a fixed in place wall at least as tall as television.



This unit has been designed to support the maximum loads shown. Exceeding these load limits could cause sagging, instability, product collapse, and/or serious injury.

WARNING: Please make sure that all the objects are removed before moving the assembled unit. The unit must be lifted by more than one person, not dragged or pushed. Failure to do so will cause product damage, instability, product collapse, and/or serious injury.



Warning

This content is compiled from multiple sources and is provided for reference purposes only. It may not be complete or fully applicable to all situations. If you are unable to resolve your issue, please contact the product manufacturer or an authorized service provider for official support.