

# USER MANUAL



# Expanded View and Hardware

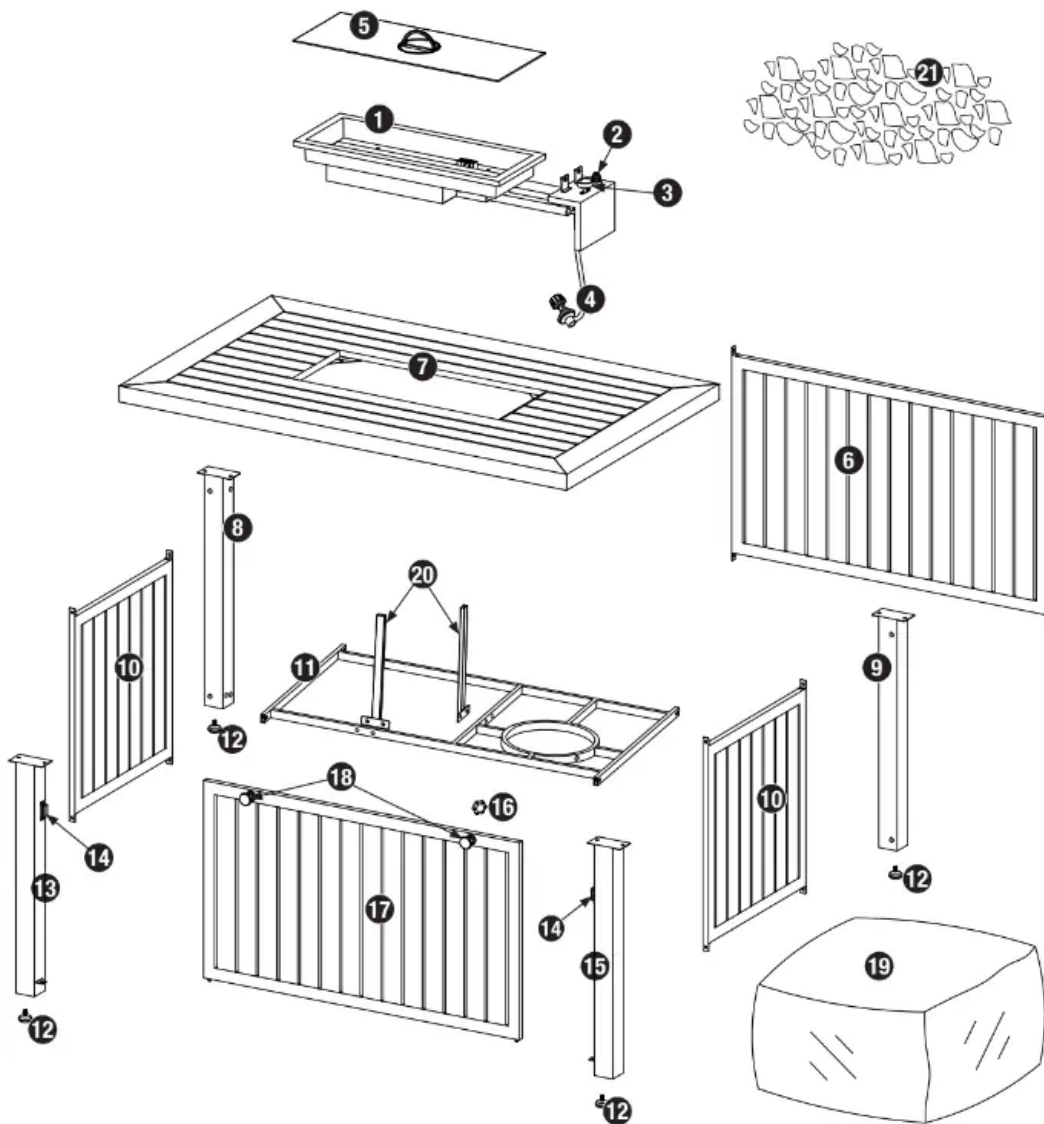
## Parts List



<b>1</b>	Bowl Assembly*	58-24-511
<b>2</b>	Battery Cap*	58-23-752
<b>3</b>	Control Knob*	58-23-753
<b>4</b>	Regulator/Hose Assembly*	58-24-084
<b>5</b>	Table Insert	58-24-512
<b>6</b>	Rear Panel	58-24-513
<b>7</b>	Mantel*	58-24-514
<b>8</b>	Left Rear Leg	58-24-515
<b>9</b>	Right Rear Leg	58-24-516
<b>10</b>	Side Panel (2)	58-24-517
<b>11</b>	Base*	58-23-761
<b>12</b>	Foot (4)*	58-23-762
<b>13</b>	Left Front Leg	58-24-518
<b>14</b>	Magnet (2)*	58-23-764
<b>15</b>	Right Front Leg	58-24-519
<b>16</b>	LP Gas Tank Bolt	58-23-766
<b>17</b>	Door	58-24-520
<b>18</b>	Door Knob (2)*	58-23-768
<b>19</b>	Cover	58-24-521
<b>20</b>	LP Gas Tank Prevent Bar(2)	58-23-770
<b>21</b>	Black Fire Glass	GLS-BLK

\* Pre-assembled

# Expanded View



<b>Hardware Pack 58-23-773</b>			
<b>A</b>	Screw	M5x12 Black Nickel Plated, Phillips Head	24 pcs
<b>B</b>	Screw	M5x20 Black Nickel Plated, Phillips Head	4 pcs
<b>C</b>	AA Battery	1.5 V AA Battery	1 pc



# Assembly Instructions

## 1. DO NOT RETURN TO PLACE OF PURCHASE.

For assistance, call 1-866-439-9800 toll-free. Please have your owner's manual and model number available for reference.

Note: The model number is printed on a label which can be found on the inside door, back or side of the base assembly.

### Assembly Tips:

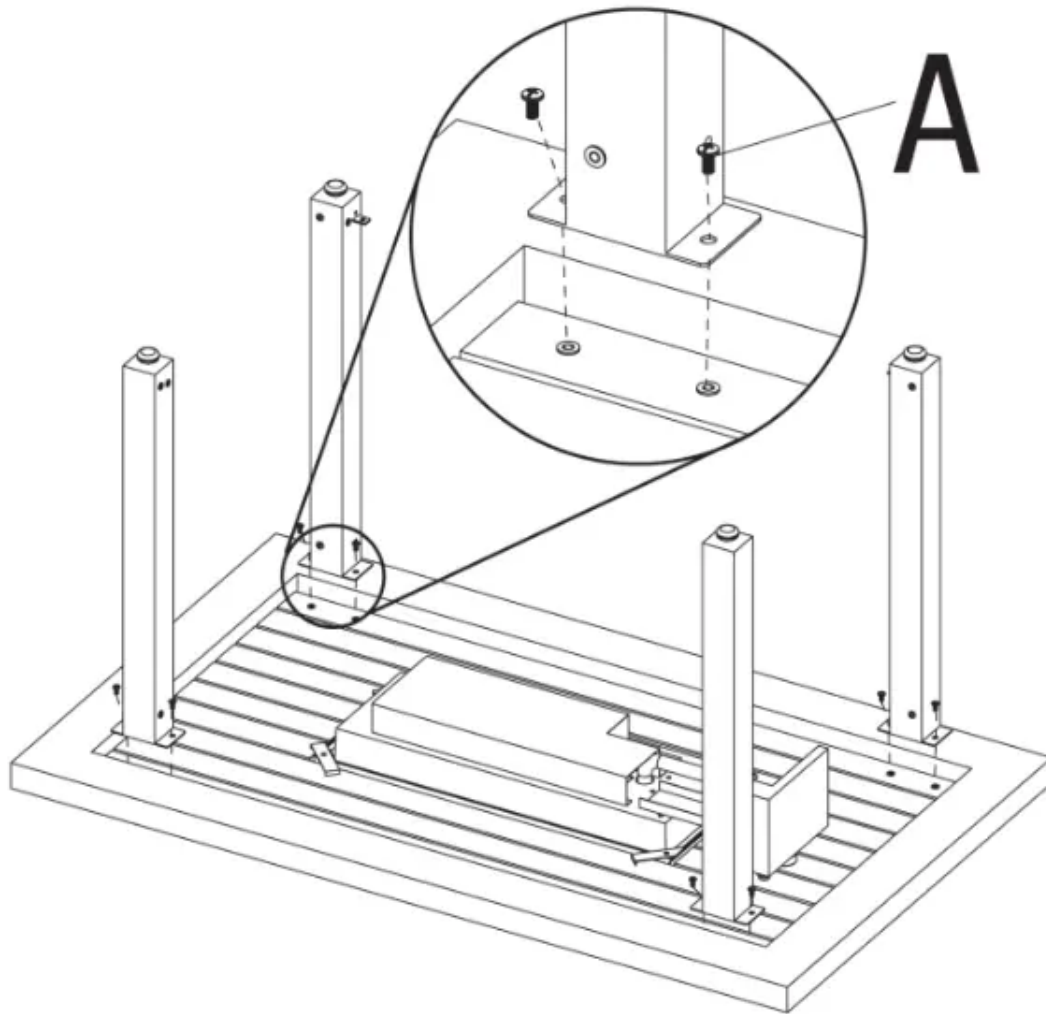
1. Select an area where you will assemble this product. To protect components, choose a smooth surface that's free of cracks or openings.
2. Spread out all parts.
3. Tighten all hardware connections by hand first. Then, before completing each step, go back and fully tighten all hardware. Be careful not to over-tighten. That could damage surfaces or strip threads.
4. For best results, complete each step in the order presented.

To complete assembly you will need:

- (1) Leak detection solution (instructions on how to make the solution are included in the "Operating Instructions" section of this manual).
- (1) Precision-filled LP gas grill tank with Acme Type 1 external threaded valve connection (standard grill size) (not included).

Typical assembly is approximately 20 minutes.

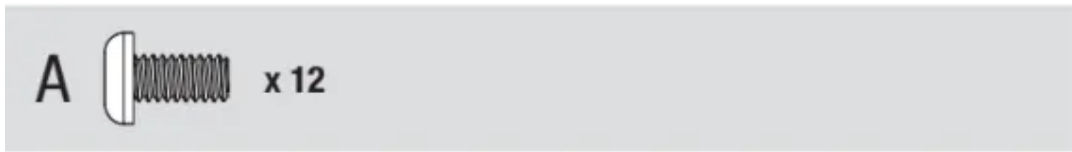
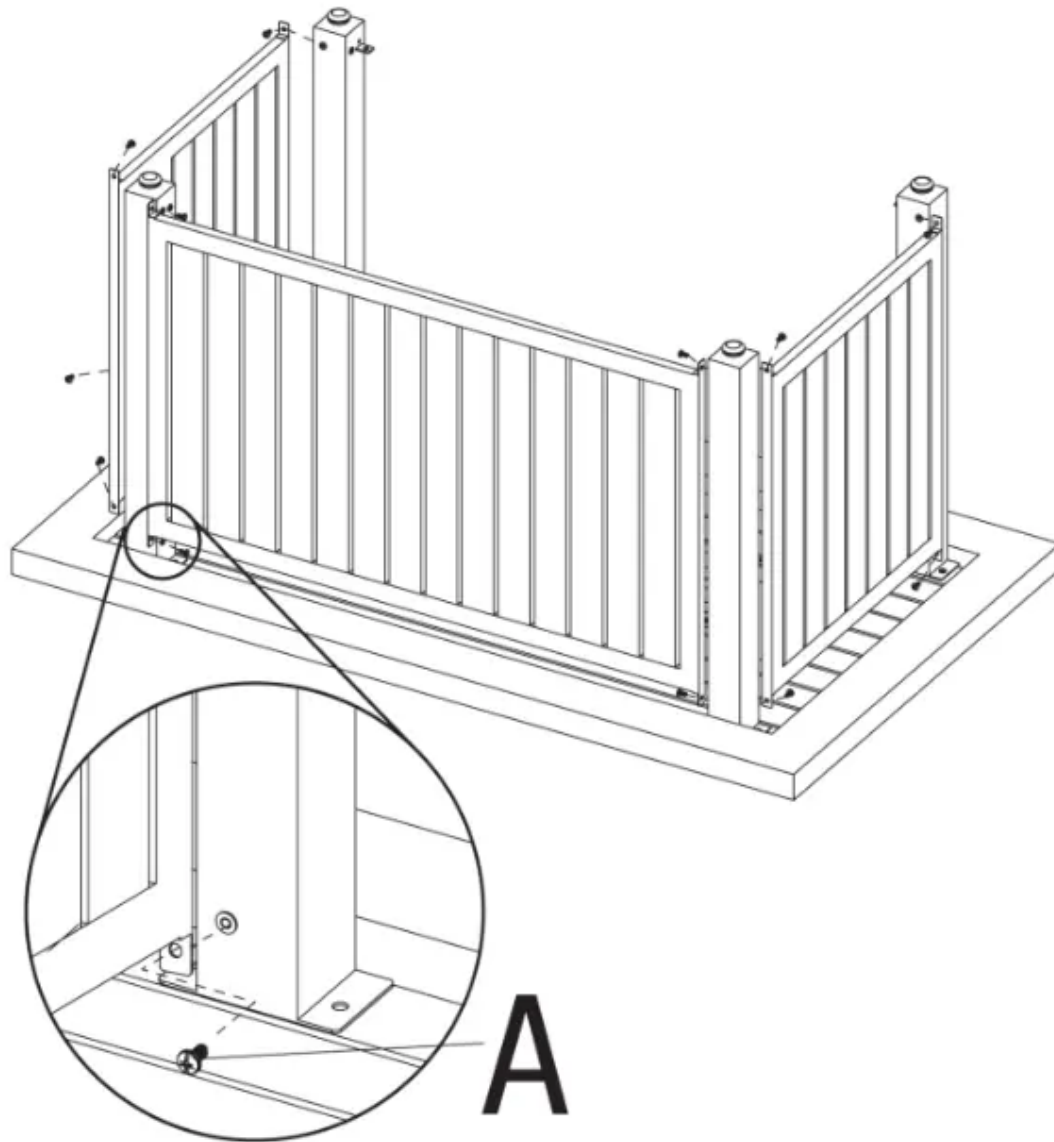
## 2. Attach Legs



## 3. Attach Side Panels and Rear Panel

Note: Attach bottom screws before attaching top screws. Do not fully tighten screws until step 4.

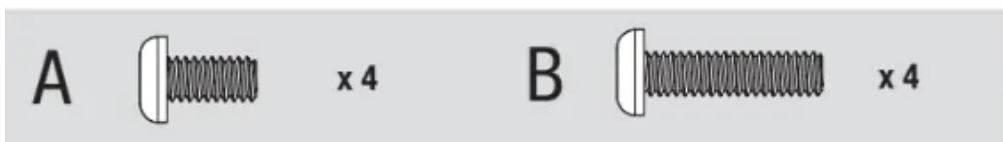
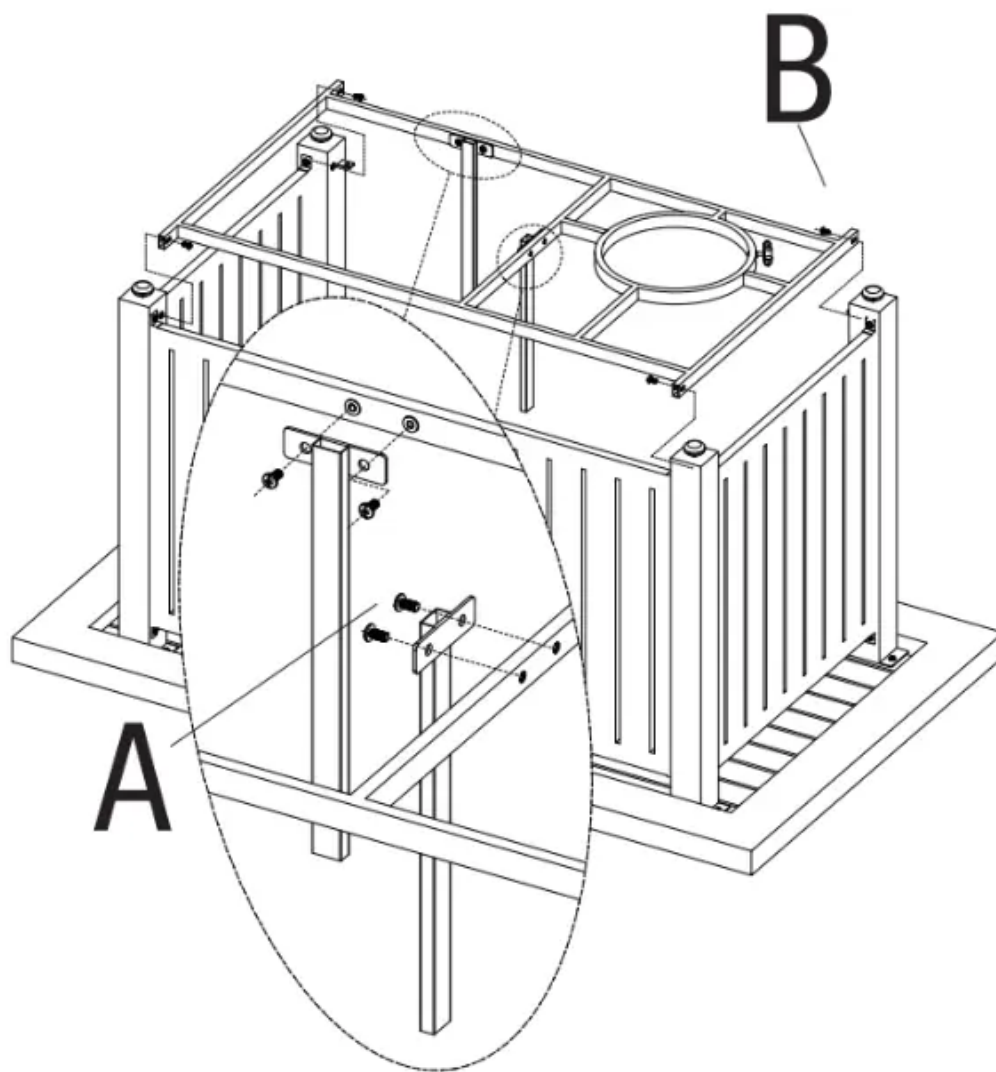




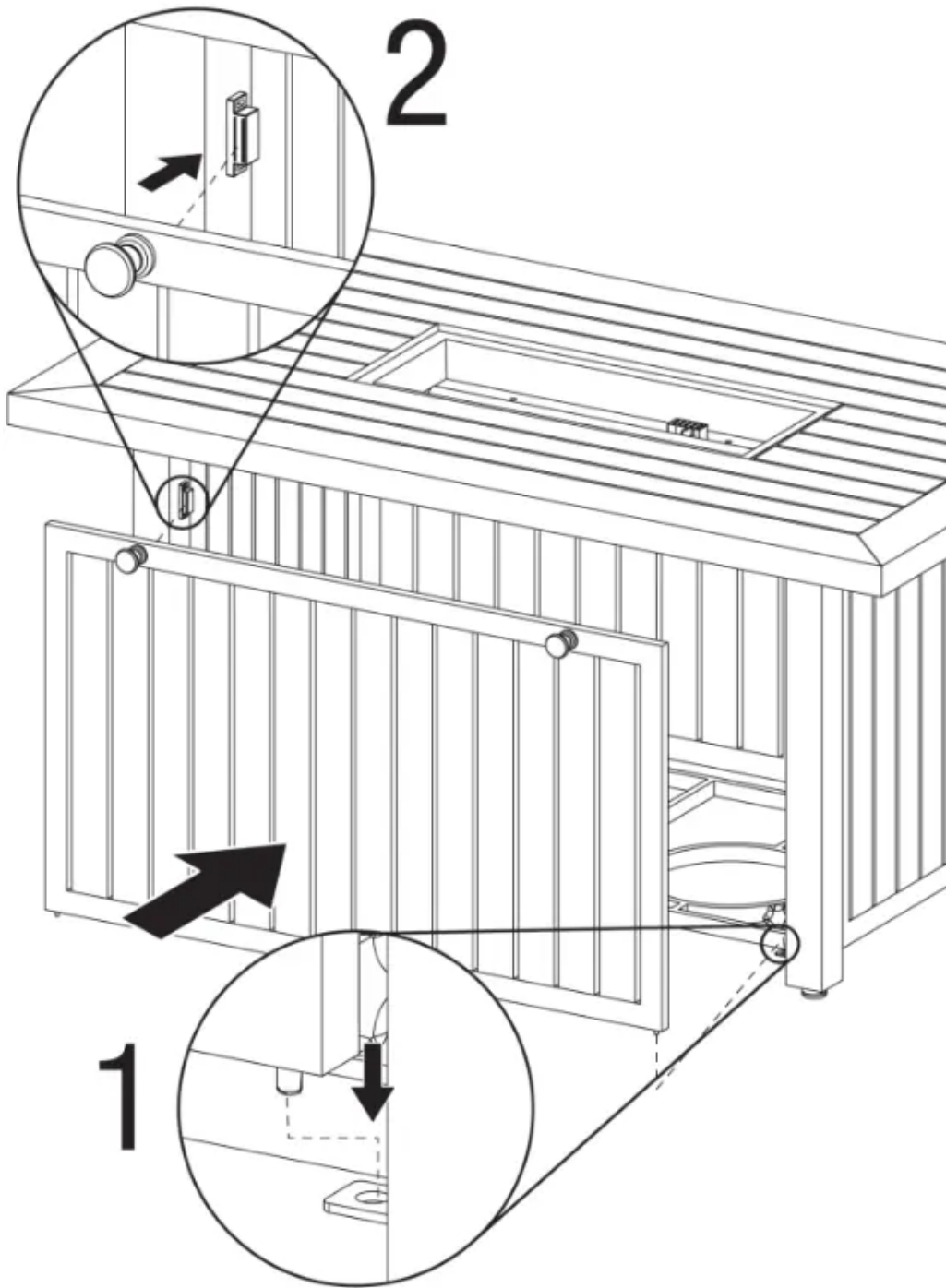
**4. Attach Gas Tank Prevent Bar to Base, then Attach Base**

Note: Tighten screws from steps 2 and 4.



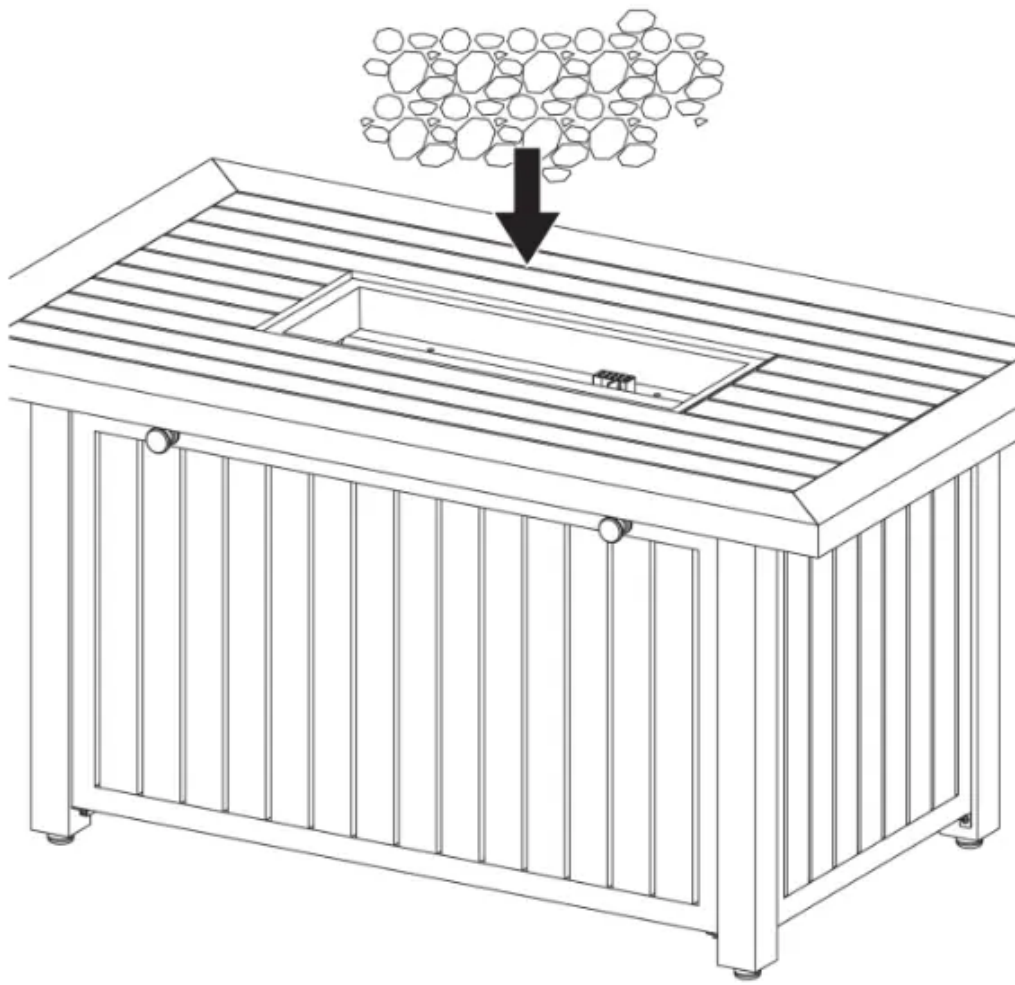


## 5. Place Door

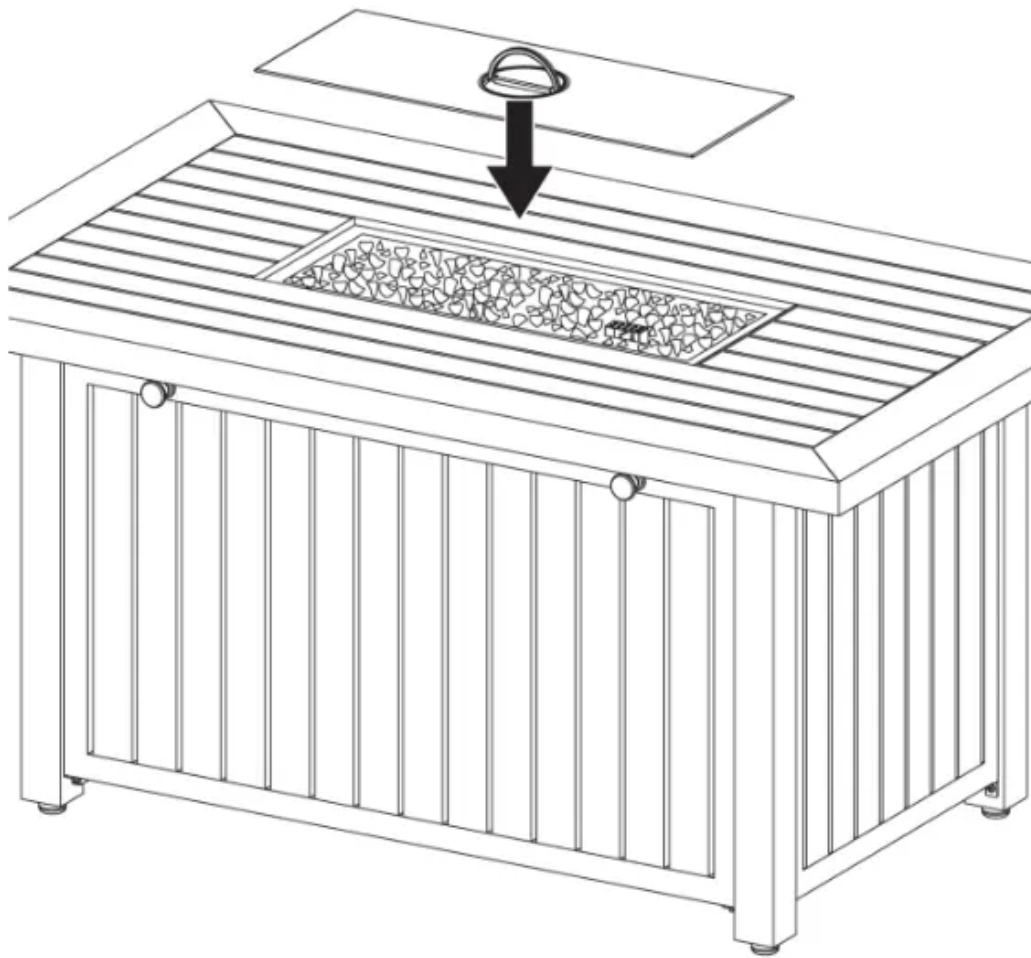


## 6. Place Fire Glass

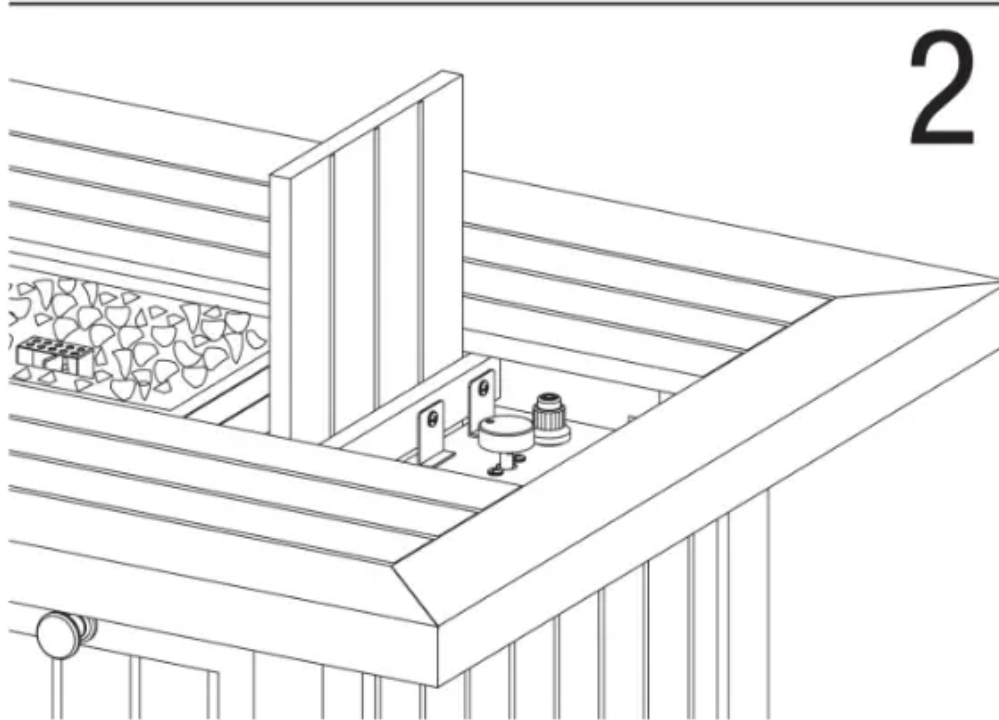
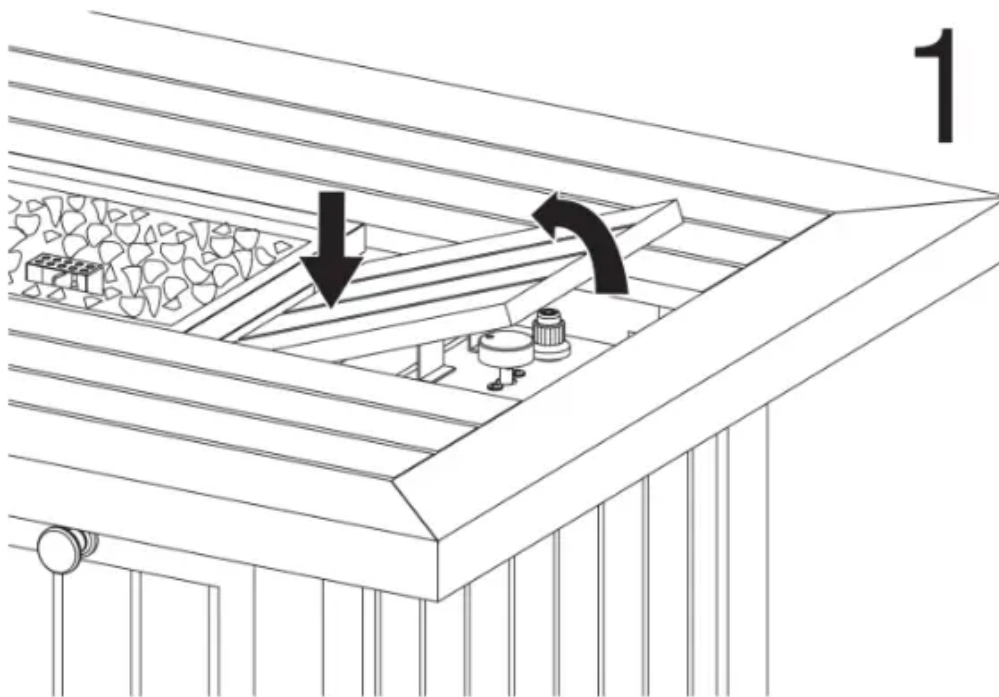
Note: Fire glass should be 0.8-2.0 in (2-5 cm) long. Approx. 8.8 lb (4 kg) of fire glass is needed.



## 7. Place Table Insert

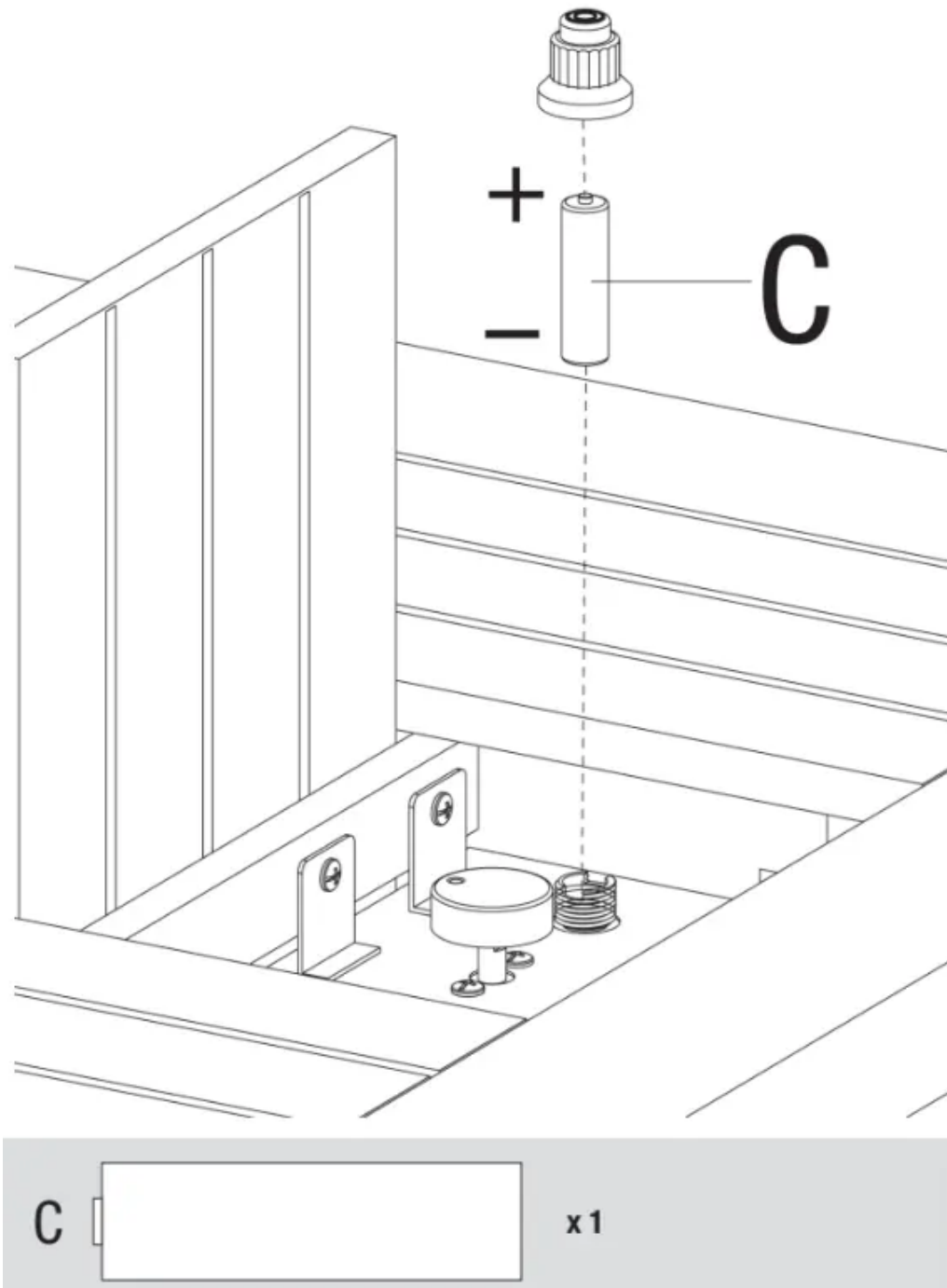


## 8. Open Control Panel



## 9. Insert Battery

Note: Remove plastic wrapper before installing battery.



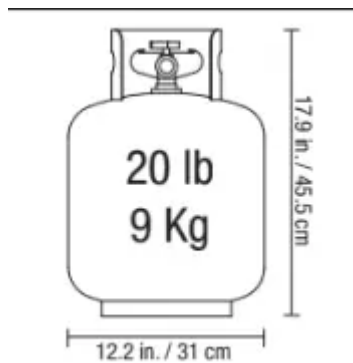
## 10. IMPORTANT BEFORE USE HOW TO SEASON LAVA ROCK

1. Place the lava rocks into the fire pit bowl before turning on.
2. Follow the lighting instructions from the owner's manual to light the fire pit.
3. Turn the fire pit to the highest heat.
4. Allow the lava rocks to heat at the maximum temperature for 30 minutes before enjoying fire pit.
5. Keep all people and any material that could burn at least 15 feet away from the fire pit while the lava rocks are being seasoned.

6. Repeat the process if your fire pit has been exposed to rain or moisture.
7. Keep your fire pit covered when not in use.

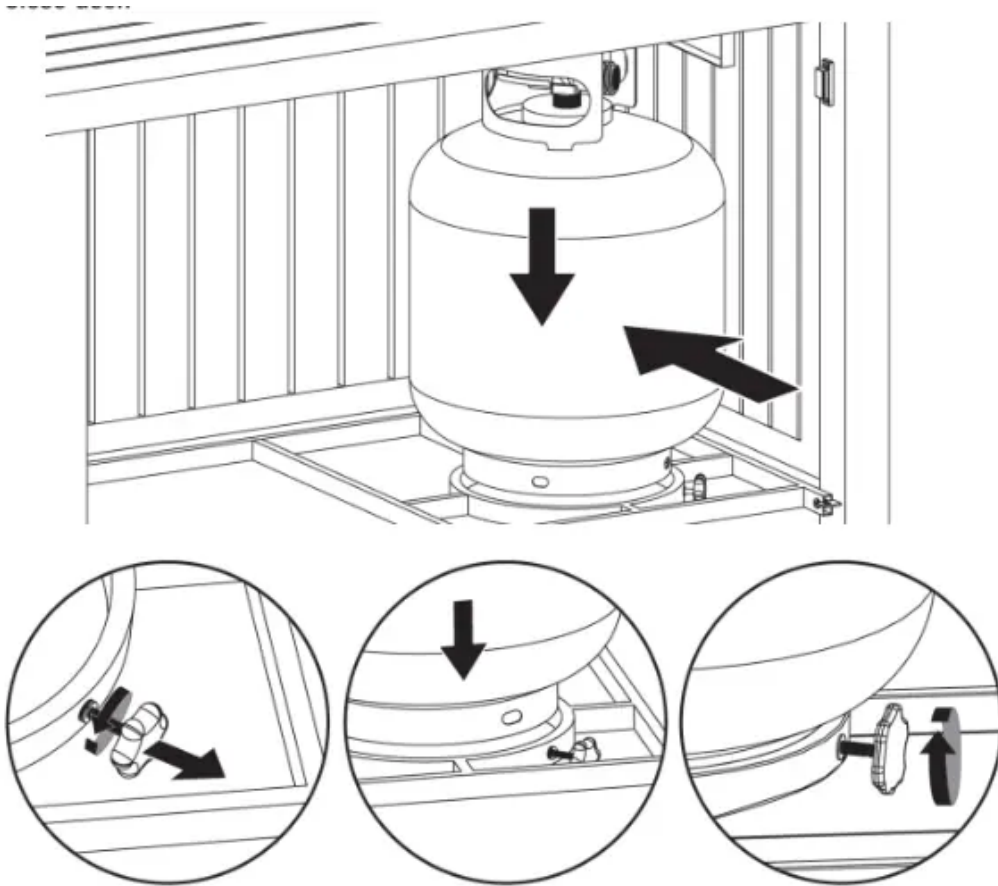
## Installing LP Gas Tank

To operate, you will need one precision-filled standard grill LP gas tank with external valve threads.



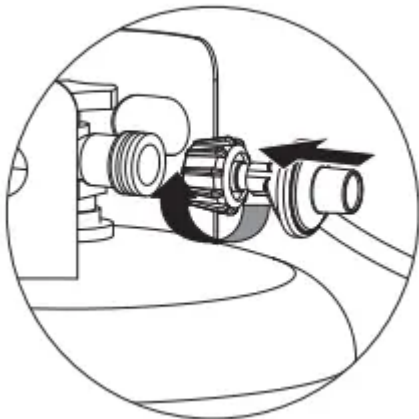
## Inserting LP Gas Tank

1. Open door.
2. Loosen LP gas tank retainer bolt by turning counter-clockwise.
3. Place precision-filled LP gas tank upright into hole in outdoor fire pit base so the tank valve is facing the gas line connection.
4. Secure tank by turning LP gas tank retainer bolt clockwise until tight.
5. Close door.



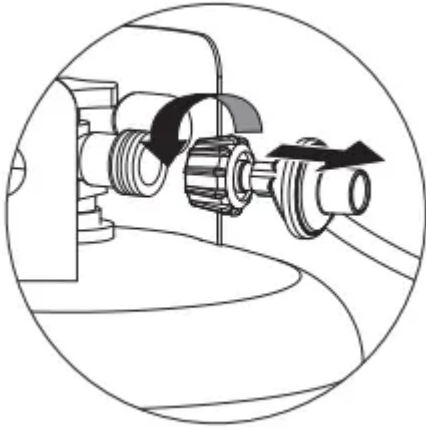
## Connecting LP Gas Tank

1. Make sure the control knob is in the “ OFF” position (Figure 3).
2. Before connecting, be sure there is no debris caught in the head of the LP gas tank, head of the regulator valve or in the head of the burner or burner ports.
3. Connect regulator/hose assembly to tank by turning knob clockwise until it stops.
4. Perform leak check per “Checking for Leaks” section.



## Disconnecting LP Gas Tank

1. Make sure the control knob is in the “ OFF” position (Figure 3).
2. Before disconnecting, make sure the LP gas tank valve is “CLOSED.”
3. Disconnect regulator/hose assembly from LP gas tank by turning knob counterclockwise until it is loose.
4. Place the protective cap cover on the LP tank and store the tank outdoors in a well ventilated area out of direct sunlight.



## Operating Instructions

### Checking for Leaks

### Burner Connections

1. Make sure the regulator hose and valve connections are securely fastened to the burner and the tank.
2. Visually check the connection between the burner/venturi tube and orifice.
3. Make sure the burner/venturi tube fits over the orifice.
4. Refer to diagram for proper installation (Figures 1 and 2).
5. If the burner/venturi tube does not rest flush to the orifice, as shown, please contact 1-866-439-9800 for assistance.

Figure 1

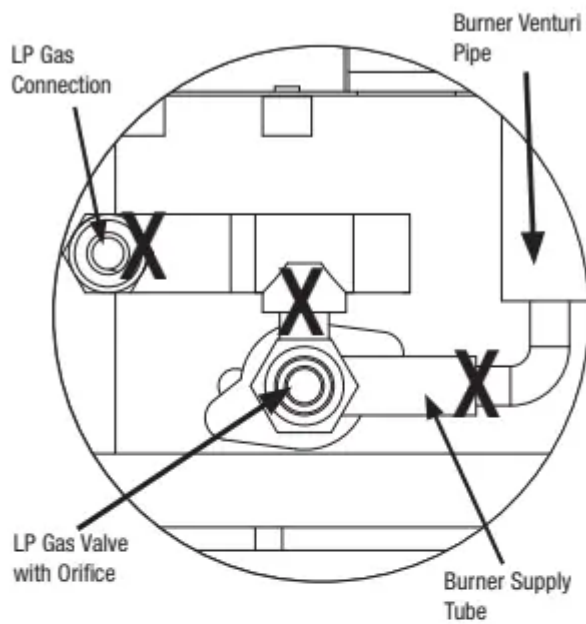
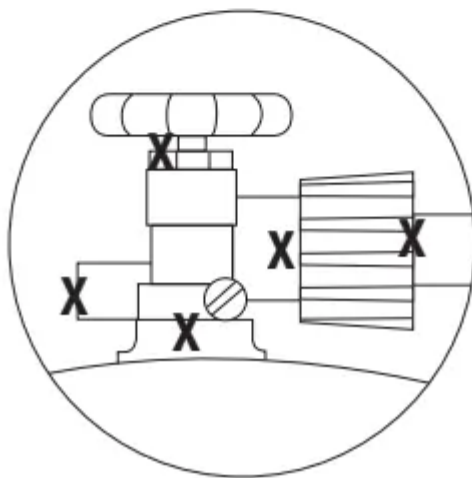


Figure 2

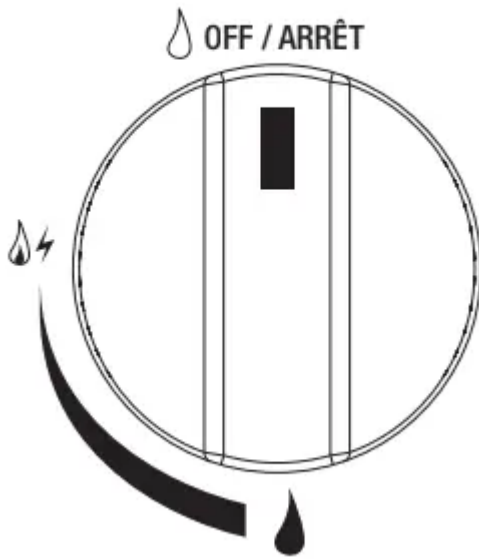


### Tank/Gas Line Connection

1. Make 2-3 oz. of leak detection solution by mixing one part liquid dishwashing soap with three parts water.
2. Make sure control knobs are in the "OFF" position (Figure 3).
3. Connect LP gas tank per "Installing LP Gas Tank" section.
4. Turn LP gas tank valve to "OPEN."
5. Spoon several drops of solution, or use a squirt bottle, at all "X" locations (Figures 1 and 2).

- a. If any bubbles appear, turn LP gas tank valve to “CLOSED,” reconnect and re-test.
- b. If you continue to see bubbles after several attempts, turn LP gas tank valve to “CLOSED” and disconnect LP gas tank, per “Disconnecting LP Gas Tank” section. Contact for assistance.
- c. If no bubbles appear after one minute, turn LP gas tank valve to “CLOSED,” wipe away solution and proceed.

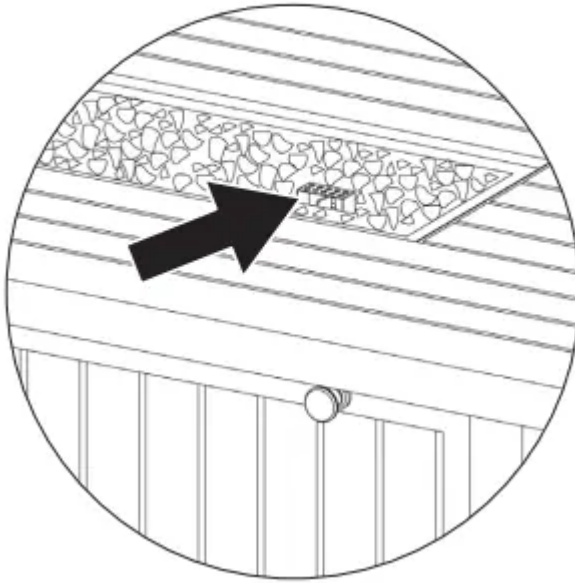
Figure 3



## Lighting

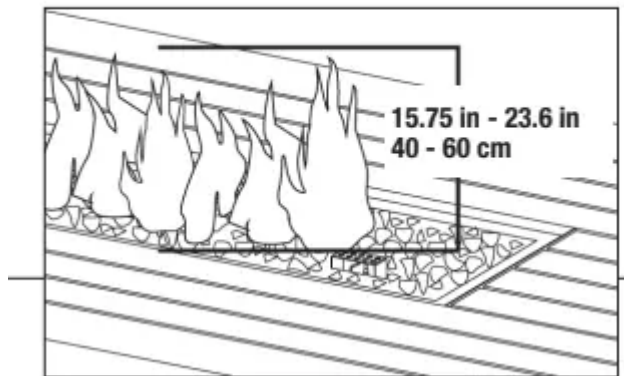
1. Make sure all labels, packaging and protective films have been removed from the outdoor fire pit.
2. Check for obstructions of airflow to the burner. Spiders, insects and webs can clog the burner/venturi tube. A clogged burner tube can lead to a fire.
3. Control knob must be in the “OFF” position (Figure 3).
4. Clear small area of fire glass away from the igniter cover (Figure 4).
5. Connect LP gas tank per “Installing LP Gas Tank” section.

Figure 4




1. Turn LP gas tank valve to “OPEN.”
2. Push and turn control knob to ( 🔥 HIGH). Continue to hold the control knob in to light.
3. After the fire pit lights, continue to hold the control knob in for 20 seconds to heat the thermocouple, a safety device that stops the gas flow when a firepit is not lit. Holding the knob in for 20 seconds warms it up so the gas flow will continue.
4. After 20 seconds, release and turn control knob counterclockwise to adjust flame to desired height.
5. After three attempts, if ignition does not occur, turn the burner control knob to “ 🔥 OFF.”
6. Wait 5 minutes, fan with a newspaper or magazine, and repeat lighting procedure.
7. If igniter does not light burner:
  - a. Wearing heat-resistant gloves, position a lit long match or lit long butane lighter near the pilot housing.
  - b. Push and turn control knob to ( 🔥 HIGH).
  - c. Remove match/lighter once burner is lit.
8. After lighting, observe the burner flame. Make sure all burner ports are lit and flame height matches illustration (Figure 5).

Figure 5



## Turning Off

1. Turn LP gas tank valve to “CLOSED.”
2. Turn control knob to the “ OFF” position.
3. Disconnect LP gas tank per “Disconnecting LP Gas Tank” section.

## Cleaning and Care

### CAUTION:

1. All cleaning and maintenance should be done when outdoor fire pit is cool and with the fuel supply disconnected.
2. Do NOT clean any outdoor fire pit part in a self-cleaning oven. The extreme heat will damage the finish.
3. Do NOT enlarge valve orifices or burner ports when cleaning the valves or burners.
4. All components on this outdoor fire pit can become hot.
5. Do NOT clean this outdoor fire pit until all components are cool.

### Notices

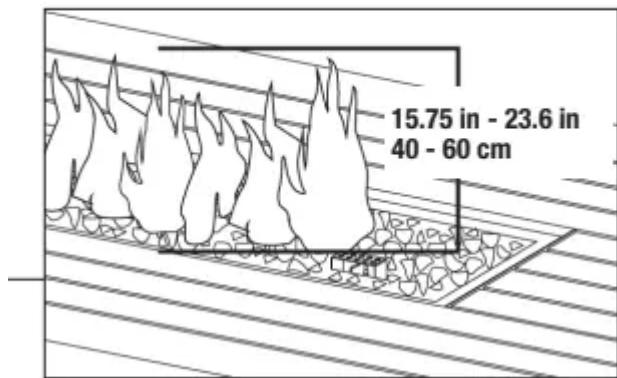
1. This outdoor fire pit should be thoroughly cleaned and inspected on a regular basis.
2. Abrasive cleaners will damage this product.
3. NEVER use oven cleaner to clean any part of this outdoor fire pit.

### Before Each Use:

1. Keep the outdoor fire pit area clear and free from any combustible materials, gasoline, and other flammable vapors and liquids.
2. Do NOT obstruct the flow of the combustion of LP gas and the ventilation of air.

3. Keep the ventilation opening(s) of the LP gas tank area free and clear from debris.
4. Visually check the burner flames to make sure your outdoor fire pit is working properly (Figure 5).
5. See below for proper cleaning instructions.
6. Check all gas connections for leaks.
7. Check components for any signs of damage or rust.
8. Check for obstructions of airflow to the burner. Spiders, insects and webs can clog the burner/venturi tube. A clogged burner/venturi tube can lead to a fire.
9. If damage to any component is detected, do NOT operate until repairs are completed.

**Figure 5**



## **Cleaning Surfaces**

1. Wipe surfaces clean with mild dishwashing detergent or baking soda mixed with water.
2. For stubborn stains, use a citrus-based cleaner and a nylon scrubbing brush.
3. Rinse clean with water.
4. Allow to air dry.

## **Maintenance**

To enjoy years of outstanding performance from your heater, make sure you perform the following maintenance activities on a regular basis:

1. Keep exterior surfaces clean.
2. Perform routine maintenance.
3. Air flow must be unobstructed. Keep controls, burner, and circulating air passageways clean. Signs of possible blockage include:
  - Gas odor with extreme yellow tipping of flame.
  - Outdoor fire pit does NOT reach the desired temperature.

- Lower burner on outdoor fire pit glow is excessively uneven.
- Lower burner on outdoor fire pit makes popping noises.

Note: In a salt-air environment (such as near an ocean), corrosion occurs more quickly than normal. Frequently check for corroded areas and repair them before operating.


TIP: Use high-quality automobile wax to help maintain the appearance of your outdoor fire pit. Apply to exterior surfaces. Do NOT apply to burners, emitter screen or domes.

## Cleaning Burner

**WARNING:** All cleaning should be done when appliance is cool and with the fuel supply disconnected per “Disconnecting LP Gas Tank.”

1. Remove the fire glass/lava rock.
2. Remove all dirt/dust from the burner, igniter cover and venturi area with a small brush and/ or compressed air.
3. Visually inspect the burner for any rust or damage. If damage is found, replace necessary parts with new from the manufacturer.
4. Clean any clogged burner ports with a stiff wire (such as an opened paper clip).
5. Carefully replace the fire glass/lava rock being cautious not to block the igniter cover.

## Before Storing

1. Turn LP gas tank valve to “CLOSED.”
2. Turn control knob to the “ OFF” position.
3. Disconnect LP gas tank per “Disconnecting LP Gas Tank” section.
4. Clean all surfaces.
5. Lightly coat the burner with cooking oil to prevent excess rusting.
6. If storing the outdoor fire pit indoors, cover the outdoor fire pit and store in a cool dry location away from children and pets.
7. If storing the outdoor fire pit outdoors, cover the outdoor fire pit with a cover for protection from the weather.

## Troubleshooting

Problem	Possible Cause	Prevention/Cure
Burner will not light using igniter	LP gas tank valve is closed	Make sure regulator is securely attached to the LP

		gas tank per “Installing LP Gas Tank,” then turn LP gas tank valve to “OPEN”
	LP gas tank is low or empty	Exchange, refill or replace LP gas tank
	LP gas leak	<ol style="list-style-type: none"> <li>1. Turn LP gas tank valve to “CLOSED”</li> <li>2. Wait 5 minutes for gas to clear</li> <li>3. Follow “Checking for Leaks” section</li> </ol>
	Battery needs to be changed	Replace the “AA” battery (follow assembly step for inserting battery)
	Electrode and burners are wet	Wipe dry with cloth
	Electrode cracked or broken - sparks at crack	Replacement part(s) may be needed - contact Customer Care at 1-866-439- 9800
	Wire loose or disconnected	Reconnect wire or replacement part(s) may be needed - contact Customer Care at 1-866-439-9800
	Wire is shorting (sparking) between igniter and electrode	Replacement part(s) may be needed - contact Customer Care at 1-866-439- 9800
	Thermocouple is not operating correctly	<ol style="list-style-type: none"> <li>1. Disconnect LP Gas tank per “Disconnect LP Gas Tank” section.</li> <li>2. Clean area around thermocouple.</li> </ol>


**Warning**



		<p>3. Connect LP gas tank per “Connect LP Gas Tank” section.</p> <p>4. Relight per “Lighting” section.</p> <p>5. If the outdoor fire pit is still not working, please contact Customer Care at 1-866-439-9800 for additional assistance.</p>
	Bad igniter	Replacement part(s) may be needed - contact Customer Care at 1-866-439-9800
Burner will not light with match	No gas flow	<p>Check if LP gas tank is empty</p> <p>a. If empty, exchange, refill or replace LP gas tank</p> <p>b. If LP gas tank is not empty, refer to “Sudden drop in gas flow or reduced flame height” (see below)</p>
	LP gas tank is low or empty	Exchange, refill or replace LP gas tank
	LP gas leak	<p>1. Turn LP gas tank valve to “CLOSED”</p> <p>2. Wait 5 minutes for gas to clear</p> <p>3. Follow “Checking for Leaks” section</p>
	Coupling nut and regulator not fully connected	Turn the coupling nut about one-half to three-quarters additional turn until solid stop.




This content is compiled from multiple sources and is provided for reference purposes only. It may not be



		Tighten by hand only - do NOT use tools.
	Obstruction of gas flow	1. Clear burner/venturi tube 2. Check for bent or kinked hose
	Disengagement of burner to valve	Re-engage burner and valve
	Spider webs or insect nest in burner/venturi tube	Clean burner/venturi tube
	Thermocouple is not operating correctly	1. Disconnect LP Gas tank per "Disconnect LP Gas Tank" section. 2. Clean area around thermocouple.  3. Connect LP gas tank per "Connect LP Gas Tank" section.  4. Relight per "Lighting" section.  5. If the outdoor fire pit is still not working, please contact Customer Care at 1-866-439-9800 for additional assistance.
	Burner ports clogged or blocked	Clean burner ports
Sudden drop in gas flow or reduced flame height	Out of gas	Exchange, refill or replace LP gas tank
	Overfilling prevention device may have been activated	1. Turn control knob to "OFF" 

complete or fully applicable to all situations. If you are unable to resolve your issue, please contact the



		<p>2. Wait 30 seconds and light outdoor fire pit per “Lighting” section 3. If flames are still too low, reset the overfilling prevention device:</p> <p>a. Turn control knob(s) “ OFF”</p> <p>b. Turn LP gas tank valve to “CLOSED”</p> <p>c. Disconnect regulator</p> <p>d. Turn control knobs to ( HIGH)</p> <p>e. Wait two minutes</p> <p>f. Turn control knobs to “ OFF”</p> <p>g. Reconnect regulator and leak check connections, being careful not to fully open valve</p> <p>h. Light outdoor fire pit per “Lighting” section</p>
Irregular flame pattern, flame does not run the full length of burner	Burner ports are clogged or blocked	Clean burner ports
Flame is yellow or orange	New burner may have residual manufacturing oils	Burn outdoor fire pit for 15 minutes and reinspect
	Spider webs or insect nest in burner/venturi tube	Clean burner/venturi tube
	Poor alignment of valve to burner/venturi tube	Ensure burner/venturi tube is properly engaged with valve

product manufacturer or an authorized service provider for official support.



Flame goes out	High or gusting winds	Do not use outdoor fire pit in high winds
	Low on LP gas	Exchange, refill or replace LP gas tank
	Excess flow valve tripped	Refer to “Sudden drop in gas flow or reduced flame height”
	Thermocouple is not operating correctly	<ol style="list-style-type: none"> <li>1. Disconnect LP Gas tank per “Disconnect LP Gas Tank” section.</li> <li>2. Clean area around thermocouple.</li> <li>3. Connect LP gas tank per “Connect LP Gas Tank” section.</li> <li>4. Relight per “Lighting” section.</li> <li>5. If the outdoor fire pit is still not working, please contact Customer Care at 1-866-439-9800 for additional assistance.</li> </ol>
Flashback (fire in venturi/ burner tube(s))	Burner and/or burner/venturi tube is blocked	Clean burner and/or burner/venturi tube
Flame seems to lose heat when burning in cold weather - temperature below 50°F	Ice has built up on the outside of the LP gas tank because the vaporization process is too slow	<ol style="list-style-type: none"> <li>1. Turn off per “Turning Off” section</li> <li>2. Replace with a spare LP gas tank</li> <li>3. Reconnect LP gas tank per “Installing LP Gas Tank” section</li> <li>4. Follow “Checking for Leaks” section</li> <li>5. Light outdoor fire pit per “Lighting” section</li> </ol>

