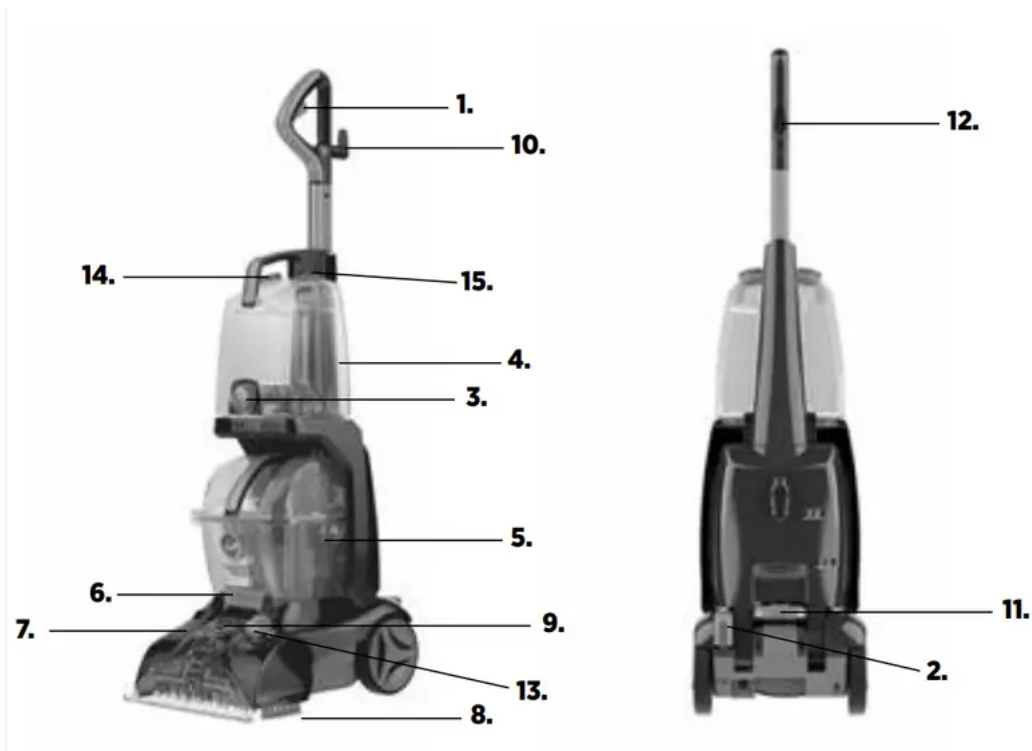


User Manual Carpet Cleaner

Features



1. Water & Solution Trigger: Press to release
2. ON/OFF Pedal
3. Wash/Rinse Mode Selector
4. Clean Water/Solution Tank
5. Dirty Water Recovery Tank
6. Dirty Water Recovery Tank Latch
7. Solution Connection Port for Hose
8. Nozzle
9. Hose Connection Port
10. Cord Storage Hook
11. Handle Release Pedal
12. Cord Clip
13. Cleaning Mode Dial
14. Clean Water Fill Port
15. Solution Fill Port

Cleaning Modes:

1. Turn the cleaning mode selection dial on the base of the unit to choose your preferred cleaning mode. Align arrow to preferred mode.

a. Quick Clean Mode: Best for a quick, surface clean because carpets dry in less than 1 hour.

b. Deep Clean Mode: Best overall results for a thorough, deep clean.



Before you begin Cleaning

Vacuum carpet and upholstery thoroughly with a Hoover vacuum before use.

Don't use the carpet cleaner as a traditional vacuum cleaner.

Use your Hoover carpet cleaner only if upholstery fabric is marked with a "W" (for "wet" clean) or "S/W" (for "solvent/dry" or "wet" clean). Don't clean fabric marked "S" ("solvent/ dry" clean only).

Test for colorfastness in a small, hidden area. Gently rub surface with a dampened white cloth. Wait ten minutes and check for color removal or bleed with a white paper towel.

Move furniture out of area to be cleaned. Place aluminum foil or wax paper under legs of furniture too heavy to move to prevent wood finishes from staining carpet. Pin up furniture skirts and draperies.

Pretreat spots and heavy traffic areas with a Hoover® Cleaning Solution*. See the "Cleaning Solutions" section.

*Available at additional cost if not included with your model.

Pretreating:

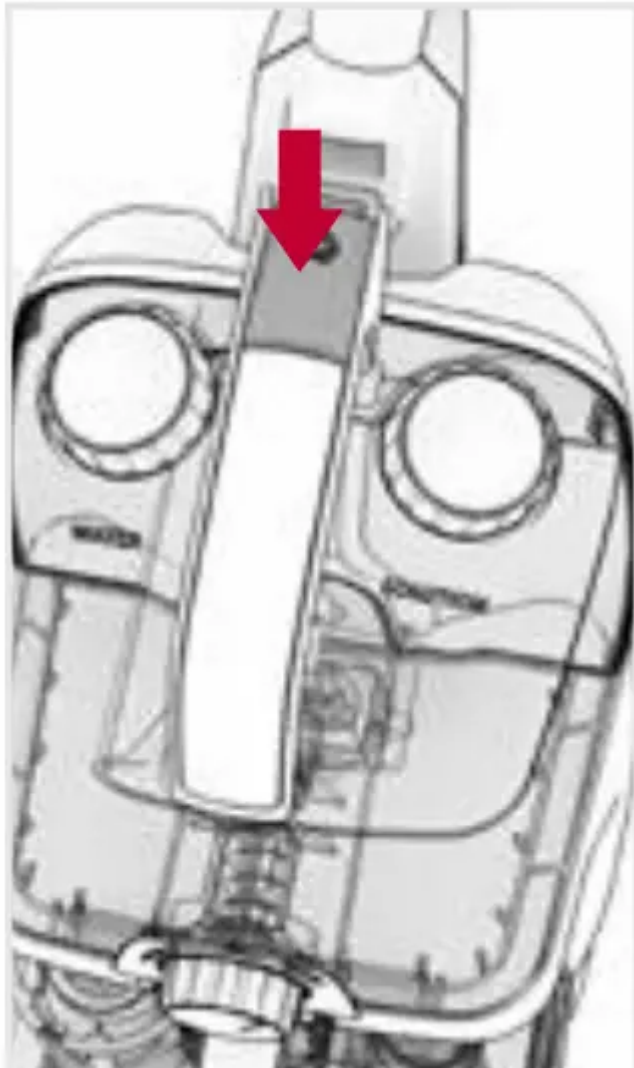
For best results, pretreat stains with a Hoover spot treatment (see Hoover Cleaning Solution Guide, pg. 23) to help loosen and remove even the most stubborn stains.

NOTE: To prevent staining, use plastic or aluminum foil to protect wood or metal surfaces from possible water spray.

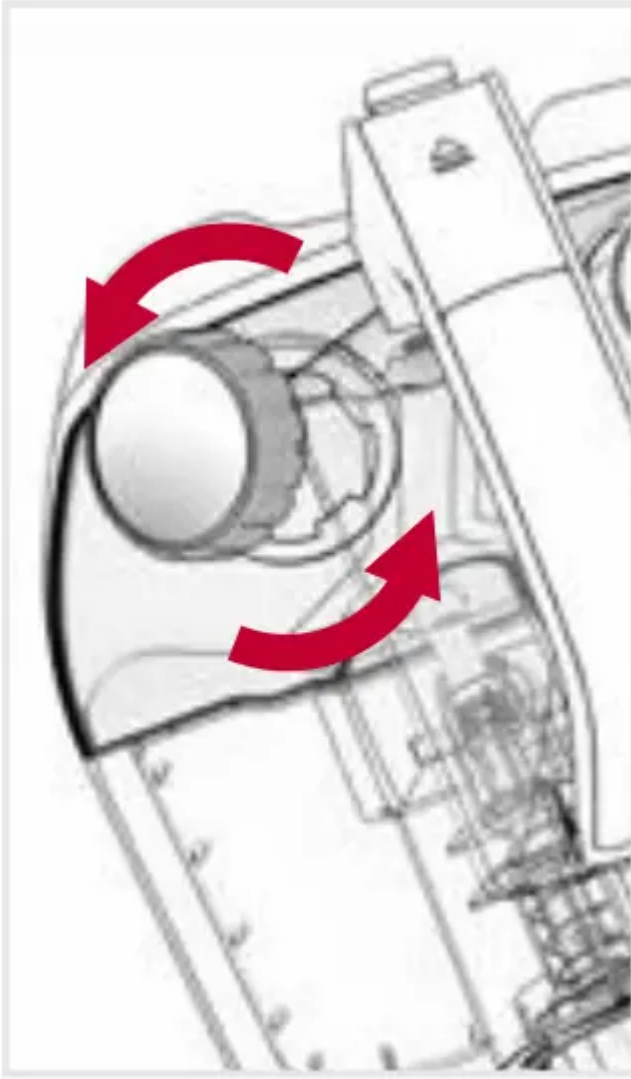
NOTE: To avoid damage to wood floors underneath area rugs or carpet, place waterproof material (ex: plastic) underneath them before cleaning.

Getting started with your Power Scrub Elite™

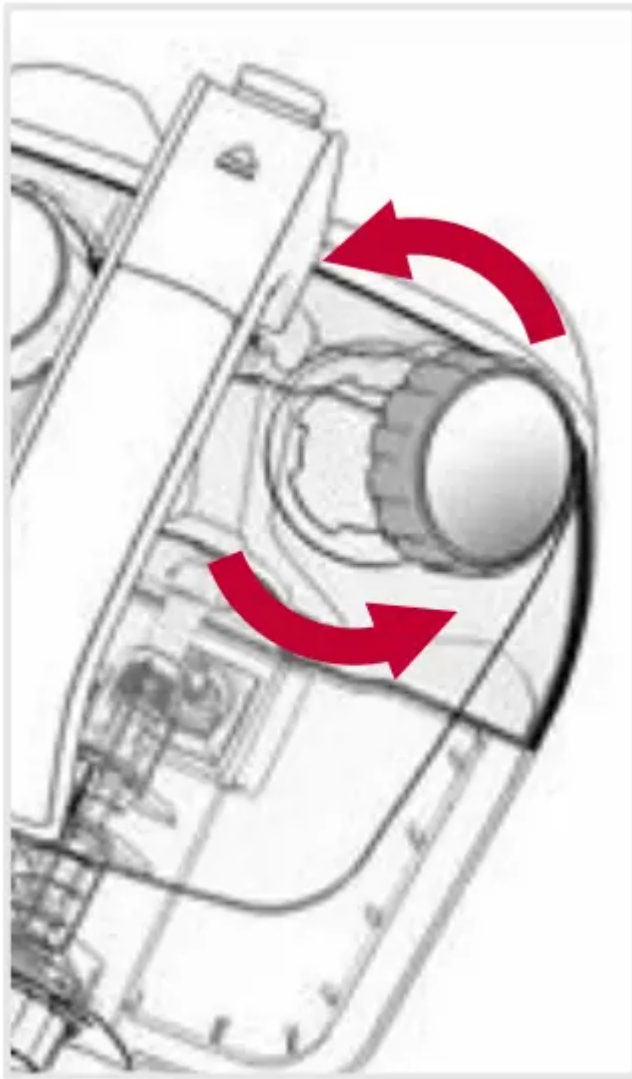
To fill the Clean Water/Solution Tank:



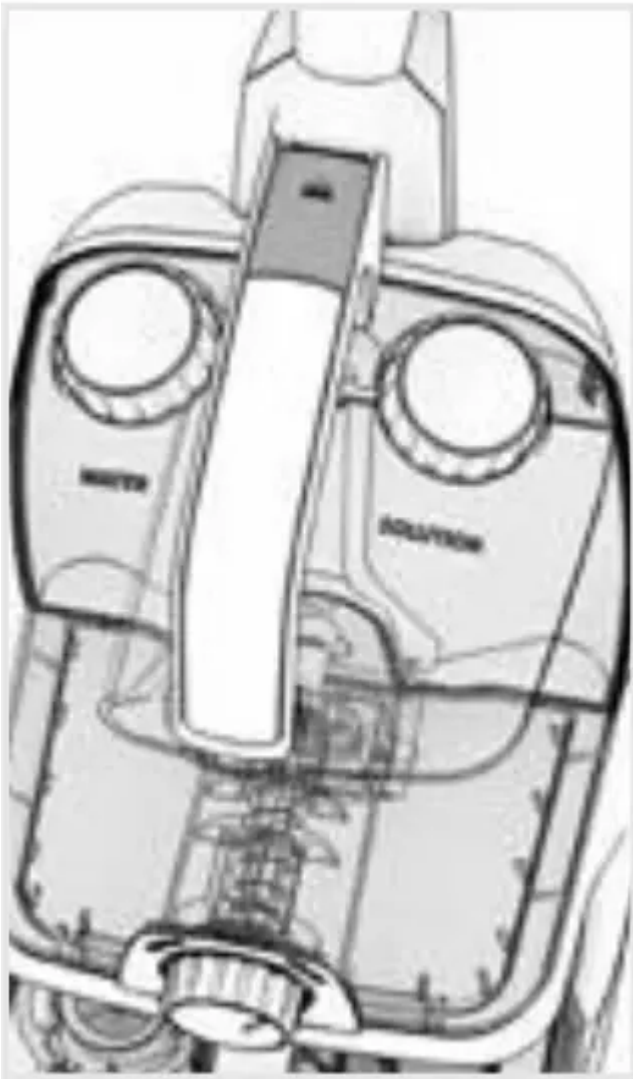
1. Press down on top latch of clean water tank and pull to remove.



2. Twist off the clean water cap on the top of the clean water tank. Add warm water to fill line and replace cap. – DO NOT BOIL OR MICROWAVE WATER (Do not fill with water above 140° F (60° C))

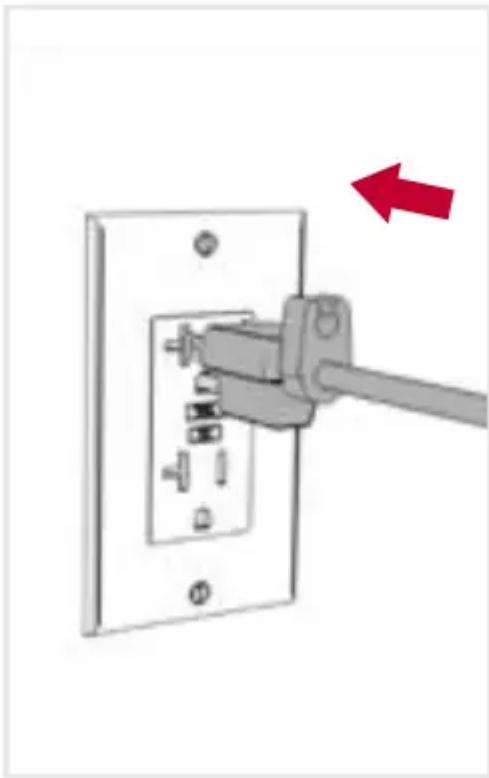


3. Twist off the solution cap on the top of the clean water tank and pour cleaning solution into tank. Replace cap.



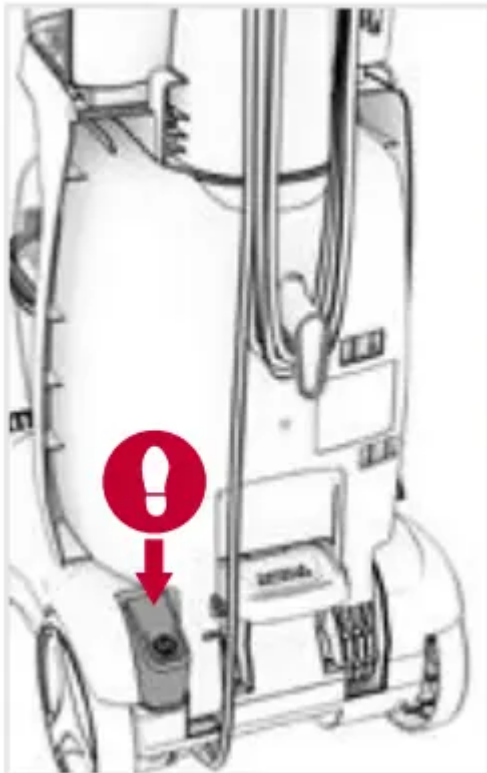
4. Angle the Solution/ Clean Water tank back on the base and click it into place.

Cord:



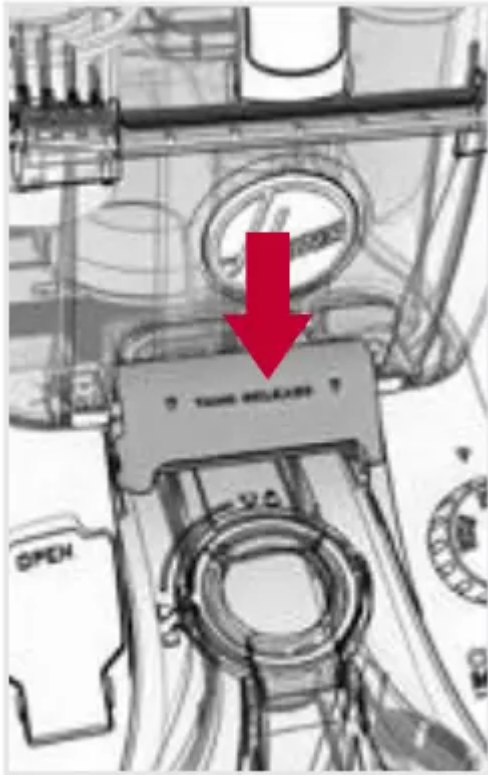
Unwrap the power cord and plug unit in an electrical outlet.

How to empty:



1. Turn the cleaner off and unplug from electrical outlet





2. Release Dirty Water Tank Latch.



3. Grab the Dirty Water Tank handle and remove from carpet cleaner base.





4. Place on a flat surface and unlatch Dirty Water Tank lid located below the Quick Spout Pour cap.



5. Empty tank, rinse and allow to air dry.

IMPORTANT Be sure to replace the Quick Spout Pour Cap to ensure proper suction.

IMPORTANT For full suction, it is important that the Dirty Water Tank is properly secured before cleaning.

IMPORTANT Regarding Dirty Water Tank Lid: For full suction it is important that the Dirty Water Tank Lid is securely in place. If misplaced, poor to no suction will result (see Figs. E,F, G). !!!!!!!

12

Continue using dry strokes until little water is visible passing through the nozzle.

For best results, Hoover recommends rinsing carpet with water only. This removes residual carpet cleaning solution. Fill Solution Tank with water and repeat. For heavily soiled areas, repeat. Avoid saturating carpet.

NOTE: Empty Dirty Water Tank when the motor sound becomes higher pitched and there is a loss in suction (see “Automatic shut-off”). You will also see the float rise and shut off suction at the same time.

NOTE: It is best to alternate wet and dry strokes as described above. See cleaning modes section to choose best cleaning mode for desired results.

CAUTION Do not clean over floor electrical outlets. Water will drip from the brushes and underside of the product after use and may puddle. To avoid damage to wood and laminate flooring and to avoid potential slip hazard, after use (a) do not leave the product on wood and laminate surfaces and move to a hard surface and (b) place unit on an absorbent material (such as a towel) to soak up drips.

Using your Power Scrub Elite™

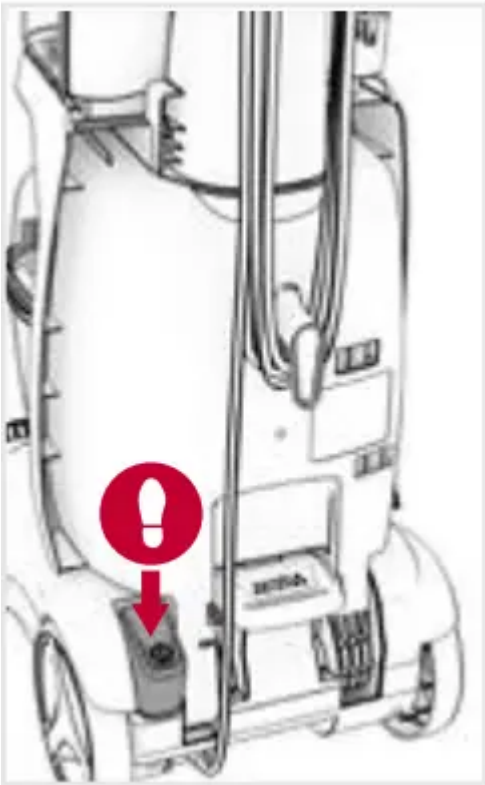
1. Choose cleaning mode by turning the dial on the base to “Quick Clean” or “Deep Clean” mode.



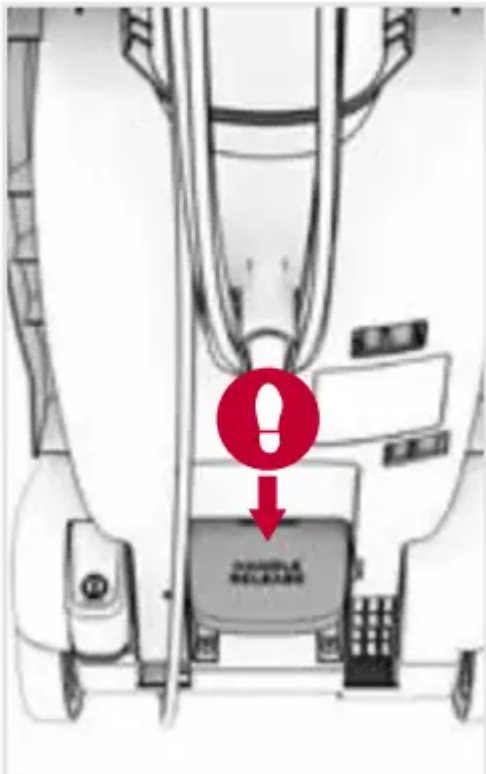
2. Ensure Wash/Rinse dial on the Clean Water Tank is turned to "Wash".



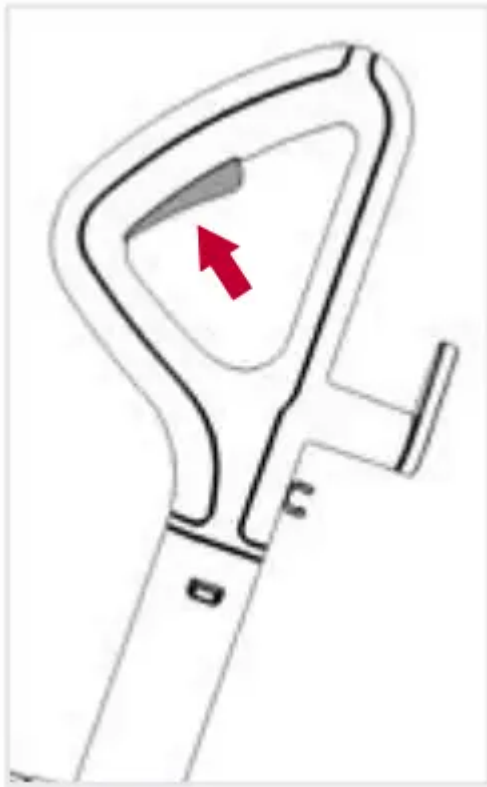
3. Plug into electrical outlet. Step on the Power Pedal to turn ON.



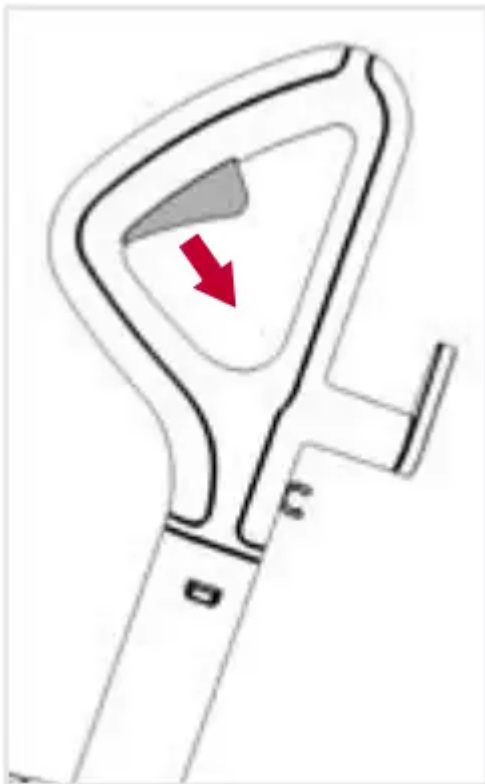
4. Step on the Handle Release Pedal to recline the unit for cleaning position.



5. Squeeze trigger to apply water and cleaning solution. Slowly push forward then backwards while squeezing the trigger.



6. Release the trigger and slowly push forward. Then slowly pull back toward you without squeezing the trigger. Continue pushing forward and back without squeezing the trigger until little water is visible passing through the nozzle.



7. For Best Results, Hoover recommends rinsing the carpet with clean water only. This will remove residual carpet cleaning solution from your carpets. To Rinse with clean water only, set the wash/ rinse dial to Rinse and then repeat steps 5 and 6.

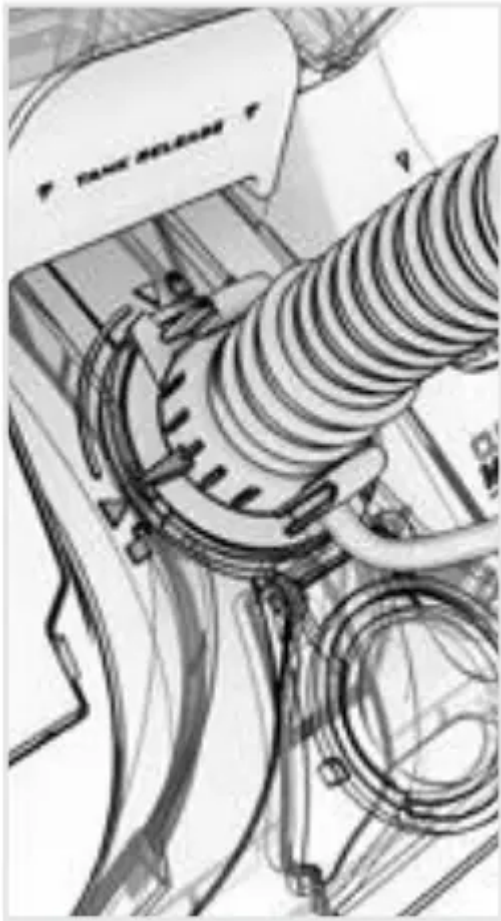


Tools and Accessories

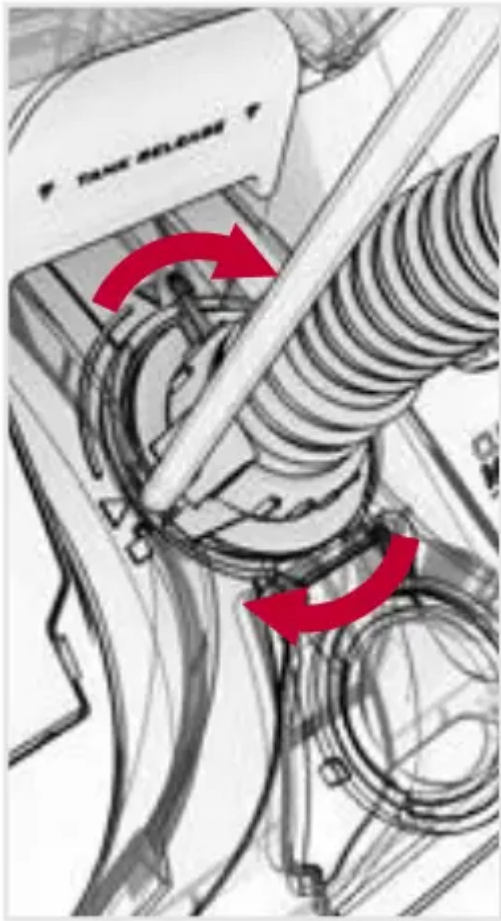
How to Attach Hose:

Read “Before You Begin Cleaning” instructions. Be sure to check Hoover Cleaning Guide on page 23 and the cleaning code on your upholstery. Use your cleaner only on upholstery marked “W” or “W/S”.

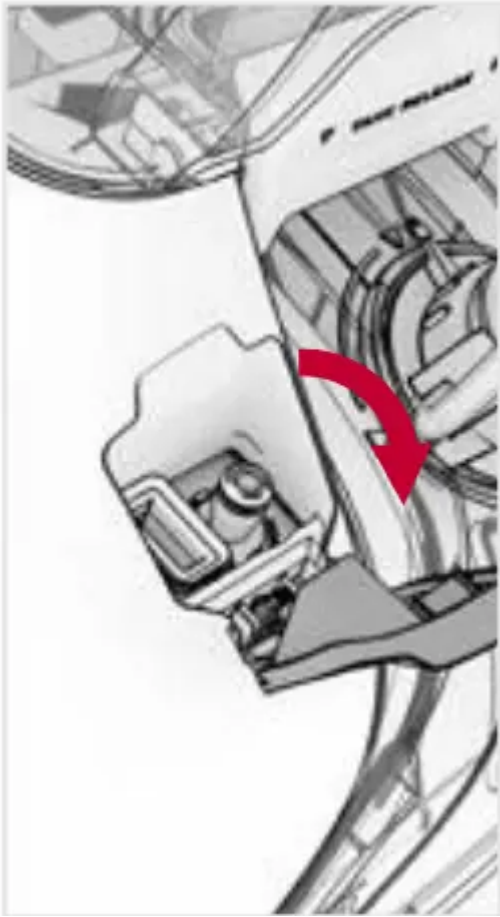
1. Attach hose to the unit by opening the Hose Connection Port on the nozzle. Insert hose end, aligning the indicator with the unlock arrows.



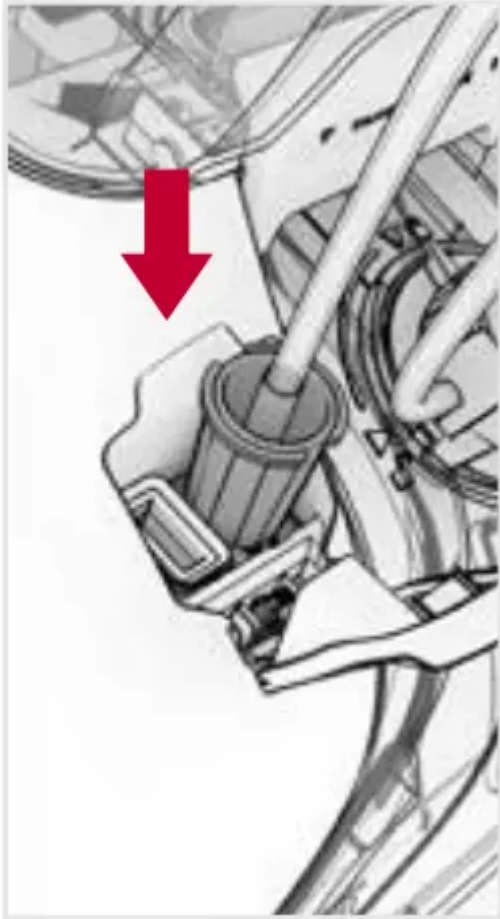
2. Rotate clockwise to lock position.



3. Hold open the Hose Solution Port door.

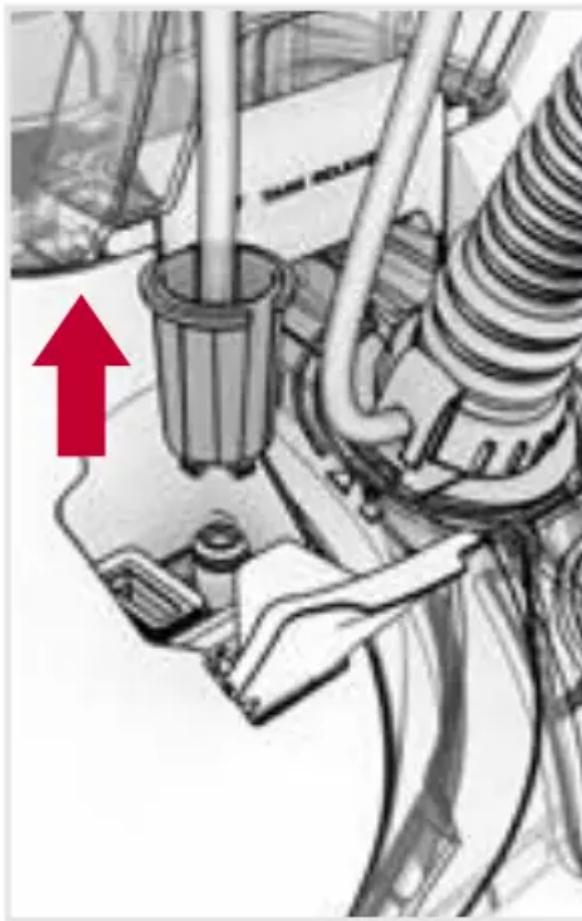


4. Plug the Hose Solution Tube connector firmly into the Hose Solution Port.

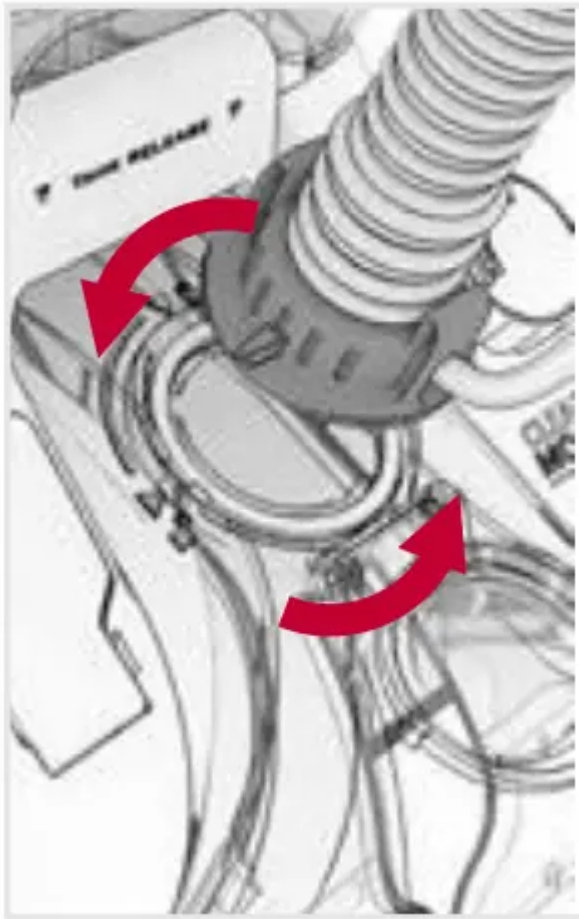


If additional cleaning is necessary, wait until the upholstery is completely dry before using the tool again. Empty Dirty Water Tank when the motor sound becomes higher pitched and there is a loss in suction (see "Automatic Shutoff"). When finished cleaning, follow "After Cleaning" and "After Using Tool" instructions on page 19.

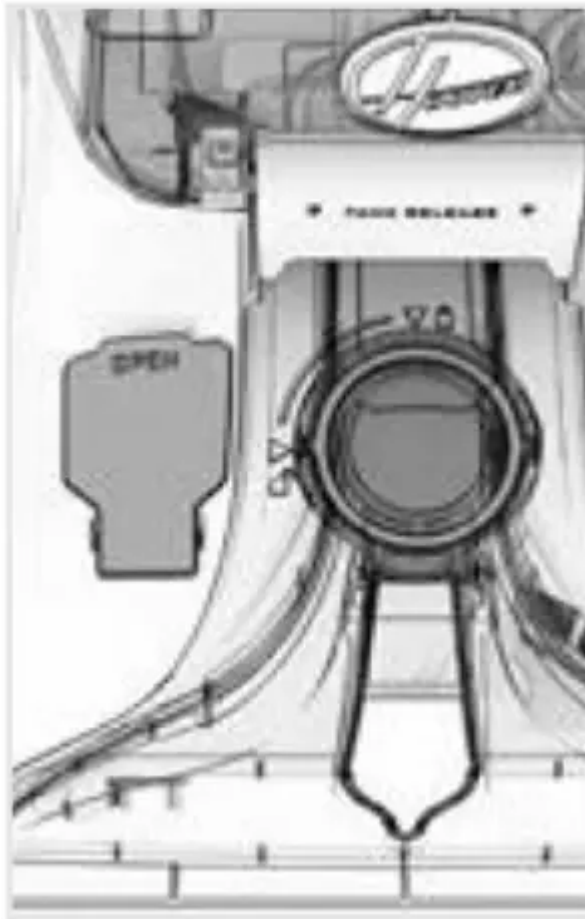
How to Remove Hose:



1. Disconnect Hose Solution Tube from Hose Solution Port by pulling up firmly. Do not pull on tube, this may cause damage. Port door will automatically close.

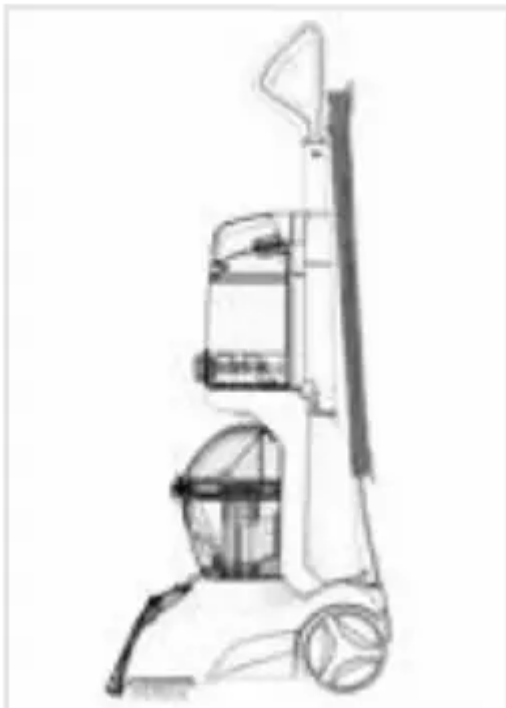


2. Rotate hose end counterclockwise from the locked position to the unlocked position and remove by pulling out.

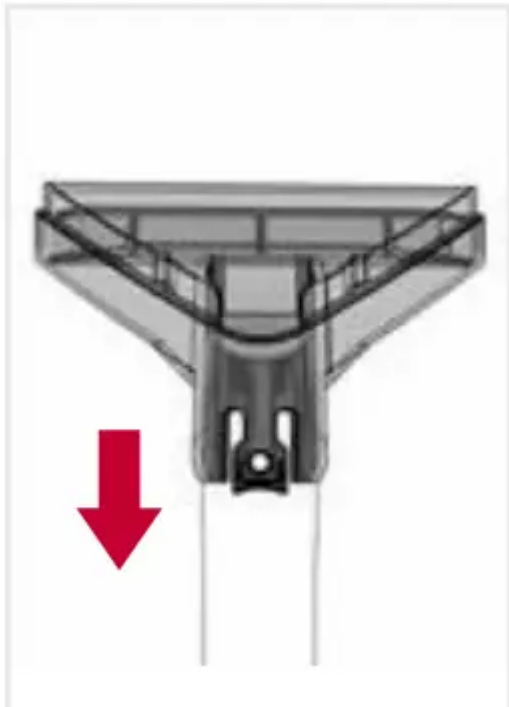


3. Snap the Hose Port Door on the Nozzle back into place. Make sure to snap it firmly back into place to ensure proper suction.

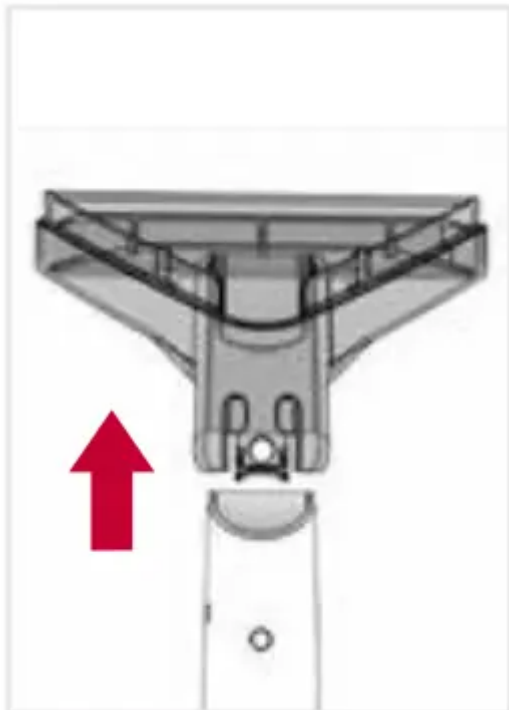
How to Attach Tools:



1. To ensure maximum performance and to protect your carpet, be sure to place the handle in the upright position while using the hose. Placing the handle in the upright position shuts off the SpinScrub® brushes.



2. Connect tool to hose by sliding it onto the connector until it securely locks into place.



3. Using your thumb, push forward and up on the latch to remove tool

NOTE: Do not place unit at top of stairway to avoid falling down stairs. Place unit at bottom of stairs and work up.

After Using Tools:



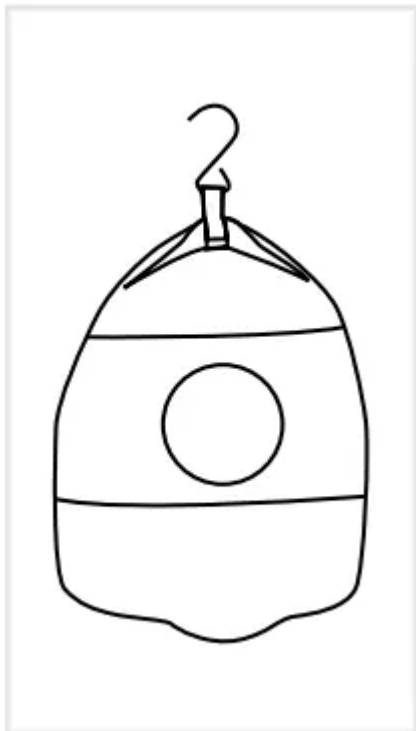
1. Drain hose by removing the solution tank and turning the cleaner ON. Aim hose in a downward angle and press trigger to remove excess water.



2. Turn OFF cleaner. Disconnect the hose and solution tube from cleaner.



3. Drain solution tube by placing the round end in the sink and placing the tool in sink. Press the trigger to release air and fluid.



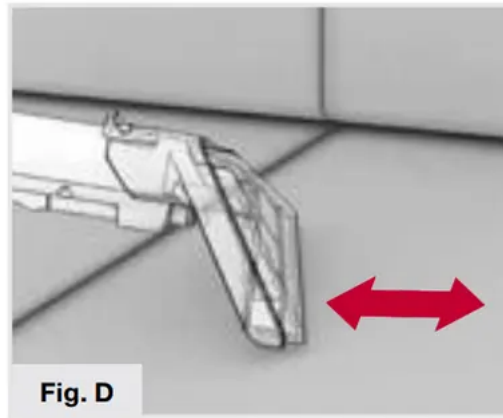
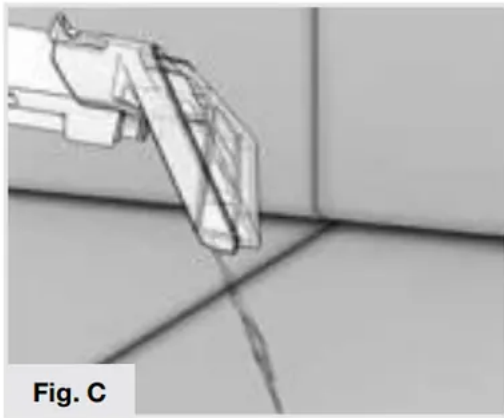
4. Replace hose and tools in the Mesh Tool Storage Bag.

CAUTION Always turn off appliance before connecting or disconnecting hose

Tools and Accessories

Cleaning Carpeted Stairs:

1. Read “Before You Begin Cleaning” instructions on page 8.
2. Attach hose and solution tube as instructed (page 15).
3. Place handle in upright position. SpinScrub® brushes will not rotate while handle is in upright position.
4. Fill Clean Water Tank according to instructions.
5. Fill Solution Tank with HOOVER solution according to instructions.
6. Attach tool to end of hose.
7. Dry hands and plug cleaner into a properly grounded outlet.
8. Set Wash/Rinse Selection to WASH. Turn cleaner ON.
9. Pre-spray the carpeted stair by holding the tool about one inch above the carpet and push it forward while pressing the trigger (Fig. C).
10. Position tool against the riser and slightly press it into carpet pile. Press the trigger and pull the tool slowly over the carpet. Release trigger at end of stroke.
11. Lift tool, and position it against riser. Pull tool slowly over carpet without pressing trigger (Fig. D).
12. Overlap strokes by 1/2 inch to help prevent streaking.
13. It is best to alternate wet and dry strokes as described in steps 9-12. End with more dry strokes to aid in faster drying of carpet.
14. To avoid saturating carpet, do not use more than 4 wet strokes over any one area. Always end with dry strokes.
15. If additional cleaning is necessary, wait until the carpet is completely dry before using the tool again.
16. Empty Dirty Water Tank when the motor sound becomes higher pitched and there is a loss in suction. You will also see the float rise and shut off suction at the same time.
17. When finished cleaning, follow “After Cleaning” and “After Using Tool” instructions.

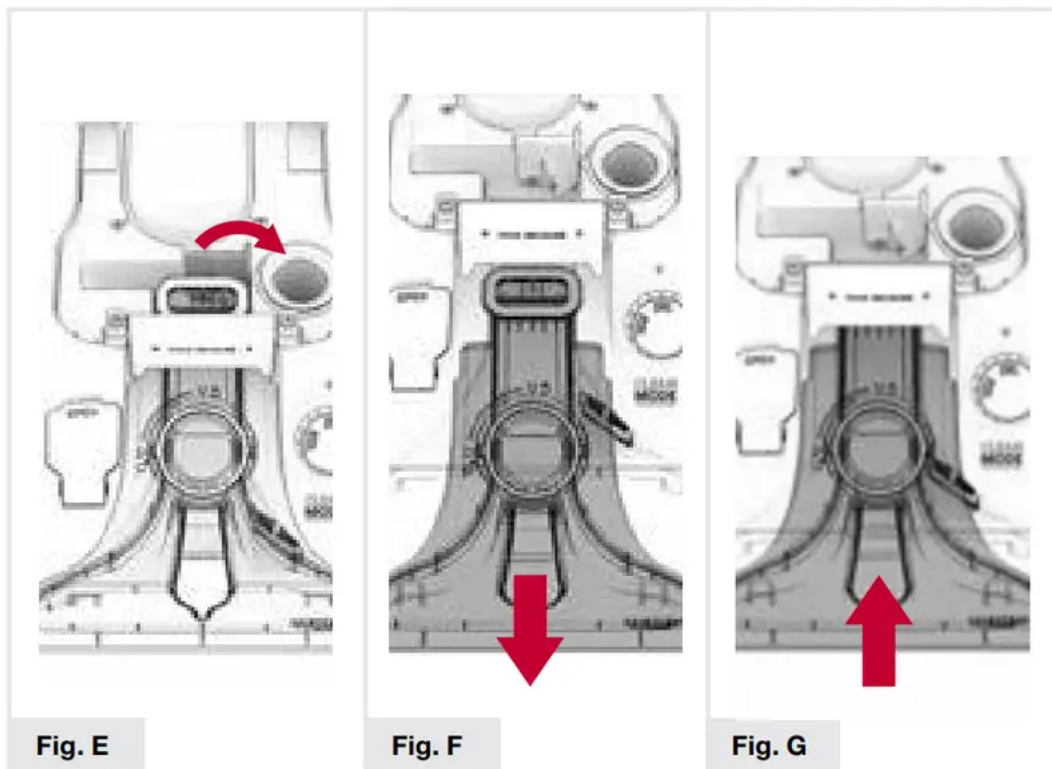


Maintenance

NOZZLE: HOW TO CLEAN AND STORE

1. To prevent possible leaking, remove and empty Clean Water Tank and Dirty Water Tank.
2. With handle in upright position, tilt carpet cleaner back so that handle rests on the floor.
3. Rotate Nozzle latch to unlock position (Fig. E).
4. Pull up on Nozzle slightly to unsnap Nozzle from foot of carpet cleaner.
5. Pull Nozzle forward to remove from carpet cleaner. Be sure the Nozzle does not get caught on Recovery Tank Latch (Fig. F).
6. Rinse debris from Nozzle.
7. Position Nozzle onto foot, making sure to align the tabs at the bottom of the Nozzle with the notches on the foot (Fig. G).
8. Snap Nozzle to foot.
9. Rotate Nozzle latch to lock position.

CAUTION To reduce the risk of injury from moving parts - Unplug before connecting SpinScrub® Hand Tool. Not to be used for grooming pets



BRUSHES: HOW TO CHANGE AND CLEAN

How to Remove

1. To prevent possible leaking, remove Clean Water Tank and Dirty Water Tank.
2. With handle in upright position, tilt cleaner back until handle rests on the floor.
3. Grab brush assembly and pull firmly (Fig. H).
4. The brushes can be cleaned under running water.

How to Replace

1. Align black posts on both ends of brush assembly with the slots on the bottom of the cleaner.
2. Make sure that the hexagonal post (A) also aligns with the hexagonal hole (B). Turn brushes slightly until post fits easily into hole.
3. Press brush assembly firmly to snap into place

Storage

Before storing: Empty Clean Water Tank and let air dry. Replace on cleaner. Empty Dirty Water Tank, rinse tank and lid thoroughly with clean water and let air dry.

Allow brushes and underside of carpet cleaner to air dry thoroughly before storing carpet cleaner on a carpeted or wood surface.

Lubrication

The motor is equipped with bearings that contain sufficient lubrication for the life of the motor.

The addition of lubricant could cause damage. Therefore, do not add lubricant to motor bearings.

Hoover Cleaning Solution Guide

Use only Hoover cleaning solutions to prevent potential harm to your carpet cleaner and keep your warranty

For best results, use your Carpet Cleaner + Spot Treatment + Solutions.

Hoover has a full line of Detergents and Spot Treatments to complement your Hoover carpet cleaner and the specific condition of your carpet. To prevent project interruption, keep Detergent on hand and store with your carpet cleaner. Spot Treatment may be used as a pretreatment immediately before you clean your carpets, or as an independent treatment between cleaning your carpets.

EXPERT CARPET SOLUTIONS: PROFESSIONAL GRADE



Expert Clean™ Carpet Washer Detergent

Powerful, professional strength cleaner lifts dirt and removes allergens for our deepest, extreme clean.



Expert Clean™ Spot Treatment Gel

Professional grade targeted gel removes tough stains like ground-in dirt, allergens, chocolate and wine.



Expert Pet™ Carpet Washer Detergent

Powerful, professional strength enzymes break down biological stains, dirt and odor for a truly deep clean.



Expert Pet™ Spot Treatment Spray

Professional grade targeted enzyme spray removes tough stains like dirt, oils, urine and residual odor.

PLUS CARPET SOLUTIONS



Clean Plus™ Carpet Washer Detergent

Powerful cleaner for everyday dirt and grime.



Clean Plus™ Spot Spray

Powerful spot spray for everyday dirt and grime.



Pet Plus™ Carpet Washer Detergent

Powerful cleaner enhanced with enzymes to tackle pet messes and eliminate odor.



Pet Plus™ Spot Spray

Powerful spot spray enhanced with enzymes to tackle pet messes and eliminate odor.



Pro Plus™ Carpet Washer Detergent

Professional strength carpet & upholstery solution removes stubborn stains and odors.



HARD FLOOR SOLUTIONS



Multi-Floor Plus™ Hard Floor Solution

Powerful hard floor cleaning solution removes everyday dirt and grime.



Tile & Grout Plus™ Hard Floor Solution

Powerful hard floor cleaning solution cleans and revitalizes tile and grout surfaces.



Steam Plus™ Hard Floor Solution

Powerful hard floor cleaning solution combines with steam to safely wash hard floors.

Troubleshooting



PROBLEM	POSSIBLE CAUSE	POSSIBLE SOLUTION
Cleaner won't run	<ol style="list-style-type: none"> 1. Not firmly plugged in 2. No voltage in wall plug 3. Blown fuse or tripped breaker 4. Fuse in cleaner blown 	<ol style="list-style-type: none"> 1. Plug unit in firmly 2. Check fuse or breaker in home 3. Replace fuse or reset breaker in home 4. Take to service center
Low suction	<ol style="list-style-type: none"> 1. Dirty Water Tank full/automatic shut off engaged 2. Blockage in tool on end of hose 3. Dirty Water Tank lid not on correctly 4. Dirty Water Tank Debris Filter Clogged 5. Blockage in nozzle 6. Recovery Tank not properly secured 	<ol style="list-style-type: none"> 1. Remove and empty Dirty Water Tank. See "How to Empty" page 10 2. Remove tool and clear blockage 3. Make sure lid is on securely See "How to Use: page 13 & 14 4. See "How to Clean" page 21 5. See "How to Clean" page 22 6. Replace Recovery Tank and secure recovery tank latch.
Hose nozzle stops spraying liquid during use	<ol style="list-style-type: none"> 1. Clean Water Tank or Degergent Container is empty 2. Loose connection to solution port on foot of cleaner 	<ol style="list-style-type: none"> 1. Turn off cleaner and fill Clean Water Tank and Detergent Container 2. Check for secure connection to solution port on foot of cleaner
Hose nozzle will not spray after filling the Clean Water Tank or Detergent Container	<ol style="list-style-type: none"> 1. Air is trapped in the pump and hose 2. Hold trigger to floor and squeeze trigger 	<ol style="list-style-type: none"> 1. Turn on the cleaner. If hose does not spray, prime the pump by lowering the hose down to the floor and hold the trigger for up to 1 minute



		2. Aim downward and squeeze trigger
Hose will not spray after priming pump	1. Pump is defective 2. Not connected properly	1. Call for service: 1-800-944-9200 2. Check connection
Clean water won't dispense	1. Clean Water Tank not firmly in place 2. Clean Water Tank or solution container empty	1. Make sure tank is securely locked in position 2. Refill container according to cleaning instructions
Solution won't dispense	1. Mode knob is in "Rinse Mode"	1. Turn knob to "Wash"
Brushes won't rotate during floor cleaning	1. Please check the screen on the front of the unit behind the nozzle, the filter may be dirty	1. Shut off unit and clean filter in upright position. SpinScrub® will not rotate in upright position

Warning

This content is compiled from multiple sources and is provided for reference purposes only. It may not be complete or fully applicable to all situations. If you are unable to resolve your issue, please contact the product manufacturer or an authorized service provider for official support.