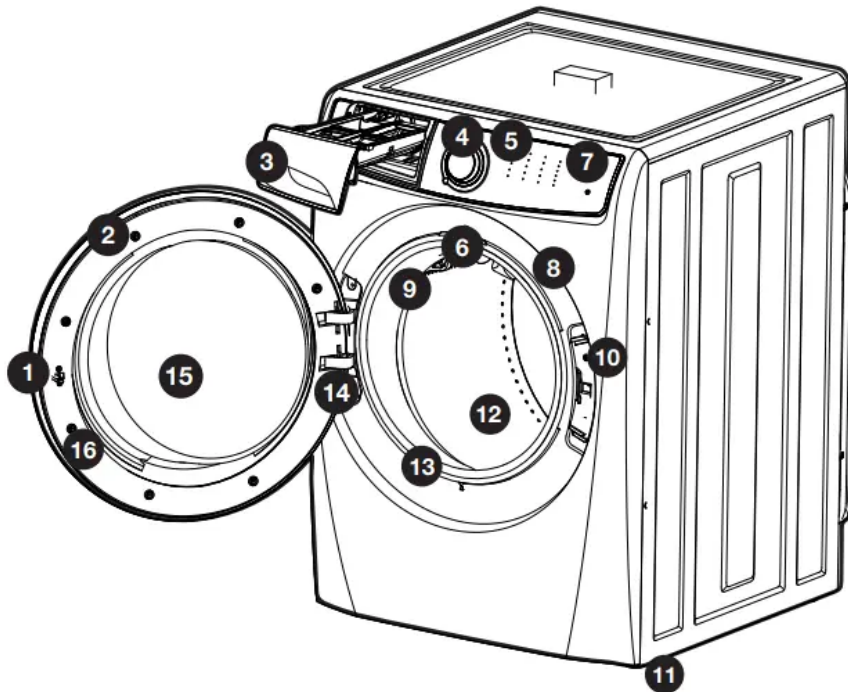


## FEATURES



Not all cycles, options, or features listed are available on every model.

1. Door striker
-----------------

## ACCESSORIES AND REPLACEMENT PARTS

### Accessories

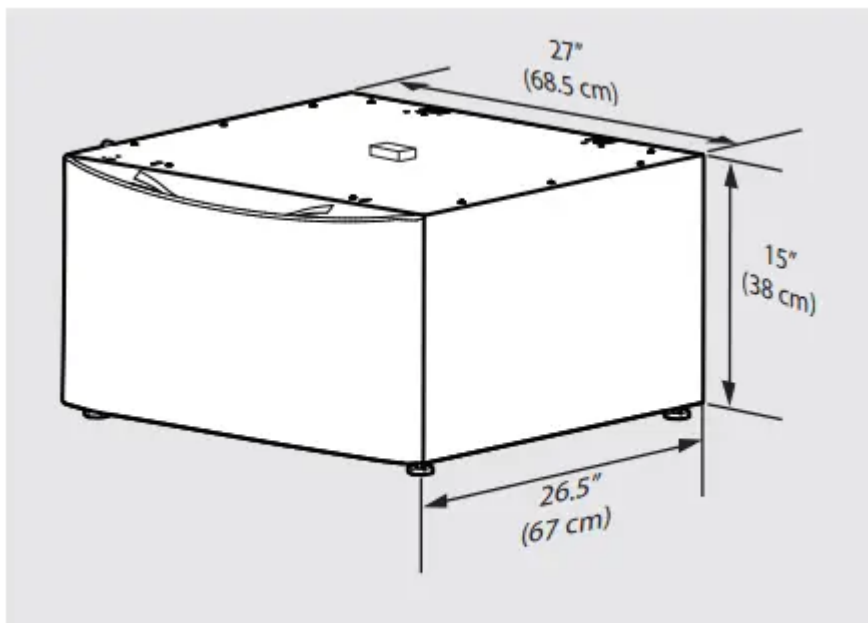
#### MATCHING STORAGE PEDESTAL\*

White Pedestal - P/N EPWD257UIW

Titanium Pedestal - P/N EPWD257UTT

A storage pedestal accessory, specifically designed for this washer may be used to elevate the washer for ease of use. This pedestal will add about 15" (38 cm) to the height of your unit

\*Other colors may be available. Contact the source where you purchased your washer.



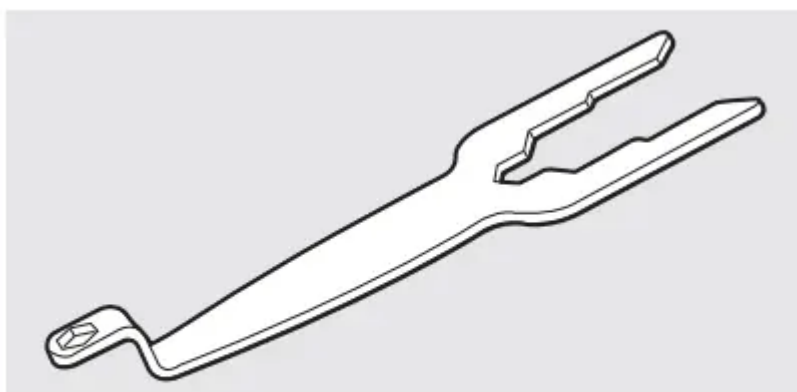
## Storage Pedestal

### DRYER STACKING KIT P/N STACKIT7X

Depending on the model purchased, a kit for stacking a matching dryer on top of this washer may have been included in the initial purchase of your dryer. If your model did not include a stacking kit or you desire another stacking kit, you may order one.

### INLET HOSE KITS

Please call 866-233-8353 (in Canada, 800-265-8352) to explore hose kit options that will meet your specific installation needs.



## Universal Appliance Wrench

### DRAIN HOSE EXTENSION KIT P/N 137098000

In order to reach standpipe heights or distances beyond the reach of the drain hose supplied, order the Drain Hose Extension Kit

**UNIVERSAL APPLIANCE WRENCH P/N 137019200**

A Universal Appliance Wrench is available to aid in dryer/washer/pedestal feet adjustment

**TOUCH UP PAINT PENS\***

White - P/N 5304468812

Titanium - P/N 5304475700

\*Other colors may be available. Contact the source where you purchased your washer.

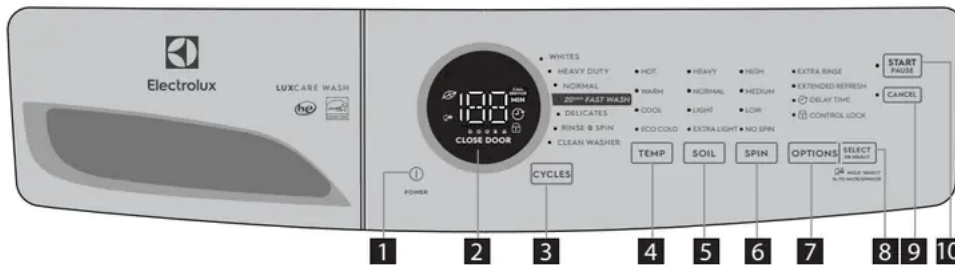
**Replacement parts in U.S. and Canada:**

If replacements parts are needed for your dryer, you can contact the source where you purchased your dryer, call 1-877-4ELECTROLUX (1-877-435-3287) in the U.S. or 1-800-265-8352 in Canada, or visit our website, in Canada for the Electrolux Authorized Parts Distributor nearest you.

**CONTROLS AND SETTINGS**

**Model series**

**300 SERIES**



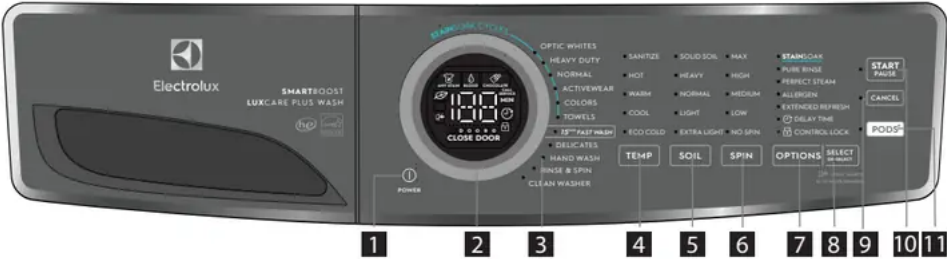
**400 SERIES**



**500 SERIES**



**600 SERIES**



- 1 power
- 4 temperature
- 7 options
- 10 start
- 2 cycle selector
- 5 soil level
- 8 set/select
- 11 PODS® (select models)
- 3 LED display
- 6 spin speed
- 9 cancel

This manual covers many models and not all cycles, options, or features listed are available on every model. Consoles shown above for reference only Your model may differ.

**Settings chart - 300 series washer**



These temperature, spin speeds, soil levels and options are available with the following cycles:

CYCLE SELECTIONS						
WHITES	HEAVY DUTY	NORMAL	20 MIN FAST WASH	DELICATES	RINSE & SPIN	CLEAN WASHER



CYCLE SETTINGS		TEMP							NO OPTIONS AVAILABLE WITH THIS CYCLE. DO NOT LOAD ANY ITEMS IN DRUM DURING SYSTEM CLEAN CYCLE.	
TEMP		HOT	✓	✓	✓					
		WARM	✓	✓	✓	✓	✓			
		COOL	✓	✓	✓	✓	✓			
		ECO COLD	✓	✓	✓		✓	✓		
SOIL		HEAVY	✓	✓	✓					
		NORMAL	✓	✓	✓		✓			
		LIGHT			✓	✓	✓			
		EXTRA LIGHT			✓	✓	✓			
SPIN		HIGH	✓	✓	✓	■		✓		
		MEDIUM	✓	✓	✓		✓	✓		
		LOW	✓		✓		✓	✓		
		NO SPIN	✓		✓		✓	✓		
CYCLE OPTIONS		EXTRA RINSE	✓	✓	✓		✓	✓		
		EXTENDED REFRESH	✓	✓	✓		✓			
		DELAY START	✓	✓	✓	✓	✓	✓		
		CONTROL LOCK	✓	✓	✓	✓	✓	✓	✓	
		MUTE/UNMUTE	✓	✓	✓	✓	✓	✓	✓	

✓ = Available selections. ◻ = Factory presets. ■ = Non-modifiable presets.

### Settings chart - 400 series washer



These temperature, spin speeds, soil levels and options are available with the following cycles:

CYCLE SELECTIONS						
WHITEST WHITES	HEAVY DUTY	NORMAL	18 MIN FAST WASH	DELICATES	RINSE & SPIN	CLEAN WASHER



		TEMP						NO OPTIONS AVAILABLE WITH THIS CYCLE. DO NOT LOAD ANY ITEMS IN DRUM DURING SYSTEM CLEAN CYCLE.
CYCLE SETTINGS	SANITIZE	✓	✓	✓				
	HOT	✓	✓					
	WARM	✓	✓	✓	✓	✓		
	COOL	✓	✓	✓	✓	✓		
	ECO COLD	✓	✓	✓		✓	✓	
SOIL	SOLID SOIL	✓	✓	✓				
	HEAVY	✓	✓	✓				
	NORMAL	✓	✓	✓		✓		
	LIGHT			✓	✓	✓		
	EXTRA LIGHT			✓	✓	✓		
SPIN	MAX	✓	✓	✓	■		✓	
	HIGH	✓	✓	✓			✓	
	MEDIUM	✓	✓	✓		✓	✓	
	LOW	✓		✓		✓	✓	
	NO SPIN	✓		✓		✓	✓	
CYCLE OPTIONS	OPTIONS							
	STAIN TREAT	✓	✓	✓				
	PERFECT STEAM	✓	✓	✓				
	EXTRA RINSE	✓	✓	✓		✓	✓	
	EXTENDED REFRESH	✓	✓	✓		✓		
	DELAY START	✓	✓	✓	✓	✓	✓	
	CONTROL LOCK	✓	✓	✓	✓	✓	✓	
	MUTE/UNMUTE	✓	✓	✓	✓	✓	✓	
PODS®	✓	✓	✓	✓	✓	✓		

✓ = Available selections. ◻ = Factory presets. ■ = Non-modifiable presets.

PODS® is a registered trademark of Procter & Gamble Company, Cincinnati OH, used under license by Electrolux.

### Settings chart - 500 series washer



These temperature, spin speeds, soil levels and options are available with the following cycles:

CYCLE SELECTIONS									
WHITEST WHITES	HEAVY DUTY	NORMAL	ACTIVE WEAR	COLORS	TOWELS	15 MIN FAST WASH	DELICATES	RINSE & SPIN	CLEAN WASHER



TEMP											
CYCLE SETTINGS	SANITIZE	✓	✓	✓			✓				
	HOT	✓	✓	✓			✓				
	WARM	✓	✓	✓	✓	✓	✓	✓	✓	✓	
	COOL	✓	✓	✓	✓	✓	✓	✓	✓	✓	
	ECO COLD	✓	✓	✓	✓	✓	✓	✓	✓	✓	✓
	<b>SOIL</b>										
	SOLID SOIL	✓	✓	✓	✓	✓	✓				
	HEAVY	✓	✓	✓	✓	✓	✓				
	NORMAL	✓	✓	✓	✓	✓	✓				
	LIGHT	✓	✓	✓	✓	✓	✓			✓	
EXTRA LIGHT			✓	✓	✓		✓	✓			
<b>SPIN</b>											
MAX	✓	✓	✓	✓	✓	✓	✓	✓		✓	
HIGH	✓	✓	✓	✓	✓	✓				✓	
MEDIUM	✓	✓	✓	✓	✓	✓			✓	✓	
LOW	✓		✓	✓	✓	✓			✓	✓	
NO SPIN	✓		✓	✓	✓				✓	✓	
<b>OPTIONS</b>											
STAIN TREAT II	✓	✓	✓	✓	✓	✓					
PURE RINSE	✓	✓	✓	✓	✓	✓			✓	✓	
PERFECT STEAM	✓	✓	✓	✓	✓	✓	✓				
ALLERGEN	✓	✓				✓					
EXTENDED REFRESH	✓	✓	✓	✓	✓	✓					
DELAY TIME	✓	✓	✓	✓	✓	✓	✓	✓	✓	✓	
CONTROL LOCK	✓	✓	✓	✓	✓	✓	✓	✓	✓	✓	
MUTE/UNMUTE	✓	✓	✓	✓	✓	✓	✓	✓	✓	✓	
PODS®	✓	✓	✓	✓	✓	✓	✓	✓	✓	✓	

✓ = Available selections.    ◻ = Factory presets.    ◼ = Non-modifiable presets.

NO OPTIONS AVAILABLE WITH THIS CYCLE.  
 DO NOT LOAD ANY ITEMS IN DRUM DURING SYSTEM CLEAN CYCLE.

PODS® is a registered trademark of Procter & Gamble Company, Cincinnati OH, used under license by Electrolux.

### Settings chart - 600 series washer



These temperature, spin speeds, soil levels and options are available with the following cycles:

CYCLE SELECTIONS										
OPTIC WHITES	HEAVY DUTY	NORMAL	ACTIVEWEAR	COLORS	TOWELS	15 MIN FAST WASH	DELICATES	HAND WASH	RINSE & SPIN	CLEAN WASHER



CYCLE SETTINGS		TEMP										NO OPTIONS AVAILABLE WITH THIS CYCLE. DO NOT LOAD ANY ITEMS IN DRUM DURING SYSTEM CLEAN CYCLE.				
SANITIZE		✓	✓	✓			✓									
HOT		✓	✓	✓			✓									
WARM		✓	✓	✓	✓	✓	✓	✓	✓	✓	✓		✓	✓	✓	✓
COOL		✓	✓	✓	✓	✓	✓	✓	✓	✓	✓		✓	✓	✓	✓
ECO COLD		✓	✓	✓	✓	✓	✓	✓	✓	✓	✓		✓	✓	✓	✓
SOIL																
SOLID SOIL		✓	✓	✓	✓	✓	✓									
HEAVY		✓	✓	✓	✓	✓	✓									
NORMAL		✓	✓	✓	✓	✓	✓									
LIGHT		✓	✓	✓	✓	✓	✓						✓	✓	✓	✓
EXTRA LIGHT				✓	✓	✓					✓		✓	✓		
SPIN																
MAX		✓	✓	✓	✓	✓	✓	✓			✓					✓
HIGH		✓	✓	✓	✓	✓	✓									✓
MEDIUM		✓	✓	✓	✓	✓	✓					✓	✓	✓	✓	
LOW		✓		✓	✓	✓	✓					✓	✓	✓	✓	
NO SPIN		✓		✓	✓	✓						✓	✓	✓	✓	
CYCLE OPTIONS																
STAINSOAK		✓	✓	✓	✓	✓	✓									
PURE RINSE		✓	✓	✓	✓	✓	✓					✓			✓	
PERFECT STEAM		✓	✓	✓	✓	✓	✓	✓								
ALLERGEN		✓	✓				✓									
EXTENDED REFRESH		✓	✓	✓	✓	✓	✓									
DELAY TIME		✓	✓	✓	✓	✓	✓	✓	✓	✓	✓	✓	✓	✓	✓	
CONTROL LOCK		✓	✓	✓	✓	✓	✓	✓	✓	✓	✓	✓	✓	✓	✓	
MUTE/UNMUTE		✓	✓	✓	✓	✓	✓	✓	✓	✓	✓	✓	✓	✓	✓	
PODS®		✓	✓	✓	✓	✓	✓	✓	✓	✓	✓	✓	✓	✓	✓	

✓ = Available selections. ◻ = Factory presets. ◼ = Non-modifiable presets.

PODS® is a registered trademark of Procter & Gamble Company, Cincinnati OH, used under license by Electrolux.

## Cycle selection

Press the power button to turn on the unit. Then, turn the cycle selector in either direction or press the cycles button (dependent on model) to scroll to the desired cycle. The indicator light for that cycle will be illuminated.

The estimated cycle time will appear on the LED display and indicator lights adjacent to the default settings (water temperature, final spin speed, and soil level) will illuminate for the cycle selected. See Washer Settings Chart for default settings for each cycle.

Cycle settings and cycle options can be changed using the temp, spin and soil buttons. See Cycle Settings and Cycle Options for detailed directions and descriptions of available settings.

To change the cycle once the cycle has begun, press cancel, select a new cycle, and press start again.

To stop the cycle, press cancel.

**NOTE:** Using PODS® setting may increase fast wash time by several minutes. note

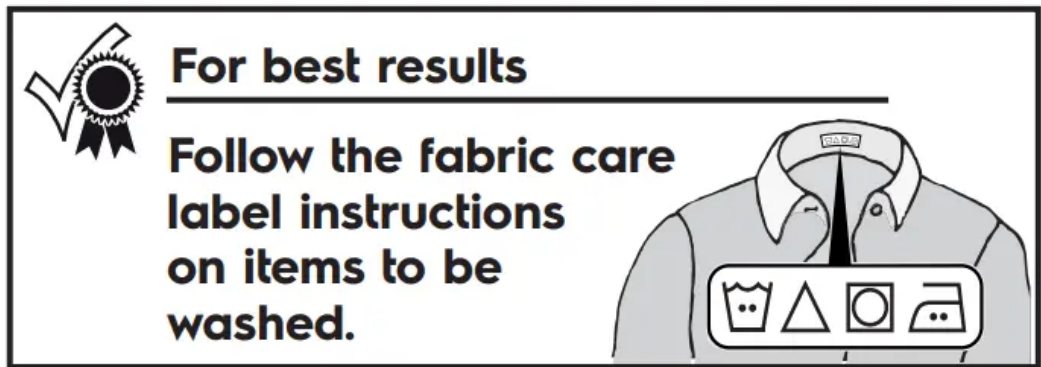
### NOTE

For spin only cycle deselect extra rinse. For drain only cycle select no spin.

See Cycle Options for rinse options and Cycle Settings for spin settings.

**NOTE** Turning the cycle selector knob without canceling the cycle first, will not change the cycle.

**For best results**



**Cycles**



**hot**

Use this setting for heavily soiled white or colorfast cottons and blends.

**warm**

Use this setting for normally soiled white or colorfast cottons or blends.

**cool**

Some warm water will automatically blend with cold tap supply to achieve a precise cold. Use this setting for lightly soiled non-colorfast items, knits, delicates, and hand washables.

**eco cold (on select models)**

Wash and rinse temperatures are equivalent to temperature of cold tap supply. Use this selection for fabrics and colors that are prone to dye transfer. For use with cold water <®> detergents.

**Soil level**

Adjust the wash time based on the soil level of each load. **Solid soil** (on select models), **heavy**, **normal**, **light** and **extra light** (on some models) soil levels are available.

**Spin speed**

**Max** (on select models), **high**, **medium** and **low** (on some models) spin speeds are available for each cycle. The spin speed and/or duration of final spin vary from model to model and cycle to cycle.



Increasing the spin speed will extract more water, decrease drying time and conserve energy. Decreasing the spin speed will reduce wrinkling.

Select **low** spin speed (on some models) to gently spin items that should be line dried.

Use **no spin** to omit the final spin at the end of the cycle. The load will be very wet. Remove items from the wash drum to drip dry or select a spin only cycle to remove excess water at a more convenient time.

### Cycle options

The default options for each cycle will automatically be chosen when a cycle is selected. To protect fabrics, not all options are available for all cycles. If an option is not available for a cycle, the indicator will not light.

### Selecting options

Press the **option** button to scroll through the options until the indicator light for the desired option flashes, then press **select**. The indicator light will illuminate when the option has been selected. Follow the same steps to deselect an option. The indicator light will turn off when the option is deselected.



All settings or options selected for the cycle, except **sanitize** (on select models), **perfect steam™** (on select models), and stain treatment options, will be remembered and recalled each time that cycle is selected in the future. To return to factory settings, press and hold **soil** and **options** buttons at the same time and hold for **3** seconds until the confirmation signal sounds. To prevent unintentional and accidental exposure of delicate material to excess heat or unexpected steam, the **sanitize**, **perfect steam™** and all stain treatment options will need to be reselected each time.

### Stain treatment options (on select models)

Your washer is equipped with powerful stain treatment tools. Depending on your model, use one of the options below to deal with tough stains on your garments. See step 5 in the *Operating Your Washer* section in this manual for details on adding stain additives to the dispenser.

#### StainTreat (400 series washer)

Select this option to add a short initial wash period to available cycles using the stain treatment additives in the **stain soak/treat** compartment. After the stain wash phase, the load will automatically advance to the main wash cycle.

#### StainTreatII (500 series washer)

Select this option when available and rotate the cycle selector to rotate through the stain types below. Stain treatment and main detergent will recirculate in the agitating load for approximately 20 minutes and then the washer will advance to the main wash cycle.

- **Any Stain** 

Recirculating wash solution will be heated by boost heater.


- **Blood** 

Recirculating wash solution will NOT be heated by boost heater to prevent setting blood stains.

- **Chocolate** 

Stain wash time is extended with additional heating by boost heater. **StainSoak (600 series washer)**

Similar to **StainTreatII** above with the added feature of detergent/treatment mixing with **SmartBoost** pump technology before the **Stain** washing phase.

 **perfect steam™ (on select models)** Select this option to add approximately 20 minutes of tumbling in steam.

#### **IMPORTANT**

- If steam is selected, rinse temperatures will be elevated.
- If the wash cycle is paused or cancelled during a steam cycle, the door will remain locked until it cools. You may manually perform a rinse & spin cycle to cool the internal temperature sooner.
- During a steam cycle, steam exiting from the rear vent of the washer is normal and not cause for alarm.

### **Wash cycle options**

#### **extra rinse (on select models)**

Use this option when additional rinsing is desired to remove excess dirt and detergent. It is recommended for heavily soiled loads or if household members have sensitive skin.

#### **pure rinse (on select models)**

Use this option to reduce detergent residues and fragrances that can irritate skin which rinses cleaner than the extra rinse cycle.

#### **wrinkle release (on select models)**

After the final spin, the washer will perform a "dry" agitation to loosen the garments from the side of the drum.

#### **extended refresh (on select models)**

Select **extended refresh** if you will be unable to remove the load right after the cycle is complete. The washer recognizes the load has sat too long and will do a rinse and spin to keep the load fresh for up to 12 hours. When you are ready to remove the load during the **extended refresh** segment, you must press **cancel** to end the cycle and open the door.

### PODS\* (on select models)


Select this option when using a detergent pack in a model equipped with a **PODS\*** button (on select dispenser only). This option will divert the flow of water to the detergent pack compartment optimizing the detergent pack performance.

## Control options

### control lock

To lock the controls between cycles, scroll to the control lock option and press **select**. The control lock icon will show on the LED display. To unlock the controls scroll to the control lock option again and press **select**. Use this feature to reduce the likelihood of accidental operation by children.

### Washer cycles will not run when control lock is activated. delay time

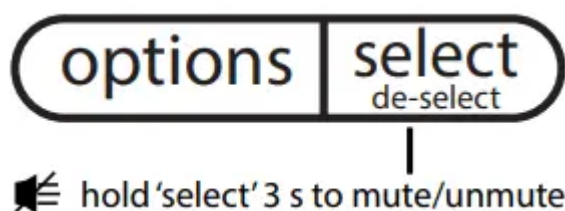
Use **delay time**  to delay the start of the washing cycle from 30 minutes to 12 hours.

To turn on the delay time option, press **options** to scroll to the **delay time** icon and press **select**. Use the **cycles** button (300/400 models) or turn the cycle selector (500/600 models) to select the desired delay time and press **start**. The **delay time** icon will illuminate on the LED display to indicate the **delay time** option is activated. The time will begin counting down on the LED display once the washer **start/pause** button has been pressed.

### Chime

A signal will sound at the end of each cycle (and periodically during **extended refresh**) if option is activated.

To mute or unmute the chime, press and **hold** the **select** button for **3** sec.



## Other features

### LED display



*Icons may vary according to model.*

The estimated total cycle time will be displayed when the cycle is selected. The time may increase if water pressure is low, oversudsing occurs or the load becomes unbalanced. The approximate time remaining will be displayed during the cycle. **The eco, control lock, close door, mute (some models),** and delay time will also appear on this LED display.

### Eco indicator

The **eco** symbol will light up on the LED display to indicate that the selected combination of temperature, spin speed and options are eco friendly.

### Oversuds protection

A situation where oversudsing has been detected by the washer will result in the washer requiring additional rinses until the suds have been cleared. Each extra rinse the washer performs to clear the suds will add approximately 5 minutes to the cycle duration. The LED will display "SU" followed by "dS" and then the remaining cycle time (0 min) for 60 seconds and then repeat Press **cancel** to turn off the alert message. The washer will continue to perform rinse cycles until suds are removed.

### Reversed Hose Detection

If condition is detected where the inlet hoses have been installed incorrectly (hot supply to cold inlet and cold supply to hot inlet), the washer will alert you. The LED will display "HO" followed by "SE" and then the remaining cycle time (0 min) for 60 seconds and then repeat. Acknowledge the reversed hose condition by pressing the cancel button. Shut off each water supply valve and attach each supply hose to the correct inlet connection on the washer.



### Drum light (on select models)

The drum light will come on whenever the door is opened to illuminate the drum during loading and unloading. Closing the door turns off the light. The drum light will automatically turn off if the door is left open more than 3 minutes.

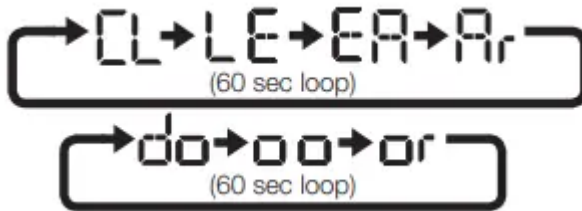
### Reversible door (on select models)

Your washer may be equipped with a reversible door. The door can be hinged on the right or left side.



### Trapped item detection

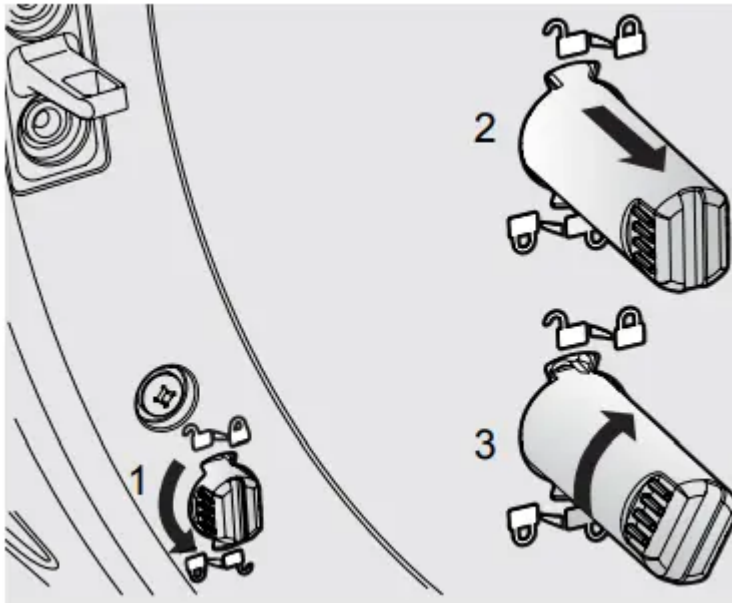
If an item is detected to be trapped between the door and the door gasket, the washer will pause the cycle and play an alert chime. The LED will display a loop of "CLEAR door" as shown below until the cancel button is pressed. Press the cancel button to unlock the door and remove the trapped item, then close the door and restart the cycle.



### Door stand ventilation

Help prevent odor buildup and reduce humidity between washes by utilizing your washer's door stand ventilation feature. Open the door, locate the stand below the door latch and rotate the stand counterclockwise to unlock it.

The stand is spring loaded and will extend. Rotate it clockwise to lock in the extended position.



To disengage the stand, rotate to unlock, push the stand in and rotate to lock position.

**NOTE**

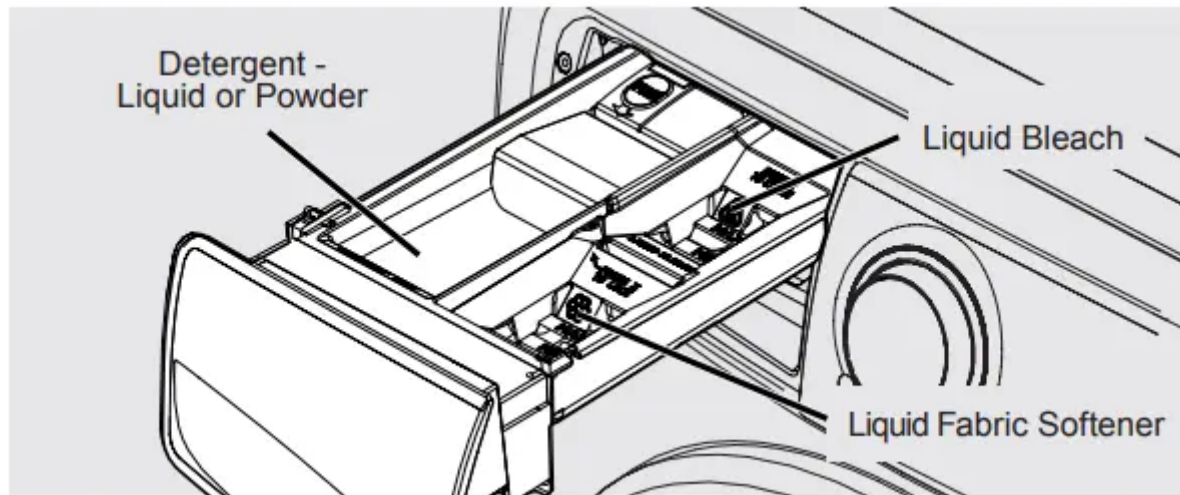
If door stand will not turn to locked position, fully turn it to unlock position and try to lock again.

## OPERATING INSTRUCTIONS

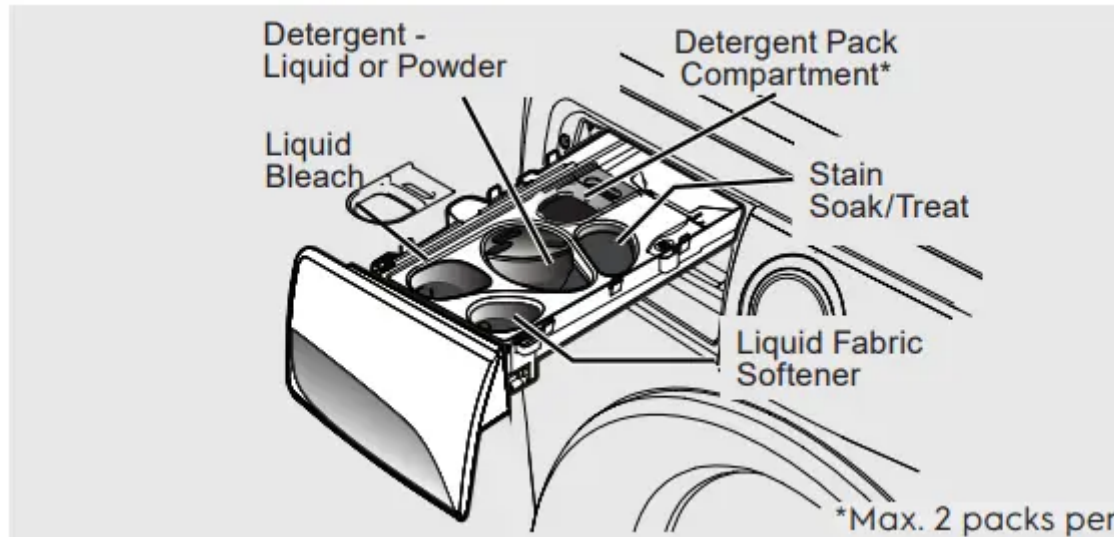
### Operating the washer

STEPS	
-------	--

## STEPS



### Product dispenser - Adaptive Dispenser™ (400, 500, and 600 Series)

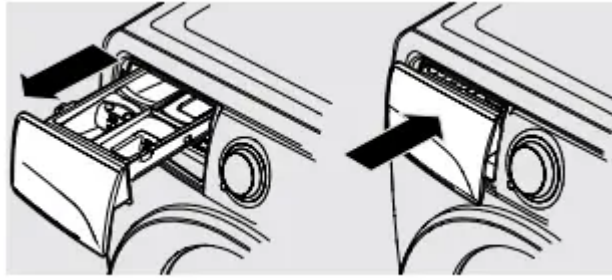


Detergent, stain treatment (on select models), liquid chlorine bleach and liquid fabric softener will be dispensed at the proper times in the cycle.


Use the cap or scoop provided by the detergent manufacturer to measure the amount recommended. The amount may need to be adjusted for water temperature, water hardness, load size and soil level.

### Important

Open and close the dispenser drawer slowly. Closing the drawer too quickly could result in early detergent or fabric softener.



### **For best results**

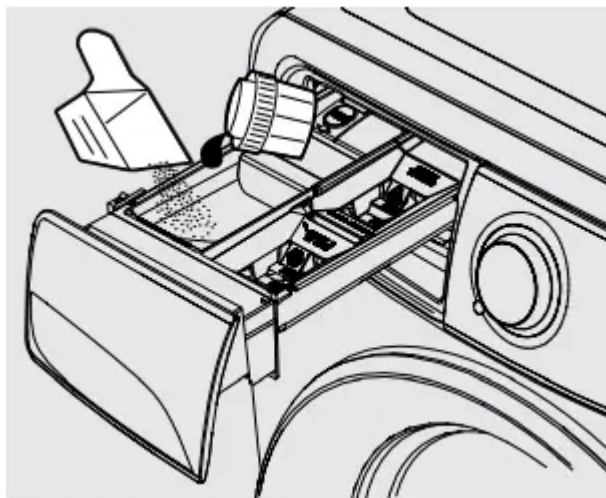
Use a low-sudsing, high efficiency detergent to prevent oversudsing in front load washers. Look for the HE logo on the detergent label: 

### **Adding laundry detergent to the three compartment dispenser**

#### **Liquid or powder detergent**

- Use the cap or scoop provided by the detergent to add recommended amount of detergent to the dispenser.
- Amount of detergent may need to be adjusted for water temperature, water hardness, and load size. Follow manufacturer's instruction.

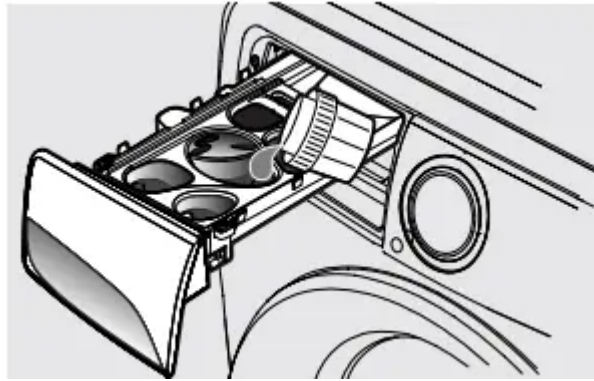
In a three compartment dispenser use either liquid or powder detergent DO NOT mix both.



### **Adding laundry detergent to the adaptive dispenser™**

#### **Liquid detergent**

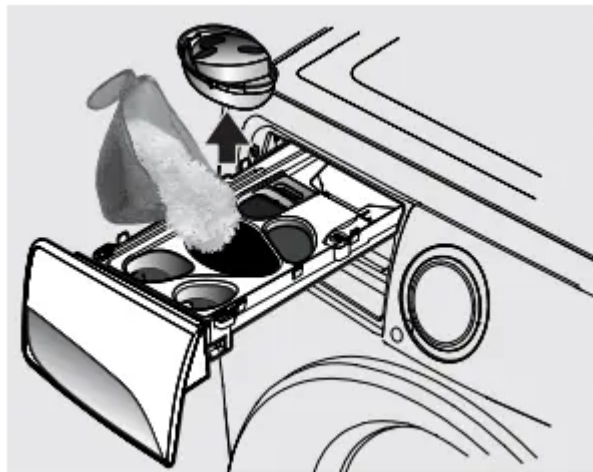
- Use the cap or scoop provided by the detergent to add recommended amount of detergent to the detergent compartment. Pour directly into the detergent cup, not over the blue cover.
- Amount of detergent may need to be adjusted for water temperature, water hardness, and load size. Follow manufacturers instructions.



**IMPORTANT:** Pour liquid into the liquid detergent cup. DO NOT pour over the blue cover. DO NOT

#### **Powder detergent**

- Remove the liquid detergent cup and blue cover before adding powder detergent.
- Add powder detergent directly to the powder detergent compartment.



#### **Detergent pack**

##### **For 300 series models**

Add detergent pack directly to the empty drum **BEFORE** placing laundry into the unit

- DO NOT place detergent packs directly into the detergent drawer. The gel coating may cause the drawer to become clogged.

##### **For 400, 500 and 600 series models**

Add the recommended quantity of high efficiency detergent packs to the detergent pack compartment

- DO NOT place more than two packs into the dispenser.
- When using the fast wash cycle, only one detergent pack should be used.

#### **IMPORTANT**



- When using the detergent pack compartment, make sure to select the PODS® option before starting the cycle.
- Once the PODS® option has been chosen, the washer will retain the PODS® setting until the next cycle.
- The washer will ALWAYS use a small amount of HOT water to dissolve the pack when the PODS® option has been selected.

### Adding other wash products


- Color-safe bleach, water conditioner, detergent booster and enzyme products may be added to the Main Wash - liquid detergent compartment or powder detergent compartment.
- Put liquid products in the Main Wash - liquid detergent compartment or powder products in the powder detergent compartment.

### Stain treatment (on select models)


- For heavily soiled or stained loads, select the Stain option (on select models only- Stain Soak) and add the recommended amount of detergent or stain treatment to stain soaker (on select models).
- See Cycle Options for information about Stain options for your model.
- See Stain Removal Guide in this instruction for additional suggestions. important

Use of multi-product (detergent plus softener) sheets or color-absorbing sheets NOT recommended for your machine and result in unwarranted repair costs.

### Liquid chlorine bleach

- If desired, add liquid chlorine bleach to the compartment labeled Liquid Bleach and marked with .
- DO NOT fill above the MAX fill line.
- Add color-safe bleach with detergent

### Liquid fabric softener

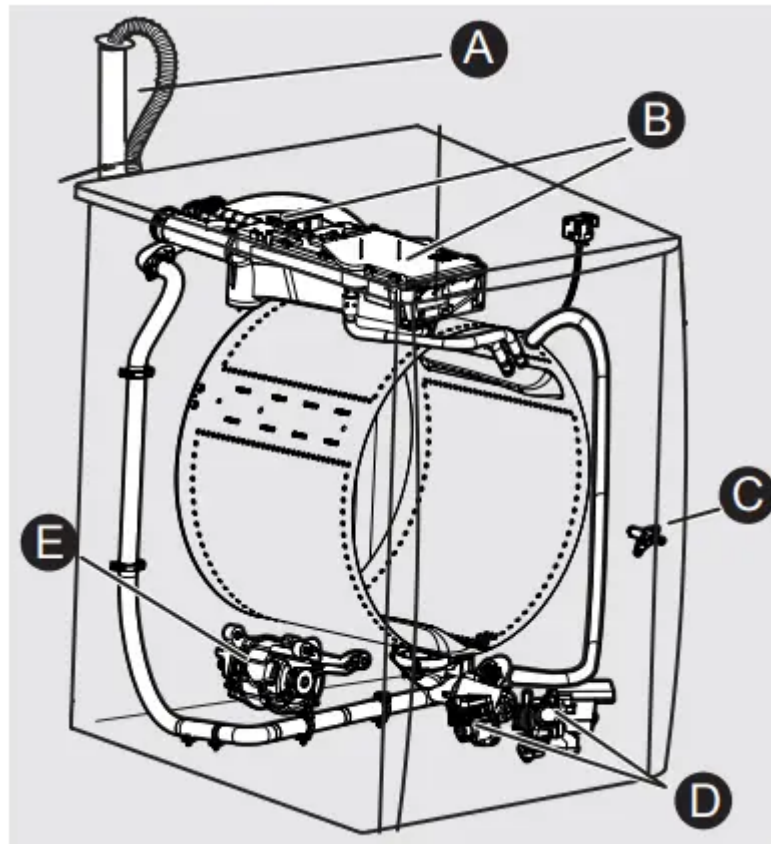
- If desired, pour the recommended amount of liquid fabric softener into the compartment labeled Softener and marked with this symbol: .
- DO NOT fill above the MAX fill line.
- Use of a fabric softener-dispensing ball is not recommended in front load washers.

### Normal operating sounds

You may or may not hear the following sounds from your new washer:



## NORMAL OPERATING SOUNDS



**A. DRAIN HOSE** The washer has a flexible drain hose to carry water from the washer to the stand pipe. You will hear water flowing into your stand pipe. This is a normal part of the operation of the washer.

**B. WATER VALVES/DISPENSER** As water enters the dispenser system, it is common to hear a gurgling sound. This normal sound will vary slightly based on the water pressure in your home.

**C. DOOR LOCK** Your washer is equipped with a door lock with an electric solenoid. There will be a clicking sound when the washer door is being locked or unlocked.

**D. DRAIN/RECIRCULATION PUMPS** Your washer is equipped with multiple high velocity systems. You will hear humming and gurgling sounds as water is either pumped from the washer during the drain phase or recirculated during the prewash and wash phases. Both of these sounds are normal and indicate the pumps are functioning correctly.

**E. HIGH SPEED MOTOR** A powerful motor is used to drive the drum to high spin speeds to extract water from the load.

You will hear a sound associated with these higher spin speeds. This sound is normal and will vary with load size and cycle selected.

## CARE AND CLEANING

**inside routine cleaning (preventative)**

To help prevent odors or humidity accumulation leave the door open with the door stand ventilation (some models) for a few hours after use or whenever the washer is not in use.

## CAUTION

### ENTRAPMENT and TIP-OVER HAZARD

DO NOT leave the door open if there are small children or pets present. An open door could trap a child or pet on the door or crawl inside the washer. If there are no small children present, you may leave the door open to prevent odor build up.

### To refresh or clean inside of washer

To clean and freshen the washer, perform the **clean washer** cycle. For best results perform the cycle once a month.

**NOTE** Every 50 cycles, your washer will remind you to perform the clean washer cycle by illuminating the clean cycle indicator.

To begin the cycle, select the **clean washer** cycle. If installed, remove the **LIQUID DETERGENT** compartment cover and **REMOVE ALL ITEMS FROM WASH DRUM**

before filling the detergent compartment with one (1) cup of liquid chlorine bleach OR one (1) pour of Machine Cleaner. **DO NOT** use both. Press **start/ pause** to begin.

## WARNING

### HARMFUL VAPOR HAZARD

DO NOT use or mix liquid chlorine bleach with other household chemicals such as toilet cleaner, drain cleaner, or acid or products containing ammonia. These mixtures can produce dangerous fumes which can cause injury or death.



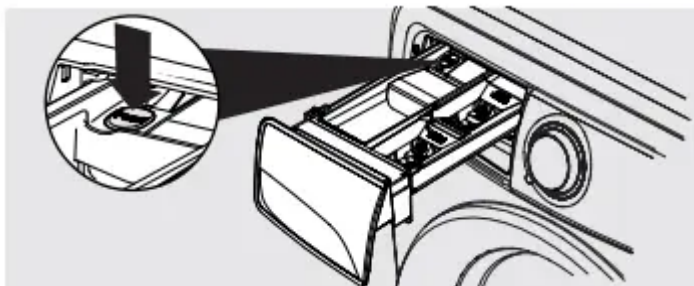
### To Clean the dispenser drawer

**NOTE** Detergent and fabric softener may build up in the dispenser drawer. Residue should be removed every 1-2 months.

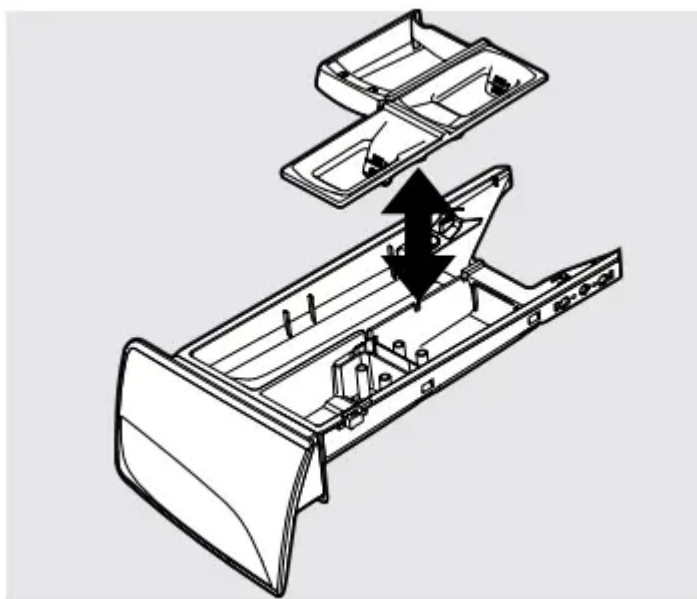
### Cleaning the three compartment dispenser

1. Remove the drawer by pulling the drawer out until it stops.

2. Reach back into the left rear corner of the drawer cavity and press down firmly on the  
drawer.



3. Remove all inserts from the drawers.



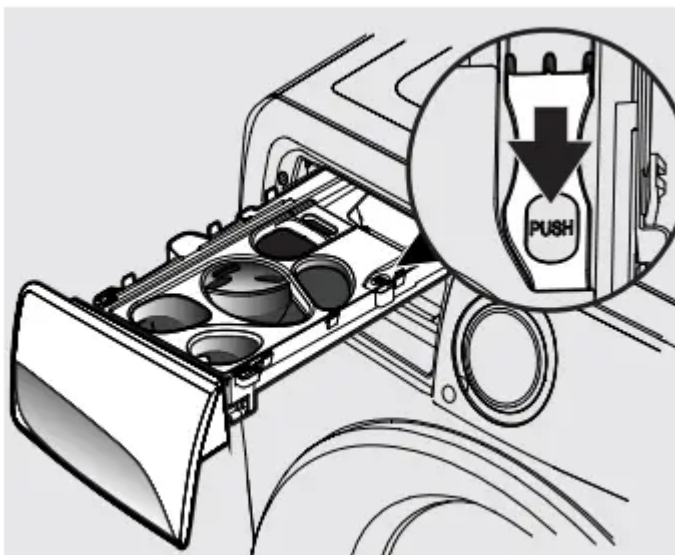
4. Rinse the drawer and inserts with hot tap water to remove traces of accumulated powder.  
amounts of fabric softener residue may indicate improper dilution or more frequent clean
5. To clean the drawer opening, use a small brush to clean the recess. Remove all residue  
lower parts of the recess.



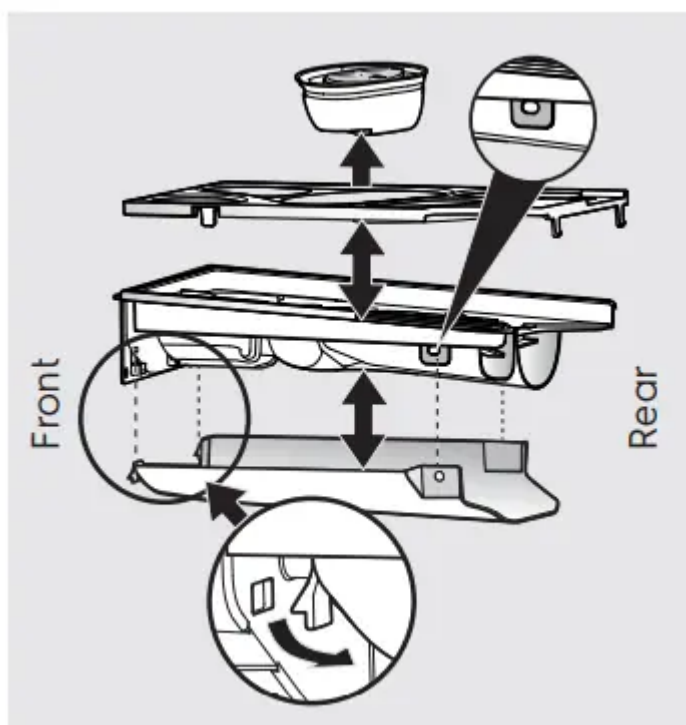
6. Replace the insert by pressing it in place until you hear a slight click.
7. Return the dispenser drawer to the unit.

## Cleaning the Adaptive Dispenser™

1. Remove the drawer by pulling the dispenser out until it stops.
2. Reach back into the right rear corner of the dispenser cavity and press down firmly on the dispenser drawer.



3. Remove the detergent cup and top cover from the dispenser drawer.
4. Remove the bottom cover from the dispenser drawer.
  1. First, pull the two lock tabs at the rear of the dispenser drawer to unlatch the bottom cover.
  2. Then, gently pull back the two clips on the front of the bottom cover to fully release the bottom cover from the dispenser drawer.



5. Rinse the dispenser drawer, covers, and detergent cup with hot tap water to remove trace amounts of powders and liquids. Large amounts of fabric softener residue may indicate improper detergent use and more cleaning is required.
6. To clean the dispenser drawer opening, use a small brush to clean the recess. Remove the upper and lower parts of the recess.
7. Reassemble dispenser drawer and check to ensure that all pieces are securely in place.
8. Return the dispenser drawer to the unit.

### **Inside cleaning (aggressive)**

In cases where clean washer cycle along with care and cleaning of rubber gasket folds isn't done and residue buildup have developed, follow the below cleaning procedure to help alleviate the problem.

#### **Cleaning procedure-washer drum**

Ensure the wash tub is empty. Open the detergent drawer and pour eight cups of bleach into the bleach compartment. Select clean washer cycle as described previously in Inside Routine Cleaning (Previous page).

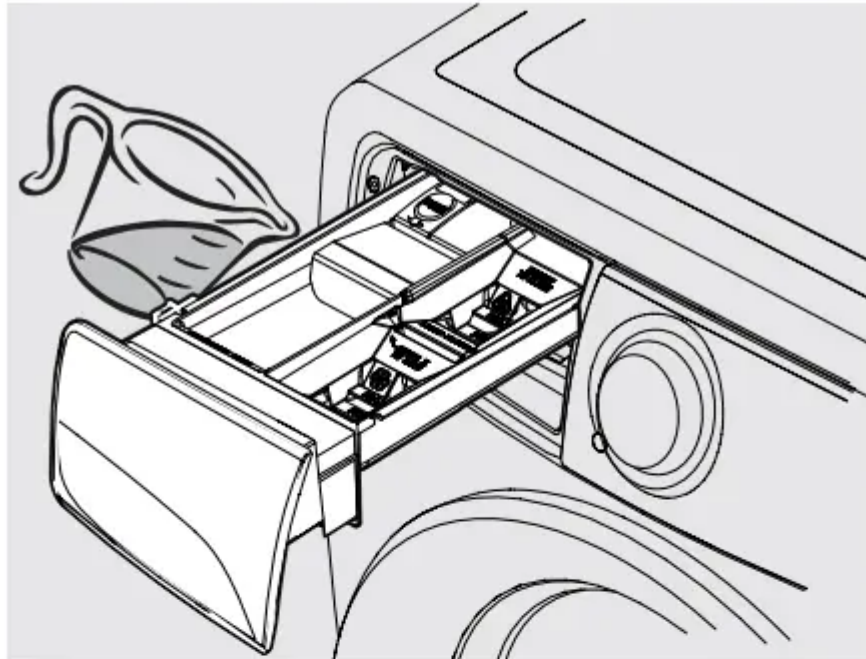
Upon cycle completion inspect the interior of the washer to see if the odor/residue has been eliminated. If more cleaning is required, repeat the above procedure. This may take several cycles depending on the amount of residue. You may observe some remaining discoloration due to the long term effects of this residue.

For especially contaminated areas visible inside the drum (including the front rubber seal), these areas can be effectively cleaned by spraying a bleach cleaner on a scrub brush, soft sponge, or towel and scrubbing the area.

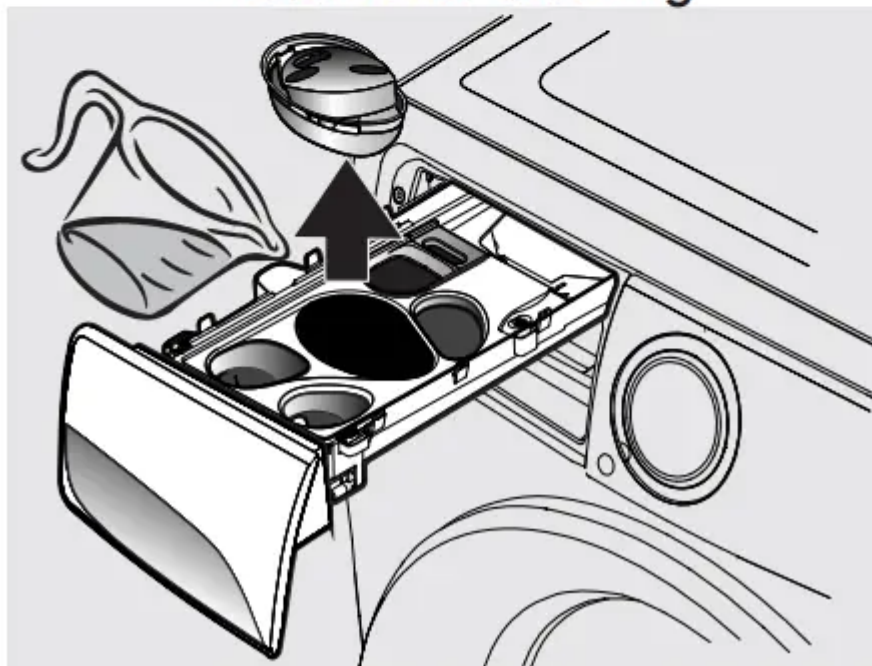
If odor is still left after bleach cycle(s) and bleach cleaner, open the detergent drawer and pour one cup of Washing Machine Cleaner in detergent drawer. Select clean washer cycle as above and start the cycle.

### **Three Compartment Preventative Cleaning**





## Adaptive Dispenser™ Preventative Cleaning



### **WARNING**

#### **HARMFUL VAPOR HAZARD**

DO NOT use or mix liquid chlorine bleach with other household chemicals such as toilet cleaner, acid or products containing ammonia. These mixtures can produce dangerous fumes which can cause injury or death.



### Outside routine cleaning

- When washing is completed, wipe top and sides of washer with a damp cloth.
- Clean the cabinet with mild soap and water. Never use harsh, gritty or abrasive cleanser.
- If the cabinet becomes stained, clean with diluted chlorine bleach (1 part bleach to 8 parts water). Rinse several times with clear water.
- Remove glue residue from tape or labels with a mixture of warm water and mild detergent. Peel with the sticky side of tape.
- When cleaning chrome parts, it is best to use only a damp cloth.
- Before moving the washer, place a strip of cardboard or thin fiberboard under the front edge to prevent damage to the floor.

### IMPORTANT

DO NOT store or place laundry products on top of washer at any time. They can damage the washer. It is recommended to keep laundry products in the storage drawer between cycles if installed on the washer.



## Winterizing instructions

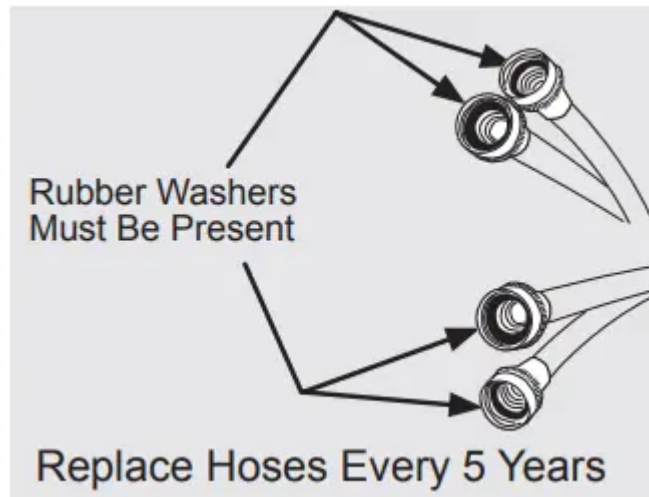
1. Turn off water supply faucets.
2. Disconnect hoses from water supply and drain water from hoses. Vacuum out each water hose with a waterproof utility vac to ensure water valves are completely drained. Damage will occur if water valves are allowed to freeze.
3. Plug electrical cord into a properly grounded electrical outlet.
4. Add 1 gallon (3.8 L) nontoxic recreational vehicle (RV) antifreeze to empty wash drum.
5. Select any cycle. Press start/pause and let the washer drain for 1 minute to drain out all water. The RV antifreeze will be expelled.
6. Press cancel, unplug electrical power cord, dry off drum interior and close door.
7. Remove dispenser drawer. Drain any water in compartments and dry compartments. Reinstall dispenser drawer.
8. Store washer in an upright position.
9. To remove antifreeze from washer after storage, run empty washer through a complete cycle. DO NOT add wash load.

**IMPORTANT** If the washer is stored in an area where freezing can occur or moved in freezing temperatures, follow the winterizing instructions to prevent damage to the washer:



## Water inlet hose inspection

Periodically inspect all water inlet hoses for water leaks, wear, cuts, corrosion and bulges. Replace hoses if any of the above is visible. All hoses should be replaced every 5 years to reduce the risk of hose failure. For more information on inspecting hoses, refer to the Installation sections of this Use & Care Manual for proper installation instructions. Do not overtighten or cross thread the fittings. DO NOT allow the hose to rub against sharp objects. Always ensure the fitting rubber gasket is installed and free from water leaks when water pressure is applied.



### **Instructions for limited use, vacation and away from home**

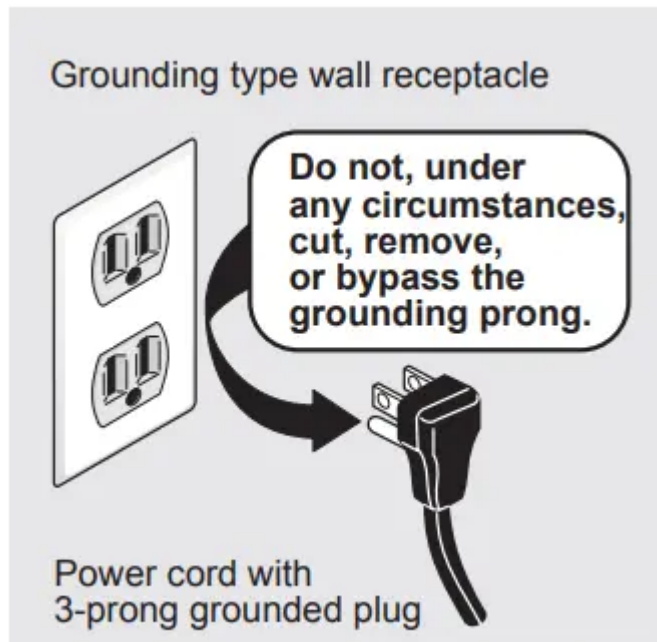
1. Turn off the water supply to washer to avoid water leaks due to water pressure surges and occurrences in the water supply.
2. Disconnect or unplug the electrical power to the washer.
3. Remove excess water from the dispenser, interior door and tub and perform the Care and Maintenance routine.

### **Reconnecting water supply and electrical important**

**IMPORTANT:** When reinstalling the washer after disconnecting the water supply lines and electrical power, follow the steps below:

- Review the Installation section of this manual to ensure the appliance is level and the water and electrical power supply is properly connected.
- Ensure the water lines are flushed of debris, prior to connecting the water lines to the washer.
- Check for water leaks and replace supply hoses if needed.

**WARNING** Improper grounding of the washer may cause serious injury or death. Check with a licensed electrician if you are in doubt as to whether the appliance is properly grounded.



## TROUBLESHOOTING

### Common washing inquiries

Many washing problems involve poor soil and stain removal, residues of lint and scum, and fabric that does not have satisfactory washing results, follow these suggestions provided by The Soap and Detergent Association.

PROBLEM	PROBLEM	POSSIBLE CAUSES	SOLUTION
<b>NOISE</b> (Please refer to <b>Normal Operating Sounds</b> )			
	High pitch "jet engine" noise	A certain amount of motor whine is normal during the spin cycle.	
	Rattling and clanking noise	<ul style="list-style-type: none"> <li>• Foreign objects such as coins or safety pins may be in drum or pump.</li> <li>• Belt buckles and metal fasteners are hitting wash drum.</li> </ul>	<ul style="list-style-type: none"> <li>• Stop washer, check drum for objects and perform maintenance. Empty drum and continue cycle. Do not be in pump area without authorization. Call a technician if needed.</li> <li>• To prevent unnecessary wear and damage, do not fasten fabric items. Turn items inside out.</li> </ul>
	Thumping sound	<ul style="list-style-type: none"> <li>• Heavy wash loads may produce a thumping sound. This is usually normal. If sound continues, washer is probably out of balance.</li> </ul>	<ul style="list-style-type: none"> <li>• Stop washer and redistribute load.</li> </ul>
	Vibrating noise	<ul style="list-style-type: none"> <li>• Washer is not resting firmly on floor.</li> <li>• Shipping bolts and foam block have not been removed.</li> </ul>	<ul style="list-style-type: none"> <li>• Move washer to a level surface. Washer rests firmly on floor. Adjust leveling feet. See <i>Leveling the washer</i> for more information.</li> </ul>



	<ul style="list-style-type: none"> <li>not been removed during installation.</li> <li>Wash load unevenly distributed in drum.</li> </ul>	<ul style="list-style-type: none"> <li>See Installation sections manual shipping foam block</li> <li>Stop washer rearranging</li> </ul>
<b>OPERATING</b>		
Residue left in drum	<ul style="list-style-type: none"> <li>Heavily soiled items.</li> </ul>	<ul style="list-style-type: none"> <li>Wipe drum nonabrasive household cleaner then rinse brush exterior sand from before w</li> </ul>
LED displays "dn"	<ul style="list-style-type: none"> <li>Washer has been programmed to temporarily perform a repeating demo cycle.</li> </ul>	<p>Reset the unit back to default settings.</p> <ol style="list-style-type: none"> <li>Press power off unit F again to Look for light up.</li> <li>Wait at least seconds simultaneously and hold options for secs.</li> <li>Lights will and ON, the unit reset to default</li> </ol>



Washer won't spin	<ul style="list-style-type: none"> <li>• Load is too small.</li> </ul>	<ul style="list-style-type: none"> <li>• Add 1 or more items to the load.</li> </ul>
LED Displays "CLEAR door"	<ul style="list-style-type: none"> <li>• Washer has detected something trapped between the door and door gasket.</li> </ul>	<ul style="list-style-type: none"> <li>• Press button to clear door, trapped items from the door, and restart the cycle.</li> </ul>
Washer does not start	<ul style="list-style-type: none"> <li>• Electrical power cord may not be plugged in or connection may be loose.</li> <li>• House fuse blown, circuit breaker tripped, or a power outage has occurred.</li> <li>• Action of pressing start/pause button on "touch screen" style console not recognized.</li> <li>• Water supply faucets are not turned on.</li> <li>• Motor is overheated. Washer motor will stop if overheated.</li> <li>• Door may be open. Unit will not operate with door open.</li> <li>• Light next to start/pause button is</li> </ul>	<ul style="list-style-type: none"> <li>• Make sure door is closed tightly in.</li> <li>• Reset circuit breaker or replace fuse. NOT increase capacity of a circuit breaker. If you have it checked by a qualified electrician.</li> <li>• Press start button with fingertip.</li> <li>• Turn on water supply faucets.</li> <li>• It will automatically restart after 30 minutes. If it has not restarted manually.</li> <li>• Ensure door is closed.</li> <li>• Press start button to restart cycle.</li> </ul>



flashing indicating unit is paused.

**WATER**

Water collects in folds of the door gasket at the end of the cycle

- This is a result of the washing action and is part of the normal operation of the washer.

- Wipe any water from the gasket to prevent water from remaining in the gasket area.

Water collects in bleach and fabric softener compartments

- This is a result of the siphoning action and is part of the normal operation of the washer.

- Water may be removed from the dispenser (see *Care and Cleaning* manual) to prevent water from entering the drum or door.

Wash load too wet after spin

- Washer is overloaded.
- Load is too small.
- Load is out of balance.
- Drain hose is kinked.

- DO NOT overload the washer.
- **Operating the Washer**
- Add 1 or 2 items to the load.
- Rearrange items to allow proper spinning.
- Straighten the drain hose.

Water does not enter washer or it enters slowly

- Water supply is not adequate in area.
- Water supply faucets are not completely open.
- Water is being used elsewhere in the house. Water

- Check the water pressure in the home until water pressure is restored.
- Fully open the cold faucet.



		<ul style="list-style-type: none"> <li>pressure must be at least 30 psi (260 kPa).</li> <li>Water inlet hoses are kinked.</li> <li>Water inlet screens plugged.</li> </ul>	<ul style="list-style-type: none"> <li>Avoid run elsewhere washer</li> <li>Straighten</li> <li>Remove inlets and screens</li> </ul>
Warm or hot water is not hot enough	<ul style="list-style-type: none"> <li>Hot water heater is set too low or is a distance from washer.</li> <li>Hot water is being used elsewhere in the house.</li> </ul>	<ul style="list-style-type: none"> <li>Measure temperature nearby faucet candy or thermometer. Temperature be at least (49°C). Adjust heater a</li> <li>Avoid use elsewhere during wash. There may not be enough available for cleaning. If it persists, water system may be unable to provide more than a few minutes.</li> </ul>	
Water in washer does not drain or drains slowly	<ul style="list-style-type: none"> <li>Drain hose is kinked or clogged.</li> <li>Drain hose standpipe is too tall. Maximum standpipe height is 8' (2.4 m).</li> <li>House drain pipes are clogged.</li> </ul>	<ul style="list-style-type: none"> <li>Clean and clear the drain</li> <li>Reduce standpipe height to 8' (2.4 m). Installation of this may be necessary</li> <li>Unclog clogged pipes. Contact plumber if necessary</li> </ul>	



Water leaks	<ul style="list-style-type: none"> <li>• Fill hose connection is loose at faucet or washer.</li> <li>• Dispenser drawer not completely closed</li> <li>• Water hoses have damage, cuts or corrosion.</li> </ul>	<ul style="list-style-type: none"> <li>• Check a hose con</li> <li>Install ru</li> <li>washers</li> <li>• Close di</li> <li>drawer c</li> <li>• Replace</li> </ul>
Oversudsing	<ul style="list-style-type: none"> <li>• HE detergent is not being used.</li> <li>• Too much detergent.</li> </ul>	<ul style="list-style-type: none"> <li>• Run rins</li> <li>a low-su</li> <li>efficienc</li> <li>• Run rins</li> <li>less dete</li> <li>future lo</li> </ul>
Incorrect wash and rinse temperatures. The LED display will alert this condition with "HOSE" alarm	<ul style="list-style-type: none"> <li>• Hot and cold water hoses are connected to wrong supply faucets.</li> </ul>	<ul style="list-style-type: none"> <li>• Connect</li> <li>hose to</li> <li>faucet a</li> <li>hose to</li> <li>faucet</li> </ul>
Water is entering washer but tub does not fill	<ul style="list-style-type: none"> <li>• Drain hose standpipe is too low. Standpipe must be a min of 23.6" (60 cm) high to prevent siphoning.</li> </ul>	<ul style="list-style-type: none"> <li>• Increase</li> <li>height to</li> <li>23.6" (6</li> <li>Installati</li> <li>of this m</li> </ul>



**Warning**

This content is compiled from multiple sources and is provided for reference purposes only. It may not be complete or fully applicable to all situations. If you are unable to resolve your issue, please contact the product manufacturer or an authorized service provider for official support.

---

Document generated by [ManualsFile](#)