

## OPERATING INSTRUCTIONS

### Controls

Throughout this manual, features and appearance may vary from your model.

1000 Watts

1. **Door Handle.** Pull to open the door. The door must be securely latched for the microwave to operate.
2. **Door Latches.**
3. **Window with Metal Shield.** Screen allows cooking to be viewed while keeping microwaves confined in the oven.
4. **Touch Control Panel.**
5. **Cooktop Light.**
6. **Grease Filter.**
7. **Removable Turntable.** Turntable and support must be in place when using the oven. The turntable may be removed for cleaning.
8. **Rating Plate.**

**NOTE:** Oven vent(s) and oven light are located on the inside walls of the microwave oven.

*You can microwave by time or with the sensor features. Not all features on all models.*

### Features

#### **Changing the Power Level**

The power level may be entered or changed immediately after entering the feature time for Cook Time, Time Defrost, Add 30 Sec or Express Cook. The power level may also be changed during the time countdown.

1. Press Cook Time.
2. Enter cooking or defrosting time
3. Press Power Level.
4. Select desired power level 1-10.
5. Press Start/Pause. Pressing Start/Pause is not necessary for Express Cook buttons.

Variable power levels add flexibility to microwave cooking. The power levels on the microwave oven can be compared to the surface units on a range. Each power level gives you microwave energy a certain percent of the time. Power level 7 is microwave energy 70%

of the time. Power level 3 is energy 30% of the time. Most cooking will be done on HI which gives you 100% power.

Power Level 10 will cook faster but food may need more frequent stirring, rotating or turning over. A lower setting will cook more evenly and need less stirring or rotating of the food.

Some foods may have better flavor, texture or appearance if one of the lower settings is used. Use a lower power level when cooking foods that have a tendency to boil over, such as scalloped potatoes.

Rest periods (when the microwave energy cycles off) give time for the food to “equalize” or transfer heat to the inside of the food. An example of this is shown with power level 3—the defrost cycle. If microwave energy did not cycle off, the outside of the food would cook before the inside was defrosted.

Here are some examples of uses for various power levels:

**Power Level 10:** Fish, bacon, vegetables, boiling liquids.

**Power Level 7:** Gentle cooking of meat and poultry; baking casseroles and reheating.

**Power Level 5:** Slow cooking and tenderizing for stews and less tender cuts of meat.

**Power Level 2 or 3:** Defrosting; simmering; delicate sauces.

**Power Level 1:** Keeping food warm; softening butter.

## Time Features

### Cook Time I

Allows you to microwave for any time up to 99 minutes and 99 seconds.

Power level 10 (high) is automatically set, but you may change it for more flexibility

- |  |  |  |
|--|--|--|
| <ol style="list-style-type: none"><li>1. Press Cook Time.</li><li>2. Enter cooking time.</li><li>3. Change power level if you don't want full power. (Press Power Level. Select a desired power level 1–10.)</li><li>4. Press Start/Pause.</li></ol> |  |  |
|--|--|--|

You may open the door during Cook Time to check the food. Close the door and press Start/Pause to resume cooking.

### Cook Time II

Lets you change power levels automatically during cooking. Here's how to do it:

1. Press Cook Time.

2. Enter the first cook time.
3. Change the power level if you don't want full power. (Press Power Level. Select a desired power level 1–10.)
4. Press Cook Time again.
5. Enter the second cook time.
6. Change the power level if you don't want full power. (Press Power Level. Select a desired power level 1–10.)
7. Press Start/Pause.

At the end of Cook Time I, Cook Time II counts down.

### **Weight Defrost**

The Defrost Weight/Time feature gives you two ways to defrost food.

Press Defrost Weight/Time once for weight defrost or twice for Time Defrost.

<p>Use Weight Defrost for meat, poultry and fish up to 6 pounds. Use Time Defrost for most other frozen foods.</p>		
--	--	--

<p>Weight Defrost automatically sets the defrosting times and power levels to give even defrosting results for meats, poultry and fish.</p>		
---	--	--

1. Press Defrost Weight/Time once.
2. Using the conversion guide, enter food weight. For example, press pads 1 and 2 for 1.2 pounds (1 pound, 3 ounces).
3. Press Start/Pause.

(Time Defrost is explained in the Time Features section.)

- Remove meat from package and place on microwave-safe dish
- When the oven signals, turn the food over. Remove defrosted meat or shield warm areas with small pieces of foil.
- After defrosting, most meats need to stand 5 minutes to complete defrosting. Large roasts should stand for about 30 minutes.

### **Time Defrost**

Time Defrost allows you to defrost for a selected length of time. See the Defrosting Guide for suggested times. (Weight Defrost is explained in the Auto Feature section.)

- |  |  |  |
|--|--|--|
| <ol style="list-style-type: none"> <li>1. Press Defrost Weight/ Time twice.</li> <li>2. Enter defrosting time.</li> <li>3. Press Start/Pause.</li> <li>4. Turn food over when the oven signal.</li> <li>5. Press Start/Pause.</li> </ol> |  |  |
|--|--|--|

When the oven signals, turn food over and break apart or rearrange pieces for more even defrosting. Shield any warm areas with small pieces of foil. The oven will continue to defrost if you don't open the door and turn the food.

Power level is automatically set at 3, but can be changed. You can defrost small items quickly by raising the power level after entering the time. Power level 7 cuts the total defrosting time in about half; power level 10 cuts the total time to approximately 1/3. However, food will need more frequent attention than usual.

A dull thumping noise may be heard during defrosting. This is normal when oven is not operating at High power.

### **Defrosting Tips**

- Foods frozen in paper or plastic can be defrosted in the package. Closed packages should be slit, pierced or vented AFTER food has partially defrosted. Plastic storage containers should be partially uncovered.
- Family-size, prepackaged frozen dinners can be defrosted and microwaved. If the food is in a foil container, transfer it to a microwave-safe dish.
- For more even defrosting of larger foods, such as roasts, use Defrost Weight. Be sure large meats are completely defrosted before cooking.
- Foods that spoil easily should not be allowed to sit out for more than one hour after defrosting. Room temperature promotes the growth of harmful bacteria.
- When defrosted, food should be cool but softened in all areas. If still slightly icy, return to the microwave very briefly, or let it stand a few minutes counts down.

## **Sensor Features**

### **Humidity Sensor**

The Sensor Features detect the increasing humidity released during cooking. The oven automatically adjusts the cooking time to various types and amounts of food. Do not use the Sensor Features twice in succession on the same food portion—it may result in severely overcooked or burnt food. Be sure to let the oven cool down for 5-10 minutes before starting the next sensor cook.

If food is under cooked after the countdown, use Cook Time for additional cooking time.



- The proper containers and covers are essential for best sensor cooking.
- Always use microwave-safe containers and cover them with lids or vented plastic wrap. Never use tight-sealing plastic covers - they can prevent steam from escaping and cause food to overcook.



Covered



Vented



Dry off dishes so they don't  
mislead the sensor.

- Be sure the outside of the cooking container and the inside of the microwave oven are dry before placing food in the oven. Beads of moisture turning into steam can mislead the sensor.

### Popcorn Feature

To use the Popcorn feature:

1. Follow package instructions, using Cook Time if the package is less than 2.0 ounces or larger than 3.5 ounces. Place the package of popcorn in the center of the microwave.
2. Press POPCORN. The oven starts immediately.

## Popcorn

---

Use only with prepackaged  
microwave popcorn weighing  
2.0 to 3.5 ounces

If you find that the brand of popcorn you use under pops or overcooks consistently, you can add or subtract 20-30 seconds to the automatic popping time.

**To add time:**

After pressing POPCORN, press 9 immediately after the oven starts for an extra 20 seconds of the cooking time. Press 9 again to add another 10 seconds (total 30 seconds) of additional time.

**To subtract time:**

After pressing POPCORN, press 1 immediately after the oven starts for 20 seconds less cooking time. Press 1 again to reduce cooking time another 10 seconds (total 30 seconds) less cooking time.

**Beverage Feature**

To use the Beverage feature:

The Beverage feature heats 4-16 oz of any beverage.

Press BEVERAGE. The oven starts immediately.

Drinks heated with the Beverage feature may be very hot. Remove the container with care.

## Beverage

---

**Reheat**

## Reheat

---

**NOTE:** Do not use this feature twice in succession on the same food portion - it may result in severely overcooked or burnt food.

The Reheat feature reheats single servings of previously cooked foods or a plate of leftovers.

1. Place covered food in the oven. Press Reheat.
2. Press one of the Express Cook pads (from 1 to 4) to select the food you wish to reheat.

Press Pad	Food to Reheat
1	Plate
2	Soup
3	Veggies
4	Pasta



3. The oven signals when steam is sensed and the time remaining begins counting down.

Do not open the oven door until time is counting down. If the door is opened, close it and press Start/Pause immediately

After removing food from the oven, stir, if possible, to even out the temperature. If the food is not hot enough, use Cook Time to reheat for more time. Reheated foods may have wide variations in temperature. Some areas may be extremely hot.

If food is not hot enough after the countdown, use Cook Time for additional reheating time.

### **To Change the Automatic Settings**

- To reduce time by 10%: Press 1 after the feature pad.
- To add 10% to cooking time: Press 9 after the feature pad.

### **Some Foods Not Recommended For Use With Reheat:**

It is best to use Cook Time for these foods:

- Bread products.
- Foods that must be reheated uncovered.
- Foods that need to be stirred or rotated.
- Foods calling for a dry look or crisp surface after reheating.

### **Potato**

## **Potato**

---

**NOTE:** Do not use this feature twice in succession on the same food portion - it may result in severely overcooked or burnt food.

1. Pierce potato skin with fork and place potato in the oven.
2. Press Potato. the oven starts immediately.
3. The oven signals when steam is sensed and time remaining is counting down. Turn or stir the food if necessary.

Do not open the oven door until time is counting down. If the door is opened, close it and press Start/Pause immediately.

If food is undercooked after the countdown, use Cook Time for additional cooking time.

### **To Change the Automatic Settings**

- To reduce time by 10%: Press 1 after the feature pad.

- To add 10% to cooking time: Press 9 after the feature pad.

## **Other Features**

### **Cooking Complete Reminder**

To remind you that you have food in the oven, the oven will display “Food is Ready” and beep once a minute until you either open the oven door or press Cancel/Off.

### **Set Clock**

**Set  
Clock**  

---

**Lock Control  
Hold 3 Sec**

Press to enter the time of day or to check the time of day while microwaving.

1. Press Set Clock.
2. Enter time of day.
3. Press Start or Set Clock.

To check the time of day while microwaving, press Set Clock.

### **Child Lock-Out**

You may lock the control panel to prevent the microwave from being accidentally started or used by children.

To lock or unlock the controls, press and hold Set Clock for about three seconds. When the control panel is locked, LOCKED will appear in the display

### **Display On/Off**

**Display  
On/Off**  

---

**Hold 3 Sec**

To turn the clock display on or off, press and hold Display On/Off button for about 3 seconds. The Display On/Off feature cannot be used while a cooking feature is in use.

### **Timer On/Off**

**Timer  
On/Off**  

---

Timer On/Off operates as a minute timer and can be used at any time, even when the oven is operating.

1. Press Timer On/Off.
2. Enter time you want to count down.
3. Press Timer On/Off to start.

When time is up, the oven will signal. To turn off the timer signal, press Timer On/Off.

**NOTE:** The timer indicator will be lit while the timer is operating

### **Start/Pause**

**Start  
Pause**

---

In addition to starting many functions, Start/Pause allows you to stop cooking without opening the door or clearing the display. Press Start/Pause again to restart the oven.

### **Turntable**

**Turntable  
On/Off**

---

For best cooking results, leave the turntable on. It can be turned off for large dishes. Press TURNTABLE to turn the turntable on or off.

Sometimes the turntable can become too hot to touch. Be careful touching the turntable during and after cooking

### **Vent Fan**

**Vent Fan**

---

The vent fan removes steam and other vapors from surface cooking.

Press Vent Fan once for boost fan speed, twice for high fan speed, a third time for medium fan speed, a fourth time for low fan speed, and a fifth time to turn the fan off.

### **Surface Light**

# Surface Light

---

Press Surface Light to turn the surface light on or off.

On some models, there is a night light option.

Press Surface Light once for high light, twice for low light, and a third time to turn the light off.

## **Mute**

# Mute On/Off

---

The beeper sound level can be muted. Press Mute On/Off.

## **Automatic Fan**

An automatic fan feature protects the microwave from too much heat rising from the cooktop below it. It automatically turns on at low speed if it senses too much heat.

If you have turned the fan on you may find that you cannot turn it off. The fan will automatically turn off when the internal parts are cool. It may stay on for 30 minutes or more after the cooktop and microwave controls are turned off.

## **Clock Mode**

# Settings

---

You can change clock 12/24 hrs display mode.

1. Press Settings.
2. Press Express Cook pad 1.
3. Select 12hrs/24hrs.

1 - 12 hrs

2- 24 hrs

## **Display Speed**

# Settings

---

You can change display speed.

1. Press Settings.
2. Press Express Cook pad 2.
3. Select new display speed.

1 - slow

2 - normal

## Sound Level

# Settings

---

You can change sound level.

1. Press Settings.
2. Press Express Cook pad 3.
3. Select sound level.

0 - mute

1 - low

2 - normal

3 - loud

## Reset Filter Button



**Reset  
Filter**

---

**Hold 3 Sec**

The light will illuminate after approximately 6 months of alert user to replace the charcoal filter (if used) and clean/replace the grease filters. Reset by push and hold 3 seconds.

**Filter Replace Reminder**

The charcoal/grease filter should be replaced when it is noticeably dirty / discolored(usually after 6-12 months, depending on hood usage) or filter replacement LED is on.

When the Filter Replace LED turned on, replace filter and press Reset Filter and hold for 3 seconds to reset.

**CARE AND CLEANING**

**Helpful Hints**

		<p>An occasional thorough wiping with a solution of baking soda and water keeps the inside fresh.</p> <p>Be sure the power is off before cleaning any part of this oven</p>
--	--	---

**How to Clean the Inside**

<p>Walls, Floor, Inside Window, Metal and Plastic Parts on the Door</p> <p>Some spatters can be removed with a paper towel; others may require a damp cloth. Remove greasy spatters with a sudsy cloth, then rinse with a damp cloth. Do not use abrasive cleaners or sharp utensils on oven walls.</p> <p>Never use a commercial oven cleaner on any part of your microwave.</p>	<p>Removable Turntable and Turntable Support</p> <p>To prevent breakage, do not place the turntable into water just after cooking. Wash it carefully in warm, sudsy water or in the dishwasher. The turntable and support can be broken if dropped. Remember, do not operate the oven in the microwave mode without the turntable and support seated and in place.</p>

**How to Clean the Outside**

We recommend against using cleaners with ammonia or alcohol, as they can damage the appearance of the microwave oven. If you choose to use a common household cleaner, first apply the cleaner directly to a clean cloth, then wipe the soiled area.



## **Case**

Clean the outside of the microwave with a sudsy cloth. Rinse and then dry. Wipe the window clean with a damp cloth.

## **Control Panel**

Wipe with a damp cloth. Dry thoroughly. Do not use cleaning sprays, large amounts of soap and water, abrasives or sharp objects on the panel—they can damage it. Some paper towels can also scratch the control panel.

## **Door Panel**

Before cleaning the front door panel, make sure you know what type of panel you have. Refer to the eighth digit of the model number. “S” is stainless steel, “L” is CleanSteel and “B”, “W” or “C” are plastic colors.

## **Stainless Steel (on some models)**

The stainless steel panel can be cleaned with Stainless Steel Magic or a similar product using a clean, soft cloth. Apply stainless cleaner carefully to avoid the surrounding plastic parts. Do not use appliance wax, polish, bleach or products containing chlorine on Stainless Steel finishes.

## **Plastic Color Panels**

Use a clean, soft, lightly dampened cloth, then dry thoroughly.

## **Door Seal**

It's important to keep the area clean where the door seals against the microwave. Use only mild, nonabrasive detergents applied with a clean sponge or soft cloth. Rinse well.

## **Bottom**

Clean off the grease and dust on the bottom often. Use a solution of warm water and detergent.

## Cooktop Light/Nite Light

Replace with a 120 volt, 50 watt (max.) halogen bulb. See back cover for ordering online at [geappliances.com](http://geappliances.com).

1. To replace the cooktop light/nite light, first disconnect the power at the main fuse or circuit breaker panel, or pull the plug
2. Remove the screw from the side of the light compartment cover and lower the cover until it stops.
3. Be sure the bulb is cool before removing. Break the adhesive seal by gently unscrewing the bulb.
4. Screw in the new bulb, then raise the light cover and replace the screw. Connect electrical power to the oven.

## Vent Fan

The vent fan has two metal reusable vent filters.

Models that recirculate air back into the room also use a charcoal filter.



## Reusable Vent Filters

The metal filters trap grease released by foods on the cooktop. They also prevent flames from foods on the cooktop from damaging the inside of the oven.

For this reason, the filters must always be in place when the hood is used. The vent filters should be cleaned once a month, or as needed.

## Removing and Cleaning the Filters

**To remove**, slide them to the rear using the tabs. Pull down and out



To clean the vent filters, soak them and then swish around in hot water and detergent. Don't use ammonia or ammonia products because they will darken the metal. Light brushing can be used to remove embedded dirt.

Rinse, shake and let dry before replacing.

**To replace**, slide the filters into the frame slots on the back of each opening. Press up and to the front to lock into place.

## Charcoal Filter

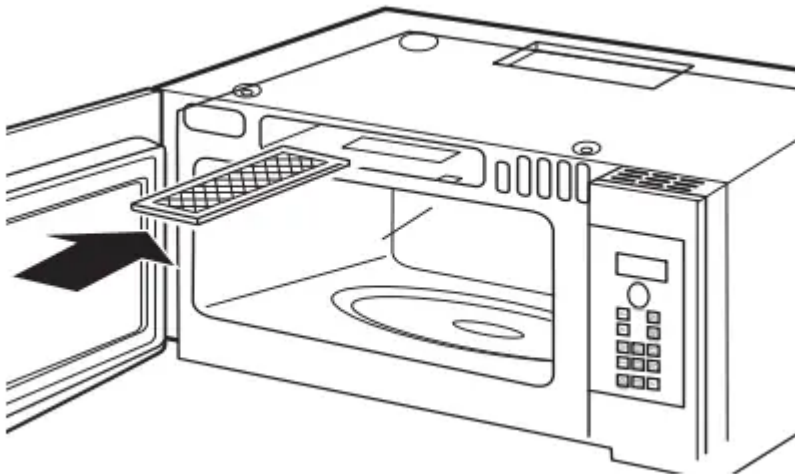
The charcoal filter cannot be cleaned. It must be replaced. See back cover for ordering online at [GEAppliances website](http://GEAppliances.com).

If the model is not vented to the outside, the air will be recirculated through a disposable charcoal filter that helps remove smoke and odors.

The charcoal filter should be replaced when it is noticeably dirty or discolored (usually after 6 to 12 months, depending on usage). See Optional Kits page 24, for more information.

### CHARCOAL FILTER REPLACEMENT

1. Unplug the microwave oven.
2. Remove the vent grille mounting screws.
3. Tip the grille forward, then lift out to remove.
4. Remove the charcoal filter.
5. Slide a new charcoal filter into place.
6. Slide the bottom of the vent grille into place. Push the top until it snaps into place.  
Replace the mounting screws
7. Plug in the microwave oven.



## TROUBLESHOOTING TIPS

<b>Problem</b>	<b>Possible Cause</b>	<b>What to Do</b>
Oven will not start	A fuse in your home may be blown or the circuit breaker tripped.	Replace fuse or reset circuit breaker.
	Power surge.	Unplug the microwave oven, then plug it back in.
	Plug not fully inserted wall outlet.	Make sure the 3-prong plug on the into oven is fully inserted into wall outlet.
	Door not securely closed.	Open the door and close securely.
Floor of the oven is warm, even when the oven has not been used	Heat from the cooktop light may make the oven floor get warm.	This is normal.
“LOCKED” appears on display	The control has been locked	Press and hold SET CLOCK for about 3 seconds to unlock the control.
You hear an unusual, low-tone beep	You have tried to start the Reminder without a valid time of day.	Start over and enter a valid time of day
	You have tried to change the power level when it is not allowed.	Many of the oven’s features are preset and cannot be changed.
“SENSOR ERROR” appears on display	When using a Sensor feature, the door was opened before steam could be detected.	Do not open door until steam is sensed and time is shown counting down on display.
	Steam not detected in maximum amount of time.	Use Time Cook to heat for more time.



Problem	Possible Cause	What to Do
Food amount too large for Sensor Reheat	Sensor Reheat is for single servings of recommended foods.	Use Time Cook for large amounts of food.

### Things That Are Normal With Your Microwave Oven

- Steam or vapor escaping from around the door.
- Light reflection around door or outer case.
- Dimming oven light and change in the blower sound at power levels other than high.
- Dull thumping sound while oven is operating.

#### Warning

This content is compiled from multiple sources and is provided for reference purposes only. It may not be complete or fully applicable to all situations. If you are unable to resolve your issue, please contact the product manufacturer or an authorized service provider for official support.