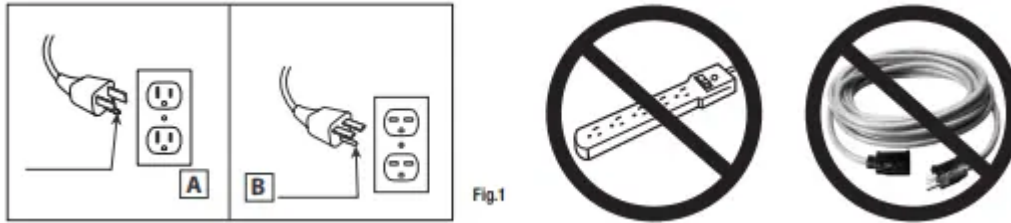


## **IMPORTANT INSTRUCTIONS**

When using electrical appliances, basic precautions should always be followed to reduce the risk of fire, electrical shock, and injury to persons including the following:

1. Read all instructions before using this appliance.
2. This appliance is hot when in use. To avoid burns, do not let bare skin touch hot surfaces. If provided, use handles when moving this appliance. Keep combustible materials, such as furniture, pillows, bedding, papers, clothes and curtains at least 3 feet (0.9 m) from the front of this appliance and keep away from the sides and the rear.  
**WARNING:** In order to avoid overheating, do not cover the heater.
3. **CAUTION:** Never leave the heater operating unattended. Extreme caution is necessary if unsupervised children or invalids are nearby.
4. The appliance is not to be used by children or persons with reduced physical, sensory or mental capabilities, or lack of experience and knowledge, unless they have been given supervision or instruction.
5. Always unplug this appliance when not in use.
6. Do not operate any heater with a damaged cord or plug or after the appliance malfunctions, or if it has been dropped or damaged in any manner.
7. If the supply cord is damaged, it must be replaced by the manufacturer, its service agent or similarly qualified persons in order to avoid a hazard.
8. Do not use outdoors.
9. This heater is not intended for use in bathrooms, laundry areas and similar indoor locations. Never locate this appliance where it may fall into a bathtub or other water container.
10. Do not run cord under carpeting. Do not cover cord with throw rugs, runners or the like. Arrange cord away from traffic areas and where it will not be tripped over.
11. To disconnect this appliance, turn controls to the off position, then remove plug from outlet.
12. Connect to properly grounded outlets only. This heater is for use on 120 volts. The cord has a plug as shown at A in Fig.1. Do not use a 2 prong adapters. Never use with an

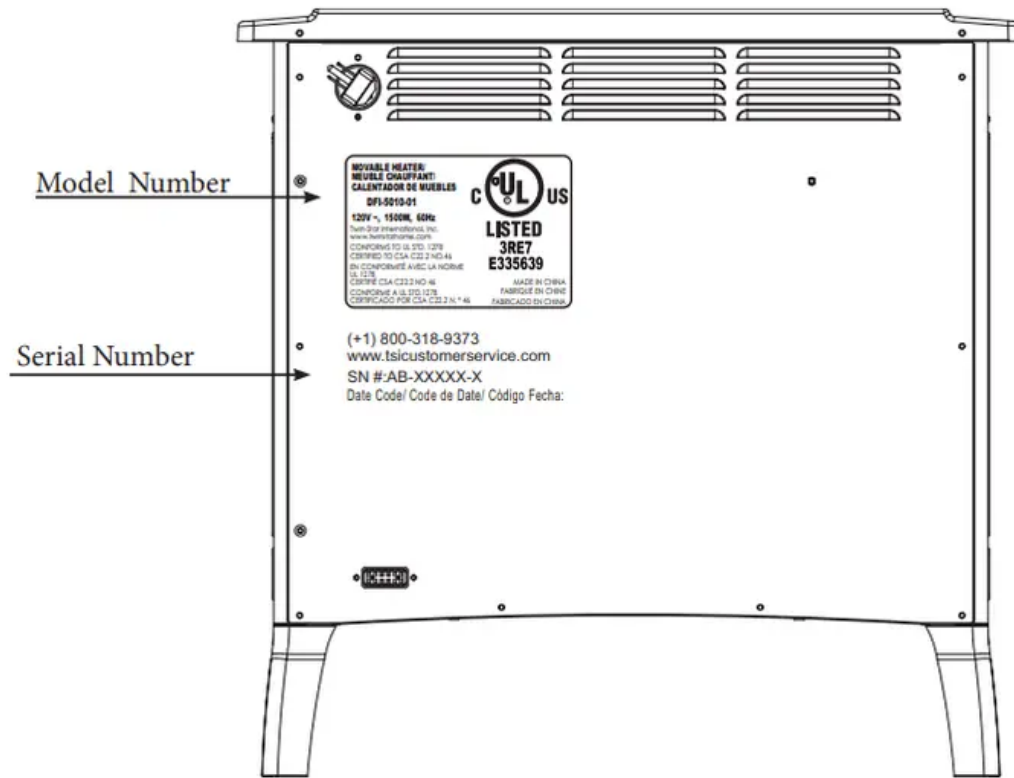
extension cord or relocatable power tap (outlet/power strip).



13. This appliance, when installed, must be electrically grounded in accordance with local codes or, in the absence of local codes, with the current CSA C22.1 Canadian Electrical Code or for U.S.A. installations, follow local codes and the National Electrical Code, ANSI/NFPA NO.70
14. Do not insert or allow foreign objects to enter any ventilation or exhaust opening as this may cause an electric shock or fire, or damage the appliance.
15. To prevent a possible fire, do not block air intakes or exhaust in any manner. Do not use on soft surfaces, like a bed, where opening may become blocked
16. This appliance has hot and arcing or sparking parts inside. Do not use it in areas where gasoline, paint or flammable liquids are used or stored. This fireplace should not be used as a drying rack for clothing. Christmas stockings or decorations should not be hung in the area of it
17. Use this appliance only as described in the manual. Any other use not recommended by the manufacturer may cause fire, electric shock or injury to persons.
18. This heater may include a visual alarm to warn that parts of the heater are getting excessively hot. If the alarm flashes immediately turn the heater off and inspect for any objects on or adjacent to the heater that may cause high temperatures. **DO NOT OPERATE THE HEATER WITH THE ALARM FLASHING!**

## GETTING STARTED

1. The serial number is located on the back of the stove, the serial number is necessary for product warranty registration and customer service.



Back of the Stove

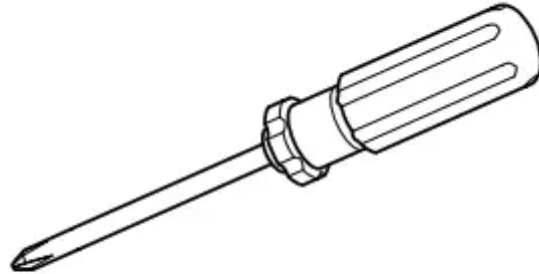
2. Go to [www.tsicustomerservice.com](http://www.tsicustomerservice.com) for product warranty registration. If you are unable to complete registration save your proof of purchase for warranty purposes.

## PRODUCT SPECIFICATIONS

|              |               |
|--------------|---------------|
| VOLTAGE      | 120VAC, 60 Hz |
| AMPS         | 12.5 Amps     |
| WATTS (max.) | 1500 Watts    |

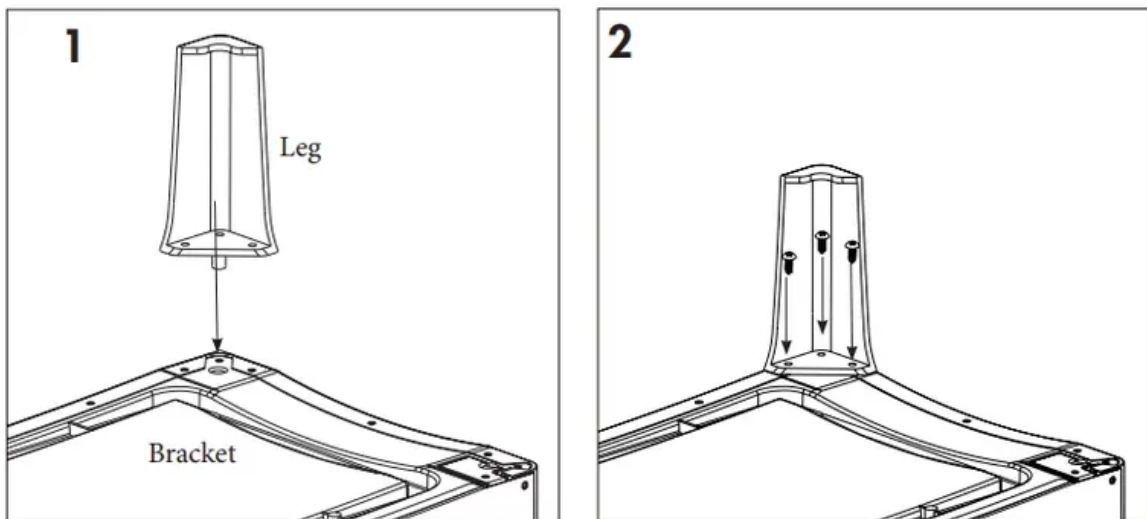
# INSTALLATION INSTRUCTIONS

## Tools Required for Assembly



Phillips Head Screwdriver

## Leg Assembly



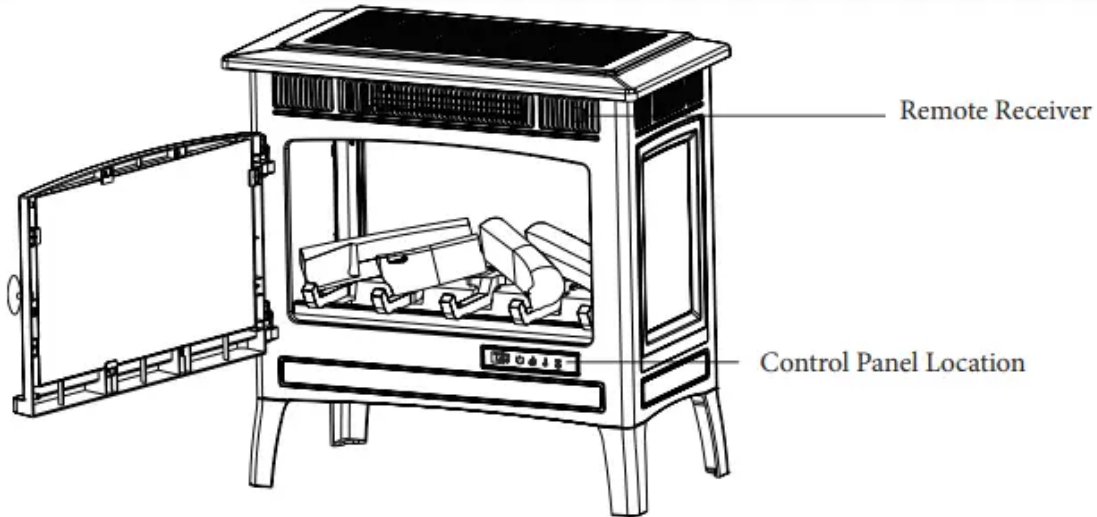
1. Align the mounting tab into the bracket and lower the leg into place. (Fig 1)
2. Fasten the leg to the bracket using the included screws, 3 per leg

## CARE AND MAINTENANCE

- Clean the trim using a soft cloth, slightly dampened with citrus oil based product and buff with a clean soft cloth.
- DO NOT use brass polish or household cleaners as these products will damage the metal trim. Citrus oil based products can be obtained at supermarkets or hardware stores.

- **WARNING:** Electrical outlet wiring must comply with local building codes and other applicable regulations to reduce the risk of fire, electrical shock and injury to persons.
- **Warning:** Disconnect power before attempting any maintenance or cleaning to reduce the risk of fire, electrical shock or personal injury

## OPERATION INSTRUCTIONS







Control Panel



Remote Control

NOTE: Please operate the remote transmitter at a slow measured pace. Press the remote control buttons with an even motion and gentle pressure. Repeatedly pressing buttons in rapid succession may cause the transmitter to malfunction.

| Function | Icon  | Description   |
|----------|---|---|
| POWER    |    | <p>The POWER button supplies power to all the functions of the stove. Pressing the POWER button again the stove will be put in standby mode. This will turn off all functions at once but will hold the settings in the memory. By pressing the Power button again the unit will turn on at the same settings.</p> <p>With the power on press and hold the Power button on the control panel for 10 seconds to disable or re-enable the heater function. Once disabled or re-enabled the emberbed lights will flash multiple times.</p> |
| FLAME    |    | <p>There are 5 brightness levels that can be selected and OFF (00) setting.</p> <p>Settings F5 - F1 decrease in brightness.</p>   |
| HEATER   |   | <p>The stove contains a fan forced infrared element heater.</p> <p>The thermostat setting range is 62°F - 82°F (17°C - 27°C) or continuously ON or OFF(00).</p> <p>The thermostat is adjustable by 2°F or 1°C increments by pressing the HEATER button on the control panel.</p> <p>To change between °F and °C press and hold the HEATER button on the control panel for 3 seconds.</p> <p>The button on the remote only turns the heater on/off to the thermostat setting selected with the control panel</p>                         |
| TIMER    |  | <p>Pressing the timer button will cycle through the timer settings; 30 minutes, 1 Hour, 2H, 3H, 4H, 5H, 6H, 7H, 8H, 9H and off (00)</p>   |

# TROUBLESHOOTING GUIDE



| Problem                               | Root Cause   | Corrective Action  |
|---------------------------------------|--|--|
| 1. Display shows "E 1"                | 1. The thermostat sensor is broken or disconnected.  | 1. Unplug the stove, remove the back panel of the stove and check that the thermostat is plugged into the main circuit board. If this does not solve the problem contact customer service for a replacement thermostat sensor.   |
| 2. Display shows "E 2"                | 2. The thermostat sensor is broken.  | 2. Contact customer service for a replacement thermostat sensor.   |
| 3. Display shows "E 3"                | 3. Manual Reset overheat protection has triggered.   | 3. Inspect the heater and check that the air inlets and outlets are not blocked as this may cause overheating. Unplug the heater for 30 minutes and allow it to cool down. Replug and operate, monitor the heater for signs of overheating, if the problem persist discontinue use of the heater and contact customer service. |
| 4. No power, buttons do not light up. | 4. Power cord was not plugged into the outlet.   | 4. Check that unit is plugged directly into a standard 120 volt outlet   |
| 5. Stove does not turn on manually    | 5a. No incoming power from the electrical wall socket or buttons.<br>5b. Improper operation.<br>5c. Defective button | 5a. Check circuit breakers and move unit to another outlet.<br>5b. Manually press main power button from front of unit.<br>5c. Replace control panel circuit board.  |
| 6. Flames are not moving              | 6a. Defective flame generator drive motor.<br>6b. Spinner detached from the motor.                                   | 6a. Replace flame generator drive motor.<br>6b. Remove the back panel/ emberbed/ metal bracket and check to see if "spinner" is correctly mounted to the motor.  |
| 7. Logs glow, but no flame effect.    | 7. Flame effect turned off   | 7. Press flame button several times.   |

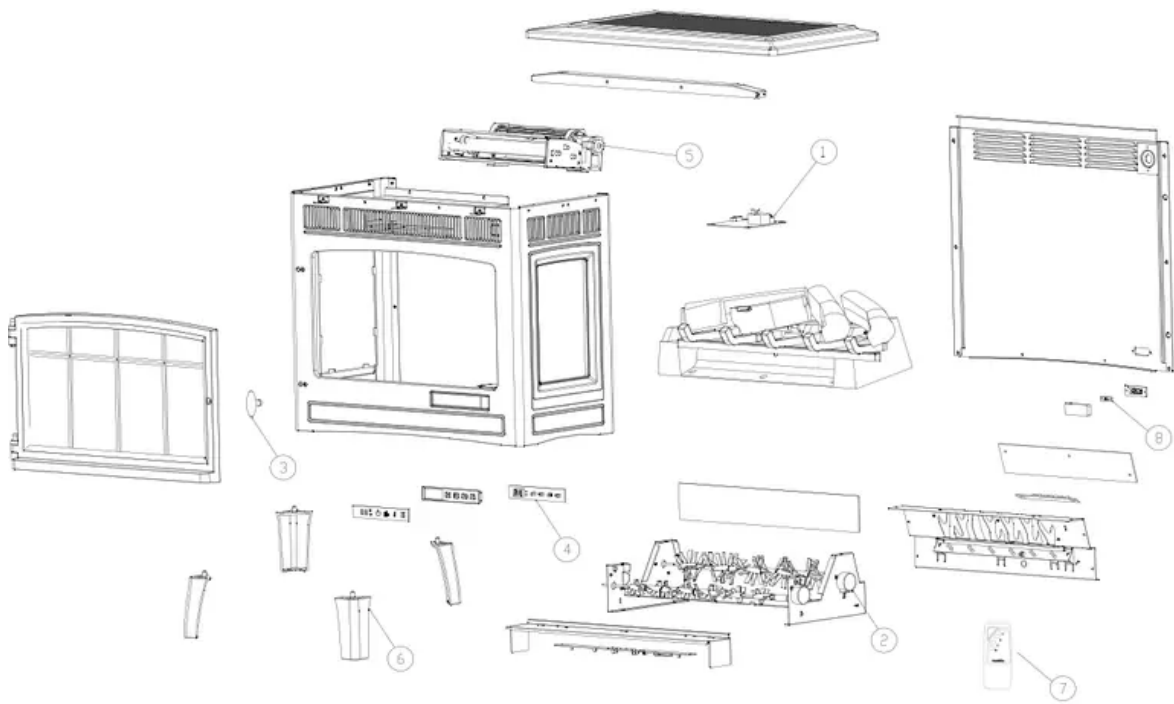
|  |   |   |
|--|---|---|
| 8. Heater does not blow warm air.              | 8. Thermostat setting is preventing heater from turning on.                                       | 8. Adjust the temperature settings to ensure that the thermostat is set higher than the current room temperature.                   |
| 9. Heater is not turning on.                   | 9a. Improper operation<br>9b. Defective heater/blower assembly                                    | 9a. Manually press main power button on front of unit.<br>9b. Replace heater/blower assembly  |
| 10. Not producing enough heat.                 | 10a. power strip/ surge protector/ extension cord being used<br>10b. Location of unit.            | 10a. Plug unit directly into the wall.<br>10b. Make sure unit is located on an interior wall.                                       |
| 11. Unit blows cool or cold air.               | 11. Defective heater blower assembly.   | 11. Replace heater blower assembly  |
| 12. Noise with heater on.                      | 12a. Dirty heater blower motor<br>12b. Defective heater/blower assembly.                          | 12a. Gently vacuum heater blower vents.<br>12b. Replace heater/blower assembly  |
| 13. Noise with flames on and heater off.       | 13a. Defective flame generator drive motor.<br>13b. Dented back panel<br>13c. Warped spinner shaf | 13a. Replace flame generator drive motor.<br>13b. Refer to TSI customer service.<br>13c. Refer to TSI customer service.             |
| 14. Is it safe to place unit on carpet?        | 14. Product Inquiry   | 14. It is safe to place unit on carpet but make sure any flammable items are at least 3 feet away from front and sides of the unit. |
| 15. How many square feet will my unit warm up? | 15. Product Inquiry   | 15. Provides supplemental heat up to 1000 square feet   |



|   |   |   |
|---|---|---|
| <p>16. Flame effect works but heater function does not and the embered flashes when the heater button is pressed.</p> | <p>16. The heater is disabled.</p>  | <p>16. With the power on press and hold the POWER button on the control panel for 10 seconds. Once re-enabled the embered lights will flash multiple times.</p>   |
| <p>17. Remote control is not working when buttons are pressed.</p>  | <p>17a. No batteries or battery power.<br/>17b. Poor signal<br/>17c. Distance</p> | <p>17a. Change the remote batteries.<br/>17b. Operate remote transmitter at a slow measured pace. Press the remote control buttons with an even motion and gentle pressure. Repeatedly pressing buttons in rapid succession may cause the transmitter to malfunction.<br/>17c. Operate the remote at a distance less than 20 feet from the front of the appliance; point the remote at the control panel.</p> |

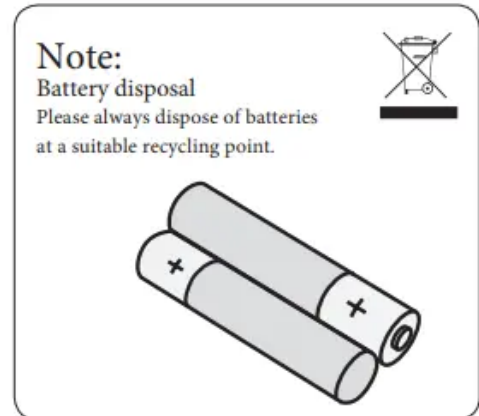
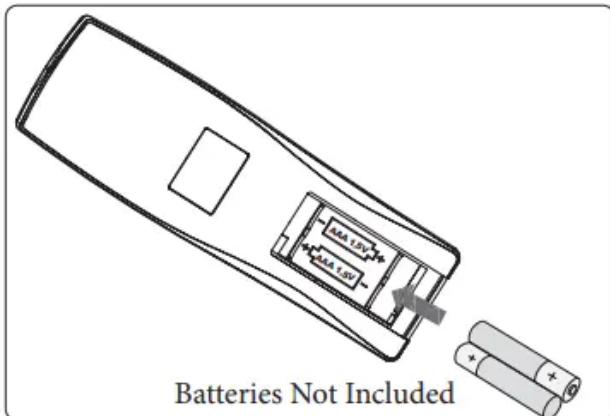
## EXPLODED VIEW

| Part | Part Name                   | Part Number  |
|------|-----------------------------|--|
| 1    | Main Circuit Board          | Y16-S174-P15   |
| 2    | Flame Generator Drive Motor | Y16-S174-P10   |
| 3    | Door Pull                   | Y16-S201-DP  |
| 4    | Control Panel Circuit Board | Y16-S174-P32   |
| 5    | Heater/Blower Assembly      | Y15-S201-P01   |
| 6    | Stove legs                  | SL-5010-BLK (DFI-5010-01)/<br>SL-5010-BRZ (DFI-5010-02)<br>SL-5010-CIN (DFI-5010-03)/<br>SL-5010-CRM (DFI-5010-04)<br>SL-5010-GRY(DFI-5010-05)/<br>SL-5010-PIS (DFI-5010-06) |
| 7    | Remote control              | P136   |
| 8    | Thermostat Sensor           | NTC-S  |



## BATTERY REPLACEMENT

NOTE: Do not mix old and new batteries. Do not mix alkaline, standard (carbon zinc), or rechargeable (nicad, nimh, etc.) batteries.



### CAUTION:

- Do not ingest batteries.
- Non-rechargeable batteries are not to be recharged.
- Batteries are to be inserted with the correct polarity.
- Exhausted batteries are to be removed from the product.
- Always purchase the correct size and grade of battery most suitable for the intended use.
- Replace all batteries of a set at the same time.
- Clean the battery contacts and also those of the device prior to battery installation.

- Remove used batteries promptly.

**Warning**

This content is compiled from multiple sources and is provided for reference purposes only. It may not be complete or fully applicable to all situations. If you are unable to resolve your issue, please contact the product manufacturer or an authorized service provider for official support.

---

Document generated by [ManualsFile](#)

