

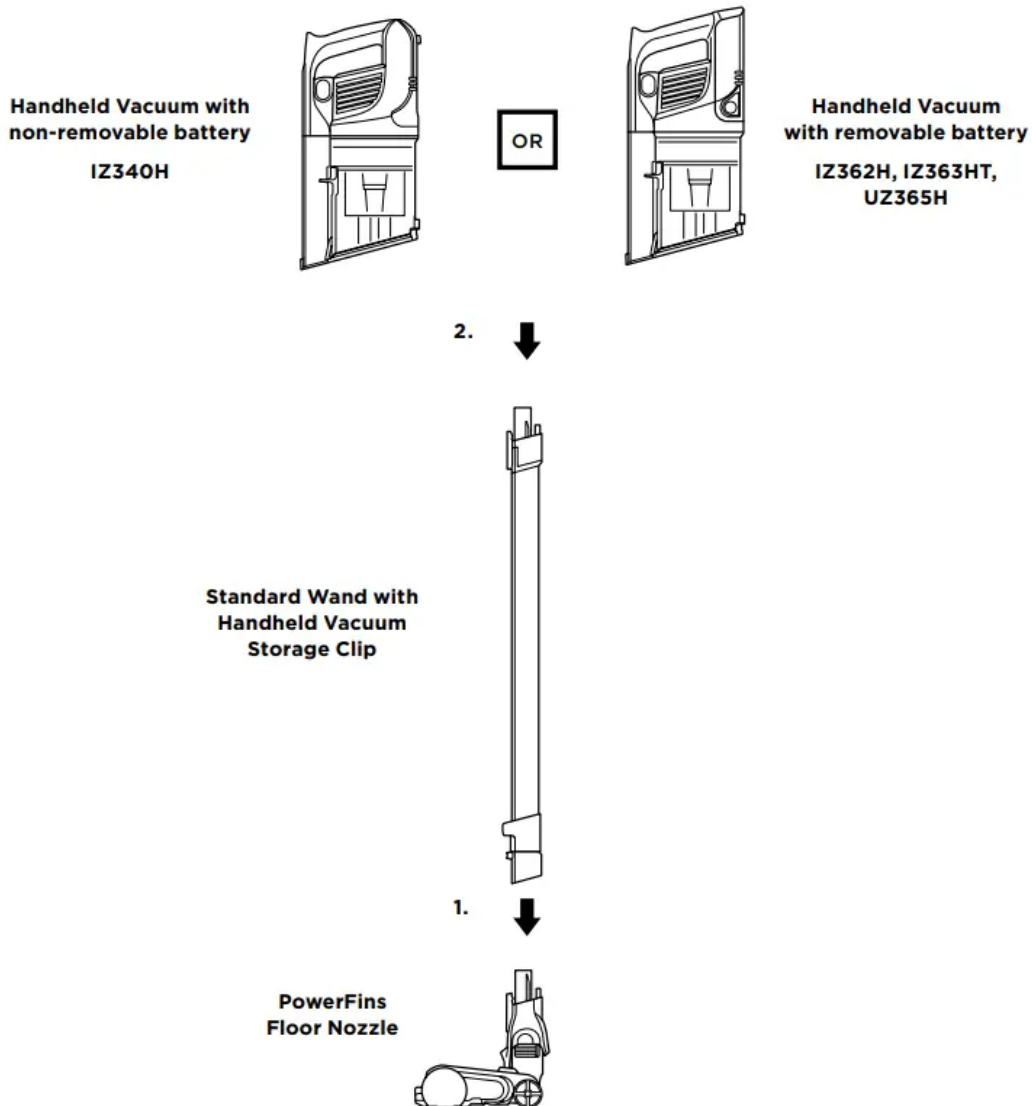
## OWNER'S GUIDE Cordless Vacuum

### ASSEMBLY

Your vacuum comes equipped with a standard wand with a storage clip and the PowerFins floor nozzle. In some models, the battery in the handheld vacuum is removable, while in others the battery is non-removable. All versions assemble the same way

1. Insert Wand into Floor Nozzle.
2. Insert Handheld Vacuum into wand.

For proper operation, ensure all components are completely connected and clicked into place.

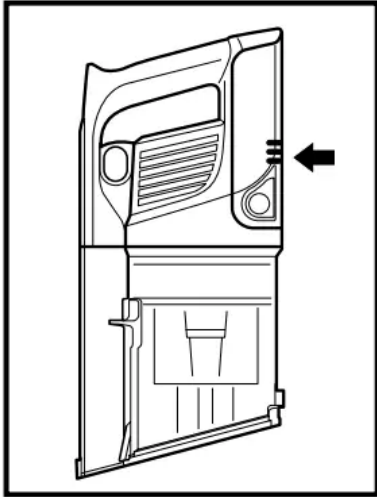


NOTE: Your vacuum's model and serial numbers can be found on the QR code label on the bottom of the back of the handheld vacuum.

## LI-ION BATTERY

Prior to first use, charge completely. A full charge takes approximately 3 hours..

### LED BATTERY POWER AND CHARGING INDICATORS



#### Charging

 Low Charge     Mid Charge

 Nearly Full     Full Charge

**NOTE:** Full charge takes approximately 3 hours.

#### In Use

 Full Charge     Mid Charge     Low Charge

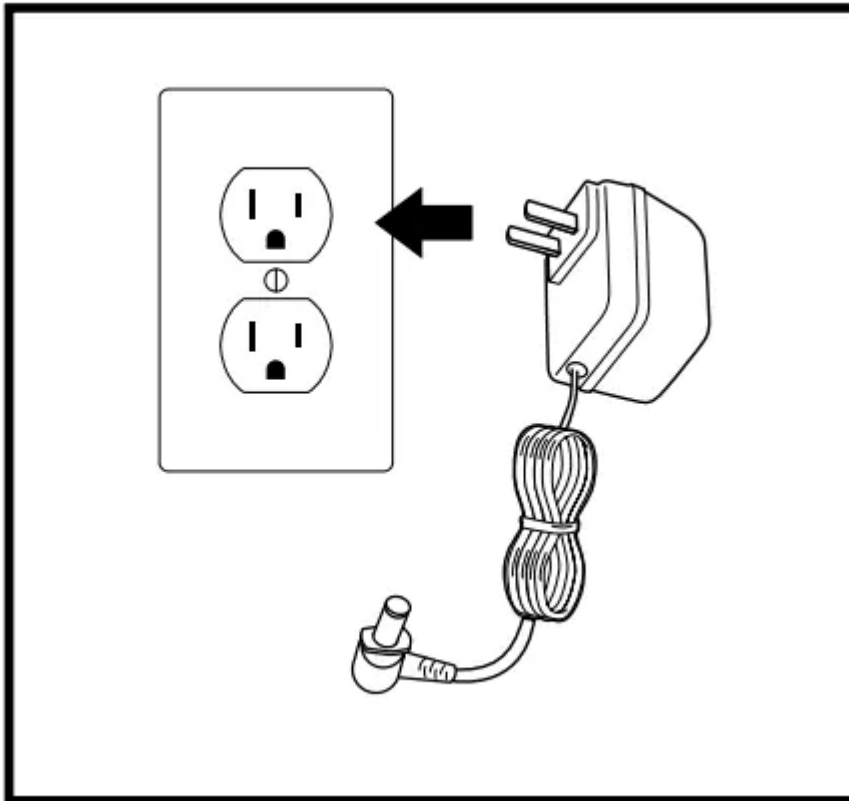
 Nearly Empty     No Charge

### RECYCLING THE LI-ION BATTERY

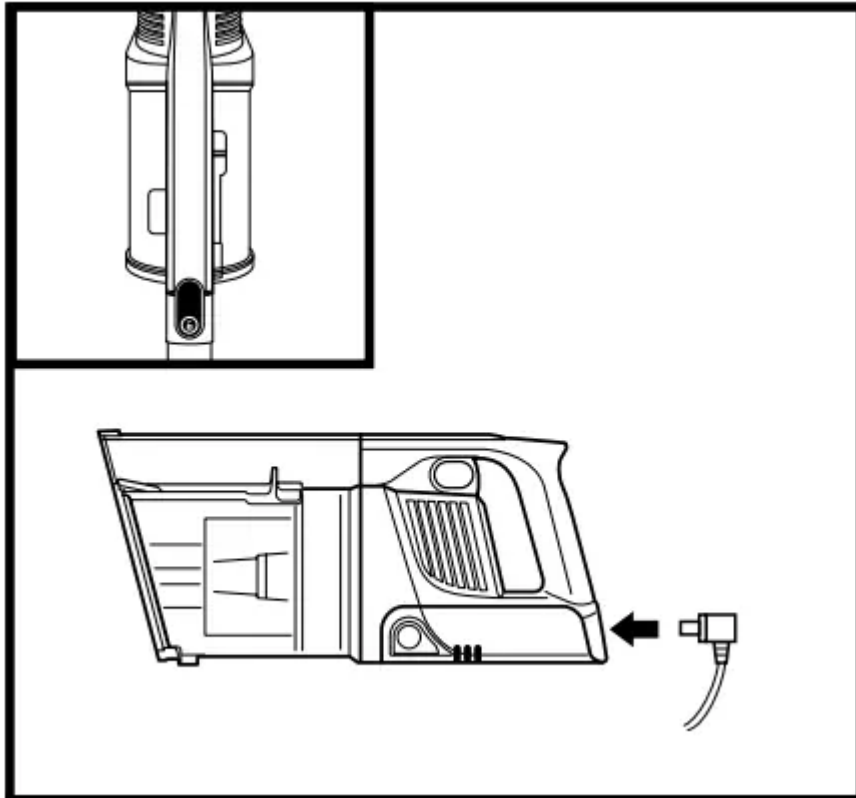
- When the Shark Li-Ion battery needs to be replaced, dispose of it or recycle it in accordance with local ordinances or regulations. In some areas, it is illegal to place spent lithium-ion batteries in the trash or in a municipal solid waste stream. Return spent batteries to an authorized recycling center or to the retailer for recycling. Contact your local recycling center for information on where to drop off the spent battery.

NOTE: The Shark battery, like all lithium-ion batteries, will naturally decrease in capacity over time from the 100% capacity of a new battery.

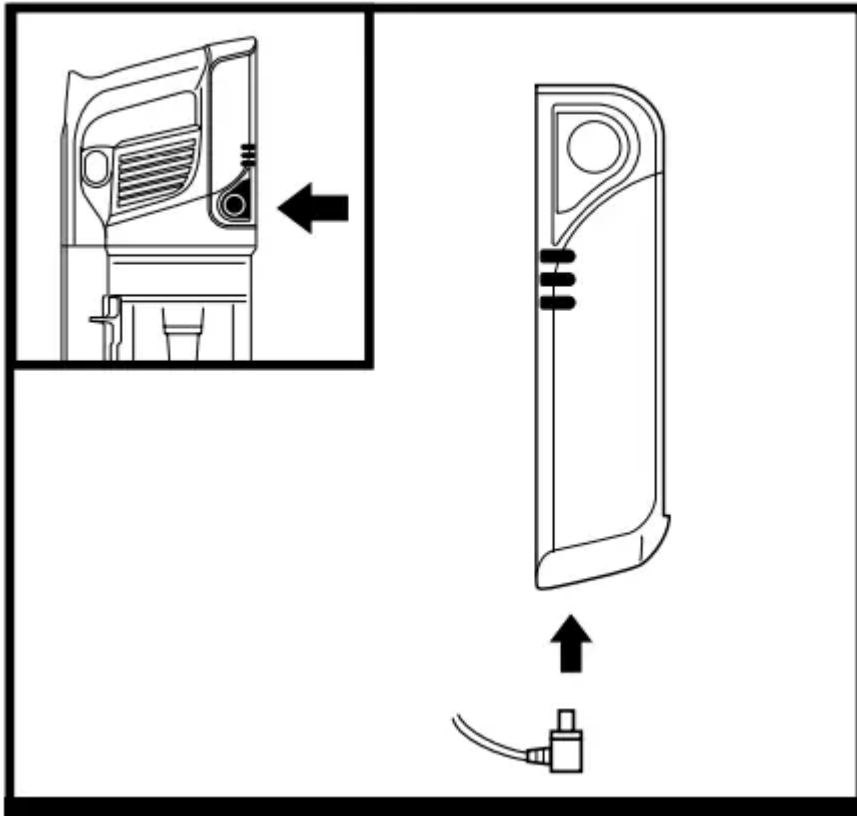
## CHARGING THE BATTERY



- LI-ION CHARGER: Plug the Li-Ion Charger into a wall outlet

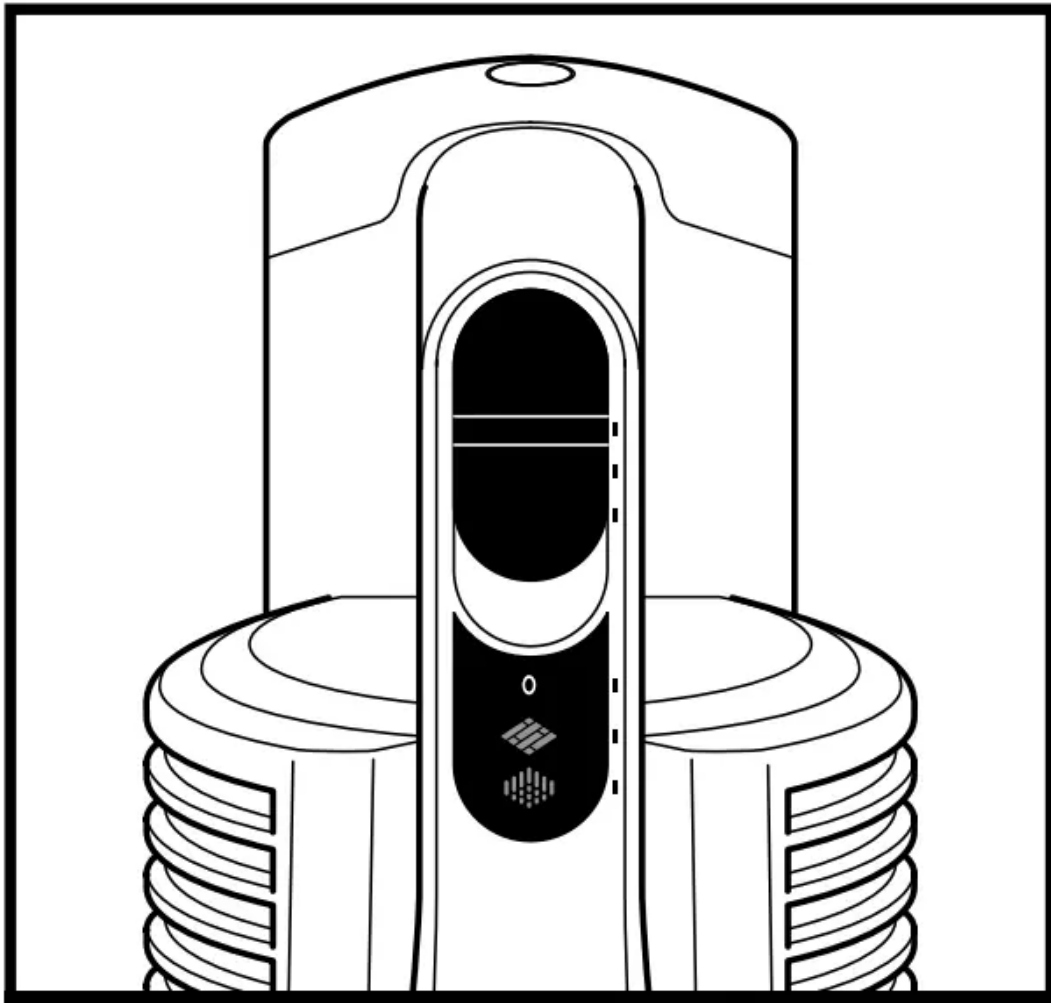


- **OPTION 1 – NON-REMOVABLE BATTERY:** If your handheld vacuum's battery is nonremovable, press the Wand Release button to detach the handheld vacuum, then plug the charger into the charging port on the handheld vacuum.

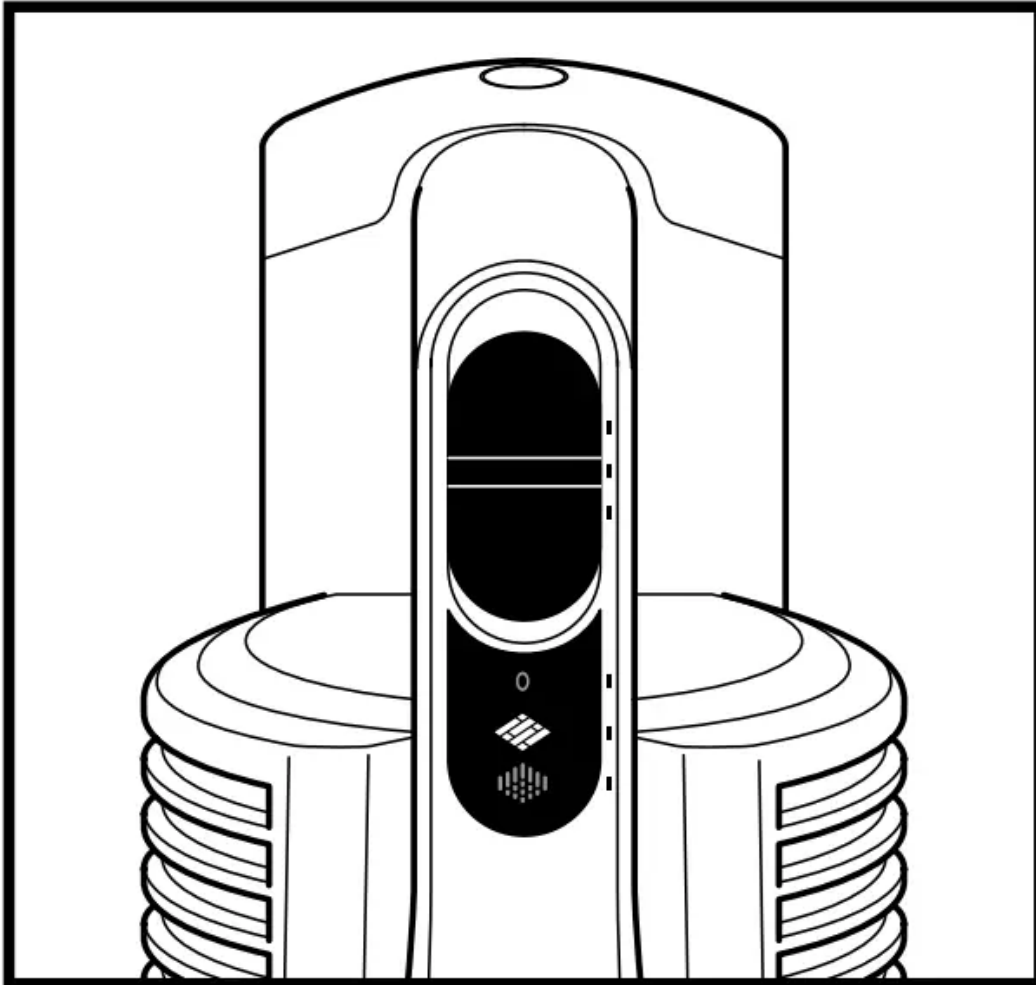


- OPTION 2 - OUT OF VACUUM: If the battery is removable, press and hold the battery release button, then slide out the battery. Plug the charger into the charging port on the battery. To re-install the battery, slide it into the slot in the back of the handheld vacuum.

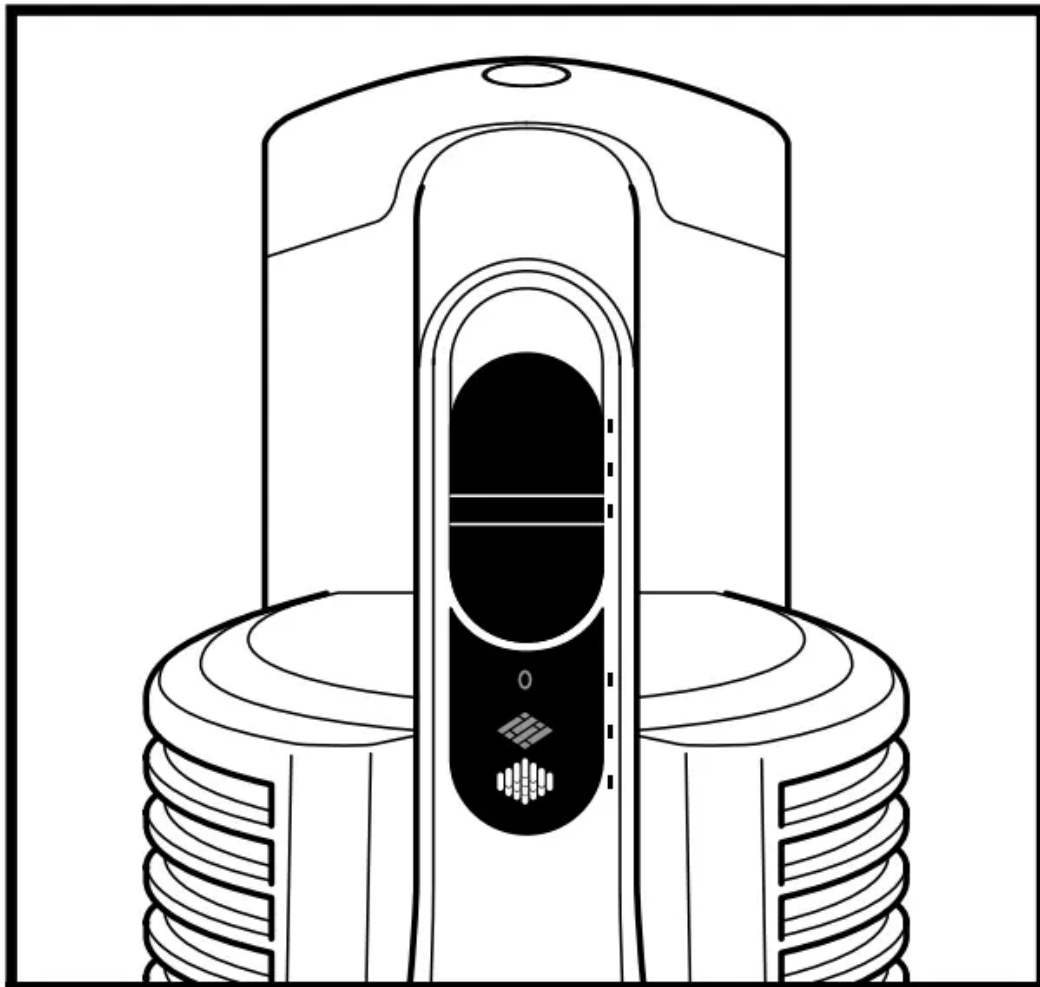
## POWER SETTINGS



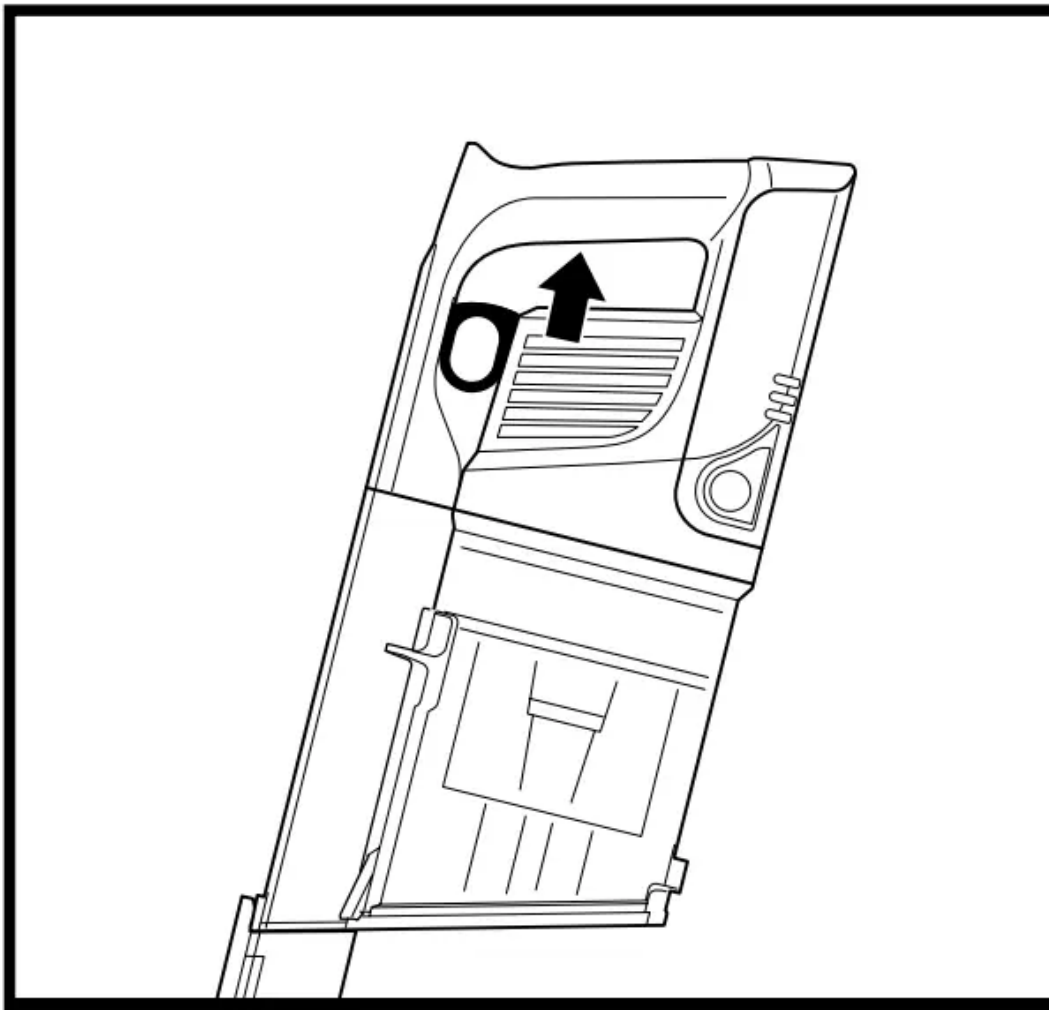
- OFF: Slide switch to the top to turn off power. To begin vacuuming in Standard Mode, slide switch to the desired setting.



- BARE FLOOR SETTING: Bare Floor/Small Area Rugs - Use this setting to clean bare floors and small area rugs.



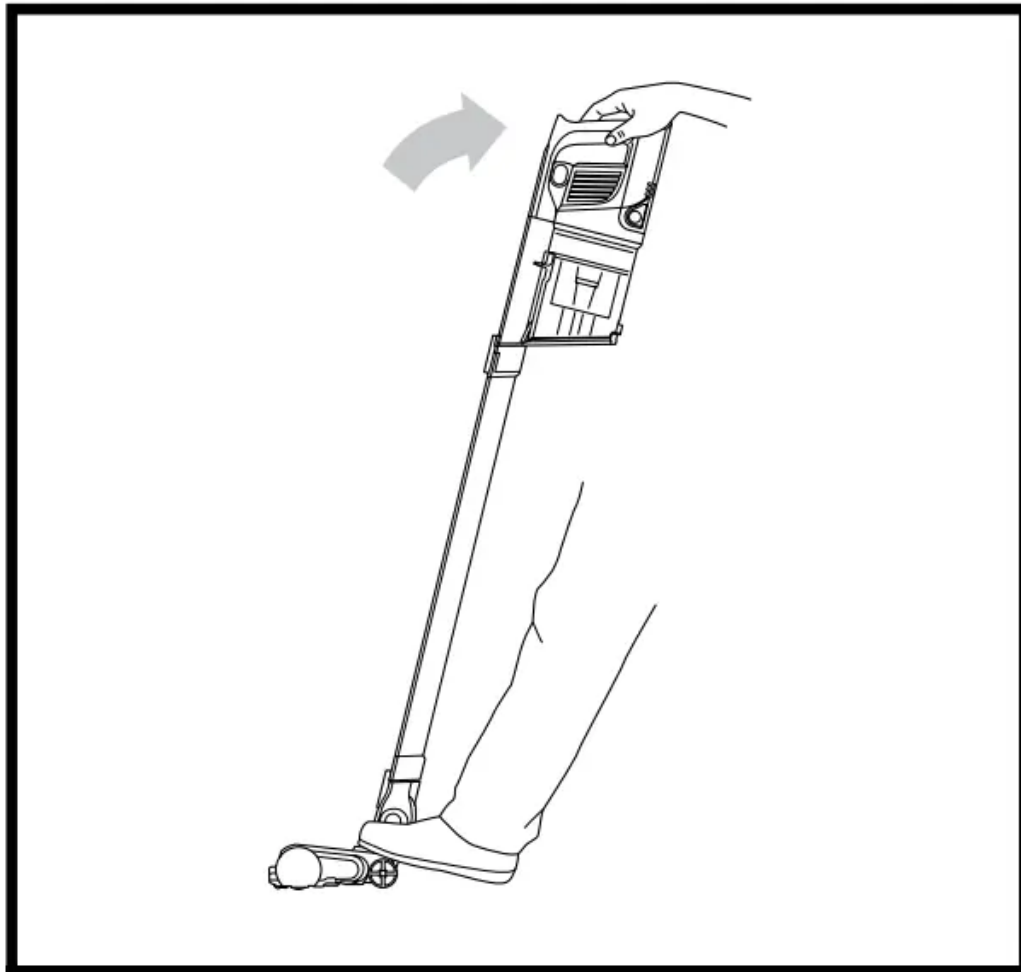
- CARPET SETTING: Carpet - Use this setting to pick up debris below the surface of your carpets.



- **BOOST MODE:** For an added boost in power, pull the Trigger on the handheld vacuum. Release it to return to standard power.

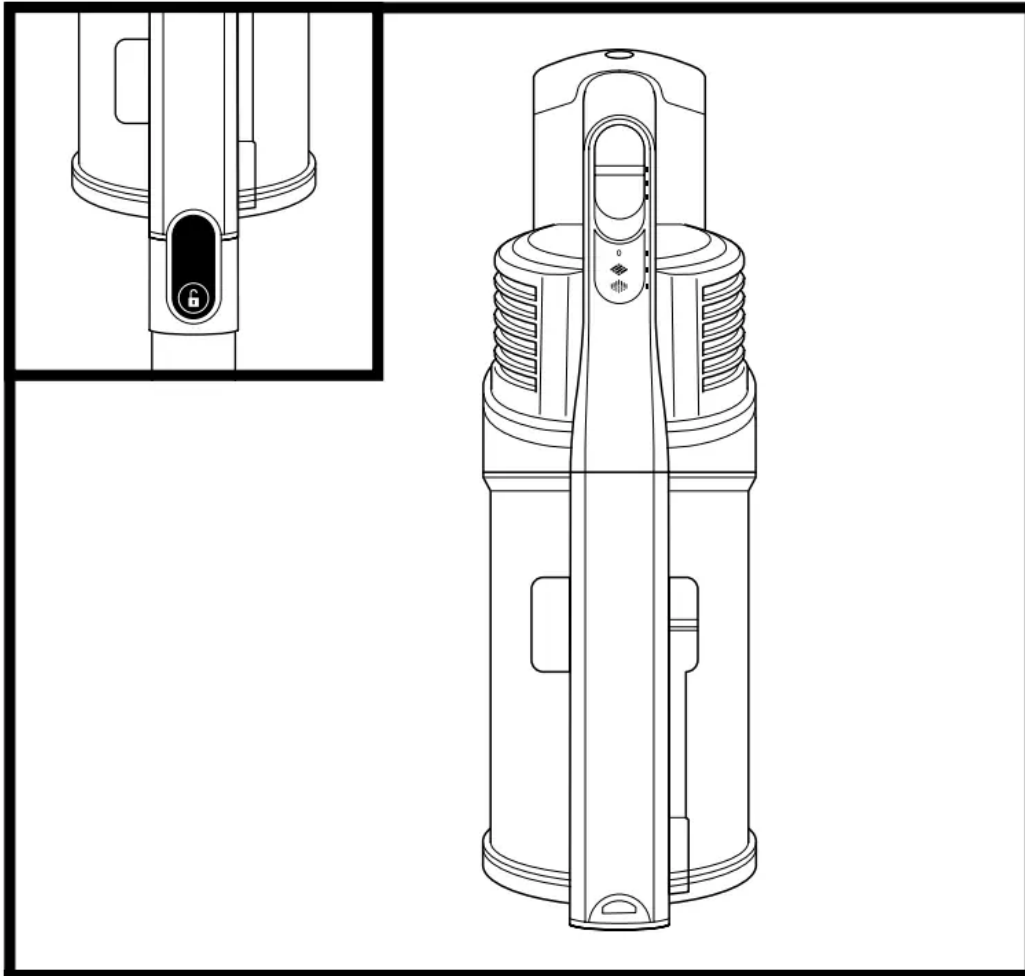
NOTE: For deep cleaning per ASTM F 608 (embedded dirt in carpets) please use setting II, Carpet. The Carpet setting should also be used when cleaning stuck-on dust and debris.

## CLEANING MODES

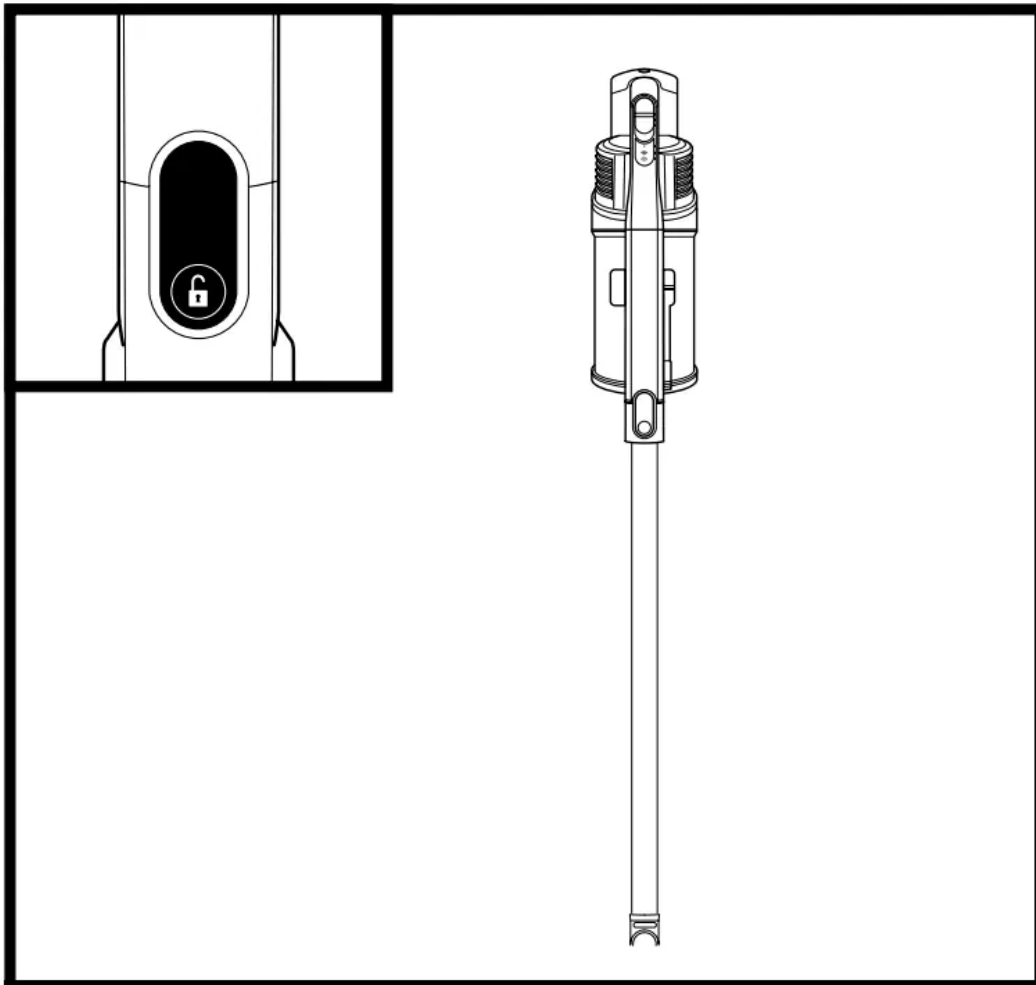


- UPRIGHT WITH STANDARD WAND: To clean floors, step on floor nozzle and tilt handheld vacuum back.

NOTE: Brushroll will only engage when the handheld vacuum and wand are tilted back.



- ABOVE-FLOOR HANDHELD: Press the wand release button and lift the handheld vacuum off the wand. Attach an accessory for great cleaning on stairs, furniture, and other above-floor areas.

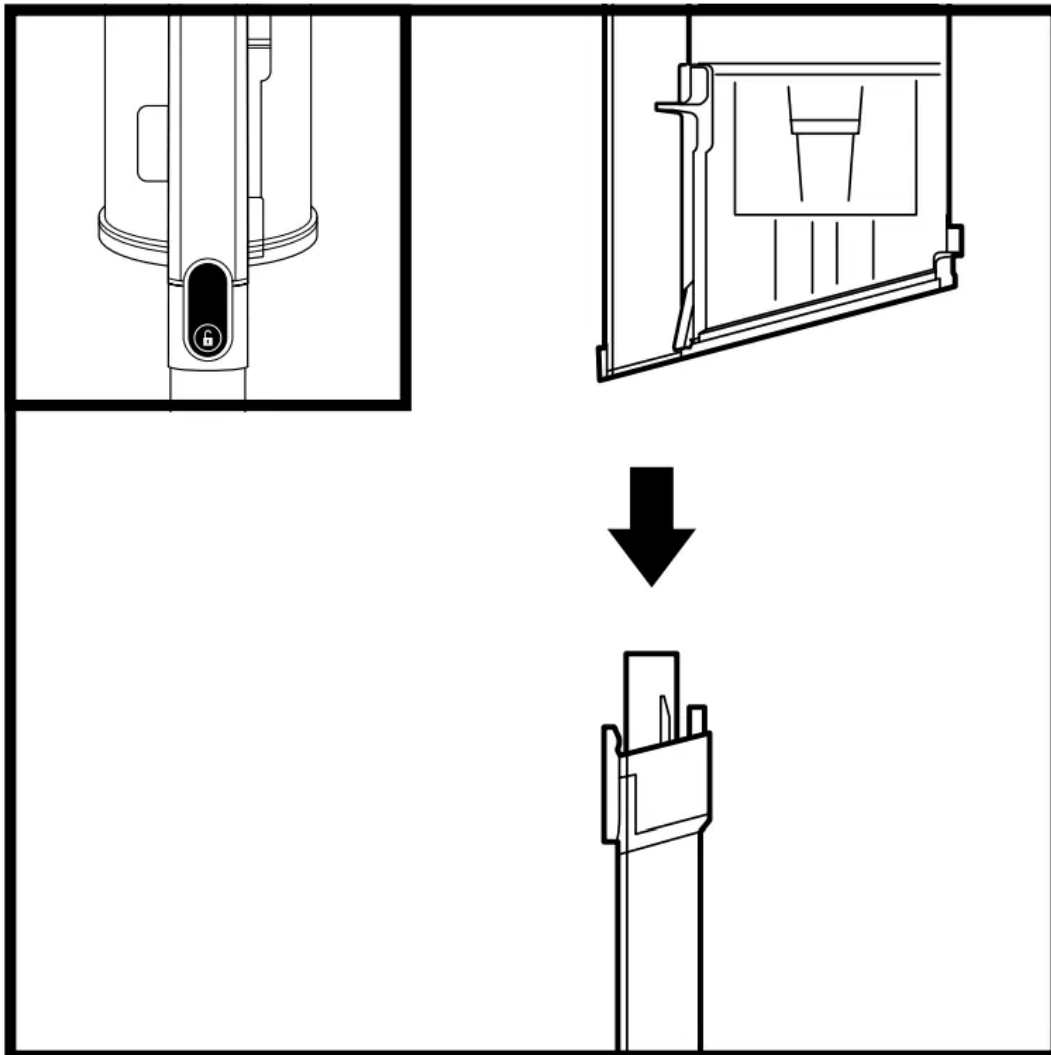


- ABOVE-FLOOR WITH WAND: Stand the vacuum upright and press the nozzle release button located at the bottom of the wand, above the nozzle. Lift wand to detach. Great for cleaning baseboards, ceiling fans, window sills, and other hard-to-access areas.

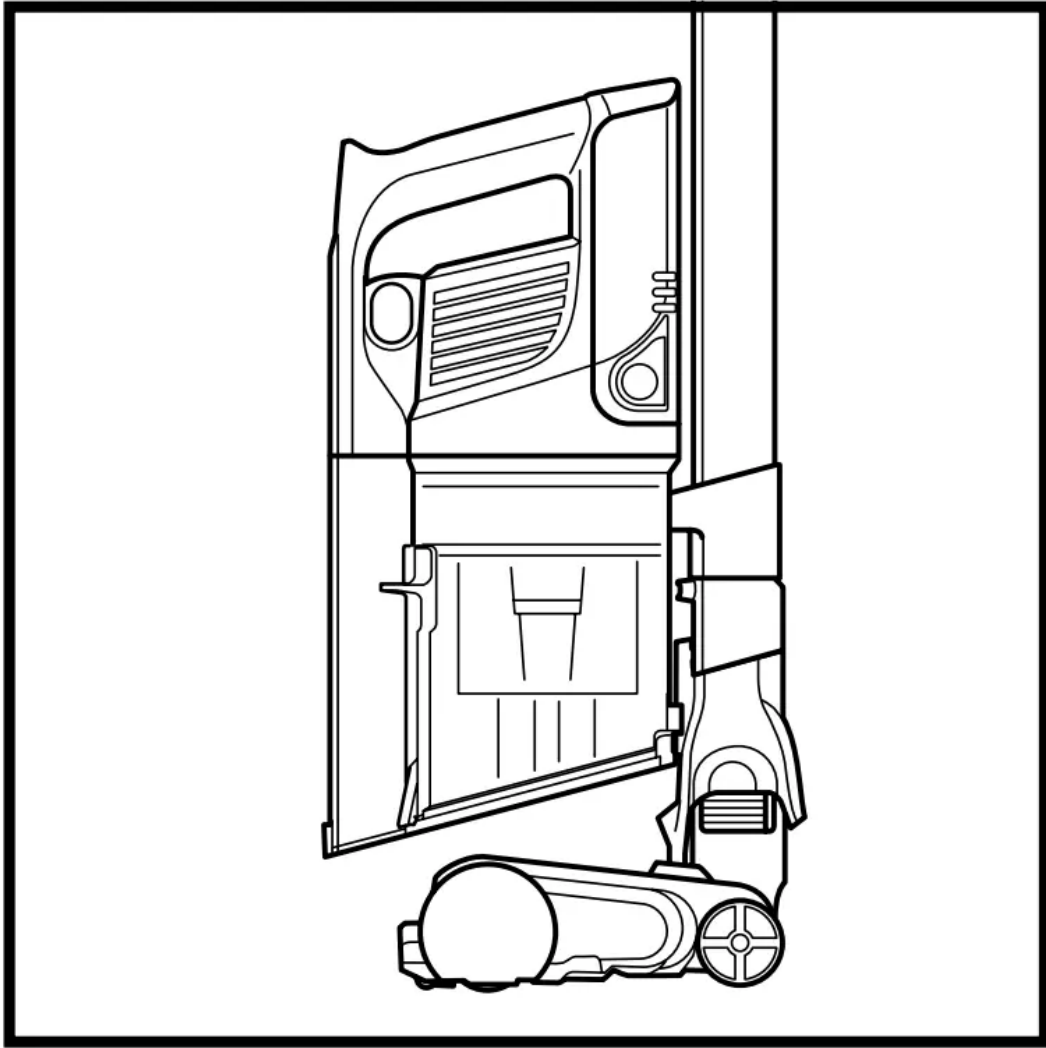
NOTE: All accessories are compatible with both the wand and the handheld vacuum.

## STORAGE

### ONBOARD STORAGE



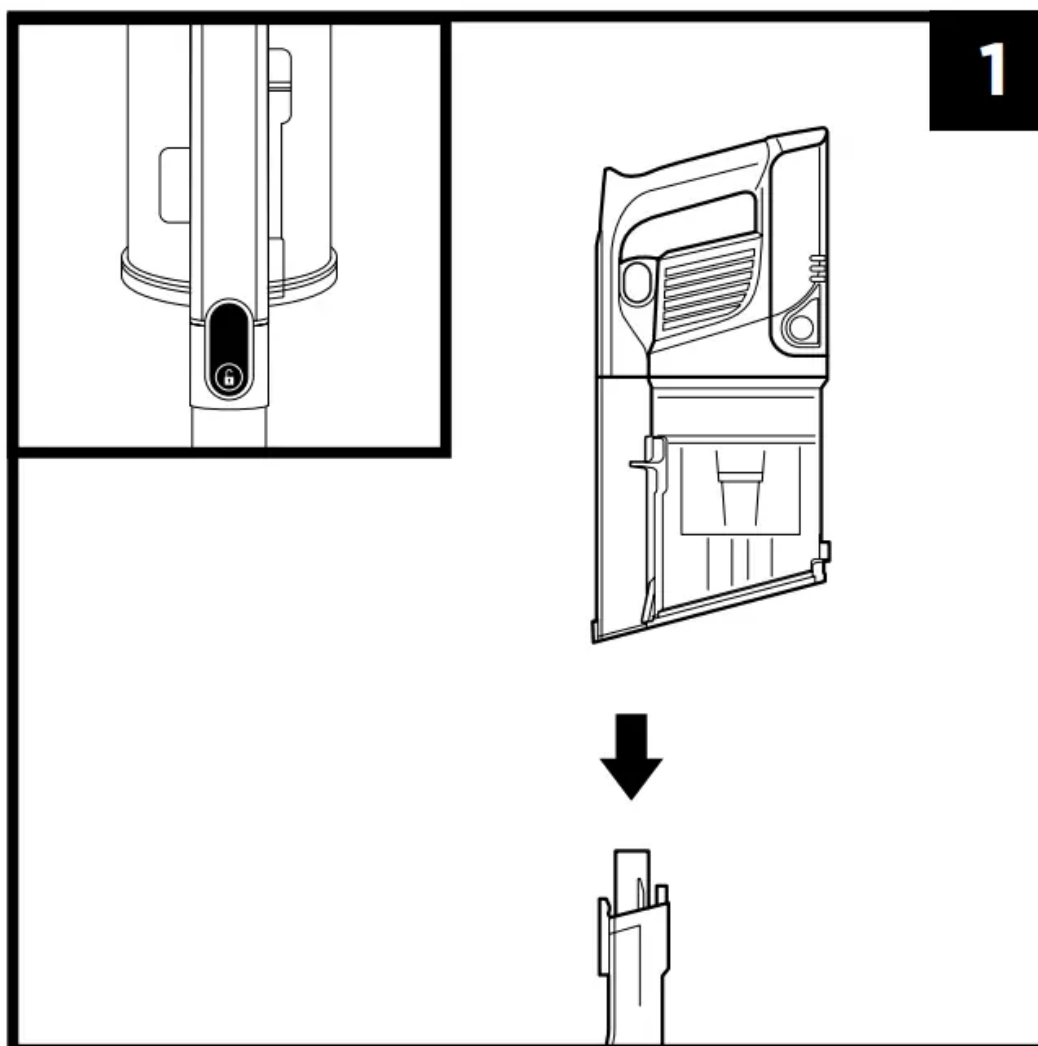
- Press the Wand Release button at the top of the wand to detach the handheld vacuum.



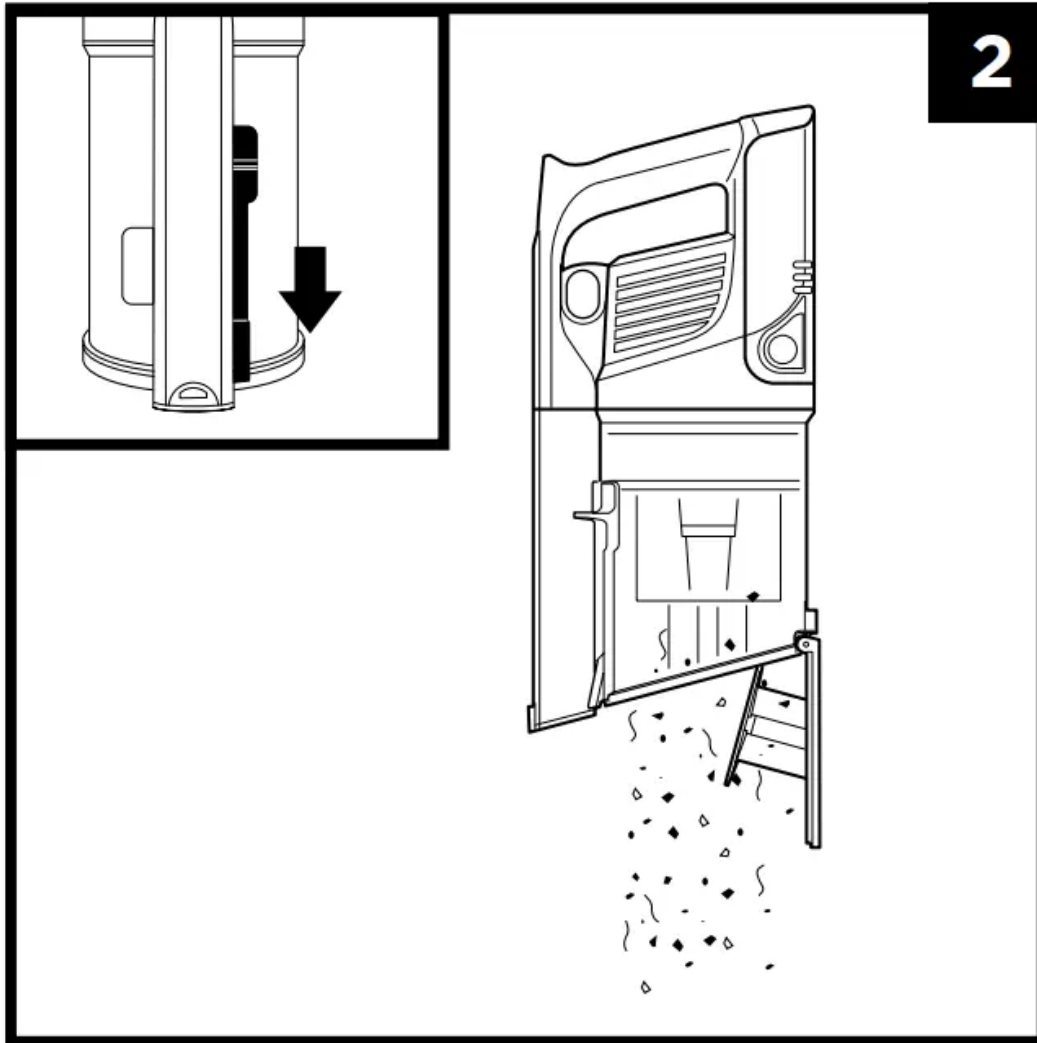
- Hang the handheld vacuum from the storage hook on the wand.

## MAINTAINING YOUR VACUUM

### EMPTYING THE DUST CUP

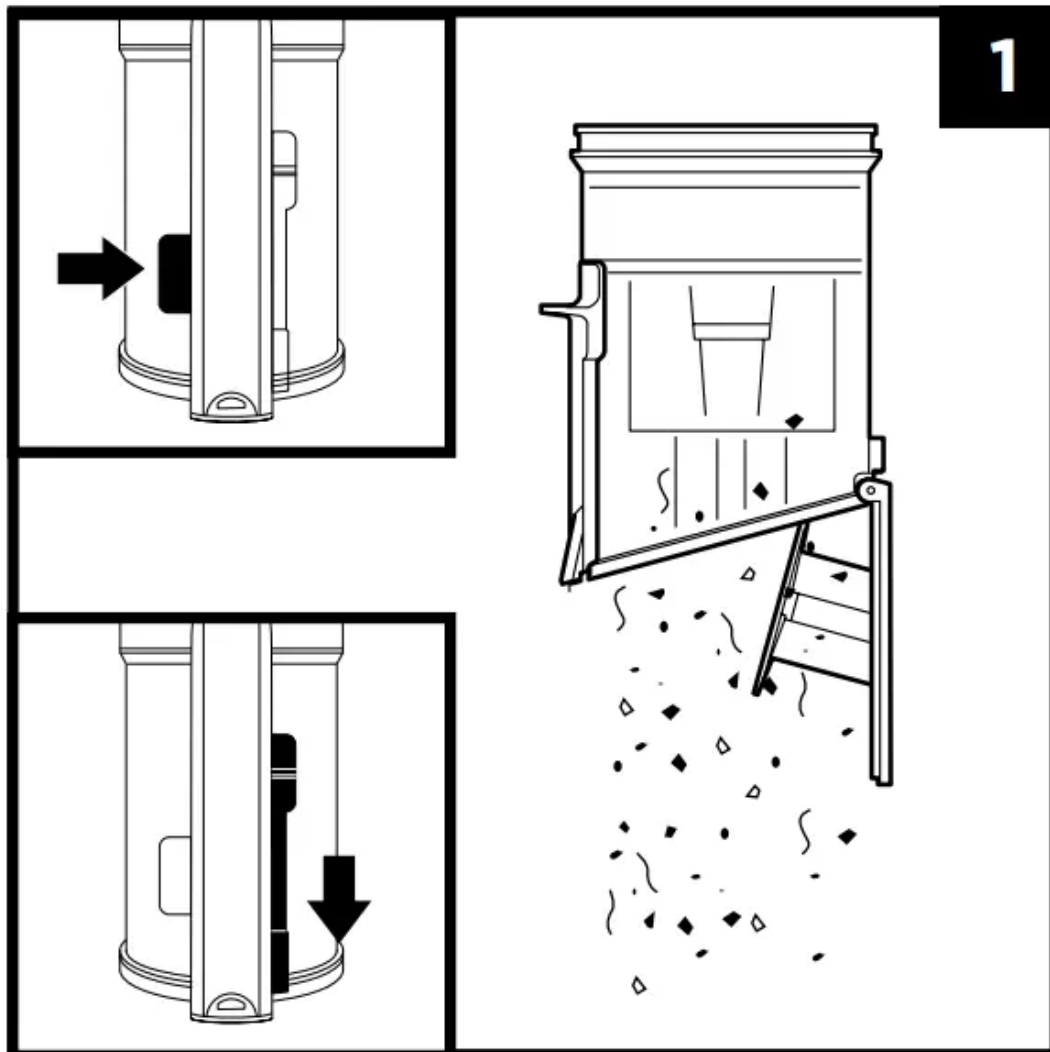


- Press the wand release button to disconnect the handheld vacuum from the wand.

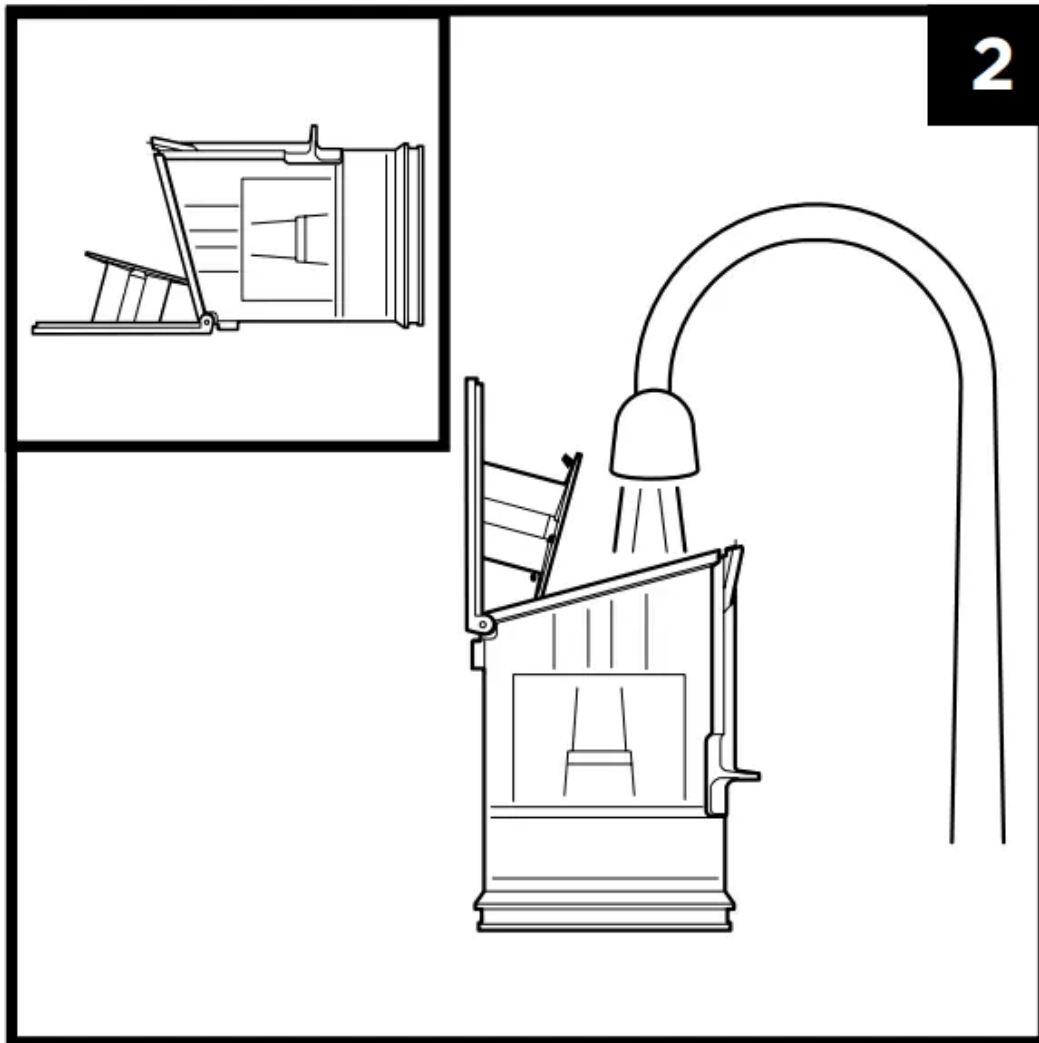


- To empty the Dust Cup while it is attached to the handheld vacuum, position the dust cup over a trash receptacle and slide the CleanTouch™ Lid Release slider forward.

## REMOVING AND CLEANING THE DUST CUP



- To remove the dust cup from the handheld vacuum, press the Dust Cup Release button near the handheld vacuum nozzle. Tilt the dust cup and lift off to remove.
- To empty dust and debris, hold the dust cup over the trash, then slide the Lid Release slider forward.



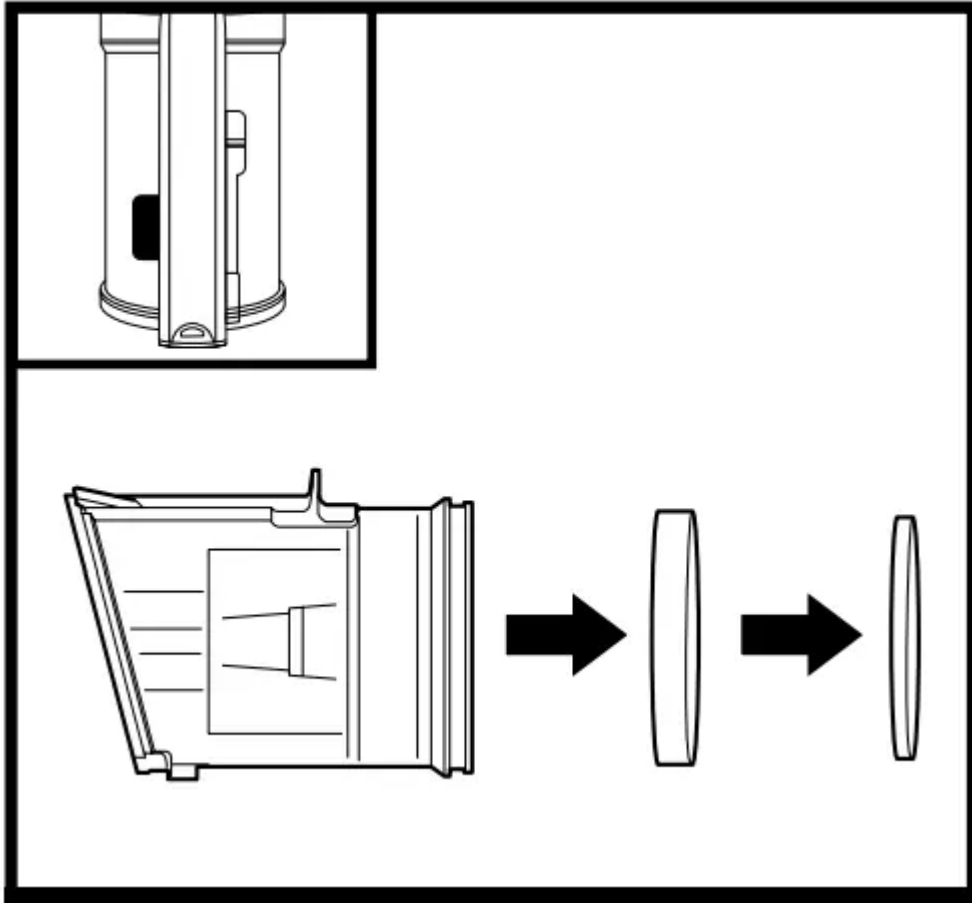
- To clean the interior of the dust cup, rinse it with water. Place it on its side to air-dry for at least 24 hours before reinstalling.

## CLEANING THE FILTERS

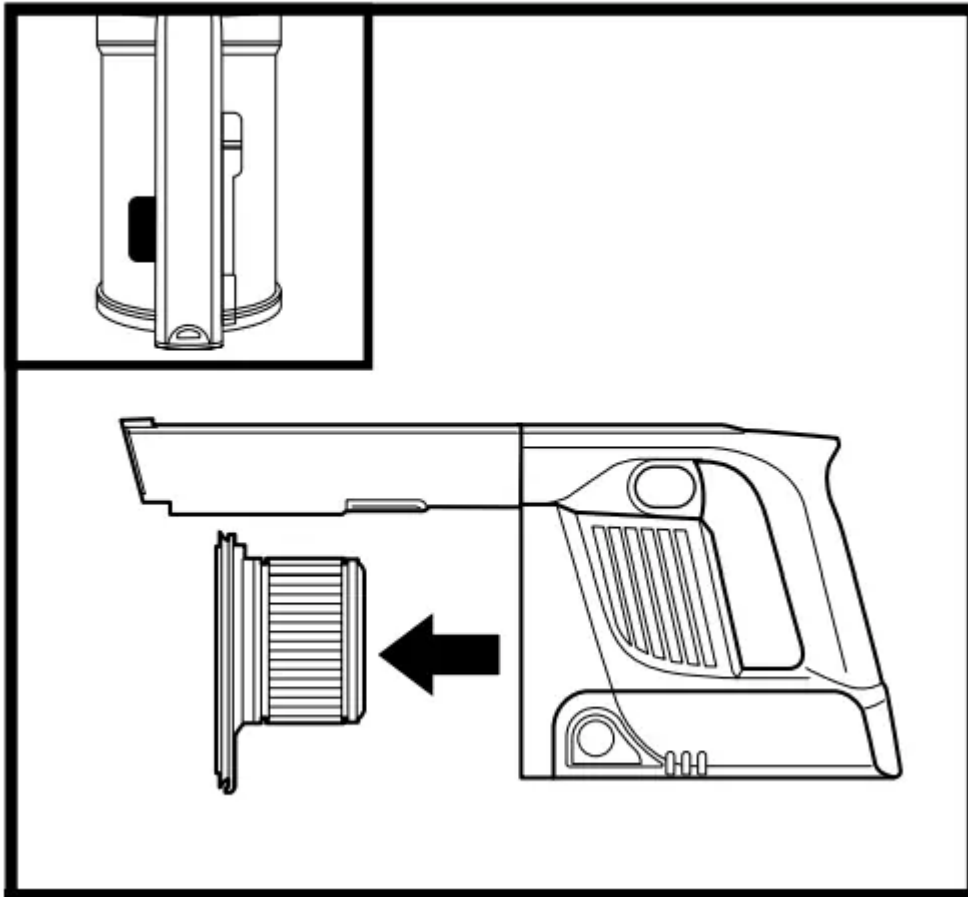
**Regularly rinse and replace the filters to maintain your vacuum's suction power.**

- To clean filters, rinse them with water only. Allow all filters to air-dry completely for at least 24 hours before reinstalling to prevent liquid from being drawn into electric parts. Clean the pre-motor filters at least once a month and post-motor filter at least once a year. Tap off loose dirt between washes when needed. More frequent cleaning may sometimes be necessary with heavy use.

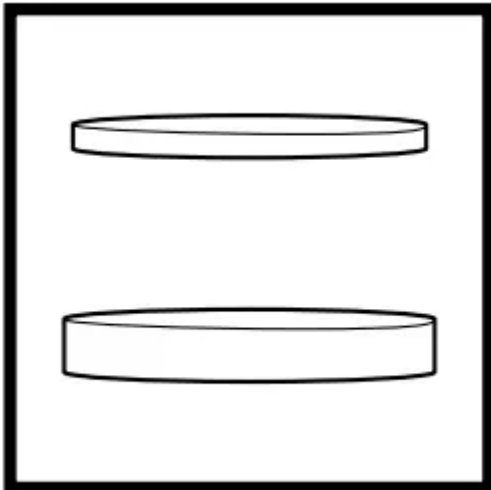
**IMPORTANT: DO NOT use soap when cleaning the filters. Use water only.**



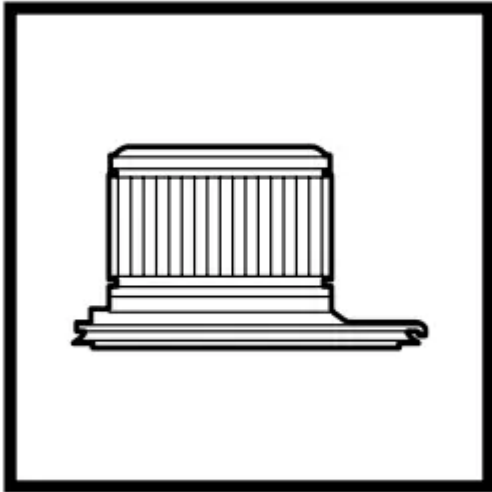
- **PRE-MOTOR FILTER:** Press the dust cup release button and remove the dust cup. Pull the foam and felt filters out of the back of the dust cup.



- **POST-MOTOR FILTER:** Remove the dust cup. Pull the post-motor filter out of the handheld vacuum.



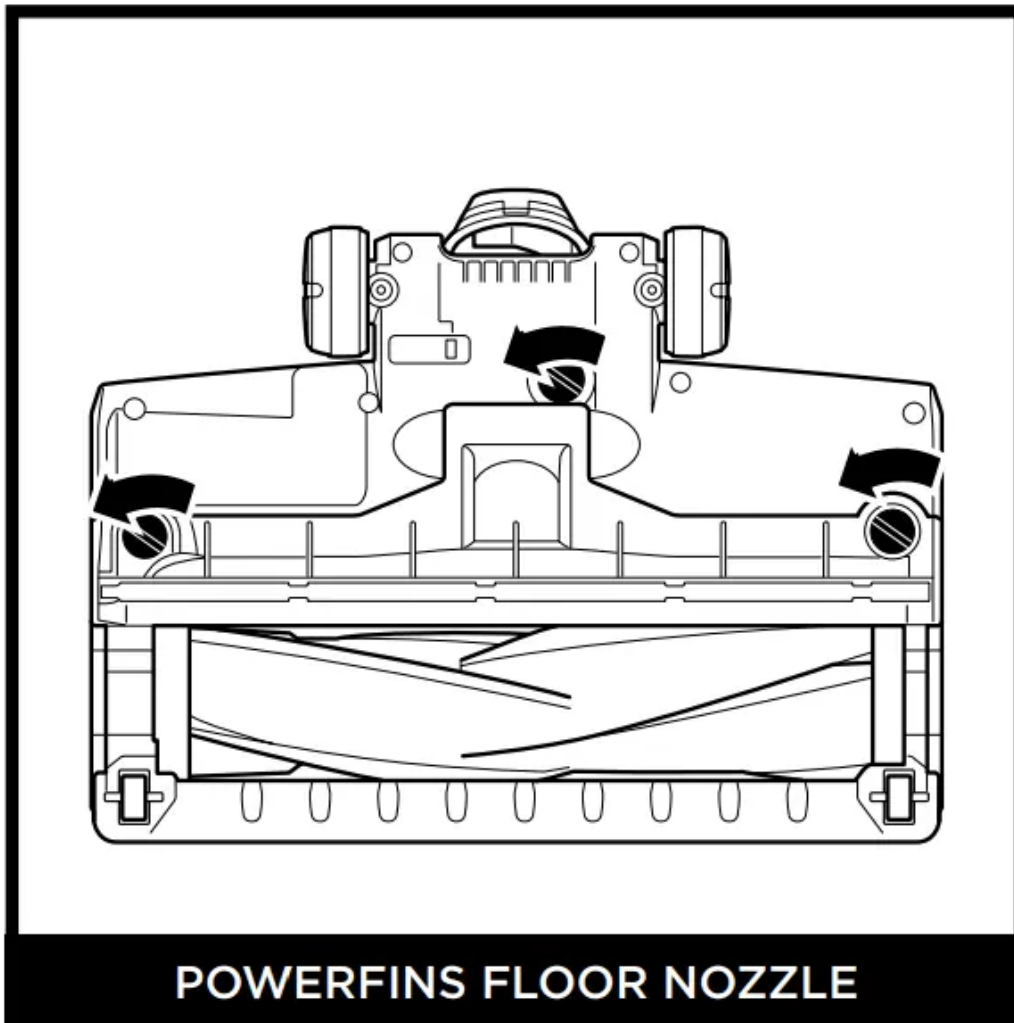
- **Pre-Motor Foam and Felt Filter Kit**



- Post-Motor HEPA Filter

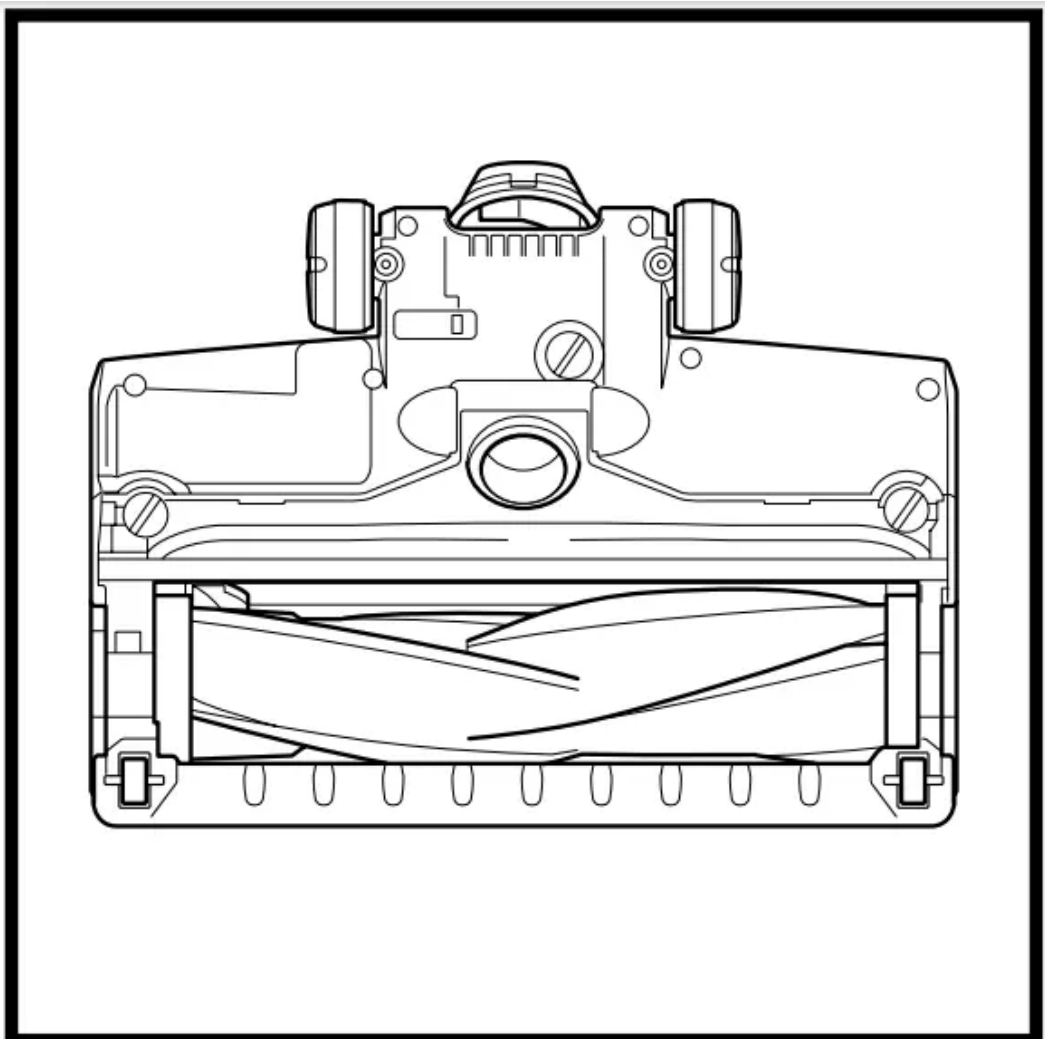
## **FLOOR NOZZLE**

- If you run over a hard or sharp object or notice a noise change while vacuuming, check for blockages or objects caught in the brushroll.



1. Turn off the vacuum.
2. Using a coin, turn locks counterclockwise to open, then lift off cover to access brushroll.
3. Clear airway of blockages.
4. Replace cover by sliding inserts into slots, then pressing down firmly on all sides before turning locks clockwise to close. When the locks are securely closed, they will click into place.

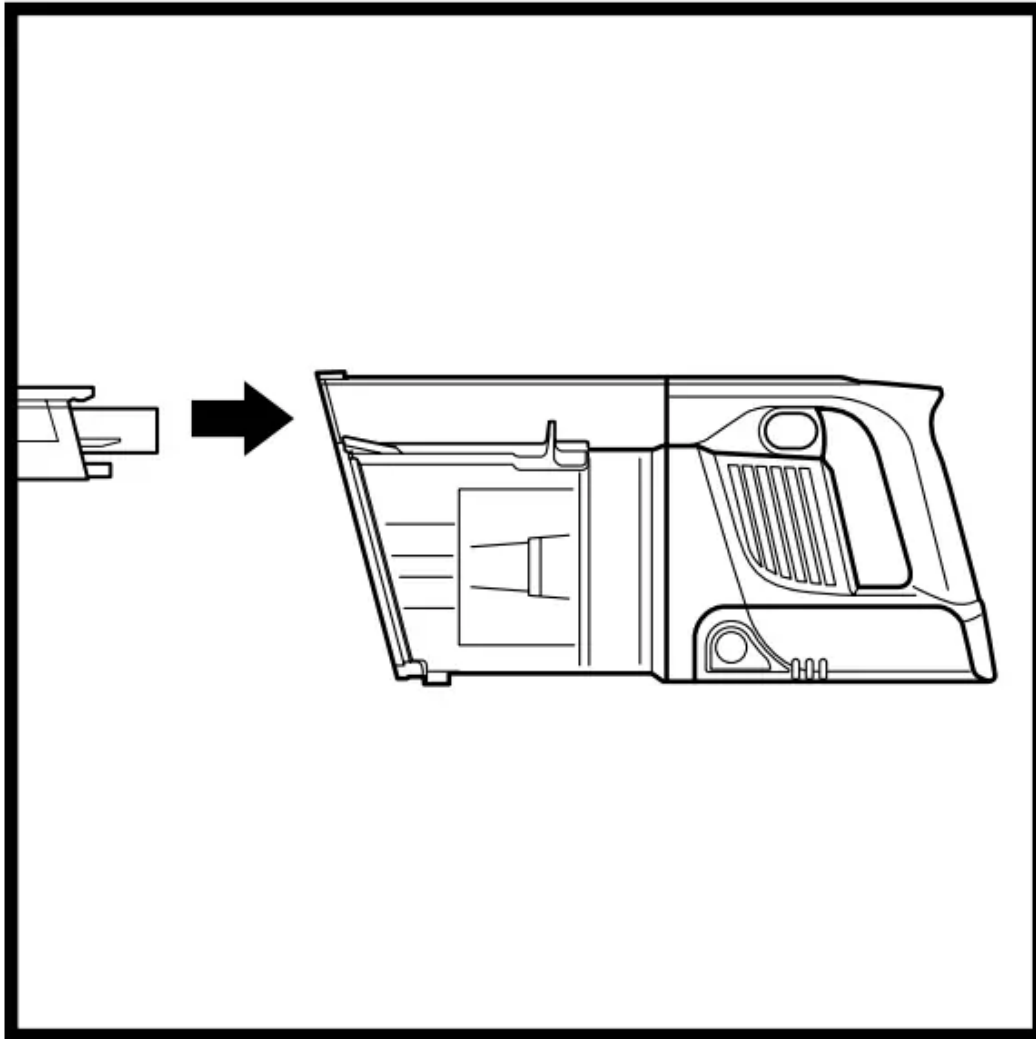
## CLEANING THE POWERFINS BRUSHROLL



- If any hair is wrapped around the brushroll, continue cleaning, using the Carpet setting on a bare floor surface, a low-pile carpet, or a small area rug. If some fibers remain after continued use, carefully remove them from the brushroll.

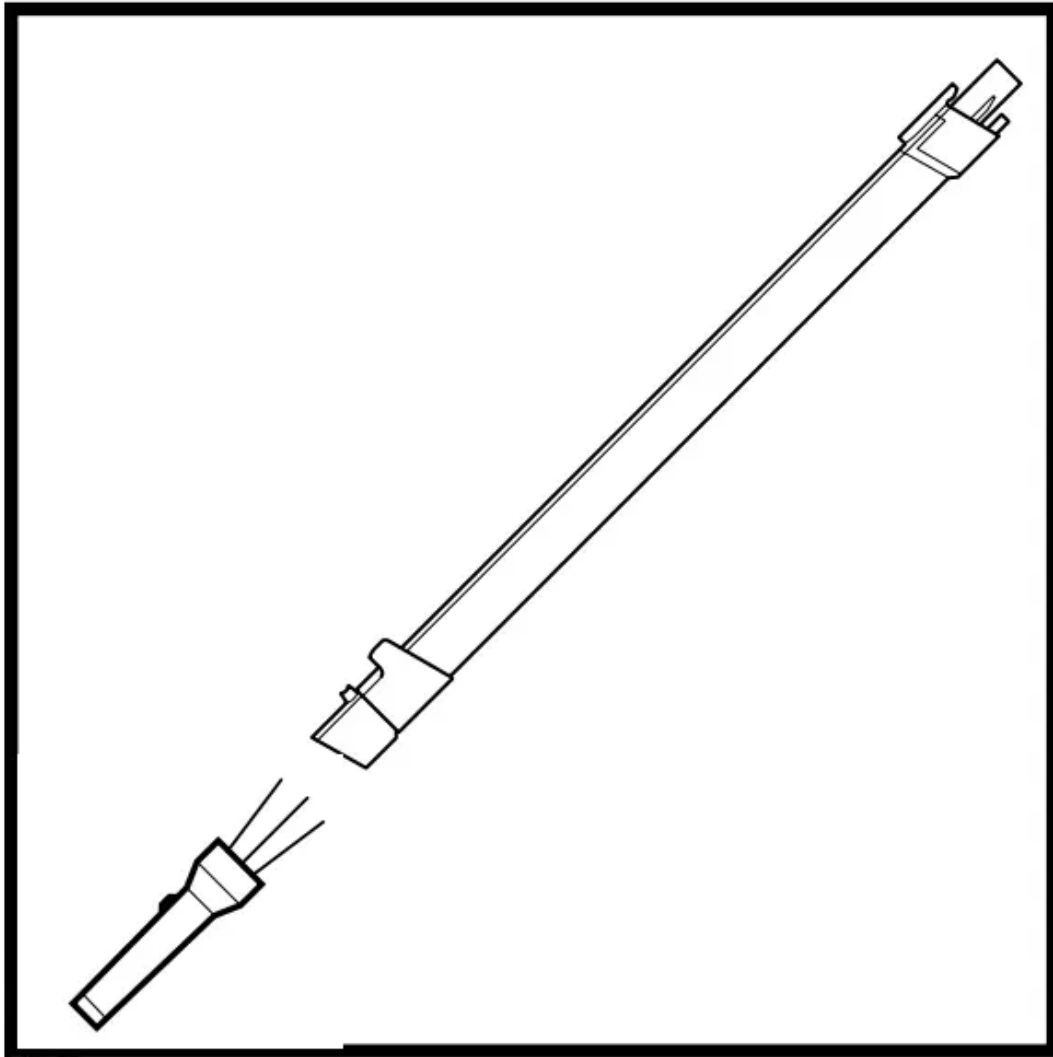
## CHECKING FOR BLOCKAGES

Checking for Blockages in the Handheld Vacuum:



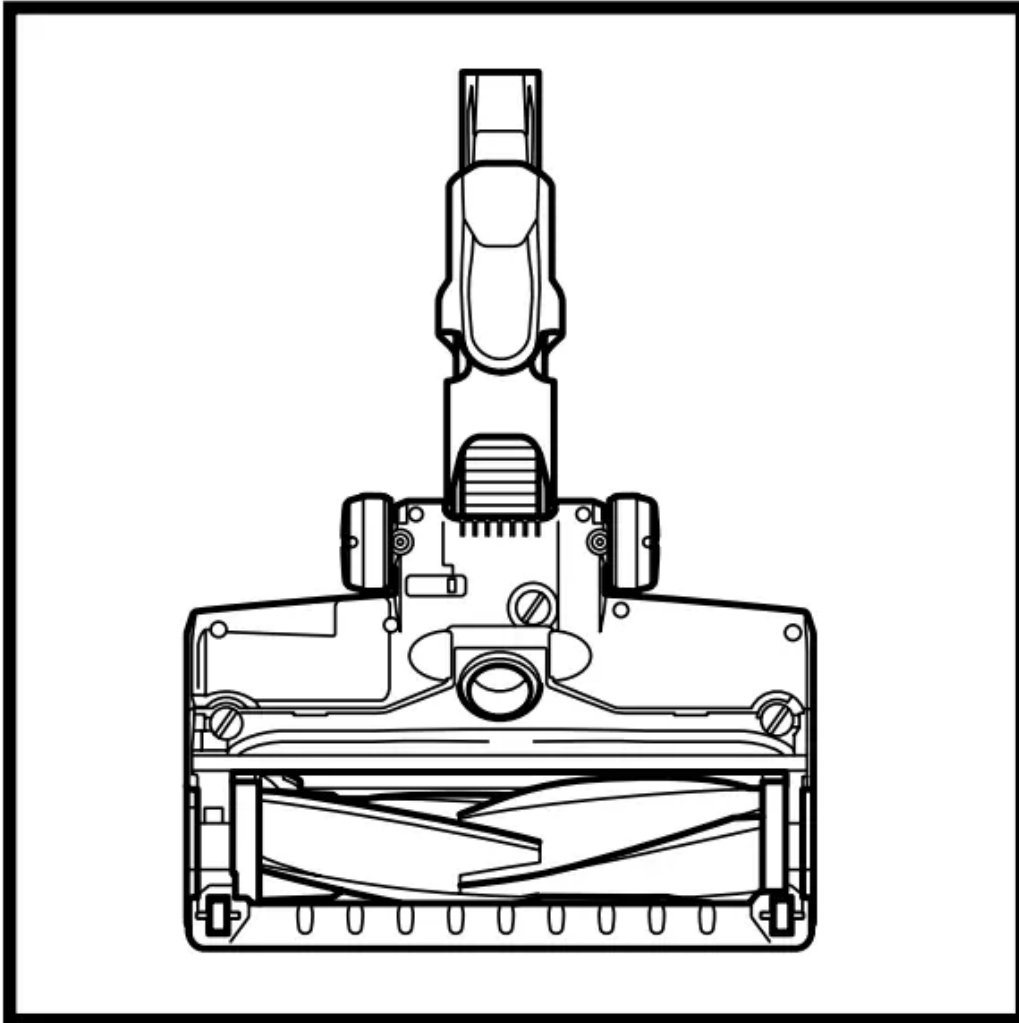
1. Turn off vacuum.
2. Remove the handheld vacuum from the wand.
3. Check all intake openings to the dust cup and remove any debris or blockage.

**Checking for Blockages in the Wand:**



1. Turn off vacuum.
2. Remove the handheld vacuum and floor nozzle.
3. Clear away any debris and blockages inside the wand.

**Checking for Blockages in the Floor Nozzle:**



1. Turn off vacuum
2. Detach the wand
3. Use the edge of a coin to open the three locks on the bottom of the floor nozzle
4. Remove the cover and tilt back the neck of the floor nozzle
5. Check the opening and remove any debris or blockages
6. Replace cover by firmly pressing down on all sides and turning the locks clockwise to close

## TROUBLESHOOTING

**WARNING:** To reduce the risk of shock and unintended operation, turn off power and remove the battery before servicing.

1. Vacuum is not picking up debris. No suction or light suction. Nozzle light is red. (Refer to Checking for Blockages section for more information.)
  - Dust cup may be full; empty dust cup.

- Check floor nozzle for blockages; clear blockages if required.
  - Remove any string, carpet fibers, or hair that may be wrapped around the brushroll.
  - Check connection between handheld vacuum and wand for blockages; clear blockages if required.
  - Check clog access in wand for any blockages and clear any debris.
  - Check filters to see if they need cleaning. Follow instructions for rinsing and completely air-drying the filters before reinserting in the vacuum.
2. Vacuum lifts area rugs.
- Make sure you are not engaging Boost mode. Take care when vacuuming area rugs or rugs with delicately sewn edges.
  - Turn off the unit to disengage the brushroll and restart with the power/selector switch.
3. Brushroll does not spin.
- Immediately turn off the vacuum. Remove any blockages before turning the vacuum back on. Make sure the handheld vacuum is tilted back far enough for the brushroll to engage while in use.
  - If the floor nozzle has headlights and they are not illuminated, there is a connection issue between the handheld vacuum, wand, and nozzle. Try disconnecting and reattaching the pieces.
4. Vacuum turns off on its own.

There are several possible reasons for the vacuum turning off on its own, including blockages, battery issues, and overheating. If vacuum turns off on its own, perform the following steps:

1. Turn on the vacuum and check the battery indicator lights located on the handheld vacuum. If recharging is needed, plug in while the power/selector switch is in the off position.
2. Empty dust cup and clean filters (See Emptying the Dust Cup and Cleaning the Filters sections).
3. Check wand, accessories, and inlet openings and remove any blockages.
4. Allow unit and battery to cool for at least 45 minutes, until they return to room temperature.
5. Restart with power/selector switch.

NOTE: If vacuum still does not operate properly, contact Customer Service at 1-800-798-7398.

5. Battery Indicator Lights on handheld vacuum are flashing.
- Bottom LED light is flashing (Fig. A): Battery needs to be charged.
  - Top and bottom LED lights are flashing (Fig. B): Battery temperature is not optimal, so charging is temporarily paused. Leave battery plugged in and charging will resume soon.

- If top 2 or bottom 2 LED lights are flashing (Fig. C, Fig. D), call Customer Service at 1-800-798-7398.



Fig. A

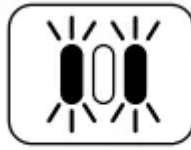


Fig. B

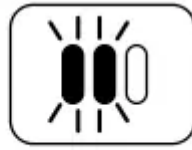


Fig. C



Fig. D

## ADDITIONAL ACCESSORIES AVAILABLE ON SHARKACCESSORIES.COM

**A**



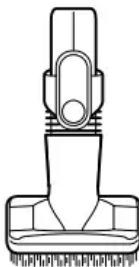
**B**



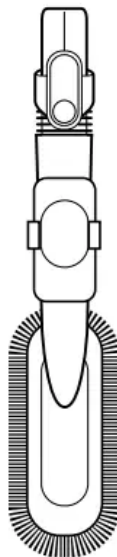
**C**



**D**

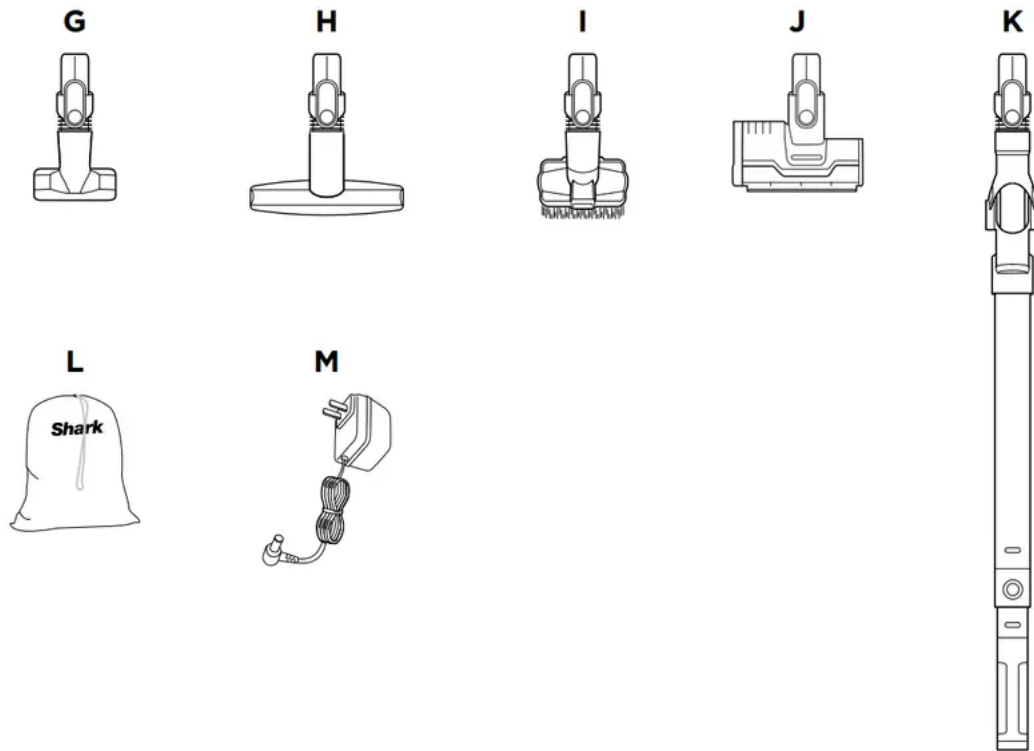


**E**



**F**





- A. Crevice Tool
- B. 18" Flexi Crevice Tool
- C. Duster Crevice Tool
- D. Dusting Brush
- E. Multi-Angle Dusting Brush
- F. Anti-Allergen Dust Brush
- G. Upholstery Tool
- H. Wide Upholstery Tool
- I. Pet Multi-Tool
- J. Deep-Cleaning Motorized Pet Tool
- K. MultiFLEX® Under-Appliance Wand
- L. Accessory Bag
- M. Li-Ion Charger

NOTE: Not all accessories come with all units. For a list of the accessories included with this model, see the enclosed Quick Start Guide. To order additional accessories, visit [sharkaccessories.com](http://sharkaccessories.com).

**Warning**



This content is compiled from multiple sources and is provided for reference purposes only. It may not be complete or fully applicable to all situations. If you are unable to resolve your issue, please contact the product manufacturer or an authorized service provider for official support.

---

Document generated by [ManualsFile](#)