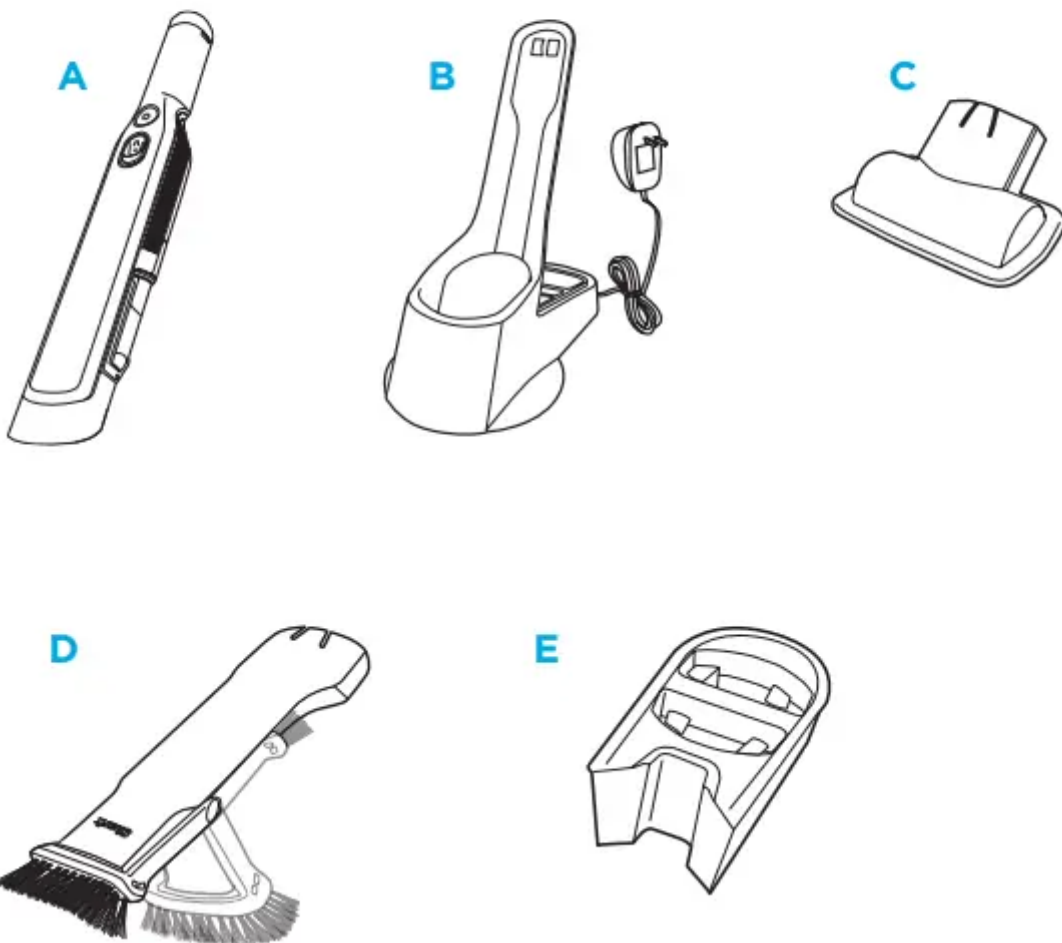


WHAT'S INSIDE

- A** Shark ION Power Handheld
- B** ION Charging Dock
- C** Multi-Surface Pet Tool
- D** Duster Crevice Tool
- E** Onboard Accessory Storage (double pocket)



CHARGING THE BATTERY

- Prior to first use, the lithium-ion battery must be charged completely, even if it comes with a partial charge.
- Place the Shark ION Power Handheld onto the ION Charging Dock with the nozzle in the cradle.

- Plug the charging dock into a wall outlet.



NOTE: During first use, discharge fully to properly condition the battery. It takes approximately 2.5 hours to charge the battery completely

In Use



Solid blue

Low Battery



Blinking

Charging



Fades in
and out

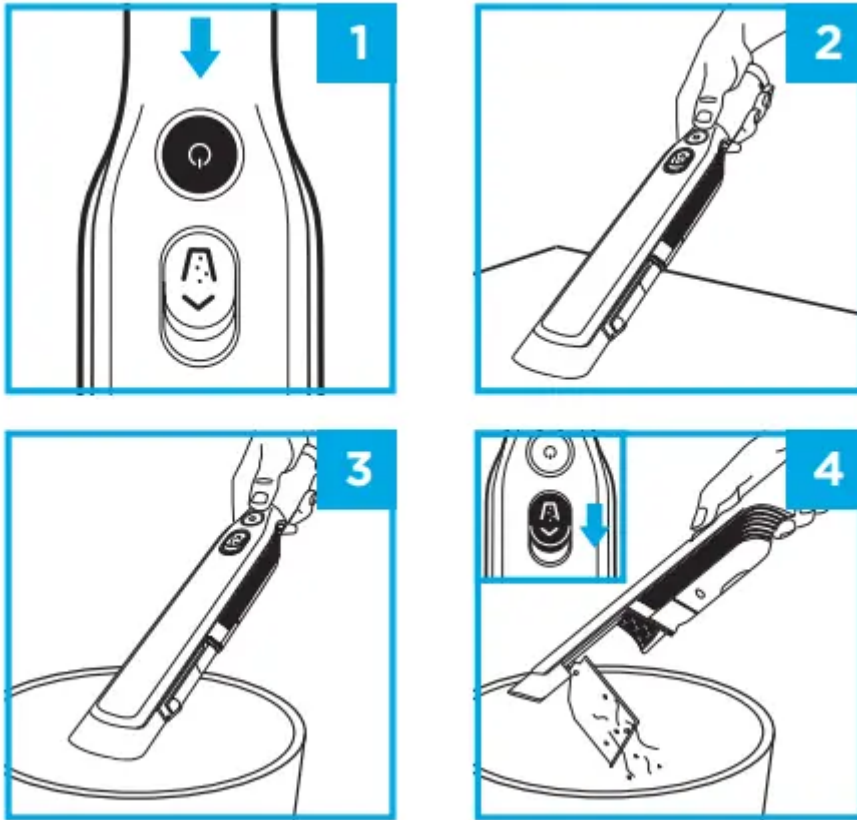
Charged



Dim



USING YOUR SHARK ION POWER HANDHELD

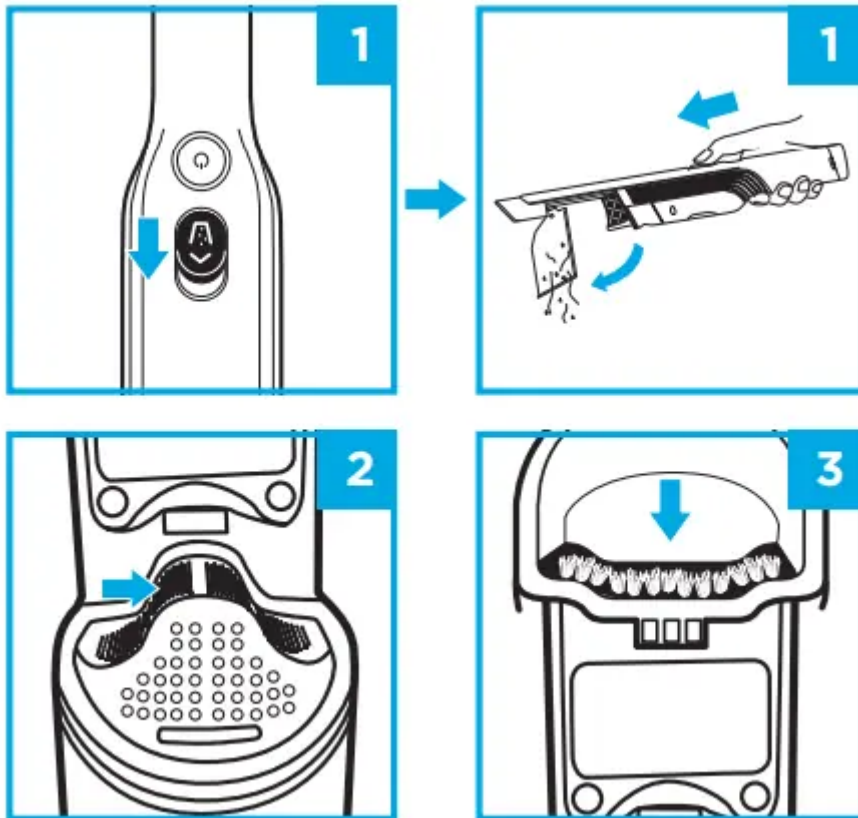


1. Press Power button.
2. Run the nozzle over the surface to be cleaned.
3. Hold your ION Power Handheld over the trash.
4. Slide dust cup button forward to release debris

NOTE: For maintenance, see reverse side.

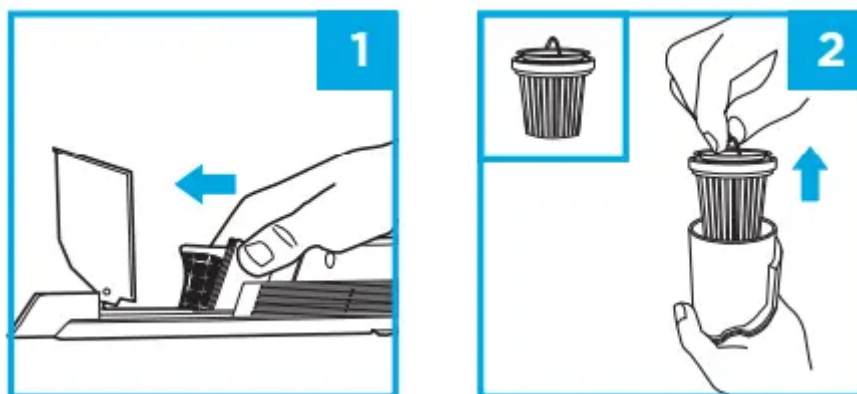
MAINTENANCE

- EMPTYING THE DUST CUP



1. With the power off, slide the Open Dust Cup button forward, and the dust cup will swing open.
2. Tap dust cup filter screen lightly to knock off dust and debris.
3. Wipe dust cup bristle lightly with dry cloth to remove dust and dirt.

• **CLEANING THE FILTER**



1. With the dust cup open and the power off, pinch from both sides of the filter housing and slide forward to remove.

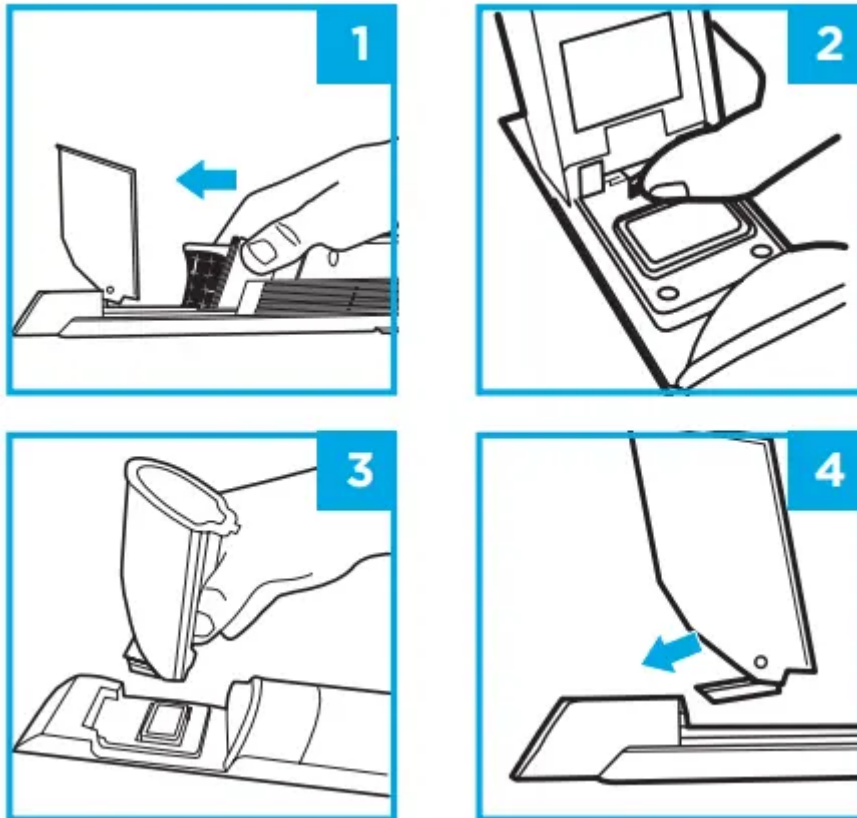
2. Lift the fabric filter by the metal ring to remove it from the housing.

To clean the fabric filter, tap to remove dust and large particles.

To deep clean, hand-wash only with water and let air-dry for 24 hours before reinstalling.

To clean the filter housing, make sure filter is removed, then hand-wash with water only.

• **CLEANING THE DUST CUP**



1. With the dust cup open and the power off, slide the filter housing forward to remove.

2. With the dust cup open, push the release but.

3. While pressing tab, lift off the dust cup, then hand-wash with soap and water only. Let parts air-dry fully before reinstalling.

4. To reinstall, slide the tab on the dust cup into the slot on the bottom of the nozzle until it clicks into place.

Do not wash any parts of this vacuum or its accessories in a dishwasher.

TROUBLESHOOTING AND ERROR CODES

LIGHT INDICATOR & WHAT IT MEANS

- Light blinking blue
 - Low battery.
- Light blinks blue twice, then pauses
 - Blockage. Turn off power and remove blockage, then turn power back on.

- Solid blue light
 - Power is on.
- Blue light fades in and out steadily
 - Unit is charging.
- Dim blue light
 - Unit is fully charged.
- No light
 - Power is off, or unit needs recharge.

FAQS

The Shark ION™ Power Handheld will not operate.

- The battery needs to be recharged.
- Try using a different electrical outlet to charge.
- The battery is damaged and needs to be replaced.

The Shark ION PowerHandheld will not pick up debris or suction is weak.

- The dust cup is full. Empty the dust cup.
- The fabric filter needs cleaning or replacement. Clean or replace the fabric filter.
- The battery needs to be recharged.
- The filter screen is clogged and needs cleaning. Open dust cup and clean filter screen.

Dust is escaping from the Shark ION Power Handheld.

- The fabric filter is not installed correctly. Remove filter, then reinstall.
- The dust cup fabric filter has a hole or a puncture and needs to be replaced.
- The dust cup is not installed correctly. Remove dust cup, then reinstall.

I dropped my unit and the dust cup fell off.

- To reinstall, slide the tab on the dust cup into the slot on the bottom of the nozzle until it clicks into place.

TECHNICAL SPECIFICATIONS

- Battery Voltage: 10.8V
- Motor Watts: 120W
- Amps: 11.1A
- Shark ION W1 Cord-Free Handheld Vacuum charger part number: 1076FI200



IMPORTANT SAFETY INSTRUCTIONS

POWER SUPPLY, CHARGING DOCK, AND VACUUM CONTAIN ELECTRICAL CONNECTIONS:

1. There are NO serviceable parts.
2. DO NOT use to vacuum any liquids.
3. DO NOT immerse in water or other liquids.
4. If vacuum is damaged, discontinue use.
5. To avoid fire, explosion, or injury, inspect vacuum and charging dock for any damage before use. DO NOT use damaged vacuum or charging dock.
6. DO NOT use outdoors or on wet surfaces. Use only on dry surfaces.
7. If vacuum cleaner is not working as it should, or has been dropped, damaged, left outdoors, or immersed in water, return it to SharkNinja Operating LLC for examination, repair, or adjustment.
8. DO NOT handle charger or vacuum cleaner with wet hands.
9. DO NOT leave vacuum cleaner unattended while powered on.
10. Keep vacuum away from heated surfaces.
11. Always turn off vacuum before connecting charging dock.
12. Use only Shark® chargers and batteries. Other types of batteries may burst, causing injury and damage.
13. Use charging dock on flat and stable surfaces only.
14. DO NOT incinerate appliance, even if it is severely damaged, as lithium-ion battery may explode in a fire

GENERAL USE

1. DO NOT carry the charger by the cord or yank to disconnect from an outlet; instead grasp the plug and pull to disconnect.
2. Keep charger cord away from heated surfaces.
3. Use only as described in this manual.
4. Keep your work area well lit.
5. To avoid unintentional starting, always turn off the vacuum cleaner before picking it up or carrying it, and before attaching or detaching the charger, dust cup, filter, or any accessories.
6. DO NOT put any objects into openings.
7. DO NOT use if any opening is blocked; keep free of dust, lint, hair, or anything that may reduce airflow.

8. DO NOT allow young children to operate the appliance or use as a toy. Close supervision is necessary when any appliance is used near children.
9. DO NOT use without dust cup and filter in place.
10. DO NOT use if airflow is restricted; if the air paths become blocked, turn off the vacuum cleaner. Clear all obstructions and power on again.
11. Keep nozzle away from hair, face, fingers, uncovered feet, or loose clothing.
12. Only use manufacturer's recommended attachments.
13. DO NOT charge at temperatures below 50°F (10°C) or above 104°F (40°C). Charging improperly or at temperatures outside of the specified range may damage the battery and increase the risk of fire.
14. Store the appliance indoors. DO NOT use or store it below 37.4°F (3°C). Ensure the appliance is at room temperature before operating.

DUST CUP/FILTERS/ACCESSORIES

Before turning on the vacuum:

1. Make sure filter is thoroughly dry after routine cleaning.
2. Make sure dust cup and filter are in place after routine maintenance.
3. Make sure accessories are free of blockages and keep openings away from face and body.
4. Use only Shark® brand filters and accessories. Using other brands will void warranty

GENERAL CLEANING

1. DO NOT vacuum up hard or sharp objects such as glass, nails, screws, or coins that could damage the vacuum cleaner.
2. DO NOT vacuum up drywall dust, fireplace ash, or embers.
3. DO NOT use as an attachment to power tools for dust collection.
4. DO NOT vacuum up smoking or burning objects such as hot coals, cigarette butts, or matches.
5. DO NOT vacuum up flammable or combustible materials (e.g., lighter fluid, gasoline, or kerosene) or use vacuum in areas where they may be present.
6. DO NOT vacuum up toxic solutions (e.g., chlorine bleach, ammonia, or drain cleaner).
7. DO NOT use in an enclosed space where vapors are present from paint, paint thinner, moth-proofing substances, flammable dust, or other explosive or toxic materials.
8. DO NOT immerse vacuum cleaner in water or other liquids.
9. Use extra care when cleaning on stairs.

LITHIUM-ION BATTERY

1. The battery is the power source for the appliance. DO NOT carry the appliance with your finger on the power button. DO NOT charge appliance with the power on.
2. Use only the included charging dock to charge. Use of incorrect charger may create a risk of fire.
3. Use appliance only with included lithium-ion battery. Use of any other battery may create a risk of injury and fire.
4. Under abusive conditions, liquid may be ejected from the battery. Avoid contact with liquid, as it may cause irritation or burns. If contact occurs, flush with water. If liquid contacts eyes, seek medical help.
5. Store the appliance indoors. To maintain battery life, DO NOT use or store battery at temperatures below 37.4°F (3°C) or above 104°F (40°C).
6. DO NOT expose appliance to fire or temperature above 266°F (130°C) as it may cause explosion.
7. There are NO serviceable parts. To ensure safety, DO NOT modify or attempt to repair the appliance.

Warning

This content is compiled from multiple sources and is provided for reference purposes only. It may not be complete or fully applicable to all situations. If you are unable to resolve your issue, please contact the product manufacturer or an authorized service provider for official support.