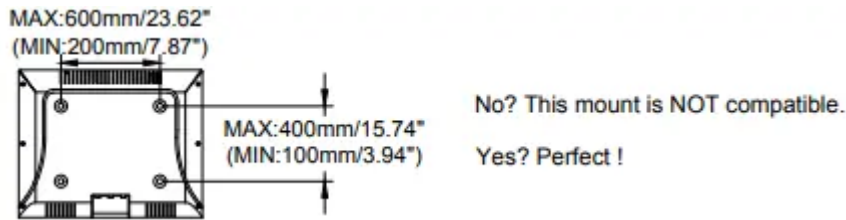


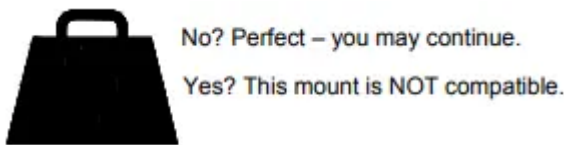
User manual TV Wall Mount

Before getting started, let's check below lists to make sure it is just right for you!

1. Check your TV VESA is within Min and Max size

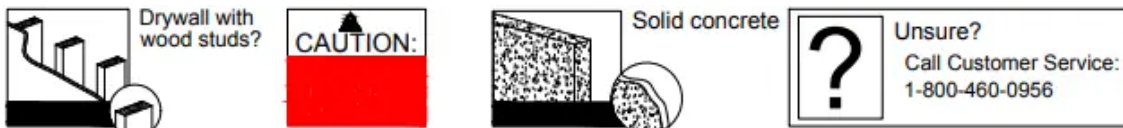


2. Does your TV (including accessories) weigh MORE than 132 lbs. (60 kg)?



CAUTION: DO NOT exceed the maximum weight indicated. This mounting system is intended for use only with the maximum weights indicated. Use with products heavier than the maximum weights indicated may result in collapse of the mount and its accessories, causing possible injury.

3. What is your wall made of?



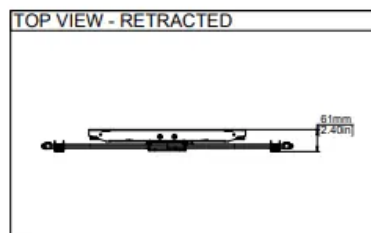
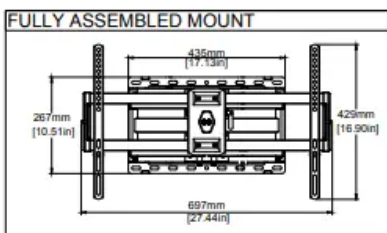
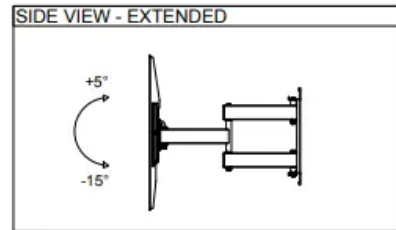
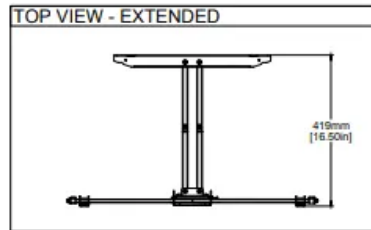
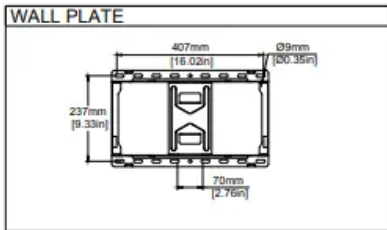
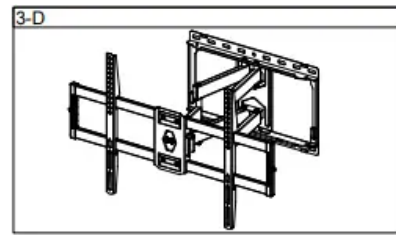
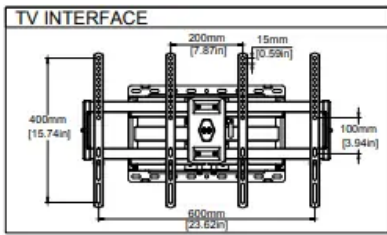
4. Do you have all the tools needed? (NOT INCLUDE)



5. Do you have all the tools needed? (NOT INCLUDE)

- This product is designed for use in wood stud, solid concrete walls - DO NOT install into drywall alone.
- The wall must be capable of supporting five times the weight of the TV and mount itself.
- Do not use this product for any purpose not explicitly specified by manufacturer.
- Manufacturer is not responsible for damage or injury caused by incorrect assembly or use.

Dimensions



Parts and Hardware

WARNING: This product contains small items that could be a choking hazard if swallowed. Before starting assembly, verify all parts are included and undamaged. If any parts are missing or damaged, do not return the damaged item to your dealer; contact Customer Service.

Never use damaged parts!

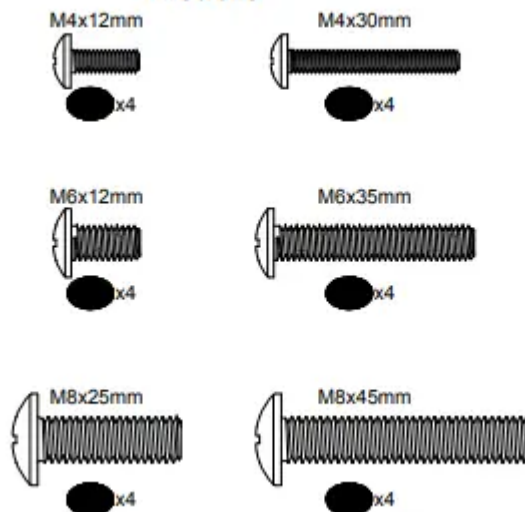
NOTE: Not all hardware included will be used.

Parts and Hardware for STEP 1

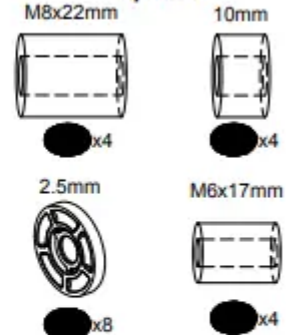
TV Brackets



TV Screws



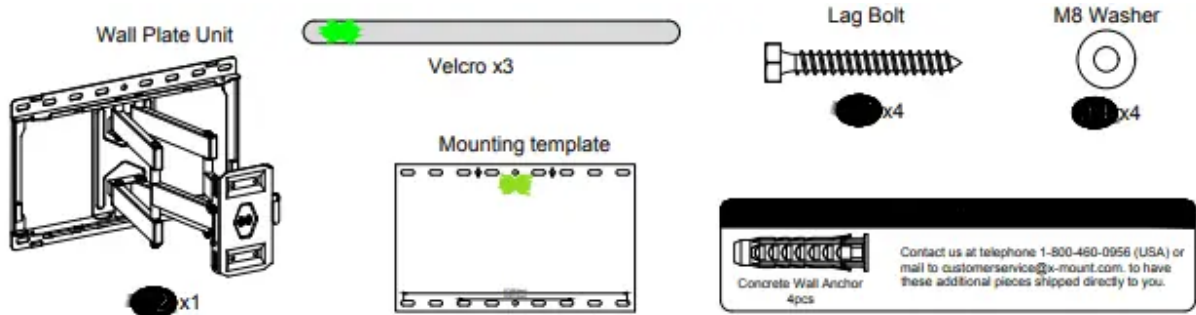
Spacers



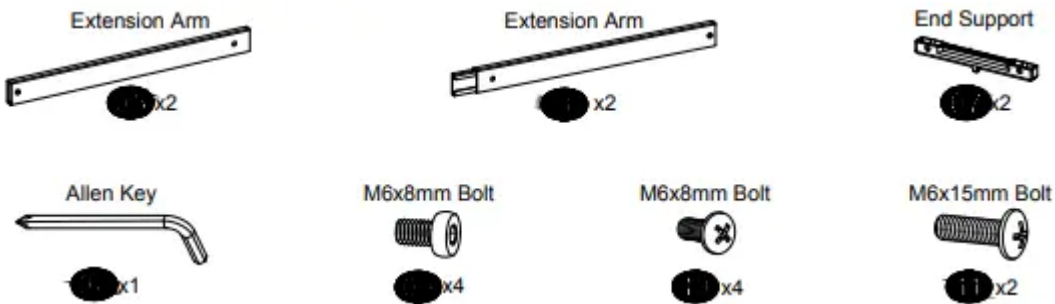
Washers



Parts and Hardware for STEP 2

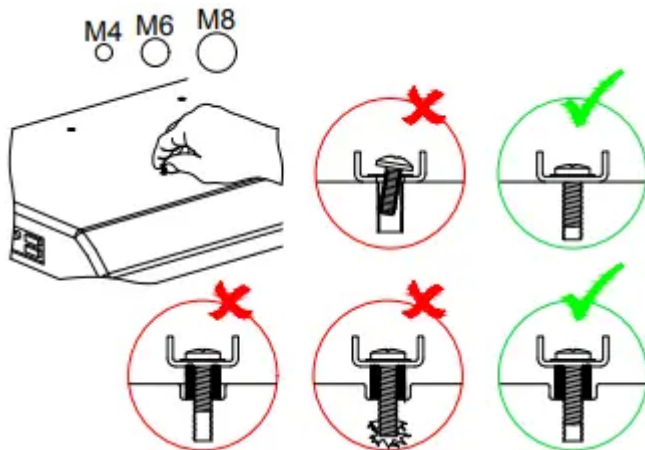


Parts and Hardware for STEP 3

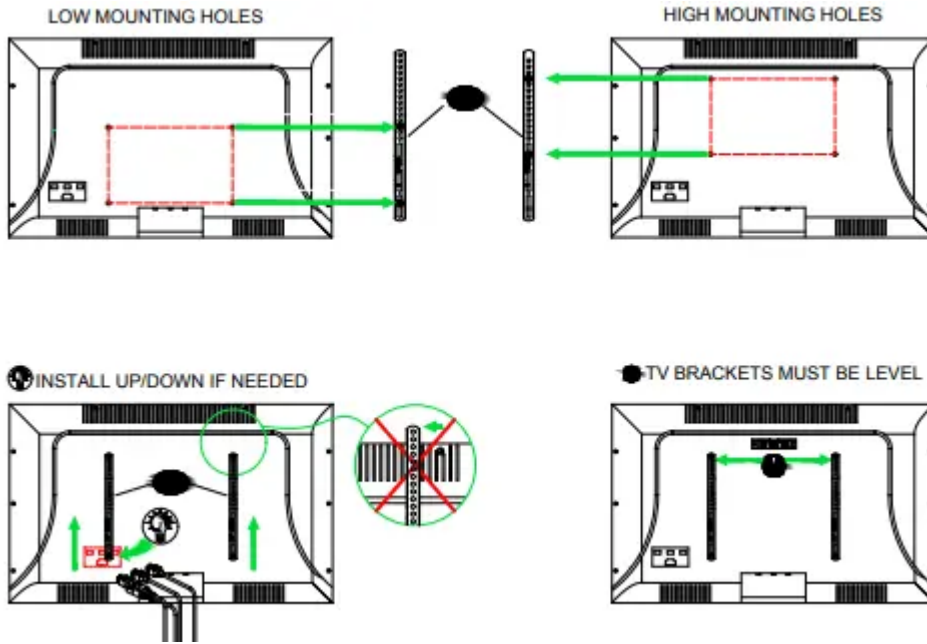


STEP 1: Attach Brackets to TV

1-1 Select TV Screws

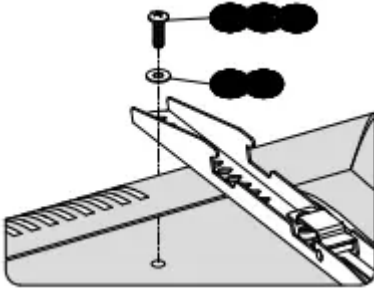


1-2 Figure out the suitable position of brackets

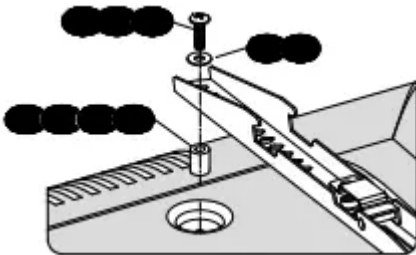


1-3 Need Spacer?

No, choose suitable screws and washers

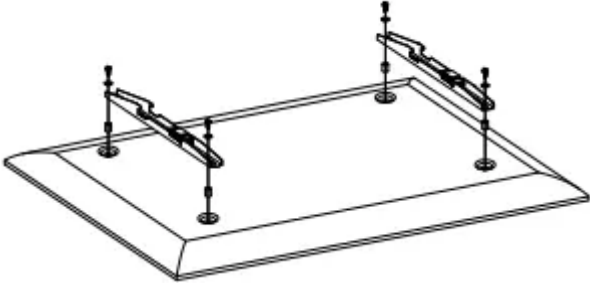


Yes, choose suitable screws, washers and spacers.



Tips: If you need to combine M6/M8(c/e/f) screws with 2.5mm spacers(i), you have to remove the inner circle.

1-4 Attach the TV Plate

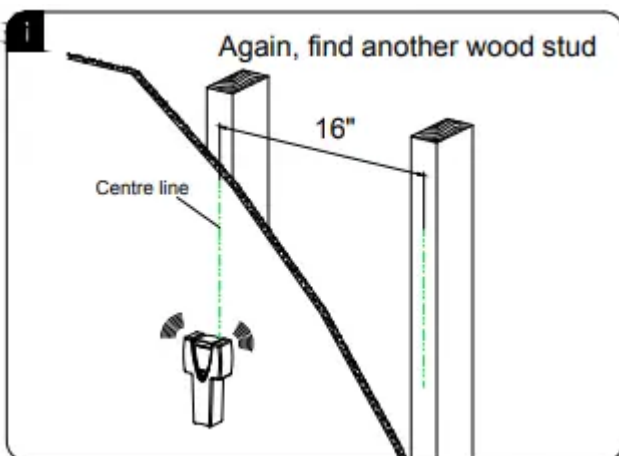


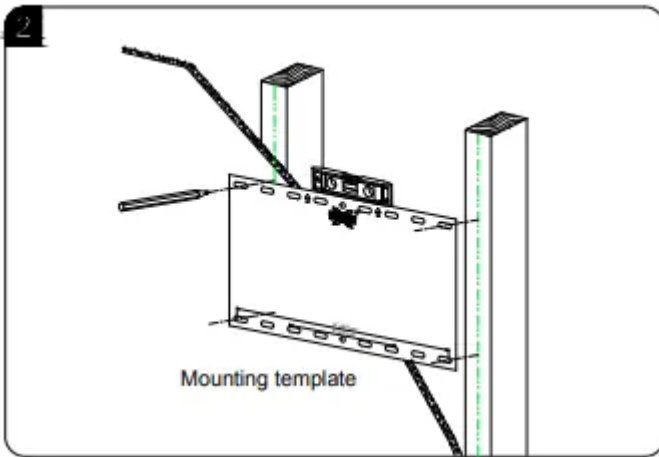
STEP 2A: Attach Wall Plate to Wall Wood Stud Option

CAUTION: Avoid potential personal injury or property damage!

- Drywall covering the wall, must not exceed 5/8 in. (16 mm).
- Minimum wood stud size: common 2 x 4 in. (51 x 102 mm) nominal 1½ x 3½ in. (38 x 89 mm).
- Maximum horizontal space between fasteners: 16 in. (406 mm).
- Stud center must be verified.

1. Locate your studs. Verify and mark the center of the stud by finding the stud edges using a thin nail, or an edge to edge stud finder.
2. Position the mounting template at your desired height and line up the holes with your stud center line. Level the wall plate and mark the hole locations.

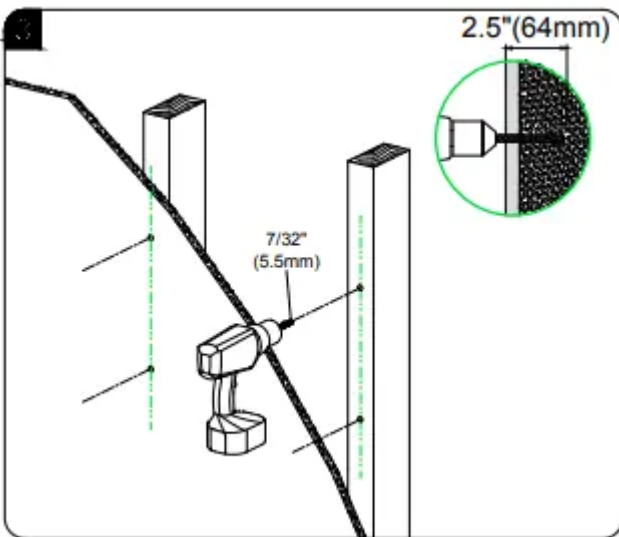


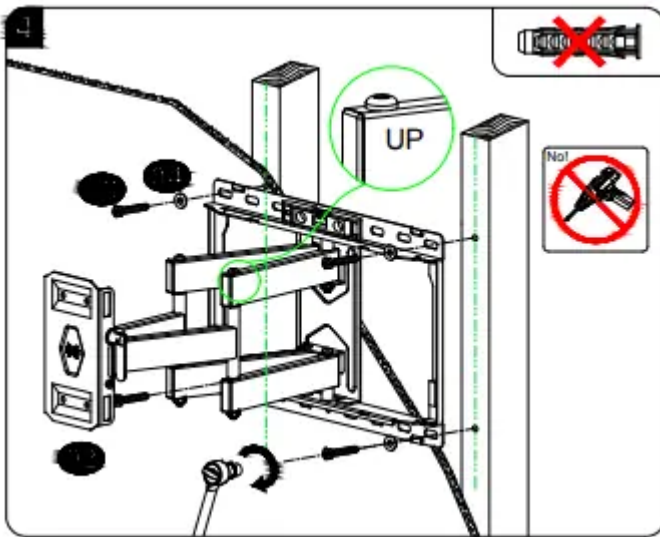


3. Drill pilot holes using a 7/32 in. (5.5 mm) diameter drill bit. **IMPORTANT:** Pilot holes must be drilled to a depth of 2.5 in. (64 mm). Be sure to drill into the center of the studs.

4. Install wall plate using four lag bolts and four washers. Tighten the lag bolts only until they are pulled firmly against the wall plate.

CAUTION: Improper use could reduce the holding power of the lag bolt. **DO NOT** over-tighten the lag bolts.





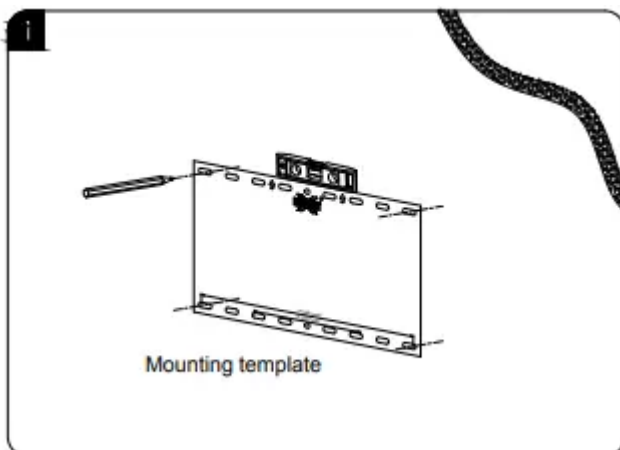
STEP 2B: Attach Wall Plate to Solid Concrete Wall

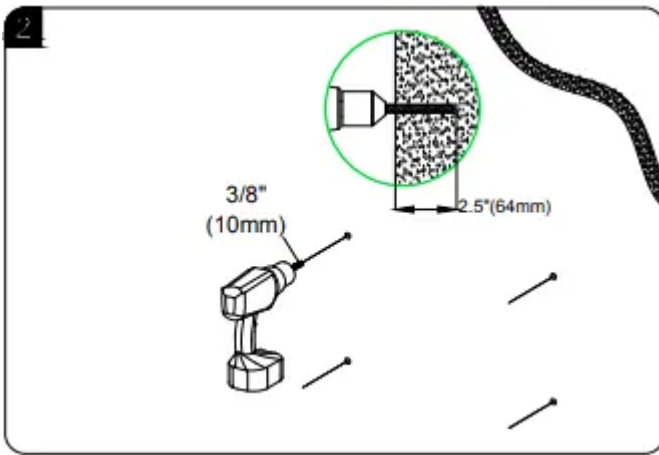
CAUTION: Avoid potential personal injury or property damage!

- Mount the wall plate assembly directly onto the concrete surface
- Minimum solid concrete thickness: 8 in. (203 mm)

1. Position the mounting template on the wall at your desired height. Level the wall plate and mark the hole locations.
2. Drill four pilot holes using a 3/8 in. (10 mm) diameter masonry drill bit.

IMPORTANT: Pilot holes must be drilled to a depth of 2.5 in. (64 mm).

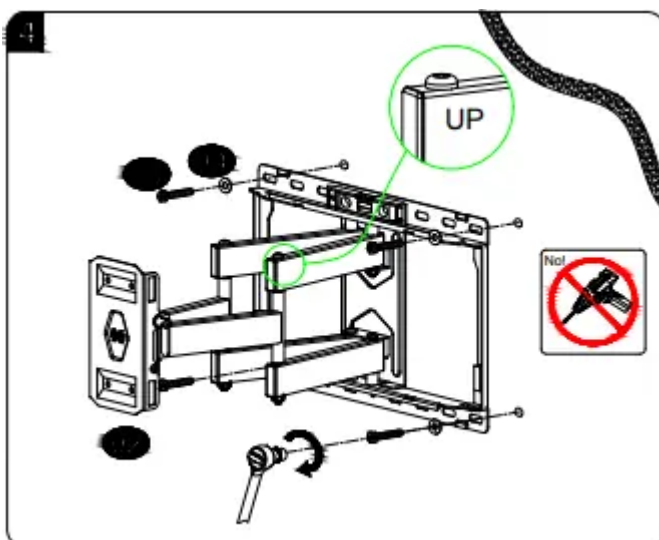
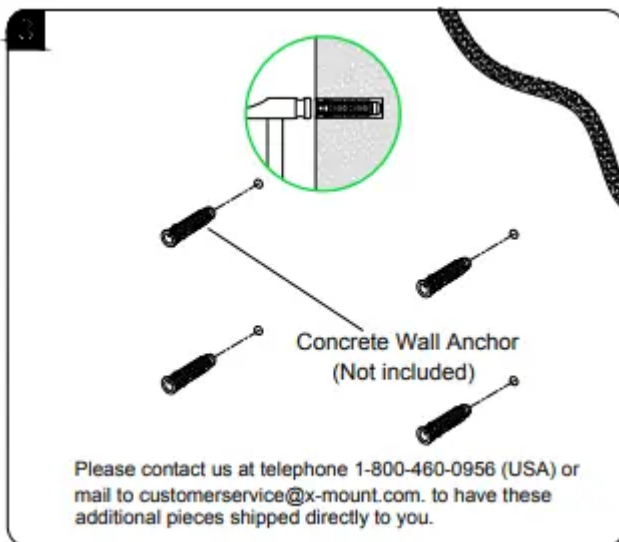




3. Insert four anchors. **CAUTION:** Be sure the anchors are seated flush with the concrete surface.

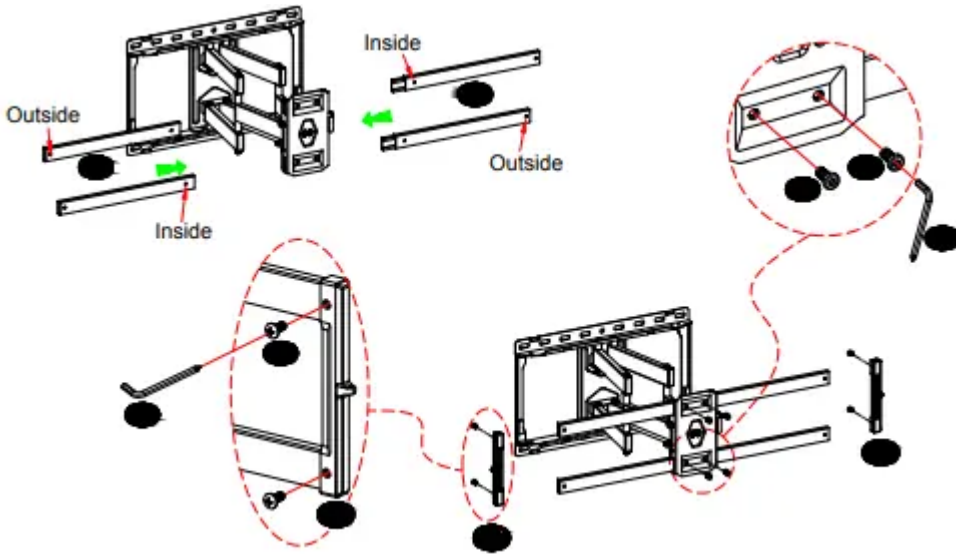
4. Insert wall plate using four lag bolts and washers. Tighten the lag bolts only until they are pulled firmly against the wall plate.

CAUTION: Improper use could reduce the holding power of the lag bolt. DO NOT over-tighten the lag bolts.



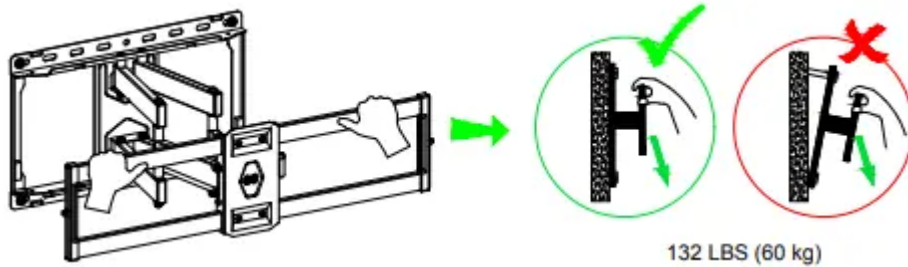
STEP 3: Extension Arms and end support Assembly

Please make sure you install these extension arms in right direction.



STEP 4: Wall Plate Installation Integrity Test

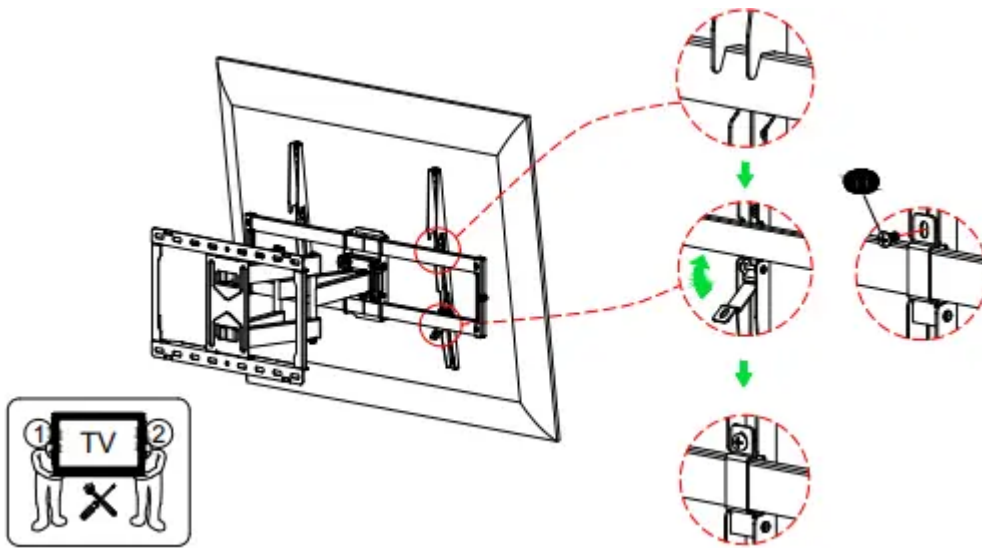
Before hanging TV, please try to pull the mount to make sure that it has been assembled on the wall tightly.



STEP 5: Hang and Secure TV to Wall Plate

Hang TV/bracket assembly onto wall plate, wrap clips on bracket around extension arms and tighten them using bolts

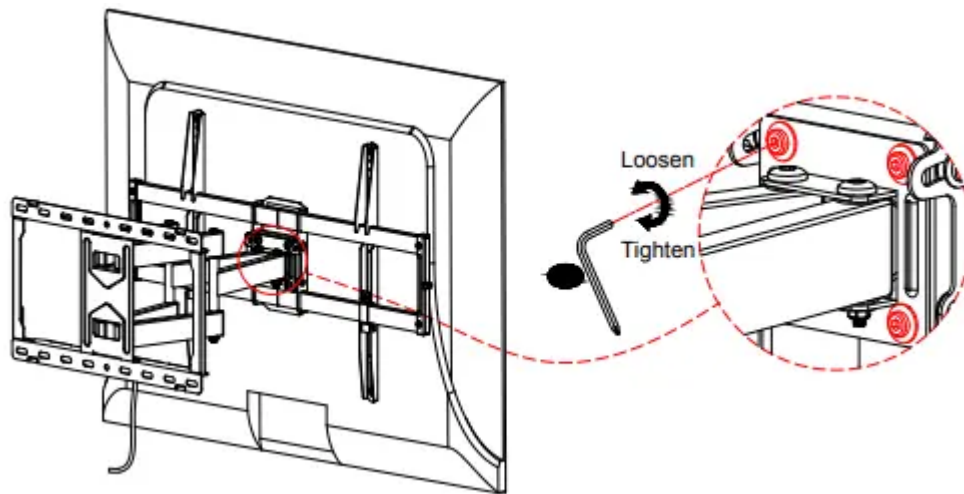




STEP 6: Adjustments

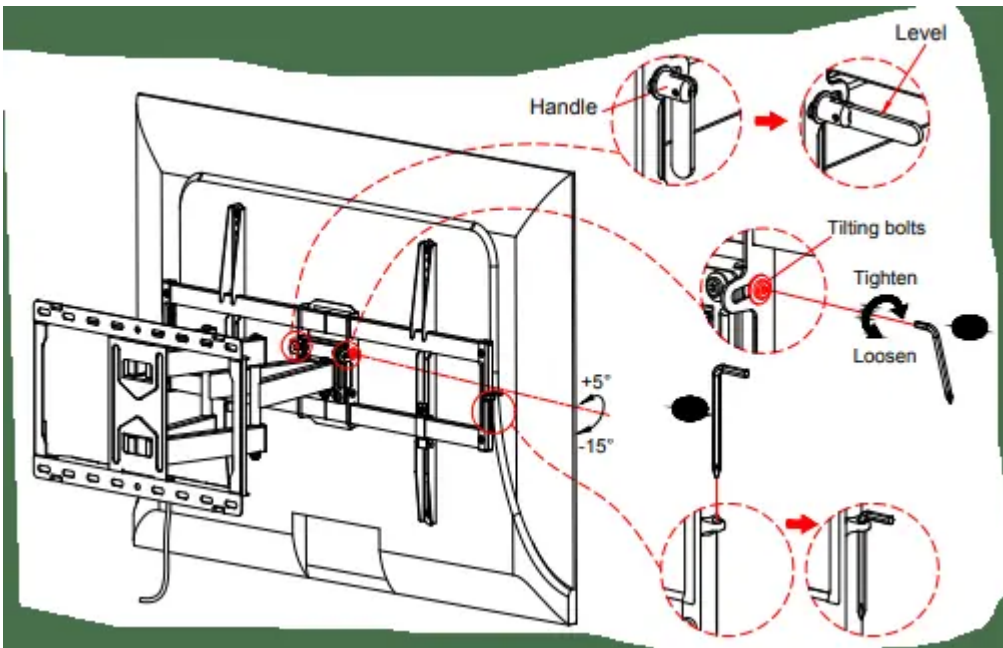
6-1 TV leveling adjustment ($\pm 3^\circ$):

Loosen 4 leveling bolts on the rear of TV plate by maximum 2 turns, adjust to level, and retighten to secure.



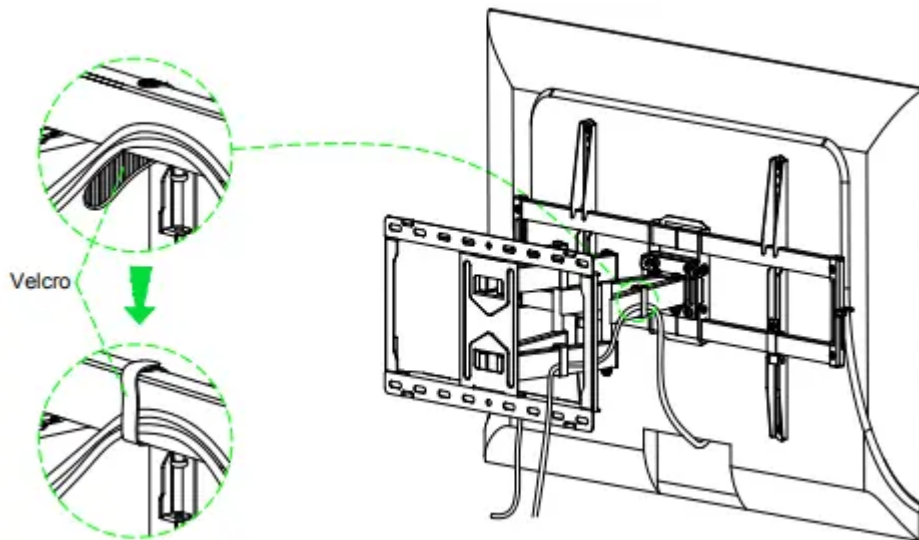
6-2 Tilting angle adjustment ($+5^\circ/-15^\circ$) :

Loosen handle and tilting bolt, adjust TV to your desired position, then tighten handle and tilting bolt. Put the handle level when finish.



6-3 Cables manage:

Manage TV cables orderly and guide them through the velcros.



Warning

This content is compiled from multiple sources and is provided for reference purposes only. It may not be complete or fully applicable to all situations. If you are unable to resolve your issue, please contact the product manufacturer or an authorized service provider for official support.