

Getting started

Check package contents:

- Thermostat
- Coverplate
- Wall anchors & screws (2 each)
- Caution card
- Wire labels

Before you begin, make sure you have:

- No. 2 Phillips & small pocket screwdrivers
- Hammer
- Level (optional)
- Pencil
- Drill and bit (3/16" for drywall, 7/32" for plaster)

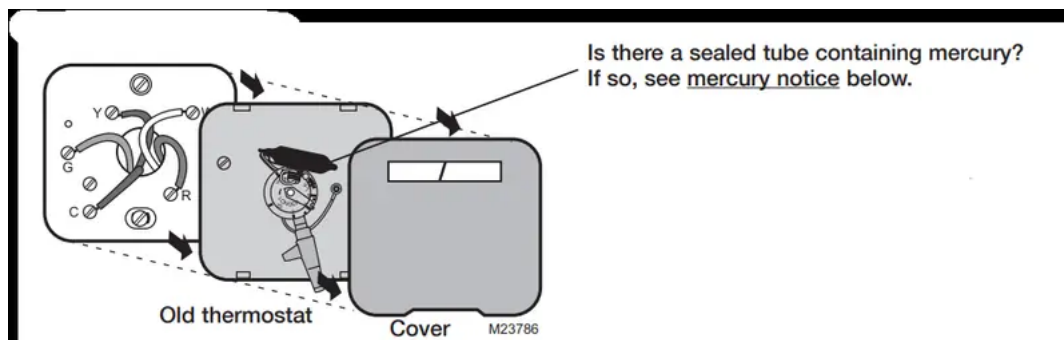
Remove your old thermostat



TURN OFF POWER at heating/cooling system (or fuse/circuit-breaker panel).

Remove cover and thermostat, but leave wallplate with wires attached.

Leave wallplate in place.



MERCURY NOTICE

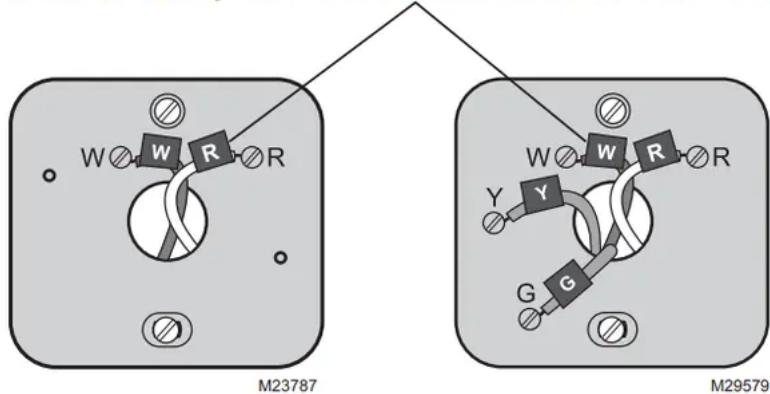
If your old thermostat contains mercury, contact your local waste management authority for proper disposal instructions.

Label wires and remove old wallplate

Use a screwdriver to disconnect wires one by one. As you disconnect each wire, wrap it with the label matching the letter on your old thermostat. (Adhesive labels are supplied in your thermostat package.)

Remove the old wallplate only after all wires are labeled. Be careful not to let loose wires fall into the wall opening.

Wrap supplied labels securely around each wire. **Do not** let wires fall into wall opening!



IGNORE WIRE COLORS: Use only letter designations to identify wire types.

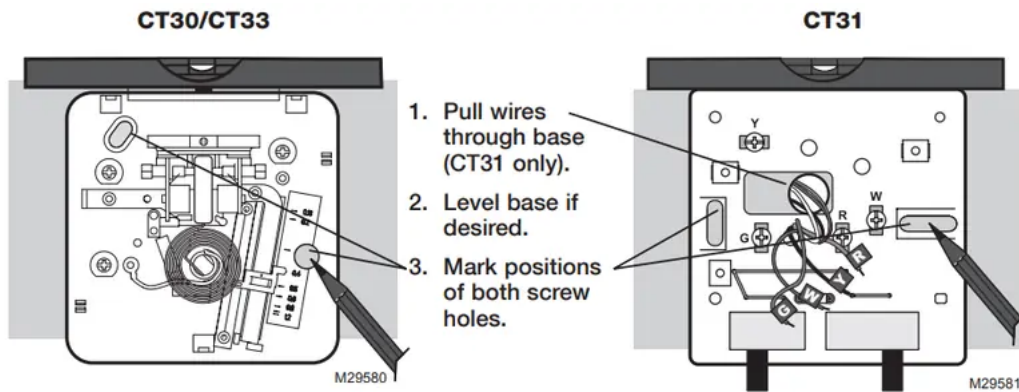


For CT30/CT33: If your old thermostat has 3 or more wires (not counting terminals C or C1), you may have purchased the wrong replacement thermostat. Stop now and call 1-800-468-1502 for advice.



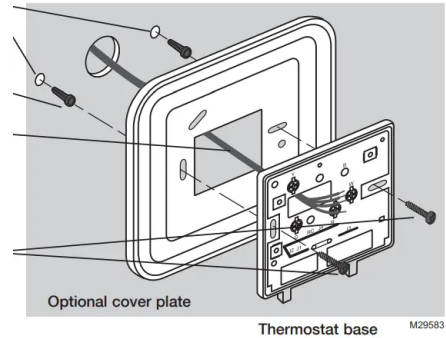
For CT31: If your old thermostat has 5 or more wires (not counting terminals C or C1), you may have purchased the wrong replacement thermostat. Stop now and call 1-800-468-1502 for advice.

Mark mounting position

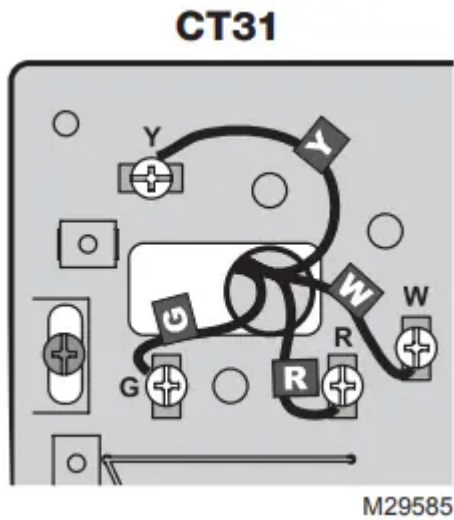


Mount thermostat base - CT31

1. Drill holes at pencil-marked locations (3/16" holes for drywall, 7/32" holes for plaster).
2. Use hammer to tap anchors into holes until flush with wall.
3. Optional: Pull wires through cover plate (if needed to cover marks left by your old thermostat).
4. Pull wires through thermostat base and insert screws. Check level if desired, then tighten screws.



Connect wires



1. Match each labeled wire with same letter on terminal.
2. Use a screwdriver to loosen screw terminals, insert bare wires beneath screws, then tighten screws.
3. Push any excess wire back into the wall opening.

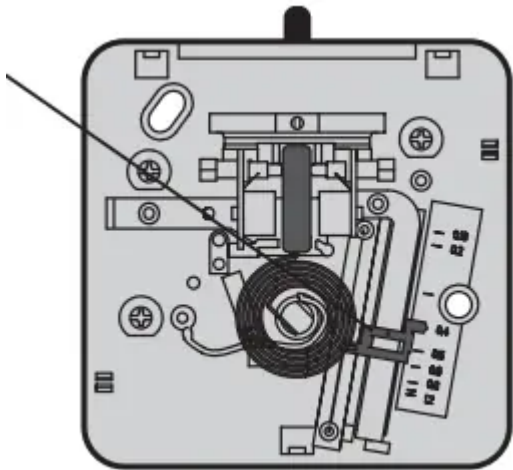
Labels don't match?

If labels do not match letters on thermostat, see table below.

Existing wires	Connect to	
	CT30/CT33	CT31
R • RH • 4 • V	Terminal "R"	Terminal "R"
W • W1 • H	Terminal "W"	Terminal "W"
Y • Y1 • M	[1]	Terminal "Y"
G • F	[1]	Terminal "G"
Rc	[1]	[1]

[1] If this wire is present, you may have purchased the wrong thermostat. Call 1-800-468-1502 for help.

Set adjustment lever (CT30/CT31 only)

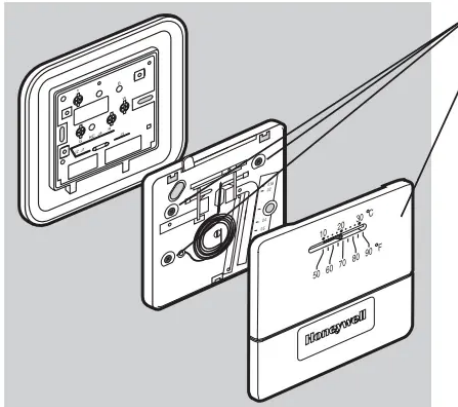


M29586

1. Separate cover from thermostat, and remove the insert.
2. Use a pencil to move the adjustment lever to the proper setting for your system (see table below).

Your system	Setting
Gas or oil furnace (less than 90% efficiency)	0.4
Electric furnace (any type)	0.3
High efficiency furnace (more than 90% efficiency)	0.8
Hot water system	0.8
Gas/oil steam or gravity system	1.2

Finish installation



1. Mount thermostat on base and tighten three mounting screws (CT31 only).
2. Align the 3 tabs on the cover with slots on the thermostat, then push gently until the cover snaps into place.
3. Restore power at the heating/cooling system, or at the fuse/circuit-breaker panel.

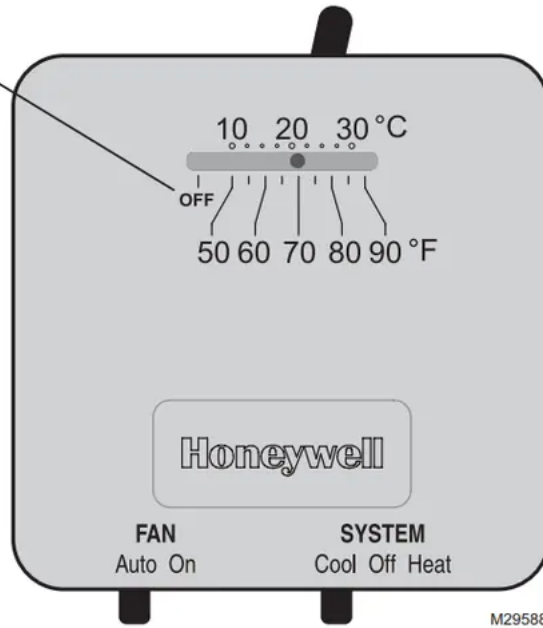
Operation

System off (select models)

Move lever to far left to turn off heating system.

Temperature setting

Adjust to set desired indoor temperature.



Fan switch (CT31)	System switch (CT31)
<ul style="list-style-type: none"> • Auto: Fan runs only when heating or cooling system is on. • On: Fan runs continuously. 	<ul style="list-style-type: none"> • Cool: Controls the cooling system. • Heat: Controls the heating system. • Off: All systems are off.



CAUTION: EQUIPMENT DAMAGE HAZARD (CT31).

Do not operate cooling system when outdoor temperature is below 50°F (10°C).

1-year limited warranty

Honeywell warrants this product to be free from defects in the workmanship or materials, under normal use and service, for a period of one (1) year from the date of purchase by the consumer. If at any time during the warranty period the product is determined to be defective or malfunctions, Honeywell shall repair or replace it (at Honeywell's option). If the product is defective,

- (i) return it, with a bill of sale or other dated proof of purchase, to the place from which you purchased it; or

(ii) call Honeywell Customer Care at 1-800-468-1502. Customer Care will make the determination whether the product should be returned to the following address: Honeywell Return Goods, Dock 4 MN10-3860, 1885 Douglas Dr. N., Golden Valley, MN 55422, or whether a replacement product can be sent to you.

This warranty does not cover removal or reinstallation costs. This warranty shall not apply if it is shown by Honeywell that the defect or malfunction was caused by damage which occurred while the product was in the possession of a consumer.

Honeywell's sole responsibility shall be to repair or replace the product within the terms stated above. HONEYWELL SHALL NOT BE LIABLE FOR ANY LOSS OR DAMAGE OF ANY KIND, INCLUDING ANY INCIDENTAL OR CONSEQUENTIAL DAMAGES RESULTING, DIRECTLY OR INDIRECTLY, FROM ANY BREACH OF ANY WARRANTY, EXPRESS OR IMPLIED, OR ANY OTHER FAILURE OF THIS PRODUCT. Some states do not allow the exclusion or limitation of incidental or consequential damages, so this limitation may not apply to you.

THIS WARRANTY IS THE ONLY EXPRESS WARRANTY HONEYWELL MAKES ON THIS PRODUCT. THE DURATION OF ANY IMPLIED WARRANTIES, INCLUDING THE WARRANTIES OF MERCHANTABILITY AND FITNESS FOR A PARTICULAR PURPOSE, IS HEREBY LIMITED TO THE ONEYEAR DURATION OF THIS WARRANTY. Some states do not allow limitations on how long an implied warranty lasts, so the above limitation may not apply to you.

This warranty gives you specific legal rights, and you may have other rights which vary from state to state.

If you have warranty questions, please write Honeywell Customer Relations, 1985 Douglas Dr., Golden Valley, MN 55422 or call 1-800-468-1502. In Canada, write Retail Products ON15-02H, Honeywell Limited/Honeywell Limitée, 35 Dynamic Drive, Toronto, Ontario M1V4Z9.

Warning

This content is compiled from multiple sources and is provided for reference purposes only. It may not be complete or fully applicable to all situations. If you are unable to resolve your issue, please contact the product manufacturer or an authorized service provider for official support.