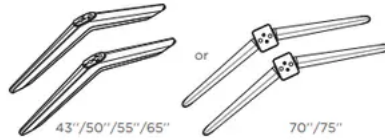


# USER MANUAL TELEVISION

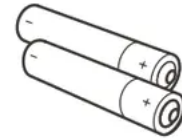
## What's in the box



TCL TV



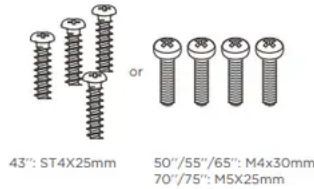
TV stands



2 x AAA batteries for remote



Power cable

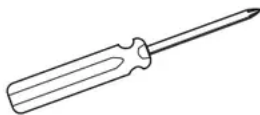


4 x Stand screws



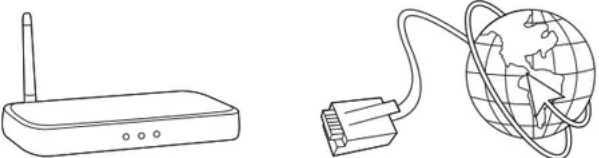
TV remote

## What you need



Phillips head screwdriver

**Make the most of your TV**



Router + Internet Connection (needed for streaming)

For additional support , please visit support tcl website

## Set up your TV

Ready for the step-by-step? You're only minutes away from TV bliss!

### Remove your TV from the box

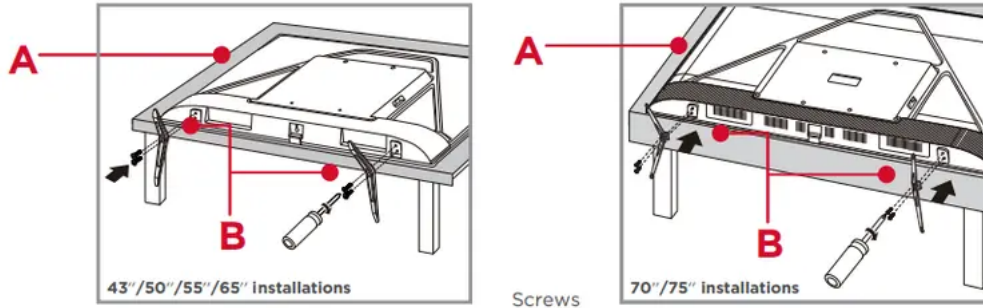
Be careful, it's heavy!

### To use the stand



- A. To prevent damage to the screen, carefully place your TV on a soft, cushioned surface.
- B. Put the column of the stands into the TV, align the stands with the screw holes located on the TV. Secure the stands to the TV with four (4) screws.

Note: Make sure the installation direction of the stand is the same as illustrated.



(43": ST4x25mm 50"/55"/65": M4x30mm 70"/75": M5X25mm)

**Warning:**

Never place a television set in an unstable location. A television set may fall, causing serious personal injury or death. Many injuries, particularly to children, can be avoided by taking simple precautions such as:

- Using cabinets or stands recommended by the manufacturer of the television set.
- Only using furniture that can safely support the television set.
- Ensuring the television set is not overhanging the edge of the supporting furniture.
- Not placing the television set on tall furniture (for example, cupboards or bookcases) without anchoring both the furniture and the television set to a suitable support.
- Not placing the television set on cloth or other materials that may be located between the television set and supporting furniture.
- Educating children about the dangers of climbing on furniture to reach the television set or its controls.

If your existing television set is being retained and relocated, the same considerations as above should be applied.

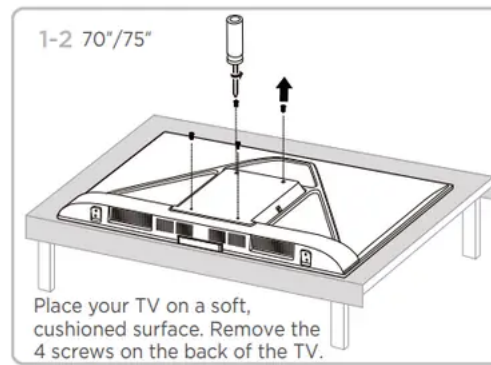
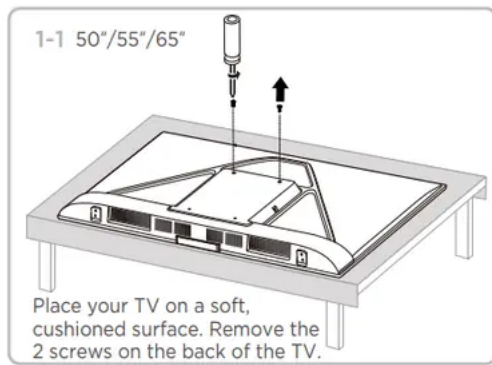
**Optional - To mount on a wall**

**To mount on a wall**

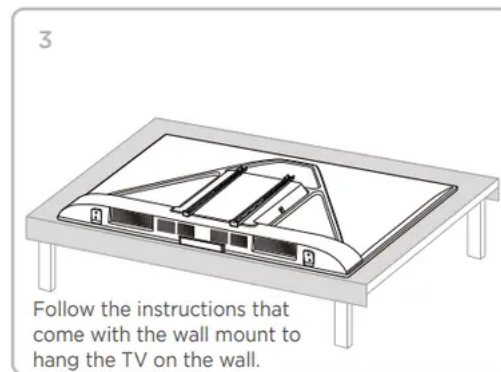
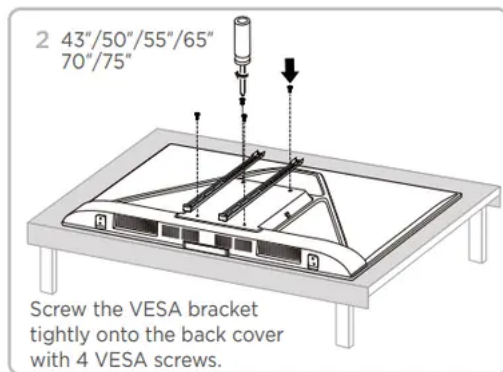
Preparation must be done before mounting your TV on a wall.

Note: Do not place your TV in a location exposed to direct sunlight, heat, fire, or moisture. Exposure will damage the TV.





\*For 43" model, please skip to step #2 directly.



If you are mounting your TV to the wall, don't attach the stands.

| To mount your TV to the wall, purchase a VESA wall mount |  |
|--|--|
| Models of 43"  | Purchase a VESA 200x200 (4 M6x12mm screws) |
| Models of 50"  | Purchase a VESA 200x300 (4 M6x12mm screws) |
| Models of 55"  | Purchase a VESA 300x300 (4 M6x12mm screws) |
| Models of 65"  | Purchase a VESA 300x300 (4 M6x12mm screws) |
| Models of 70"  | Purchase a VESA 300x300 (4 M6x16mm screws) |
| Models of 75"  | Purchase a VESA 300x300 (4 M6x16mm screws) |

The VESA number is the horizontal and vertical measurement of the mounting holes. For example, 200X200 refers to the fact that the mounting measurements are 200mm horizontally and 200mm vertically.

Follow the instructions that come with the wall mount.

Your wall mount must be able to bear a minimum of five times the TV's net weight to avoid causing damage.

## Power up

In this step, we'll make sure all systems are a GO!

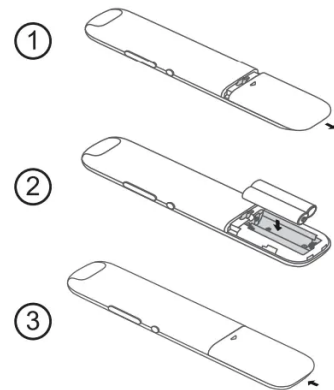
Connect your power cable to the TV, then plug it in to the wall outlet.

Power your TV remote by inserting the included batteries.

Connect other devices by referencing port label and descriptions on the next page.

Power Tip! Always replace depleted batteries with two same brand-new batteries from the same manufacturer. Never use damaged batteries.

If your remote gets warm/hot during use, discontinue use and contact customer support immediately at support tcl website



Insert batteries in the correct polarity as indicated in the battery compartment.

## Grab your remote

The TV remote should feel right at home in your hand. We designed it to be incredibly intuitive for watching TV and navigating on-screen menus.

**A. OPTIONS** View more options when playing media.

**B. POWER** Turn TV on and off

**C. WATCHLIST** Open the watchlist menu or future function

**D. SETTINGS** Display the TV settings menu

**E. REMOTE MICROPHONE** Talk to the remote microphone after pressing the Google Assistant button

**F. GOOGLE ASSISTANT BUTTON** Press to activate the remote's Google Assistant microphone. Search content through your voice by holding down the button.

**G. VOLUME** Raise and lower volume

**H. HOME** Return to home screen

**I. BACK** Return to previous screen

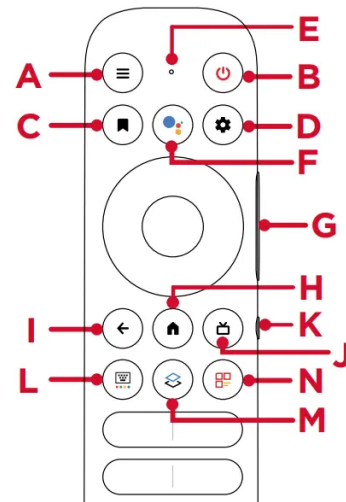
**J. ELECTRONIC PROGRAM GUIDE** Display the live antenna TV channels

**K. MUTE** Press the button to mute the sound.


**L. VIRTUAL KEYBOARD** Open virtual keyboard on screen

**M. QUICK PANEL** Display the quick panel

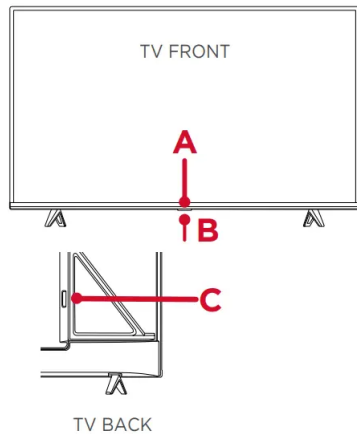
**N. TCL HOME** Open TCL home on screen



Tip! Follow the on-screen guide to pair the remote control with the TV when pressing

the  button for the first time.

## Get to know your TV



**A. STATUS LIGHT** Glows when the TV is in standby.

**IR RECEIVER** Receives signal from the TV remote.

**B. POWER and OPTIONS BUTTON** Press once to open the menu. Short click to change the menu and long click to select.

**C. POWER PORT** Connect your TV to the power source with the included power cable.

**D. USB PORT** Connect a USB device to access photos, music and movies.

**E. ETHERNET** Connect an Ethernet cable to your home Internet router or switch.

**F. 3 HDMI PORTS** Highest quality audio/video connection. Connect cable box, Blu-ray player, gaming console, or other devices to your TV using HDMI cables.

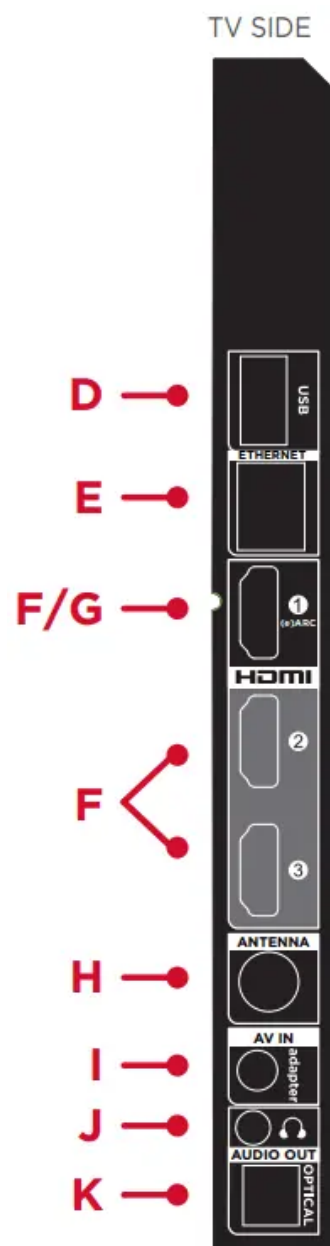
**G. HDMI (e)ARC PORT** Connect HDMI (e)ARC (audio return channel) capable audio devices like sound bars or AV receivers.

**H. ANTENNA** Connect an outdoor VHF/UHF antenna.

**I. AV IN adapter** AV Input (analog audio/video). The AV Input can be used to connect older devices that use analog audio/video outputs. Compatible adapter (not included) connects to the RCA cable (video - yellow and audio - white and red) that you normally use to connect to that device.

**J. HEADPHONE OUT** Connect headphones or other external speakers.

**K. OPTICAL (DIGITAL AUDIO OUT)** Connect an optical cable to an external digital audio system.

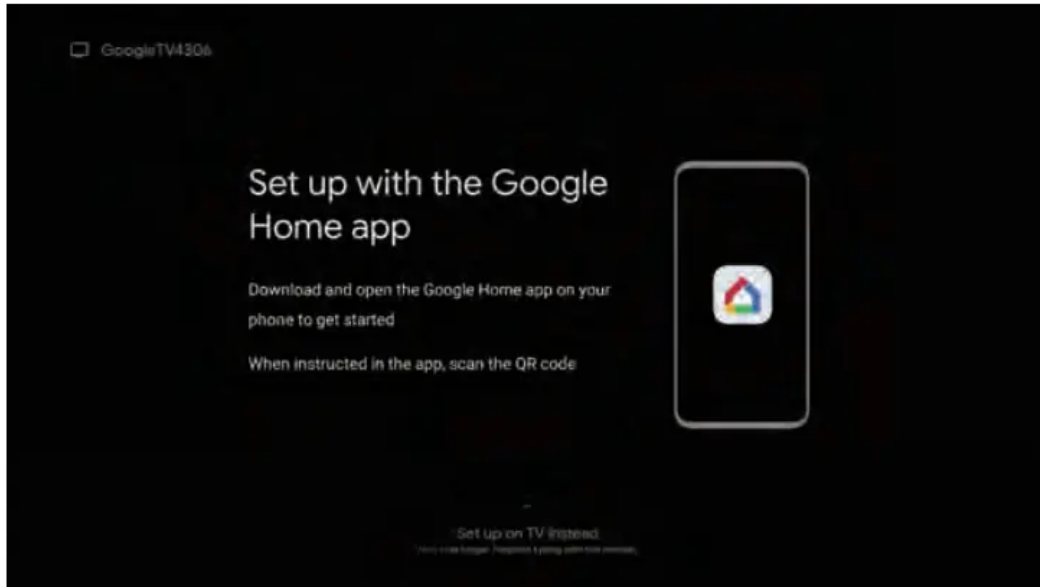


## Complete guided setup

It's the final stretch-hurray!

### Let's Connect

Once your language has been selected, you can quickly set up the TV using an Android phone with the pre-installed Google Home app.



TV interface may vary and is subject to change.

Or you can follow the easy on-screen instructions to setup your TV. If you aren't ready to connect your TV to a wireless network, you can still use it as a regular TV.

To enjoy all smart features and services on your TCL Google TV, a free Google account, a free TCL account, and a reliable broadband internet connection, are required.

## Broadcasting & Operating Environment

|                       |   |
|-----------------------|---|
| Broadcasting system   | US System NTSC-M<br>ATSC standard (8VSB), QAM   |
| Receiving Channels    | VHF2-13<br>UHF14-69<br>CATV 14-36 (A)-(W)<br>37-59 (AA)-(WW)<br>60-85 (AAA)-(ZZZ)<br>86-94 (86)-(94)95-99 (A-5)-(A-1)<br>100-135 (100)-(135)<br>01 (4A) |
| Tuner type            | Frequency synthesized   |
| Operating Temperature | 5°C to 35°C (41°F to 95°F)  |
| Operating Humidity    | 20% to 80%, non-condensing  |
| Storage Temperature   | -15°C to 45°C (5°F to 113°F)  |
| Storage Humidity      | 10% to 90%, non-condensing  |

# Troubleshooting

Having trouble completing the guided setup? Don't worry, it's usually an easy fix.

## Cannot connect to wireless network (WiFi)

- Select the correct wireless network name and verify the password entered (case sensitive).
- Relocate the router from objects that interfere with performance (cordless phones, baby monitors, etc.).
- Reboot the router by disconnecting the power for more than 2 minutes and reconnect.

## Problems connecting my cable box or antenna through a coax cable

- For best performance, use the HDMI connection. If not available, then:
- Make sure the cable connections to the TV and your device are securely fastened.
- Select cable or antenna input.
- Select the channel scan menu and follow the on-screen instructions to perform a full channel scan.


## What is the remote code for programming my Universal or Cable box remote control?

- Please visit tcl website

## Access parental control

- The initial personal password for your TV is 1234.
- You can change the personal password anytime.
- If you forget your personal password, you can use 0423 to reset.

## How do I turn Text-to-Speech (TTS) on or off?

- Press Settings button (  ) on the remote control
- Select "Settings".
- Select "System".
- Select "Accessibility"
- Select "TalkBack".
- Select "Enable" and press OK to turn it on or off.
- For more information visit: tcl/tts-atv website

## How to use voice control through the remote control?

- In Google TV mode, press and hold the "HOME" and "OK" buttons on your remote at the same time.
- Keep your remote within 3 ft. of your TV during the pairing process.

- Then, when the TV display shows that the Google Assistant is ready – speak towards the remote microphone by holding down the Google Assistant button to ask a question or try a suggestion

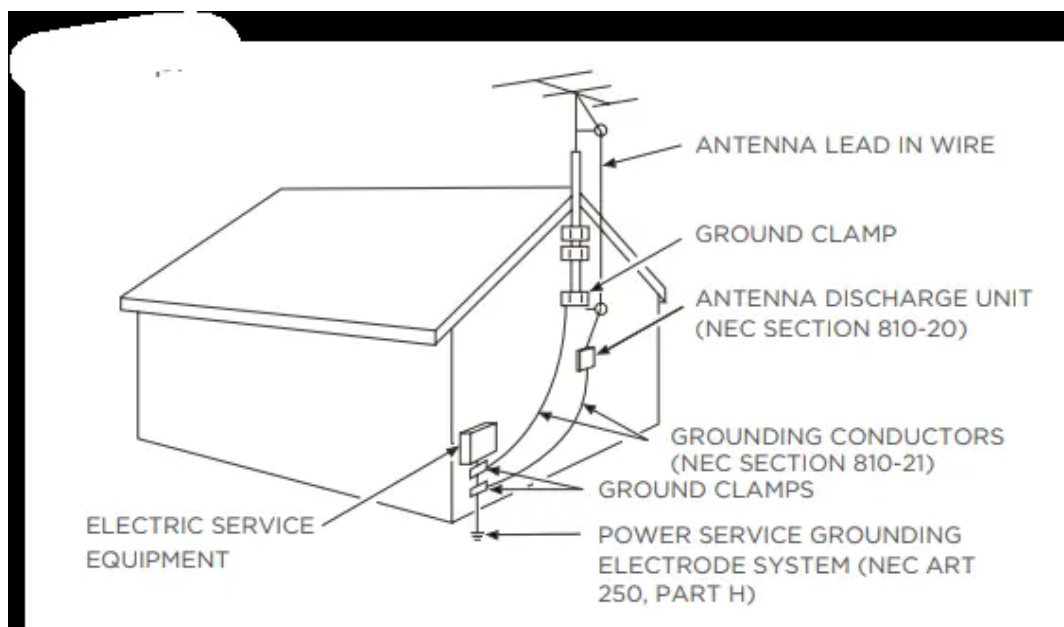
## **Important Safety Instructions**

1. Read these instructions.
2. Keep these instructions.
3. Heed all warnings.
4. Follow all instructions.
5. Do not use this apparatus near water.
6. Clean only with a dry cloth.
7. Do not block any ventilation openings. Install in accordance with the manufacturer's instructions.
8. Do not install near any heat sources such as radiators, heat registers, stoves, or other apparatus (including amplifiers) that produce heat.
9. Protect the power cord from being walked on or pinched particularly at plugs, convenience receptacles, and the point where they exit from the apparatus.
10. **WARNING:** Please refer the information on exterior bottom enclosure for electrical and safety information before installing or operating the apparatus.
11. **WARNING:** The main plug is used to disconnect the device and should remain readily operable.
12. When not in use, tie up the power cordset with a cable tie or with something similar. It should not be near sharp edges as it may cause abrasion of the power cordset. When put into use again, please make sure the power cordset is not damaged. If any damage is found, please use a replacement power cord specified by the manufacturer or that is identical to the original one.
13. No open flame sources, such as lit candles, should be placed on, under, or near the apparatus.
14. Unplug this apparatus during lightning storms or when unused for long periods of time.
15. Only use attachments/accessories specified by the manufacturer.
16. Use only with the cart, stand, tripod, bracket, or table specified by the manufacturer, or sold with the apparatus. When a cart is used, use caution when moving the cart/apparatus combination to avoid any injury.

17. Refer all servicing to qualified service personnel. Servicing is required when the apparatus has been damaged in any way, such as power-supply cord or plug is damaged, liquid has been spilled or objects have fallen into the apparatus, the apparatus has been exposed to rain or moisture, does not operate normally, or has been dropped.

18. For safe operation of the apparatus, please follow these installation requirements: Keep at least 2 inches of ventilation space between the rear cover of the apparatus and the wall. Keep at least 1 inch of ventilation space between the apparatus and all other surfaces. Do not allow any of the apparatus' ventilation openings to be blocked by objects that might obstruct them, such as newspapers, curtains, table-cloths or any other objects. Do not expose the apparatus to any external heat sources. Do not place any heat sources such as candles, lamps, etc. on the apparatus. Do not expose the device to high levels of humidity or to any possible sources of moisture. When disposing of used batteries from the remote control, consult local regulations regarding proper disposal.

19. If an outside antenna or cable system is connected to the product, be sure the antenna or cable system is grounded so as to provide some protection against voltage surges and built-up static charges. Section 810 of the National Electrical Code, ANSI/NFPA No. 70-2011 (Section 54 of Canadian Electrical Code, Part 1) provides information with respect to proper grounding of the mast and supporting structure, grounding of the lead in wire to an antenna-discharge unit, size of grounding conductors, location of antenna discharge unit, connection to grounding electrodes, and requirements for the grounding electrode. See following example:



### Warning

This content is compiled from multiple sources and is provided for reference purposes only. It may not be complete or fully applicable to all situations. If you are unable to resolve your issue, please contact the product manufacturer or an authorized service provider for official support.

---

Document generated by [ManualsFile](#)

