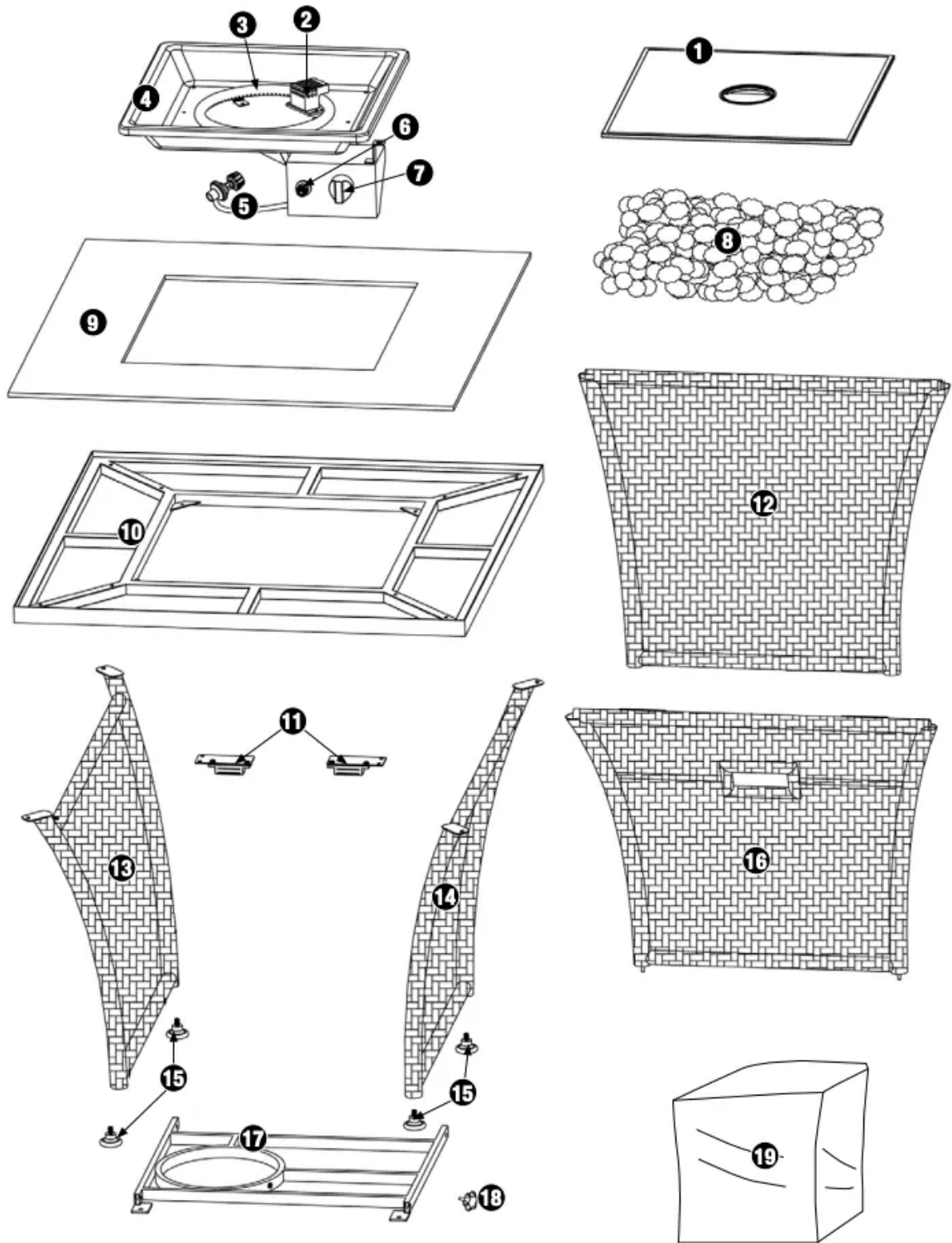
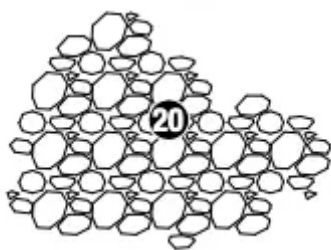


### Expanded View



Sold Separately





## Parts List

- 1 Table Insert 58-23-817
- 2 Igniter cover\* 58-23-896
- 3 Burner\* 58-23-251
- 4 Bowl Assembly\* 58-23-895
- 5 Regulator/Hose Assembly 58-23-922
- 6 Battery Cover\* 58-23-897
- 7 Control Knob\* 58-23-139
- 8 Lava Rock\*\* 55-05-833
- 9 Mantel 58-23-818
- 10 Mantel Frame 58-23-819
- 11 Magnet (2)\* 58-23-820
- 12 Rear Panel 58-23-821
- 13 Left Side Panel 58-23-822
- 14 Right Side Panel 58-23-823
- 15 Foot (4)\* 58-23-147
- 16 Door 58-23-824
- 17 LP Gas Tank Support 58-23-825
- 18 LP Gas Tank Bolt 58-23-149
- 19 Cover 58-23-826
- 20 Glass Rock (not required and sold separately)\*\*

\* Pre-assembled

**CAUTION:** Use only Blue Rhino Global Sourcing, Inc. factoryauthorized glass rock/lava rock. The use of any glass rock/ lava rock that is not factoryauthorized can be dangerous and will void your warranty.

## **1. DO NOT RETURN TO PLACE OF PURCHASE.**

For assistance, call 1.800.762.1142 toll-free. Please have your owner's manual and model number available for reference.

**Note:** The model number is printed on a label which can be found on the inside door, back or side of the base assembly.

### **Assembly Tips:**

1. Select an area where you will assemble this product. To protect components, choose a smooth surface that's free of cracks or openings.
2. Spread out all parts.
3. Tighten all hardware connections by hand first. Then, before completing each step, go back and fully tighten all hardware. Be careful not to over-tighten. That could damage surfaces or strip threads.
4. For best results, complete each step in the order presented.

To complete assembly you will need:

- (1) Leak detection solution (instructions on how to make the solution are included in the "Operating Instructions" section of this manual).
- (1) Precision-filled LP gas grill tank with Acme Type 1 external threaded valve connection (standard grill size) (not included).

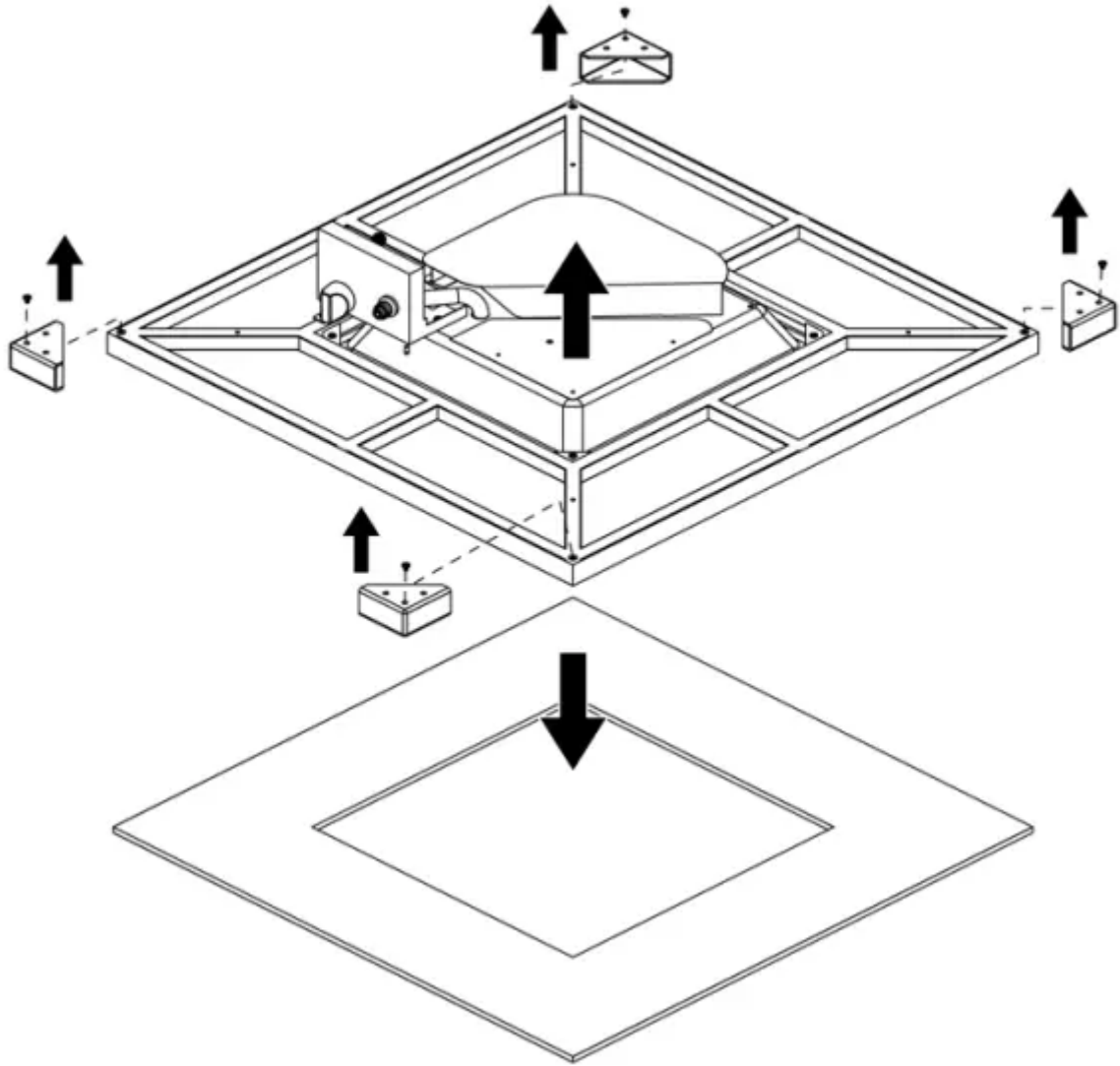
Typical assembly is approximately one hour.

**CAUTION:** Two (2) people will be required for assembly.

## **2. Remove Mantel and Mantel Frame Packaging**

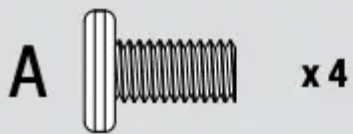
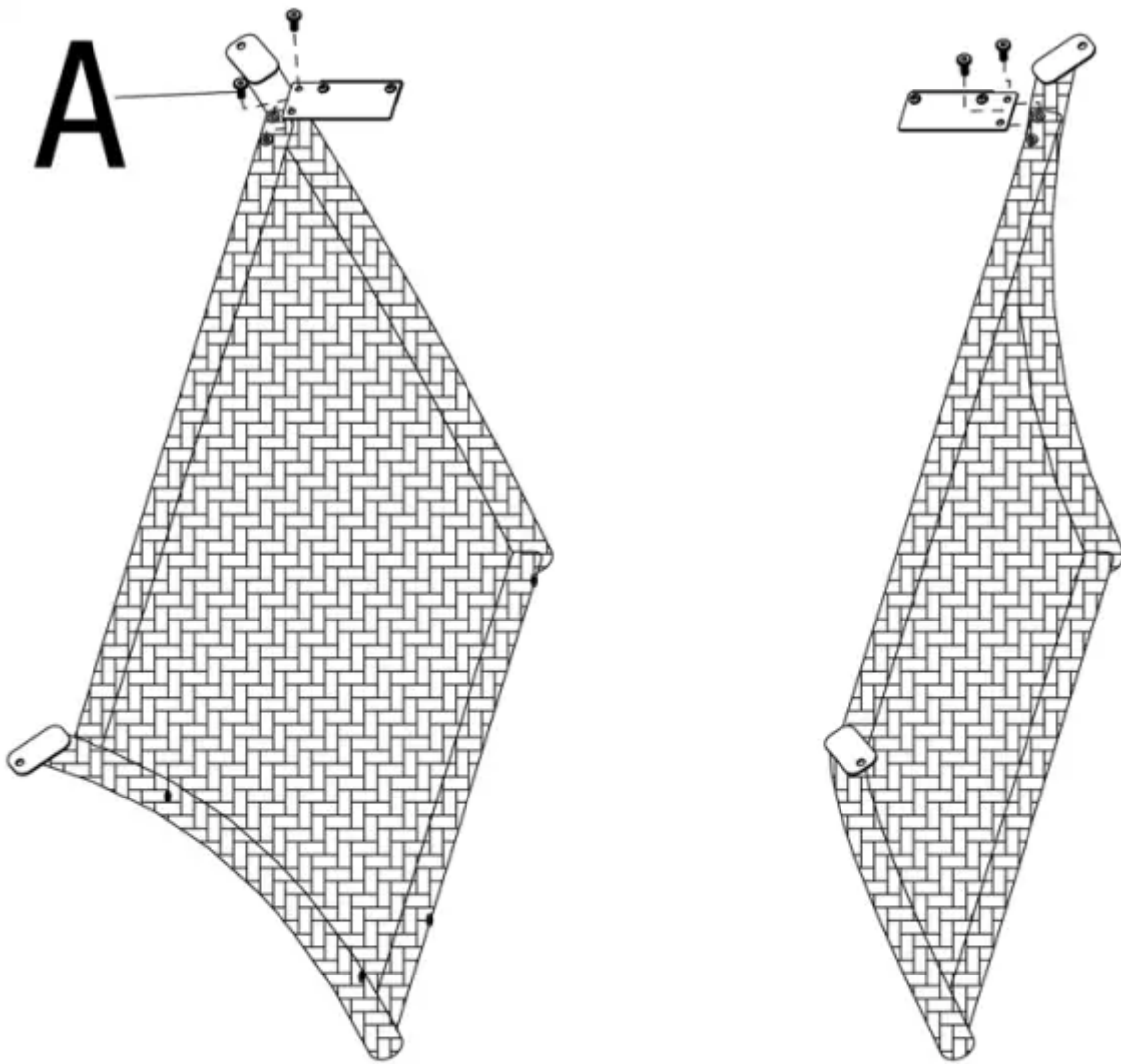
### **CAUTION:**

1. Two (2) people are required for this step.
2. To prevent scratching, place parts on a protective surface like a sheet or towel.

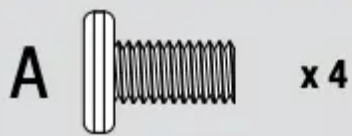
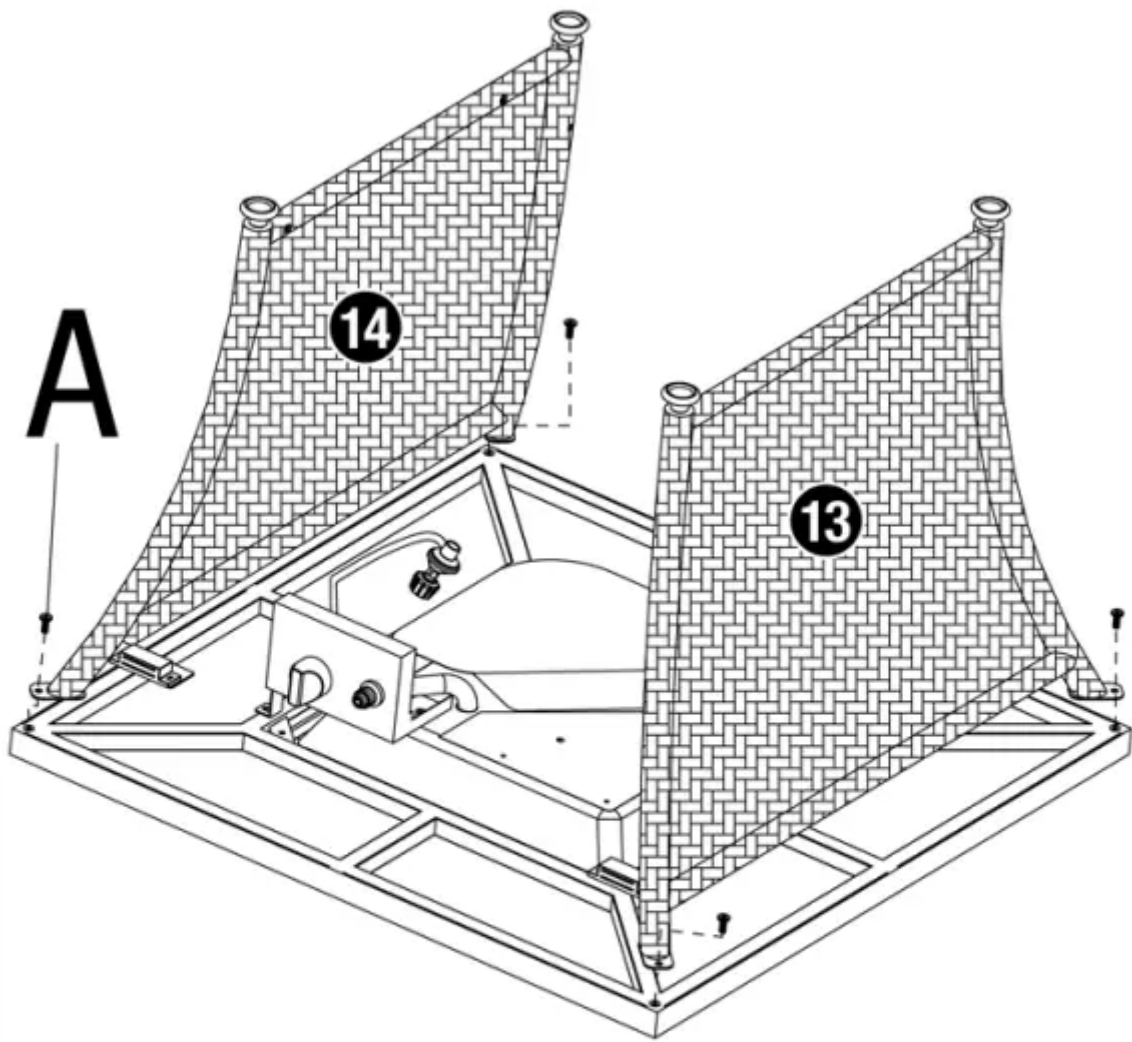


### 3. Attach Magnets



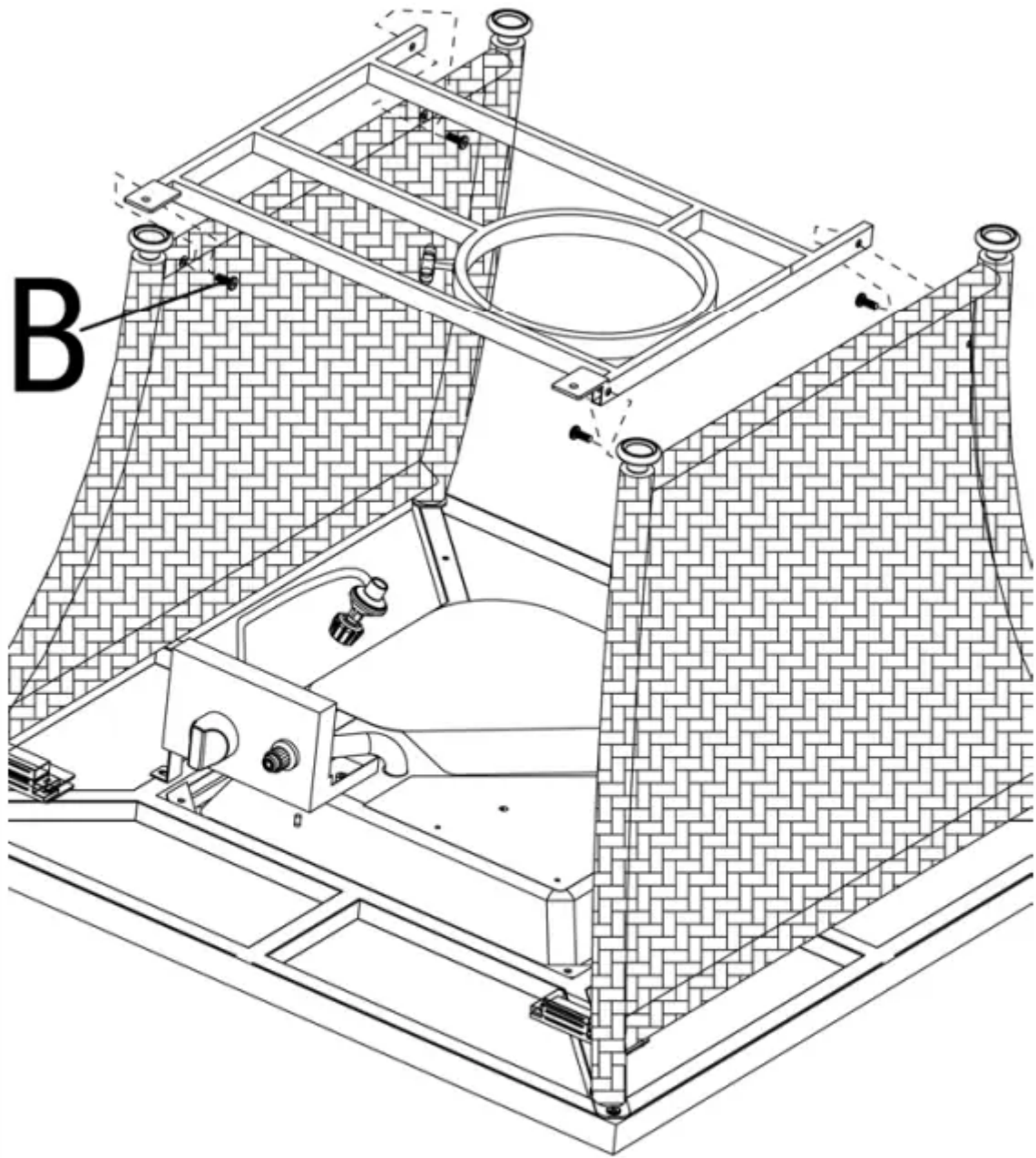


#### 4. Attach Side Panels

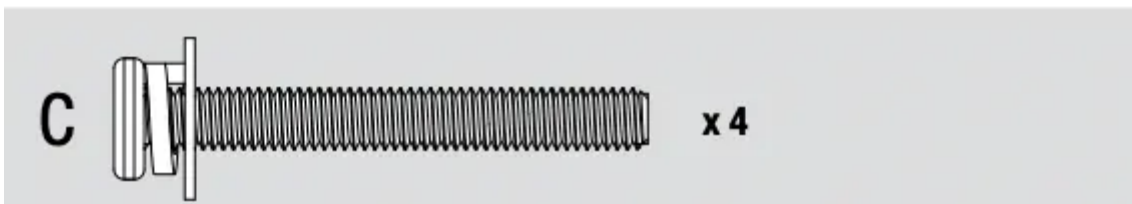
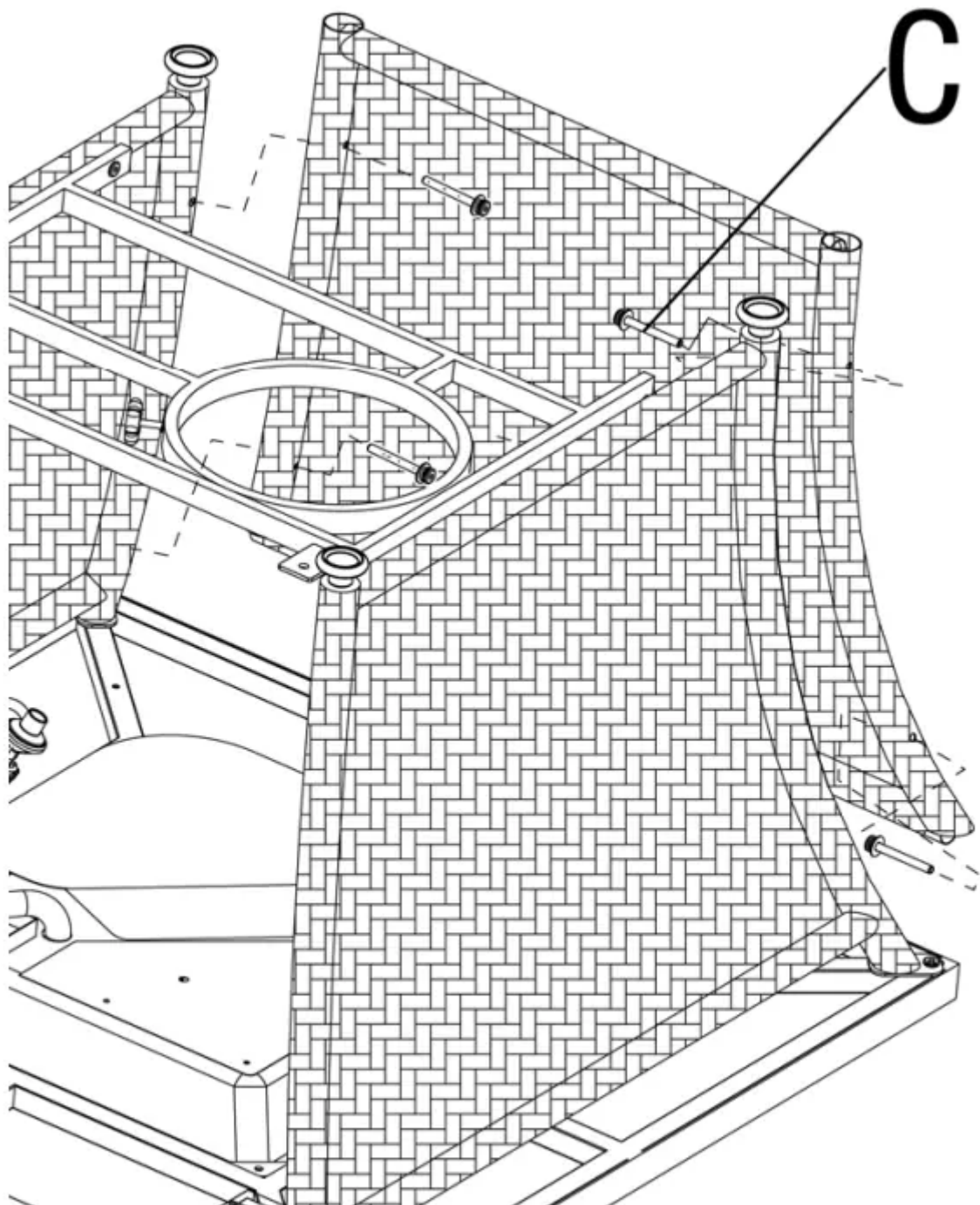


5. Attach LP Gas Tank Support





**6. Attach Rear Panel**

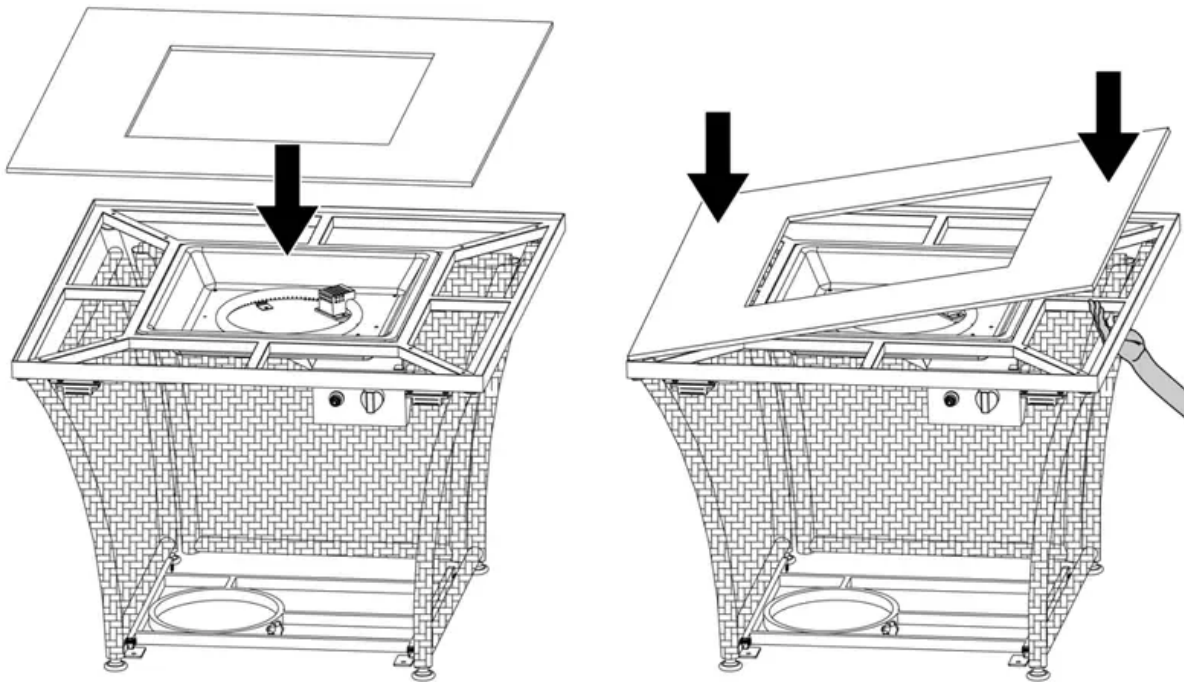


### 7. Place Mantel

**CAUTION:** Two (2) people are required for this step.

**CAUTION:** Place mantel on one side of the mantel frame first. Do NOT drop mantel onto the frame; lower gently by supporting it from beneath.

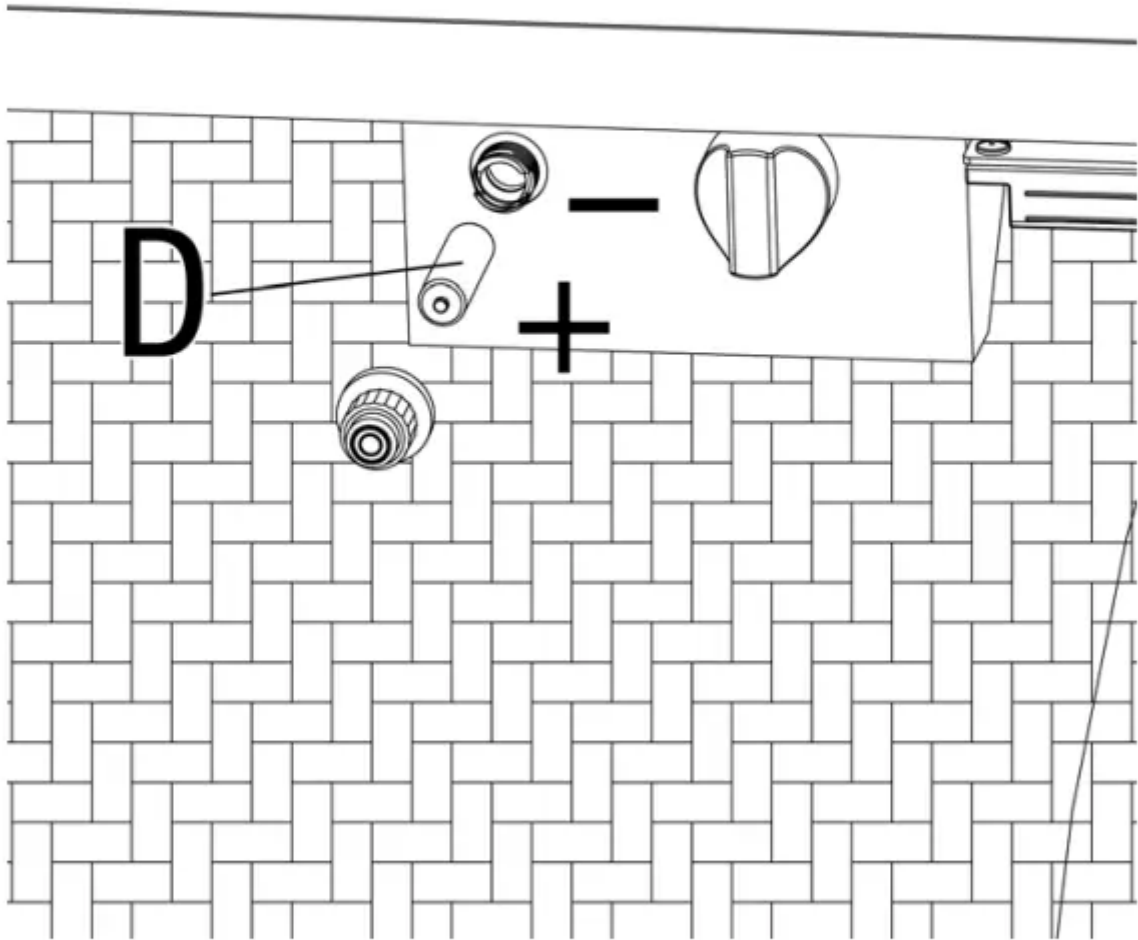
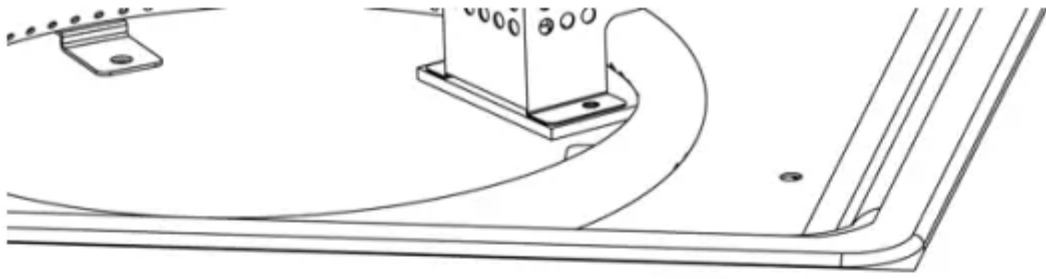
**CAUTION:** DO NOT drop mantel on mantel frame. Lower mantel by supporting mantel from under the mantel frame.



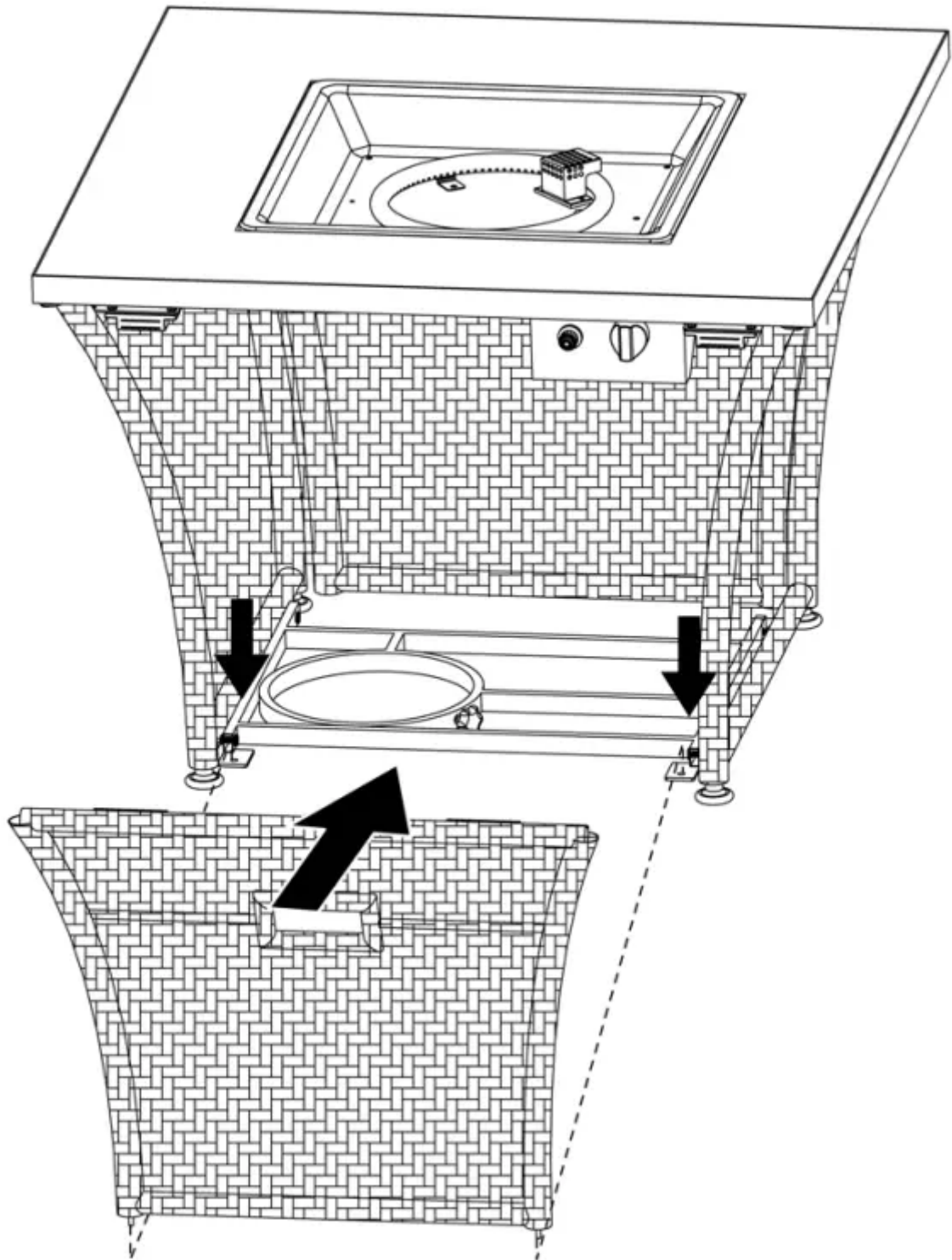
### 8. Insert Battery

**Note:** Remove plastic wrapper before installing battery





9. Place Door



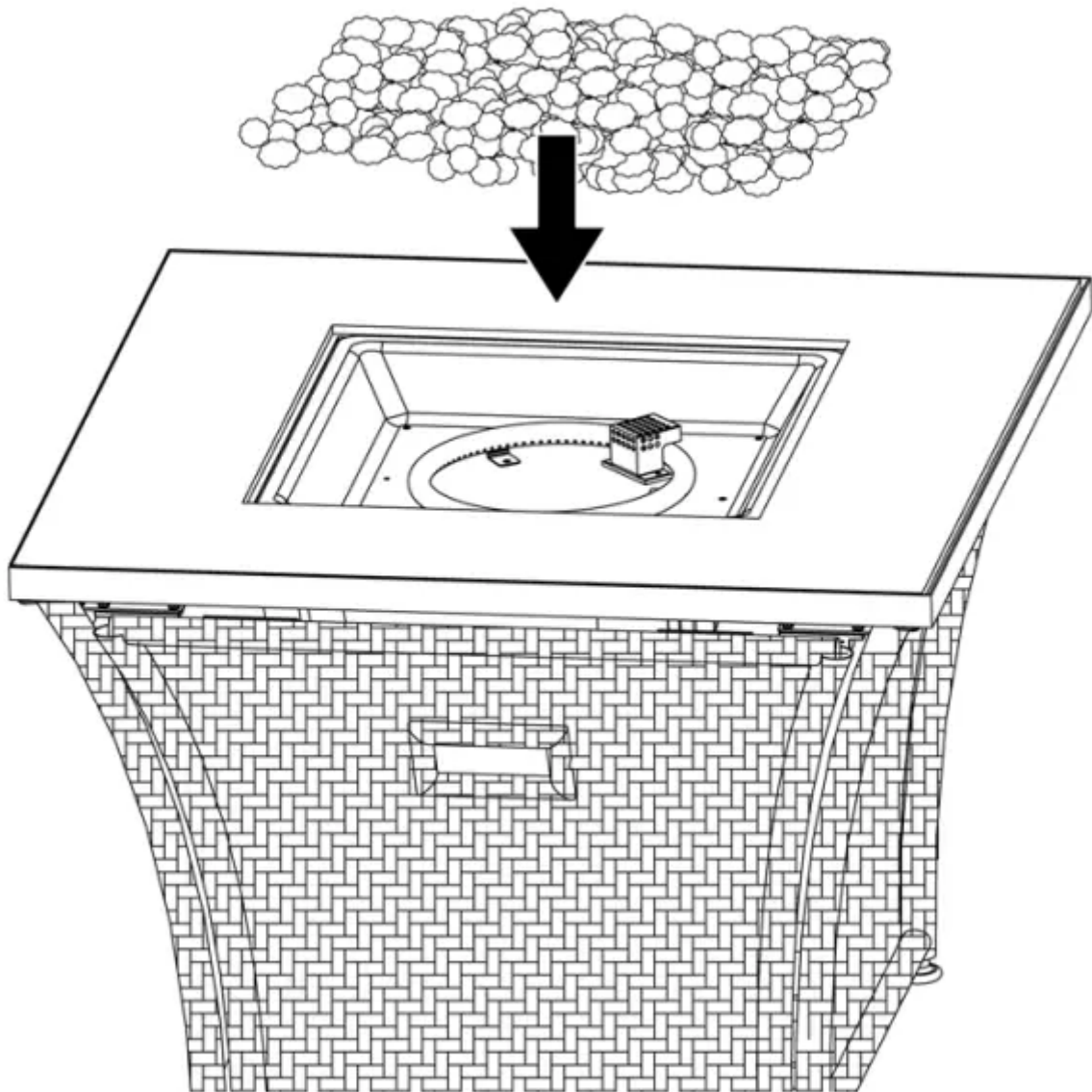
### 10. Place Lava Rocks

**CAUTION:** Do NOT dump lava rocks out of package. Carefully place lava rocks by hand so dust does not clog burner.

**CAUTION:** Use only Blue Rhino Global Sourcing, Inc. factoryauthorized lava rock. The use of any lava rock that is not factory-authorized can be dangerous and will void your warranty.

**CAUTION:** Do NOT cover igniter cover.

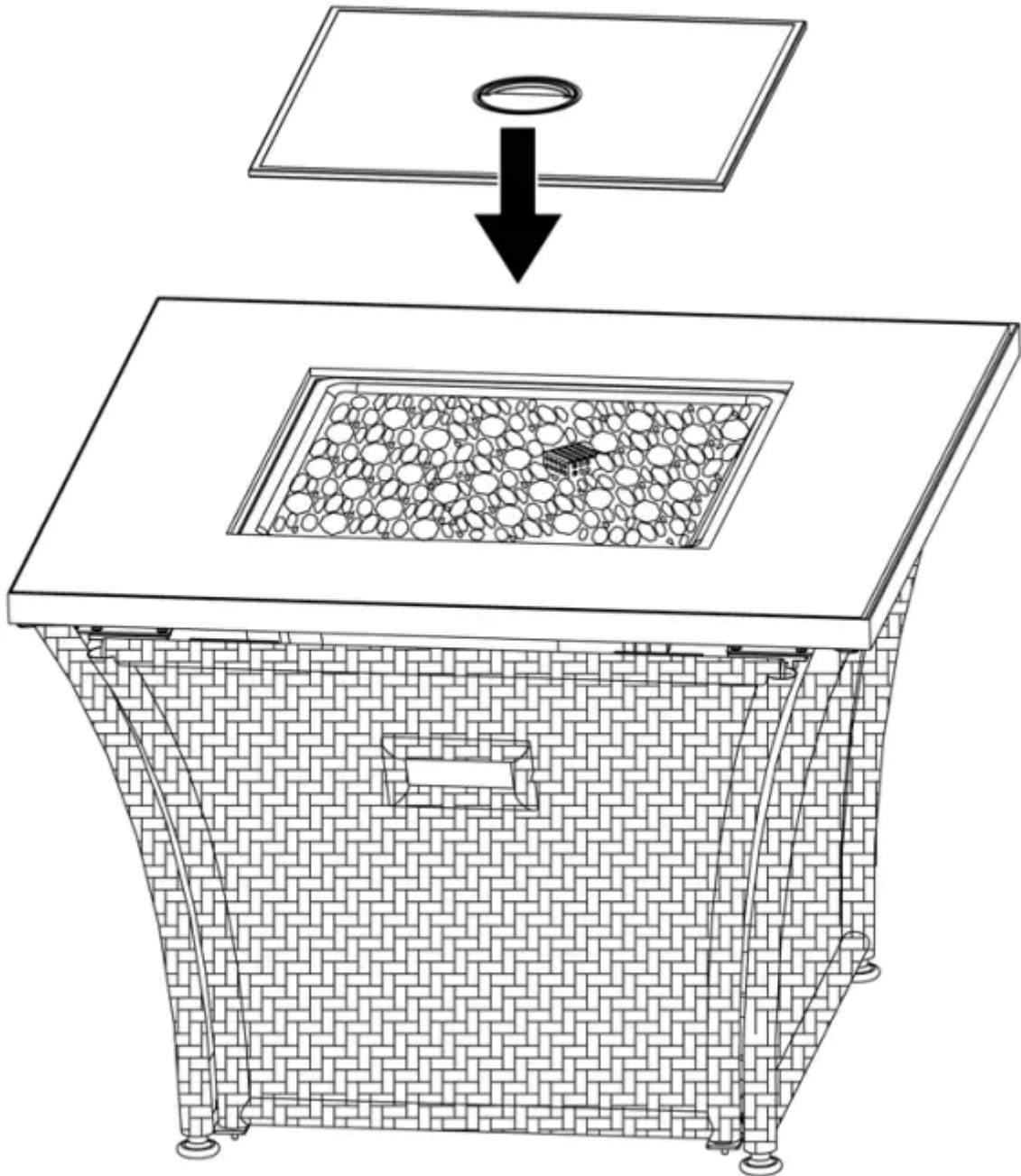
**Note:** Lava rocks should be 0.8-2.0 in. (2-5 cm) long. Approx. 6.6 lbs. (3 kg) of lava rocks are needed.



### 11. Place Table Insert

**WARNING:** NEVER light the burner with the table insert on the outdoor fireplace.

**CAUTION:** Wait until the outdoor fireplace is cool before placing the table insert.



## OPTIONAL ITEM SOLD SEPARATELY

### 12. Place Fire Glass

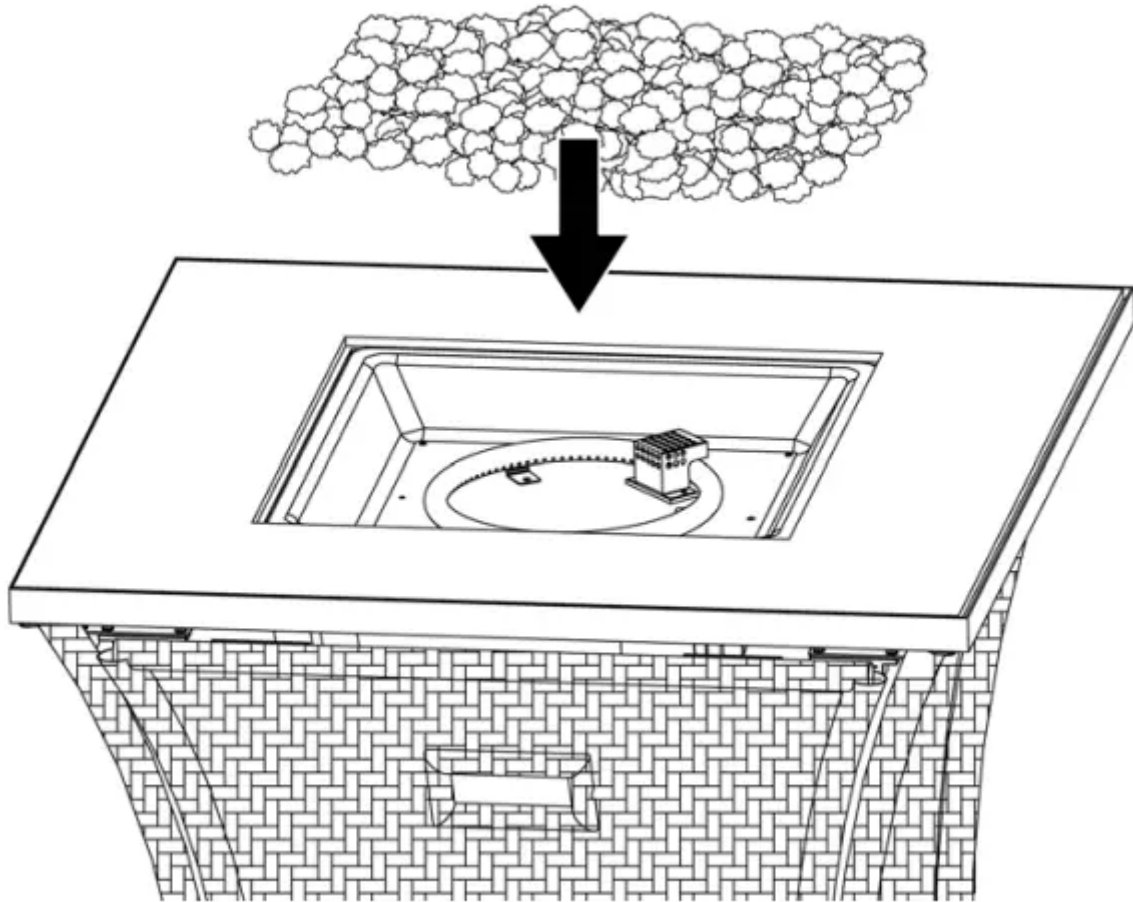
**CAUTION:** When switching from lava rock, remove all lava rock before placing fire glass.

**CAUTION:** Do NOT dump fire glass out of package. Carefully place fire glass by hand so dust does not clog burner.

**CAUTION:** Use only Blue Rhino Global Sourcing, Inc. factoryauthorized fire glass. The use of any fire glass that is not factory-authorized can be dangerous and will void your warranty.

**CAUTION:** Do NOT cover igniter cover.

**Note:** Fire glass should be 0.8-2.0 in (2-5 cm) long. Approx. 13.2 lb (6 kg) of fire glass are needed.



### Installing LP Gas Tank


To operate, you will need one precision-filled standard grill LP gas tank with external valve threads.

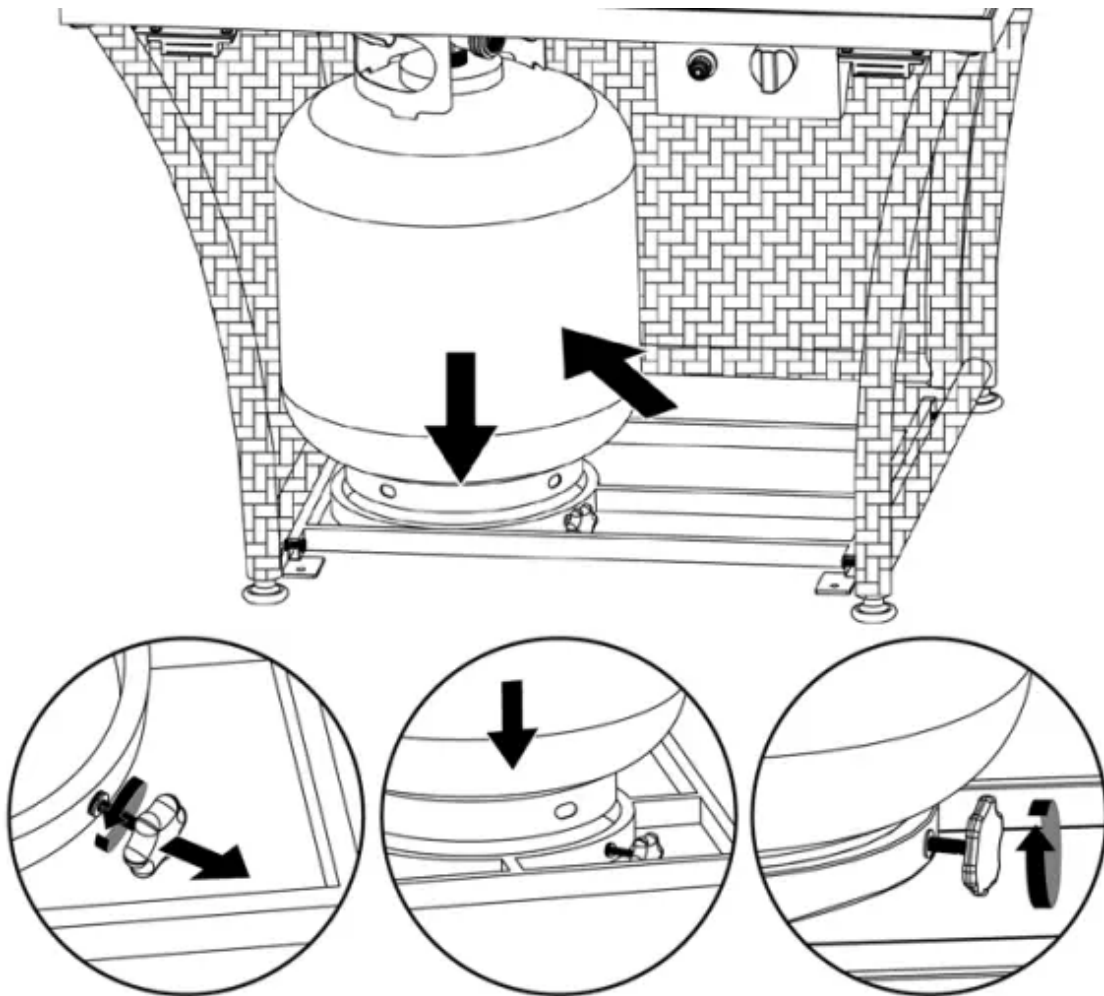
**CAUTION:** LP gas tank must be properly disconnected and removed prior to moving this outdoor fireplace.



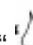
## Inserting LP Gas Tank

**WARNING:** Make sure LP gas tank valve is closed.

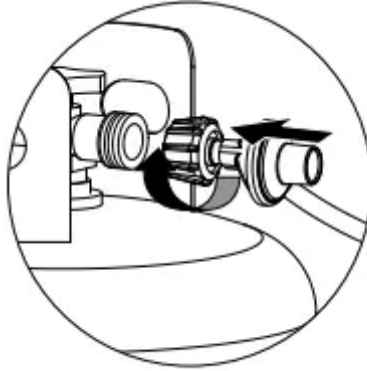
1. Remove door.
2. Make sure the control knob is in the “ OFF” position (Figure 3).
3. Loosen LP gas tank retainer bolt by turning counter-clockwise.
4. Place precision-filled LP gas tank upright into hole in outdoor fireplace base so the tank valve is facing the gas line connection.
5. Secure tank by turning LP gas tank retainer bolt clockwise until tight.
6. Replace door.



## Connecting LP Gas Tank

1. Make sure the control knob is in the “ OFF” position (Figure 3).
2. Before connecting, be sure there is no debris caught in the head of the LP gas tank, head of the regulator valve or in the head of the burner or burner ports.

3. Connect regulator/hose assembly to tank by turning knob clockwise until it stops.
4. Perform leak check per "Checking for Leaks" section.

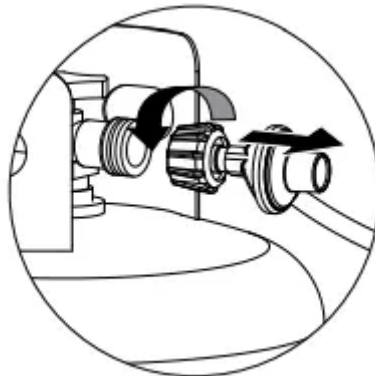


### Disconnecting LP Gas Tank

1. Make sure the control knob is in the "OFF" position (Figure 3).
2. Before disconnecting, make sure the LP gas tank valve is "CLOSED."
3. Disconnect regulator/hose assembly from LP gas tank by turning knob counterclockwise until it is loose.

**CAUTION:** LP gas tank must be properly disconnected and removed prior to moving this grill.

4. Place the protective cap cover on the LP tank and store the tank outdoors in a well ventilated area out of direct sunlight.

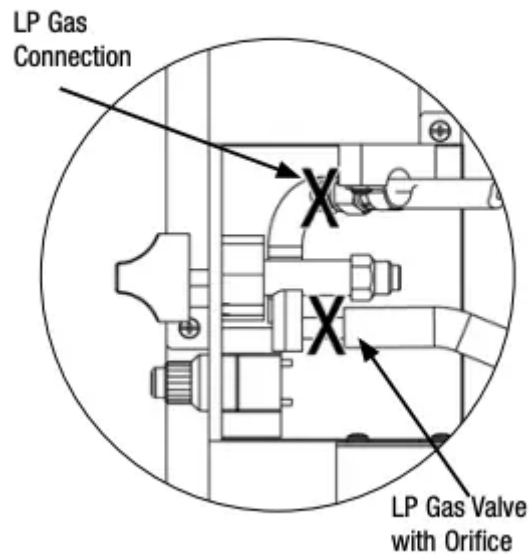


## Operating Instructions

### Checking for Leaks

**WARNING:** Before using this outdoor fireplace, make sure you have read, understand and are following all information provided in the "Important Safeguards" section. Failure to follow those instructions can cause death, serious injury or property damage.

Figure 1



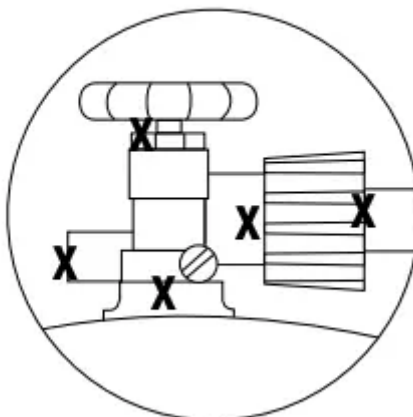
### Burner Connections

1. Make sure the regulator hose and valve connections are securely fastened to the burner and the tank.
2. Visually check the connection between the burner/venturi tube and orifice.
3. Make sure the burner/venturi tube fits over the orifice.

**WARNING:** Failure to inspect this connection or follow these instructions could cause a fire or an explosion which can cause death, serious bodily injury or damage to property.

4. Please refer to diagram for proper installation (Figures 1 and 2).
5. If the burner/venturi tube does not rest flush to the orifice, as shown, please contact 1.800.762.1142 for assistance.

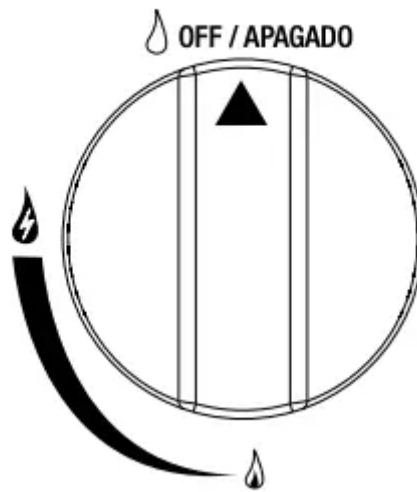
Figure 2



## Tank/Gas Line Connection

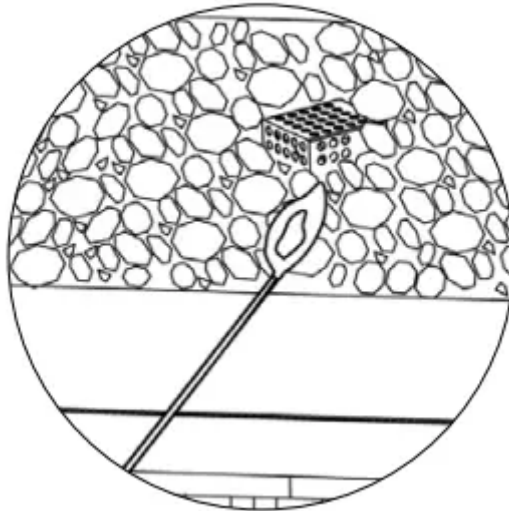
1. Make 2-3 oz. of leak detection solution by mixing one part liquid dishwashing soap with three parts water.
2. Make sure control knobs are in the “ OFF” position (Figure 3).
3. Connect LP gas tank per “Installing LP Gas Tank” section.
4. Turn LP gas tank valve to “OPEN.”
5. Spoon several drops of solution, or use a squirt bottle, at all “X” locations (Figures 1 and 2).

Figure 3



- a. If any bubbles appear, turn LP gas tank valve to “CLOSED,” reconnect and re-test.
- b. If you continue to see bubbles after several attempts, turn LP gas tank valve to “CLOSED” and disconnect LP gas tank, per “Disconnecting LP Gas Tank” section. Contact 1.800.762.1142 for assistance.
- c. If no bubbles appear after one minute, turn LP gas tank valve to “CLOSED,” wipe away solution and proceed.

Figure 4



## Lighting

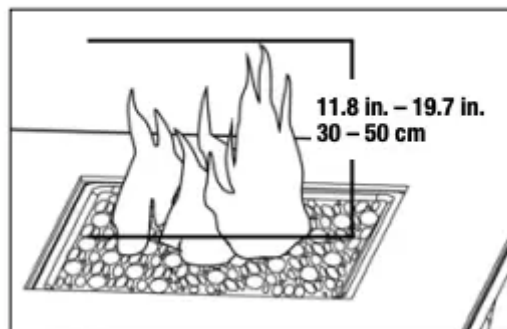
**WARNING:** NEVER light the burner with the cover on the outdoor fireplace.

**CAUTION:** Keep outdoor gas appliance area clear and free from combustible materials, gasoline and other flammable vapors and liquids.




**CAUTION:** Do NOT obstruct the flow of combustion and ventilation air.

**CAUTION:** Check and clean burner/venturi tubes for insects and insect nests. A clogged tube can lead to a fire.

Figure 5




1. Make sure all labels, packaging and protective films have been removed from the outdoor fireplace.
2. Check for obstructions of airflow to the burner. Spiders, insects and webs can clog the burner/venturi tube. A clogged burner tube can lead to a fire.
3. Control knob must be in the "OFF" position (Figure 3).
4. Clear small area of lava rocks / fire glass away from the igniter cover (Figure 4).

5. Connect LP gas tank per “Installing LP Gas Tank” section.
6. Turn LP gas tank valve to “OPEN.”
7. Push and turn control knob to  (HIGH). Continue to hold the control knob in to light.
8. After the fire table lights, continue to hold the control knob in for 20 seconds to heat the thermocouple, a safety device that stops the gas flow when a firepit is not lit. Holding the knob in for 20 seconds warms it up so the gas flow will continue.
9. After 20 seconds, release and turn control knob counterclockwise to adjust flame to desired height.
10. After three attempts, if ignition does not occur, turn the burner control knob to “ OFF.”
11. Wait 5 minutes, fan with a newspaper or magazine, and repeat lighting procedure.
12. If igniter does not light burner:
  - a. Wearing heat-resistant gloves, position a lit long match or lit long butane lighter near the pilot housing.
  - b. Push and turn control knob to  (HIGH).
  - c. Remove match/lighter once burner is lit.

**CAUTION:** After lighting - using a fireplace tool and heat-resistant gloves, carefully move the lava rock / glass rock back to their proper position, being careful to avoid the flame.

13. After lighting, observe the burner flame. Make sure all burner ports are lit and flame height matches illustration (Figure 5).

**CAUTION:** If ignition does not occur in 5 seconds, turn control knob to “ OFF,” wait 5 minutes, fan with a newspaper or magazine, and repeat lighting procedure.

## Turning Off

1. Turn LP gas tank valve to “CLOSED.”
2. Turn control knob to the “ OFF” position. **Note:** A “poof” sound is normal as the last of the LP gas is burned.
3. Disconnect LP gas tank per “Disconnecting LP Gas Tank” section.

## Cleaning and Care

### CAUTION:

All cleaning and maintenance should be done when outdoor fireplace is cool and with the fuel supply disconnected.

1. Do NOT clean any outdoor fireplace part in a self-cleaning oven.
2. The extreme heat will damage the finish.
3. Do NOT enlarge valve orifices or burner ports when cleaning the valves or burners.
4. All components on this outdoor fireplace can become hot.
5. Do NOT clean this outdoor fireplace until all components are cool.

## **Notices**

1. This outdoor fireplace should be thoroughly cleaned and inspected on a regular basis.
2. Abrasive cleaners will damage this product.
3. NEVER use oven cleaner to clean any part of this outdoor fireplace.

## **Before Each Use:**

1. Keep the outdoor fireplace area clear and free from any combustible materials, gasoline, and other flammable vapors and liquids.
2. Do NOT obstruct the flow of the combustion of LP gas and the ventilation of air.
3. Keep the ventilation opening(s) of the LP gas tank area free and clear from debris.
4. Visually check the burner flames to make sure your outdoor fireplace is working properly (Figure 5).
5. See below for proper cleaning instructions.
6. Check all gas connections for leaks.
7. Check components for any signs of damage or rust.
8. Check for obstructions of airflow to the burner. Spiders, insects and webs can clog the burner/venturi tube. A clogged burner/venturi tube can lead to a fire.
9. If damage to any component is detected, do NOT operate until repairs are completed.

## **Cleaning Surfaces**

1. Wipe surfaces clean with mild dishwashing detergent or baking soda mixed with water.
2. For stubborn stains, use a citrus-based cleaner and a nylon scrubbing brush.
3. Rinse clean with water.
4. Allow to air dry.

## **Before Storing**

1. Turn LP gas tank valve to "CLOSED."

2. Turn control knob to the “ OFF” position. **Note:** A “poof” sound is normal as the last of the gas is burned.
3. Disconnect LP gas tank per “Disconnecting LP Gas Tank” section.
4. Clean all surfaces.
5. Lightly coat the burner with cooking oil to prevent excess rusting.

**CAUTION:** NEVER place cover on hot outdoor fireplace.

6. If storing the outdoor fireplace indoors, cover the outdoor fireplace and store in a cool dry location away from children and pets.
7. If storing the outdoor fireplace outdoors, cover the outdoor fireplace with a cover for protection from the weather.

# Troubleshooting



Problem	Possible Cause	Prevention/Cure
<b>Burner will not light using igniter</b>	LP gas tank valve is closed	Make sure regulator is securely attached to the LP gas tank per "Installing LP Gas Tank," then turn LP gas tank valve to "OPEN"
	LP gas tank is low or empty	Exchange, refill or replace LP gas tank
	LP gas leak	<ol style="list-style-type: none"> <li>1. Turn LP gas tank valve to "CLOSED"</li> <li>2. Wait 5 minutes for gas to clear</li> <li>3. Follow "Checking for Leaks" section</li> </ol>
	Battery needs to be changed	Replace the "AA" battery (follow assembly step for inserting battery)
	Electrode and burners are wet	Wipe dry with cloth
	Electrode cracked or broken - sparks at crack	Replacement part(s) may be needed - contact Customer Care at 800.762.1142
	Wire loose or disconnected	Reconnect wire or replacement part(s) may be needed - contact Customer Care at 800.762.1142
	Wire is shorting (sparking) between igniter and electrode	Replacement part(s) may be needed - contact Customer Care at 800.762.1142
	Thermocouple is not operating correctly	<ol style="list-style-type: none"> <li>1. Disconnect LP Gas tank per "Disconnect LP Gas Tank" section.</li> <li>2. Clean area around thermocouple.</li> <li>3. Connect LP gas tank per "Connect LP Gas Tank" section.</li> <li>4. Relight per "Lighting" section.</li> </ol>



		5. If the outdoor fire table is still not working, please contact Customer Care at 800.762.1142 for additional assistance.
	Bad igniter	Replacement part(s) may be needed - contact Customer Care at 800.762.1142
<b>Burner will not light with match</b>	No gas flow	Check if LP gas tank is empty a. If empty, exchange, refill or replace LP gas tank b. If LP gas tank is not empty, refer to "Sudden drop in gas flow or reduced flame height" (see below)
	LP gas tank is low or empty	Exchange, refill or replace LP gas tank
	LP gas leak	1. Turn LP gas tank valve to "CLOSED" 2. Wait 5 minutes for gas to clear 3. Follow "Checking for Leaks" section
	Coupling nut and regulator not fully connected	Turn the coupling nut about one-half to three-quarters additional turn until solid stop. Tighten by hand only - do NOT use tools
	Obstruction of gas flow	1. Clear burner/venturi tube 2. Check for bent or kinked hose
	Disengagement of burner to valve	Re-engage burner and valve
	Spider webs or insect nest in burner/venturi tube	Clean burner/venturi tube



	Thermocouple is not operating correctly	<ol style="list-style-type: none"> <li>1. Disconnect LP Gas tank per “Disconnect LP Gas Tank” section.</li> <li>2. Clean area around thermocouple.</li> <li>3. Connect LP gas tank per “Connect LP Gas Tank” section.</li> <li>4. Relight per “Lighting” section.</li> <li>5. If the outdoor fire table is still not working, please contact Customer Care at 800.762.1142 for additional assistance.</li> </ol>
	Burner ports clogged or blocked	Clean burner ports
Sudden drop in gas flow or reduced flame height	Overfilling prevention device may have been activated	<ol style="list-style-type: none"> <li>1. Turn control knob to “ OFF”</li> <li>2. Wait 30 seconds and light outdoor fire table per “Lighting” section</li> <li>3. If flames are still too low, reset the overfilling prevention device: <ol style="list-style-type: none"> <li>a. Turn control knob(s) “ OFF”</li> <li>b. Turn LP gas tank valve to “CLOSED”</li> <li>c. Disconnect regulator</li> <li>d. Turn control knobs to (HIGH)</li> <li>e. Wait one minute</li> <li>f. Turn control knobs to “ OFF”</li> <li>g. Reconnect regulator and leak check connections, being careful not to fully open valve</li> <li>h. Light outdoor fire table per “Lighting” section</li> </ol> </li> </ol>
	Burner ports are clogged or blocked	Clean burner ports



<b>Irregular flame pattern, flame does not run the full length of burner</b>		
<b>Flame is yellow or orange</b>	New burner may have residual manufacturing oils	Burn outdoor fire table for 15 minutes and reinspect
	Spider webs or insect nest in burner/venturi tube	Clean burner/venturi tube
	Poor alignment of valve to burner/venturi tube	Ensure burner/venturi tube is properly engaged with valve
<b>Flame goes out</b>	High or gusting winds	Do not use outdoor fire table in high winds
	Low on LP gas	Exchange, refill or replace LP gas tank
	Excess flow valve tripped	Refer to “Sudden drop in gas flow or reduced flame height”
	Thermocouple is not operating correctly	<ol style="list-style-type: none"> <li>1. Disconnect LP Gas tank per “Disconnect LP Gas Tank” section.</li> <li>2. Clean area around thermocouple.</li> <li>3. Connect LP gas tank per “Connect LP Gas Tank” section.</li> <li>4. Relight per “Lighting” section.</li> <li>5. If the outdoor fire table is still not working, please contact Customer Care at 800.762.1142 for additional assistance.</li> </ol>
<b>Flashback (fire in venturi/burner tube(s))</b>	Burner and/or burner/venturi tube is blocked	Clean burner and/or burner/venturi tube
<b>Flame seems to lose heat when burning in cold weather - temperature below 50°F</b>	Ice has built up on the outside of the LP gas tank because the vaporization process is too slow	<ol style="list-style-type: none"> <li>1. Turn off per “Turning Off” section</li> <li>2. Replace with a spare LP gas tank</li> </ol>



- |  |  |   |
|--|--|---|
|  |  | <ol style="list-style-type: none"><li>3. Reconnect LP gas tank per “Installing LP Gas Tank” section</li><li>4. Follow “Checking for Leaks” section</li><li>5. Light outdoor fire table per “Lighting” section</li></ol> |
|--|--|---|

**Warning**

This content is compiled from multiple sources and is provided for reference purposes only. It may not be complete or fully applicable to all situations. If you are unable to resolve your issue, please contact the product manufacturer or an authorized service provider for official support.

