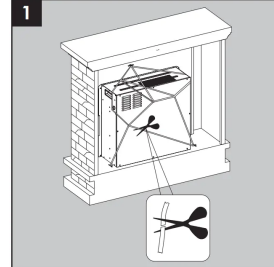


ASSEMBLY INSTRUCTIONS

1. Remove the ribbon which is used for fixing firebox by scissor.



2. Warning: You must install the tip restraint hardware to help prevent any accidents or damage to the unit. We strongly recommend attaching the tip restraint hardware to a wall stud and your unit. For all other wall types, please visit your local hardware store to obtain the proper hardware.

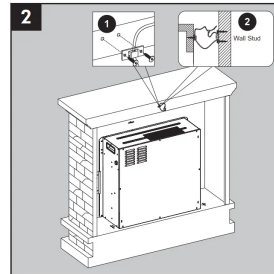
Hardware Used



Tip Restraint Hardware

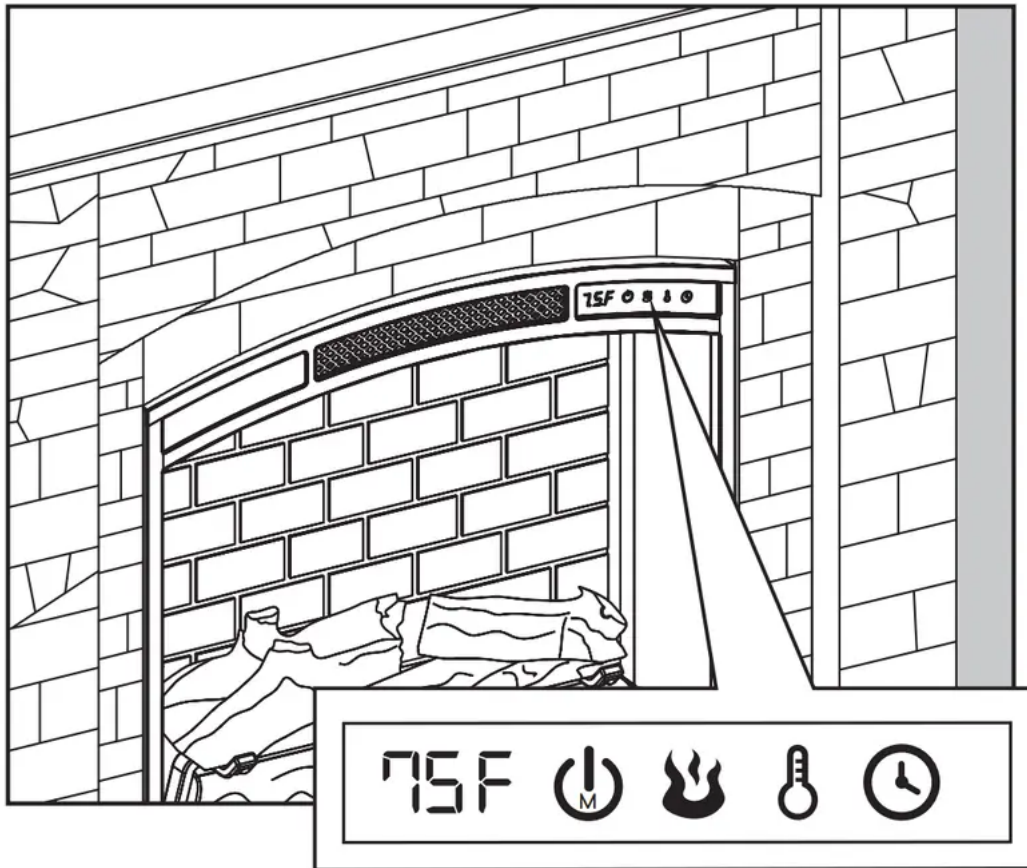


x 1



OPERATING INSTRUCTIONS

Control Panel



Remote Control

To use the remote control, first insert two AAA batteries (included) into the remote control. Ensure the polarities of the batteries match the inside of the battery compartment.

Note: The control panel is a touch screen. It will appear black. Touch the control panel once to “wake up” the controls. This will cause the controls to light up. Whichever icon you touch will display its last setting when you do this. At this time, you can press the corresponding icon to the function you would like to adjust. After 5 seconds the touch screen will fade to black.



Power Function

- Press the POWER ICON to turn the main power to the unit ON or OFF.
- When the unit is powered ON, the lights under the ember bed will glow to indicate the unit has power.

- If any functions are stored in memory then they will resume at the last setting.



Flame Brightness Function

- Press the FLAME BRIGHTNESS ICON to adjust the flame brightness.
- If the unit main power is OFF, you can press the FLAME BRIGHTNESS ICON to power ON the unit and flame brightness will resume at the last setting.
- Press the FLAME BRIGHTNESS ICON again to scroll up through the flame brightness settings: 1, 2, 3, 4, 5, OFF.



Temperature Function

- Press the TEMPERATURE ICON to adjust the heater's thermostat setting.
- If the unit is powered OFF, you can press the TEMPERATURE ICON to power ON the unit. The ember bed will glow at the lowest brightness setting unless a different setting was saved in the memory.
- Press the TEMPERATURE ICON again to scroll up through the pre-set temperature settings: The thermostat setting range is 65°F (18°C) to 90°F (32°C), HI (High) and OFF.
- Set the temperature to "HI" to have the heater run continually.
- Press and hold the TEMPERATURE & TIMER ICON for 5 seconds to toggle between 5°F (3°C) increments and 1°F (1°C) increments when setting the temperature. The unit will beep to indicate that the change has taken place. The factory default temperature is 5°F (3°C) increments.
 - **Note:** This option is only available if using the control panel.
- Hold down the TEMPERATURE ICON for 5 seconds to toggle between Fahrenheit and Celsius. An "F" or "C" will display next to the temperature.
 - **Note:** This option is only available if using the control panel.
- Press and hold the TEMPERATURE ICON for 10 seconds to disengage the heater function. Press and hold the TEMPERATURE ICON for 10 seconds again to engage the heater function.
 - **Note:** This option is only available if using the control panel.



Timer Function

- Press the TIMER ICON to set the countdown for the unit's main power.

- If the unit is powered OFF, you can press the TIMER ICON to power ON the unit. The ember bed will glow at the lowest brightness setting unless a different setting was saved in the memory.
- Press the TIMER ICON again to scroll through the timer settings, which are: 30, 1H, 2H, 3H, 4H, 5H, 6H, 7H, 8H, 9H, OFF. (30 means 30 minutes)
- When the timer reaches zero, it will turn OFF the main power and will maintain all the settings in memory.

HEATER OVERRIDE

The power to the heater can be disengaged to prevent the heater from being accidentally or unintentionally powered on. This feature is primarily added to help prevent children from powering on the heater when it is not desired.

- To engage the heater override function press and hold the TEMPERATURE ICON for 10 seconds. The symbol E3 will display and then go blank while beeping 3 times. The heater function is now locked. If the TEMPERATURE ICON is pressed again E3 will appear then fade. The Flame, Downlight and Timer functions will operate normally. Only the heater and blower are disengaged.
- To unlock the heater function, press and hold the TEMPERATURE ICON for 10 seconds. The symbol E3 will display and then go blank while beeping 3 times. The heater function is now engaged. By pressing the TEMPERATURE ICON again you will be able to adjust the heat temperature to your desired temperature.

MEMORY FUNCTION

This unit has a memory function that allows you to turn off the MAIN POWER and retains all the other function settings (excluding the TIMER function).

- When the unit's main power is OFF, press the POWER ICON once on the insert control panel or on the remote control to power the unit ON and “wake up” the individual function at the last setting. Press the icon again to adjust it and press the main POWER ICON on the insert or on the remote control to turn the unit OFF and save the new setting into memory.
- When the unit is powered ON, the LED readout will show the saved temperature setting. If a temperature setting was not saved, it will show the flame brightness setting saved in memory. If neither one has a setting saved to memory, then only the ember bed will glow (as a power light indicator).
- To reset the memory, hold down the main POWER ICON for 10 seconds at any time. When this happens, the LED readout will blink with three zeros three times the unit will be shut down.
- Another way to reset the memory is to unplug the unit from the wall.

CARE AND MAINTENANCE

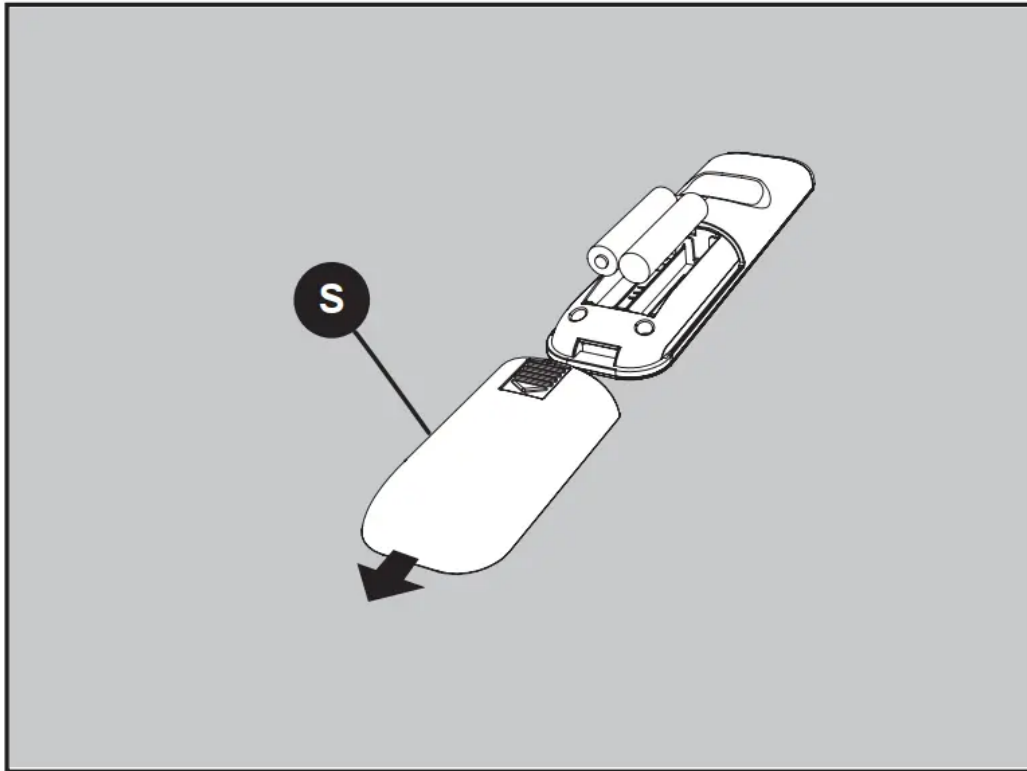
- Make sure the unit is turned OFF, unplugged and the heating elements of heater are cool whenever you are cleaning the heater or fireplace.
- Clean the metal trim using a water-dampened soft, clean cloth. DO NOT use brass polish or household cleaners as these products will damage the metal trim.
- The motors used on the fan and the flame generator assembly are pre-lubricated for extended bearing life and require no further lubrication. However, periodic cleaning/ vacuuming of the fan/heater and air intake/ output vents are recommended.
- When the heater is not in use, the power cord should be stored properly to avoid contact with hot or sharp objects.
- Any other servicing should be performed by an authorized service representative.

Replacing the Remote-Control Batteries

When the remote control (S) stops operating or its range seems reduced, it is time to replace the batteries. Note:

The batteries should be removed if the product is to be left unused for a long time.

1. The battery compartment is located on the back of the remote control (S).
2. Remove battery cover from the back of remote control (S) and remove old batteries.
3. Insert 2pcs AAA batteries, ensuring the polarities of the battery match the inside of the battery compartment.
4. Re-insert the battery door.



Note:

- Do not mix old and new batteries.
- Do not mix alkaline, standard (carbon-zinc), or rechargeable (nicad, nimh, etc.) batteries.
- Non-rechargeable batteries are not to be recharged. Exhausted batteries are to be removed from the product.
- Harmful if swallowed.

Disposal of Used Battery

A battery may contain hazardous substances that could be endangering the environment and human health.

- This symbol marked on the battery and/or packaging indicates that used battery shall not be treated as municipal waste. Instead it shall be left at the appropriate collection point for recycling.
- By ensuring the used battery is disposed of correctly, you will help prevent potential negative consequences for the environment and human health. The recycling of materials will help to conserve natural resources.
- Do not dispose of batteries in fire. Batteries may explode or leak.

For more information about collection and recycling of used batteries, please contact your local municipality, your waste disposal service or the point-of-sale where you purchased this battery.

TROUBLESHOOTING



PROBLEM	POSSIBLE CAUSE	CORRECTIVE ACTION
Error E1 displayed on control panel.	The overheat sensor has been engaged.	Unplug unit, wait 15-20 minutes, then the sensor resets itself. Plug the unit back in and turn on the heater. If the problem persists, call customer service. Note: The other functions will work normally except the heater. Until the problem is solved, the error will sound when the heater button is pressed.
Error E2 displayed on control panel.	The thermostat sensor is broken or not working correctly.	Unplug unit, wait 15-20 minutes, then the sensor resets itself. Plug the unit back in and turn on the heater. If the problem persists, call customer service. Note: The other functions will work normally except the heater. Until the problem is solved, the error will sound when the heater button is pressed.
Error E3 displayed on control panel.	Heater override function is engaged	To unlock the heater, simply press and hold the override button for 10 seconds (See page 8 Heater Override for more details).
No power; logs do not glow.	The unit does not have power.	Check that the power cord is securely plugged into a 120V outlet. Then check to make sure the unit is plugged into the outlet.
No flame effect but logs are glowing.	The flame effect is powered off.	Push the flame brightness button until desired level is achieved.
Heater and blower do not power on but rest of functions are working.	Heater override function is engaged.	To unlock the heater, simply press and hold the override button for 10 seconds (See page 8 Heater Override for more details).
Power cord gets warm to the touch.	Normal operation.	This is normal for a heater appliance as it requires high current to operate. Check the connections of the power cord and the outlet. Make sure the plug fits tightly into the outlet. During use, check the plug and outlet frequently to determine if it is HOT; if so, discontinue use of the heater and consult with a qualified electrician to check for an overheating outlet(s).



PROBLEM	POSSIBLE CAUSE	CORRECTIVE ACTION
Remote control does not work.	Weak or failing batteries.	Replace with 2 AAA batteries (See page 9 for more information.)
Remote control signal is weak and only works sometimes.	Pressing the buttons too quickly.	Press the buttons slowly and steadily to ensure the device recognizes the request.
	Using the remote control too far away or at an off angle.	Move closer to the insert; the remote control will work within a distance of 20 feet and 45 degrees to either side of the front of the fireplace insert.
Fan motor continues to blow after unit is powered off.	Normal operation.	This is a standard feature; the blower runs for a short time to cool off heater tubes.

SAFETY INFORMATION

Please read and understand this entire manual before attempting to assemble, operate or install the product.

This equipment has been tested and found to comply with the limits for Class B digital devices, pursuant to Part 15 of the FCC rules. These limits are designed to provide reasonable protection against harmful interference in a residential installation. The equipment generates, uses and can radiate radio frequency energy and, if not installed and used in accordance with the instructions, may cause harmful interference to radio or television reception, which can be determined by turning the equipment off and on. The user is encouraged to try and correct the interference by one or more of the following measures:

- Reorient or relocate the receiving antenna
- Increase the separation between the equipment and the receiver
- Connect the equipment into an outlet on a circuit different from that to which the receiver is connected.
- Consult the dealer or an experienced radio/TV technician for help.

This device complies with Part 15 of the FCC rules. Operation is subject to the following two conditions:

1. This device may not cause harmful interference, and

2. This device must accept any interference received, including interference that may cause undesired operation.

Modifications not approved by the party responsible for compliance could void user's authority to operate the equipment.

This Class B digital apparatus complies with Canadian ICES-003.

IMPORTANT INSTRUCTIONS

When using electrical appliances, basic precautions should always be followed to reduce the risk of fire, electric shock and injury to persons, including the following:

DANGER

- Read all instructions before using this heater.
- If the information in this manual is not followed exactly, an electric shock or fire may result causing property damage, personal injury or loss of life.

WARNING

- This appliance is hot when in use. To avoid burns,
- DO NOT let bare skin touch hot surfaces. Keep combustible material, such as furniture, pillows, bedding, papers, clothes and curtains at least 3 feet from this appliance and keep them away from the sides and rear.
- Extreme caution is necessary when any heater is used by or near children or individuals with disabilities and whenever the fireplace is left operating and unattended.
- DO NOT run cord under carpeting. DO NOT cover cord with throw rugs, runners, or similar coverings.
- DO NOT route cord under furniture or appliances. Arrange cord away from traffic areas and where it will not be tripped over. DO NOT insert or allow foreign objects to enter any ventilation or exhaust opening as this may cause an electric shock or fire, or damage the appliance.
- This appliance has hot and arcing or sparking parts inside. DO NOT use it in areas where gasoline, paint or flammable vapors or liquids are used or stored. This fireplace should not be used as a drying rack for clothing. Christmas stockings or decorations should not be hung in the area of it.
- Use this appliance only as described in the manual. Any other use is NOT recommended by the manufacturer and may cause fire, electric shock or injury to persons.

CAUTION

- If possible, ALWAYS unplug this appliance when not in use.
- DO NOT operate any heater with a damaged cord or plug or after the heater malfunctions. DO NOT operate any heater if it has been dropped or damaged in any

manner. Disconnect power at service panel and have heater inspected by a reputable electrician before reusing.

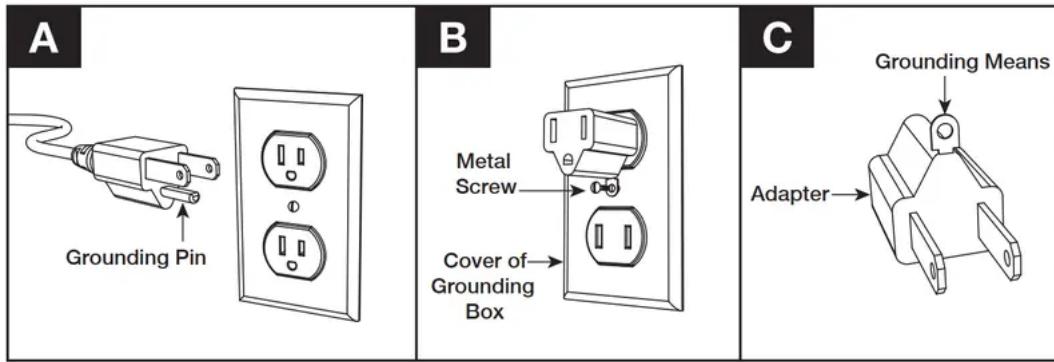
- Any repairs to this fireplace should be carried out by a qualified service person.
- Under no circumstances should this fireplace be modified. Parts having to be removed for servicing must be replaced prior to operating this fireplace again.
- DO NOT use outdoors.
- This heater is not intended for use in bathrooms, laundry areas and similar indoor locations. NEVER place heater where it may fall into a bathtub or other water container.
- To disconnect this appliance, turn controls to the off position, then remove plug from outlet.
- ONLY connect to properly grounded outlets.
- This appliance, when installed, must be electrically grounded in accordance with local codes, with the current CSA C22.1 Canadian Electrical Code or follow U.S.A. Installations, follow local codes and the National Electrical Code, ANSI/NFPA N0.70.
- To prevent a possible fire, DO NOT block air intakes or exhaust in any manner. DO NOT use on soft surfaces, like a bed, where opening may become blocked.
- The heaters MUST NOT be located immediately below a socket-outlet.
- ALWAYS plug heaters directly into a wall outlet / receptacle. NEVER use with an extension cord or re-loadable power tap (outlet / power strip).
- DO NOT slide insert on top of wood to avoid scratching wood surface.
- DO NOT place any object on top of the insert or block the air intakes / vents as this can cause the unit to overheat and could cause a fire.

Electrical Connection

A 15-Amp, 120-volt, 60 Hz circuit with a properly grounded outlet is required. Preferably, the fireplace will be on a dedicated circuit as other appliances on the same circuit may cause the circuit breaker to trip or the fuse to blow when the heater is in operation. The unit comes standard with 6-ft. three- wire cord, exiting from the rear of the fireplace. DO NOT exceed the current rating of the current tap.

Grounding Instructions

This heater is for use on 120 volt. The cord has a plug as shown below. See illustration or grounding instruction. An adapter as shown at C is available for connecting three-blade grounding type plugs to two-slot receptacles. The green grounding plug extending from the adapter must be connected to a permanent ground such as a properly grounded outlet box. The adapter should not be used if a three-slot grounded receptacle is available.

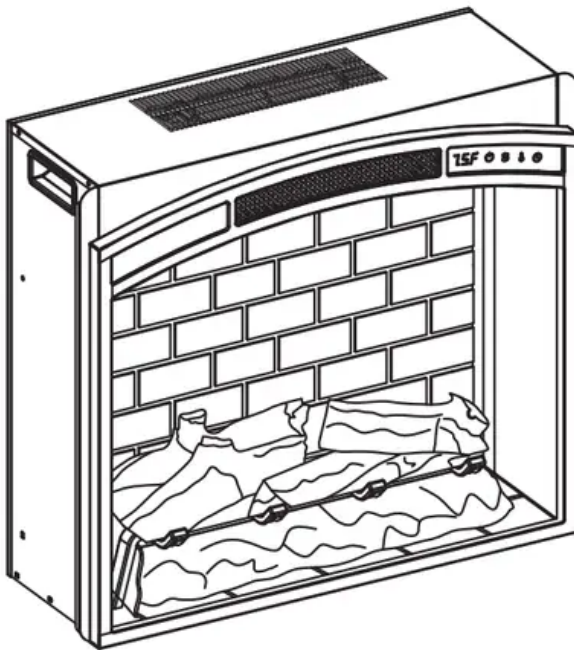


PACKAGE CONTENTS

N

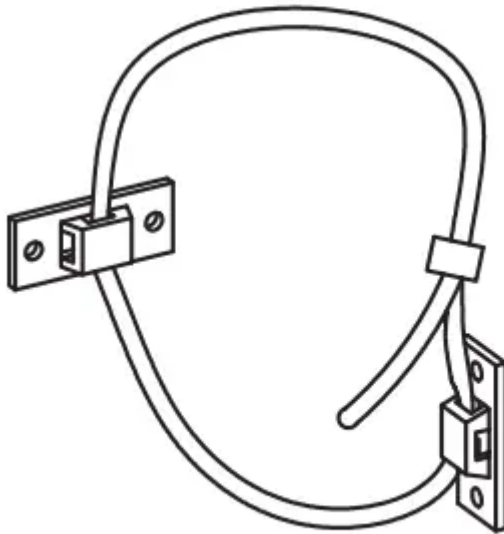
S

T



PART	DESCRIPTION	QUANTITY
N	Insert	1
S	Remote Control	1
T	Battery	2

HARDWARE CONTENTS (NOT SHOWN ACTUAL SIZE)



PART	DESCRIPTION	QUANTITY
AA	Tip Restraint Hardware	1

Warning

This content is compiled from multiple sources and is provided for reference purposes only. It may not be complete or fully applicable to all situations. If you are unable to resolve your issue, please contact the product manufacturer or an authorized service provider for official support.