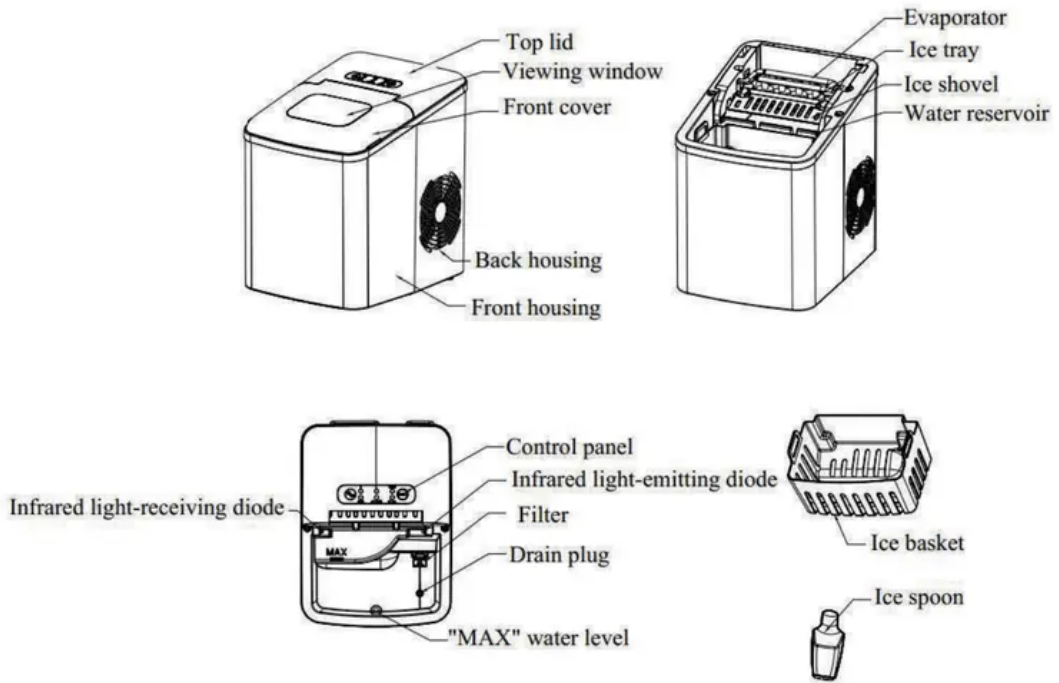
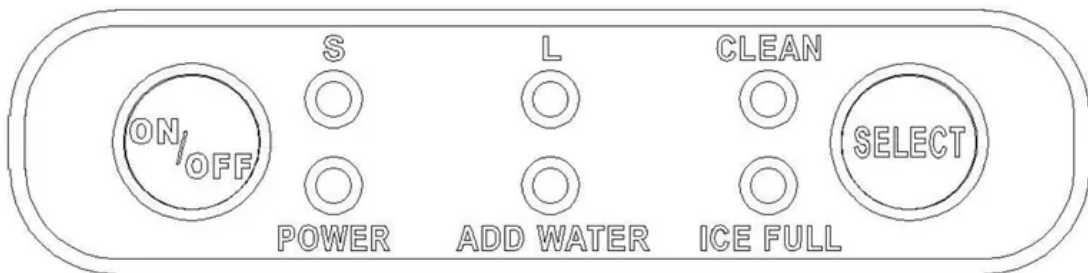


KNOW YOUR ICE MAKER



(Product may be subject to change without prior notice)

CONTROL PANEL



Key (with indicator)	Function
ON/OFF	Start or stop the appliance
POWER	Standby mode: "POWER" indicator blinks; Working condition: "POWER" indicator lights solidly.
ICE FULL	"ICE FULL" indicator lights up when the ice basket is full.
ADD WATER	"ADD WATER" indicator lights up when the water reservoir is lack of water.
S	The indicator lights up when select small ice.
L	The indicator lights up when select large ice.
CLEAN	"CLEAN" indicator lights up when the appliance is cleaned
SELECT	Can select "S", "L" or "CLEAN" under standby mode, after power on, can select "S" or "L".

BEFORE FIRST USE

1. Unpack the appliance, then check and make sure that all the accessories including ice basket and ice scoop etc. are complete. Please contact with the client service department if some accessories are missed.
2. Please ensure the ice maker is level and on a stable table or platform to avoid malfunction.
3. The incline angle of the ice maker cabinet should not exceed 45 during transportation or use. Do not turn the ice maker upside down. Doing so could cause the compressor or refrigerating system to operate incorrectly. Please allow time for the fluids in the compressor to settle after the ice maker is moved or transported. Before using the ice maker for the first time, please wait for 2 hours after the unit has been leveled and positioned in the proper place.

4. The appliance must be placed on a dry and level surface with sufficient ventilation, far from heat sources such as ovens, heaters and corrosive gases. Leave about a 6-inch (15cm) clearance on all sides of the ice maker for proper ventilation.
5. Do not fill the water reservoir with hot water. This may damage the ice maker. It is best to fill the water reservoir with water of room temperature or lower.
6. Do not use the appliance at a very cold environment (lower than 5°C).
7. Clean the appliance by following the operation of **"CLEANING AND MAINTENANCE"** before operate.

USING YOUR ICE MAKER

1. Ensure that the drain plug at the bottom of water reservoir is closed well.
2. Plug the ice maker into the wall outlet, the "POWER" indicator blinks.

NOTE: Please make the ice maker be rested for 30 minutes before plug if it has been moved.

1. Open the top lid and remove the ice basket.
2. Fill the water reservoir with drinking water.

NOTE: Do not fill above the MAX water level mark.

1. Replace the ice basket and close the top lid.
2. Press "ON/OFF" key, and the "POWER" indicator lights solidly. At that time, press "SELECT" key to select the ice size. If need to clean the appliance, press "SELECT" key to select "CLEAN" function under standby mode.
3. The ice-making cycle will last approximately 7-15 minutes, depending on the ambient temperature and water temperature.
4. The ice-making cycle starts with water being pumped into the ice tray situated below the evaporator. Over the next 7-15 minutes ice forms on the evaporator. Once this has completed, the ice tray will tilt backwards and the remaining water in the ice tray is drained back into the water reservoir. The ice cubes are the dropped from the evaporator and pushed forward into the ice basket by the ice shovel. The ice tray will automatically move back into position under the evaporator and start the next cycle.
5. The "ICE FULL" indicator will light up when the ice basket is full and then the ice maker will stop the ice-making cycle automatically. Gently remove the ice from the ice basket with the ice scoop. About 7.5 seconds later, the ice maker will restart its ice making function automatically.
6. The "ADD WATER" indicator will light up when the water reservoir is lack of water and the ice-making cycle will stop automatically. At that time, remove the ice basket and add water to the water reservoir, **and then press "ON/OFF" key again to restart the ice-**

making cycle. The appliance will start working automatically after about 20 minutes if the operator forgets to restart the appliance after refill.

7. When you have got your desired amount of ice, stop the ice making cycle by pressing the "ON/OFF" key and unplug the unit from the wall outlet.
8. Open the top lid and transfer the ice to a freezer.
9. Allow the ice maker to reach room temperature.
10. Suggest replacing the water every a week. Please empty the water reservoir if the ice maker is not used for a long time.

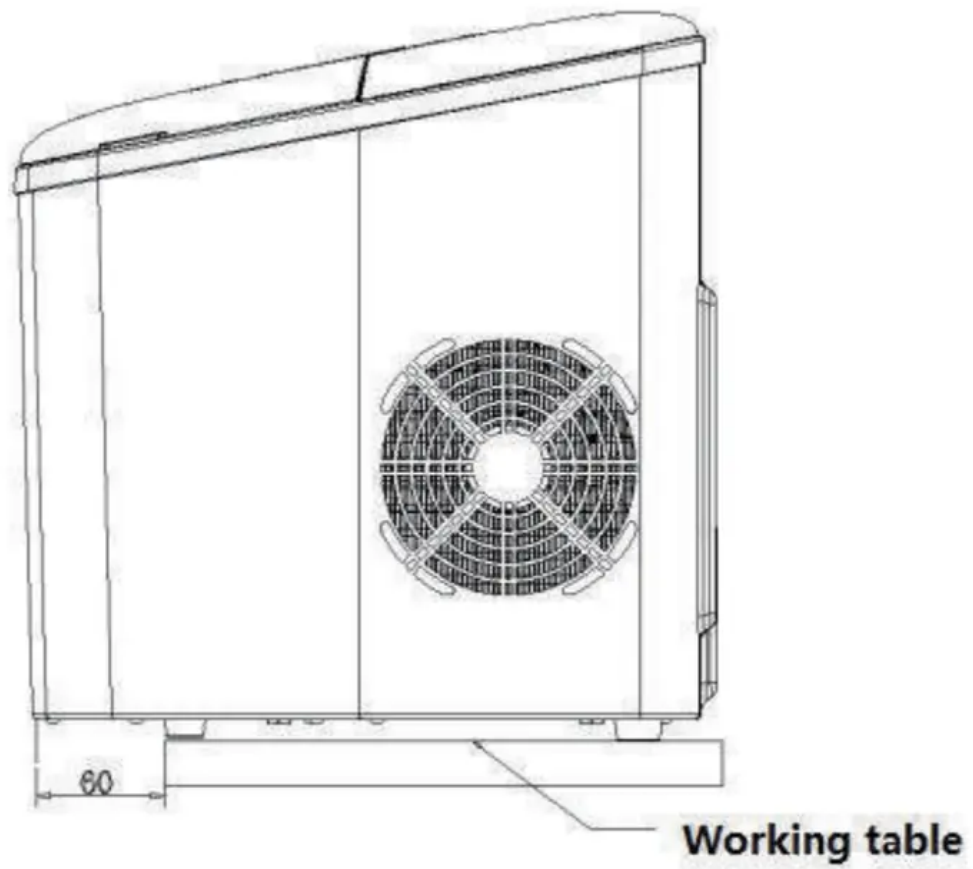
CLEANING AND MAINTENANCE

To keep your ice tasting fresh and your ice maker looking great, we recommend cleaning your ice maker once per week.

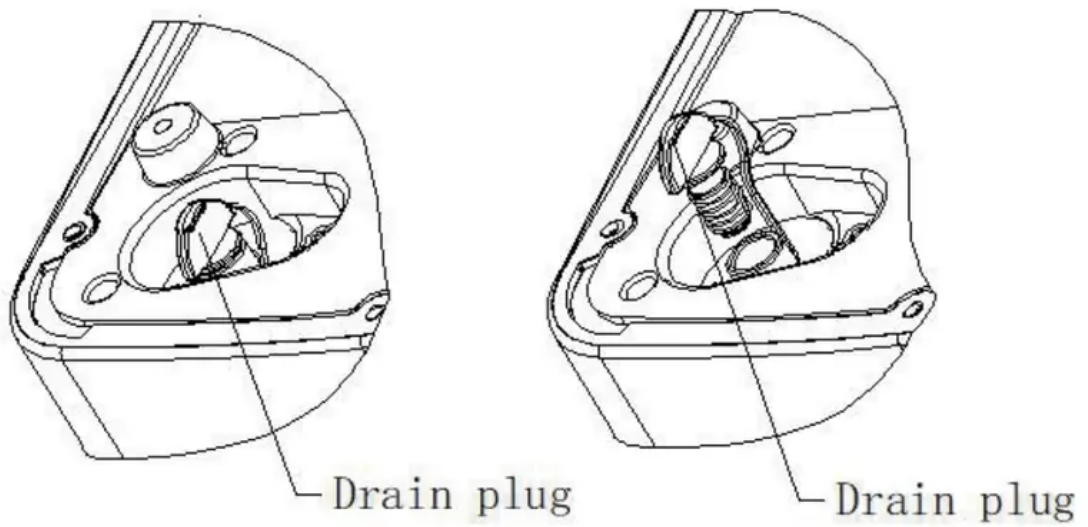
1. Stop the ice-making cycle by pressing the "ON/OFF" key, Wait five minutes and unplug.
2. If residual water is found in the ice tray, gently push the ice tray back so that all water drains into the water reservoir.
3. Move the appliance forward to a place 60mm away from the working table and open the drain plug to drain out excess water (see Fig.4, Fig.5 and Fig.6).
4. Check and make sure the drain plug must be closed well. Fill the water reservoir with clean water, press 'SELECT' until the 'CLEAN' indicator flashes, then press the "ON/OFF" key, the pump will start to pump water and keep running for 6 minutes, and it will enter into standby condition after running for 6 minutes, finally, open the drain plug and empty the water.
5. Remove the ice basket.
6. Clean the ice maker interior with a soft cloth soaked with warm water and vinegar, then rinse with clean water and then drain all the water.
7. Replace the drain plug well in position. Wash the ice basket and ice scoop soapy water. Rinse and dry in warm
8. Clean the exterior of the ice maker with a soft damp cloth. Use a mild dishwashing soap, if necessary.

NOTE:

1. Do not use organic solvent, boiled water, detergent, strong acid and strong alkali etc. for cleaning.
2. Do not clean the evaporator.
3. Please empty the water reservoir and dry it for storage if the ice maker is not used for a long time.



(Fig.1)



(Fig.2)

(Fig.3)

TROUBLESHOOTING



Problem	Possible causes	Solution
"ADD WATER" indicator turns on	<ol style="list-style-type: none"> 1. Low water level or lack of water 2. The water screen at the bottom of water reservoir is blocked. 3. Pump malfunction. 	<ol style="list-style-type: none"> 1. Stop making ice, refill water and then press "ON/OFF" key to restart ice-making cycle. 2. Do cleaning 3. Send it to the authorized department for repair.
"ICE FULL" indicator lights up	<ol style="list-style-type: none"> 1. Ice basket is full and the infrared light is blocked by the ice. 2. Infrared light-emitting diode & light-receiving diode do not work 	<ol style="list-style-type: none"> 1. Remove the ice from ice basket. 2. Wipe up the foreign objects on the infrared light-emitting diode & light-receiving diode and restart the ice maker. 3. Call Customer Service if the infrared light-emitting diode & light-receiving diode still can not work after wiping up the foreign objects on them and restarting the ice maker.
The ice collects together.	Making ice takes too much time.	Stop making ice and restart the ice-making cycle after the ice melts.
	The water in the water reservoir is of too low temperature.	Fill the water reservoir with water ranges between 8°C and 25°C.
The ice-making cycle seems normal but no ice is produced.	The ambient temperature or water temperature is too high.	Start the ice-making cycle at a environment with an ambient temperature less than 32°C and fill the water reservoir with some cold water.
	Refrigerating system leaks	Call customer service

	Refrigerating system blocks	Call customer service
Poor ice-making result	<ol style="list-style-type: none"> 1. Poor heat dissipation. 2. The water temperature is too high. 3. The ambient temperature is too high. 	<ol style="list-style-type: none"> 1. Leave a 6-inch clearance on all sides of the ice maker for proper ventilation. 2. Fill the water reservoir with water ranges between 8°C and 28°C. 3. Operate the ice maker at a environment with an ambient temperature between 10°C and 32°C.
Water pump does not work or produces noise.	<ol style="list-style-type: none"> 1. Water pump is damaged. 2. The appliance has not been cleaned for a long time, which has resulted in the formation of mucoid substance at the water inlet of the water pump, so that the water-pumping is not smooth. There is air in the water pipe, so there will be resonance noise produced when pumping water. 	<ol style="list-style-type: none"> 1. Contact the after-sales department for replacing the water pump. 2. The appliance should be cleaned in one or two weeks, and some neutral cleaning agents (such as detergent and soapy water etc.) can be added if necessary.

Warning

This content is compiled from multiple sources and is provided for reference purposes only. It may not be complete or fully applicable to all situations. If you are unable to resolve your issue, please contact the product manufacturer or an authorized service provider for official support.

