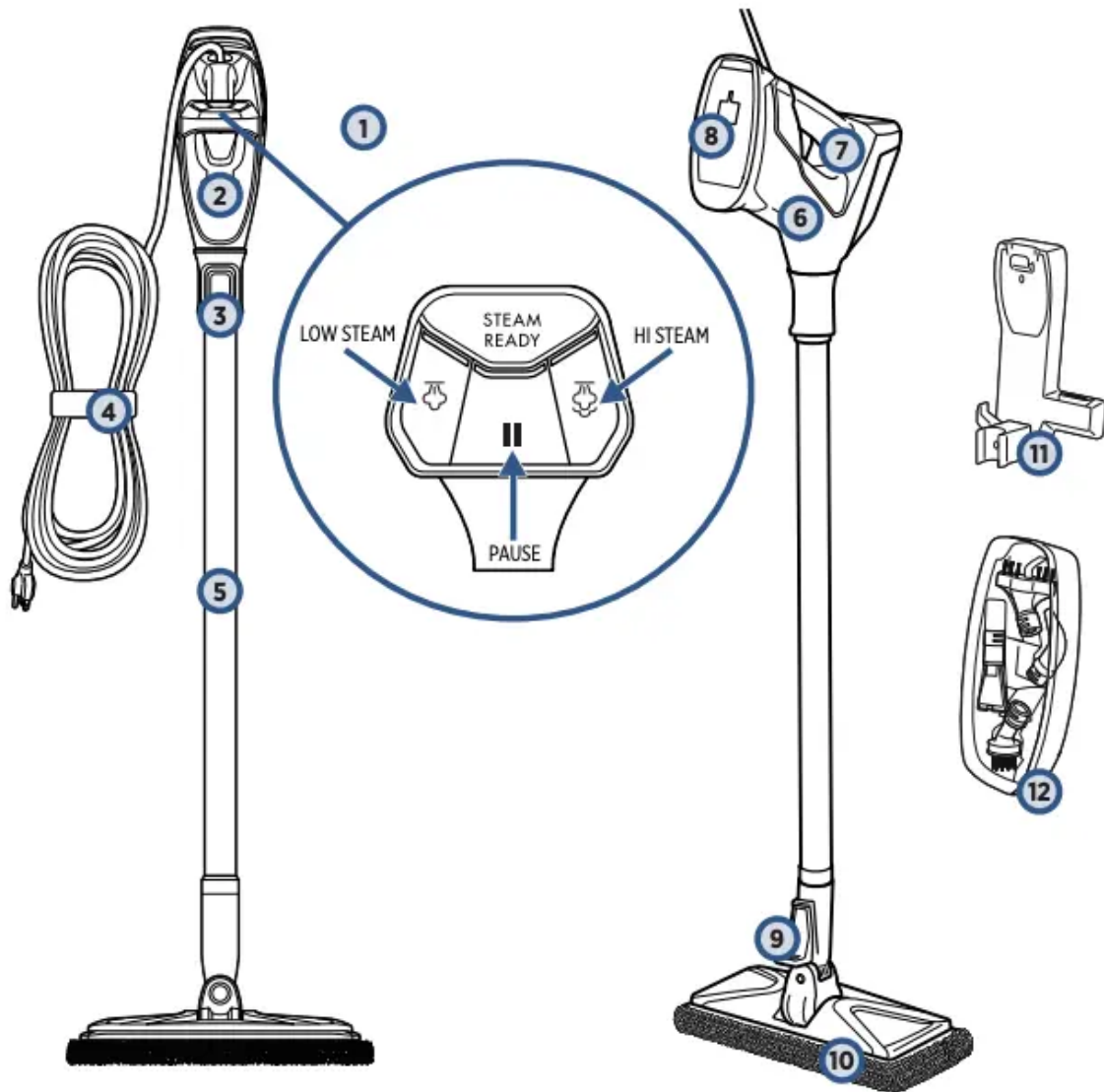


Product View



- 1 SmartSet Steam Control
- 2 Easy Fill Water Tank
- 3 Handheld Pod Release Button
- 4 Power Cord with Wrap Strap
- 5 Extension Wand
- 6 Handheld Pod
- 7 Steam Trigger
- 8 Wall Mount Storage Clip Area
- 9 Extension Wand Release Pedal



10 Mop Pad Foot

11 Wall Mount

12 Tool Box

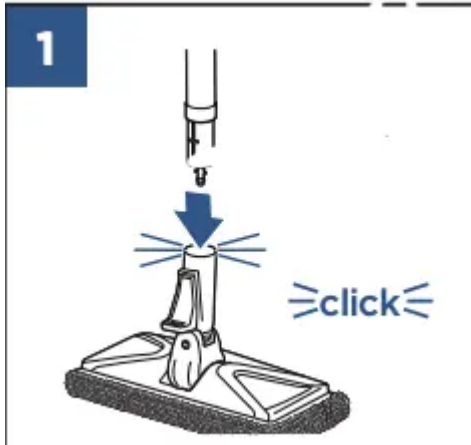
NOTE: Tool Box stores Black Bristle Brush, Angle Concentrator Tool, Grout Tool, and Flat Scraper Tool.

Assembly

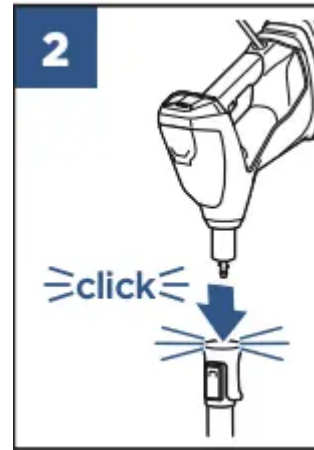
WARNING Do not plug in your PowerSteamer® Heavy Duty Steam Mop until you are familiar with all instructions and operating procedures.

Your BISSELL® PowerSteamer® Heavy Duty Steam Mop assembles quickly and easily . It is packaged with the following items:

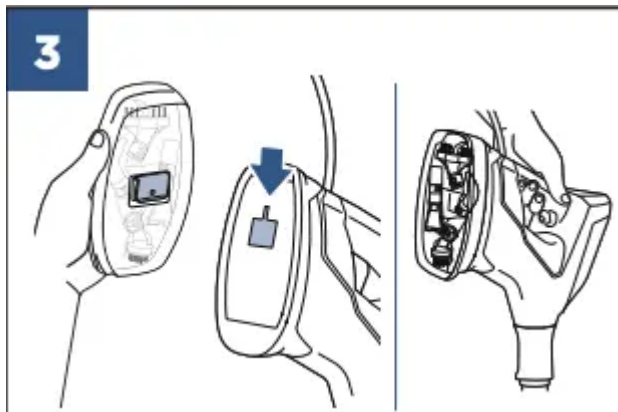
- Handheld Pod
- Extension Wand
- Mop Pad Foot



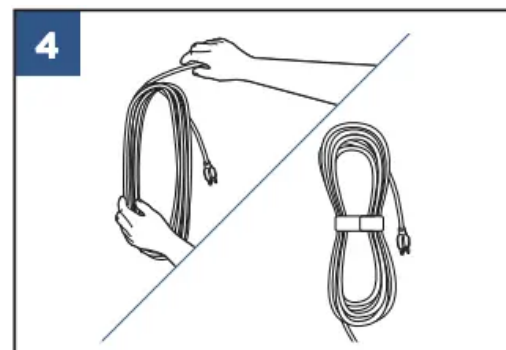
Attach the Extension Wand to the Mop Pad Foot by snapping it into place



Then, insert the Handheld Pod to the Extension Wand until it clicks into place .



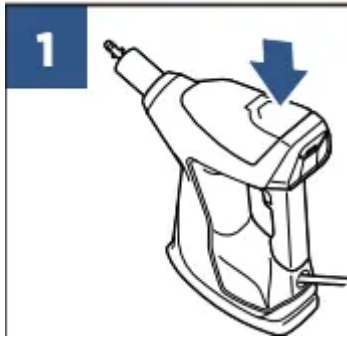
Attach the Tool Box to the Handheld Pod by aligning the clip on the back side of the Tool Box to the opening on the bottom of the Handheld Pod and slide down into place



Wrap the cord around the palm of your hand into a circle . Then, place the wrap strap around the cord and back onto itself to secure

NOTE: For instructions on attaching the Wall Mount and Storage, refer to page 12

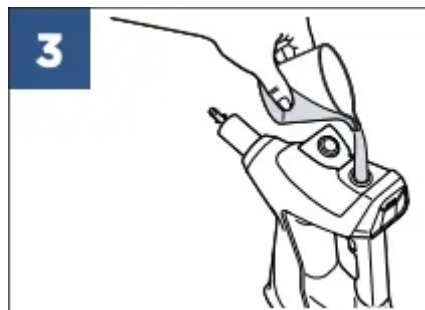
Filling Your Water Tank



The Clean Water Tank is located on the top of the Handheld Pod.



Pull the water tank cap straight up to open.



Use Water Cup provided and fill with distilled or demineralized water (recommended in place of tap water).

Close the water tank cap after filling.

A few notes about filling the Easy Fill Water Tank:

- The tank's capacity is 350 mL (12 oz).
- Do not use chemicals in the Easy Fill Water Tank of your PowerSteamer® Heavy Duty Steam Mop. Other solutions may harm the machine and void the warranty.

NOTE: Use of distilled water or demineralized water is recommended to prolong the life of your steam mop. To add a fresh scent as you clean, try BISSELL® demineralized waters in various scents like Citrus, Eucalyptus Mint and Spring Breeze.

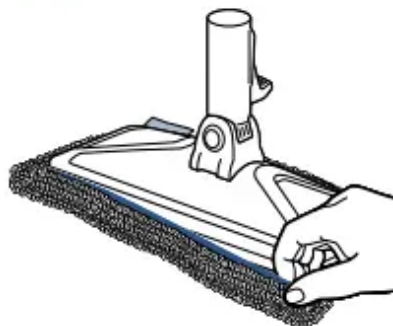
Attaching Microfiber Mop Pads

1



Your PowerSteamer® Heavy Duty Steam Mop comes with two Scrubby Mop Pads to clean sealed hard floor surfaces.

2

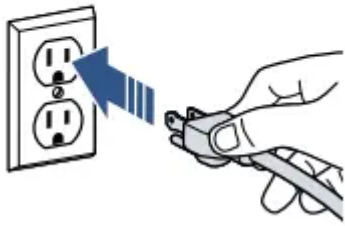


To attach mop pad, wrap pad around the bottom of the foot, making sure the gray stitching is located on the front of the foot and the quick grip release tab is located on the back.

Using SmartSet Steam Control



1



Plug machine into a properly grounded outlet.

2



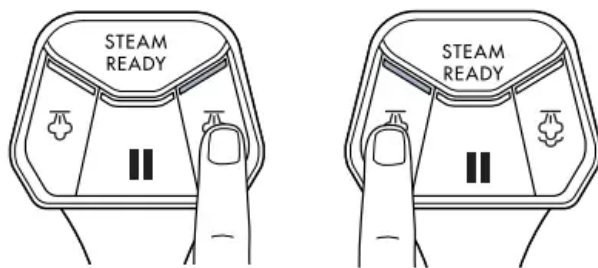
When the unit is plugged in the STEAM READY light will start to blink.

3

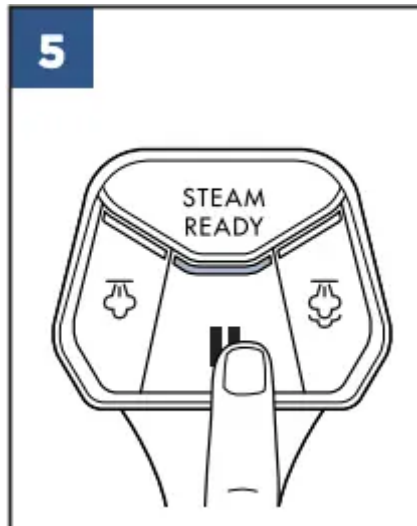


After 30 seconds, the STEAM READY light will turn to a solid light. This means the steam mop is heated and ready to use.

4



- Push the HI STEAM button once to turn ON. Use HI STEAM when cleaning durable surfaces, tough stains and stuck-on or sticky messes.
- Push the LOW STEAM button once to turn ON. Use LOW STEAM for cleaning more delicate surfaces and lighter, everyday messes.



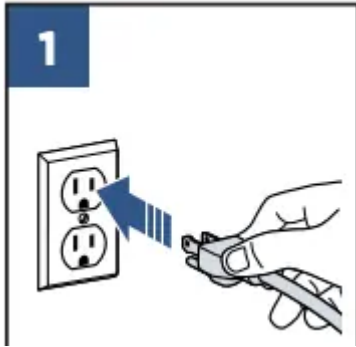
To turn steam OFF, press the PAUSE button once.

NOTE: You must wait until the STEAM READY light is a solid color before selecting your desired steam level. Upon the first use of your steam mop or first use after refilling the Easy Fill Water Tank, the pump may make a “knocking” sound. This is normal and will diminish after a few seconds.

Cleaning Hard Floors

NOTE: Before you clean, thoroughly sweep or vacuum floor prior to cleaning with the PowerSteamer® Heavy Duty Steam Mop.

Your steam mop is designed to clean hard flooring such as ceramic tile, laminate, marble, stone, and sealed hardwood floors. Use of your steam mop on waxed or some unwaxed floors may result in a diminished glossiness. The steam mop is not for use on unsealed floors. For best results, test in an inconspicuous area and check the care instructions from your flooring manufacturer.



Plug machine into a properly grounded outlet.

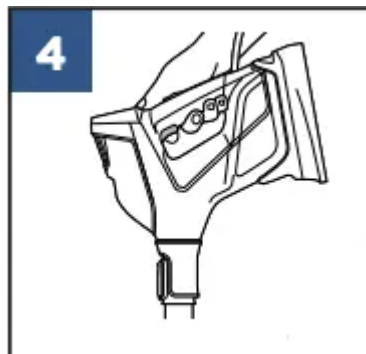


Make sure the STEAM READY light is solid before selecting the appropriate steam level based on your hard floor cleaning needs.



Step on the side of the foot to recline the body of the machine to begin cleaning.

NOTE: Your Steam Mop may have already come assembled with a mop pad on the foot. If not, refer to instructions on page 6 in the “Attaching Microfiber Mop Pads” section to learn how to attach the mop pad.



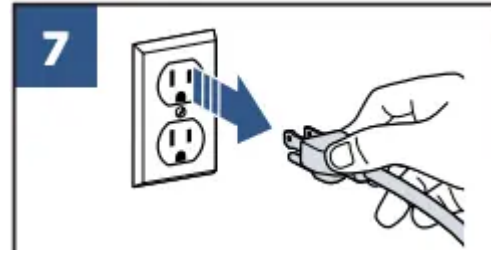
Push the Steam Trigger underneath the handle of the Handheld Pod to release steam.



To easily maneuver and clean tight spaces, take advantage of the swivel steering.



For best results to sanitize an area of your floor, use the microfiber mop pads and slowly and evenly move your steam mop back and forth at least three times over the area using continuous steam. Remove the pad after use and wash.



When finished cleaning, turn OFF the machine by pressing the PAUSE button and unplugging the unit.

Cleaning with Accessories

Before changing from mopping to the handheld feature or disconnecting a tool from the Handheld Pod or Extension Wand, make sure steam is no longer coming from the nozzle by releasing the trigger and pressing the PAUSE button.

Choose Your Desired Tool



Extension Wand

Connects to the Handheld Pod. Use with the Mop Pad Foot to clean sealed hard floor surfaces or with attachments to clean high, low and hard-to-reach areas.



Mop Pad Foot

Connects to the Extension Wand. Use with the Scrubby Mop Pad to clean sealed hard floor surfaces.



Scrubby Mop Pad

Attaches to the Mop Pad Foot. Made of microfiber material and machine washable.



Flat Surface Mop Pad

Attaches to the Flat Surface Tool. Machine washable.



Black Bristle Brush

Connects to the Extension Wand or Handheld Pod. Provides scrubbing power.



Brass Bristle Brush

Connects to the Extension Wand or Handheld Pod. Provides heavy duty scrubbing power on durable surfaces.*



Grout Tool

Connects to the Extension Wand or Handheld Pod. Provides focused scrubbing power for grout.



Flat Scraper Tool

Connects to the Extension Wand or Handheld Pod. Use to scrape off stuck-on messes.



Angle Concentrator Tool

Connects to the Extension Wand or Handheld Pod. Designed to focus steam in odd angles or areas.



Fabric Steamer and Cloth

Connects to the Extension Wand or Handheld Pod. Use with the Fabric Steamer Cloth to clean and refresh clothing, drapes and upholstered surfaces. Fabric Steamer Cloth is machine washable.



Flat Surface Tool

Connects to the Extension Wand or Handheld Pod. Attaches to the Fabric Steamer (no Fabric Steamer Cloth attached). Use with the Flat Surface Mop Pad to clean large, flat surfaces.

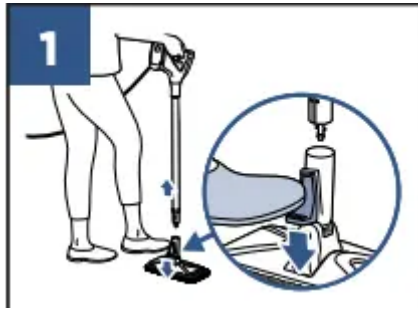


Window Squeegee

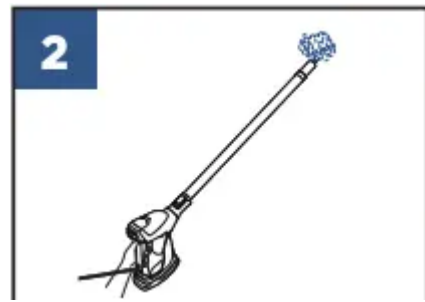
Connects to the Extension Wand or Handheld Pod. Attaches to the Fabric Steamer (no Fabric Steamer Cloth attached). Use to clean windows, glass and mirrors.

*Test in a small, hidden area before use to ensure the surface with not damage with heavy duty scrubbing. If surface is not durable enough, do not use.

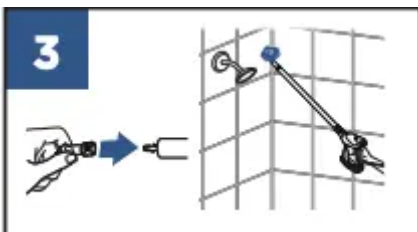
Cleaning with the Extension Wand



To clean using the Extension Wand, step down on the pedal located on the back of the steam mop and lift up to release the wand.



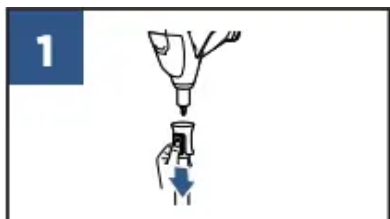
Cleaning Without Tools: Be sure the desired steam setting is selected, then push the trigger under the handle of the Handheld Pod to release steam.



Cleaning With Tools: Attach desired tool to the end of the Extension Wand to clean above floor surfaces and hard-to-reach areas such as ceilings, showers, baseboards, and sliding door tracks.

NOTE: Do not step on the back pedal to recline the unit. When removing the Extension Wand from the foot, lift away from your body as the bottom of the wand may release steam.

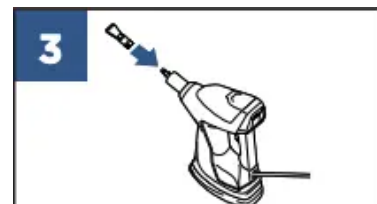
Cleaning as a Handheld Steamer



To convert the steam mop into a handheld steamer, push the release button on the top of the Extension Wand and lift up to detach the Handheld Pod from the Extension Wand.

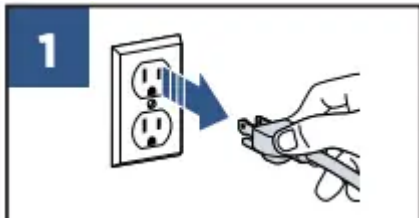


Cleaning Without Tools: Push the trigger located under the handle of the Handheld Pod to release steam from the end of the Handheld Pod.

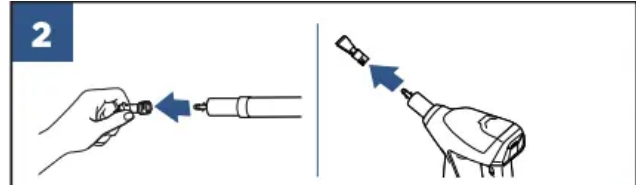


Cleaning With Tools: Make sure steam is no longer coming from the nozzle by releasing the trigger and pressing the pause button. Then connect the desired tool.

Removing Tools



When finished cleaning, turn OFF the machine by pressing the PAUSE button and unplugging the unit.

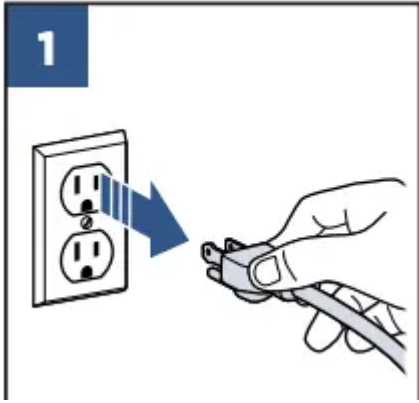


Wait for the steam to stop, then remove tools from the Extension Wand and/or Handheld Pod before reassembling your machine.

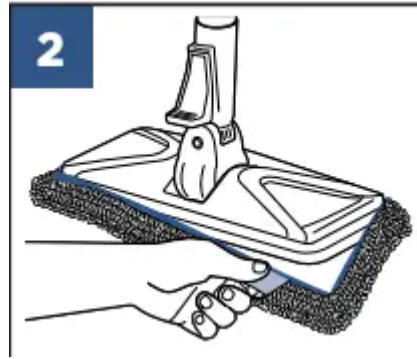
CAUTION: Let steam cool down before removing tools. The end of the Extension Wand or Handheld Pod will be hot.

Cleaning Your Steam Mop

WARNING To reduce the risk of fire, electric shock or injury, turn power OFF and disconnect plug from electrical outlet before performing maintenance or troubleshooting.

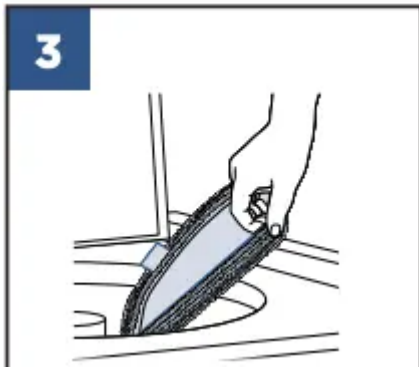


Turn machine OFF head. and unplug from the grounded outlet.

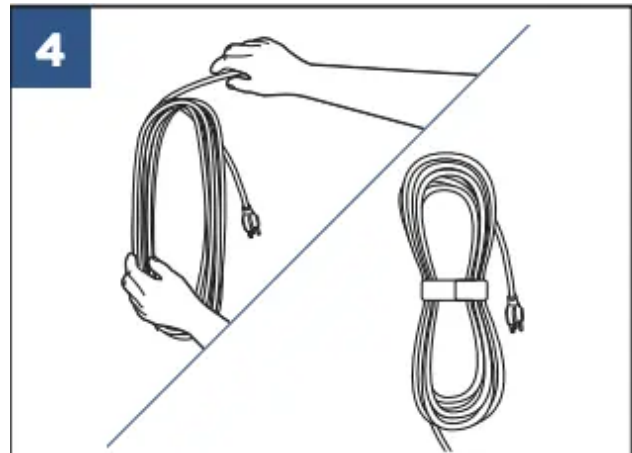


Carefully remove mop pad using the quick grip release tab from the mop Turn machine OFF head.

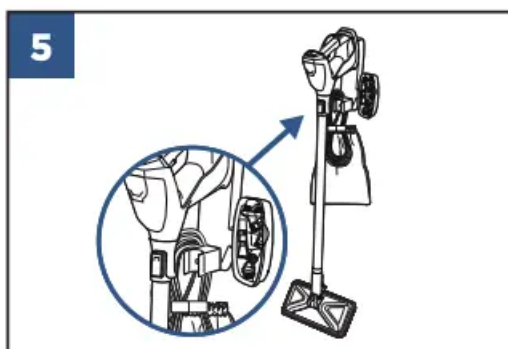
NOTE: Mop pad and lower assembly may be hot.



Mop pads can be machine washed in warm water. Use only nonbleach liquid detergents. Do not use fabric softeners or bleach. For best results, air dry.



Wrap the cord around the palm of your hand into a circle. Then, place the wrap strap around the cord and back onto itself to secure.



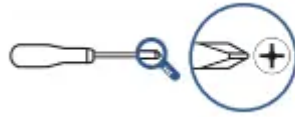
Store in a protected, dry area on the secured wall mount. Store with dry pads as wet mop pads may damage wood and other delicate hard floors.

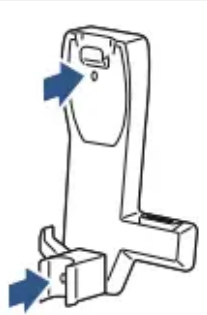
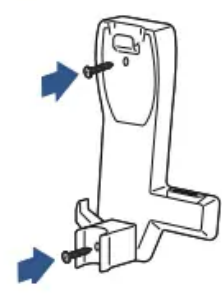

NOTE: Unit does not stand up on its own. If you are not using the Wall Mount, make sure your steam mop is stored in a safe place, in the upright position against a firm surface to prevent from falling over.

Setting Up the Wall Mount

WARNING To reduce the risk of fire, electric shock or injury, turn power OFF and disconnect plug from electrical outlet before performing maintenance or troubleshooting.

A Phillips-head Screwdriver is needed to install the Wall Mount . If installing onto drywall, use plastic anchors with provided screws .



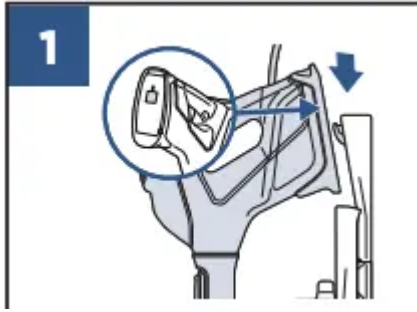
<p>1</p>  <p>Place the Wall Mount against the wall in the area where you would like to store your machine</p>	<p>2</p>  <p>Place each screw through the two holes in the wall mount . Use a screwdriver or drill to attach to the wall</p>	<p>3</p>  <p>Find the clip on the back of the Tool Box and hook it into the right side of the Wall Mount</p>
---	---	--

Using the Wall Mount Storage

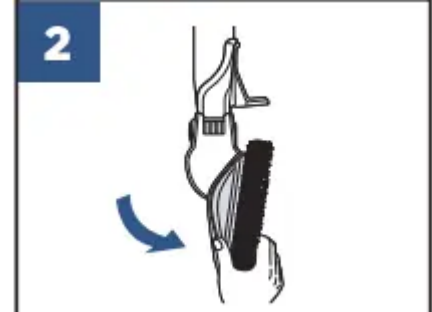
WARNING To reduce the risk of fire, electric shock or injury, turn power OFF and disconnect plug from electrical outlet before performing maintenance or troubleshooting.

Your BISSELL® PowerSteamer® Heavy Duty Steam Mop can be stored in 2 different ways using the Wall Mount.

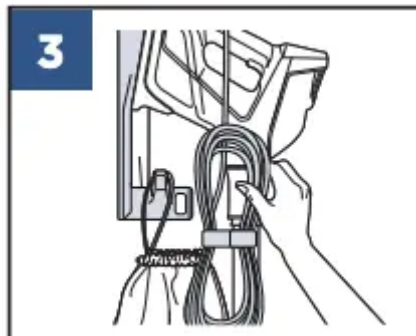
OPTION 1:



Find the opening on the back of the Handheld Pod and hook it onto the top lip of the Wall Mount.



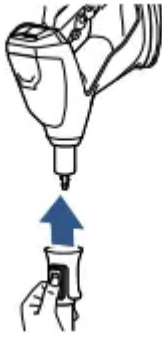
Bend the Mop Pad Foot downward in a slanted position.



Hang the power cord and Tool Bag on the left-side hook.

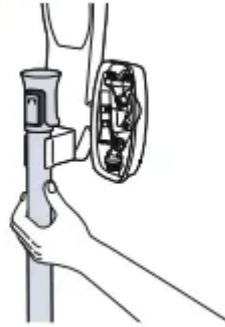
OPTION 2:

1



Detach the Extension Wand from Handheld Pod.

2



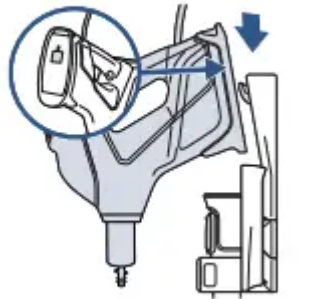
Clip the Extension Wand into the holder.

3



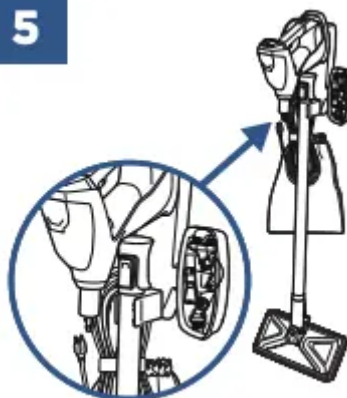
Bend the Mop Pad Foot downward in a slanted position.

4



Find the opening on the back of the Handheld Pod and hook it onto the top lip of the Wall Mount.

5



Hang the power cord and Tool Bag on the left side hook.

Troubleshooting

WARNING To reduce the risk of fire, electric shock or injury, turn power OFF and disconnect plug from electrical outlet before performing maintenance or troubleshooting.

Problem	Possible causes	Remedies
Reduced steam OR no steam	Easy Fill Water Tank empty	Refill tank.
	Steam level not selected.	Select steam level by pushing steam level button.
	Wand not installed properly.	Push the wand all the way into the Handheld Pod until you hear a click
	Foot not installed properly.	Insert the Extension Wand into foot until you hear a click.
	PAUSE button is pressed.	Once STEAM READY light is solid, select desired steam level (HI or LO) then push the trigger under the handle of the Handheld Pod to release steam.
Streaking	Dirty mop pad.	Remove and wash pad per instructions.
	Use on waxed or oiled floor.	If you have used floor polishes or wax on your floors, steam products may decrease glossiness. Refer to the wax or polish manufacturer. If you don't wax or polish your floors, check the floorcare instructions from your flooring manufacturer.
Leaking	Mop pad is too wet.	Remove and replace with dry mop pad and intermittently press the steam trigger for less steam.
	Steam level is too high.	Lower the steam level.
	Crack in unit or Easy Fill Water Tank.	Check to see if there are any cracks on the unit or tank and check to make sure the rubber gasket on the tank is still attached and seated properly in the unit.
Knocking noise	First use or Easy Fill Water Tank is empty.	Fill tank and knocking will diminish after a few seconds.
	Metal tube cannot reach water.	Shake the pod to let the tube reach the water level.

Warning

This content is compiled from multiple sources and is provided for reference purposes only. It may not be complete or fully applicable to all situations. If you are unable to resolve your issue, please contact the product manufacturer or an authorized service provider for official support.

Document generated by [ManualsFile](#)