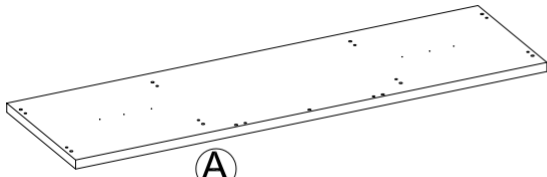
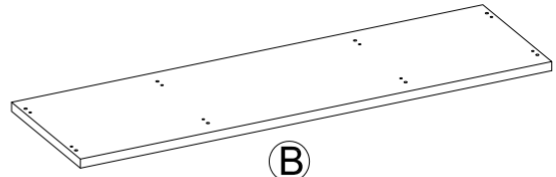


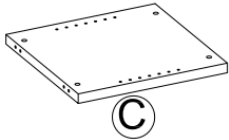
PARTS



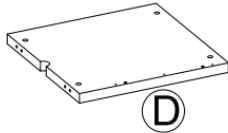
A
Top shelf



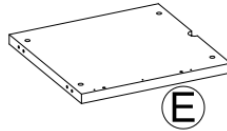
B
Bottom panel



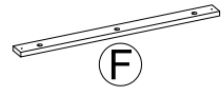
C
Side panel (2)



D
Left partition



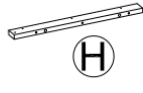
E
Right partition



F
Top shelf apron



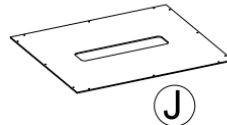
G
Left side rail



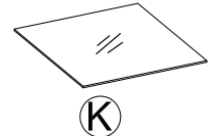
H
Right side rail



I
Foot



J
Back panel (2)



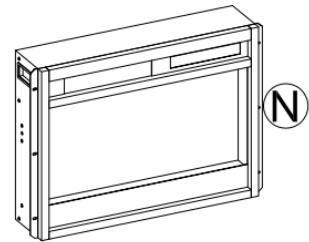
K
Glass shelf (4)



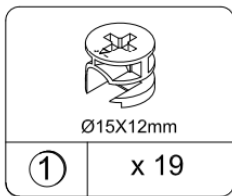
L
Metal foot frame (2)



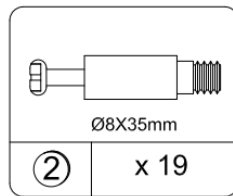
M
Support tube (2)



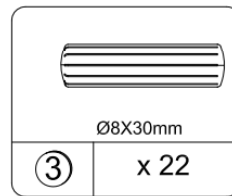
N
Fireplace



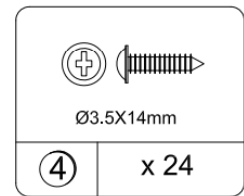
Cam lock



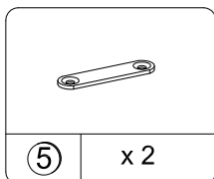
Cam bolt



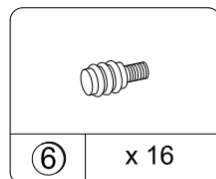
Wood dowel



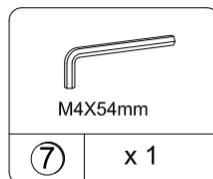
Screw



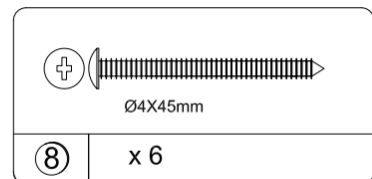
Metal plate



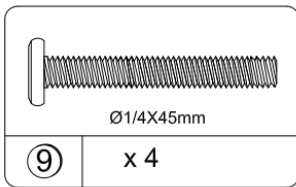
Shelf support



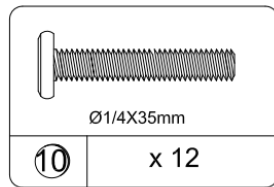
Hex key



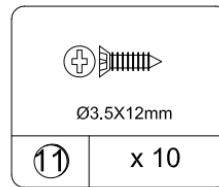
Screw



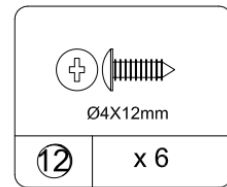
Bolt



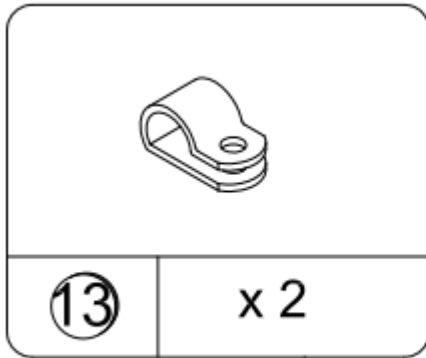
Bolt



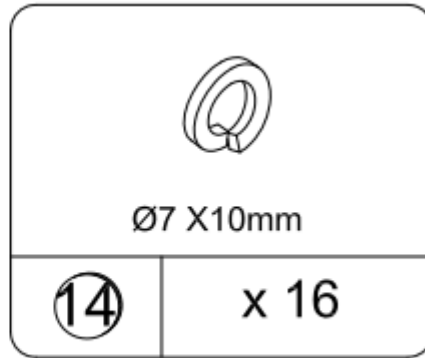
Screw



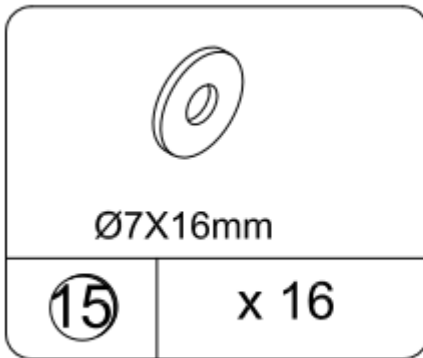
Screw



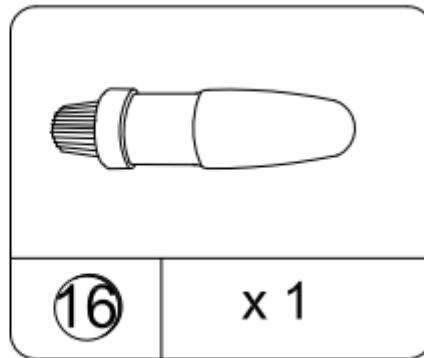
Wire Clip



Spring washer



Washer



Glue

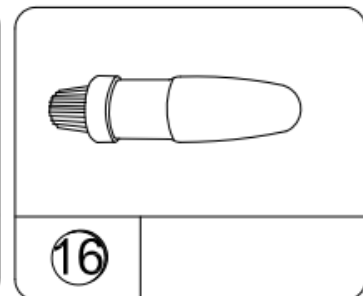
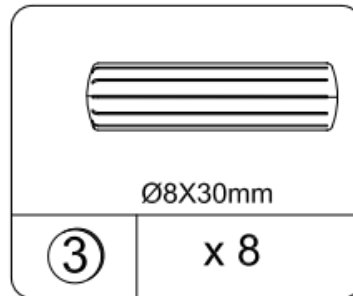
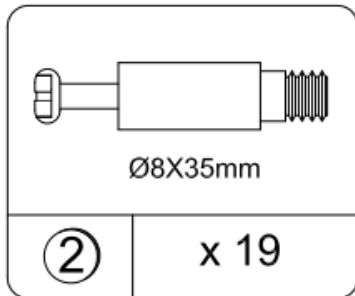
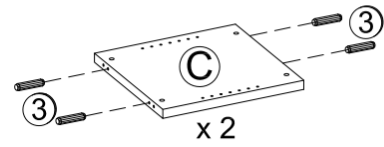
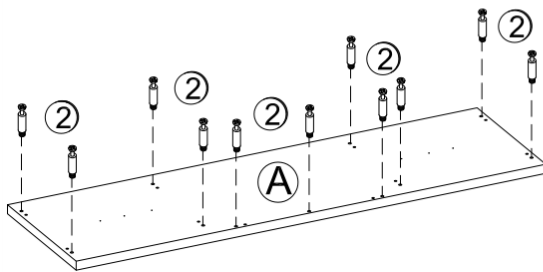
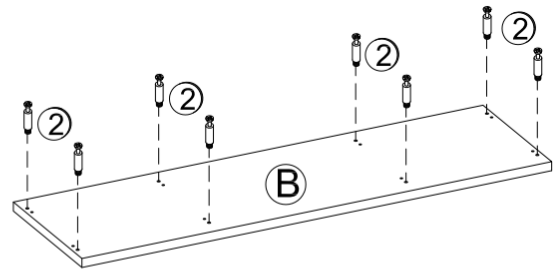
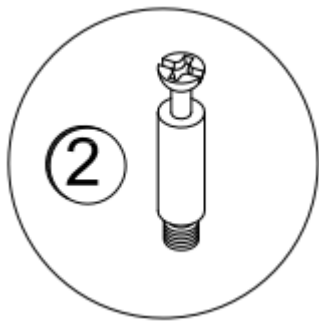


Warning label

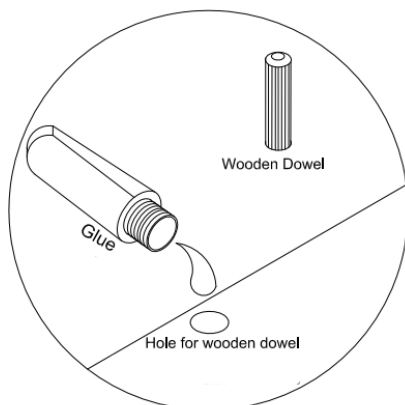
INSTALATION INSTRUCTION

1.

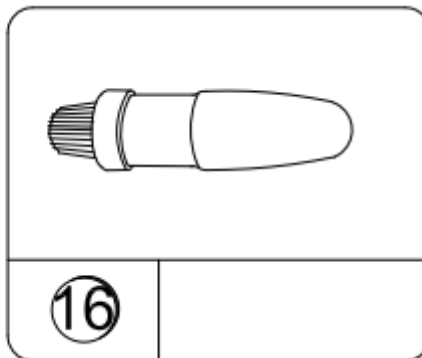
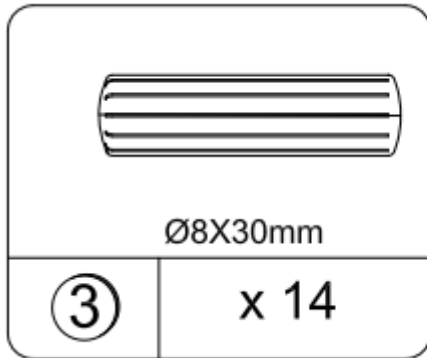
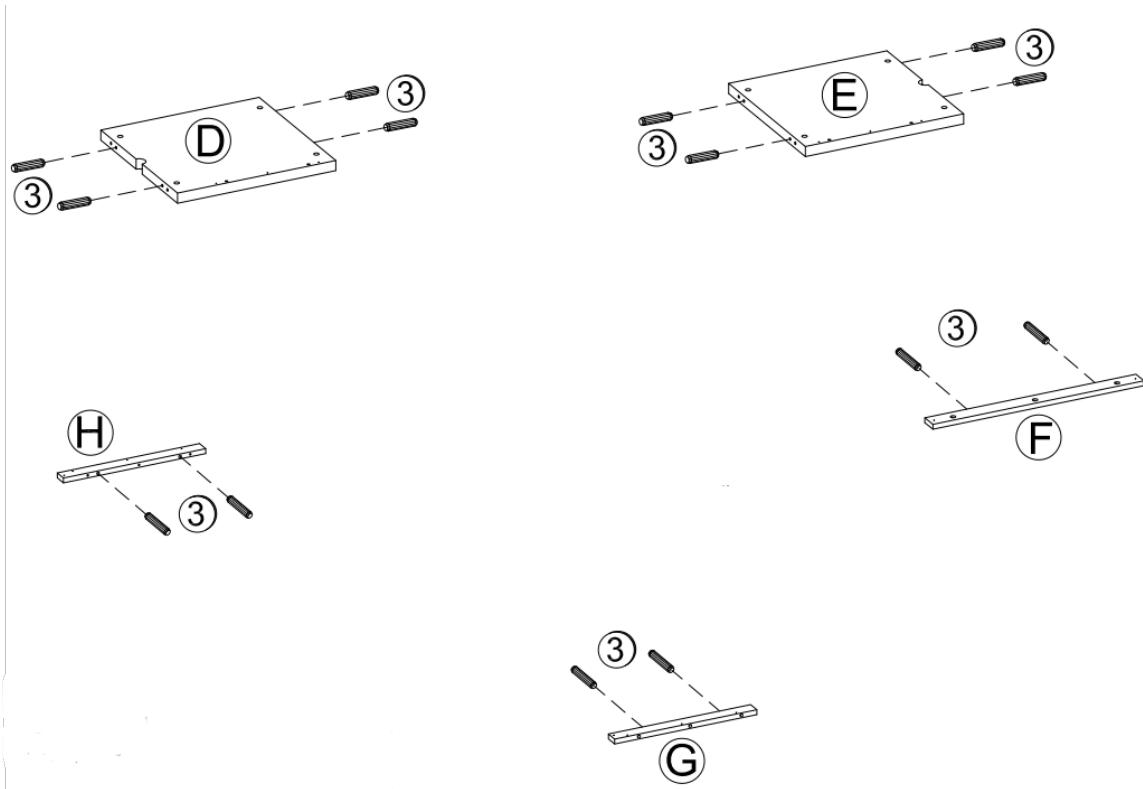
Do not over tighten



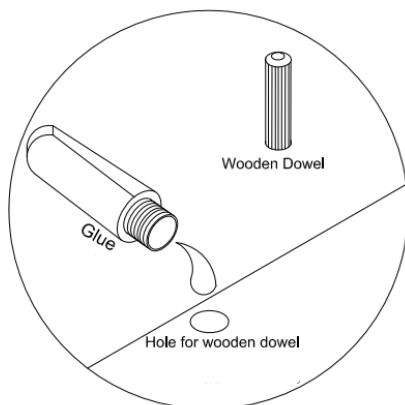
Use one drop of glue in dowel hole



2.

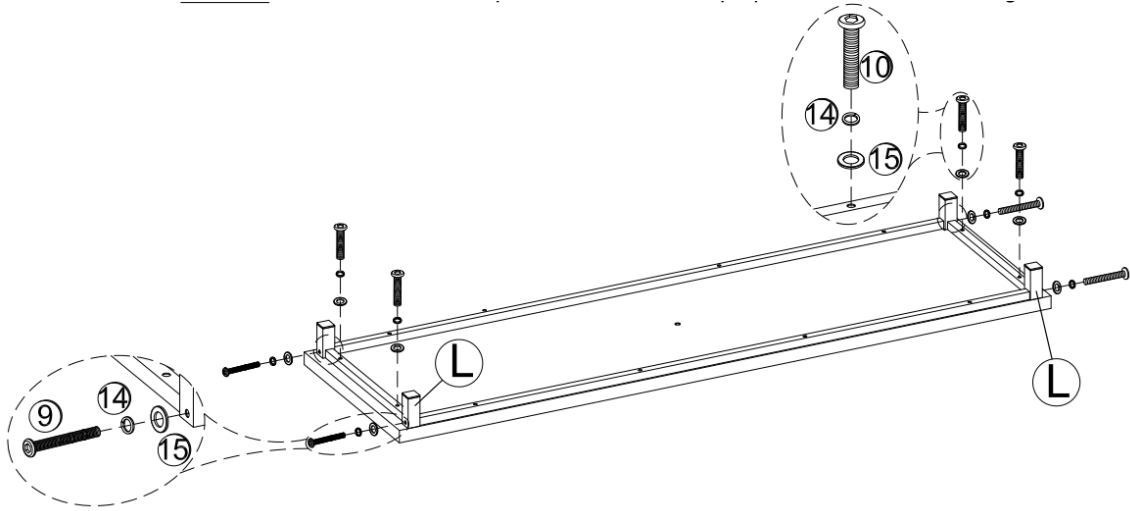






Use one drop of glue in dowel hole



3.



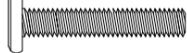


NOTE: DO NOT tighten the bolt to ensure the assembly successfully in this step.



 M4X54mm	 Ø1/4X35mm	 Ø7 X10mm	 Ø7X16mm
7	10 x 8	14 x 8	15 x 8

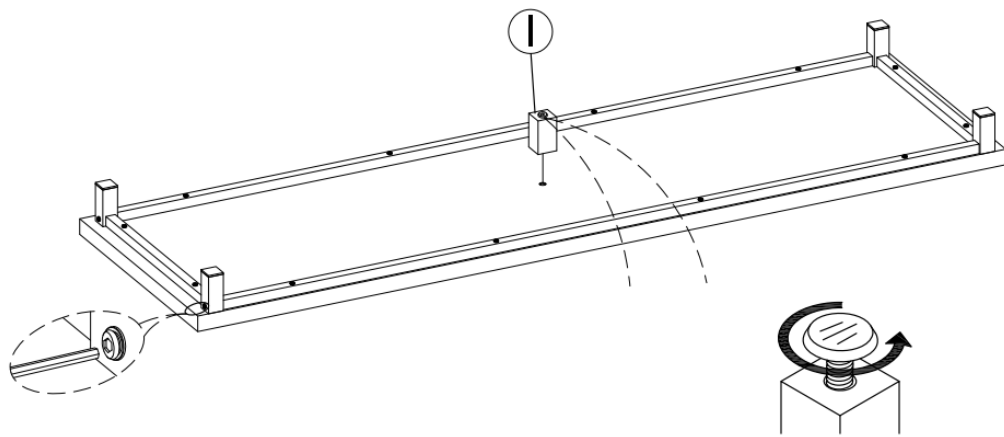
4.

NOTE: DO NOT tighten the bolt to ensure the assembly successfully in this step.

 M4X54mm	 Ø1/4X45mm	 Ø1/4X35mm	 Ø7 X10mm	 Ø7X16mm
7	9 x 4	10 x 4	14 x 8	15 x 8

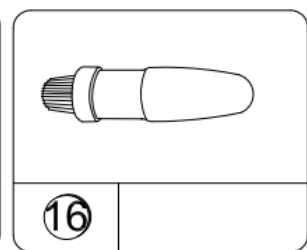
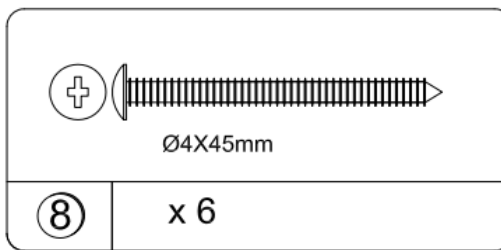
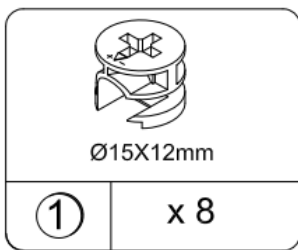
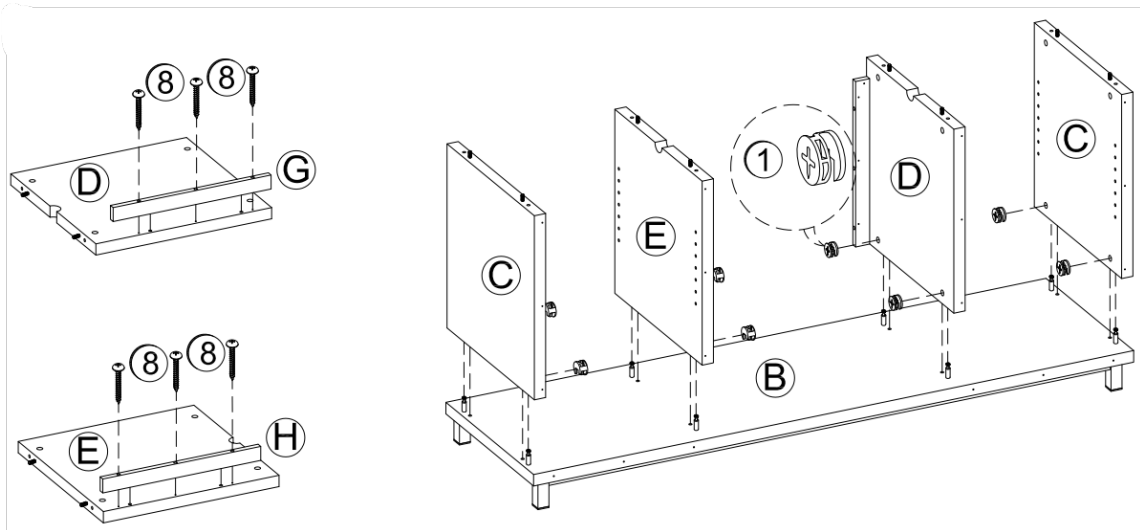
5.

NOTE: Tighten all bolts to secure the unit in this assembly step.

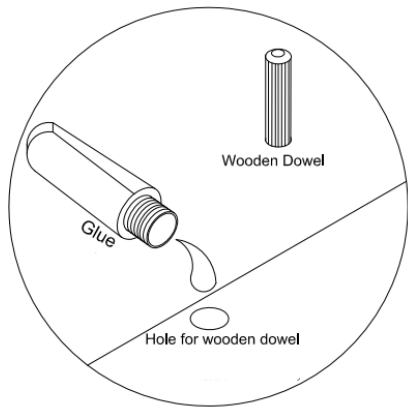


If the ground is uneven, adjust the foot levelers by rotating them to your preferred height. Once the desk is standing and the levelers are adjusted, make sure the unit does not wobble.

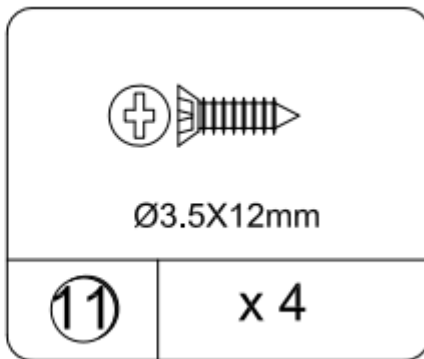
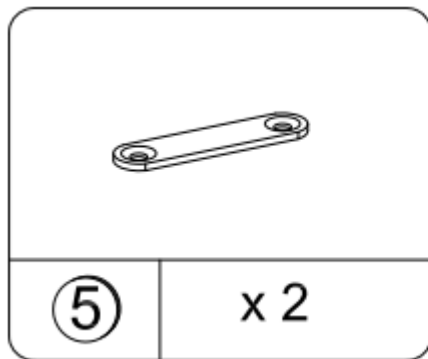
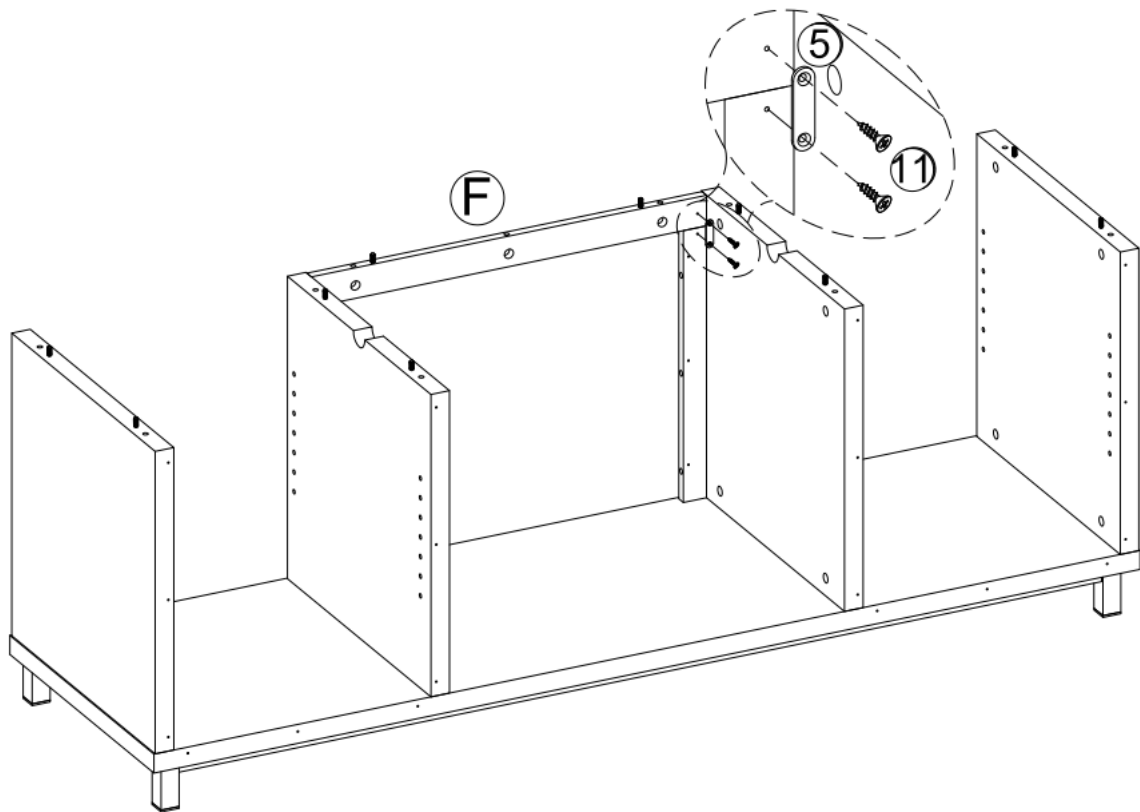
6.



Use one drop of glue in dowel hole

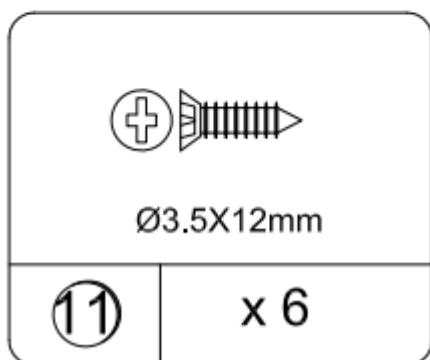
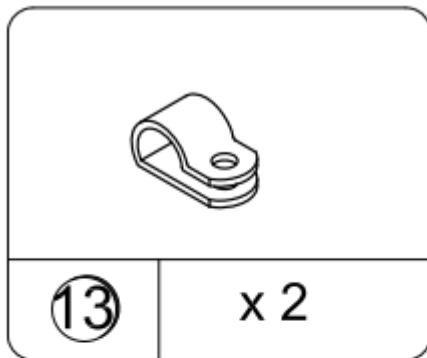
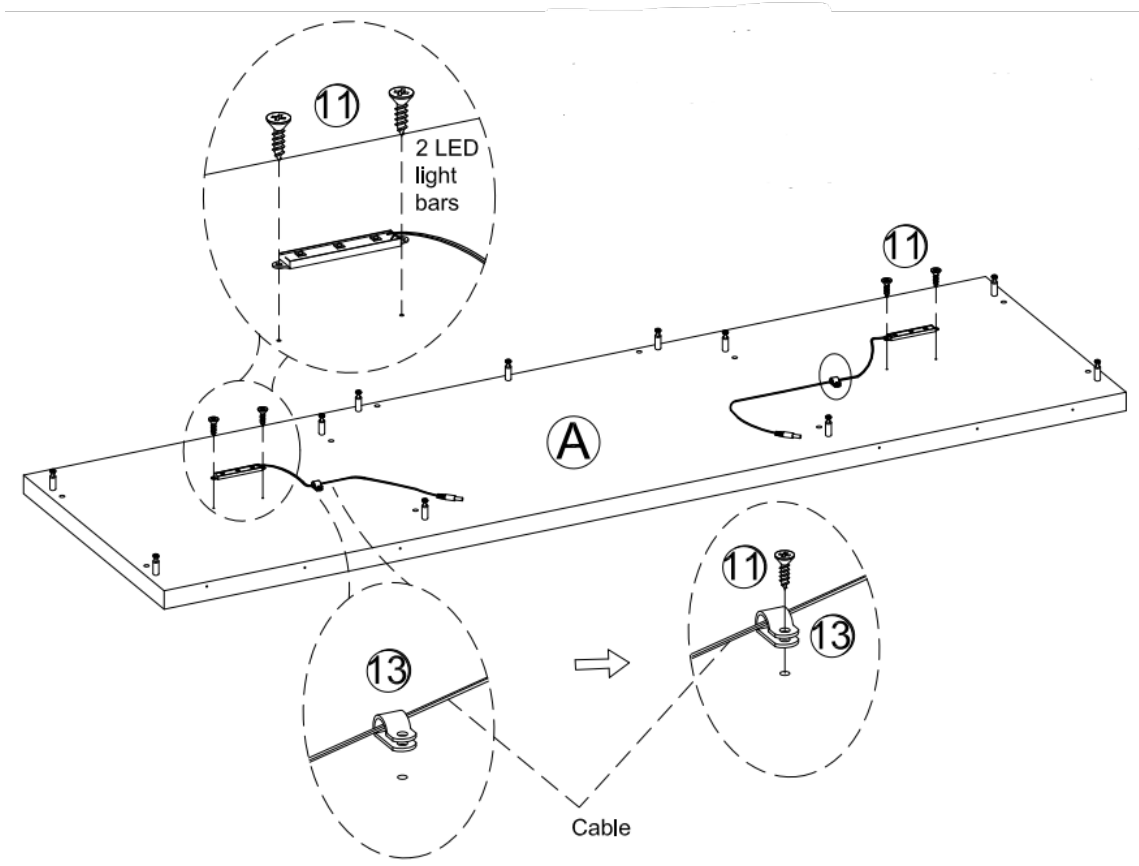


7.

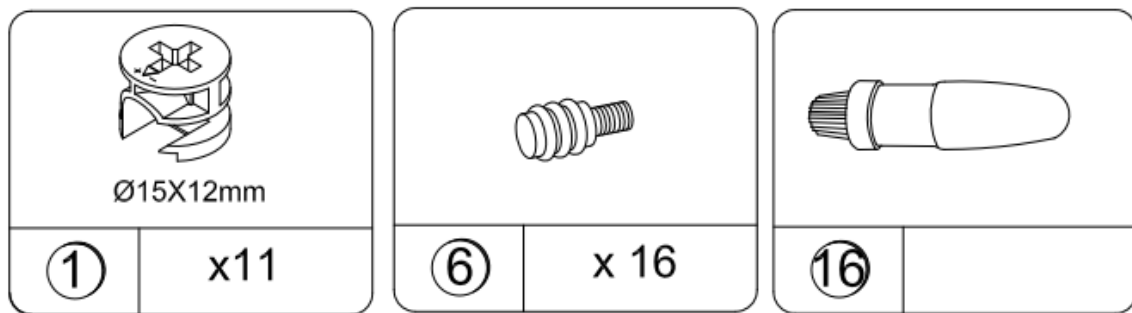
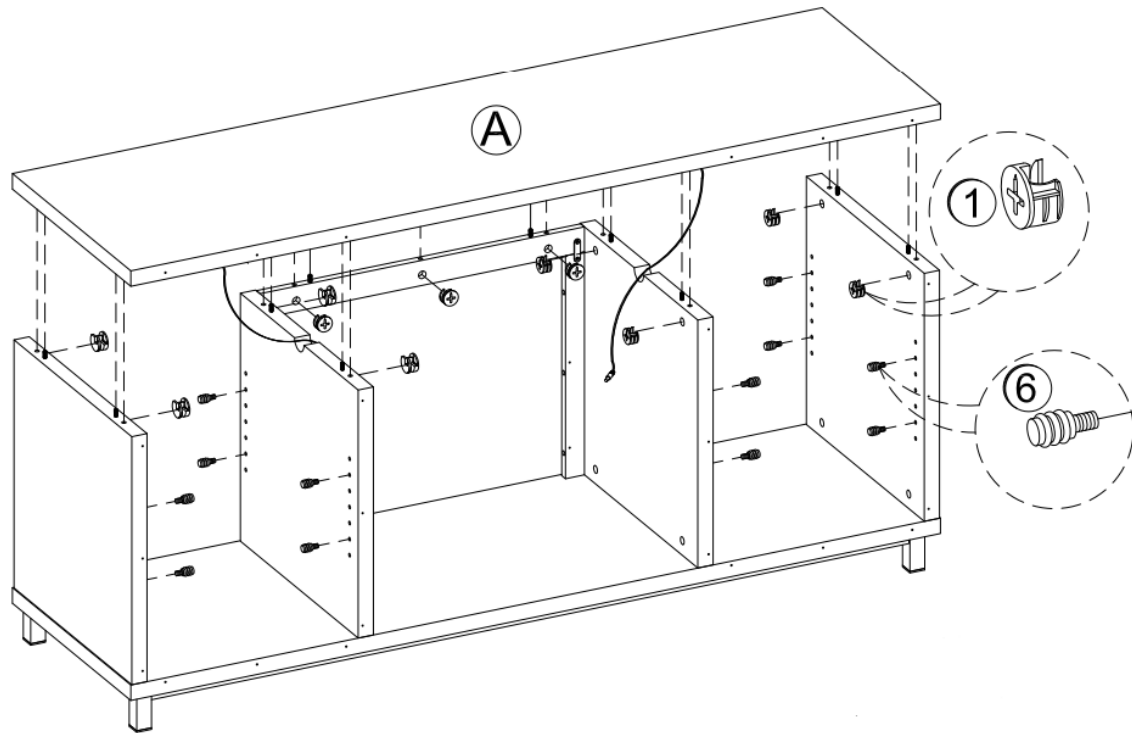


8.

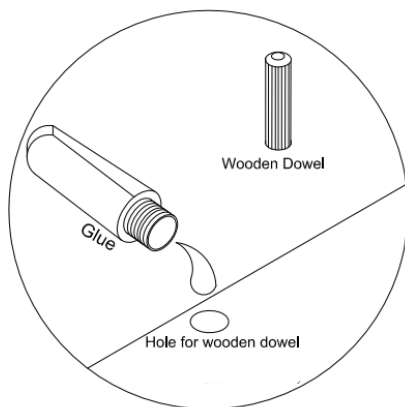
2 pcs LED light bars are packed in the small inner box. This small inner is packed the fireplace insert carton box.



9.



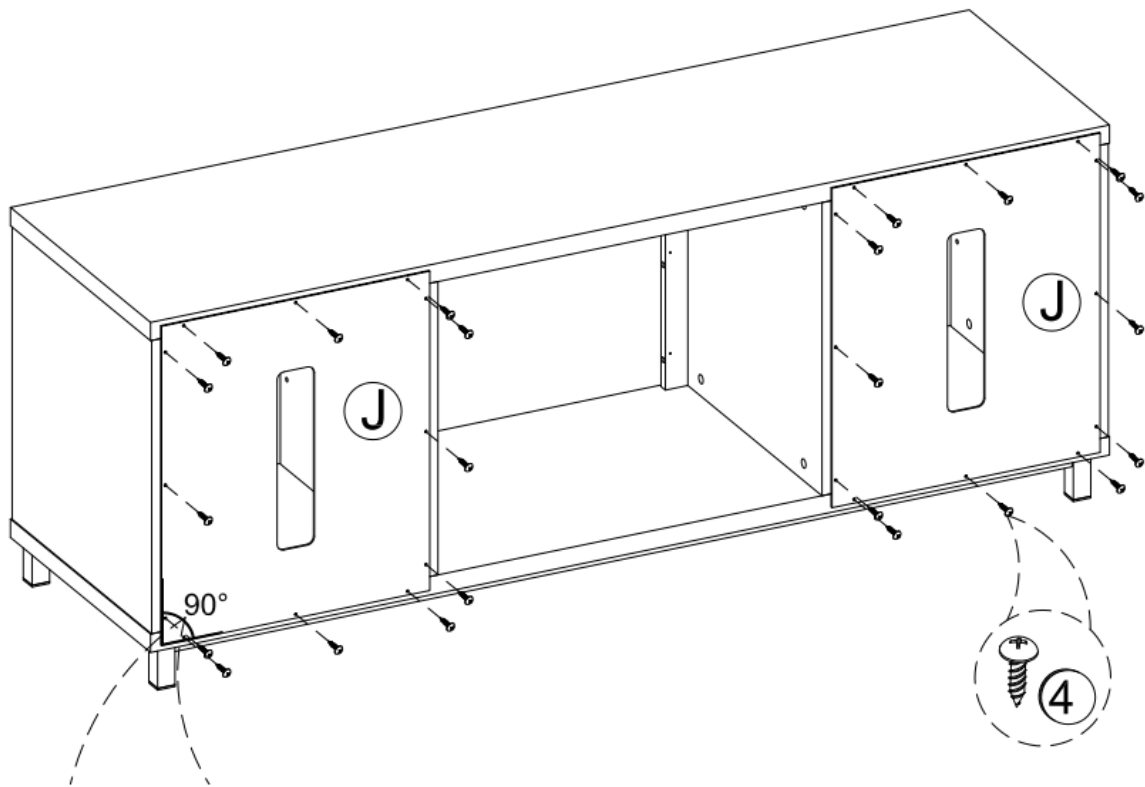
Use one drop of glue in dowel hole



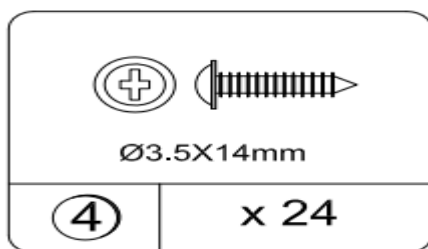
10.

WARNING: Please make sure that the backs are attach securely. All nails muse be driven into the parts straight and tightened firmly. Failure to do so could cause instability, product collapse, and/or serious injury.



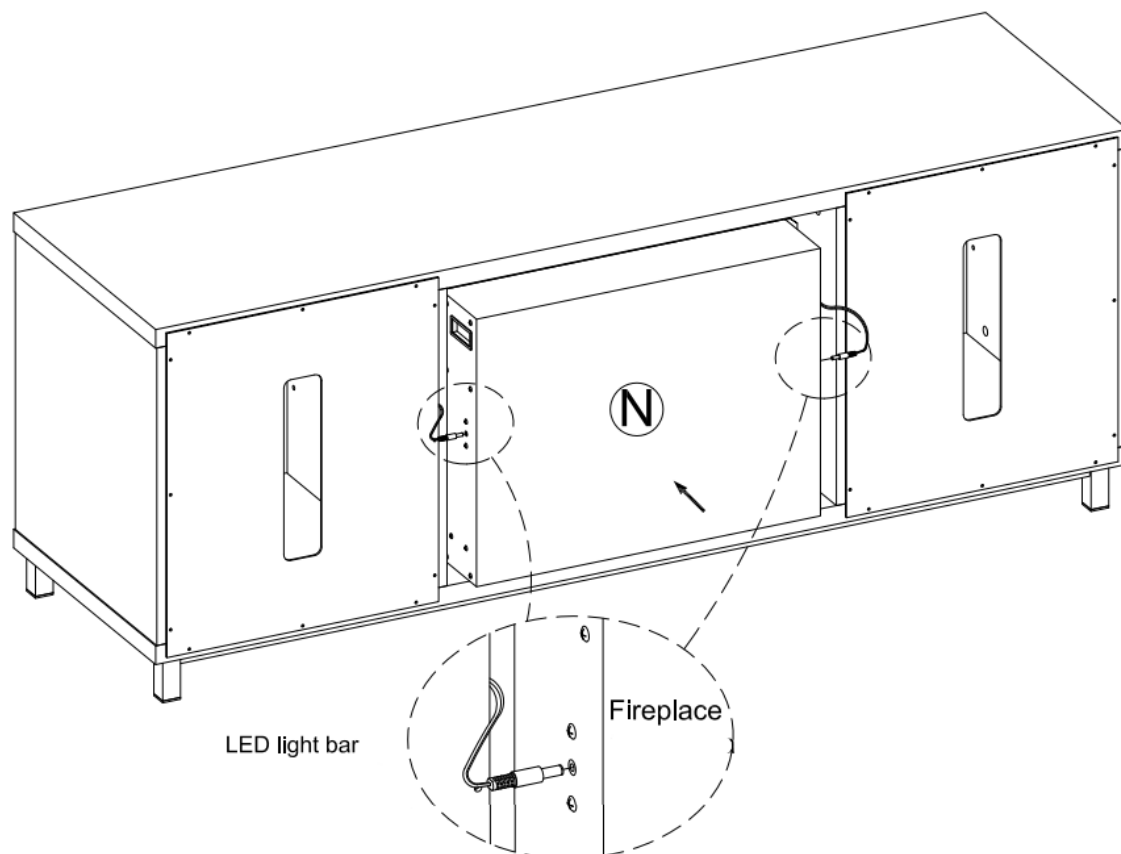


Before attaching the back panel make sure that it is square to the unit .

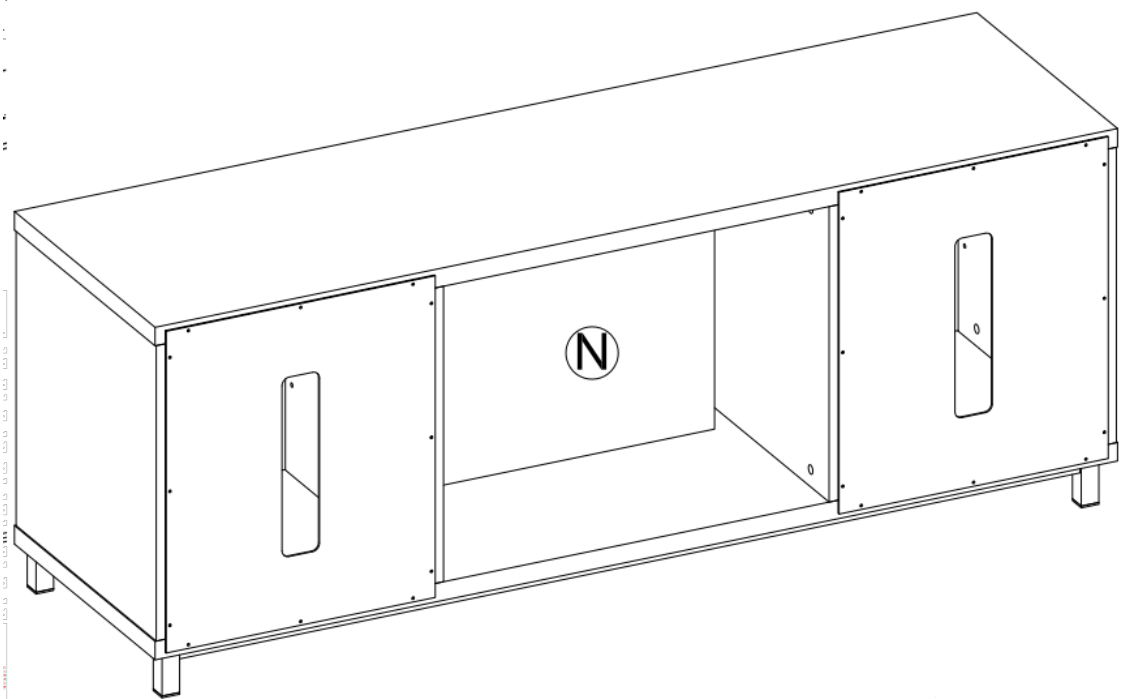


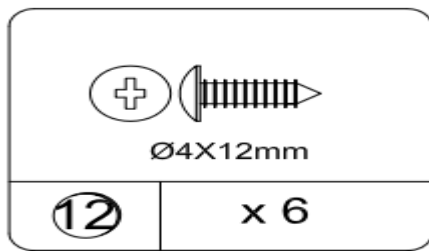
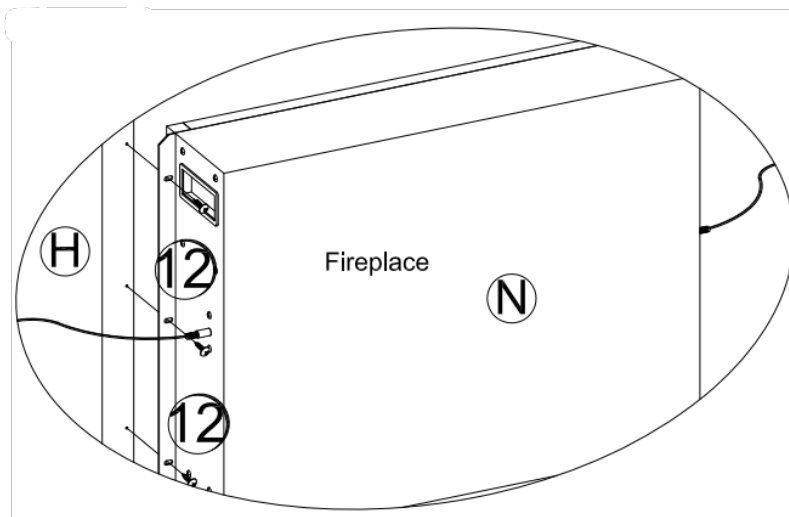
11.

NOTE: Install the fireplace insert (FA23V60L-C6) as shown below. Insert the LED light as shown below.

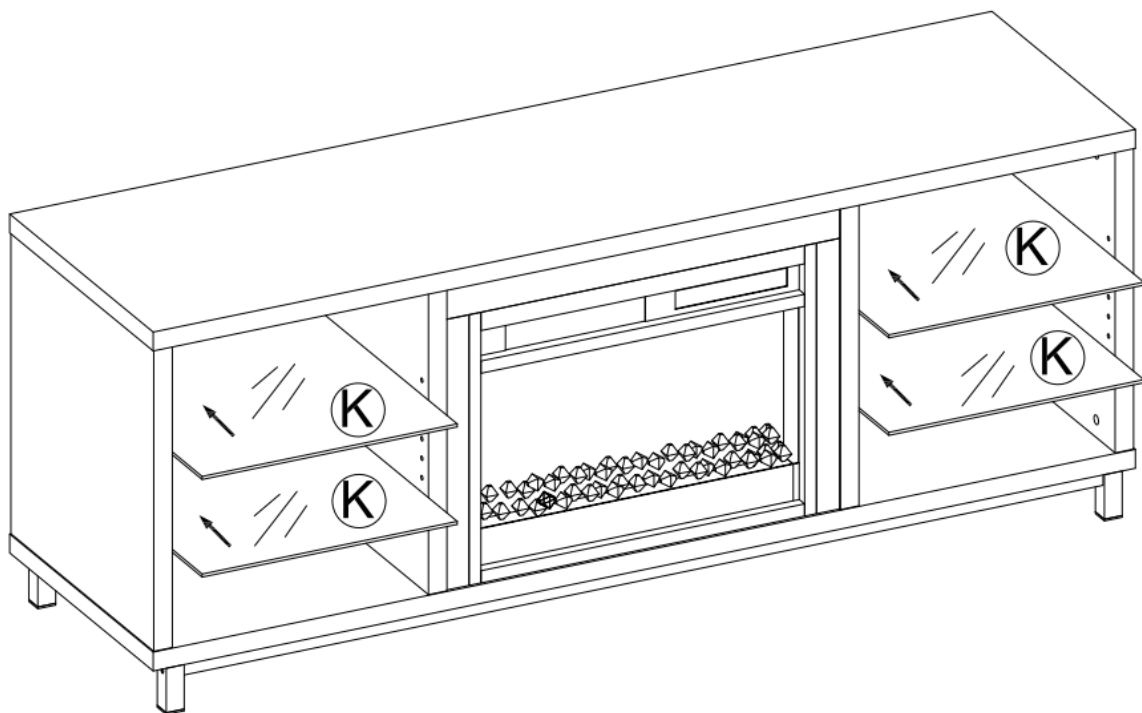


12.





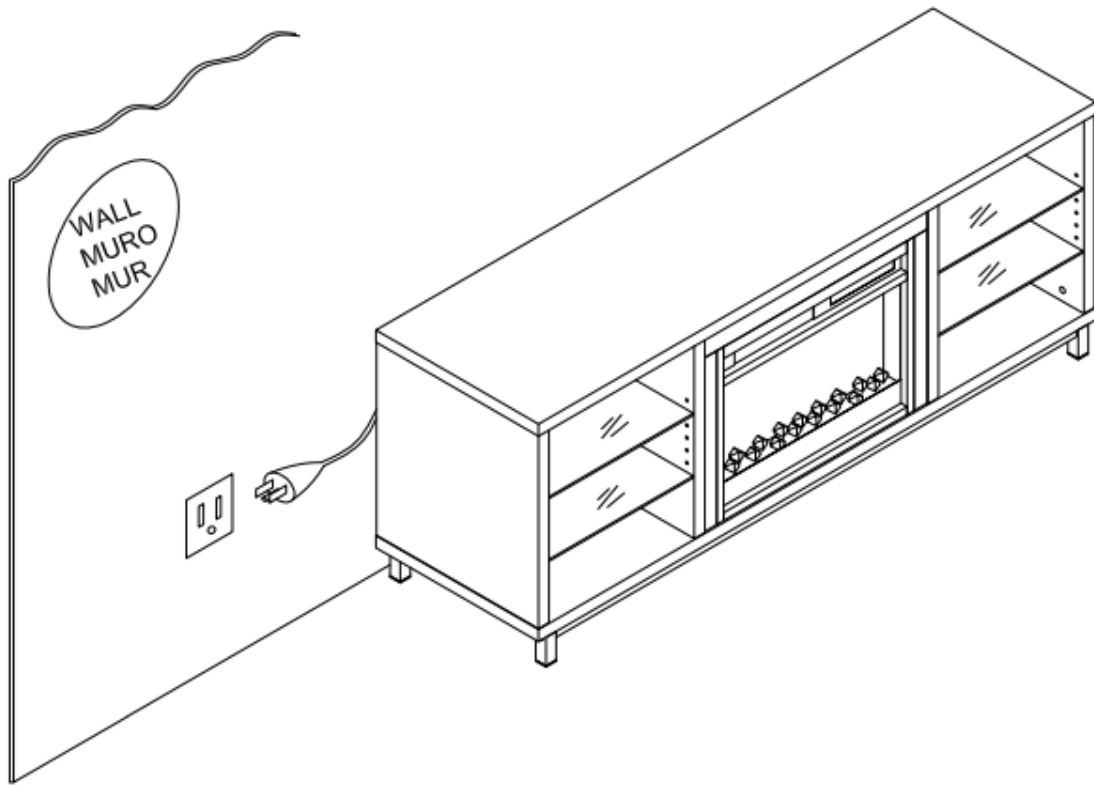
13.



14.

BEFORE CONNECTING THE UNIT TO A WALL ELECTRIC OUTLET

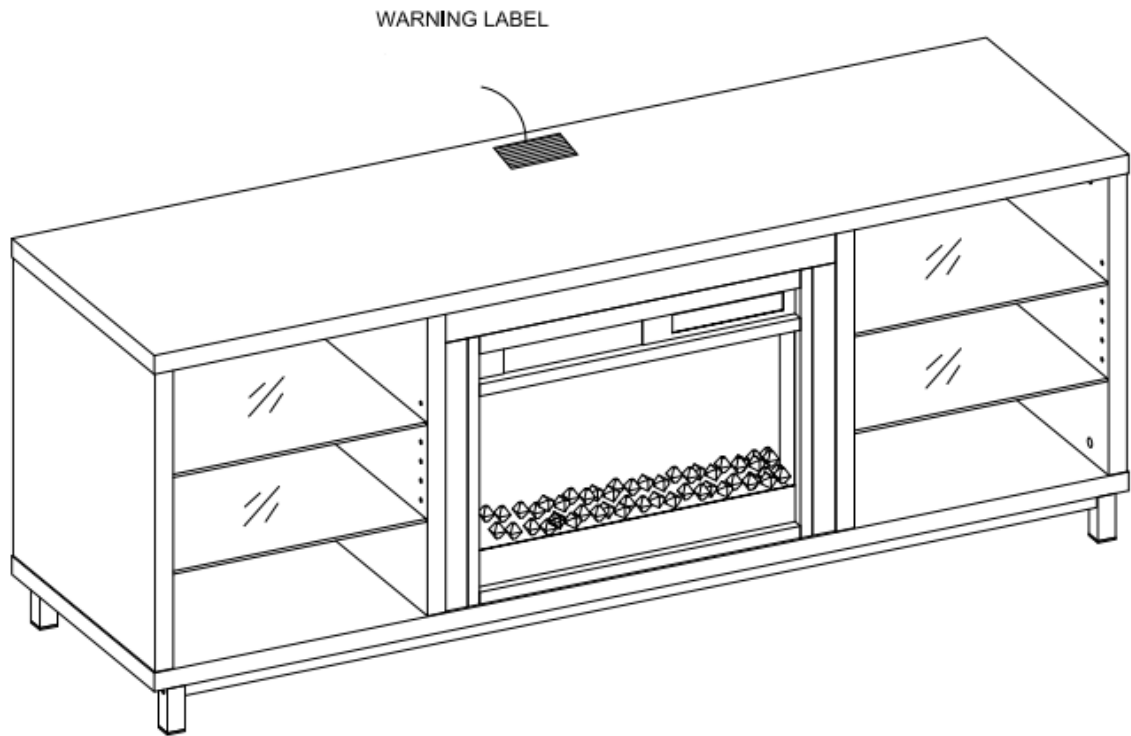
Please carefully read and follow instructions and safety warnings.



WARNING: If the information in the fireplace operating manual is not followed, an electric shock or fire may result in property damage personal injury, or loss of life.

15.

Apply the warning label to the center of the top panel, ensure the TV covers the label in use. You will not be able to remove the label after it is applied to the top panel.

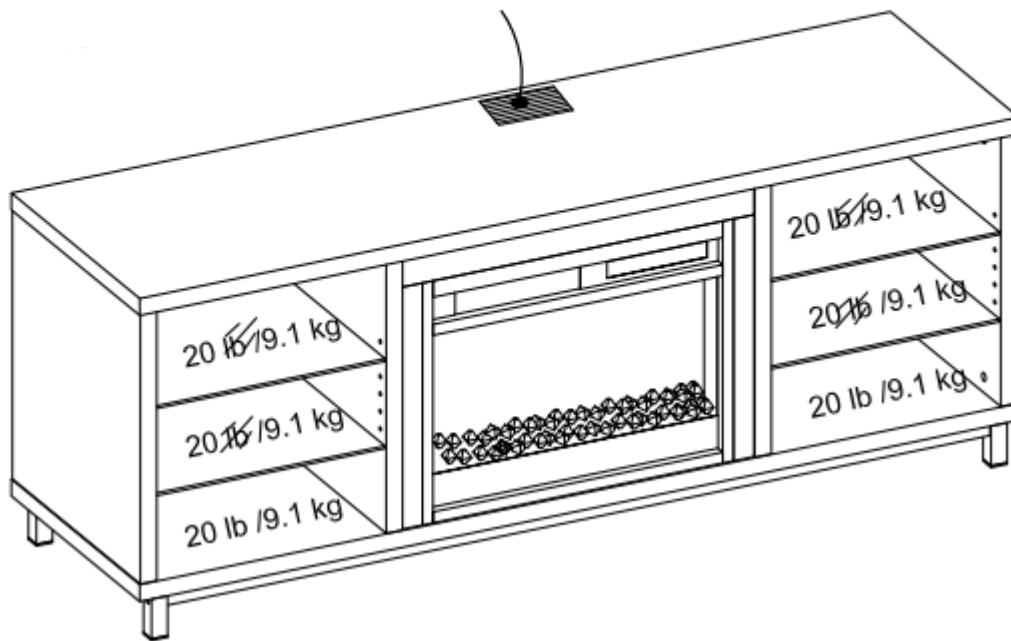


WARNING: Risk of death or serious injury. This unit must be placed against a fixed in place wall at least as tall as television.

WEIGHT LIMITS

This unit has been designed to support the maximum loads shown. Exceeding these load limits could cause sagging, instability, product collapse, and/or serious injury.

Accommodates most flat panel TVs up to 70", 120 lbs./54.4 kgs MAX.



WARNING:

- Please make sure that all objects are removed before moving the assembled unit.
- The unit must be team lifted, not dragged or pushed.
- Failure to do so could cause instability, product collapse, and/or serious injury.

Warning

This content is compiled from multiple sources and is provided for reference purposes only. It may not be complete or fully applicable to all situations. If you are unable to resolve your issue, please contact the product manufacturer or an authorized service provider for official support.