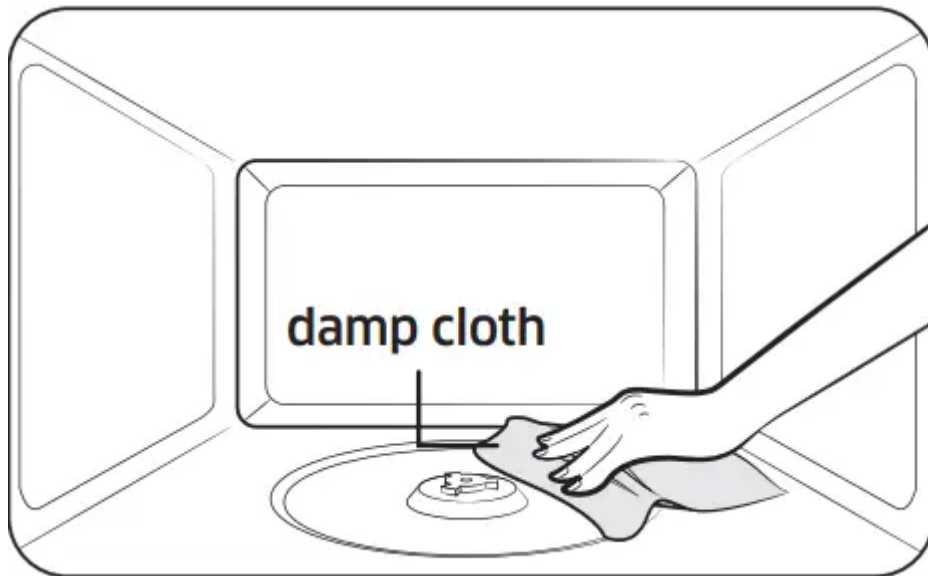
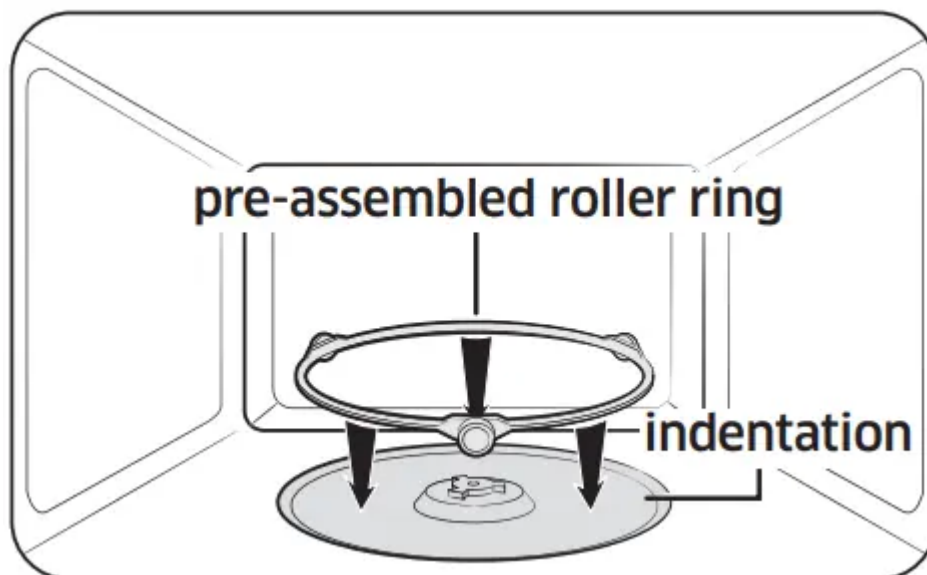


Setting up your microwave oven

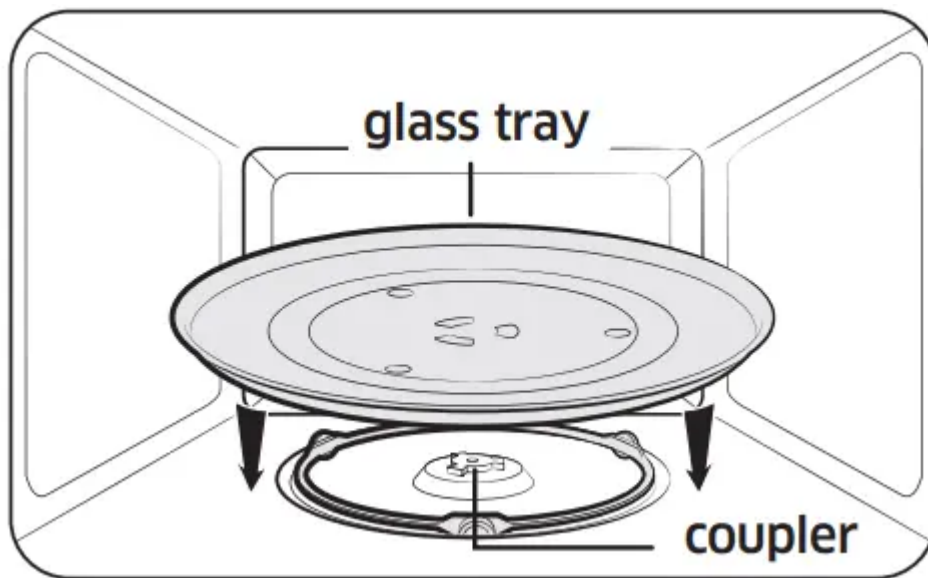
1. Open the door by pulling the handle on the right side of the door.
2. Wipe the inside of your microwave oven with a damp cloth.



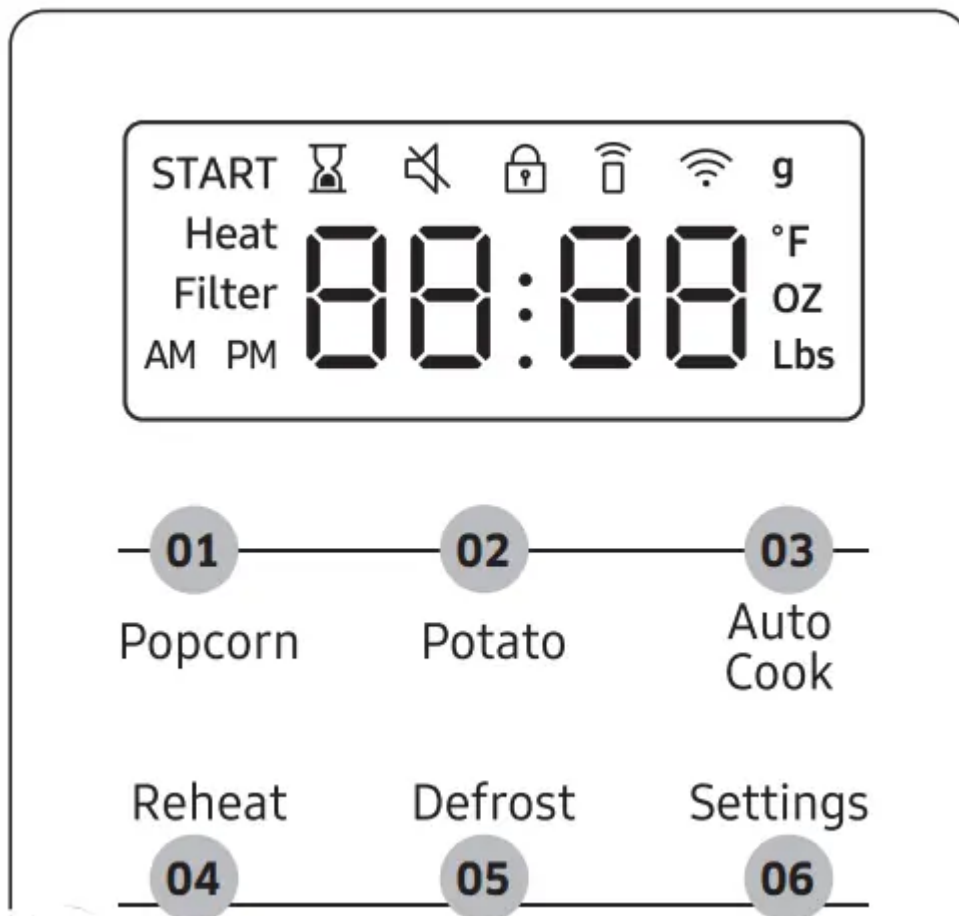
3. Install the pre-assembled ring into the indentation at the center of the microwave oven.

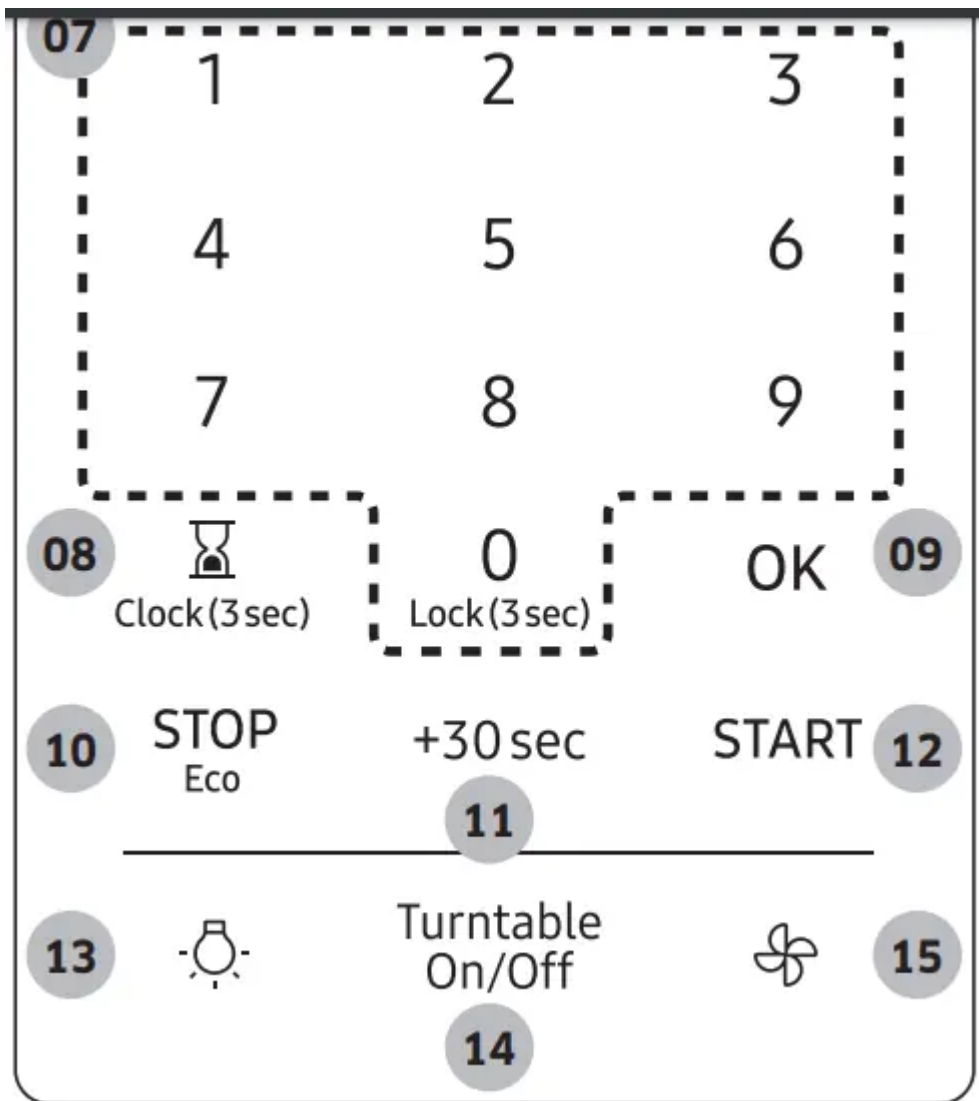


4. Fit the center of the glass tray to the coupler.



Learning about the control panel





- 01. Popcorn Button
- 02. Potato Button
- 03. Auto Cook Button
- 04. Reheat Button
- 05. Defrost Button
- 06. Settings Button
- 07. Number Pad
- 08. Kitchen Timer/Clock Setting Button
- 09. OK Button
- 10. STOP Eco Button
- 11. +30 sec Button
- 12. START Button

13. Light Button (Hi/Low/Off)
14. Turntable On/Off Button
15. Vent Button (4 Speed & On/Off)

Using your microwave oven

Turntable (On/Off)


1. Touch the Turntable On/Off.

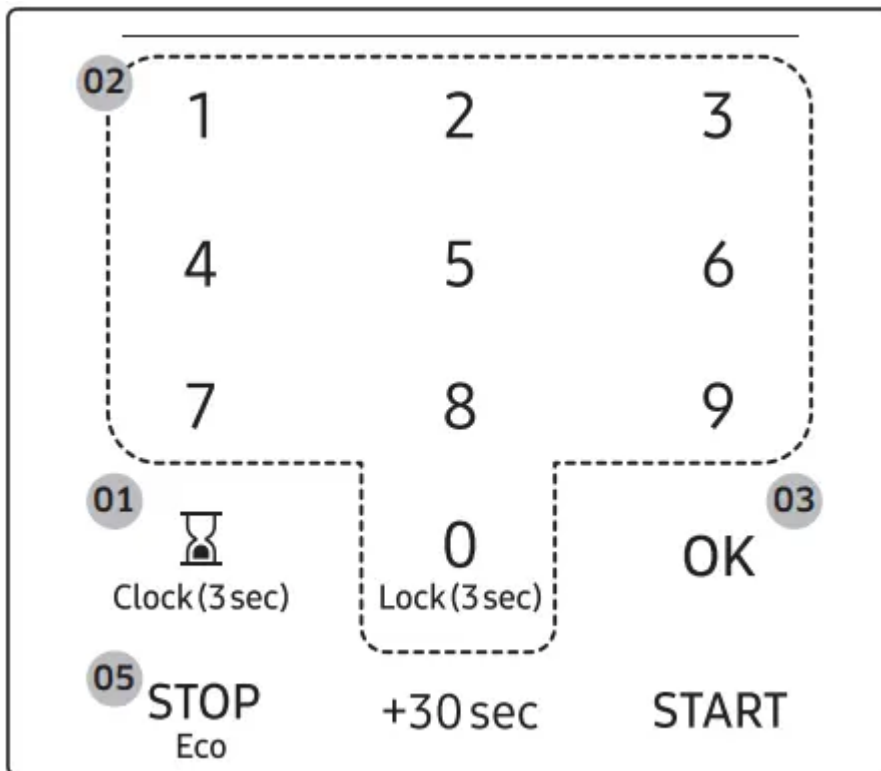


Kitchen Timer

Your microwave has a built-in timer function - the Kitchen Timer. Use the Kitchen Timer for timing up to 99 minutes, 99 seconds.




1. Touch the  button.
2. Use numeric buttons to set the time.
3. Touch the OK button.
4. The display counts down, and then beeps when the time has elapsed.
5. To cancel the timer setting, touch the STOP button.

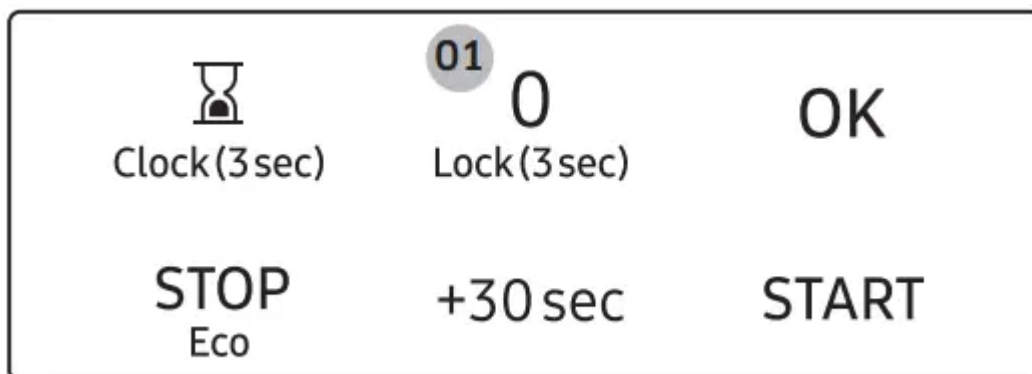


Child Lock

The Child Lock function allows you to lock all buttons so that the microwave oven cannot be operated by children accidentally

Activating / Deactivating If you want to activate or deactivate the child lock function,

touch the Lock button for 3 seconds. The display will show  when the oven is locked.



Stop Button

The STOP button allows you to clear instructions you have entered. It also allows you to pause your microwave oven's cooking cycle, so that you can check the food.

- To pause the oven during cooking, touch the STOP button once. To restart, touch the START button.
- To stop cooking, erase instructions, and return the oven display to the time of day, touch the STOP button twice.
- To clear instructions you have just entered, touch the STOP button once, and then re-enter the instructions.
- To cancel a timer setting, touch the STOP button once.

Eco Mode

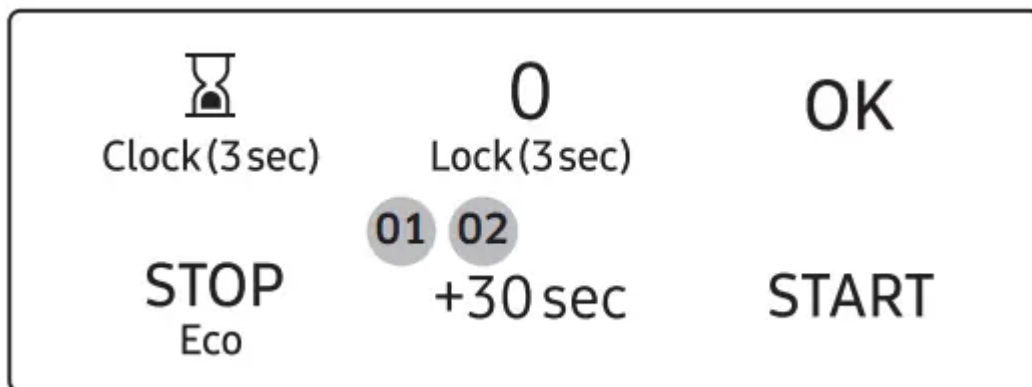
Eco Mode reduces standby power usage. When you touch the STOP Eco button once, the display will go out and the microwave shifts to a mode which minimizes power usage. To cancel the Eco mode, touch any button.




+30 sec

This feature offers a convenient way to increase cooking time in manual cooking mode

1. In standby mode, touching +30 sec button will add 30 seconds of microwave mode.
2. If the oven is in manual cooking mode, touching +30 sec button will add cooking time by 30 seconds.

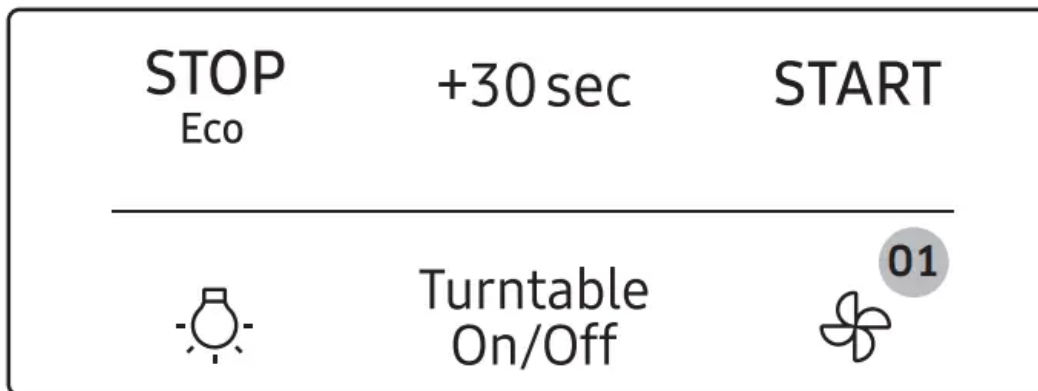


Cooktop Lamp (High/Low/Off)



Touch the  button to turn the cooktop lamp on or off. Touch the button once for high, twice for low and three times to turn the cooktop lamp off.



Vent Fan (Boost/High/Medium/Low/Off)



The vent fan removes steam and other vapors that result from cooking on the cooktop below.

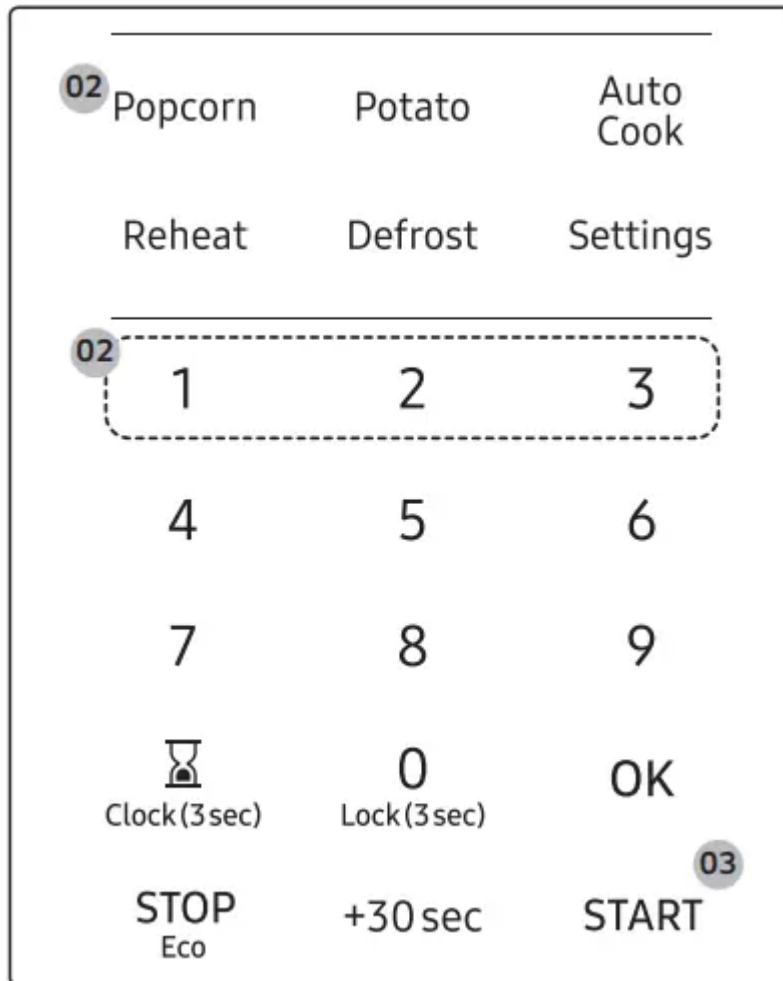
Touch the  button once for boost fan, twice for high fan, three times for medium fan and four times for low fan speed. Touch the  button five times to turn the fan off.

Popcorn

You can cook popcorn easily using the Popcorn button. You do not need to set either the cooking time or the power level.

1. Put a bag of unpopped popcorn on the tray.
2. Touch the Popcorn button and then select size of popcorn by touching numeric button(1 - 3.5 oz / 2 - 3.0 oz / 3 - 1.5 oz).

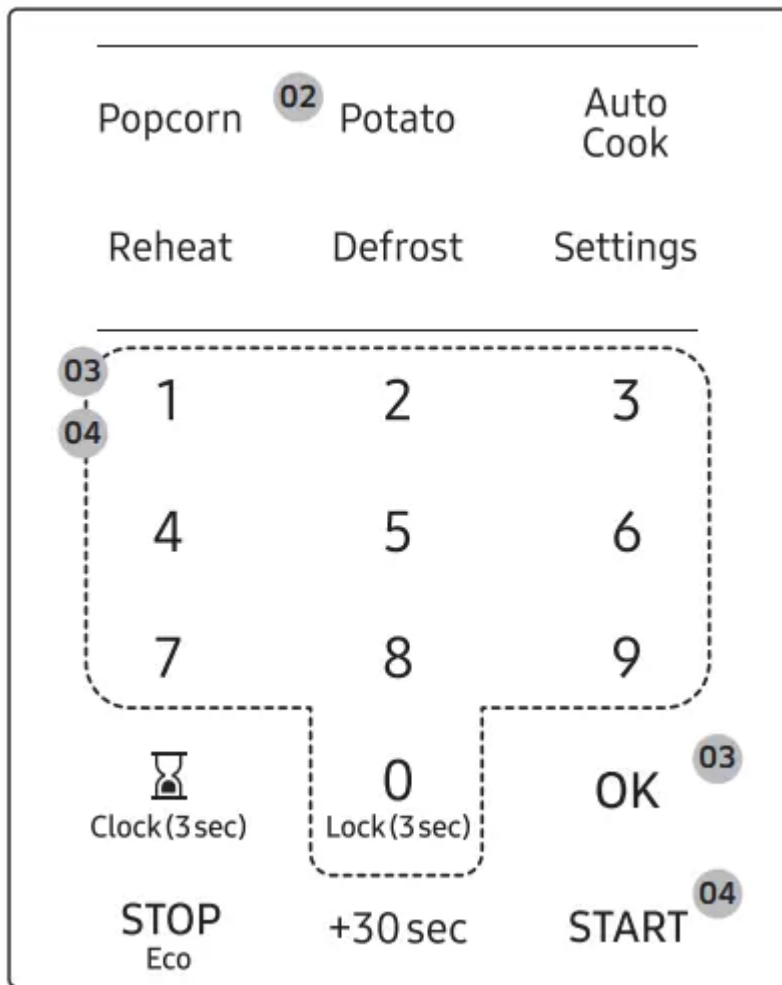
3. Touch START button. The microwave oven will automatically operate by preprogrammed time.



Potato

You can cook potatoes easily using the Potato button. You do not need to set either the cooking time or the power level

1. Put potatoes on the tray.
2. Touch Potato button.
3. Select food item by touching numeric buttons (1-2) and then touch OK button.
4. Select amount by touching numeric buttons and then touch START button.
The microwave oven will automatically operate by pre-programmed time.



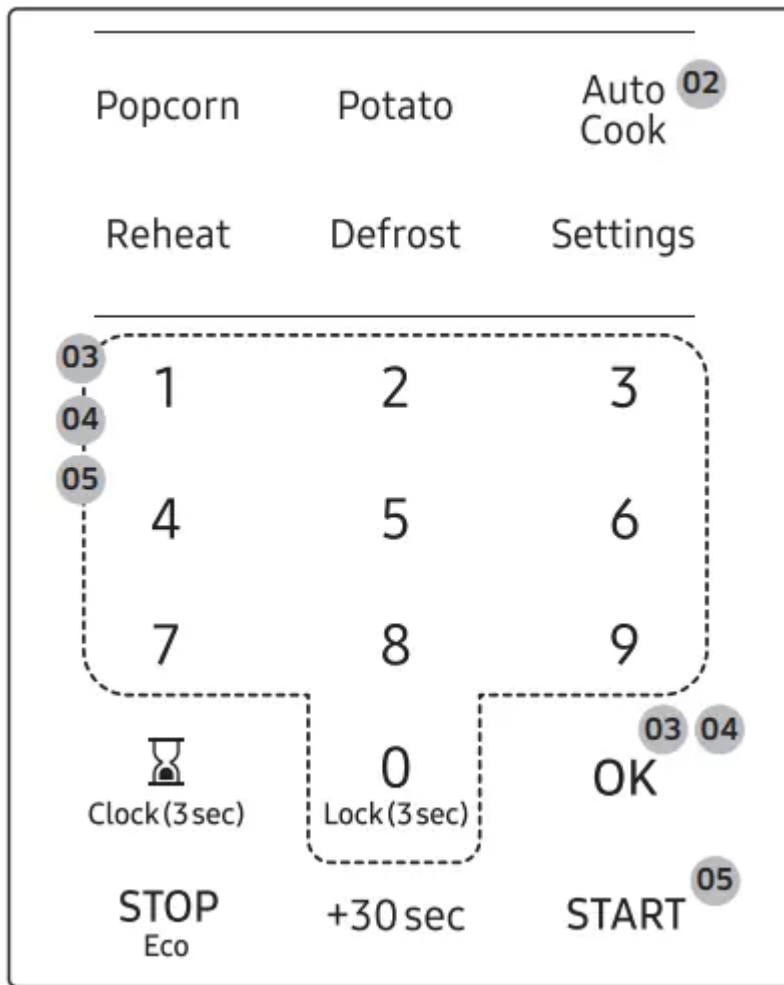
Food		Amount		Instructions
1	Baked potatoes	1	2 ea	Pierce each potato several times with a fork. Place on the turntable in a spoke-like fashion. After cooking, let the potatoes stand for 3-5 minutes.
		2	4 ea	
2	Sweet potatoes	1	2 ea	Pierce each sweet potato several times with a fork. Place on the turntable in a spoke-like fashion. After cooking, let the potatoes stand for 3-5 minutes.
		2	4 ea	

Auto Cook

The Auto Cook button lets you cook favorite foods using preset power levels and times. If the food is not thoroughly cooked after using Auto Cook feature, complete the cooking process by cooking the food for an additional amount of time.

1. Put the food on the tray.
2. Touch Auto Cook button.
3. Select category of food item by touching numeric buttons (1-6) and then touch OK button.

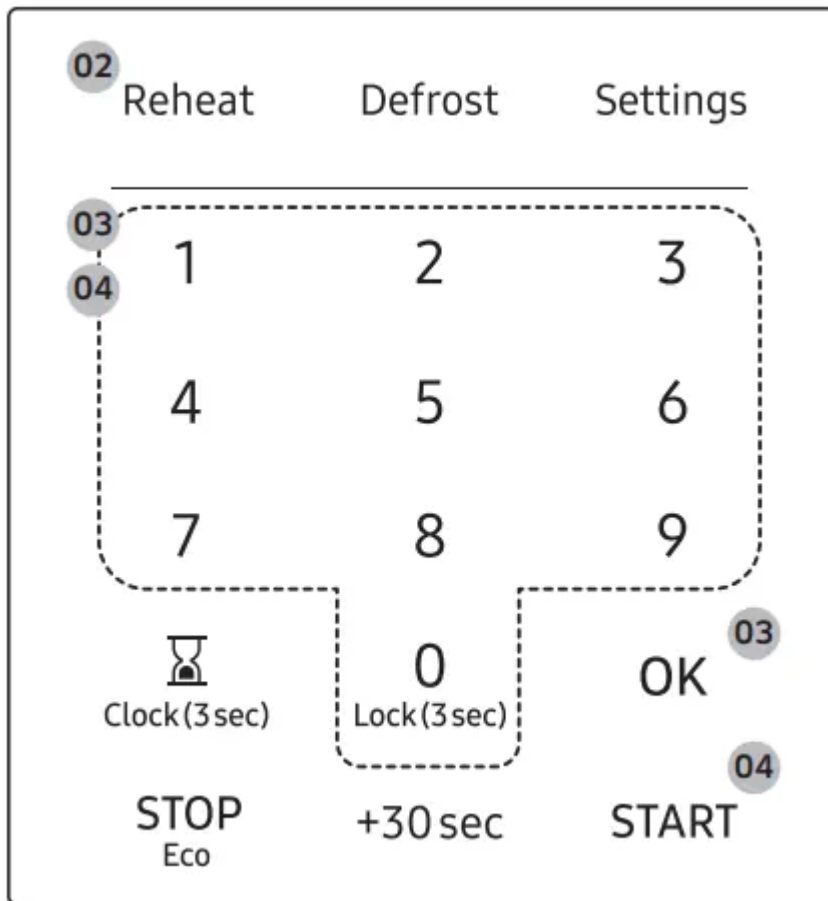
4. Select food item by touching numeric buttons and then touch OK button.
 5. Select amount by touching numeric buttons and then touch START button.
- The microwave oven will automatically operate by pre-programmed time.



Reheat

You can reheat foods easily using the Reheat button. You do not need to set either the cooking time or the power level.

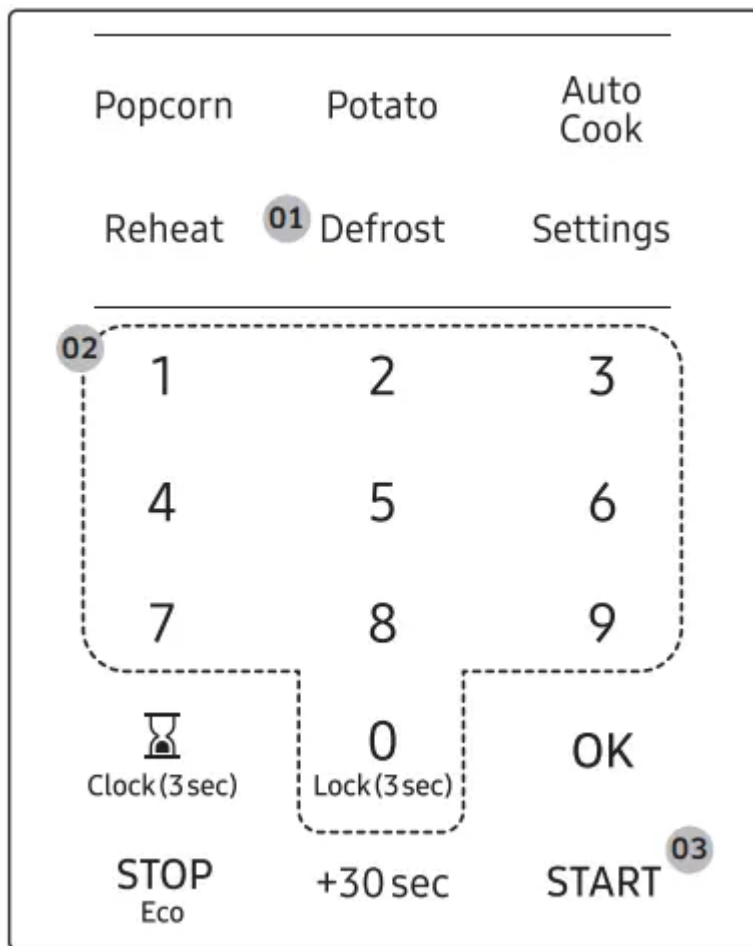
1. Put the food on the tray.
 2. Touch Reheat button.
 3. Select food item by touching numeric buttons (1-7) and then touch OK button.
 4. Select amount by touching numeric buttons and then touch START button.
- The microwave oven will automatically operate by pre-programmed time.



Defrost

To thaw frozen foods, enter the weight of the food, and the microwave automatically sets the defrosting time, power level, and standing time.

1. Touch the Defrost button.
2. Touch the numeric buttons to directly enter the weight of the food. (0.1-6.0 lbs, 100-2700 gr. See the table following)
3. Touch START button.
4. The oven will beep during the defrosting process. Open the oven door, and turn the food over. If you do not turn the food over when the oven beeps, the microwave will continue until the end of cooking time.



Microwave

Your microwave oven allows you to set two different cooking stages, each with its own time length and power level. The power level lets you control the heating intensity from Warm (1) to High (10).

Power levels

The 10 power levels allow you to choose the optimal power level for your cooking needs.

Power Level		Description	Power Level		Description
1	10	Warm	6	60	Simmer
2	20	Low	7	70	Medium high
3	30	Defrost	8	80	Reheat
4	40	Medium low	9	90	Sauté
5	50	Medium	1,0	100	High

One-stage cooking

1. In standby mode, touch the numeric buttons to set a cooking time. You can enter a time from one second to 99 minutes and 99 seconds. To select a time greater than

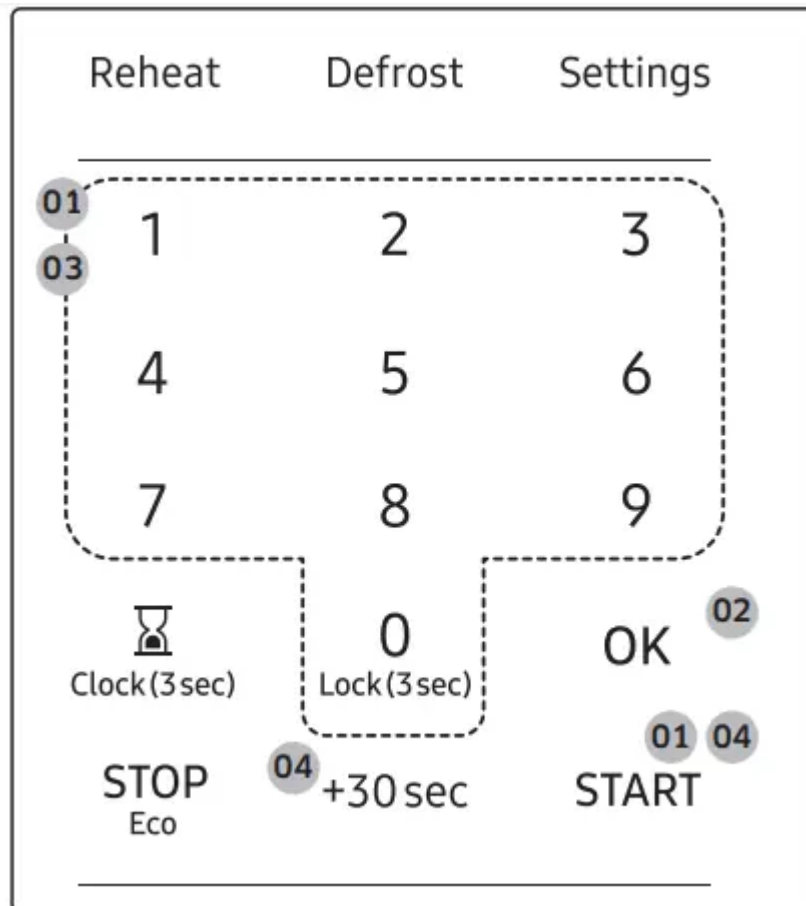
one minute, enter the seconds too. (For example, to set a cooking time of 20 minutes, enter 2, 0, 0, 0.) If you do not need to set the power level, just touch the START button. The microwave will automatically operate at the High power level.

2. If you want to set the power level to a level other than High, touch the OK button.

3. Touch the numeric buttons that correspond to the power level you want to use.

4. Touch the START button. If you want to add the cooking time, touch +30 sec button.

You can adjust the cooking time while the microwave oven is operating



Multi-stage cooking (maximum of 2 stages)

Your oven allows you to set two different cooking stages, each with its own time length and power level. The power level lets you control the heating intensity from Warm to High.

1. Follow steps 1, 2, and 3 from the “One-stage cooking” section.
2. Touch OK button to move to the second stage.
3. Follow steps 1, 2, 3, and 4 from the “One-stage cooking” section

Cleaning and maintaining your microwave oven

Cleaning the exterior

It's best to clean spills on the outside of your microwave oven as they occur. Use a soft cloth and warm, soapy water. Rinse and dry

Cleaning under your microwave oven

Regularly clean grease and dust from the bottom of your microwave using a solution of warm water and detergent

Cleaning the control panel

Wipe with a damp cloth and dry thoroughly. Do not use cleaning sprays, large amounts of soap and water, abrasives, or sharp objects on the panel as it is easily damaged

Cleaning the door and door seals

Always ensure that the door seals are clean and that the door closes properly. Take particular care when cleaning the door seals to ensure that no particles accumulate and prevent the door from closing correctly. Wash the glass door with very mild soap and water. Be sure to use a soft cloth to avoid scratching.

Cleaning the interior

CAUTION : To avoid injury, ensure that the microwave oven has cooled down before cleaning it. Remove the glass tray from the oven when cleaning the oven or tray. To prevent the tray from breaking, handle it with care and do not put it in water immediately after cooking. Wash the tray carefully in warm sudsy water or in the dishwasher.

Cleaning the turntable and roller rings

Clean the roller rings periodically and wash the turntable as required. The turntable can be washed safely in your dishwasher.

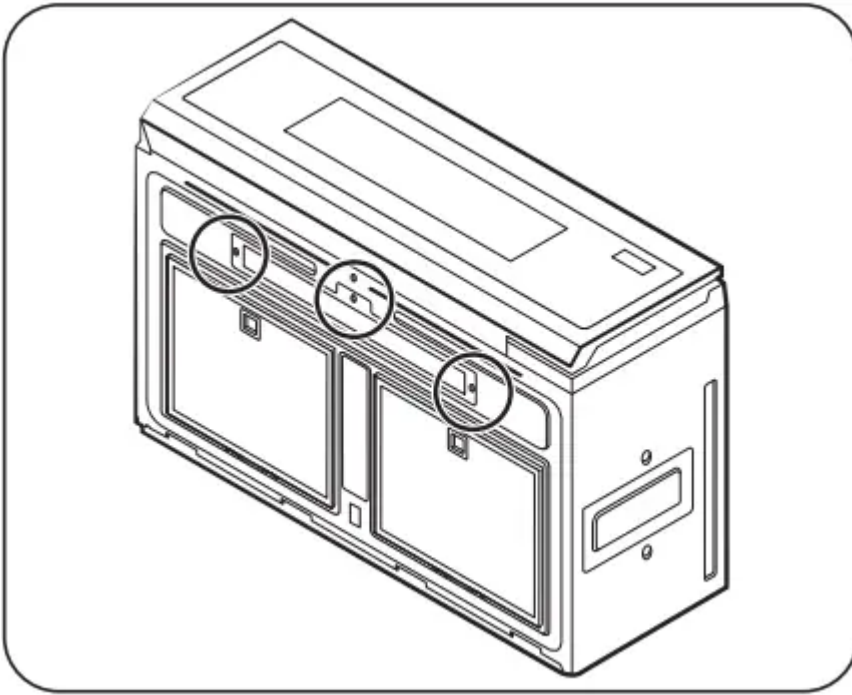
Storing and repairing your microwave oven

If you need to store your microwave oven for a short or extended period of time, choose a dust-free, dry location. Dust and dampness may adversely affect the functionality of the microwave parts.

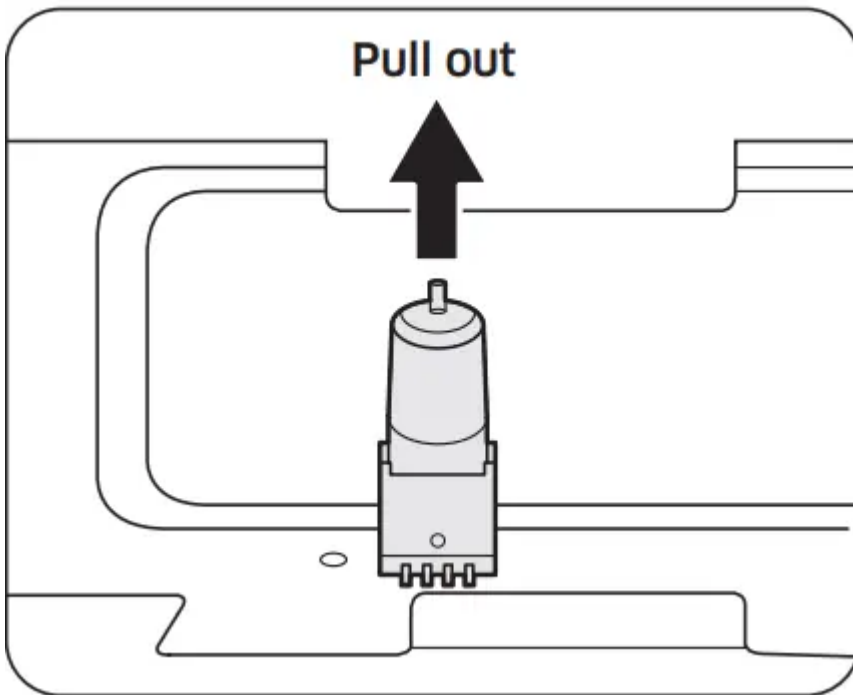
Replacing the cooktop/night light

When replacing the cooktop/night light, make sure that you are wearing gloves to avoid injury from the heat of the lamp

1. Unplug the oven or turn off the power at the main power supply.
2. Remove the screw from the light cover and lower the cover.



3. Pull out the halogen lamp from the holder and replace it. To assemble halogen lamp, proceed opposite order from above instructions.

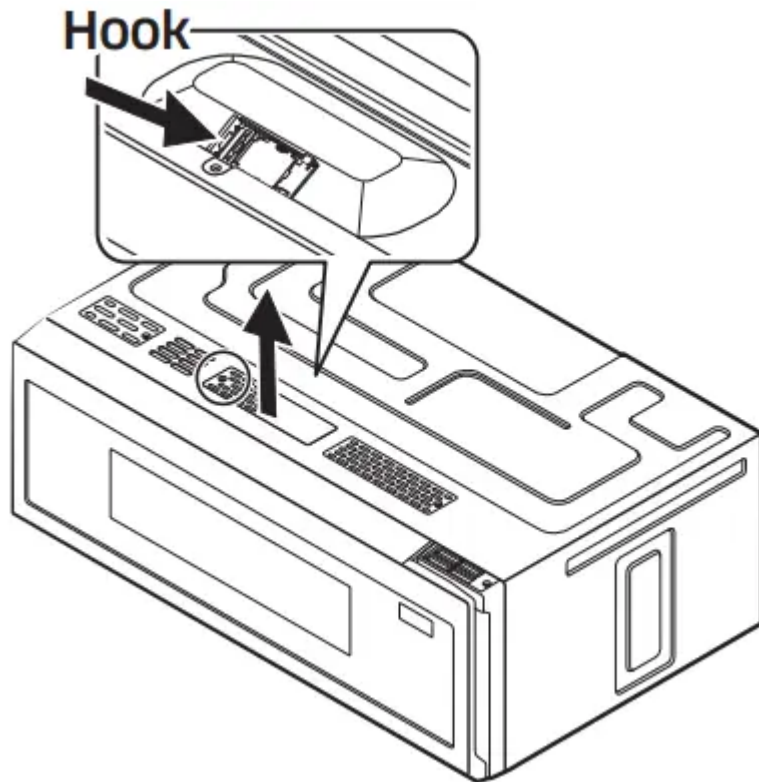


Replacing the oven light

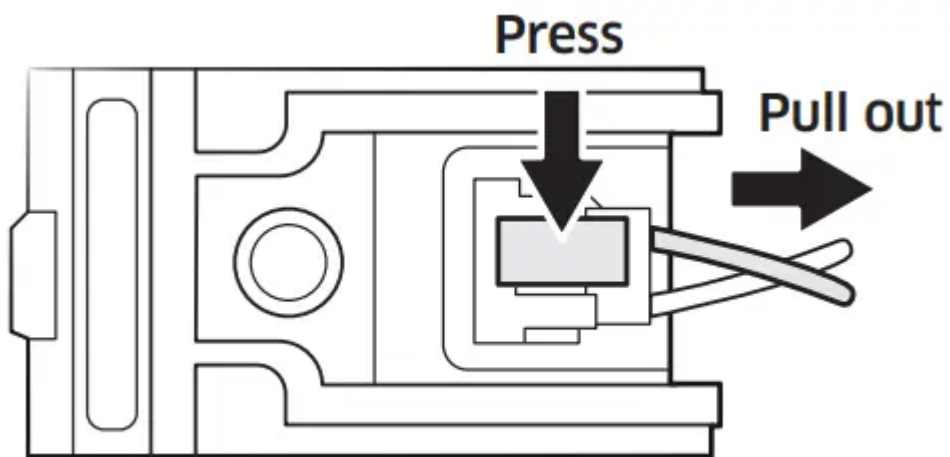
When replacing the oven light, make sure that you are wearing gloves to avoid injury from the heat of the lamp.

1. Unplug the oven or turn off the power at the main power supply.
2. Remove the vent cover mounting screw and then remove the vent cover.

3. Lift up the holder lamp by pushing the hook slightly



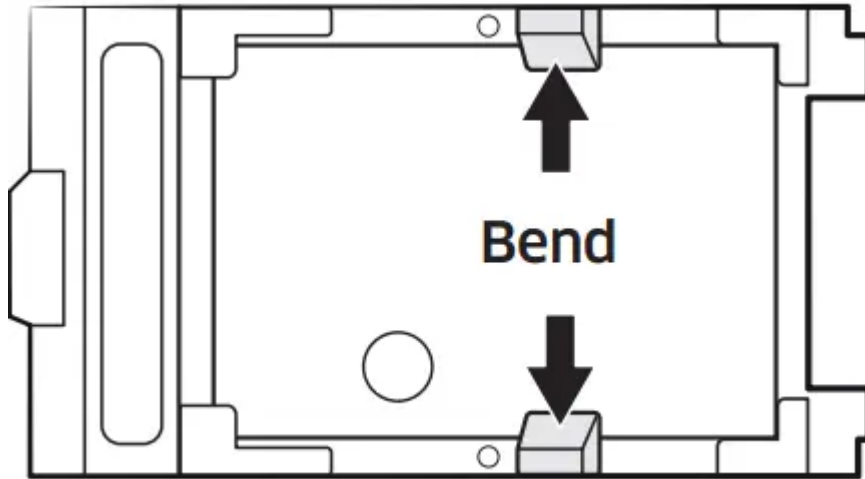
4. Press the hook of connector which is locked to the LED lamp board and pull out the wire connector.



5. Remove LED lamp board by bending hooks which is holding it.

6. Replace the LED lamp board. To assemble LED lamp board, proceed opposite order from above instructions.

7. Plug the oven in or turn on the power at the main power supply. Set the clock again.

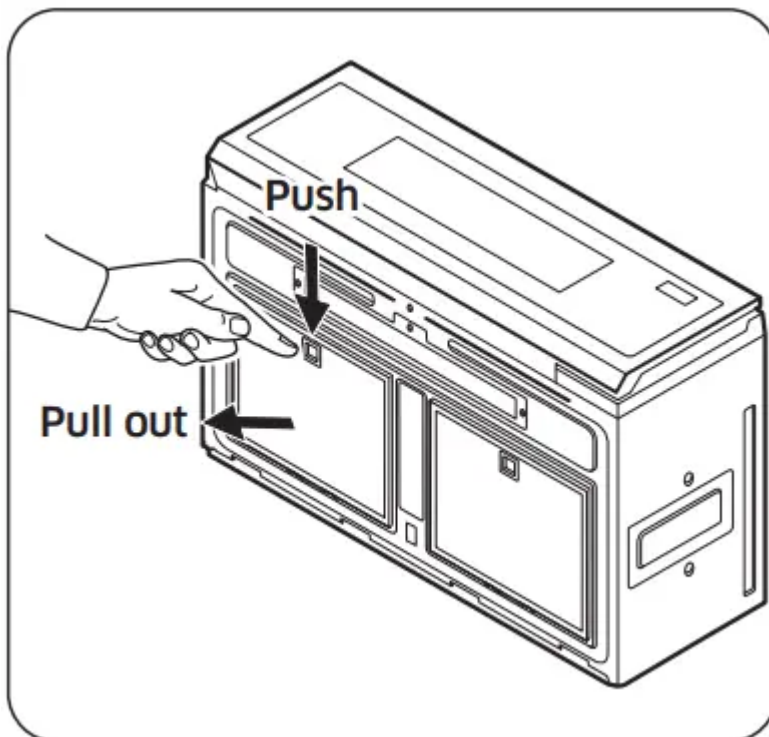


Cleaning the grease filter

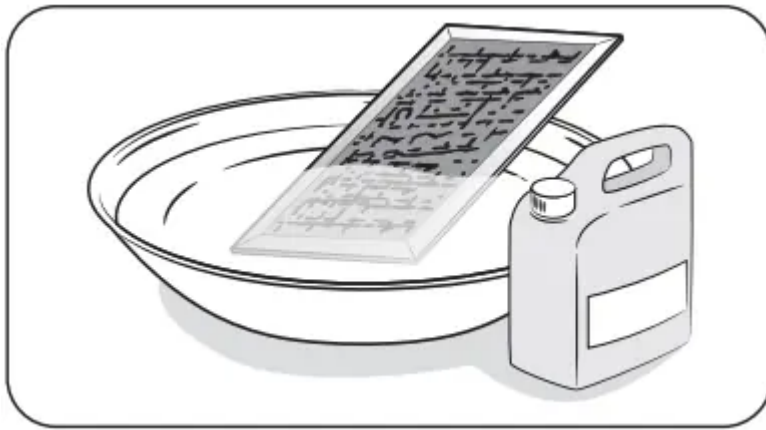
Your microwave oven has reusable grease filter. The grease filter should be removed and cleaned at least once a month or as required. To order a new grease filter, contact Samsung Parts at 1-800-627-4368 or your Samsung dealer

WARNING : To avoid the risk of personal injury or property damage, do not operate the oven hood without the filter in place.

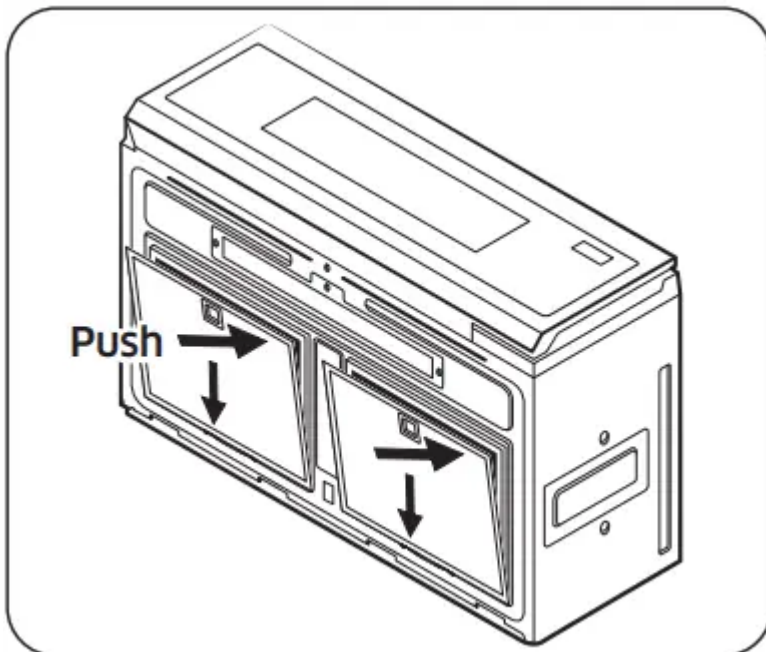
1. To remove the filter, push the handle of the grease filter.
2. Pull the grease filter out of the microwave oven.



3. Soak the grease filter in hot water mixed with a mild detergent. Rinse well and shake to dry. If necessary, brush the filter lightly to remove embedded dirt.



4. To re-insert the filter into the microwave oven, slide the filter into the frame slot, and then push it inside.



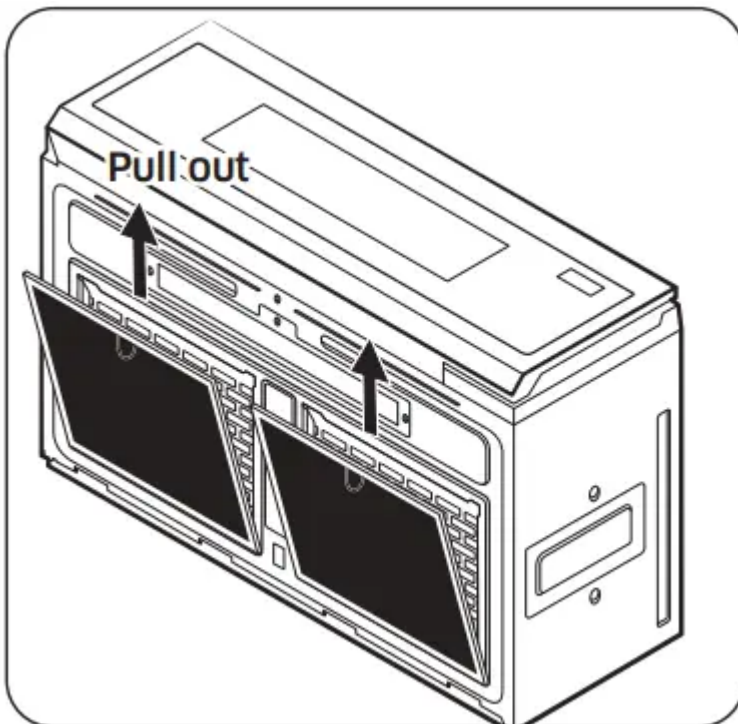
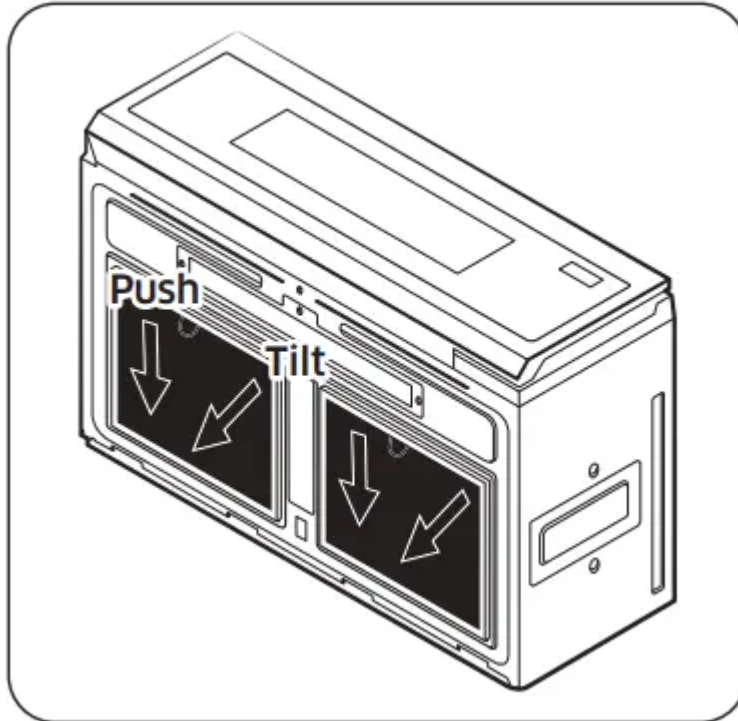
Replacing the charcoal filter

The charcoal filter should be replaced every 6 to 12 months and more often if necessary. If the filter is not replaced periodically, the powder may fall off. The charcoal filter cannot be cleaned. To order a new charcoal filter, contact the Samsung Parts at 1-800-627-4368 or your Samsung dealer

1. Unplug the oven or turn off the power at the main power supply.
2. Remove the grease filter. (Check the instructions on 'Cleaning the grease filter')
3. Push the charcoal filter backwards by using handle of it and then tilt it.
4. Pull the filter out to remove it.

5. Slide a new charcoal filter into place. Proceed opposite order from above instructions.

6. Insert grease filter. Plug the oven in or turn on the power at the main power supply. Set the clock again.



Troubleshooting

Check points



Problem	Cause	Action
General		
The buttons cannot be touched properly	Foreign matter may be caught between the buttons.	Remove the foreign matter and try again.
	For touch models: Moisture is on the exterior.	Wipe the moisture from the exterior.
	The Child Lock is activated	Deactivate the Child Lock.
The time is not displayed.	Power is not supplied.	Make sure power is supplied. Confirm the microwave is plugged in. Check your fuses or circuit breakers.
	The Eco (power-saving) function is set.	Turn off the Eco function.
The oven does not work.	Power is not supplied.	Make sure power is supplied. Confirm the microwave is plugged in. Check your fuses or circuit breakers.
	The door is open.	Close the door and try again.
	The door open safety mechanisms are covered by foreign matter.	Remove the foreign matter and try again.
The oven stops while in operation.	The user has opened the door to turn food over.	After turning over the food, touch the START button again to start operation.
The power turns off during operation.	The oven has been cooking for an extended period of time.	After the oven has cooked for an extended period of time, let the oven cool.
	The cooling fan is not working.	Listen for the sound of the cooling fan.
	Trying to operate the oven without food inside.	Put food in the oven.
		There are intake/exhaust outlets on the front and rear of the oven for ventilation. Check the installation guide and make

	There is not enough ventilation space around the oven.	sure that the microwave is far enough away from walls and cabinets for proper ventilation.
	Several appliances or devices are plugged into the same outlet.	Unplug all other appliances or devices from the outlet
There is no power to the oven.	Power is not supplied.	Make sure power is supplied. Confirm the microwave is plugged in. Check your fuses or circuit breakers.
There is a popping sound during operation, and the oven doesn't work.	Cooking food in a sealed container or using a container with a tight lid.	Do not cook food in sealed containers or in containers with tight lids. Expanding steam from the cooking food can cause the containers to burst or the lids to pop off.
The oven exterior gets too hot during operation.	There is not enough ventilation space around the oven.	There are intake/exhaust outlets on the front and rear of the oven for ventilation. Check the installation guide and make sure that the microwave is far enough away from walls and cabinets for proper ventilation.
	Objects are on top of the oven	Remove all objects on the top of the oven.
The door cannot be opened properly	Food residue is stuck between the door and oven interior.	Clean the oven and then open the door.
The oven does not heat.	The oven may not work if too much food is being cooked or improper cookware is being used.	To test the oven, put one cup of water in a microwave-safe container, put the container in the oven, and then run the microwave for 1-2 minutes to check whether the water is heated. If the water is heated, reduce the amount of food and start the function again. Use a cooking container with a flat bottom.
Heating is weak or slow.	The oven may not work if too much food is being cooked	To test the oven, put one cup of water in a microwave-safe container, put the container in the oven, and then run the

	or improper cookware is being used.	microwave for 1-2 minutes to check whether the water is heated. If the water is heated, reduce the amount of food and start the function again. Use a cooking container with a flat bottom.
The warm function does not work.	The oven may not work if too much food is being warmed or improper cookware is being used.	To test the oven, put one cup of water in a microwave-safe container, put the container in the oven, and then run the microwave for 1-2 minutes to check whether the water is heated. If the water is heated, reduce the amount of food and start the function again. Use a cooking container with a flat bottom.
The thaw function does not work.	The oven may not work if too much food is being thawed or improper cookware is being used.	To test the oven, put one cup of water in a microwave-safe container, put the container in the oven, and then run the microwave for 1-2 minutes to check whether the water is heated. If the water is heated, reduce the amount of food and start the function again. Use a cooking container with a flat bottom.
The interior light is dim or does not turn on.	The door has been left open for a long time.	The interior light may automatically turn off when the Eco function operates. Close and reopen the door or touch the STOP button.
	The interior light is covered by foreign matter	Clean the inside of the oven and check again.
A beeping sound occurs during cooking	If the Auto Cook function is being used, this beeping sound means it's time to turn over the food.	After turning over the food, touch the START button again to restart operation.
The oven is not level	The oven is installed on an uneven surface.	Make sure the oven is installed on flat, stable surface.
There are sparks during cooking	Metal containers are used during cooking or thawing	Do not use metal containers.
		Close the door and check again.

When power is connected, the oven immediately starts to work.	The door is not properly closed.	
There is electricity coming from the oven	The power source or power outlet is not properly grounded.	Make sure the power source and power outlet are properly grounded.
There is water dripping.	Water or steam may be generated by the cooking or defrosting process, depending on the food. This is not an oven malfunction.	Let the oven cool and then wipe with a dry dish towel.
There is steam coming through a crack in the door.	Water or steam may be generated by the cooking or defrosting process, depending on the food. This is not an oven malfunction.	Let the oven cool and then wipe with a dry dish towel.
There is water left in the oven.	Water or steam may be generated by the cooking or defrosting process, depending on the food. This is not an oven malfunction.	Let the oven cool and then wipe with a dry dish towel.
The brightness inside the oven varies	Changes in brightness reflect changes in power output. Power output changes depending on the functions in use.	Power output changes during cooking are not malfunctions.
Cooking is finished, but the cooling fan is still running.	To ventilate the oven, the cooling fan continues to run for about 3 minutes after cooking is complete.	This is not an oven malfunction.
Touching the START button operates the oven.	This happens when the oven is not operating.	The microwave oven is designed to start operating when you touch the START button if it was not operating.
Turntable		

While turning, the turntable comes out of place or stops turning.	There is no roller ring, or the roller ring is not properly in place.	Install the roller ring properly and then try again.
The turn table drags while turning.	The roller ring is not properly in place, there is too much food, or the container is too large and touches the inside of the microwave.	Install the roller ring properly. Adjust the amount of food. Do not use containers that are too large.
The turn table rattles while turning and is noisy.	Food residue is stuck to the bottom of the oven.	Remove any food residue stuck to the bottom of the oven.

Information codes

Code	Description	Action
C-10	The GAS sensor is open	Unplug the power cord of the oven, and then contact a local Samsung service center.
	The GAS sensor is shorted.	
C-F0	The microwave has sensed an internal communications failure.	Unplug the power cord of the oven, and then contact a local Samsung service center
C-F1	Only occurs when EEPROM Read or Write is not working.	Unplug the power cord of the oven, and contact a local SAMSUNG Customer Care Center.
C-F2	A touch button has malfunctioned.	Touch STOP, and then try the button again.
C-d0	Control buttons are touched over 10 seconds.	Clean the keys and check if there is water on the surface around key. If it appears again, turn off the microwave oven, let it sit for more than 30 seconds, and then try setting again. If this code re-appears, call your local SAMSUNG Customer Care Center.

Specifications

Model	ME11A7510D*/AA	ME11A7510D*/AC
Oven Cavity	1.1 cu ft	
Controls	10 power level, including Defrost	
Timer	99 minutes, 99 seconds	
Power Source	120 VAC, 60 Hz	
Power Consumption	1650 Watt Microwave	1500 Watt Microwave
Microwave Power Output	1100 Watts	1000 Watts
Cook Top Light	Halogen lamp (2 EA)	
Oven Light	LED lamp	
Oven Cavity Dimensions (inches)	18 ½" (W) X 6 ⅛" (H) X 14 ⅝" (D)	
Outside Dimensions (inches)	29 ⅞" (W) X 10 ¾" (H) X 19 ⅛" (D)	
Shipping Dimensions (inches)	33 ¼" (W) X 15 ⅞" (H) X 22 ⅛" (D)	
Net/Shipping Weight	56.7 lbs. / 63.1 lbs. (25.7 kg / 28.6 kg)	

Warning

This content is compiled from multiple sources and is provided for reference purposes only. It may not be complete or fully applicable to all situations. If you are unable to resolve your issue, please contact the product manufacturer or an authorized service provider for official support.