

## Getting started with your LithiumLife™ or LithiumLife™ Extended Runtime battery

### It's ready when you are.

You can leave your battery on the charger– even after it's charged. Reference the chart on page 12 to find the charge time for your battery and charger model.

### It cleans powerfully at any charge level.

Whether it's 25% charged or 100% full, get fade-free power until the end of the charge.

### It's versatile.

This battery and charger are compatible with the rest of our LithiumLife™ family

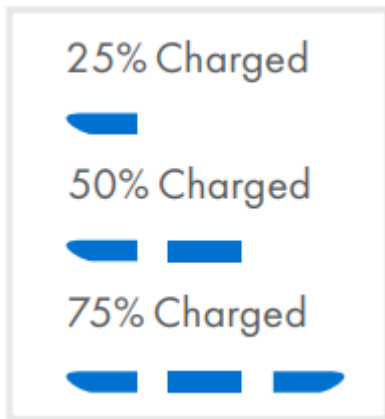
## Charging the battery



- To bring the battery to full life, place the battery onto the charger.
- LithiumLife™ battery does not come fully charged.



- When charging, the charger light will turn solid blue and the blue LEDs on the battery will light up to indicate charging progress.



- To check the charge level of your battery, press the Charge Level Check Button.

### Removing the battery



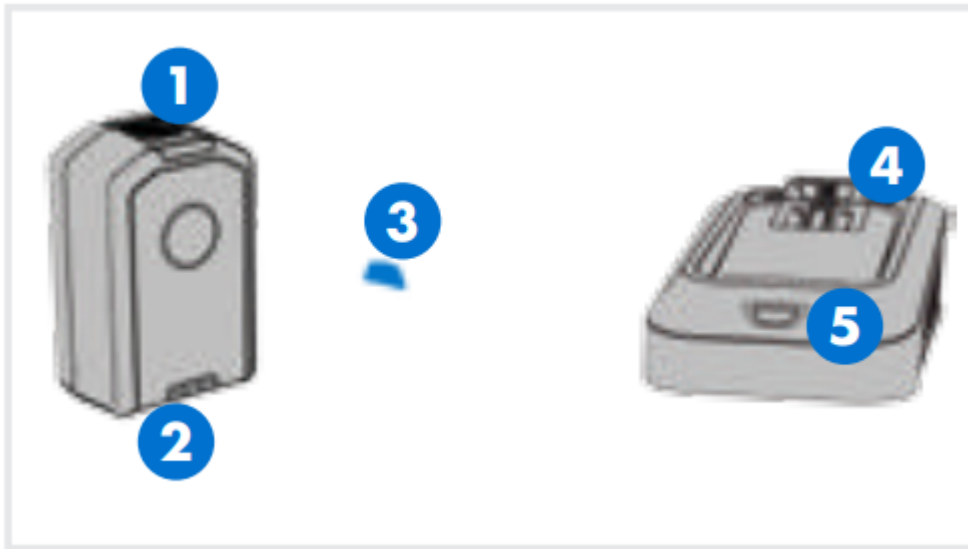
- The charger light will turn off when fully charged.
- If the charger LED flashes red, an error has occurred. Remove and replace.



- To remove the battery, press the blue release button and lift the battery while holding down on the charger base.

### Runtime.

Runtime will vary based on the particular combination of LithiumLife™ battery model and FloorMate® Cordless or Air™ Cordless cleaner products. If using a LithiumLife™ battery model different than the battery that came with your Air™ Cordless product, runtime differences will occur.



### Battery

1. Blue Release Button
2. LED Charge Level Indicator
3. Charge Level Check Button

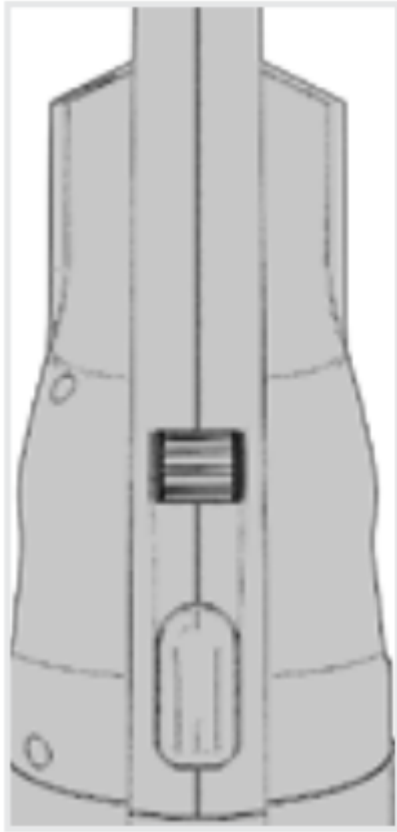
### Charger

4. Battery Cavity
5. LED Indicator

## Using your Air™ Cordless 2-in-1 Hand Vac



1. Pivot battery in the Hand Vac and click it into place. Battery does not come fully charged.



2. Roll the power switch to turn on.



3. For detailed cleaning, attach the Crevice Tool.





4. Attach the Motorized Turbo Tool to clean stairs and upholstery. Align the pins and insert here until it's securely in place.

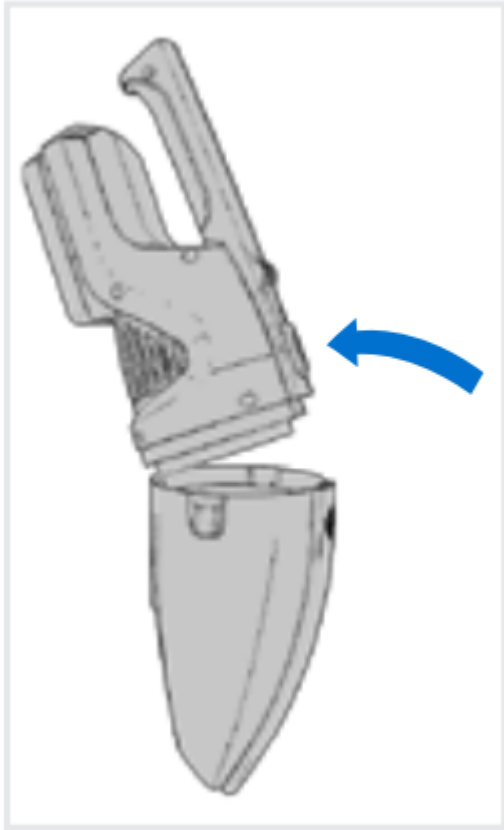
**WARNING:** Always turn off this appliance before connecting or disconnecting the Motorized Turbo Tool or tools.

## Keep your Air™ Cordless 2-in-1 Hand Vac running properly:

### Dirt Cup



1. Empty the dirt cup when it is full or sooner.



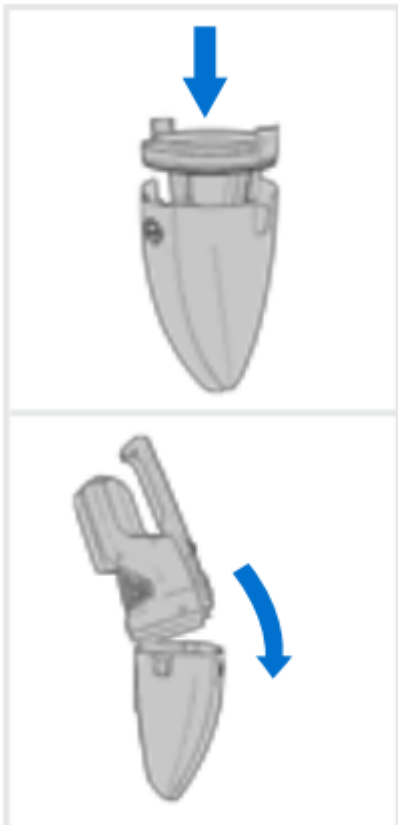
2. Press this button to open the dirt cup.



3. Grip these tabs and lift out dirt cup separator.



4. Empty the dirt.



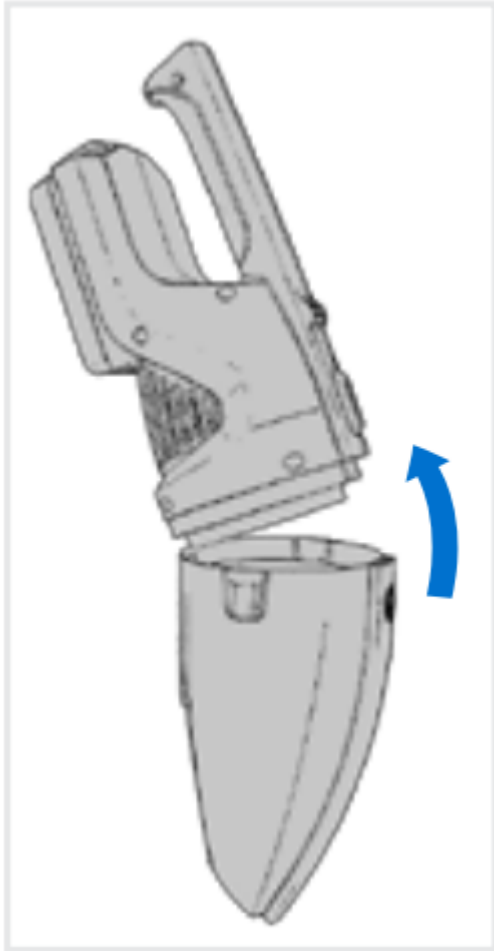
5. Replace the dirt cup separator and snap the Hand Vac back together.

**WARNING:** To reduce the risk of personal injury, remove battery before cleaning or servicing. Do not use vacuum without dirt cup or filters in place. Very fine materials, such as face powder or cornstarch may seal the filter and cause a reduction in performance. When using the vacuum for this type of dust, empty the cup and clean the filters often.

## Filters



Clean this filter every 4-6 uses, or as needed.



1. Open the dirt cup



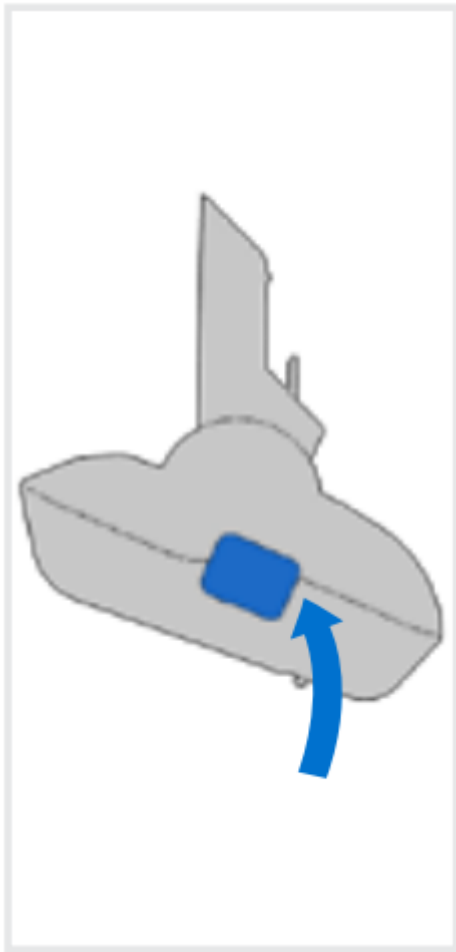
2. Pull tab to remove the filter from the dirt cup separator.



3. Rinse for 2 minutes in clear warm water; dry for 24 hours.

**WARNING:** To reduce the risk of personal injury, remove battery before cleaning or servicing.

## Motorized Turbo Tool



1. Squeeze here to open the motorized turbo tool.

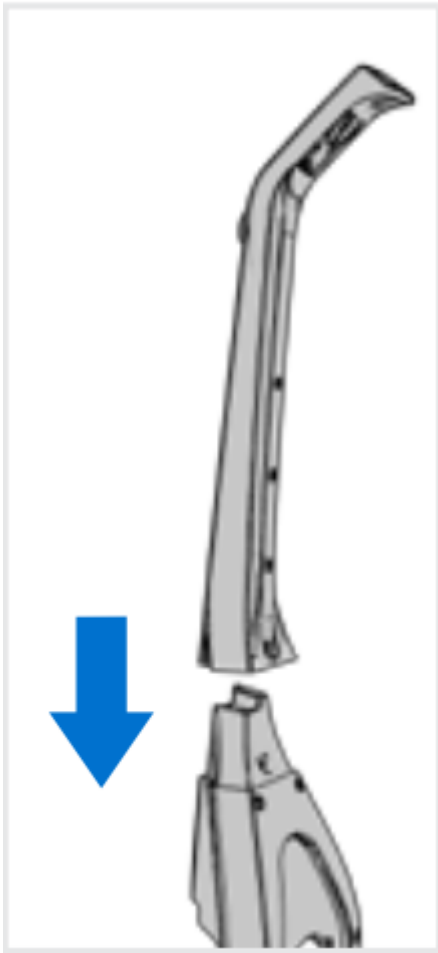


2. Pull out brush roll and remove debris.

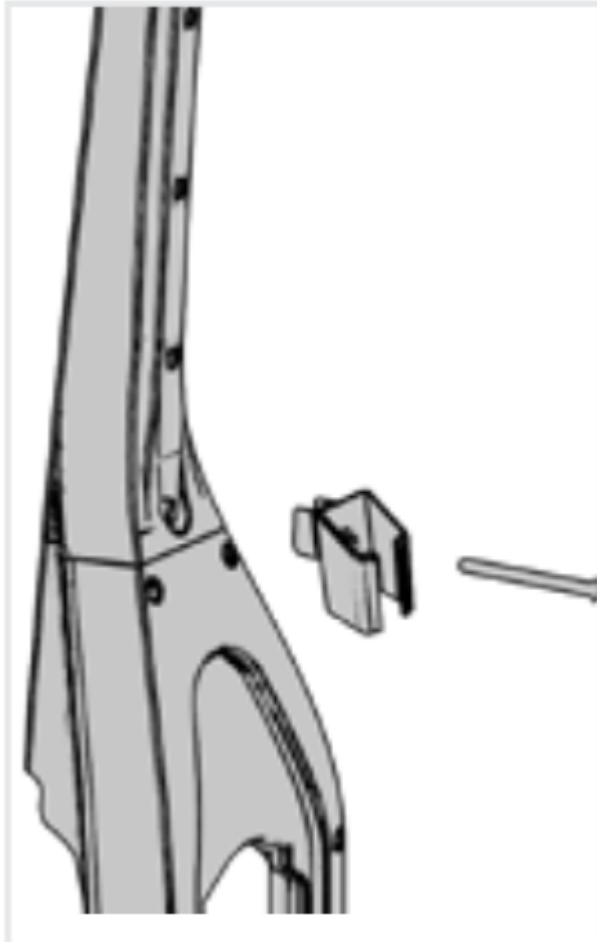


3. Replace the clean brush roll and snap the tool shut.

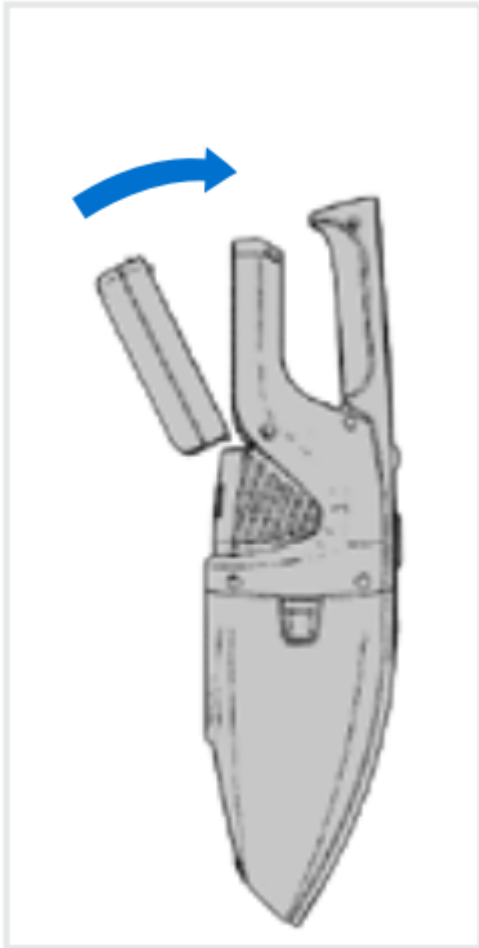
## Getting started with your Air™ Cordless 2-in-1



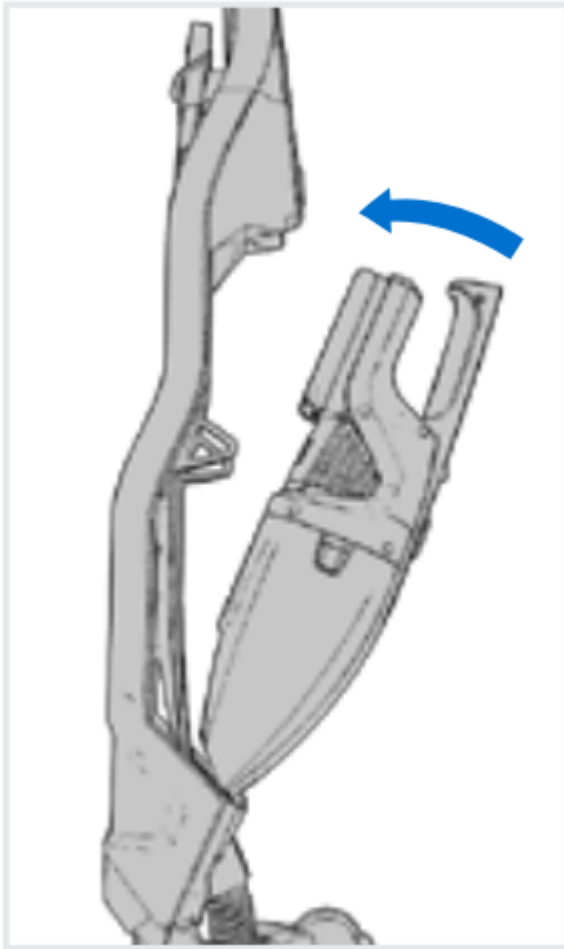
1. Insert the handle until it locks into place.



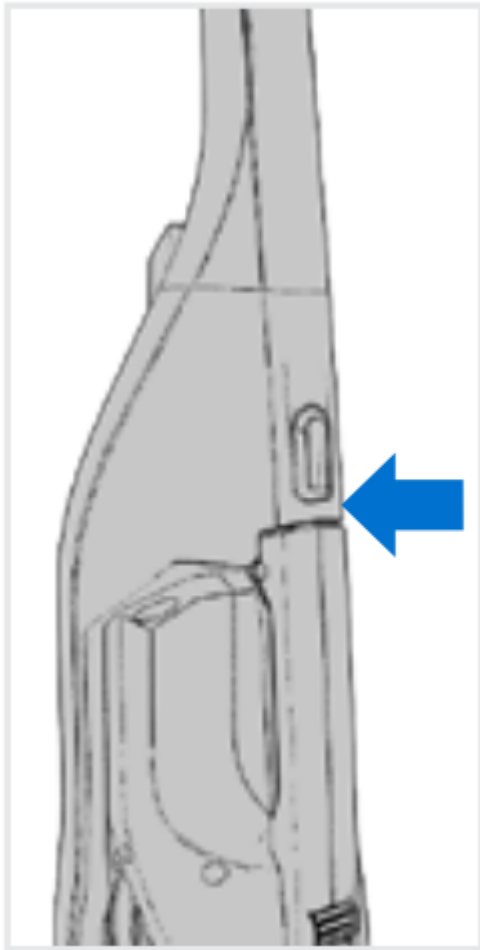
2. Place the Crevice Tool Holder here and secure with the screw. Insert the Crevice Tool into the holder.



3. Pivot battery in the Hand Vac and click it into place. Battery does not come fully charged.



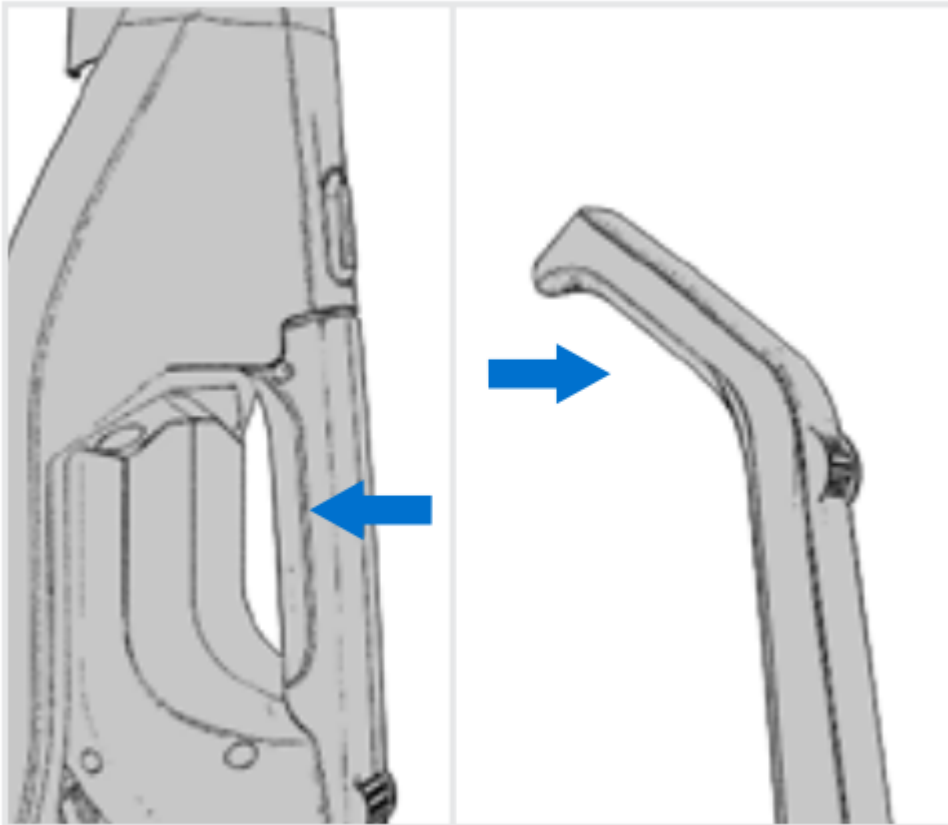
4. Set the Hand Vac nozzle here and pivot into place. It will click.



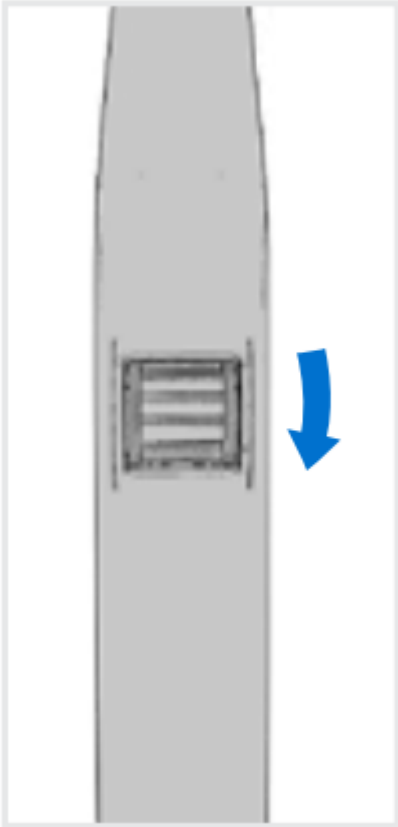
5. Press this button and pivot hand vac forward to remove.

NOTE: Battery will be accessible from the back of the Stick Vac when the Hand Vac is in place. To check your charge level while cleaning, press the blue button on the bottom of the battery

## Using your Air™ Cordless 2-in-1



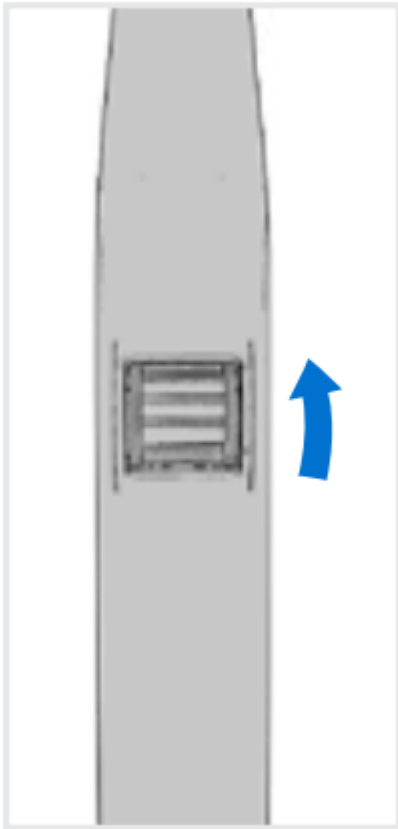
It's easiest to carry here or here.



1. Roll the power switch once for Hard Floor Mode. Roll it again to activate the brush roll for Carpet Mode.



2. Step here and pull the handle back to recline.



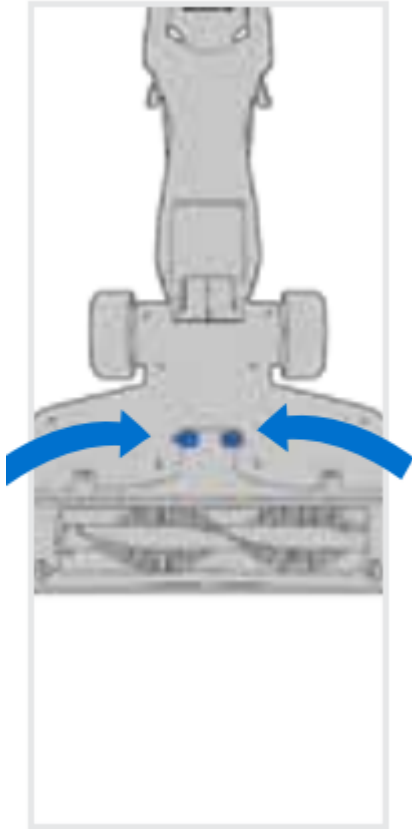
3. For optimal cleaning, keep the brush roll rotating for all surfaces. For delicate, highly polished floors, roll the power switch back to turn the brush roll off for Hard Floor Mode.

## Keep your Air™ Cordless 2-in-1 running properly:

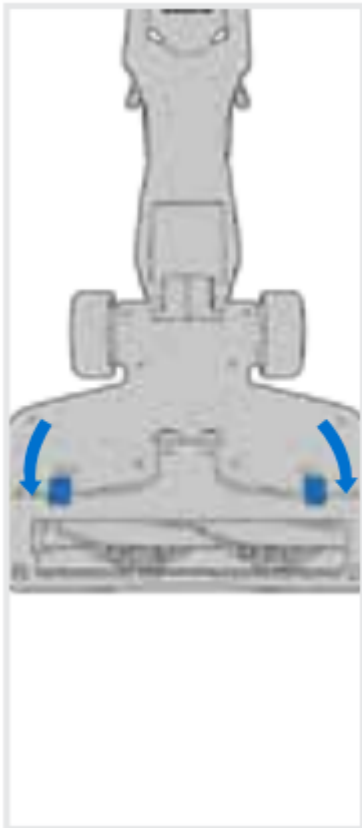
### Brush Roll



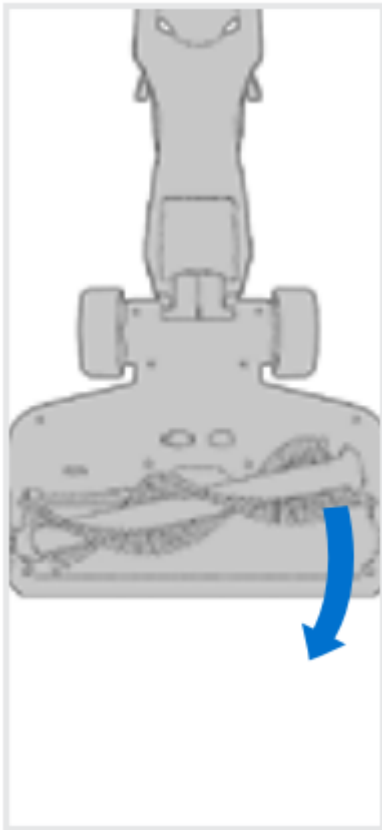
1. Lower the handle and flip over.



2. Push plate locks towards each other.



3. Push tabs towards the brush roll and lift up.

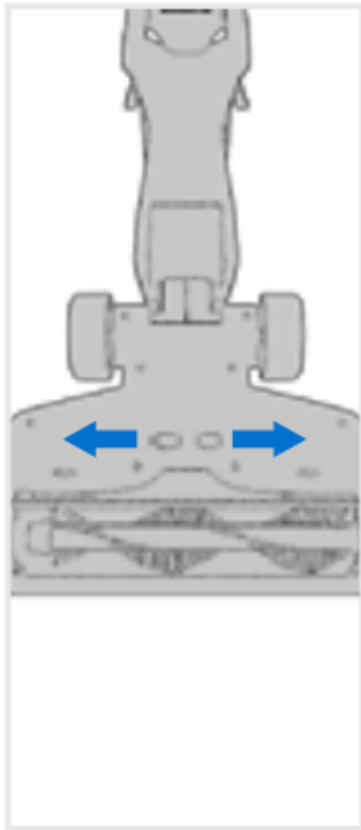


4. Pull the brush roll out from this end.



5. Replace clean brush roll into belt. Ensure brush roll ends are aligned in their slots.





6. Reinsert the plate then push the plate locks back out.

**WARNING:** Risk of personal injury: brush roll may suddenly restart if battery is in place. Turn power switch off and remove battery before cleaning or servicing.

**LUBRICATION:** The motor and brush roll are equipped with bearings which contain sufficient lubrication for their lifetime. The addition of lubricant could cause damage. Do not add lubricate to motor or brush roll.

## Troubleshooting

**WARNING:** To reduce the risk of personal injury, remove battery before cleaning or servicing.

1. My Air™ Cordless 2-in-1 won't turn on.

Your battery may not be charged. Check the Charge Level Indicator and charge the battery if it's low. Reference the chart below to find the charge time for your model.\* The LithiumLife™ battery does not come fully charged.

Battery Model	LithiumLife™ Battery	Charger Model	Charge Time (approximate)
BH03100	LithiumLife™	BH03220	9 hours
BH03120	LithiumLife™ Extended Runtime		18 hours
BH03100	LithiumLife™	BH03200	1.5 hours
BH03120	LithiumLife™ Extended Runtime		3 hours

2. My Air™ Cordless 2-in-1 isn't picking up well.

- You may have a clogged filter. Your filter should be rinsed every 4-6 uses. Push the dirt cup release button and remove the filter. Rinse with clear warm water for two minutes. Let it dry for 24 hours before reinstalling it.

3. If your filter was dirty...

- You may also have a clog in the system. Turn the top of the hose counter-clockwise to unhook, and stretch the hose down to search for a clog. If found, remove the clog

4. My Air™ Cordless 2-in-1 picks up well on hard floors, but not on carpet.

- When you're vacuuming, look to see if the brush roll is spinning. You should hear it. If you don't, roll the power switch forward past ON to turn on the brush roll.

5. If your brush roll is not turning on...

- The Motor Protection Sensor may have been activated by an obstruction. Remove the battery, then find and remove the obstruction. Wait a few minutes (usually about 2-5, but can take up to 30) for the unit to reset itself, replace the battery and turn on.
- Any other servicing should be done by an authorized service representative. If appliance is not working as it should, has been dropped, damaged, left outdoors, or dropped into water, take it to a service center prior to continuing use.

## IMPORTANT SAFETY INSTRUCTIONS

When using an electrical appliance, basic precautions should always be followed, including the following:

READ ALL INSTRUCTIONS BEFORE USING THIS APPLIANCE. THIS PRODUCT IS INTENDED FOR HOUSEHOLD USE ONLY. IF USED COMMERCIALY WARRANTY IS VOID.

**WARNING: TO REDUCE THE RISK OF FIRE, ELECTRIC SHOCK, DAMAGE OR INJURY:**

- Fully assemble before operating.
- Do not use appliance on wet surfaces. Do not expose appliances to rain. Store appliances indoors.
- The charger is for indoor use only. Be sure to always keep the battery and charger indoors in a dry place.
- Do not allow to be used as a toy. Not intended for use by children age 12 and under. Close supervision is necessary when used near children. To avoid injury or damage, keep children away from product, and do not allow children to place fingers or other objects into any openings.
- Use only as described in this manual. Use only Hoover® recommended attachments and products.
- Do not use charger with damaged cord or plug. If appliance or charger is not working as it should, has been dropped, damaged, left outdoors, or dropped into water, take it to a service center prior to continuing use.
- Do not pull or carry charger by cord, use cord as a handle, close a door on cord, or pull cord around sharp edges or corners. Do not place product on cord. Do not run appliance over cord. Keep cord away from heated surfaces.
- Do not unplug charger by pulling on cord. To unplug charger, grasp the plug, not the cord.
- Do not handle charger including charger plug and charger terminals, or appliance with wet hands.
- Do not put any object into openings. Do not use with any opening blocked; keep free of dust, lint, hair, and anything that may reduce air flow.
- Keep hair, loose clothing, fingers, and all parts of body away from openings and moving parts.
- Use extra care when cleaning on stairs. To avoid personal injury or damage, and to prevent the cleaner from falling, always place cleaner at bottom of stairs on floor. Do not place cleaner on stairs or furniture, as it may result in injury or damage.
- Do not use to pick up flammable or combustible liquids, such as gasoline, or fine wood shavings, or use in areas where they may be present.
- Do not pick up anything that is burning or smoking, such as cigarettes, matches, or hot ashes.
- Do not use without Dirt Cup and/or Filters in place.
- Turn power switch off and remove battery before removing or installing brush roll.
- Always turn off this appliance before connecting or disconnecting Motorized Turbo Tool or tools.

- Do not incinerate the charger, battery, or appliance even if it is severely damaged. The batteries can explode in a fire.
- This product includes rechargeable lithium-ion batteries. Do not expose batteries to high temperatures, as they may catch fire and/or explode.
- Do not expose battery to crushing, incineration or similar actions.
- Do not dispose of battery in a fire or trash compactor. See battery disposal section for directions.
- Do not attempt to disassemble battery.
- Unplug the charger from the outlet before any routine cleaning or maintenance.
- Leaks from battery cells can occur under extreme conditions. If any liquid gets on the skin wash quickly with soap and water. If any liquid gets into the eyes, do not rub eyes, immediately flush them with clean water continuously for a minimum of 15 minutes. Seek medical attention immediately.
- Use only the charger (Hoover Part #BH03220 or BH03200) supplied by Hoover to recharge.
- Use only the battery (Hoover Part #BH03100 or BH03120) supplied by Hoover. Other batteries may burst causing serious personal injury or damage.
- Do not touch or insert objects into battery pack or charger terminals.
- Do not attempt to short circuit the battery or charger terminals.

WARNING: This product contains chemicals known to the State of California to cause cancer, birth defects or reproductive harm. WASH HANDS AFTER HANDLING.

WARNING: TO REDUCE THE RISK OF ELECTRIC SHOCK, THE CHARGER HAS A POLARIZED PLUG (ONE BLADE IS WIDER THAN THE OTHER). THIS PLUG WILL FIT IN A POLARIZED OUTLET ONLY ONE WAY. IF THE PLUG DOES NOT FIT FULLY IN THE OUTLET, REVERSE THE PLUG. IF IT STILL DOES NOT FIT, CONTACT A QUALIFIED ELECTRICIAN TO INSTALL THE PROPER OUTLET. DO NOT CHANGE THE PLUG IN ANY WAY.

CAUTION: TO REDUCE THE RISK OF DAMAGE:

- Avoid picking up hard, sharp objects with this product, as they may cause damage.
- Store appropriately indoors in a dry place. Do not expose machine to freezing temperatures. This product includes rechargeable lithium-ion batteries. Do not expose batteries to high temperatures, as they may catch fire and/or explode.
- Do not use sharp objects to clean out hose as they can cause damage.
- With brush roll on, do not allow cleaner to sit in one location for an extended period of time, as damage to floor can result.

## BATTERY DISPOSAL

WARNING: RISK OF EXPLOSION OR EXPOSURE TO TOXIC MATERIAL

CAUTION: The battery used in this device may present a risk of fire or chemical burn if mistreated. Do not disassemble, heat above manufacturer's maximum temperature limit (60°C/ 140°F), or incinerate. Replace battery with Hoover battery Part #BH03100 or BH03120 only. Use of another battery may present a risk of fire or explosion. Dispose of used battery promptly. Keep away from children. Do not disassemble and do not dispose of in a fire. The battery and charger have no user serviceable parts. Do not attempt to disassemble the battery or remove any component projecting from the battery terminals. Fire or injury may result. Prior to disposal, protect exposed terminals with heavy insulating tape to prevent shorting.

## LITHIUM-ION BATTERIES

The battery must be collected, recycled or disposed of in an environmentally sound manner. The EPA certified RBRC Battery Recycling Seal on the lithium-ion (Li-ion) battery indicated Techtronic Industries, a corporate affiliate of Hoover, Inc., is voluntarily participating in an industry program to collect and recycle these batteries at the end of their useful life, when taken out of service in the United States or Canada. The RBRC program provides a convenient alternative to placing used Li-ion batteries into the trash or the municipal waste stream, which may be illegal in your area. Please visit [www.rbrc.org/call2recycle/](http://www.rbrc.org/call2recycle/) for information on Li-ion battery recycling and disposal bans/restrictions in your area. Hoover, Inc., involvement in this program is part of our commitment to preserving our environment and conserving our natural resources.

### Warning

This content is compiled from multiple sources and is provided for reference purposes only. It may not be complete or fully applicable to all situations. If you are unable to resolve your issue, please contact the product manufacturer or an authorized service provider for official support.