


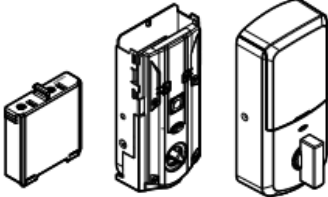













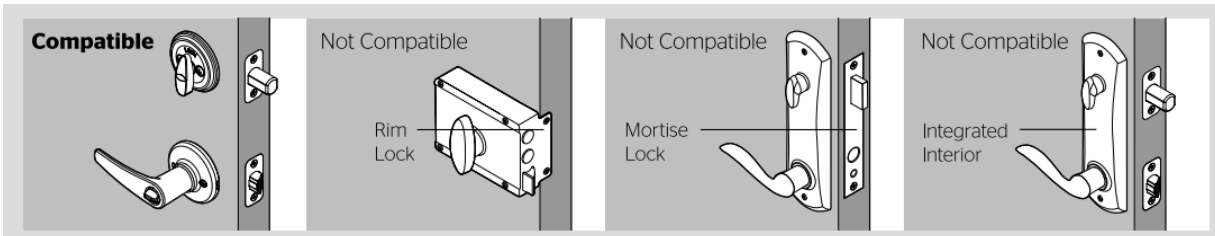
Parts List

Mounting Plate 	Adapter Ring 	Exterior Assembly 	Interior Assembly 	
Batteries 	Keys 		Latch A 	For Latch / Strike Strike 
Latch B  <p>"B" is not included. If needed, please contact Kwikset to order a drive-in latch for your lock.</p>	03809 	48654 	46780 	49191 
			64109 	68611 

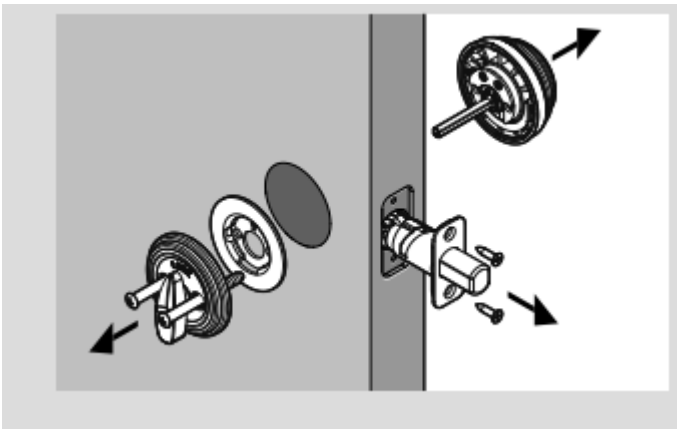
1. Prepare the door and check dimensions

If drilling a new door, use the supplied template and the complete door drilling Instructions available at kwikset.com/doorprep

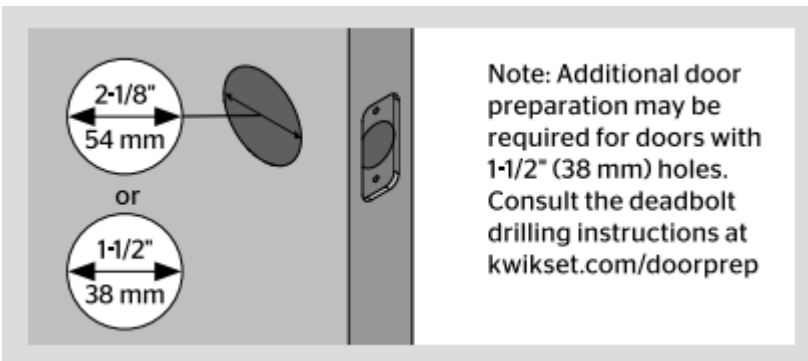
A. Make sure your door is compatible. If you have a standard deadbolt mounted separately from the handle below it, your door is compatible.



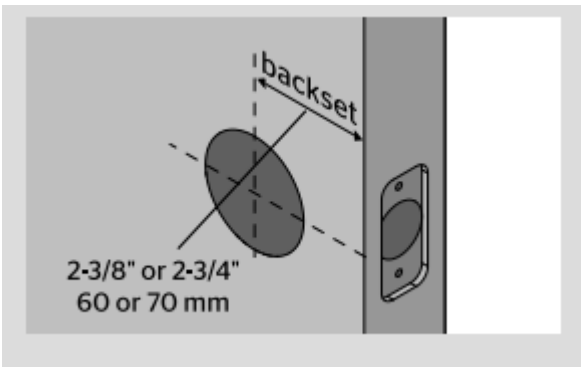
B. Remove your existing deadbolt from your door.



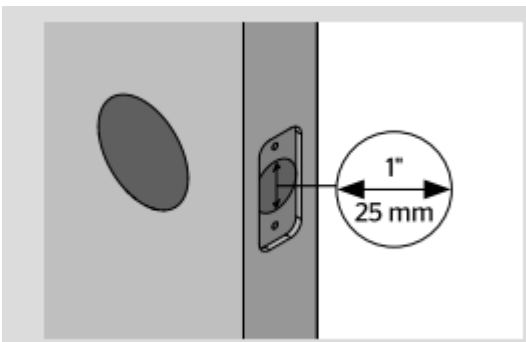
C. Measure to confirm that the hole in the door is either 2-1/8" (54 mm) or 1-1/2" (38 mm).



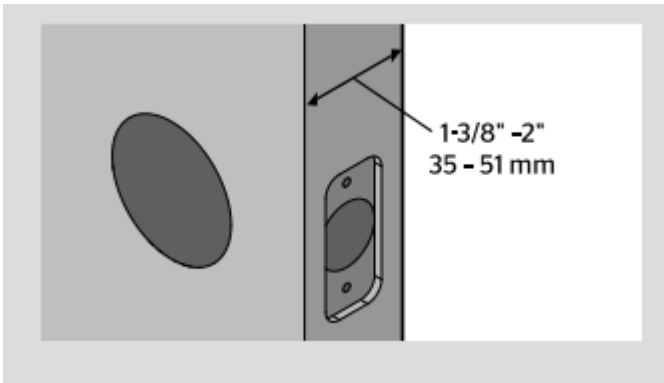
D. Measure to confirm that the backset is either 2-3/8" or 2-3/4" (60 or 70 mm).



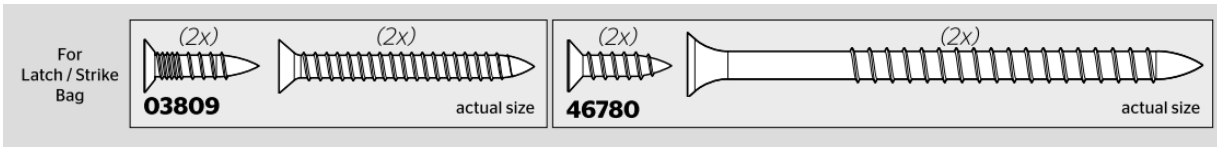
E. Measure to confirm that the hole in the door edge is 1" (25 mm).



F. Measure to confirm that the door is between 1-3/8" and 2" (35 mm and 51 mm) thick.

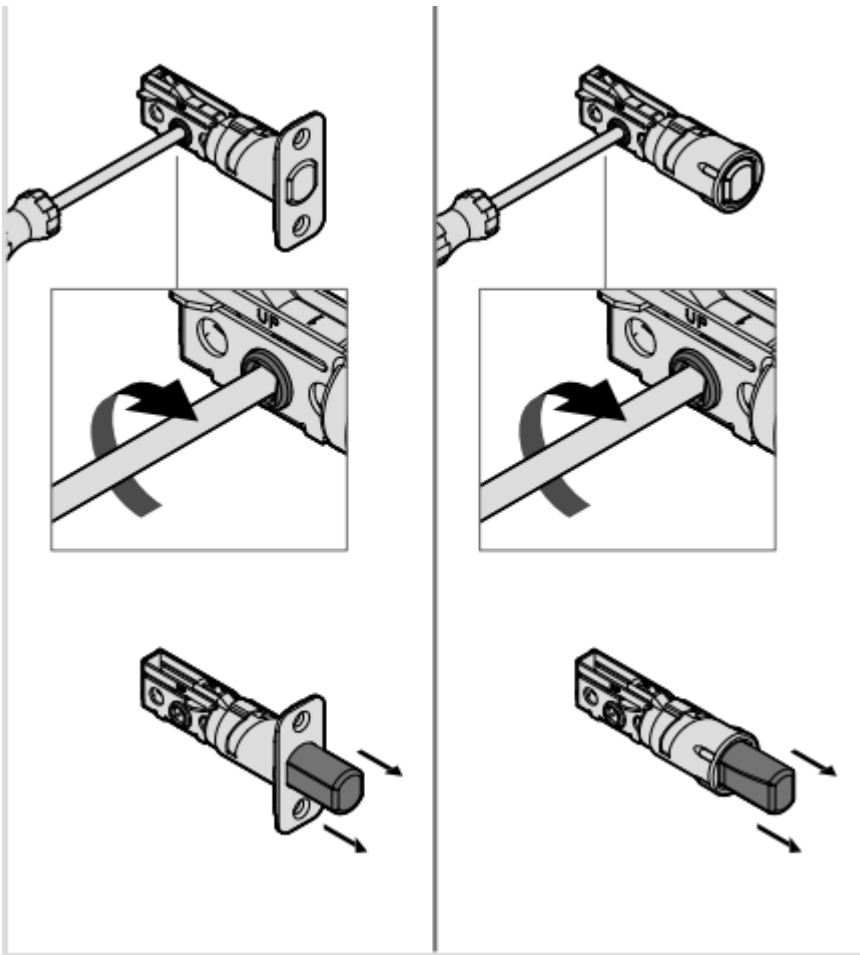


2. Install the latch and strike

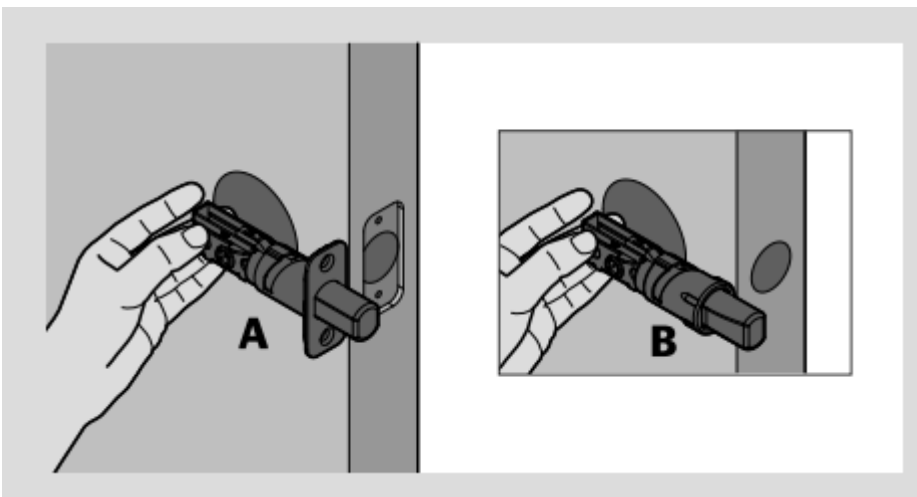


A. Is the door edge chiseled?

YES	or	NO
<p>Use latch "A". If the latch bolt is not already extended, extend the latch bolt as shown.</p>		<p>Use latch "B" (not included). If the latch bolt is not already extended, extend the latch bolt as shown.</p>

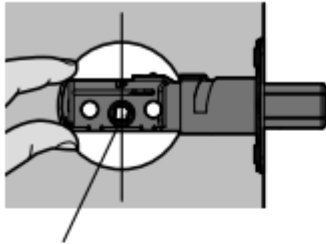


B. Hold the latch in front of the door hole, with the latch face flush against the door edge.



C. Is the D-shaped hole centered in the door hole?

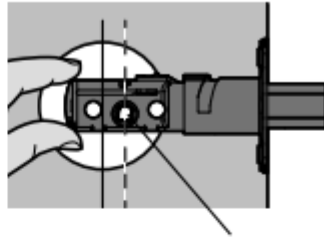
YES



D-shaped hole

or

NO

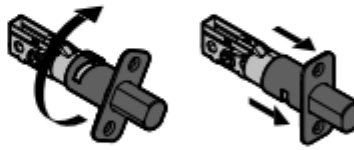


D-shaped hole

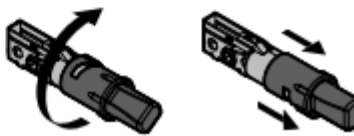
No adjustment is required.
Proceed to next step.

Rotate latch face as
shown to extend latch.

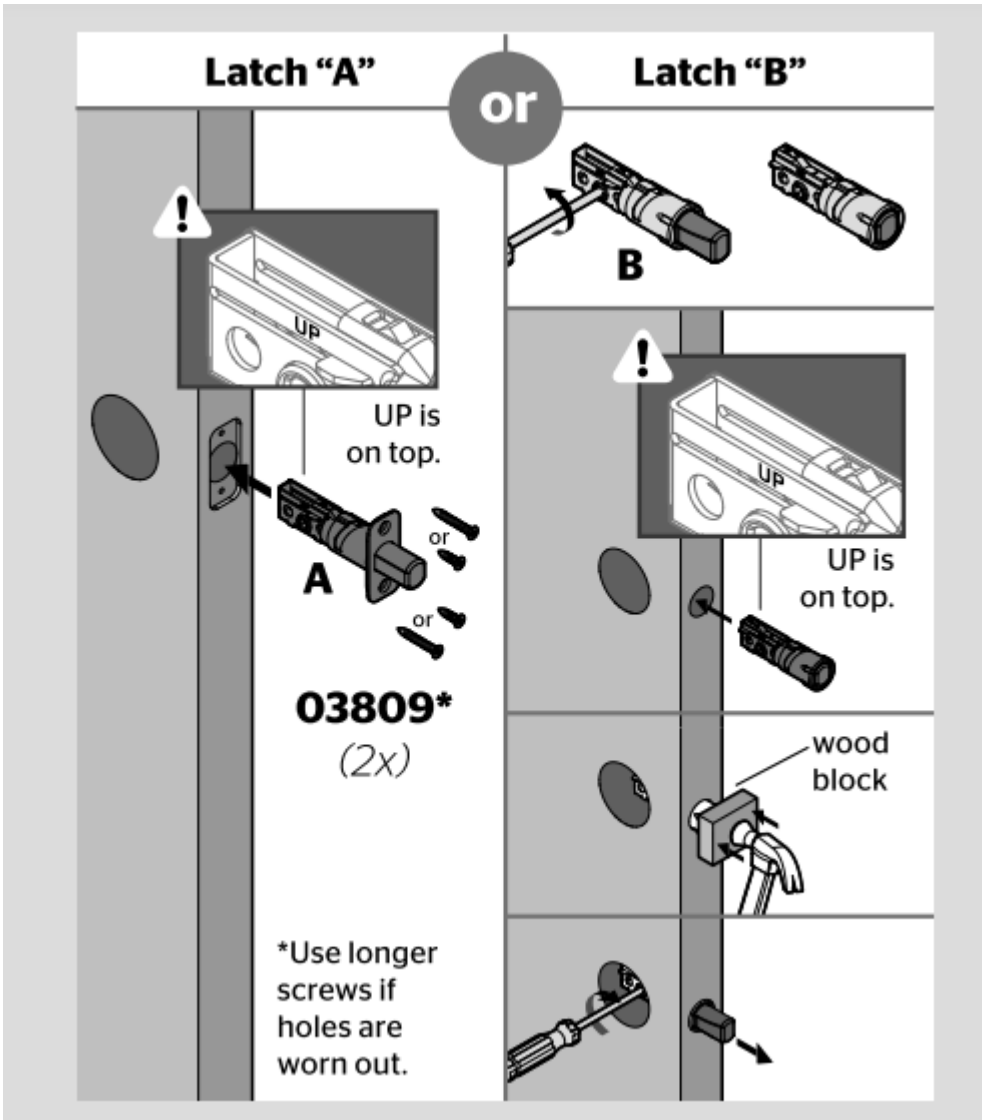
A



B

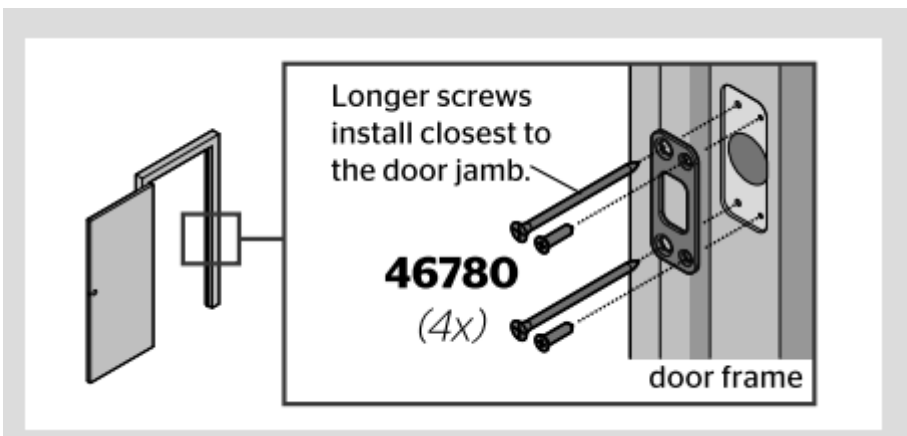


D. Which latch are you installing?



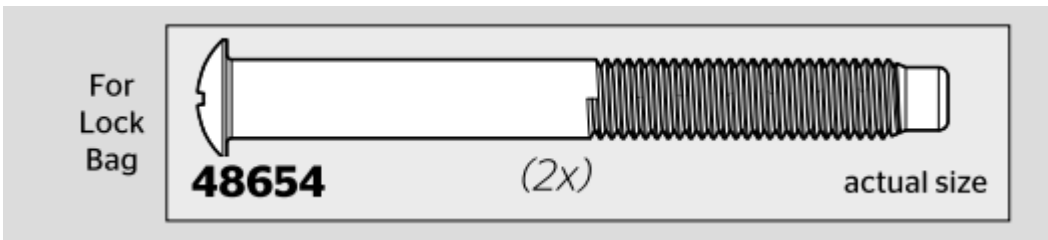
E. Install the strike on the door frame.

Make sure the hole in the door frame is drilled a minimum of 1" (25 mm) deep.



3. Install the exterior keypad





A. What is the diameter of the hole in the door?

Diameter is 2-1/8" (54 mm)

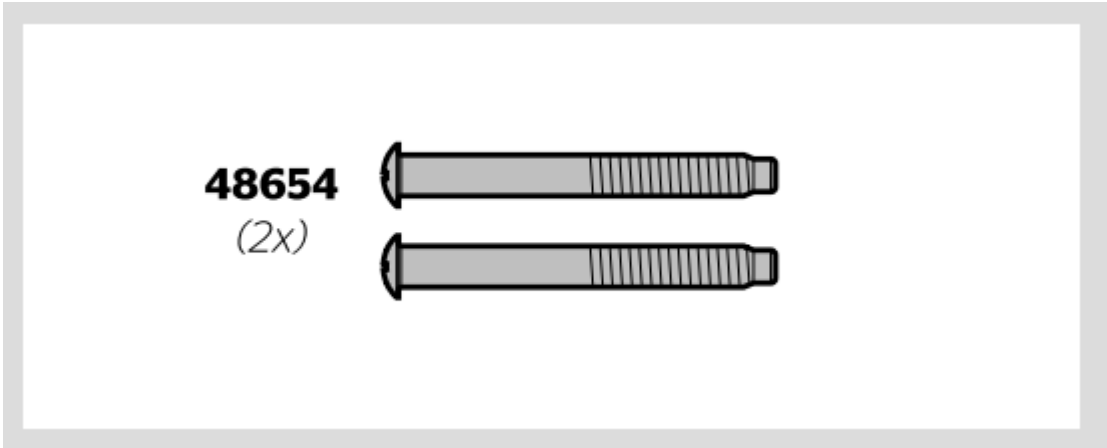
Adapter Ring is required for installation. Install on Exterior Assembly.

or

Diameter is 1-1/2" (38 mm)

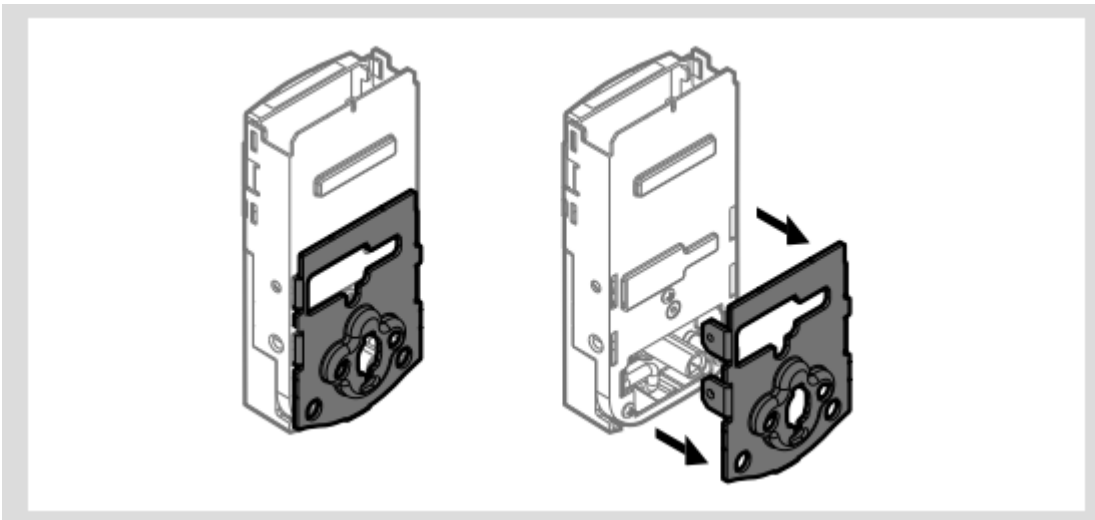
Adapter Ring is not needed for installation and may be discarded.

B. Locate the screws for step 3D and keep them within reach.

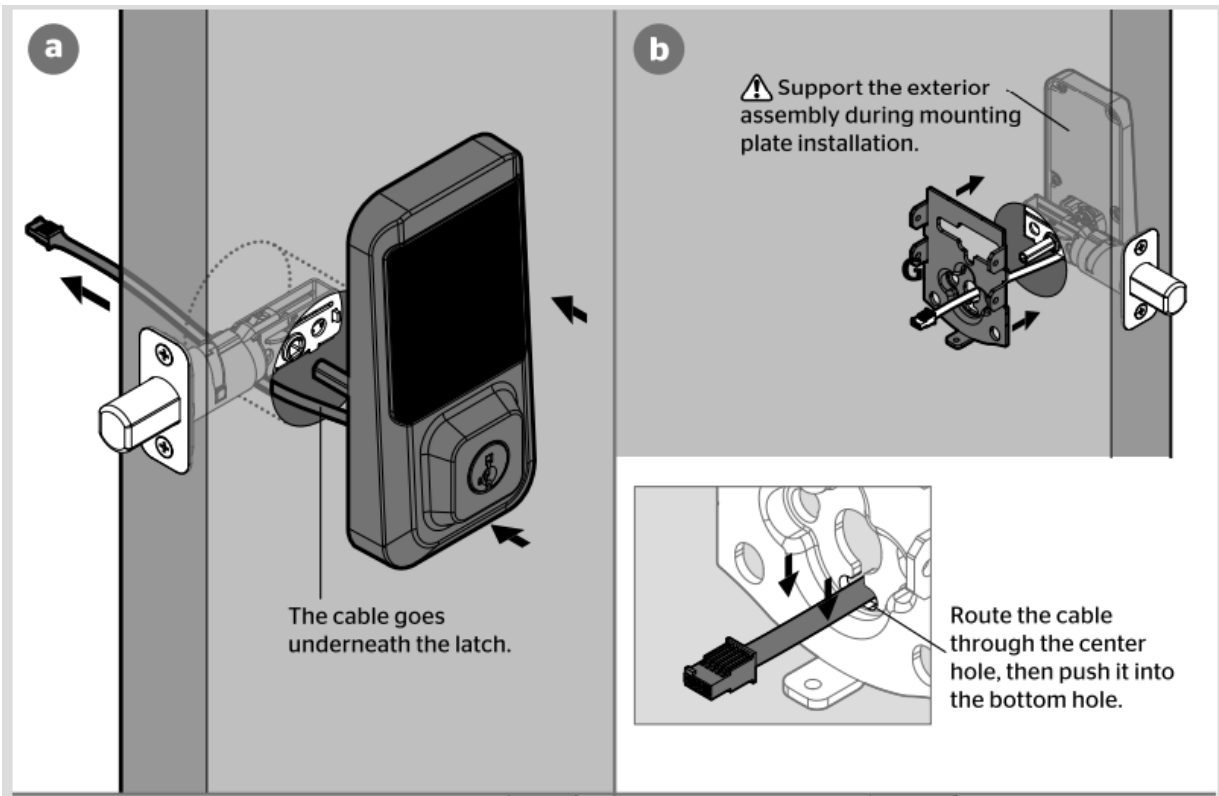


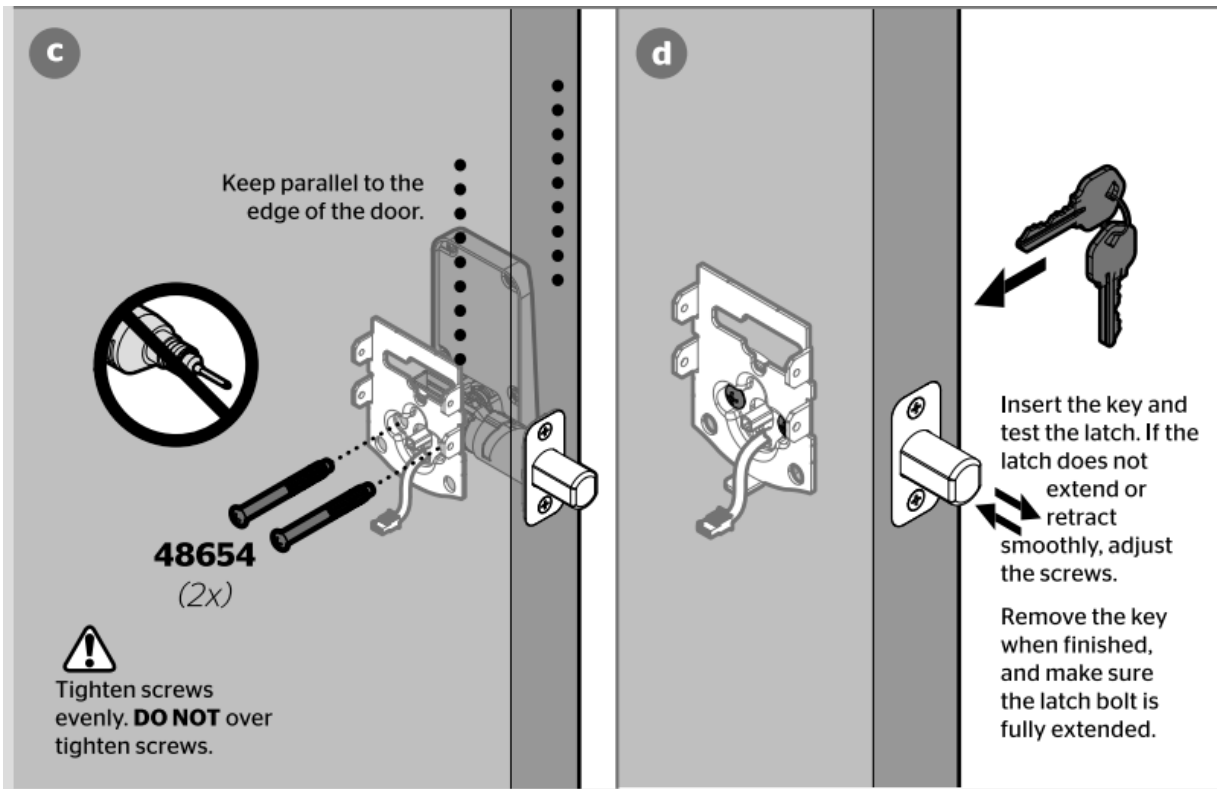
C. Remove the mounting plate from the interior assembly.



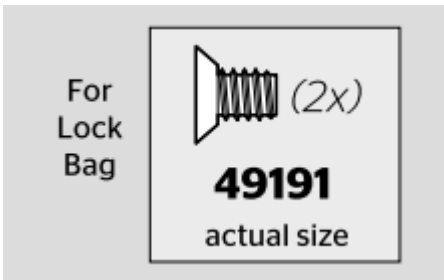


D. Install the exterior keypad and mounting plate.





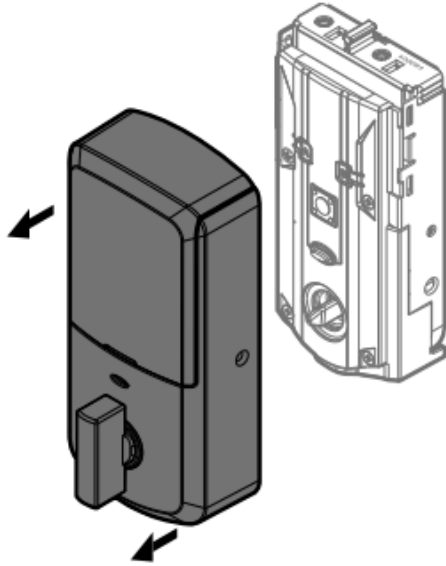
4. Install the interior assembly



A. Ensure the turnpiece shaft is pointing up, and remove the interior cover and battery pack from the interior assembly.

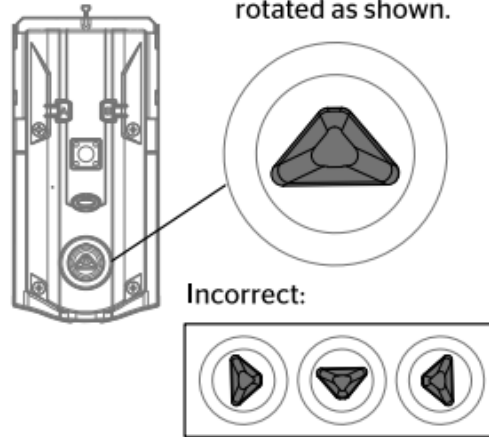
a

Remove the interior cover from the interior assembly.



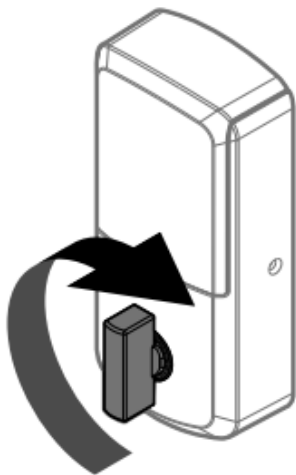
b

Make sure turn piece shaft is rotated as shown.



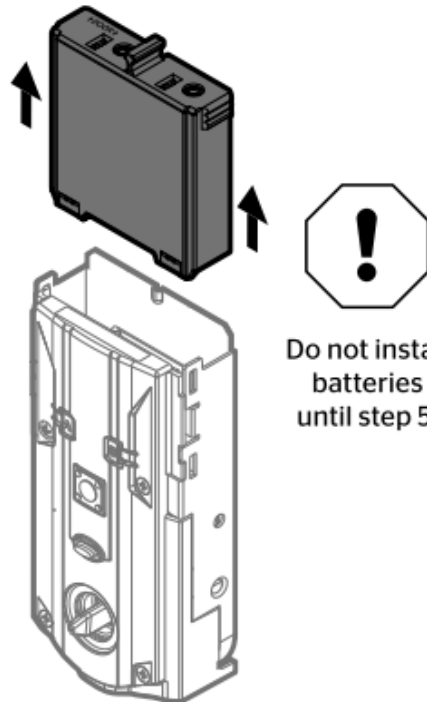
If turnpiece shaft is not oriented correctly, put the cover back on and rotate the turnpiece as shown in step C.

c



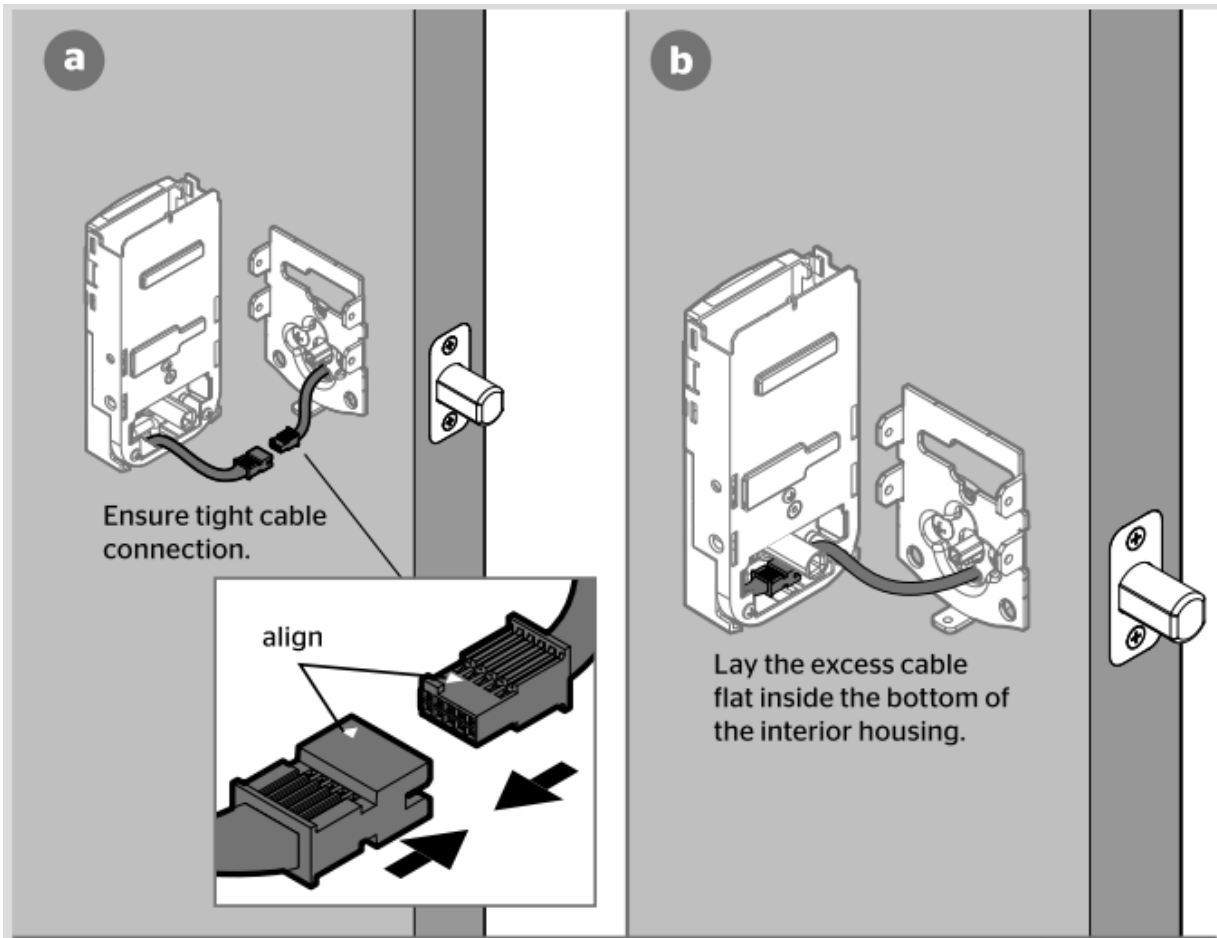
If the turnpiece shaft is pointing down, place the cover back onto the interior assembly and rotate the turnpiece until you hear it click. You may need to apply some force. Once the turnpiece shaft is correctly oriented, remove the cover again.

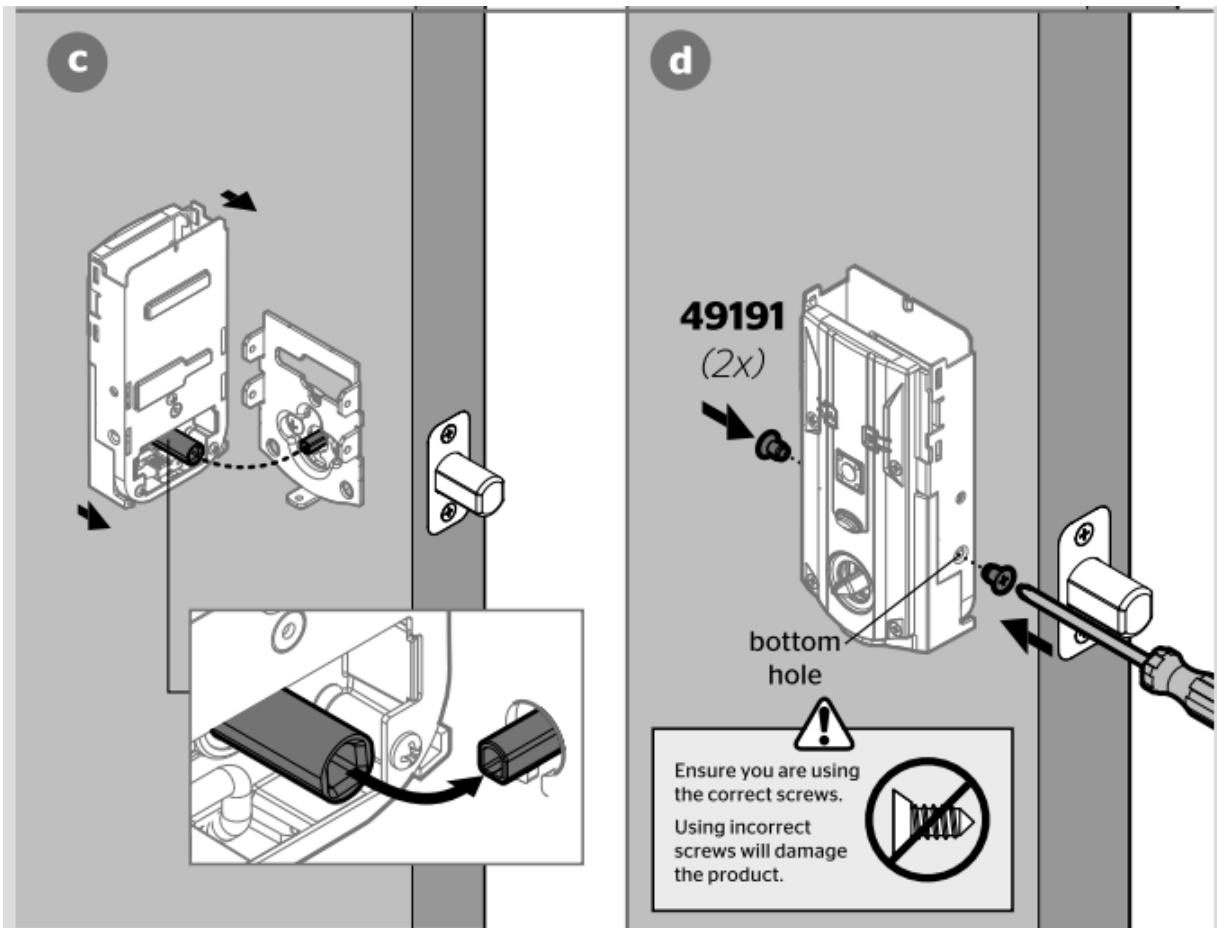
d



Do not install batteries until step 5.

B. Install the interior assembly onto the mounting plate.



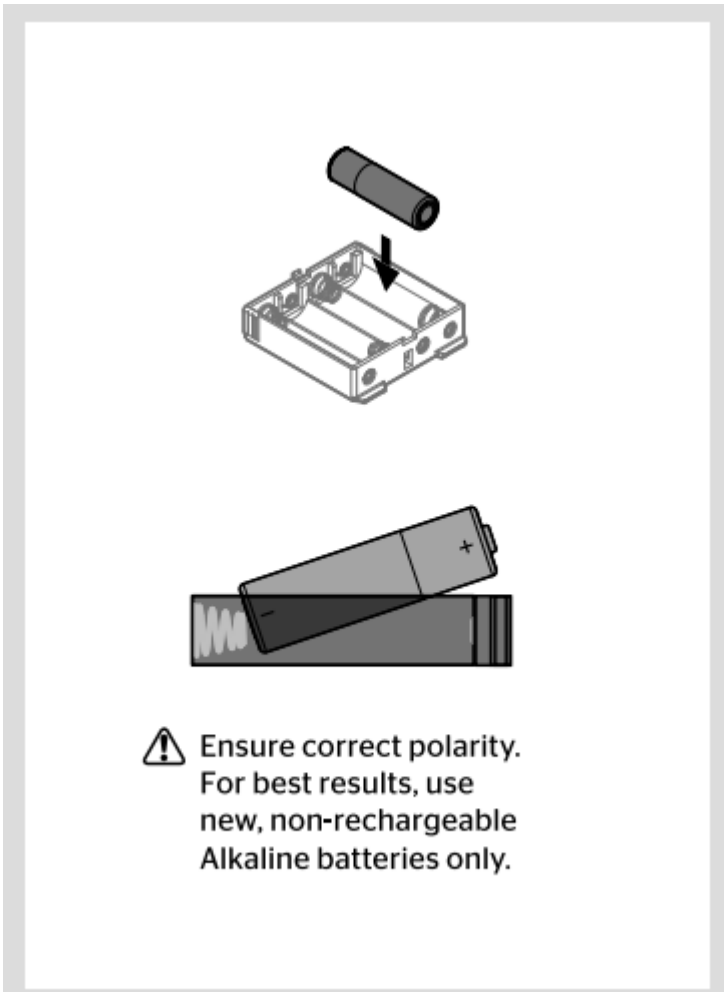


5. Install the batteries and perform the door handing process

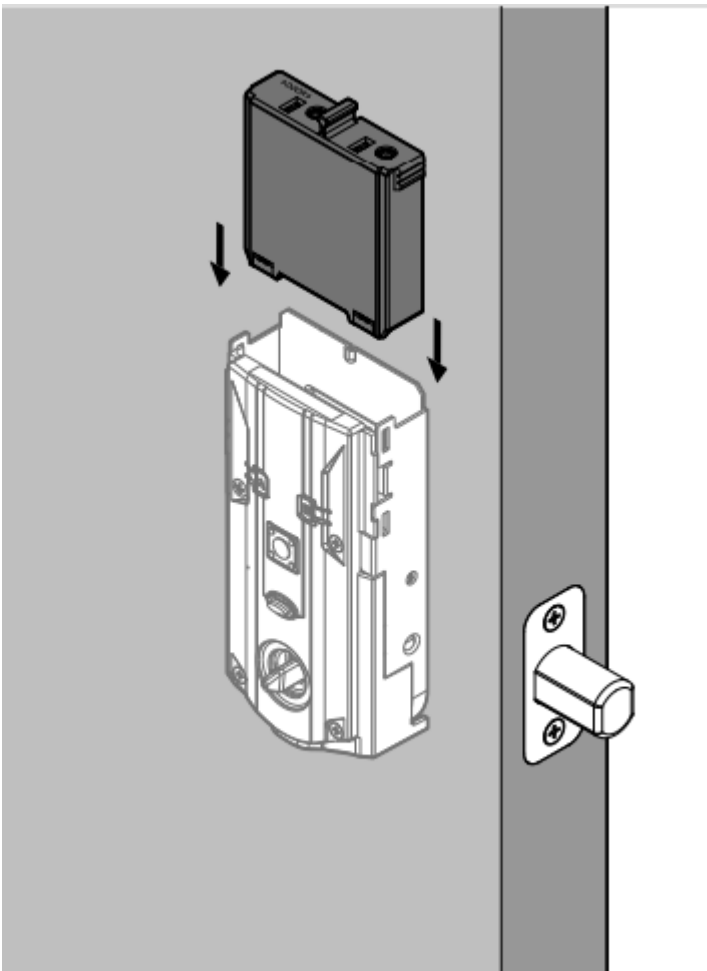
This step will teach your lock the orientation of your door and is crucial to lock operation.

A. Install 4 AA batteries in the battery pack

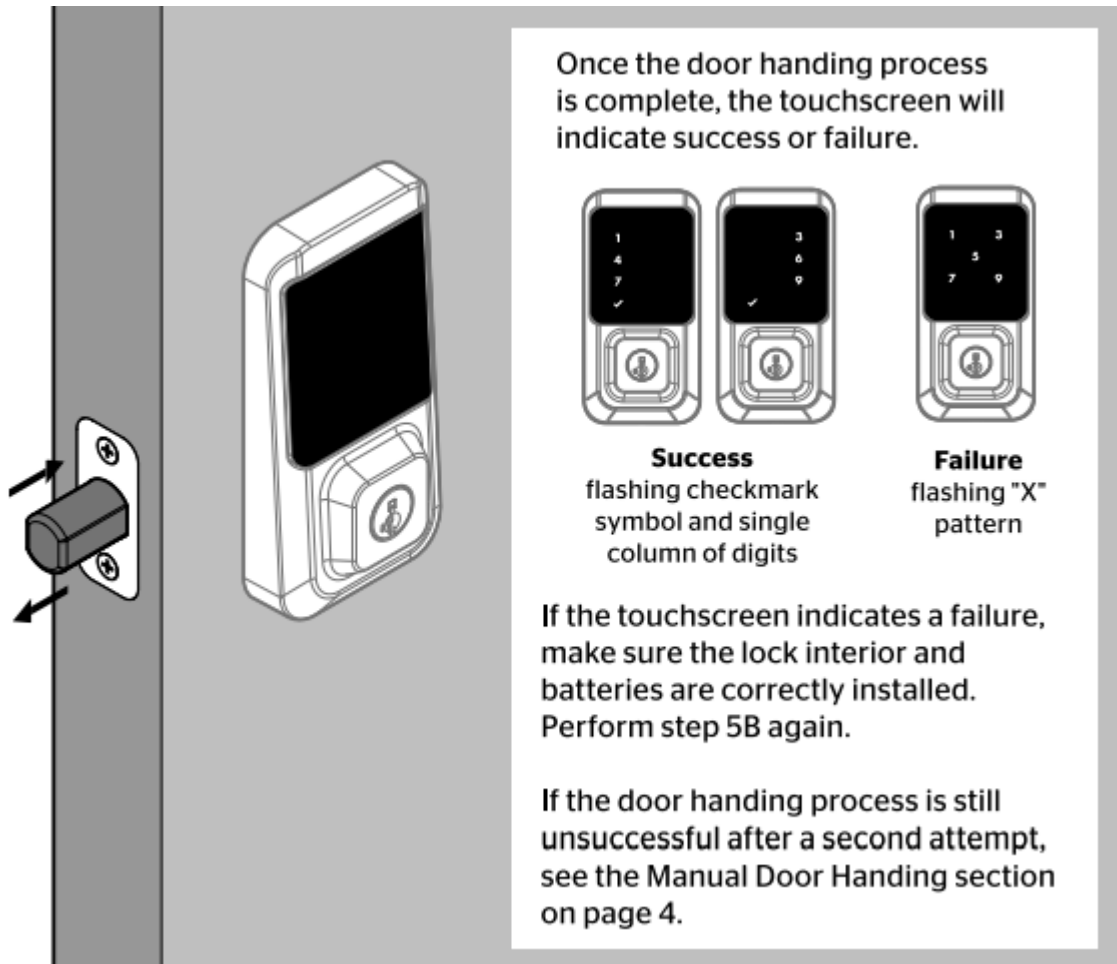




B. With the door open, install the battery pack to initiate auto-handing.

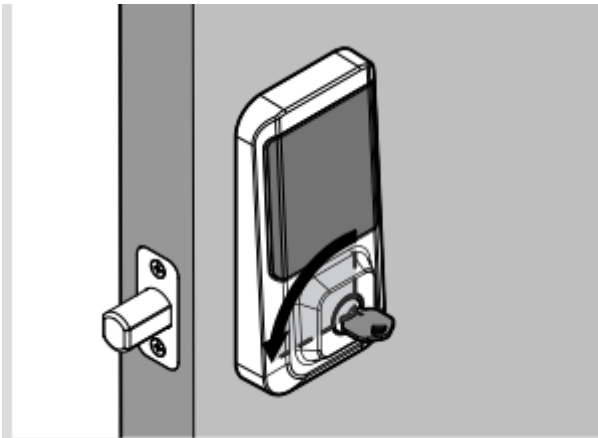


C. After a few seconds, the latch bolt will retract and extend on its own to learn the orientation of the door. This is called the door handing process, and it is crucial to lock operation.

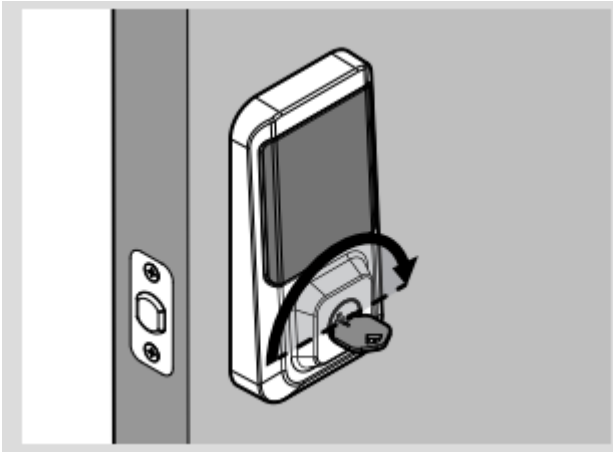


6. Test the lock and check door alignment

A. With the door open, insert the key to extend the latch. Ensure that the latch extends smoothly.



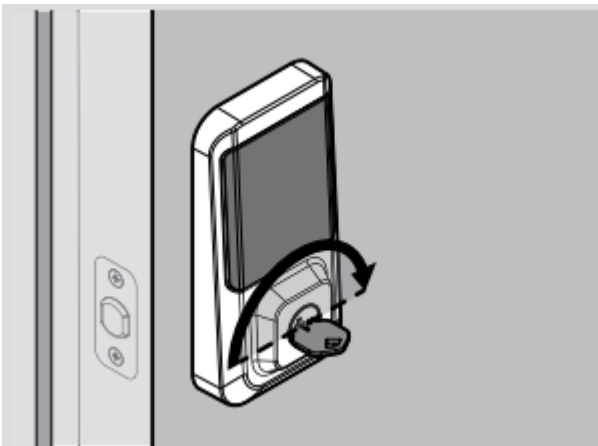
B. Turn the key 180° to retract the latch. Ensure that the latch retracts smoothly.



C. Close the door. Insert and rotate the key to lock the door. Ensure that the door locks smoothly.



D. Turn the key 180° to retract the latch. Ensure that the door unlocks smoothly.

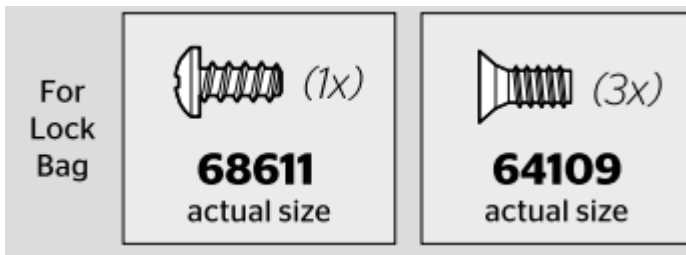


If your door does not lock and unlock smoothly, make sure you replaced your previous latch and strike with those supplied in the box.

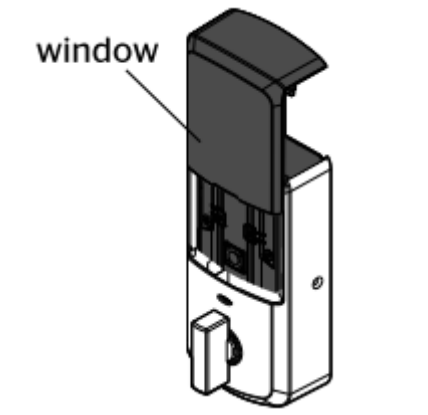
If you still experience locking errors, call Kwikset Support to order a Warped Door Service Kit.

7. Install the interior cover

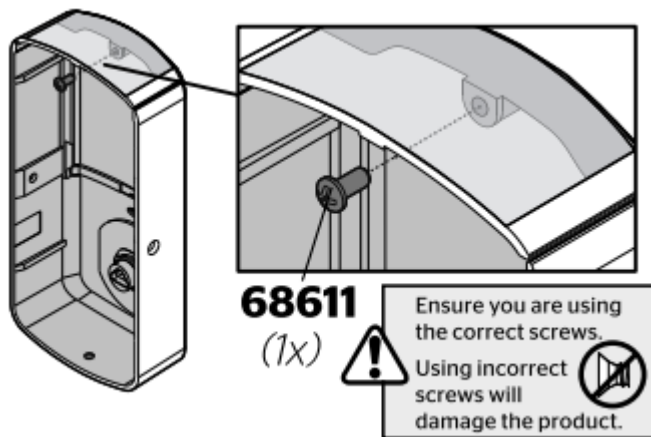
Important Information about the interior cover



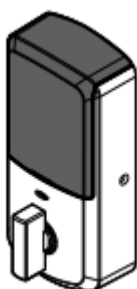
The window on the interior cover is unlocked by default for easier access to the battery pack and buttons.



For additional security, you may choose to lock the window by installing the security screw.



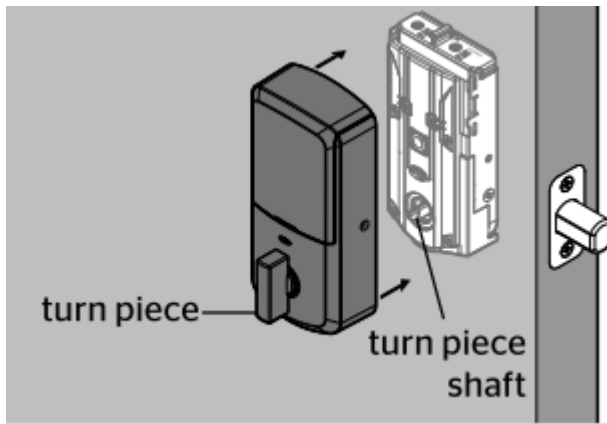
When the window is locked, you will need to remove the entire interior cover and screws to access the battery pack and buttons.



Cover Installation

a. Install cover.

Note: You may need to rotate the turn piece to align with the turn piece shaft.

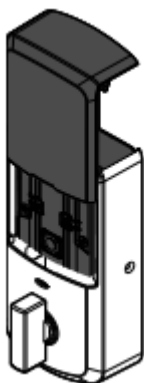


b. Install screws.

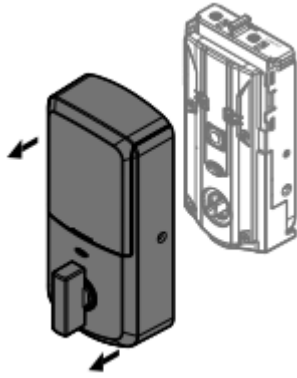


Battery Pack Access

If the window is unlocked, slide up the window to access the battery pack.



If the window is locked, remove the interior cover and screws to access the battery pack.



8. Download the app and create an account

The Kwikset app is needed to use this lock. If this lock was professionally installed (or installed by someone other than the homeowner), make sure this step is performed by the homeowner.

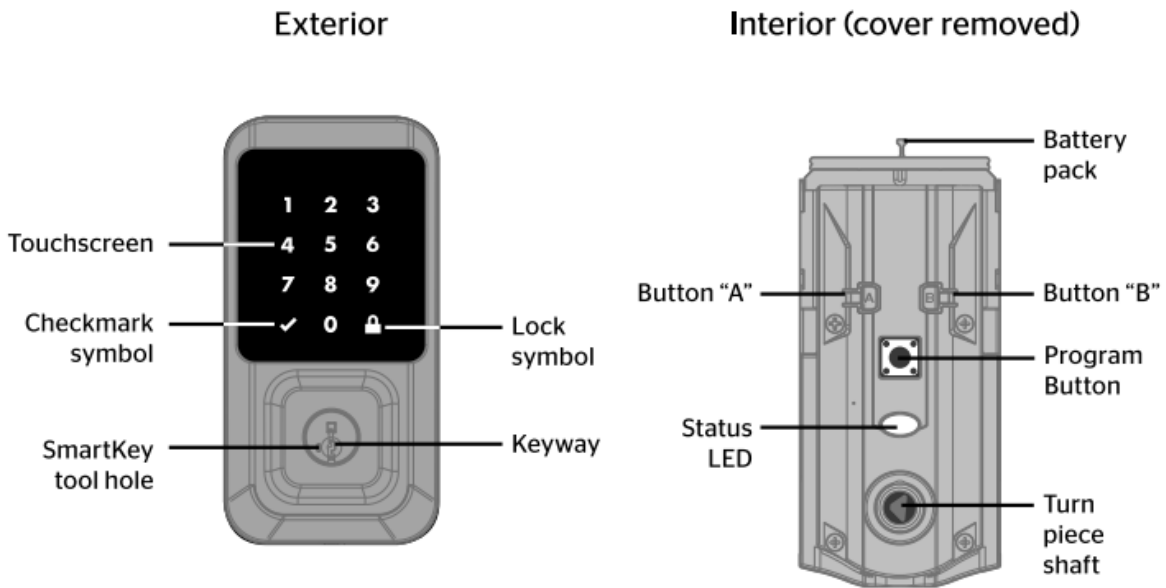
A. Download the Kwikset app by scanning the QR code or visiting www.kwikset.com/app on your smartphone.



Create your account and follow the setup instructions in the Kwikset app.

Reference Guide

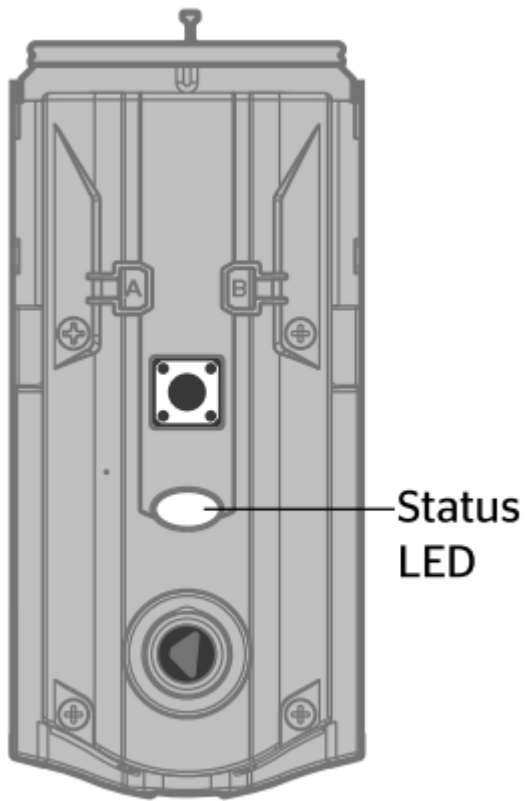
SmartCode at a Glance



Status LED colors

These features can be adjusted in some smart home apps.







Color	Lock Status
Green (solid)	Action successful
Green (blinking)	Unlocked
Red (solid)	Door handing process unsuccessful
Red (blinking)	Action unsuccessful or incomplete
	Low battery
Blue (solid)	Bluetooth Pairing successful
Blue (blinking)	Bluetooth Pairing Mode
Amber (solid)	Entering Network Reset mode
Amber (blinking)	Network or System Reset mode. Action required.
	Locked



System Alerts

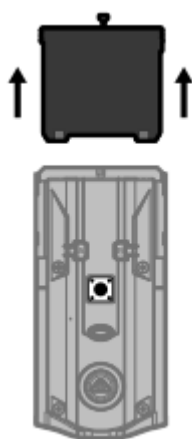
Display	Alert	Reason	Solution
	"X" pattern flashes once with one beep*.	One incorrect code entered.	Re-enter code.
	"X" pattern flashes three times with three beeps*.	No user code programmed.	Program at least one user code.
	"X" pattern flashes red 15 times with 15 beeps*	Three incorrect codes entered.	Re-enter code after 60 second keypad lockout.
	Checkmark and lock symbols flash simultaneously five times with five beeps*.	Low battery.	Replace batteries.
	Checkmark and lock symbols alternate flashing five times with five beeps*.	Door jammed while attempting to lock.	Manually re-lock door. If needed, reposition strike.
N/A	Lock beeps continuously.	Interior assembly is disconnected from exterior.	Remove battery pack, reconnect the interior to the exterior, then reinstall battery pack.

*Beeping sounds will only be heard if Lock Sounds have not been disabled in the app.

Manual Door Handing

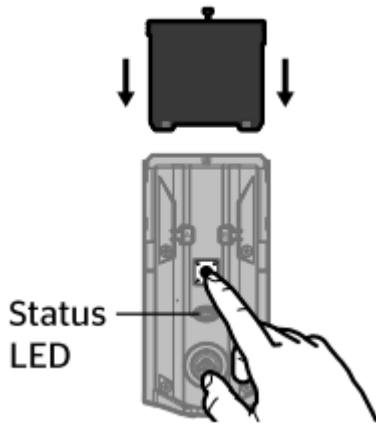
If needed, the door handing process can be initiated manually. This is useful if the lock is being moved to a different door.

1. Remove battery pack.



2. Press and HOLD the Program button while reinserting the battery pack. Release the Program button after 3 seconds.

The status LED will flash red and green.



3. Press the Program button once more.



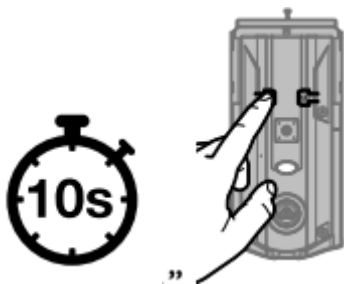
4. The latch bolt will extend and retract to learn the orientation of the door. The LED will flash green if handing is successful or red if handing is unsuccessful.

Network Reset

Network Reset will delete all Wi-Fi settings, Bluetooth pairings, user associations, and remove the lock from the account.

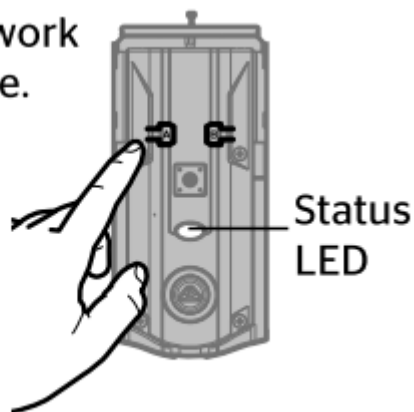
1. Press and HOLD "A" for 10 seconds. You will hear 1 short beep and see an amber LED.

Note: After 3 seconds, you will hear 1 short beep and see a blue LED. You should continue to hold "A" to enter network reset mode.

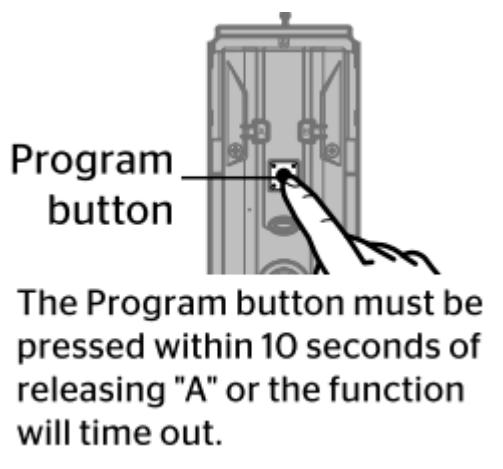


2. Release "A." You will see a blinking amber LED to indicate it is in network reset mode.

it is in network reset mode.



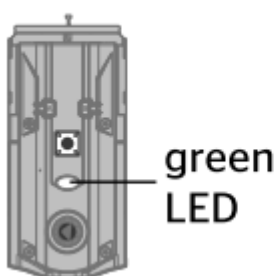
3. Press and release the Program button to confirm network reset.



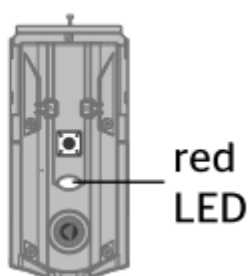
The Program button must be pressed within 10 seconds of releasing "A" or the function will time out.

4. If successful, you will hear 1 long beep and see a green LED. If unsuccessful, you will hear 5 rapid beeps and see a blinking red LED. If unsuccessful, repeat from step 1.

Successful:



Unsuccessful:



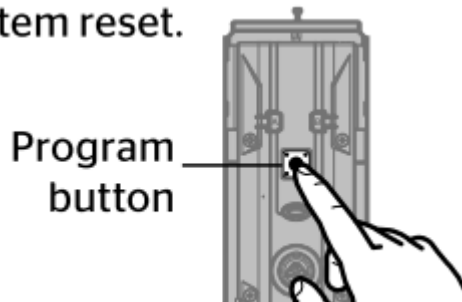
System Reset

System Reset will delete all access codes and lock settings including lock handing. The lock will run the handing process at the end of the System Reset.

1. Press "A" 10 times. You will hear 1 short beep and see a blinking amber LED to indicate it is in system reset mode.

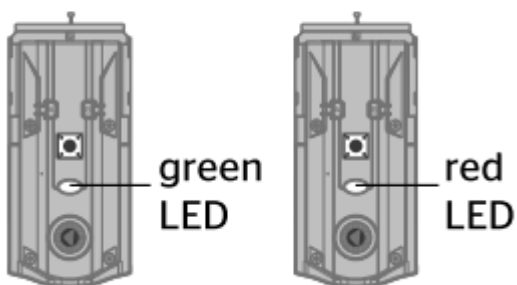


2. Press and release the Program button to confirm system reset.



3. If successful, you will hear 1 long beep and see a green LED, and the reset process will begin. During the reset process, the LED will blink green/red a few times and will beep when complete. If unsuccessful, you will hear 5 rapid beeps and see a blinking red LED. If unsuccessful, repeat from step 1.

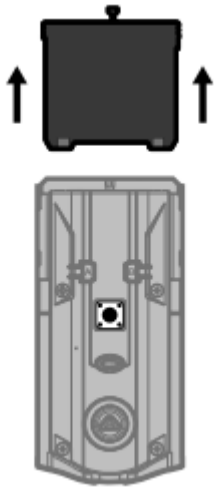
Successful: **Unsuccessful:**



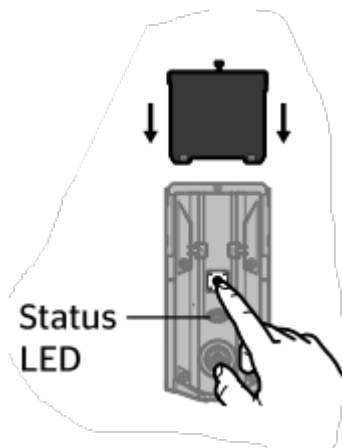
Factory Reset

Factory Reset will delete all Wi-Fi settings, Bluetooth pairings, user associations, remove the lock from the account, and reset all lock settings including handing.

1. Remove battery pack.



2. Press and HOLD the Program button while reinserting the battery pack. Keep holding the button for 30 seconds until the lock beeps . Status and the LED flashes red.



3. Press the Program button once more. The LED will flash green and red, and the auto -handing process will begin.

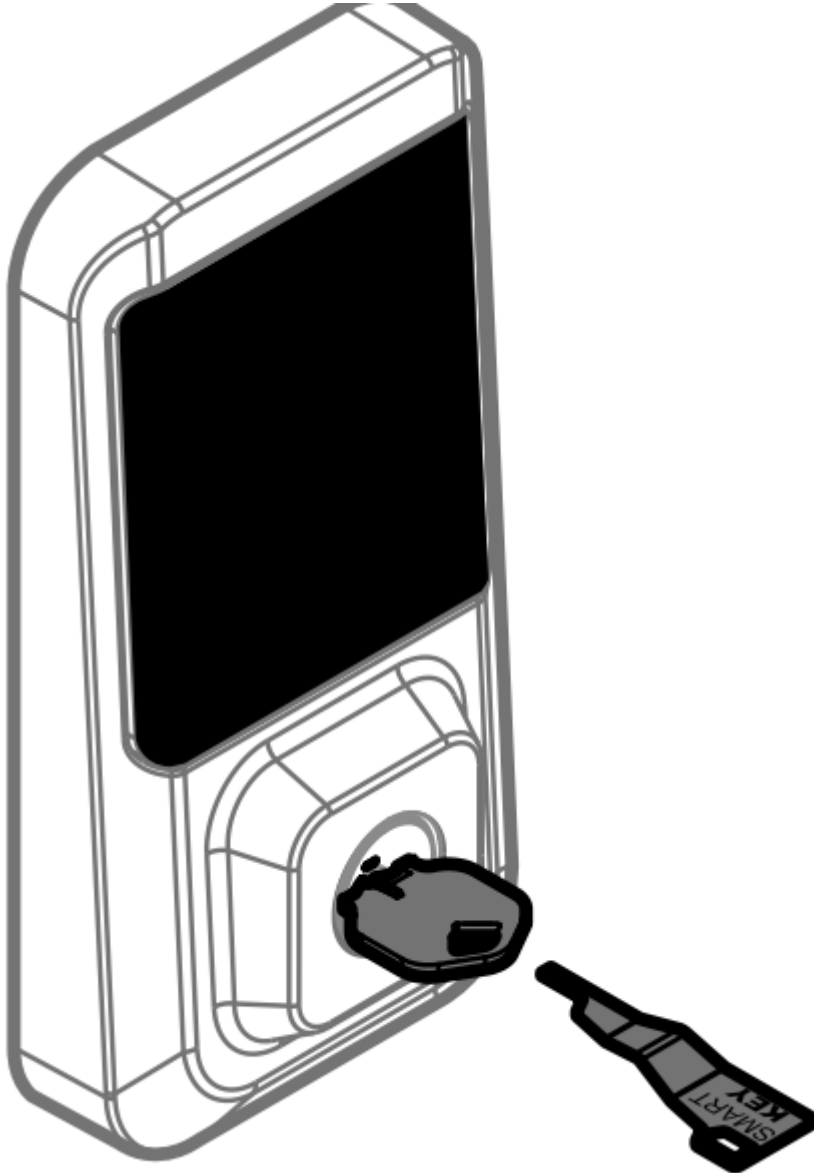


4. The latch will retract and extend to learn the orientation of the door. The LED will flash green if auto-handing is successful or red if autohanding is unsuccessful.

SmartKey Re-Keying

Re-key the lock to work with your existing key. See the supplied SmartKey Re-key instructions for more information.

Note: If auto-lock is enabled, remove the battery pack before re-keying your lock.



Important Safeguards

1. Read all instructions in their entirety.
2. Familiarize yourself with all warning and caution statements.
3. Remind all family members of safety precautions.
4. Protect your user codes.
5. Dispose of used batteries according to local laws and regulations.

WARNING: This Manufacturer advises that no lock can provide complete security by itself. This lock may be defeated by forcible or technical means, or evaded by entry elsewhere on the property. No lock can substitute for caution, awareness of your environment, and common sense. Builder's hardware is available in multiple performance grades to suit the application.

In order to enhance security and reduce risk, you should consult a qualified locksmith or other security professional.

Warning

This content is compiled from multiple sources and is provided for reference purposes only. It may not be complete or fully applicable to all situations. If you are unable to resolve your issue, please contact the product manufacturer or an authorized service provider for official support.

