

IMPORTANT SAFEGUARDS

WARNING: When using electrical appliances, basic safety precautions should always be followed, including:

1. READ ALL INSTRUCTIONS BEFORE OPERATING THE APPLIANCE.
2. Do not touch hot surfaces.
3. To protect against electrical shock, do not immerse cord, plugs or appliance in water or other liquid.
4. This appliance is not intended for use by persons (including children) with reduced physical, sensory or mental capabilities, or lack of experience and knowledge, unless they have been given supervision or instruction concerning use of the appliance by a person responsible for their safety.
5. Children should be supervised to ensure that they do not play with the appliance.
6. Unplug from outlet when not in use and before cleaning. Allow to cool completely before putting on and taking off parts.
7. Do not operate any appliance with a damaged cord or plug or after the appliance malfunctions or has been damaged in any manner. Return appliance to the nearest qualified appliance repair technician for examination, repair or adjustment.
8. The use of accessory attachments not recommended by the appliance manufacturer may cause injuries.
9. Do not use outdoors.
10. Do not let cord hang over edge of table or counter, or touch hot surfaces.
11. Do not place on or near a hot gas or electric burner, or in a heated oven.
12. Extreme caution must be used when moving this appliance.
13. To disconnect, press the ON/OFF button OFF (O), then remove plug from wall outlet.
14. Check to make sure the power ON/OFF button is in the OFF (O) position before plugging into or unplugging the Cotton Candy Maker from the electrical outlet.
15. Always check inside the heating element compartment for foreign objects before pressing the ON/OFF button ON (|).
16. CAUTION: The extractor head gets hot! Avoid contact with the extractor head until cool.
17. CAUTION: The extractor head rotates at high speed. Keep hands, face and loose objects clear from the extractor head to avoid possible injury.
18. Do not use appliance for other than intended use.

ADDITIONAL IMPORTANT SAFEGUARDS

CAUTION, HOT SURFACES: This appliance generates heat and escaping steam during use. Proper precautions must be taken to prevent the risk of burns, fires or other injury to persons or damage to property.

1. A person who has not read and understood all operating and safety instructions is not qualified to operate this appliance. All users of this appliance must read and understand this Instruction Manual before operating or cleaning this appliance.
2. If this appliance falls or accidentally becomes immersed in water, unplug it from the wall outlet immediately. Do not reach into the water!
3. When using this appliance, provide adequate air space above and on all sides for air circulation. Do not operate this appliance while it is touching or near curtains, wall coverings, clothing, dish towels or other flammable materials.
4. Do not leave this appliance unattended when the plugged into an electrical outlet and ON/OFF button is ON (|).
5. If this appliance begins to malfunction during use, immediately unplug the cord. Do not use or attempt to repair a malfunctioning appliance!
6. The cord to this appliance should be plugged into a 120V AC electrical wall outlet.
7. Do not use this appliance in an unstable position.

This unit should be used on a flat, level surface.

Notes on the Plug

This appliance has a polarized plug (one blade is wider than the other). To reduce the risk of electric shock, this plug will fit in a polarized outlet only one way. If the plug does not fit fully into the outlet, reverse the plug. If it still does not fit, contact a qualified electrician. Do not modify the plug in any way.

Notes on the Cord

The provided short power-supply cord should be used to reduce the risk resulting from becoming entangled in or tripping over a longer cord. Do not use an extension cord with this product. Always plug directly into a wall outlet/receptacle.

Plasticizer Warning

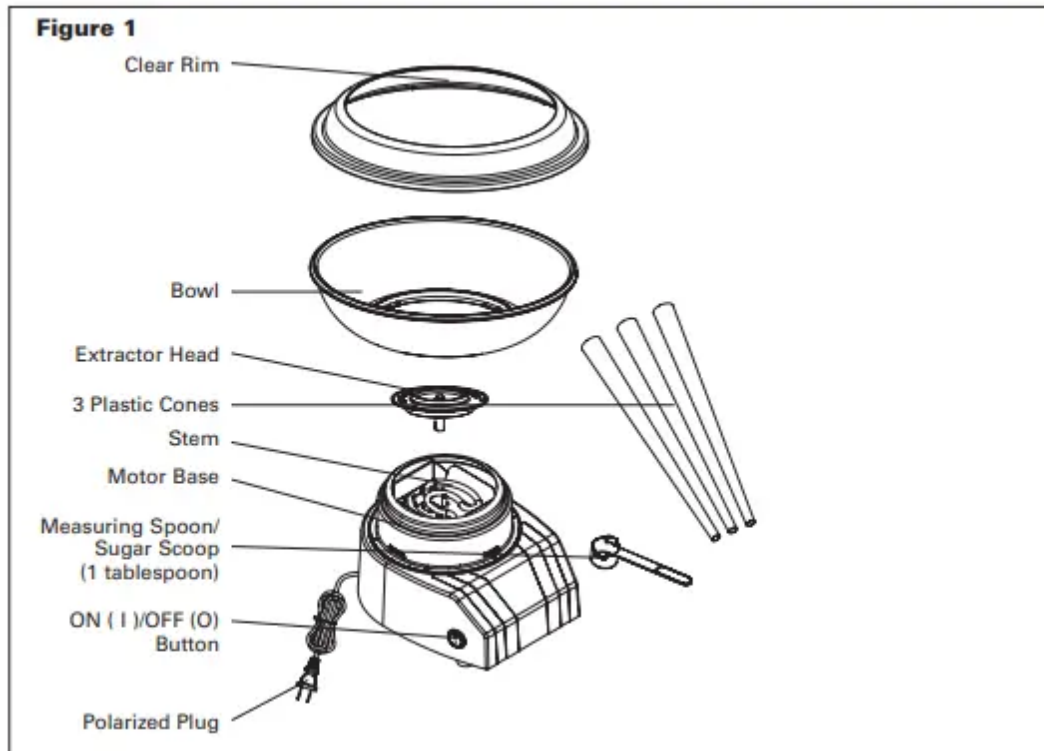
CAUTION: To prevent Plasticizers from migrating to the finish of the counter top or table top or other furniture, place NON-PLASTIC coasters or place mats between the appliance and the finish of the counter top or table top. Failure to do so may cause the finish to darken; permanent blemishes may occur or stains can appear.

Electric Power

If the electrical circuit is overloaded with other appliances, your appliance may not operate properly. It should be operated on a separate electrical circuit from other appliances.

Cotton Candy Party at Home!

Children young and old, love eating cotton candy. For carnival fun from home, your Cotton Candy Maker transforms both granulated sugar and hard candies into your favorite flavored cotton candy in minutes! Use sugar-free candies to create a low calorie treat. Simple to operate and easy to clean, your Cotton Candy Maker will be the hit of any party or family celebration.



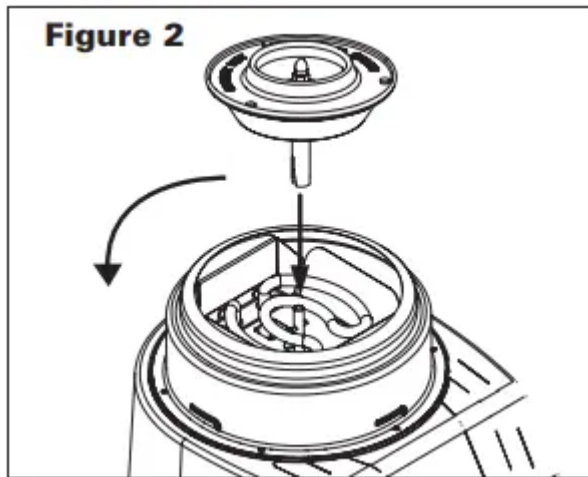
Getting to Know Your Cotton Candy Maker

Product may vary slightly from illustration

Before Using for the First Time

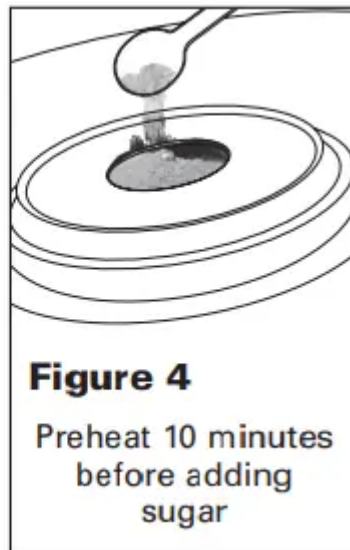
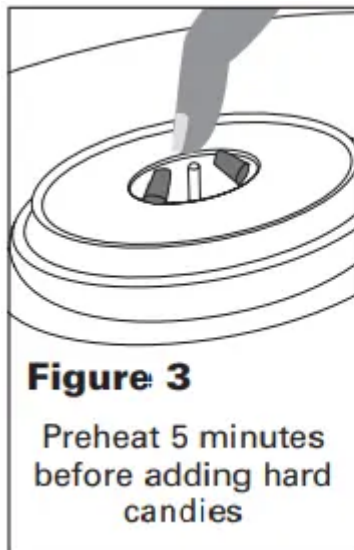
1. Carefully unpack the Cotton Candy Maker and remove all packaging materials.
2. Before using your Cotton Candy Maker for the first time, wipe down the unit with a non-abrasive cloth or sponge to clean any dust or loose materials.
3. To attach the extractor head, align the grooves to fit over the pegs on the stem and gently push down. (Figure 2)
4. To attach the bowl, carefully push the bowl down and turn it counter clockwise to lock it into place.

5. Attach the clear rim by snapping it in place. Your Cotton Candy Maker is now ready to use.



Operating Instructions

1. Place the Cotton Candy Maker on a dry, clean, and level surface.
2. Check to make sure the power ON/OFF button is in the (O) OFF position. Plug the fully assembled Cotton Candy Maker into a 120V AC electrical outlet.
3. Press the power ON/OFF button to ON (|) position. The extractor head will begin to spin and the element will begin to heat.
4. When using hard candies, run the Cotton Candy Maker for 5 minutes to allow the extractor head to preheat. When using granulated or superfine sugar, allow the Cotton Candy Maker to run for 10 minutes to allow the extractor head to preheat.
5. After preheating, press the power ON/OFF button to (O) OFF. CAUTION: After preheating, extractor head is hot! Avoid contact. Make sure the extractor comes to a complete stop before adding candy or sugar to the extractor head.
6. Place no more than 2 pieces of hard candy (Figure 3) or 1 scoop of granulated or superfine sugar (1 tablespoon) into the extractor head (Figure 4). Make sure the hard candies are evenly spaced. For a list of preferred candies or suggested flavor combinations, see the “Hints For Best Results” section of this Instruction Manual.
WARNING: To ensure the Cotton Candy Maker functions optimally, do not use more than 2 pieces of hard candy or 1 scoop of granulated or superfine sugar at one time. Overfilling the extractor head will clog the unit.



7. Press the power ON/OFF button to ON (|) position. The extractor head will spin and the element will begin to heat.
8. When the web of spun sugar fibers begin to collect around the bowl, slowly spin the cone in your fingers while circling the bowl.
9. Once the cotton candy begins to collect on the cone, hold it horizontally over the extractor head and continue to spin the cone, moving from side to side, collecting all of the candy from inside the bowl. **WARNING:** Do not leave the Cotton Candy Maker unattended when ON/OFF button is ON (|).
10. When no more cotton candy fibers are emitted from the extractor head, press the power ON/OFF button to the (O) OFF position. Additional servings can be prepared by repeating the instructions previously described. Allow the extractor head to come to a complete stop before adding more candy or sugar.
11. Press the power ON/OFF button to ON (|) position and resume spinning. **CAUTION:** When the Cotton Candy Maker has been powered ON (|), the extractor head gets hot! To avoid burns or personal injury, avoid contact with the extractor head. **NOTE:** As the extractor head heats making cotton candy, spun fibers will flow more quickly.
12. When you are finished making cotton candy, press the power ON/OFF button to the (O) OFF position and unplug the Cotton Candy Maker from the electrical outlet.

Hints for Best Results

To avoid brittle texture or if the unit is not producing cotton candy, follow these helpful hints.

- Always use the Cotton Candy Maker on a stable and level surface.
- Make sure the extractor head is clean and free of candy residue before use.

- Do not add more than 2 pieces of hard candy or more than 1 sugar scoop (1 tablespoon) of granulated or superfine sugar to the extractor head at one time.
- To avoid clumps of sugar, it may be necessary to break the candies into smaller pieces and distribute evenly around the extractor head.
- Create your own favorite cotton candy flavors by combining several hard candies.
- Stand your finished cotton candy cones in a drinking glass until you are ready to serve.

Preferred Sugar and Sugar-Free Candy List

- Fruit flavors such as cherry, strawberry, mixed fruits, grape, lime, orange.
- Cinnamon
- Root Beer
- Peppermint
- Coffee

Sugar and Sugar-Free Candy Not Recommended

- Candy shaped in balls
- Cream flavors or cream-based hard candies
- Gummy or chewy candies
- Sugar-pressed candies
- Hard-shelled candies
- Sugar and sugar-free drink mix packets

Flavor Combinations: The possibilities are endless!

- Fruit Punch = Any fruit flavors or combination
- Candy Apple = Green Apple + Cinnamon
- Red Berry = Cherry + Strawberry
- Red Melon = Cherry + Watermelon
- Hot Toddy = Butterscotch + Cinnamon
- Blue Raspberry = Blueberry or Wildberry + Raspberry
- Monkey Business = Banana + Chocolate
- Afternoon Refresher = Orange or Lemon + Mint
- Mocha Sensation = Chocolate + Coffee

User Maintenance Instructions

This appliance requires little maintenance. It contains no user serviceable parts. Do not try to repair it yourself. Any servicing requiring disassembly other than cleaning, must be performed by a qualified appliance repair technician.

Care & Cleaning Instructions

CAUTION: NEVER IMMERSE BASE UNIT OR CORD IN WATER OR OTHER LIQUID.

1. The Cotton Candy Maker comes apart for easy cleaning.
2. Always unplug and allow to cool completely before cleaning.
3. When fully cooled, unlock and remove the bowl by turning counter-clockwise.
4. Remove the extractor head by gripping both sides firmly and pulling straight up.
5. The clear lid, bowl and extractor head are top rack dishwasher-safe. To clean by hand, wash the clear lid, bowl and extractor head in warm, soapy water. Never use abrasive cleansers or scouring pads, as they may damage the surfaces. Rinse and dry thoroughly.
6. If sugar sticks to the extractor head, allow it to soak it in warm soapy water for a couple of hours to overnight before cleaning with a non-abrasive cloth or sponge. Rinse and dry thoroughly.
7. Wipe the exterior of the motor base with a soft, slightly damp cloth or sponge. Never use abrasive cleansers or scouring pads to clean the motor base, as they may damage the surfaces.

Storing Instructions

1. Never store Cotton Candy Maker while it is hot or wet.
2. Be sure Cotton Candy Maker is clean and dry and fully assembled before storing.
3. Store appliance in its box or in a clean, dry place.
4. Never wrap cord tightly around the appliance; keep it loosely coiled.

Warning

This content is compiled from multiple sources and is provided for reference purposes only. It may not be complete or fully applicable to all situations. If you are unable to resolve your issue, please contact the product manufacturer or an authorized service provider for official support.

