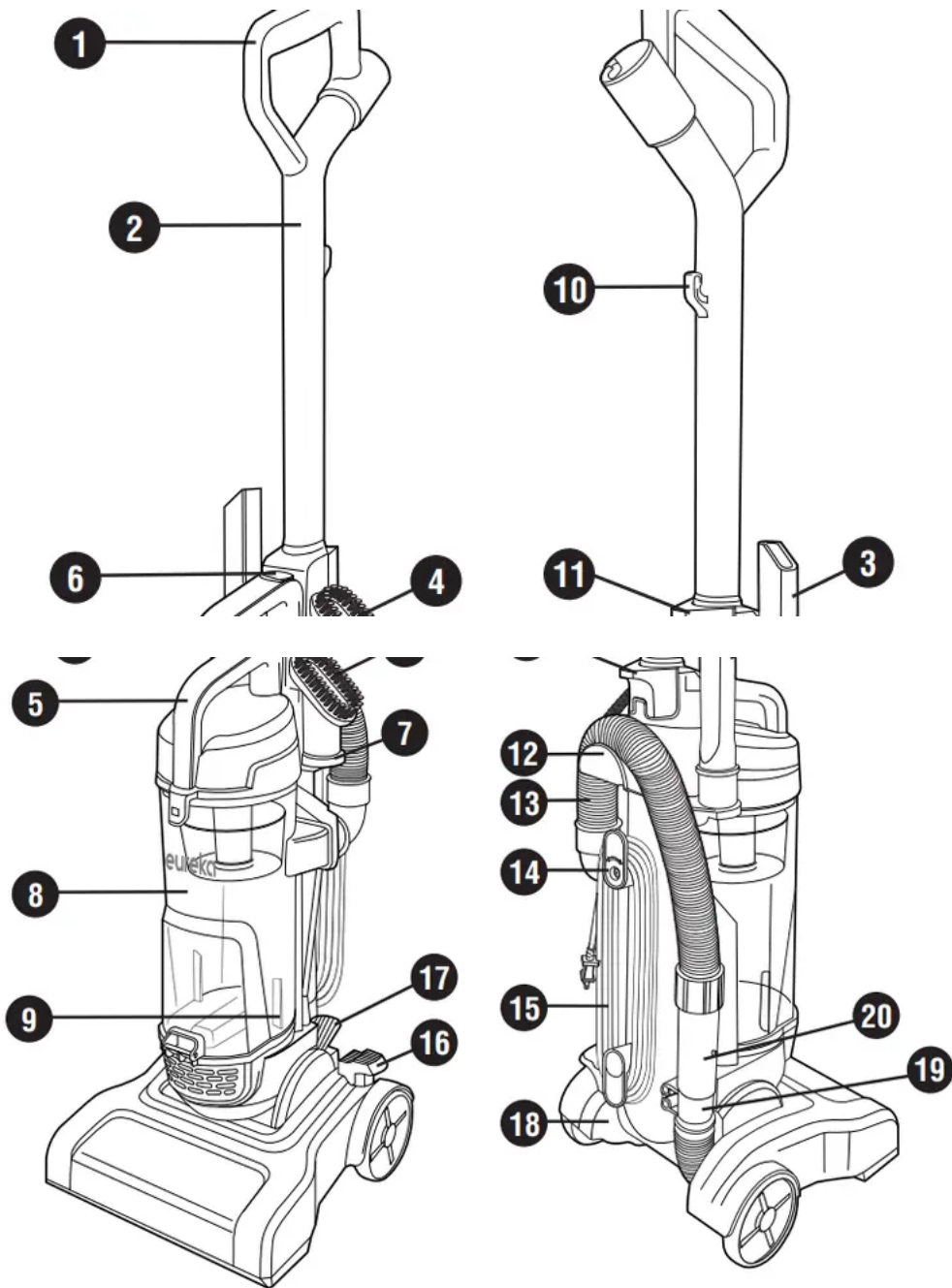


## How to identify parts of your vacuum cleaner



1. Handle
2. Detachable Extension Wand
3. CreviceTool
4. Dusting Brush
5. Carrying Handle
6. Dust Cup Release Button

7. Accessory Holder
8. Dust Cup
9. Dust Cup Empty Button
10. Cord Hook
11. Extension Wand Release
12. Hose hook 1
3. Stretch Hose
14. Upper Cord Wrap
15. Power Cord
16. Handle Recline Pedal
17. Power Switch Pedal
18. Product Rating Label and Serial Number
19. Hose Holder
20. Hose Handle

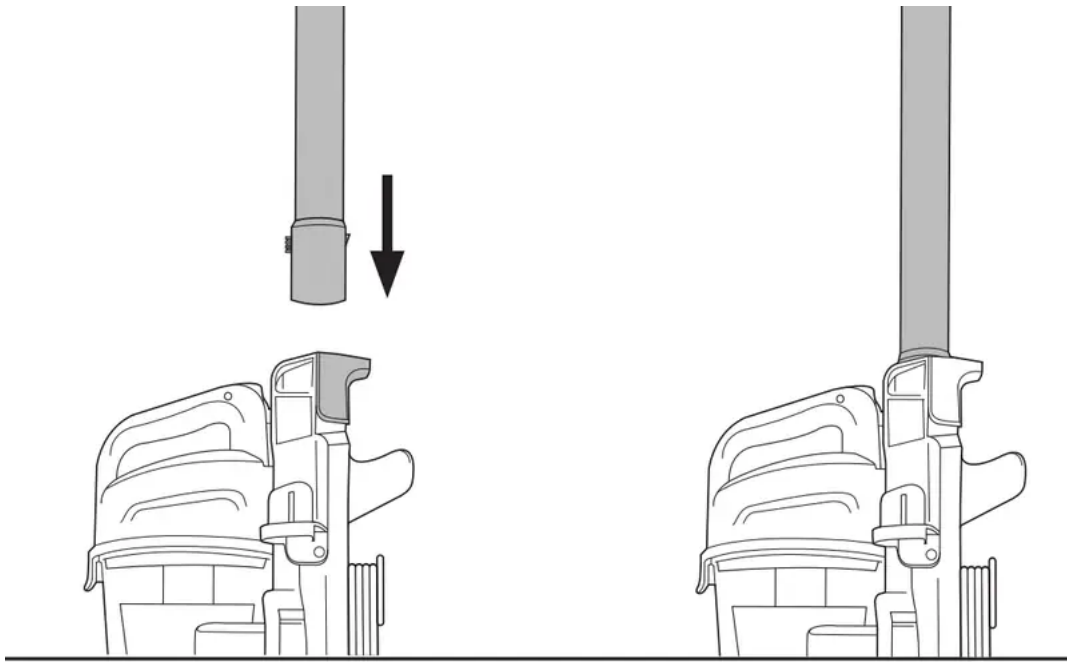
## **How to assemble your vacuum cleaner**

Please Note: Always remove the plug from the power socket before attaching or removing accessories. Ensure all filters are fitted, and fitted correctly before using

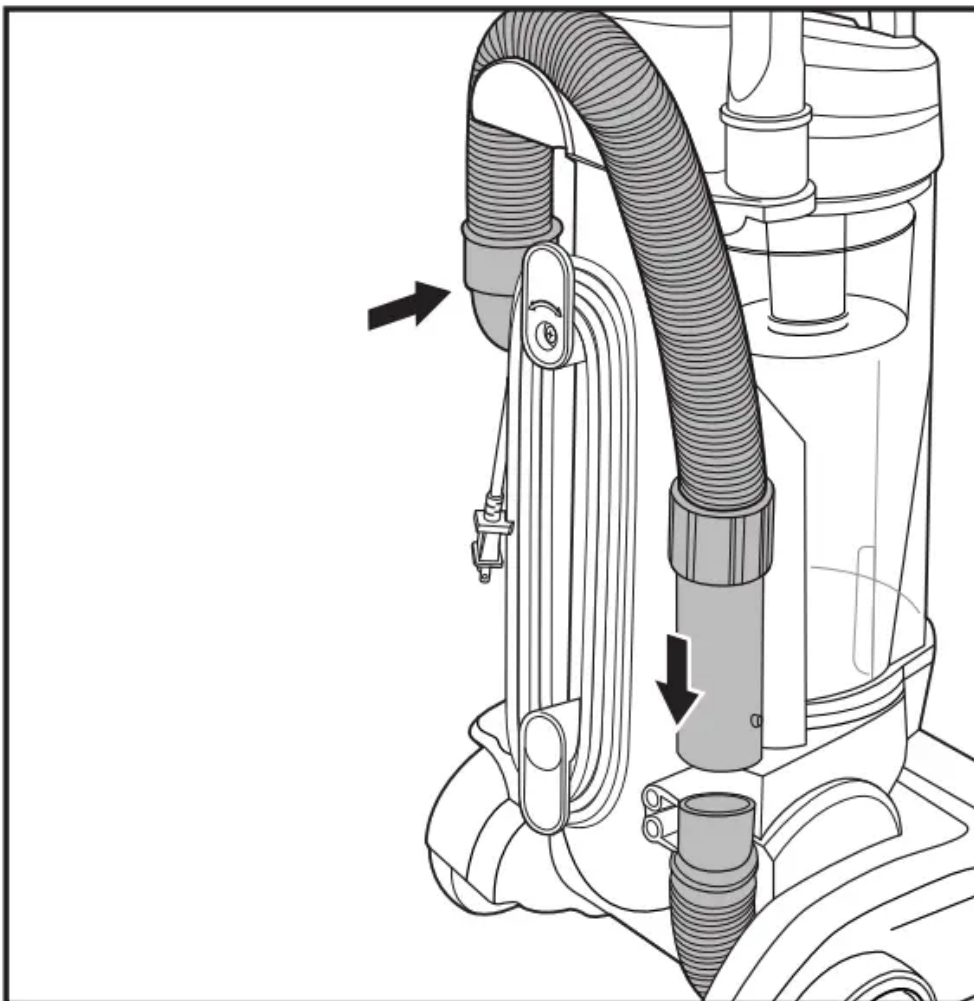


### **WARNING:**

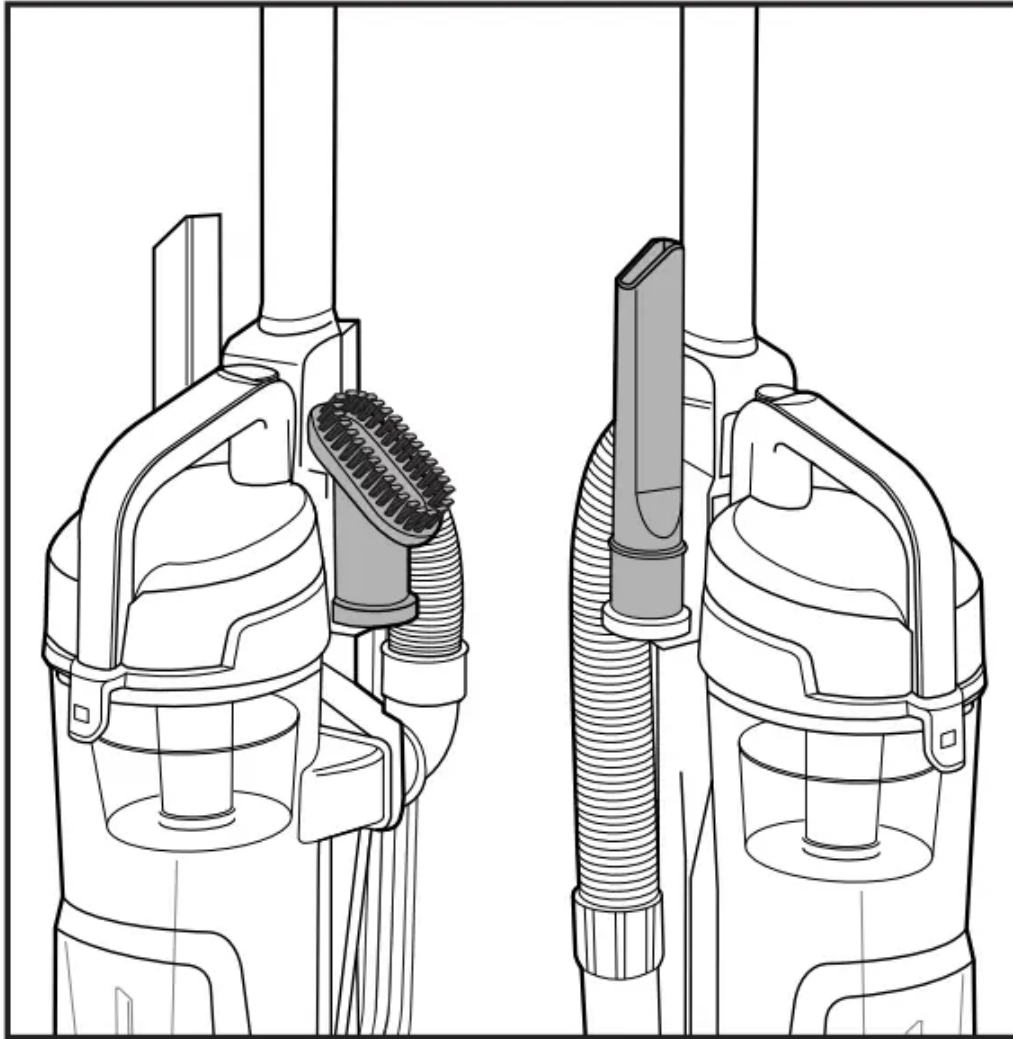
DO NOT plug in your vacuum cleaner until you have completely assembled it per the following instructions and are familiar with all instructions and operation procedures.



Insert the handle into the base and push until you hear it click and lock into place.



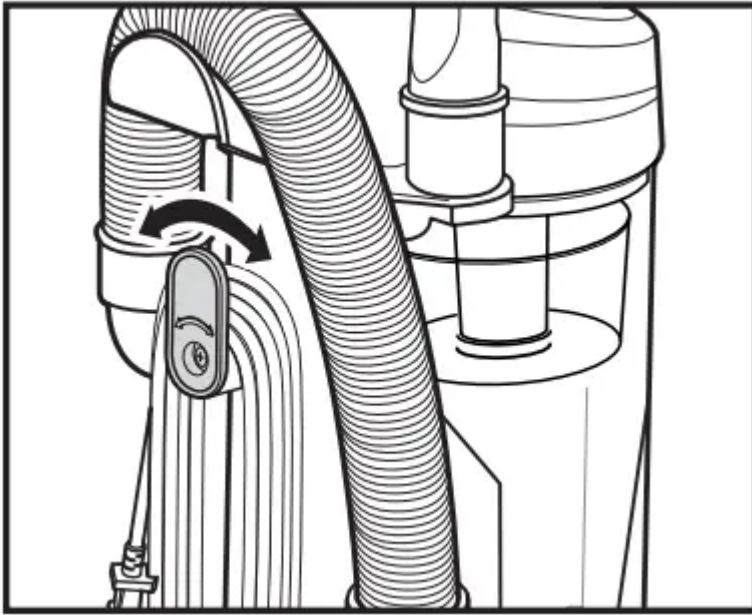
Insert the angled end of the hose into the upper hose holder and rotate clockwise to join. Then insert the hose handle into the lower hose holder.



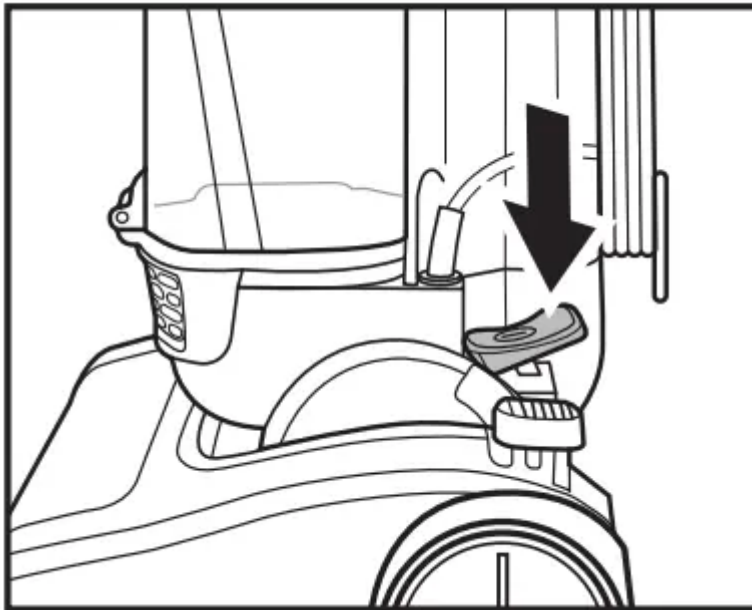
Place the crevice tool and brush tool accessories onto the on-board storage as shown.



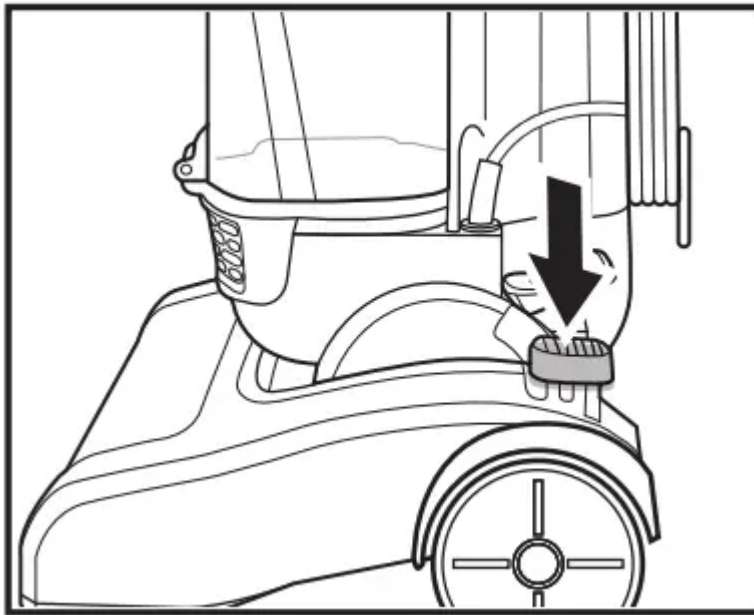
## Operation



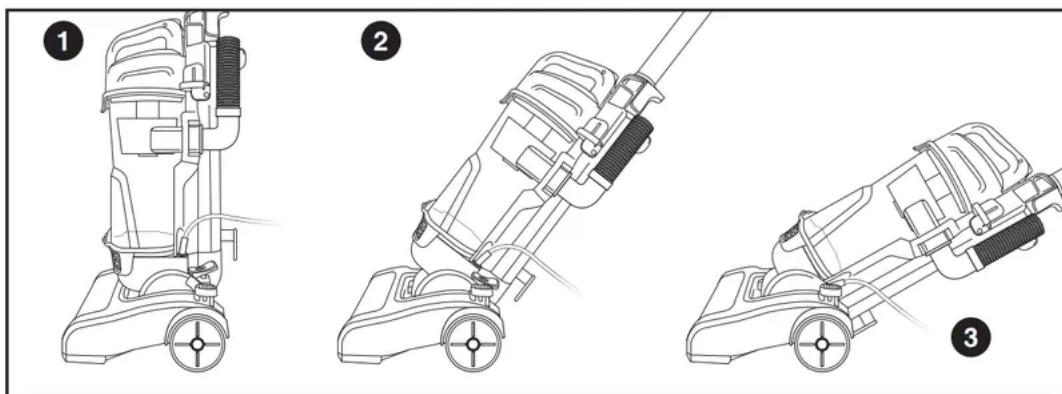
Twist the upper cord wrap to release the power and plug in your vacuum.



Step on the power switch pedal and pull back on handle, to engage for operation.



Press the handle recline pedal with your foot to place your vacuum in one of three positions.



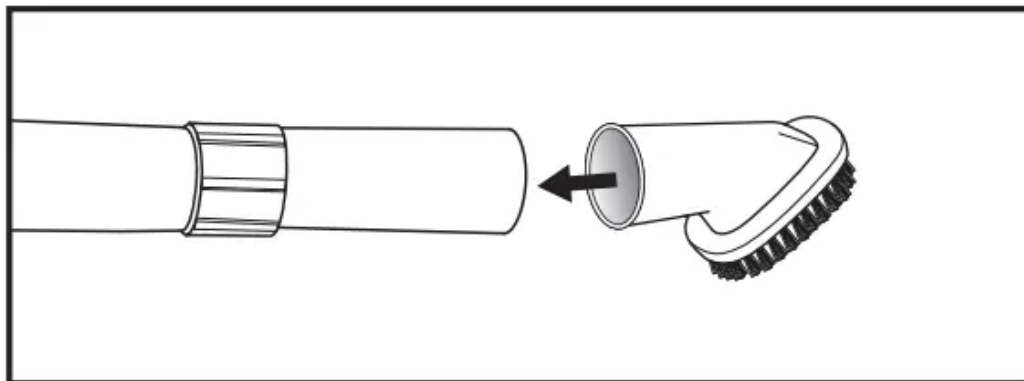
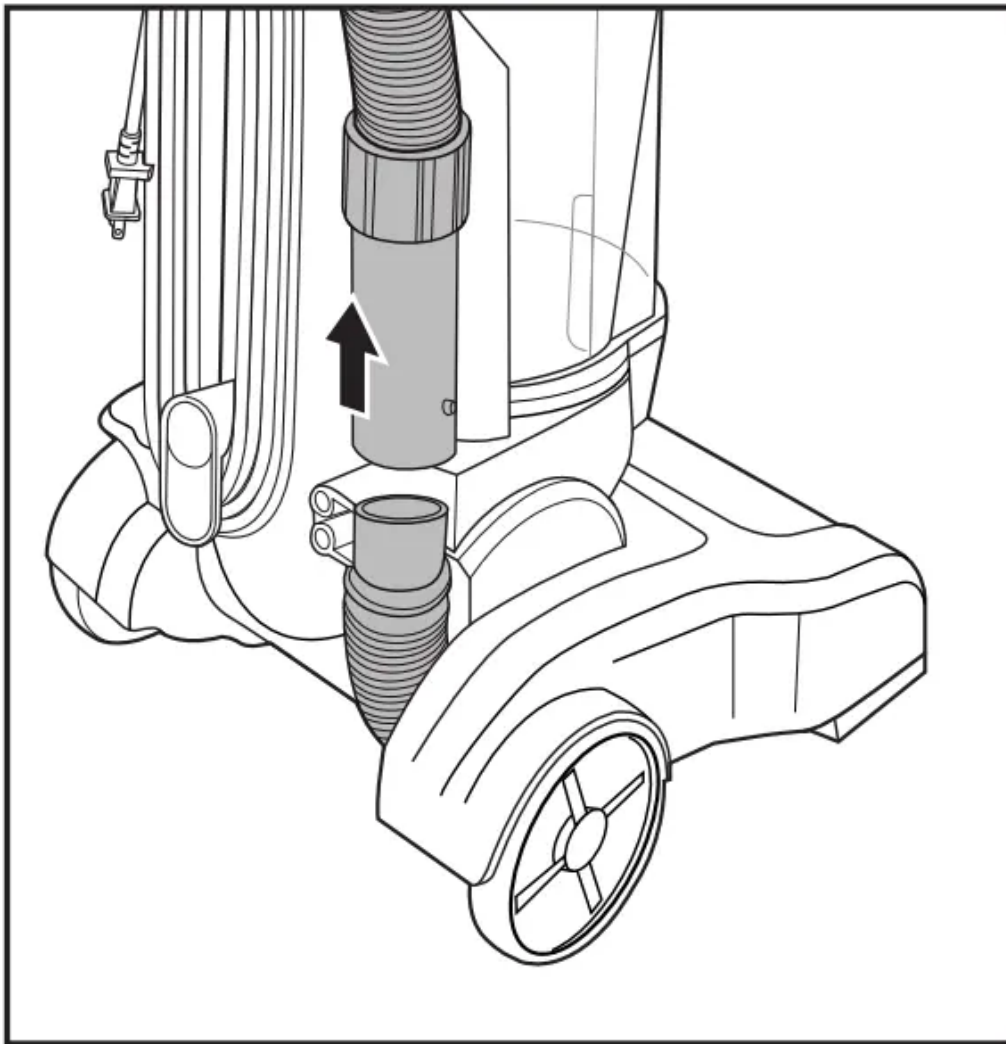
1. **Upright** - For storage and transporting.

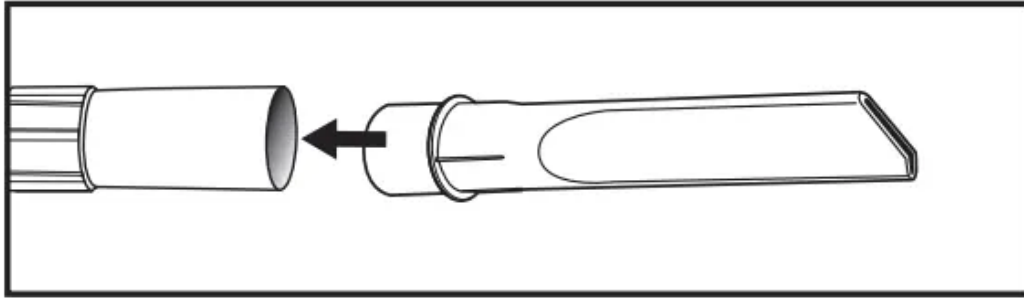
2. **Normal Cleaning** - Press handle recline pedal once. Use for most household floor cleaning tasks.

3. **Low Cleaning** - With the vacuum in normal cleaning position, press handle recline pedal again. Use for reaching under low furniture, such as tables, chairs or beds.

## How to use your vacuum cleaner

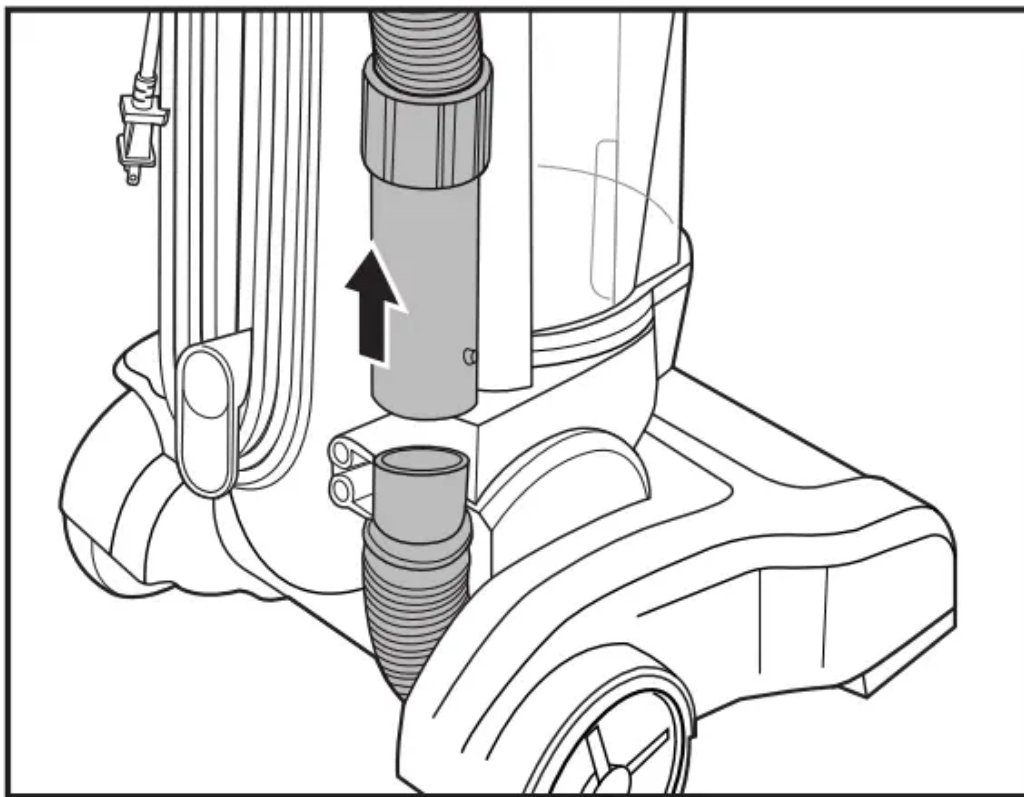
### Using Accessories

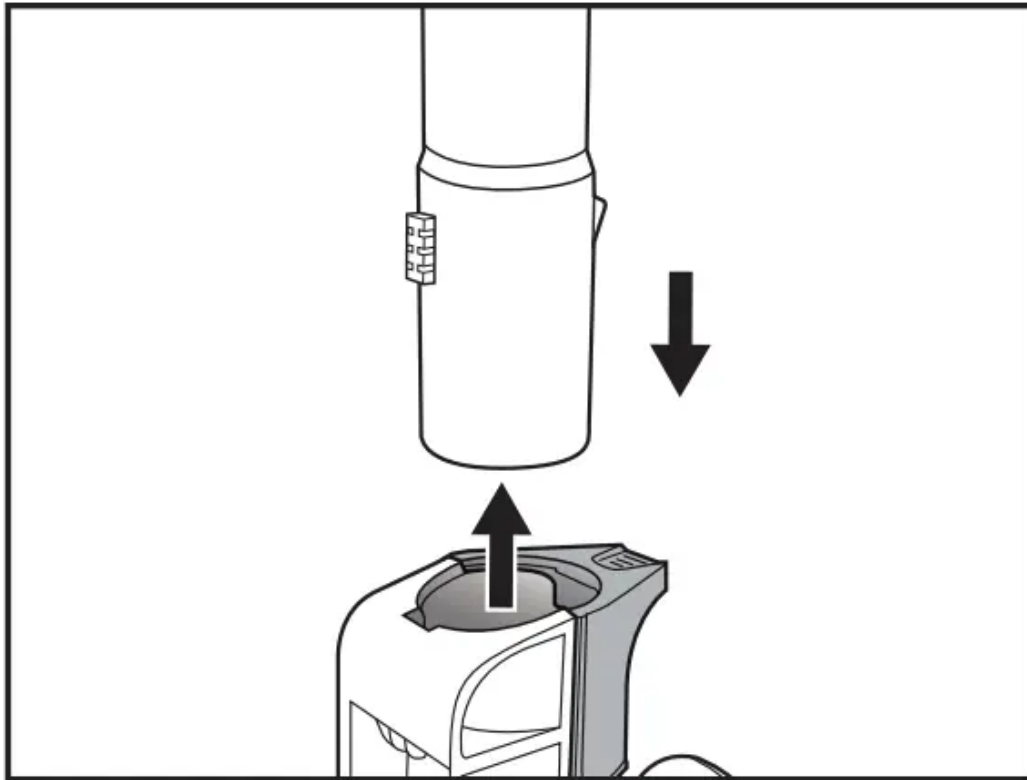




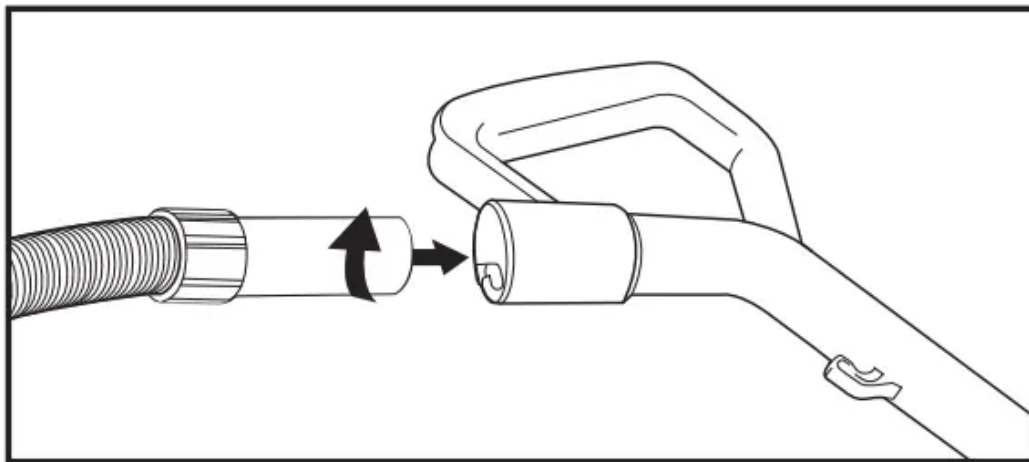
Remove hose handle from the hose holder. You can insert the crevice tool or dusting brush into the hose handle.

### Using the Detachable Extension Wand

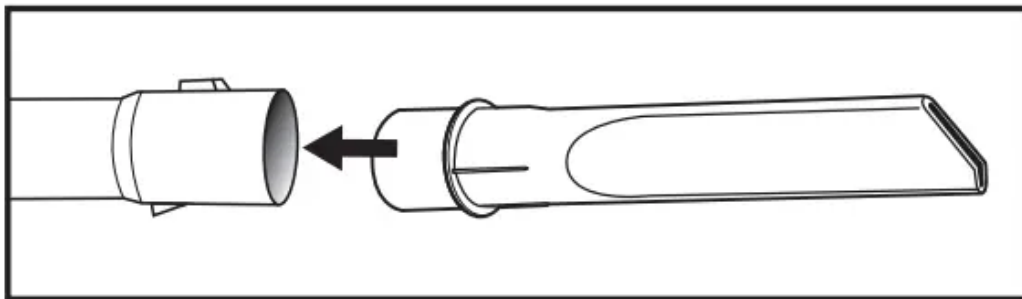
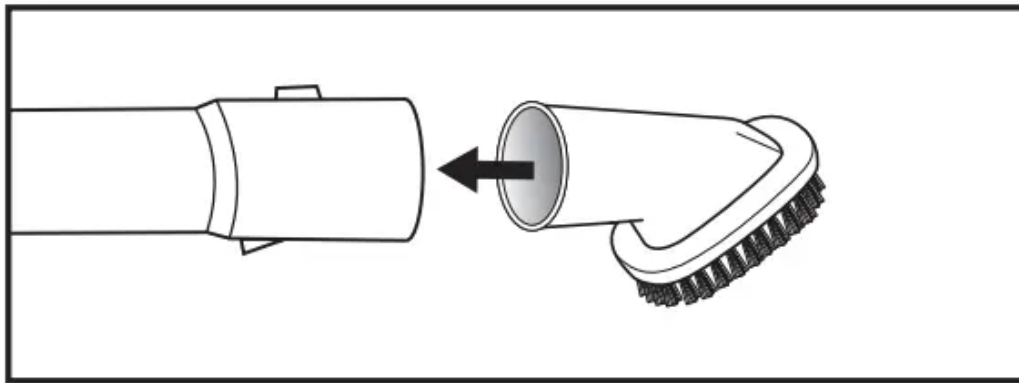




Remove the handle from the body of the vacuum by pressing the extension wand release and pulling up on the handle.



Place the hose handle into the handle port and turn counter-clockwise until locked in place.



You can insert the crevice tool or dusting brush into the extension wand.

## Maintenance And Care

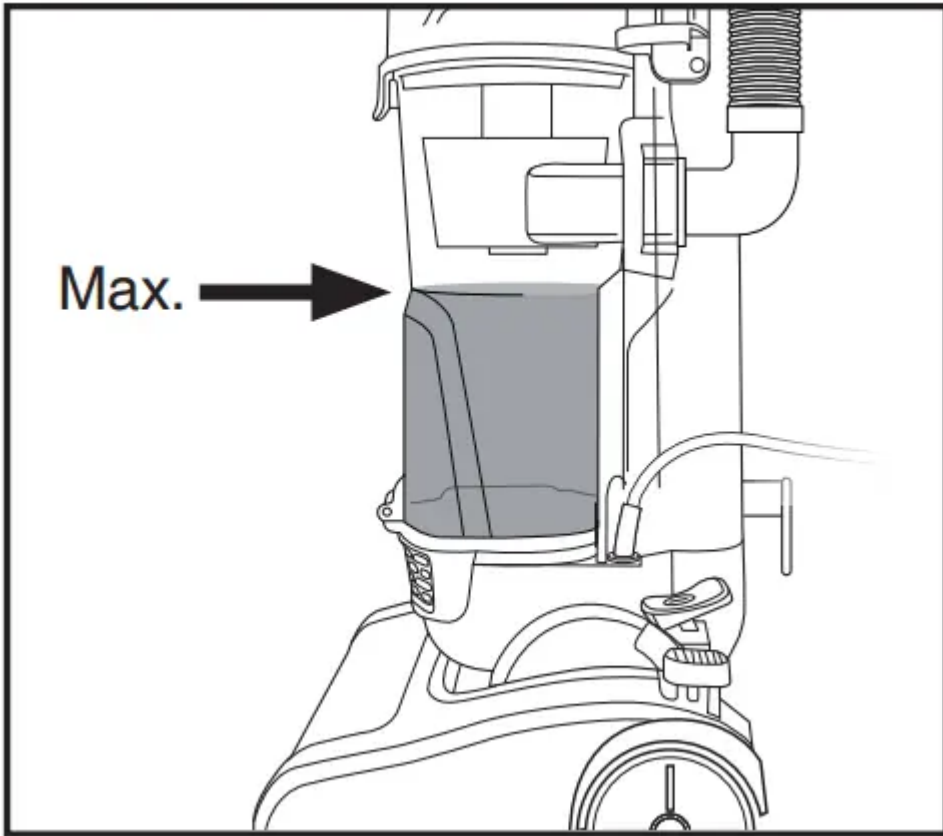
### Emptying And Cleaning Dust Cup



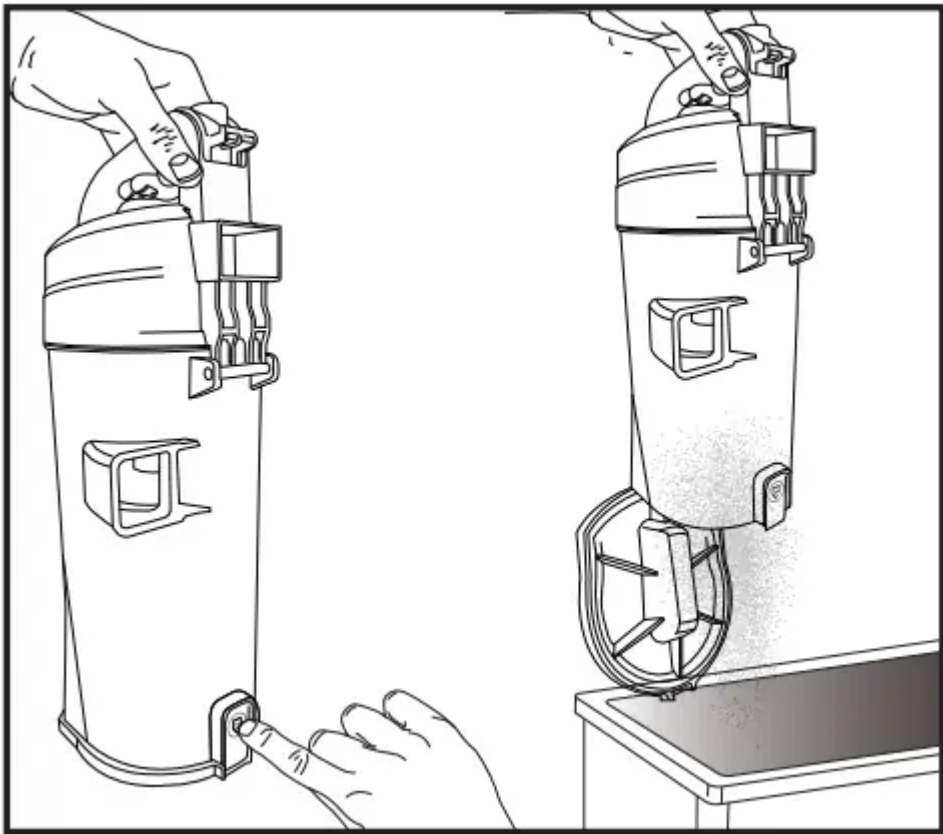
**WARNING:**

Turn off and unplug vacuum cleaner before performing maintenance to the vacuum cleaner.

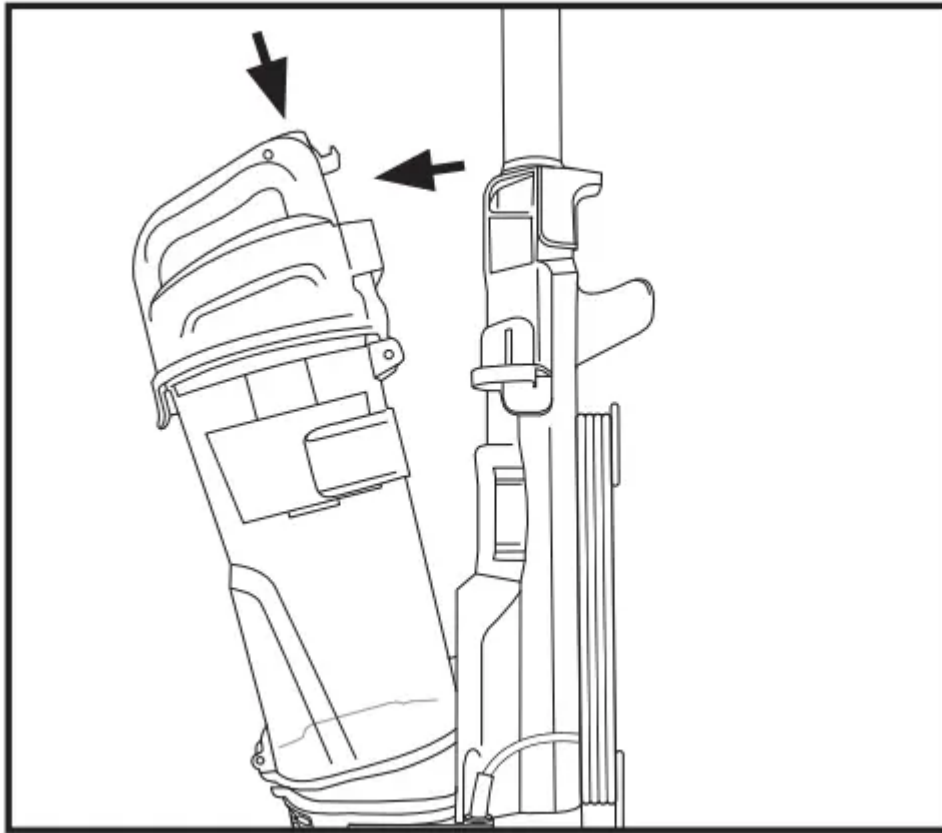
### Emptying and cleaning the dust cup



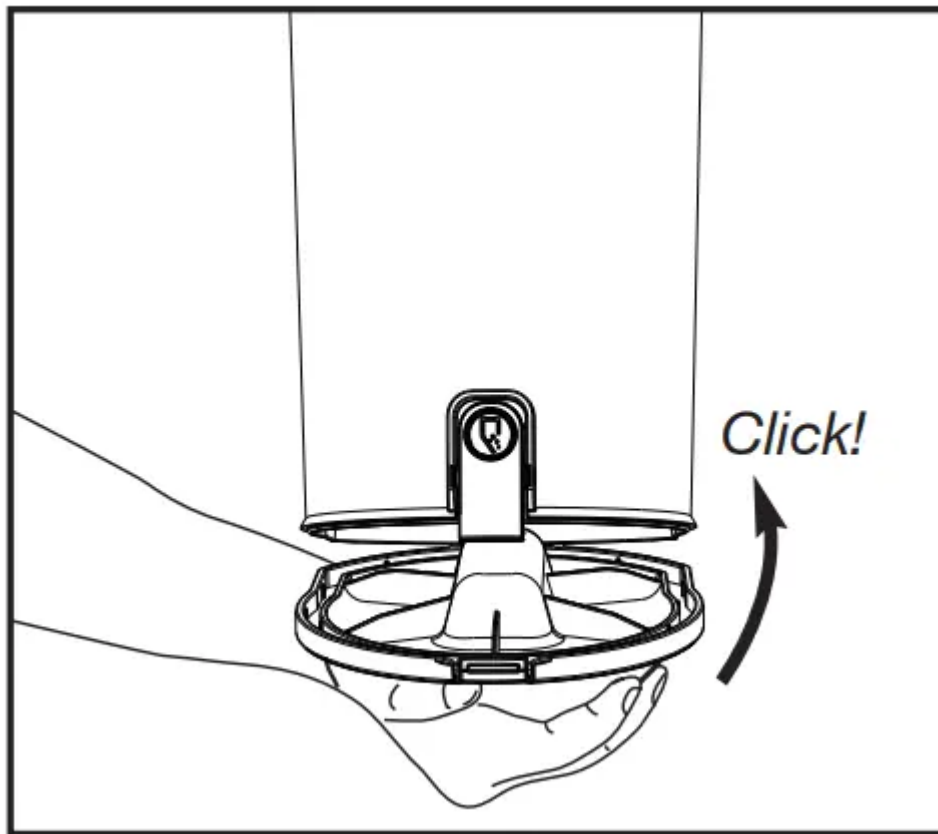
The dust cup needs to be emptied when dirt reaches the "Max" line.



Hold dust cup over garbage bin and press the open button on the bottom of the cup, allowing the dust to empty



Press dust cup release button to remove the dust cup.



Close the base of the dust cup, align the cup base back onto the machine and push until it clicks back into place.

### **Cleaning Dust Cup Filter**



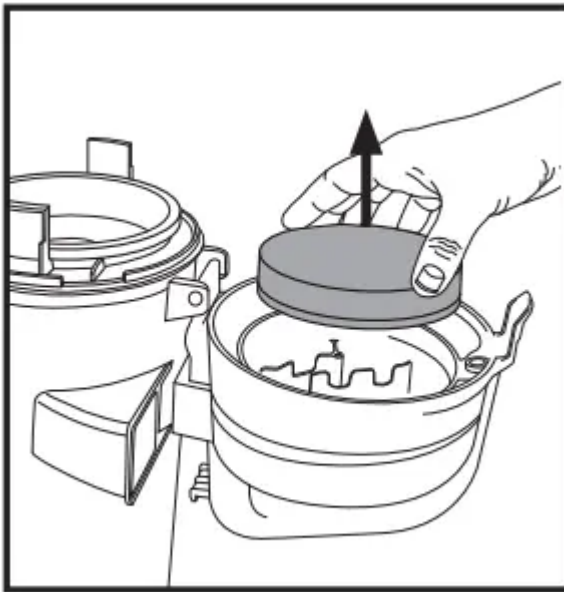
**WARNING:**

Turn off and unplug vacuum cleaner before performing maintenance to the vacuum cleaner.

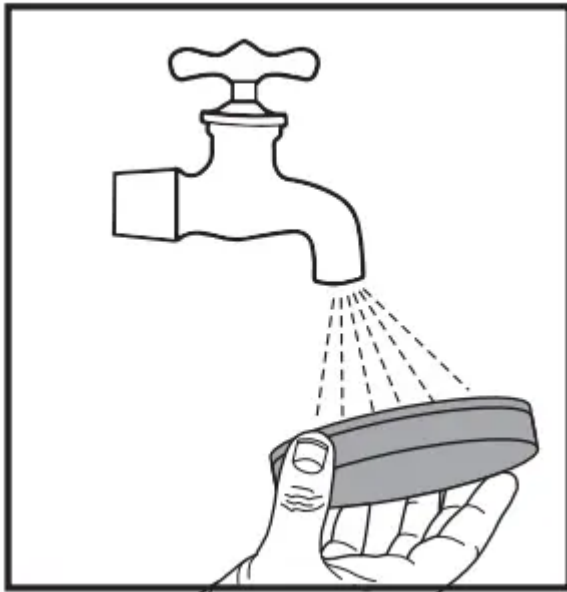
1. Open the dust cup filter lid, located on the top of the cup.



2. Remove the dust cup foam filter.



3. Hand wash the foam filter.

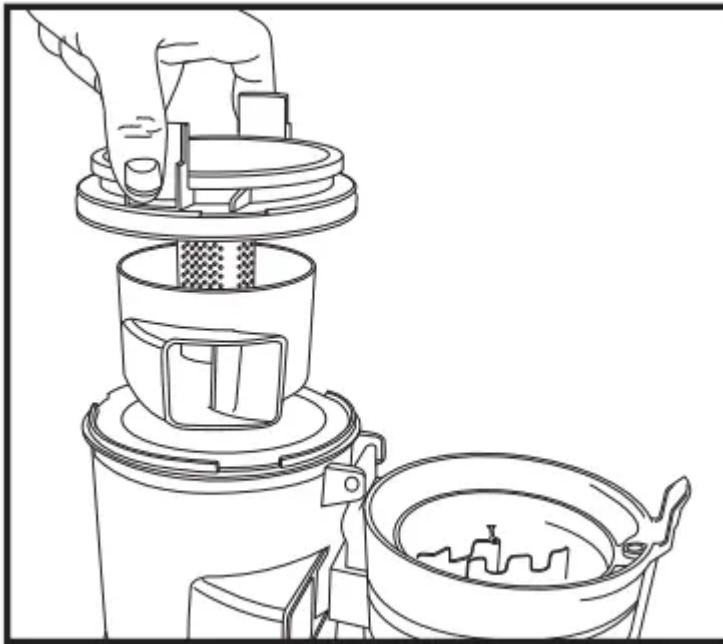


4. Allow filter to dry 24 hours before putting back into vacuum cleaner.

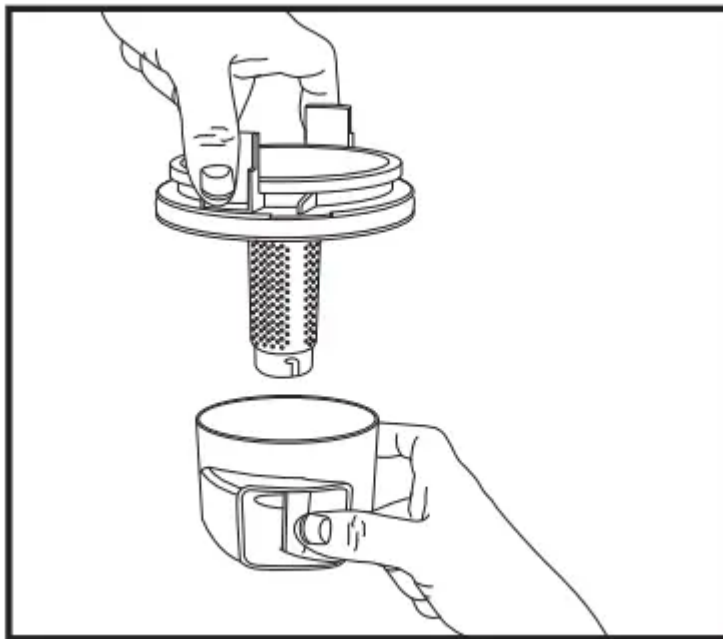


### **Cleaning Cyclone**

5. Lift cyclone to remove for cleaning dirt and debris.



6. Twist the inlet cup clockwise to remove for cleaning dirt and debris.



DO NOT operate without filter installed.

DO NOT wash dust cup in the dishwasher.

DO NOT install damp filter.



CAUTION:

Do not turn appliance on when dust cup is removed.

- In order to keep the suction force optimized, the dust cup and filters must be cleaned regularly.
- Reassemble after cleaning

## Replace Brush Roll



### WARNING:

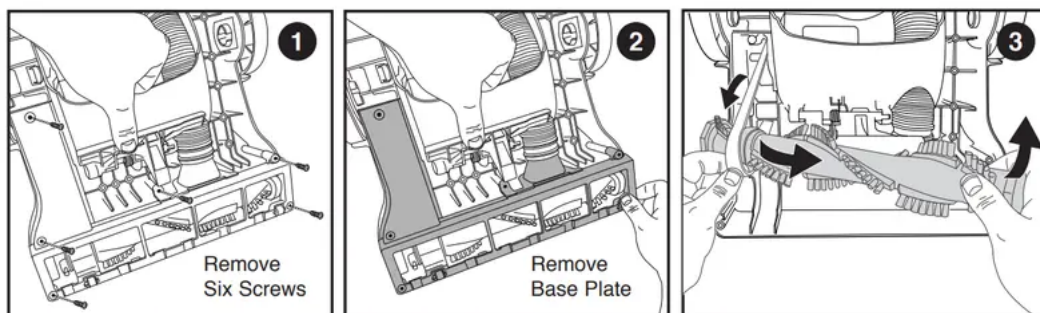
Turn off and unplug vacuum cleaner before performing maintenance to the vacuum cleaner

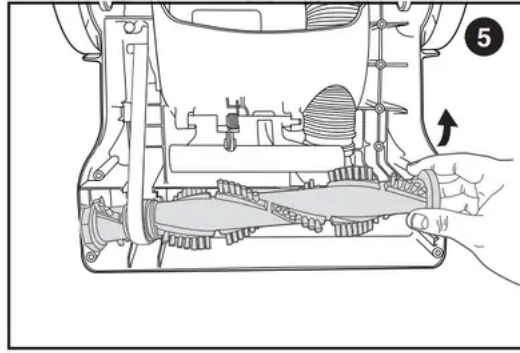
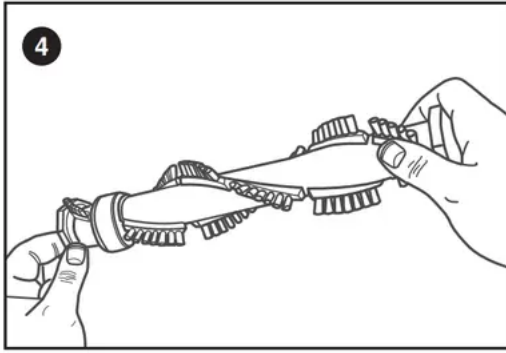
You should check your cleaner's brush roll and drive belt regularly for wear or damage. You should also clean the brush and brush ends by removing string, hair and carpet fibers. These can wrap around the brush and hamper its ability to effectively clean your carpet. Also remove any debris that has accumulated under the brush cover.

1. Turn off vacuum and unplug from electrical outlet.
2. Place vacuum upside down with brush roll facing upwards.
3. Remove the six screws as shown with a small Phillips screwdriver.
4. Lift off brush cover.
5. Grasp floor brush at both ends and remove by lifting out.
6. Clean string, hair and other debris from floor brush, motor pulley, and drive belt.
7. Check floor brush for worn areas and replace if needed.
8. Check air passageway for obstructions. Remove debris from this area.
9. When finished cleaning, reposition floor brush and drive belt.

Then replace the brush cover and re-install the five screws.

10. Turn floor brush by hand several times in the direction of the motor pulley. If properly installed, the drive belt will align itself on floor brush.





## Replace Drive Belt



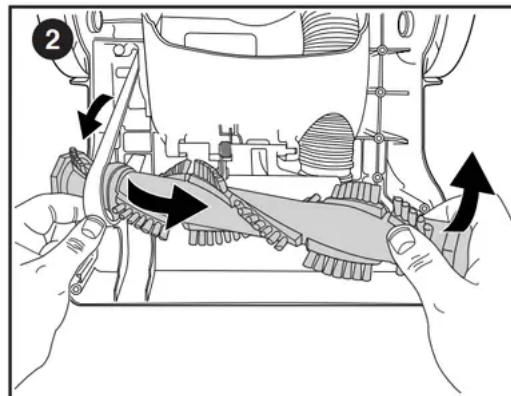
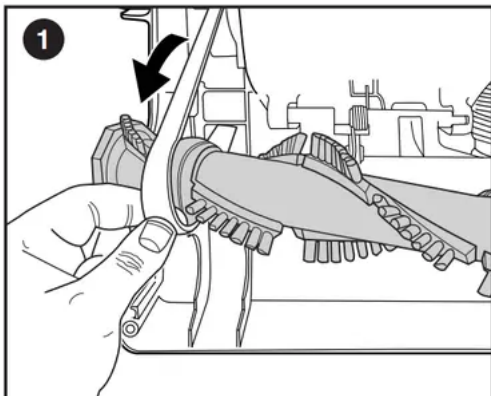
### WARNING:

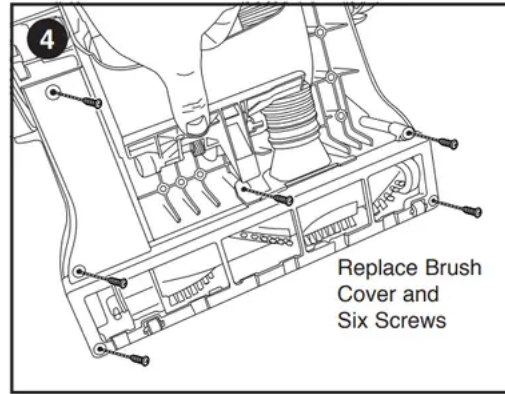
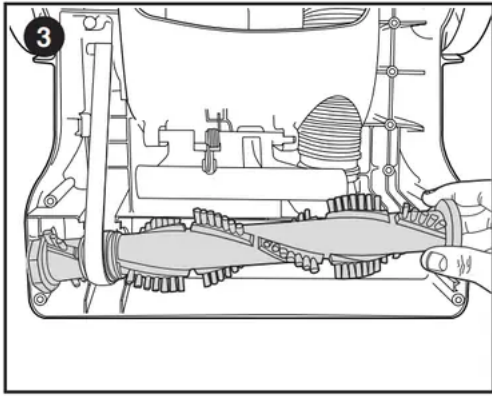
Turn off and unplug vacuum cleaner before performing maintenance to the vacuum cleaner

Check the drive belt carefully for wear, cuts and stressed areas. If the drive belt appears worn, you will need to replace it.

To remove the drive belt, read the instructions and follow the drawings below:

1. Grasp the old drive belt and remove from motor shaft. Discard old drive belt.
2. Loop new drive belt over motor shaft and stretch other end over floor brush in the space provided between the bristles.
3. Place ends of floor brush down into slots on sides as shown.
4. Place ends of floor brush down into slots on sides as shown.
5. Turn floor brush by hand several times in the direction of the motor shaft. If properly installed, drive belt will align itself on floor brush.
6. Replace brush cover and six screws.





## Problem solving

### WARNING:

To reduce the risk of electric shock, turn power OFF and disconnect plug from electrical outlet before performing maintenance or troubleshooting to the vacuum cleaner.

### Vacuum cleaner won't run: Possible causes

1. Vacuum cleaner is not plugged in
2. Blown fuse/tripped breaker

### Remedies

1. Check electrical plug
2. Check/replace fuse or reset breaker

Vacuum cleaner won't pick up dirt: Possible causes	Remedies
1. Dust cup is full	1. Empty dust cup
2. Filter dirty	2. Check, remove debris or clean
3. Hose not secure	3. Check to be sure hose is snapped into place at both ends
4. Dust cup not in place	4. Make sure dust cup is fully inserted and dust cup release handle is pushed in completely
5. Vacuum path clogged	5. Visually check air passageway, hose inlet, and hose for anything that might be obstructing the vacuum path. Carefully remove blockage
6. Rotating power brush drive belt broken	6. Replace drive belt
7. Drive belt stretched	7. Check drive belt area and remove obstructions Replace drive belt if necessary
8. Floor brush bristles worn	8. Replace floor brush
9. Floor brush jammed	9. Remove floor brush and clean debris from brush and ends Check drive belt for any damage

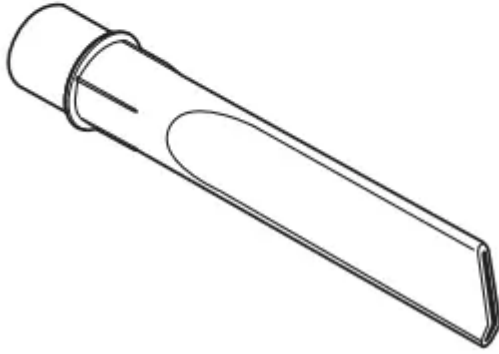
## Replacement Parts



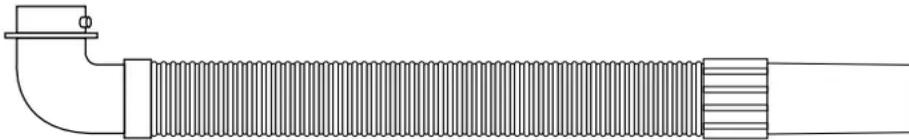
1



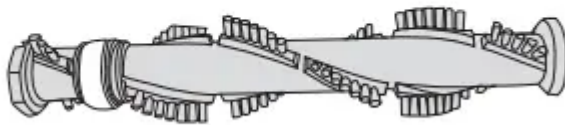
2

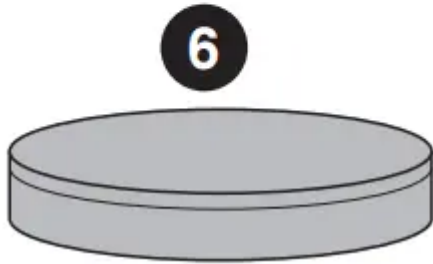
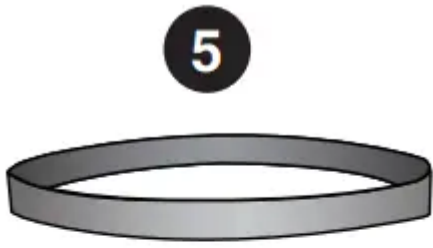


3



4





Item	Part No.	Part Name
1	E0101	Brush Tool
2	E0102	Crevice Tool
3	E0103	Hose
4	E0104	Brush Roll
5	E0105	Belt
6	E0106	Bin Filter

**Warning**

This content is compiled from multiple sources and is provided for reference purposes only. It may not be complete or fully applicable to all situations. If you are unable to resolve your issue, please contact the product manufacturer or an authorized service provider for official support.

