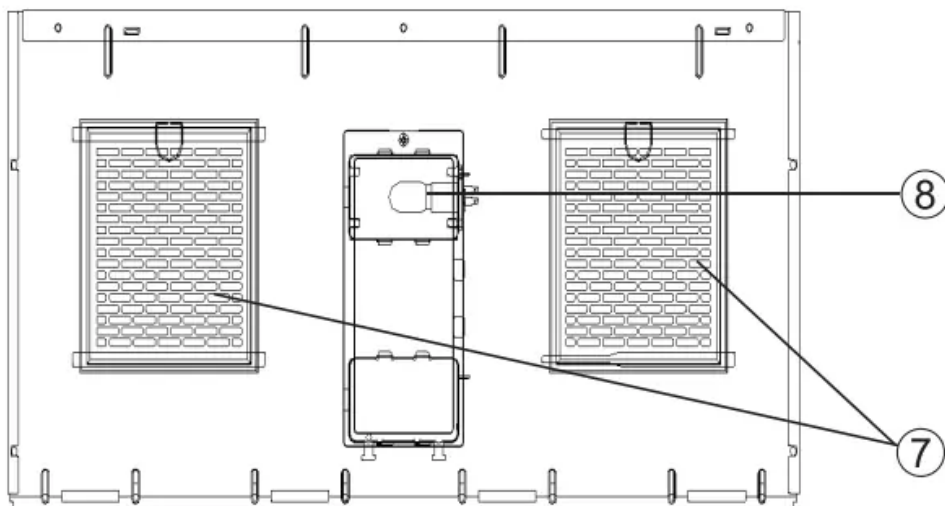
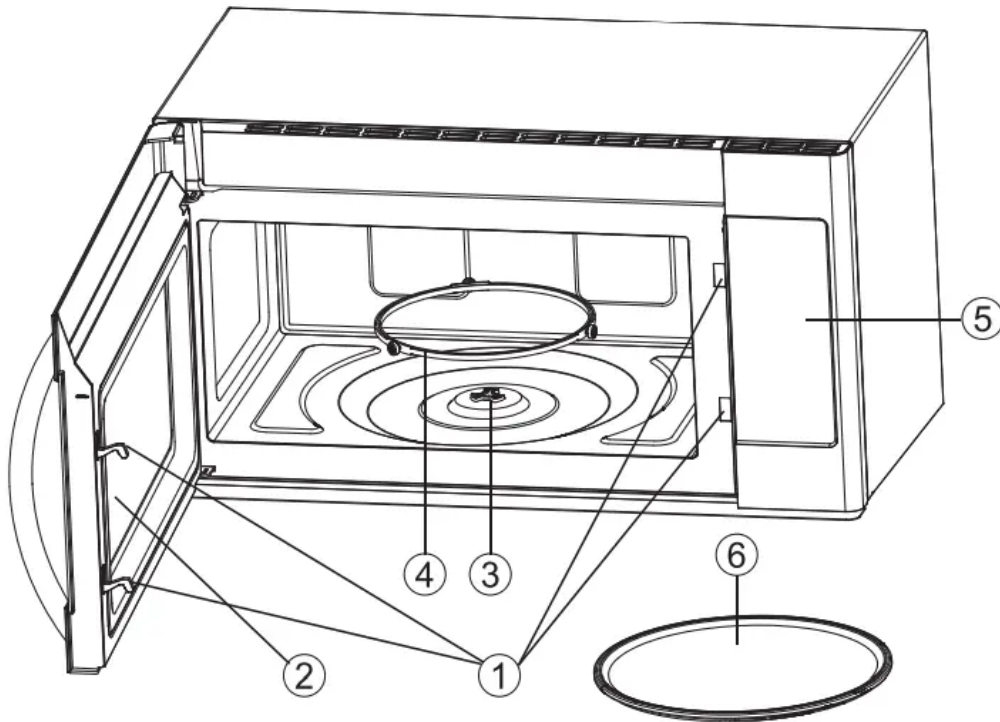


## PART NAMES

### Microwave features



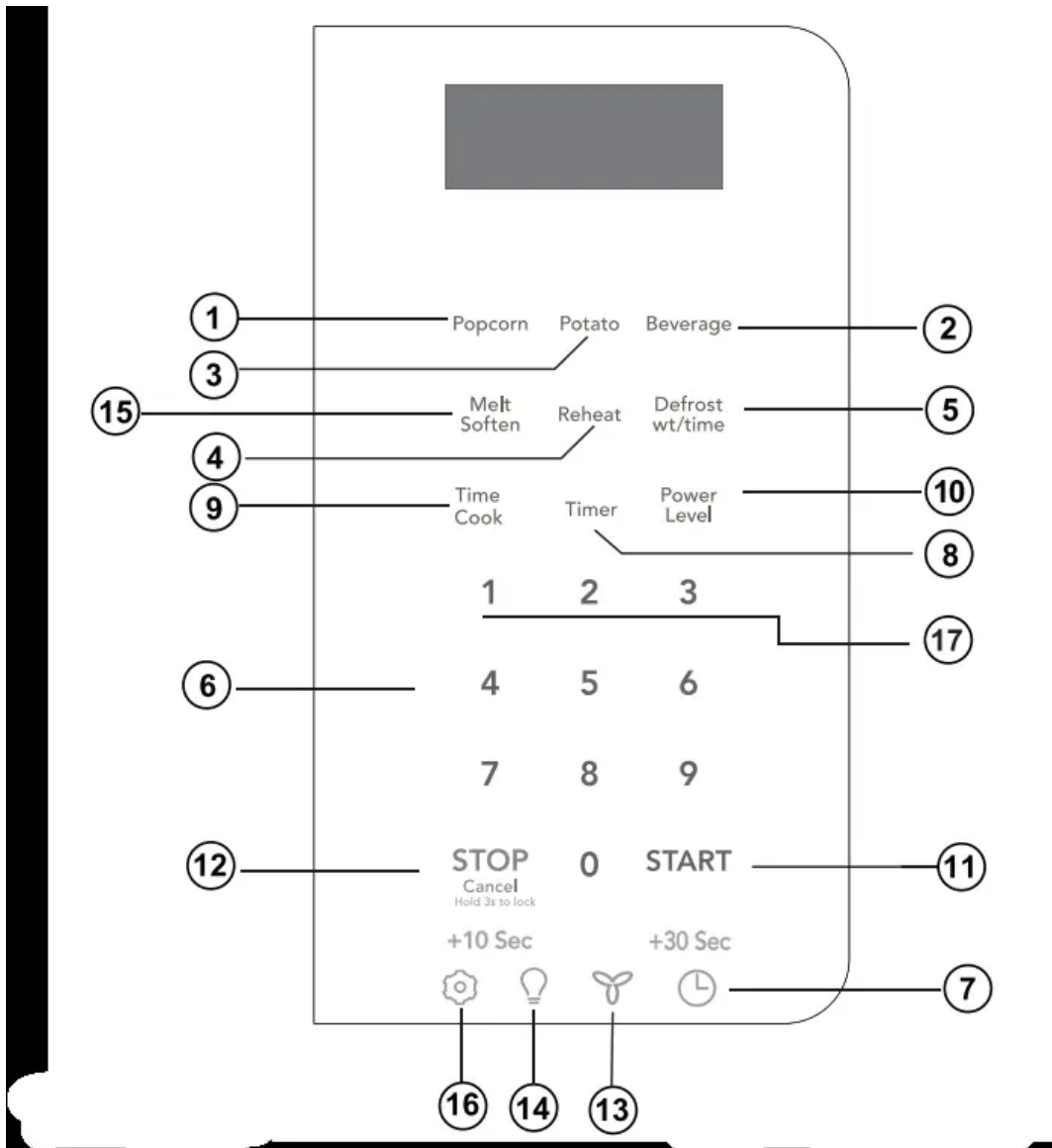
1. Door Safety Lock System

2. Oven Window

3. Shaft

- 4. Roller Ring
- 5. Control Panel
- 6. Glass Tray
- 7. Filter
- 8. Cooktop Lamp

## CONTROL PANEL



(1) Popcorn (P16)	(11) START (P12)
(2) Beverage (P16)	(12) Stop/Cancel (P12)
(3) Potato (1-4 potatoes) (P16)	(13) Exhaust (High/Low/Off) ~ Use to turn the exhaust fan on. off. or to adjust fan speed. (P10)
(4) Reheat (3 different settings) (P14)	(14) Surface Light ~ Press this pad to turn the surface lights on or off. (P10)
(5) Defrost (by time or weight) (P13)	(15) Melt Soften (P14)
(6) Numeric pads (0 thru 9)	(16) Settings (P10)
(7) Clock Settings (P10)	(17) Ready Set (P16)
(8) Timer (P10)	
(9) Time Cook (P11)	
(10) Power Level (10 power levels available) (P11)	

## BEFORE OPERATING


### Settings

The microwave oven has settings that allow you to customize the operation for your convenience. Below is the table showing the various settings. Touch the **Settings** key multiple times to scroll to the desired setting function.

Key press	Option
<b>Settings</b> x1	Sound Low/nor/Hi/Off(nor=Normal)
<b>Settings</b> x2	Weight lb/kg
<b>Settings</b> x3	Clock ON/OFF
<b>Settings</b> x4	Demo

### Setting the clock

**Example: set a 12-hour clock at 9:00**

1. Touch Clock pad once.	
2. Enter time using number pads.	9 0 0
3. Touch START pad again.	START

## Setting the timer


**Example: setting timer for 5 minutes:**

1. Touch Timer pad once.	Timer
2. Enter desired time using number pads.	5 0 0
3. Touch START pad.	START

Timer count down does not stop even if the door is opened. To stop/cancel the timer, press the **Stop/Cancel** key once. When the timer has reached the end of set time, you will hear beep alerts indicating the timer has run out.


## Exhaust Low / High / Off

The exhaust ventilation removes steam and other cooking vapors from the cooking surface of the range below the microwave oven.

To operate the exhaust vent, Touch the <b>Exhaust Low/High/Off</b> pad once for the Low speed setting. Touch the pad again to choose the High speed setting and a 3rd time to turn the exhaust ventilation off.	
---	---

Note: If the temperature gets too hot around the microwave oven, the fan in the exhaust vent hood will automatically turn on at the High setting to cool the oven. The fan will automatically turn off when the internal parts are cool. When this occurs, the vent cannot be turned off.

## Surface Light / On / Off


Touch the <b>Surface Light/On/Off</b> pad once for a cooking surface light. Press the pad again to turn the light off.	
--	---

## Control Lock


You may lock the control panel to prevent the microwave from being accidentally started or used by children.

The control lock feature is very useful when cleaning the control panel. The lock will prevent accidental programming when wiping the control panel clean.

### Example: to set the control lock ON:

Touch and hold the <b>Stop/Cancel</b> pad for more than 3 seconds. The Lock icon will appear in the display window along with 1 beep.	
---	---

### Example: to change the control lock from ON to OFF:

Touch and hold the <b>Stop/Cancel</b> pad for more than 3 seconds. The Lock icon will disappear in the display window.	
--	---

## MANUAL COOKING

### Heating with high power level

#### Example: to heat for 5 minutes at 100% power:

1. Press <b>Time Cook</b> pad.	Time Cook
2. Use the number pads to enter desired heating time (cook time may be set up to 99 minutes and 99 seconds).	5 0 0
3. Touch <b>START</b> pad.	START

When heating has finished you will hear beeps and "End" will display.

### Heating with lower power levels

Using the highest power level to heat foods with does not always give the best results when some types of food need slower cooking, such as roasts, baked goods or custards. Your oven has nine other power levels you may choose.

**Example: to heat for 4 minutes at 70% power:**

1. Press <b>Time Cook</b> .	Time Cook
2. Use the number pads to enter desired heating time (cook time may be set up to 99 minutes and 99 seconds).	4 0 0
3. Press <b>Power Level</b> pad 4 times power level 7(70% power). <b>PL-70</b> appears in the display (70 % power).	Power Level
4. Press <b>START</b> pad.	START

When heating has finished you will hear beeps and "End" will display.

## Heating with multiple cooking stages

For best results, some microwave recipes call for different power levels or different lengths of time for cooking. Your microwave may be set to change from one stage to another automatically (2 stages maximum).

**Example: to cook food for 3 minutes at 80% power and then 50% power for 6 minutes 30 seconds:**

1. Press <b>Time Cook</b> .	Time Cook
2. Use the number pads to enter heating time for the 1 st stage (cook time may be set up to 99 minutes	3 0 0
3. Press <b>Power Level</b> pad 3 times for <b>PL 80</b> (80 % power).	Power Level
4. Press <b>Time Cook</b> pad for 2nd stage.	Time Cook
5. Use the number pads to enter heating time for the 2nd stage (cook time may be set up to 99 minutes and 99 seconds).	6 3 0
6. Press <b>Power Level</b> pad for 2nd stage.	Power Level
7. Press <b>Power Level</b> pad for 6 times for <b>PL50</b> (50 %).	50%
8. Press <b>START</b> pad.	START

# CONVENIENT FEATURES


## Setting the Sound

### Turning Sound Low/nor/Hi/Off

Audible signals are available to guide you when setting and using your oven.

- **A programming tone** will sound each time you touch a pad.
- **Three tones** signal the end of a Kitchen Timer count down.
- **Three tones** signal the end of a cooking cycle.


**Example: setting audible signal off:**

1. Touch <b>Settings</b> pad once	
-----------------------------------	---

2. **Op-1** will display


Sound Level	Press
Lo	1
Nor	2
HI	3
OFF	4

3.

4. Touch <b>Settings</b> pad to confirm	
---	---

## Setting Weight lb/Kg


**Example: setting weight between pounds & kilograms:**

1. Touch <b>Settings</b> pad 2 times	
--------------------------------------	---


2. <b>Op-2</b> will display	START
-----------------------------	-------

Units	Press
Lb	1
kg	2

3.

4. Touch <b>Settings</b> pad to confirm your selection	
--	---


## TURNING OFF THE CLOCK DISPLAY

1. Touch <b>Settings</b> pad 3 times	
--------------------------------------	--

2. **Op-3** will display

Clock Dbplay	Press
ON	1
OFF	2

3.

4. Touch <b>Settings</b> pad to confirm the LED show on	
---	---

## Setting Demo Mode

### Example: setting the demo mode on

Suppose you want to enter Demo mode. **When Demo mode is ON programming functions will work in a rapid countdown mode with no cooking power.**

1. Touch **Settings** pad 4 times



2. **Op-4** will display

Demo	Press
ON	1
OFF	2

3.

4. Touch **Settings** pad to confirm when the display shows on



## Using Ready Set

1 — 2 — 3

Microwave heating or cooking may be quickly set at 100% power level for 1,2 or 3 minutes. Use the number keys 1,2 or 3 to choose the desired minutes of cook time (this option will only work using the 1,2 or 3 numeric pads):

**Example: to quickly heat for 2 minutes at 100% power:**

Touch number pads 1,2 or 3 for desired minutes of cook time.

**2**

## CLEANING AND CARE

**Disconnect the power cord or leave the door open to deactivate the oven during cleaning.**

**Disconnect the power cord before replacing filters and lights.**

### EXTERIOR

The outside surface is precoated steel and plastic. Clean the outside with mild soap and water; rinse and dry with a soft cloth. Do not use any type of household or abrasive cleaner.

### DOOR

Wipe the window on both sides with a soft cloth to remove any spills or splatters. Metal parts will be easier to maintain if wiped frequently with a soft cloth. Avoid the use of spray and other harsh cleaners as they may stain, streak or dull the door surface.

### **EASY CARE™ STAINLESS STEEL/ SMUDGE\_PROOF™ STAINLESS STEEL/ BLACK STAINLESS STEEL(SOME MODELS)**

Your microwave oven (some models) may have a Stainless Steel finish or coating. Clean the stainless with warm soapy water using a clean sponge or cloth. Rinse with clean water and dry with a soft clean cloth.

DO NOT use ANY store bought cleaners like Stainless Steel cleaners or any other types of cleaners containing any abrasive, chlorides, chlorines or ammonia. It is recommended to use mild dish soap and water or a 50/50 solution of water and vinegar.

### **TOUCH CONTROL PANEL**

Care should be taken in cleaning the touch control panel. If the control panel becomes soiled, open the microwave oven door before cleaning. Wipe the panel with a cloth dampened slightly with water only. Dry with a soft cloth. Do not scrub or use any sort of chemical cleaners. Close door and touch **STOP/Cancel**.

### **INTERIOR**

Cleaning is easy because little heat is generated to the interior surfaces. To clean the interior surfaces, wipe with a soft cloth and warm water. DO NOT USE ABRASIVE OR HARSH CLEANERS OR SCOURING PADS. For heavier soil, use baking soda or a mild soap; rinse thoroughly with hot water. The round wire rack and shelf can be cleaned with hot soapy water, rinsed and dried.

### **WAVEGUIDE COVER**

The waveguide cover is located on the right side in the microwave oven cavity. It is made from mica so requires special care. Keep the waveguide cover clean to assure good microwave oven performance. Carefully wipe with a damp cloth any food splatters from the surface of the cover immediately after they occur. Built-up splashes may overheat and cause smoke or possibly catch fire. DO NOT REMOVE THE WAVEGUIDE COVER.

### **ODOR REMOVAL**

Occasionally, a cooking odor may remain in the microwave oven. To remove, combine 1 cup water, grated peel and juice of 1 lemon in a 2-cup glass measuring cup.

Boil for several minutes using 100% power.

Allow to set in microwave oven until cool. Wipe interior with a soft cloth.

### **TURNTABLE/TURNTABLE SUPPORT**

The turntable and turntable support can be removed for easy cleaning. Wash them in mild, sudsy water; for stubborn stains use a mild cleanser and non-abrasive scouring sponge. They are also dishwasher-proof. Use upper wire rack of dishwasher. The turntable motor shaft is not sealed, so excess water or spills should be wiped up immediately.

### Surface light replacement

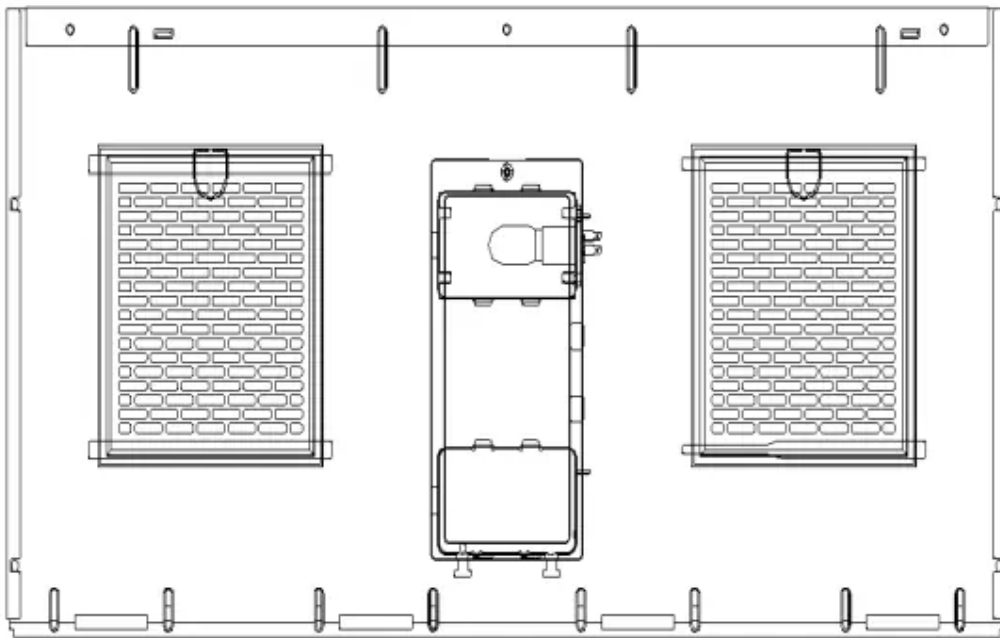
To replace light bulbs, first disconnect power to the oven at the circuit breaker panel or by unplugging.

To release cover, remove the screw on the light cover. (See illustration.)

**DO NOT USE A BULB LARGER THAN 30 WATTS.**

Close light cover and secure with screw removed in step 2.

**CAUTION:** Light cover may become very hot. Do not touch glass when light is on.



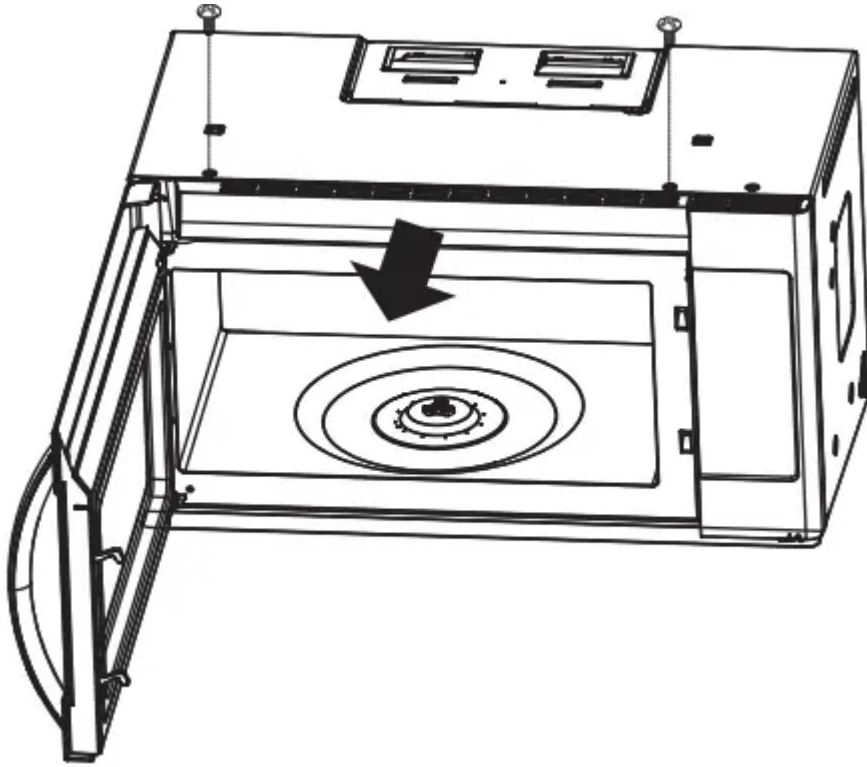
### Charcoal filter replacement

**Charcoal filter part number 5304522067**

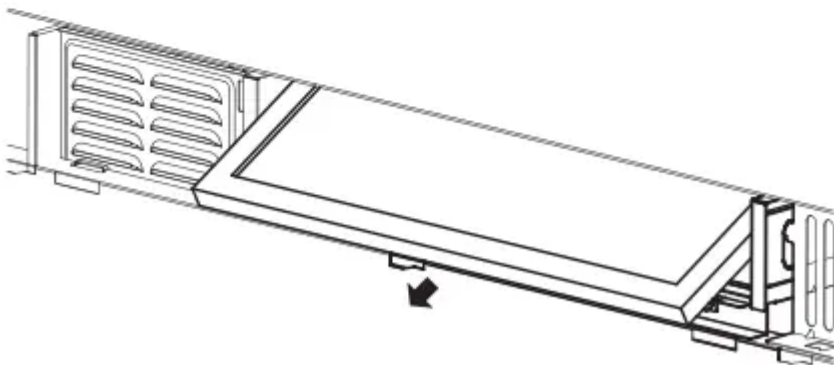
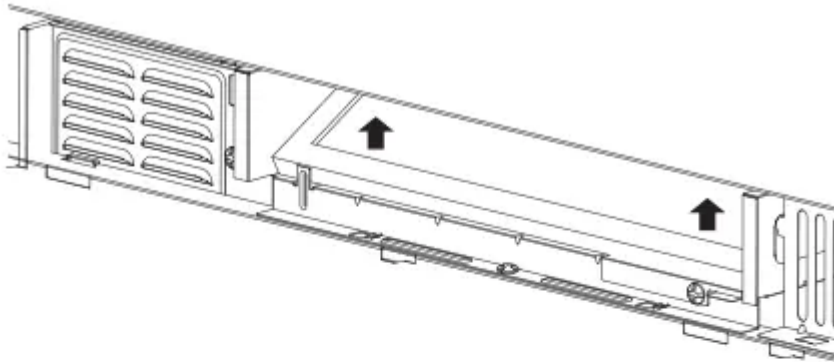
**To order parts call 800-599-7569**

Charcoal Filter when installed in your microwave oven, is used for nonvented, recirculated Installation. The filter should be changed every 6 to 12 months depending on use.

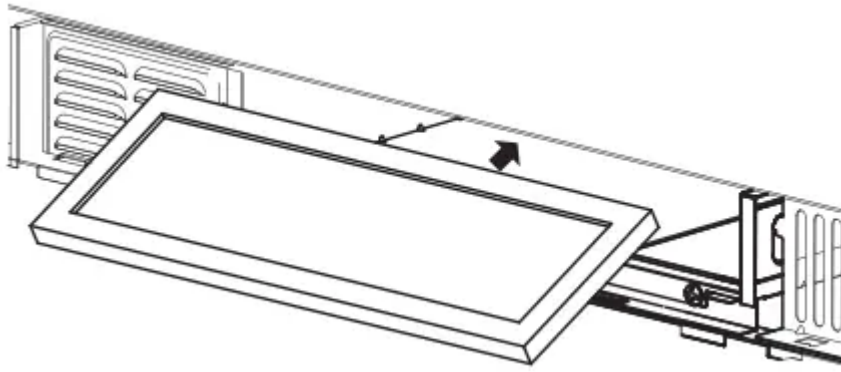
1. Disconnect power to the microwave oven at the circuit breaker panel or by unplugging.
2. Remove the vent grill mounting screws.
3. Pull the vent grill away from the unit.



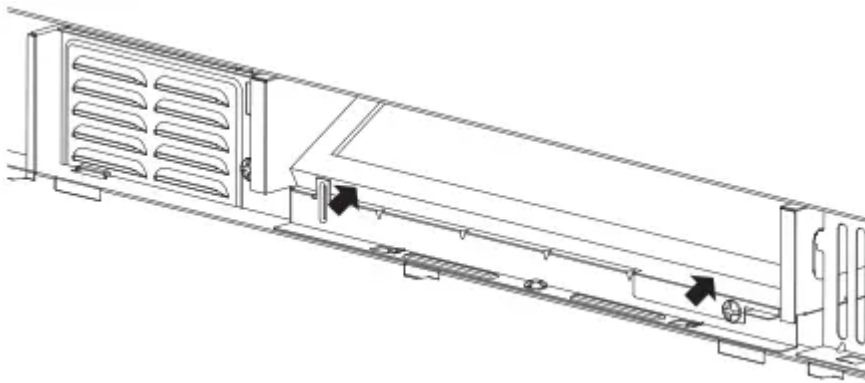
4. Remove the charcoal filter by pushing the top of the filter inwards, then pull it forward out from the unit.



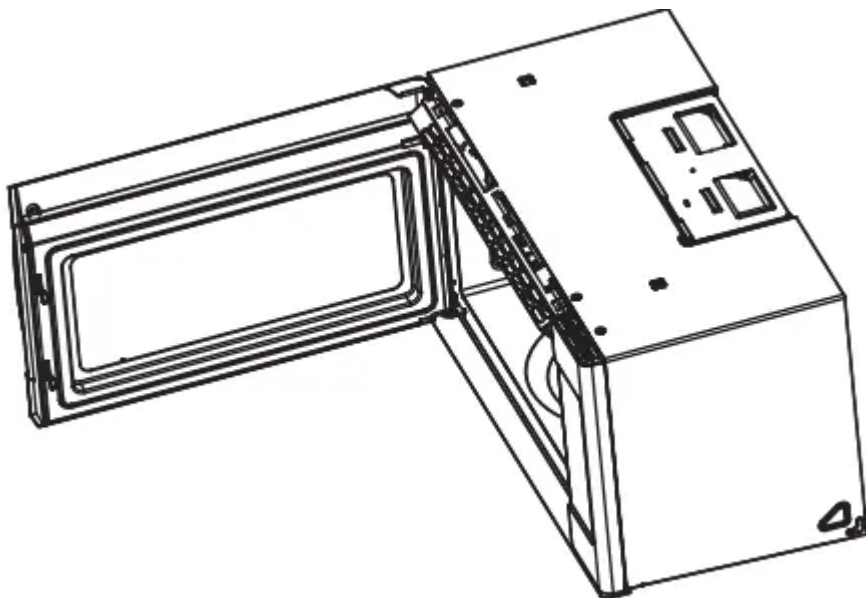
5. Slide the top of the new charcoal filter into the top area of the filter cavity.



6. Press the bottom of charcoal filter to place it into the correct position.



7. Put the vent grille bottom tabs into the slots then push the top of the vent grille into place.



8. Reinstall the vent grille screws.

### **Cleaning the exhaust filters**

The oven ventilation exhaust filters should be removed and cleaned often; generally at least once every month.

## Vent exhaust filter part number 5304522066

To order parts call 800-599-7569

### CAUTION:

Filters should be cleaned at least once a month. Never operate the fan or oven without the filters in place.

Pull down slightly on the tab toward the front of the oven and remove the filter. Repeat for the other filter. Soak the filter in a sink or dish pan filled with hot water and detergent. DO NOT use ammonia or other alkali; they will react with the filter material and darken it. Agitate and scrub with a brush to remove embedded dirt.

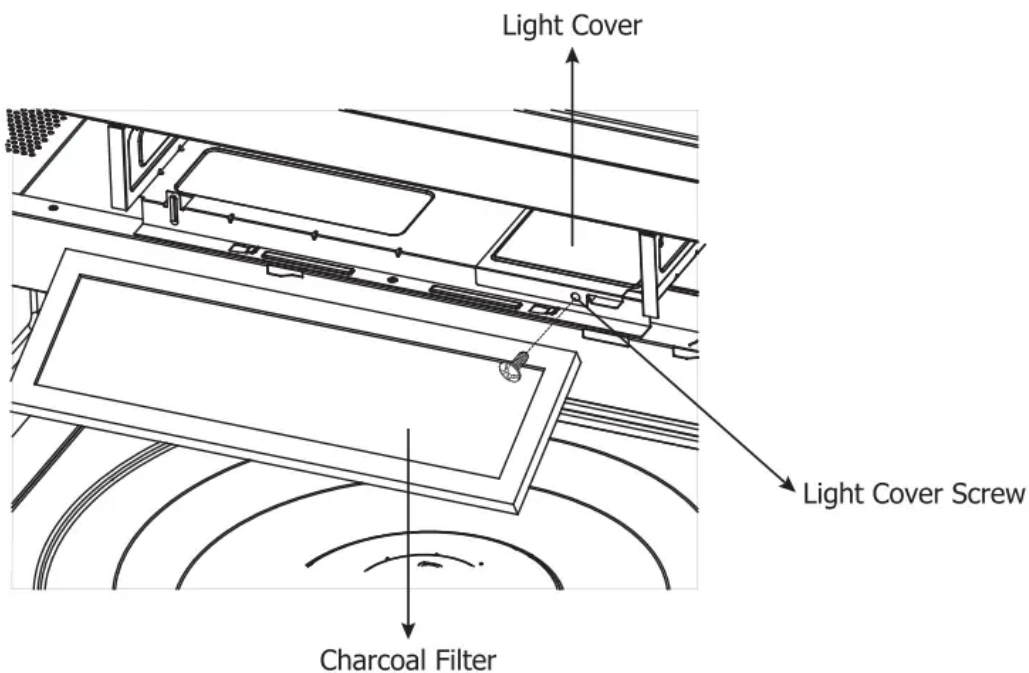
Rinse thoroughly and shake dry.

Replace by fitting the filter back into the opening.

## Oven light replacement

Remove the louver per instructions 1~3 above and charcoal filter, if used.

1. Open light cover located behind filter mounting by carefully pulling up on the front edge



2. DO NOT USE A BULB LARGER THAN 30 WATTS.

3. Replace the oven light cover by carefully pushing into place. Replace the charcoal filter, if used. Push the louver back into place and replace the louver mounting screw.

## SPECIFICATIONS

AC Line Voltage:	Single phase 120V, 60Hz, AC only
AC Power Required:	1550W 14.0 amps. (for FFMV1845VS)
Output Power*:	1000 W
Frequency:	2450 MHz (Class B/Group2)**
Outside Dimensions (including handle):	29.9 "(W) x 17.83 "(D) x 16.9 "(H)
Cavity Dimensions:	22.16 "(W) x 13.80 "(D) x 10.55 "(H)
Microwave oven Capacity***:	1.8 Cu.Ft.
Cooking Uniformity:	Turntable
Weight:	Approx. (net) 58.64 lb, (gross) 66.6 lb
Work/Night Light:	1.5*W LED, the part number is 5304522068
Oven Light:	1*30W incandescent, the part number is 5304522069

\* The International Electrotechnical Commission's standardized method for measuring output wattage. This test method is widely recognized.

\*\* This is the classification of ISM (Industrial, Scientific and Medical) equipment described in the International Standard CISPR11.

\*\*\* Internal capacity is calculated by measuring maximum width, depth and height. Actual capacity for holding food is less.

### Warning

This content is compiled from multiple sources and is provided for reference purposes only. It may not be complete or fully applicable to all situations. If you are unable to resolve your issue, please contact the product manufacturer or an authorized service provider for official support.