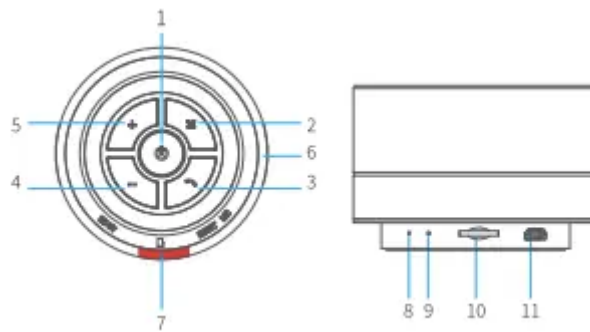


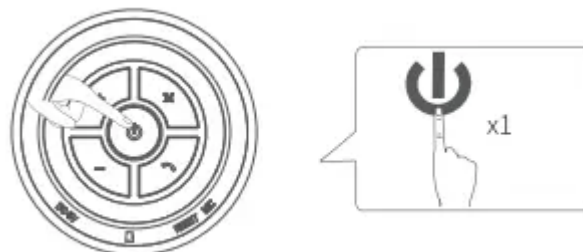
At a Glance



1. Power switch
2. Mode button
3. Multi-function button
4. Previous track/Volume - button
5. Next track/Volume + button
6. Status indicator
7. Charging indicator
8. Microphone
9. Reset hole
10. SD card slot
11. Micro USB charging port/ Aux input

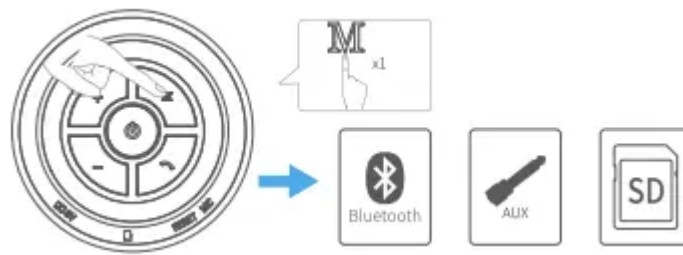
Using your A2

1. Turn on/off



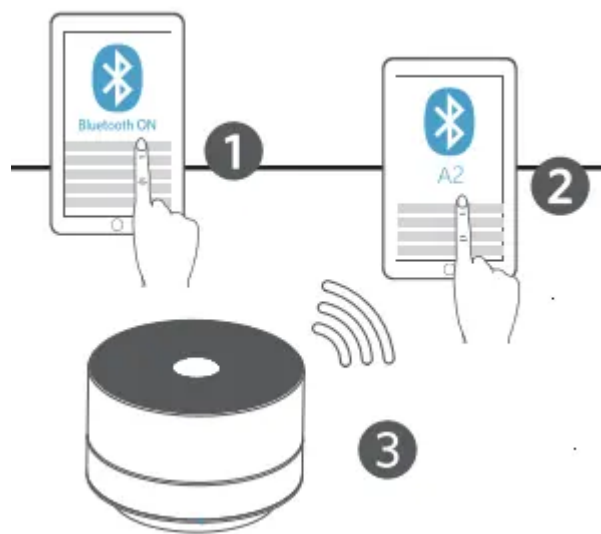
💡 LENRUE A2 will automatically turn off after 5 minutes if no music is played.

2. Select mode



💡 Switch Aux or SD card mode when plugging in an audio cable or inserting SD card.

3. Bluetooth mode



 **Rapidly flashing blue**

 **Steady blue**

Pairing mode

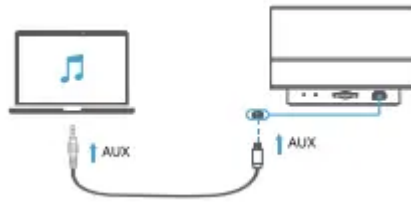
Connected to a device

💡 When turned on, LENRUE A2 will automatically connect to the last connected device if available. If not, LENRUE A2 will enter pairing mode.

💡 To pair a different device, first disable Bluetooth on the connected device or press multifunction button for 2s to re-enter pairing mode. Then repeat the pairing steps.

💡 Having connection problems? Remove LENRUE A2 from your device's Bluetooth history, ensure it's less than 1 meter away then try pairing again.

4. Connect via AUX



When using AUX mode, control audio playback via the connected device.

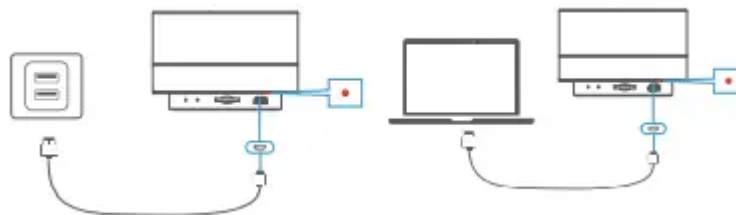
5. SD card mode



💡 Support a class 4 or above micro SD card, up to 32G

💡 Supported audio formats: MP3, MA, AV etc.

6. Charge your LENRUE A2



● Steady red

○ OFF

🔋 Charging

🔋 Full charged

💡 LENRUE A2 will beep every 5 minutes when the battery is low. After 3 times, the LENRUE A2 will turn off automatically.

Controls



Un-pair connected device and re-enter pairing mode



Play/pause



Play next/previous



Volume up/down



Answer/end call



Reject call

Specifications

 Specifications are subject to change without notice.

Input - 5V/1A

Charging Time - 2,5 hours

Play Time (varies by volume level and content) - \geq 4 hours

Size - 72 X48 xX72mm

Weight - 167g

Range - 10m/33ft

Attention

- Don 't disassemble
- Avoid extreme temperature
- Avoid dropping
- Do not submerge in water

FCC Statement

This device complies with Part 15 of the FCC Rules. Operation is subject to the following two conditions: (1) This device may not cause harmful interference. and(2) This device must accept any interference received. including interference that may cause undesired operation.

About this item

- **【Incredible life】** : High capacity, 10 hour/ 60-song playtime powered by a built-in high capacity power and lenrue's industry-leading power MANAGEMENT technology.
- **【Various output mode】** : the Bluetooth speaker supports Bluetooth Connection, 3.5mm aux cable and high capacity TF card.You can enjoy music for multiple connection ways. Experience your music in full-bodied stereo realized through high-performance drivers.
- **【Compact Metal Speaker】** : This portable speaker is made of Aluminum Alloy, absolutely not same to the other plastic speakers on the market. small size and lightweight, 2.7*2.7*1.8 inch, 200G; 33 ft Wireless range support. You can enjoy music with this small wireless Bluetooth speaker outdoor and indoor.
- **【Bluetooth 5.0 technology】** : Compatible with all Bluetooth-enabled devices. Instantly connect to your smartphone or tablet from up to 33 feet away. Sound core reconnects automatically to the last device used. Built-in mic for hands-free calls.
- **【What we offer】** : LENRUE A2 Bluetooth speakers, cables, user manual, thanks card*1, 24H friendly customer service and email support.

Note: Products with electrical plugs are designed for use in the US. Outlets and voltage differ internationally and this product may require an adapter or converter for use in your destination. Please check compatibility before purchasing.

Warning

This content is compiled from multiple sources and is provided for reference purposes only. It may not be complete or fully applicable to all situations. If you are unable to resolve your issue, please contact the product manufacturer or an authorized service provider for official support.