

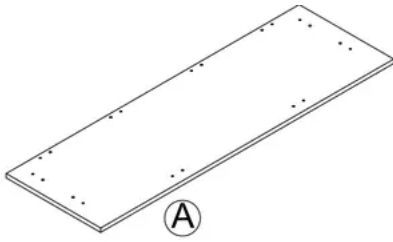
### Before starting

- Read each step carefully before starting. It is very important that each step of instruction is performed in the correct order. If these steps are not followed in sequence, assembly difficulties will occur.
- Make sure all parts are included. Most board parts are labeled or stamped on the raw edge.
- Work in spacious area, preferably on a carpet, near the place the unit will be used.
- Have the following tools close at hand.
- Do not use power tools to assemble your furniture. Power tools may strip or damage the parts.

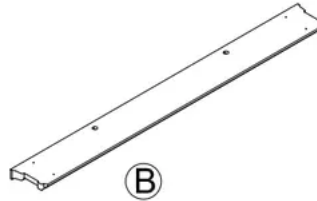
### HELPFUL HINTS

- Visit our website for assembly video clips.
- Identify, sort and count the parts before attempting assembly.
- Call our toll free number if you need assistance identifying parts.
- Compression dowels are tapped in with a hammer.
- Slides have lips only on the right side.
- Cam locks that are properly fastened on a horizontal board will face toward the center of the unit, on a vertical board the point on the lock will face the bottom.
- Back panels provide stability and support. Use all the nails provided.
- When tapping nails into a board, be sure there are equal margins on all sides to square the unit.
- Units without the back panel installed may collapse.
- Clean the product with your favorite furniture polish and a soft cloth. DO NOT USE harsh chemicals or abrasive cleaners.
- Move your new furniture carefully, with two people lift and carry the unit to it's new location.
- Never push, drag or scoot your furniture (especially on carpet).
- Your furniture can be disassembled and reassembled to move.
- Additional parts are available for a nominal fee.

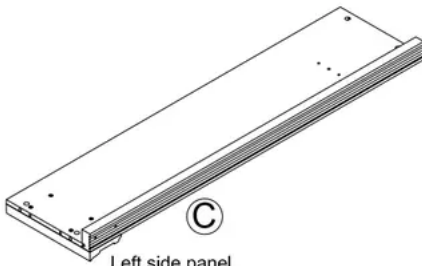
# PARTS



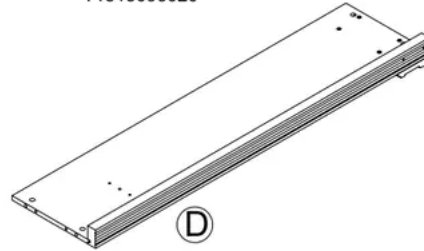
Top panel  
Panel superior  
Panneau supérieur  
T1815096010



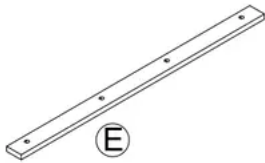
Upper front molding  
Moldura frontal superior  
Moulure avant supérieure  
T1815096020



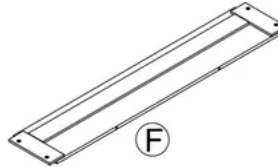
Left side panel  
Panel izquierdo  
Panneau gauche  
T1815096030



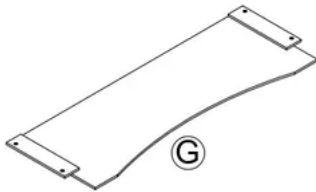
Right side panel  
Panel lateral derecho  
Panneau droit  
T1815096040



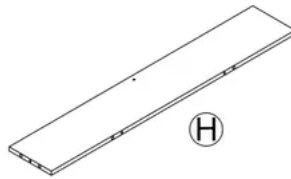
Top support  
Soporte superior  
Support du dessus  
T1815096050



Front lower panel  
Panel frontal inferior  
Panneau avant inférieur  
T1815096060



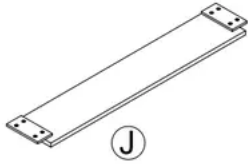
Front upper panel  
Panel frontal superior  
Panneau avant supérieur  
T1815096070



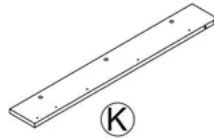
Fixed shelf  
Repisa Fija  
ÉTAGÈRE FIXE  
T1815096080



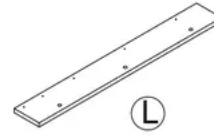
Shelf support  
Soporte de estante  
Support de tablette  
T1815096090



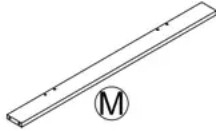
Fireplace upper hot trim  
Ribete superior de chimenea  
Garniture supérieure du foyer  
T1815096100



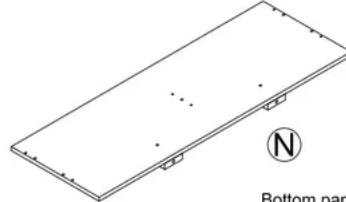
Fireplace left vertical trim  
Ribete izquierdo vertical de chimenea  
Garniture verticale gauche du foyer  
T1815096110



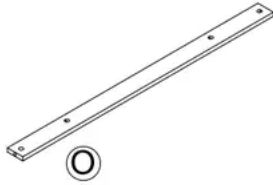
Fireplace right vertical trim  
Ribete derecho vertical de chimenea  
Garniture verticale droite du foyer  
T1815096120



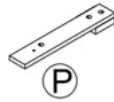
Fireplace lower trim  
Ribete inferior de chimenea  
Garniture inférieure du foyer  
T1815096130



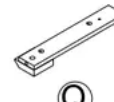
Bottom panel  
Panel inférieur  
Panneau inférieur  
T1815096140



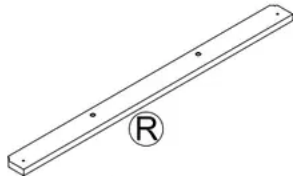
Bottom support  
Soporte inferior  
Support inférieur  
T1815096150



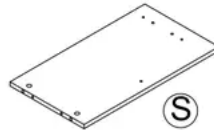
Bottom right support  
Soporte derecho inferior  
Support droit inférieur  
T1815096160



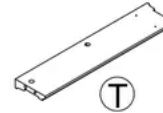
Bottom left support  
Soporte izquierdo inferior  
Support gauche inférieur  
T1815096170



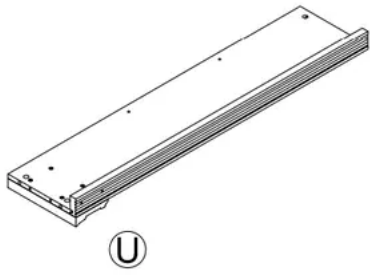
Kick  
Soporte  
Plaque de poussée  
T1815096180



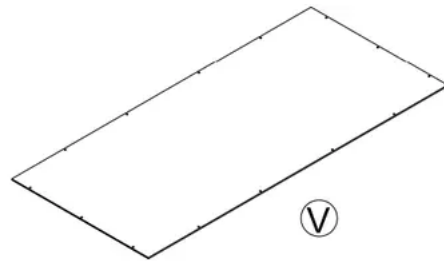
Left top panel  
Panel izquierdo superior  
Panneau supérieur gauche  
T1815096190



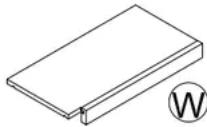
Left front molding  
Moldura frontal izquierdo  
Moulure avant gauche  
T1815096200



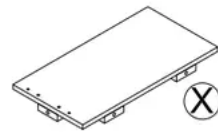
Outer left side panel  
Panel izquierdo exterior  
Panneau extérieur gauche  
T1815096210



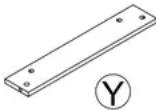
Back panel (2)  
Panel trasero (2)  
Panneau arrière (2)  
T1815096220



Left adjustable shelf (2)  
Estante izquierdo ajustable (2)  
Étagère gauche réglable (2)  
T1815096230



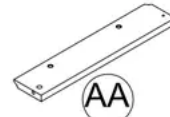
Left bottom panel  
Panel izquierdo inferior  
Panneau inférieur gauche  
T1815096240



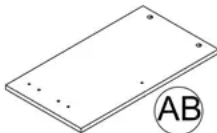
Side bottom support (2)  
Soporte lateral inferior (2)  
Support latéral inférieur (2)  
T1815096250



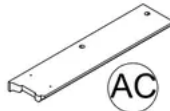
Left side kick  
Soporte derecho  
Plaque de poussée gauche  
T1815096260



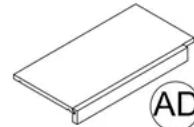
Left front kick  
Soporte izquierdo frontal  
Plaque de poussée avant gauche  
T1815096270



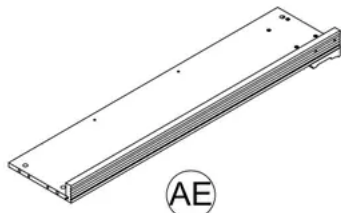
Right top panel  
Panel derecho superior  
Panneau supérieur droit  
T1815096280



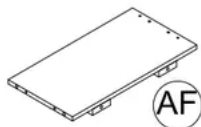
Right front molding  
Moldura derecha frontal  
Moulure avant droite  
T1815096290



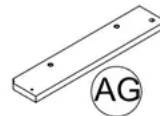
Right adjustable shelf (2)  
Estante derecho ajustable (2)  
Étagère droite réglable (2)  
T1815096300



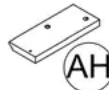
Outer right side panel  
Panel derecho exterior  
Panneau extérieur droit  
T1815096310



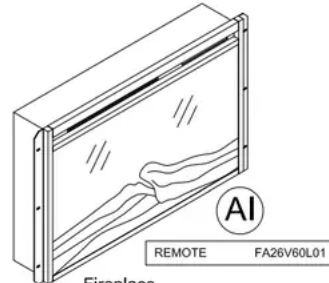
Right bottom panel  
Panel derecho inferior  
Panneau droit inférieur  
T1815096320



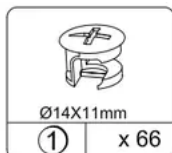
Right front kick  
Soporte derecho frontal  
Plaque de poussée avant droite  
T1815096330



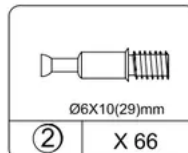
Right side kick  
Soporte derecho  
Plaque de poussée droite  
T1815096340



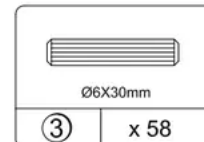
Fireplace  
Chimenea  
Foyer  
FA26V60L



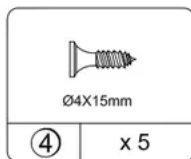
Cam lock  
Tornillo de cerradura  
Serrure de came  
TSF0001



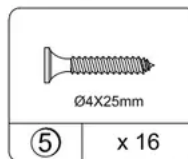
Cam bolt  
Tornillo de rosca  
Boulon de camde  
TSF0002



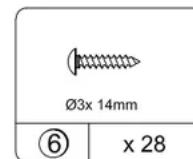
Wood dowel  
Clavija de madera  
Goujon en bois  
TSF0003



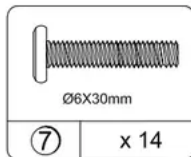
Screw  
Tornillo  
Vis  
TSF0004



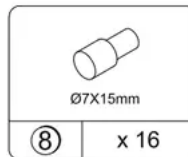
Screw  
Tornillo  
Vis  
TSF0005



Screw  
Tornillo  
Vis  
TSF0006



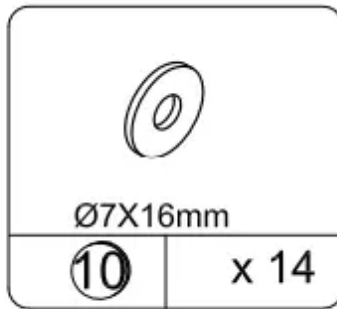
Bolt  
Tornillo  
Boulon  
TSF0007



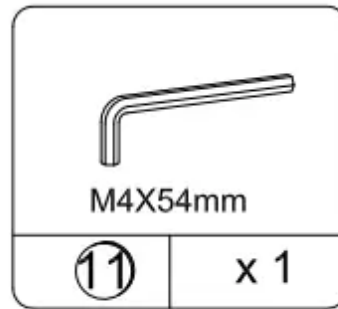
Shelf support  
Soporte de repisa  
Support de tablette  
TSF0008



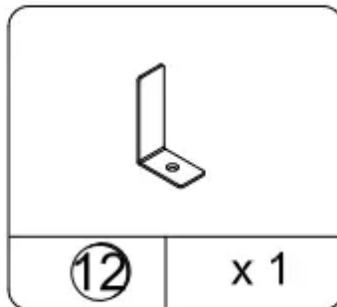
Spring washer  
Arandela de resorte  
Rondelle à ressort  
TSF0009



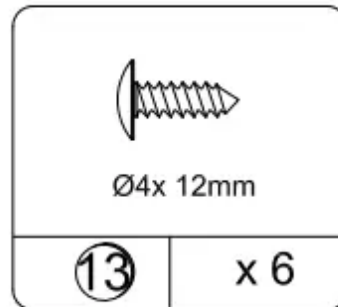
Washer  
Arandela  
Rondelle  
TSF0010



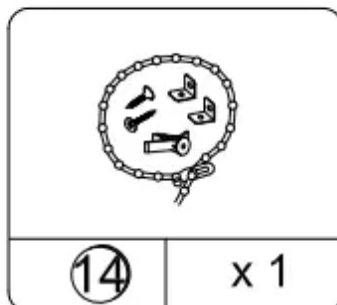
Hex key  
Llave en I  
Clé hexagonale  
TSF0011



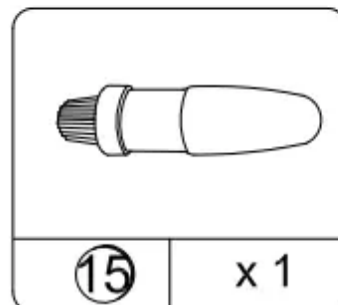
Angle Bracket  
Abrazadera  
Équerre  
TSF0012



Screw  
Tornillo  
Vis  
TSF0013

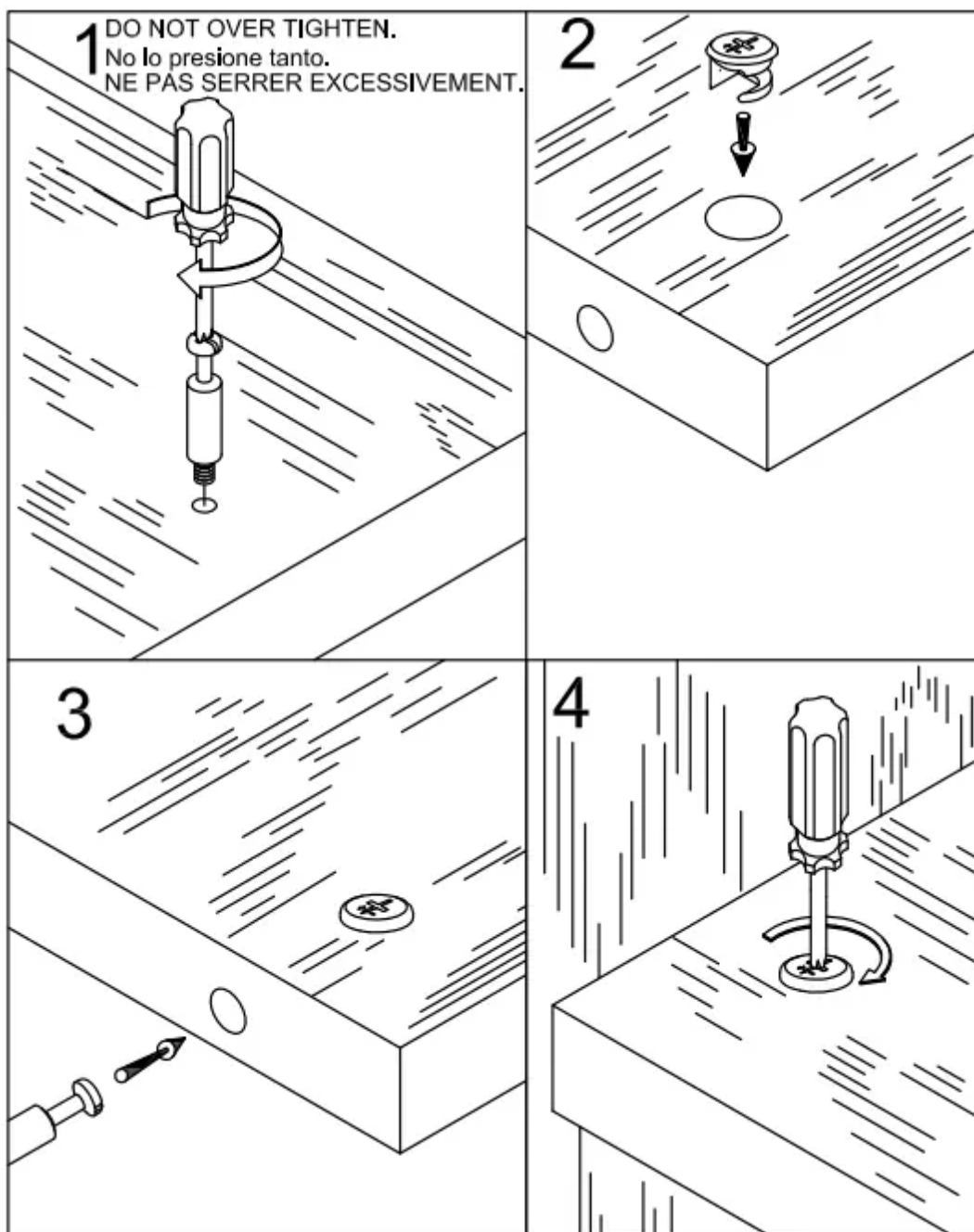


Safety strap kit  
Juego de cordón de seguridad  
Trousse de courroie de sécurité  
TSF0014

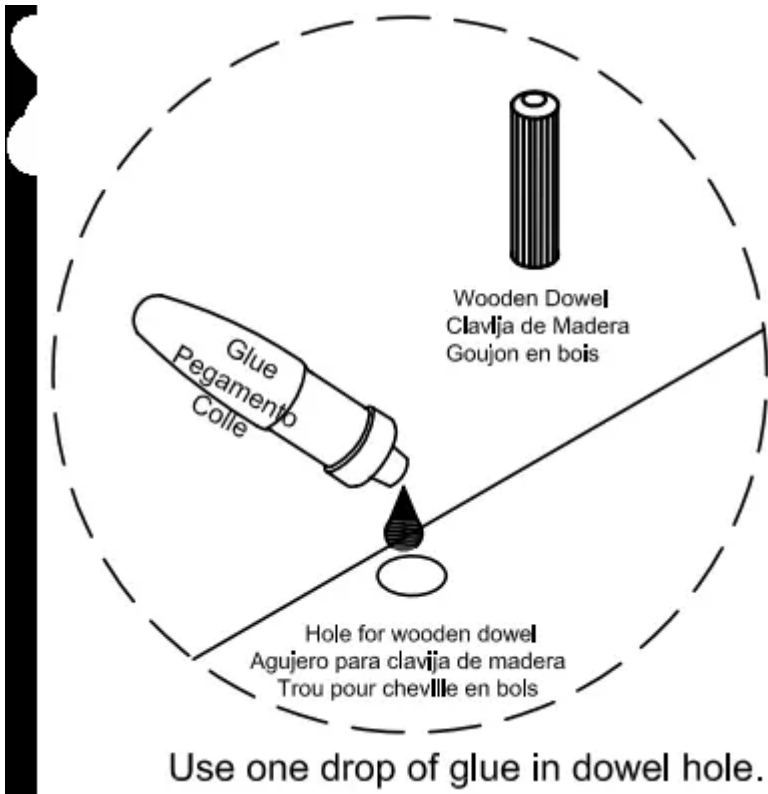
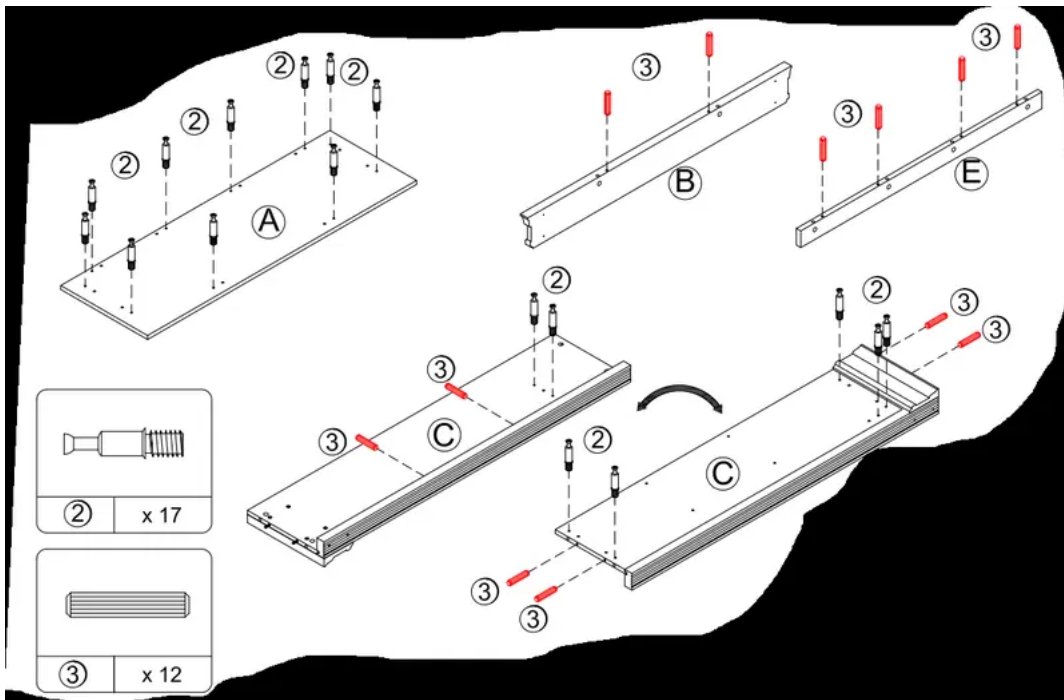


Glue  
Pegamento  
Colle  
TSF0015

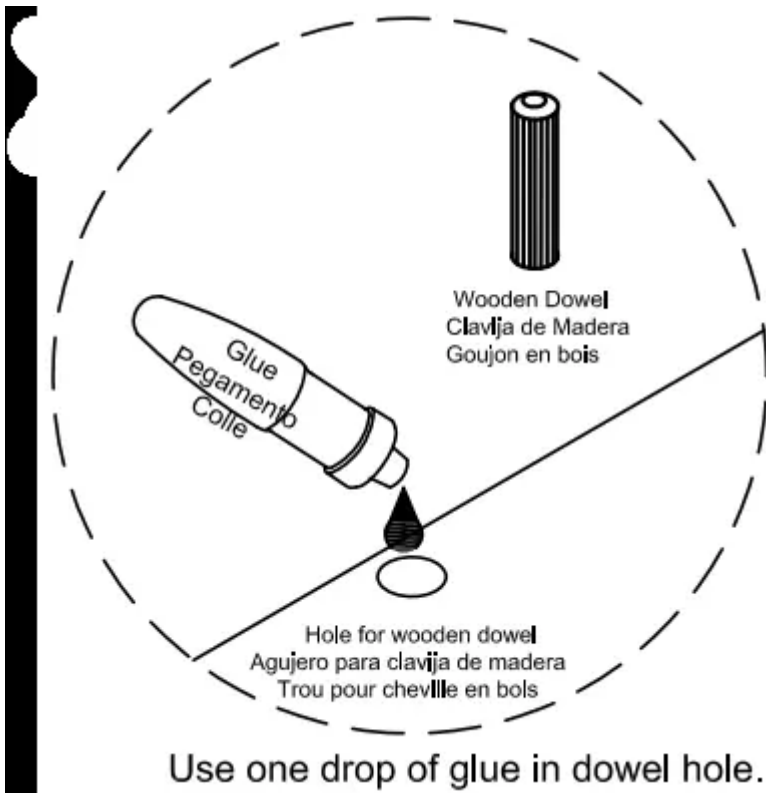
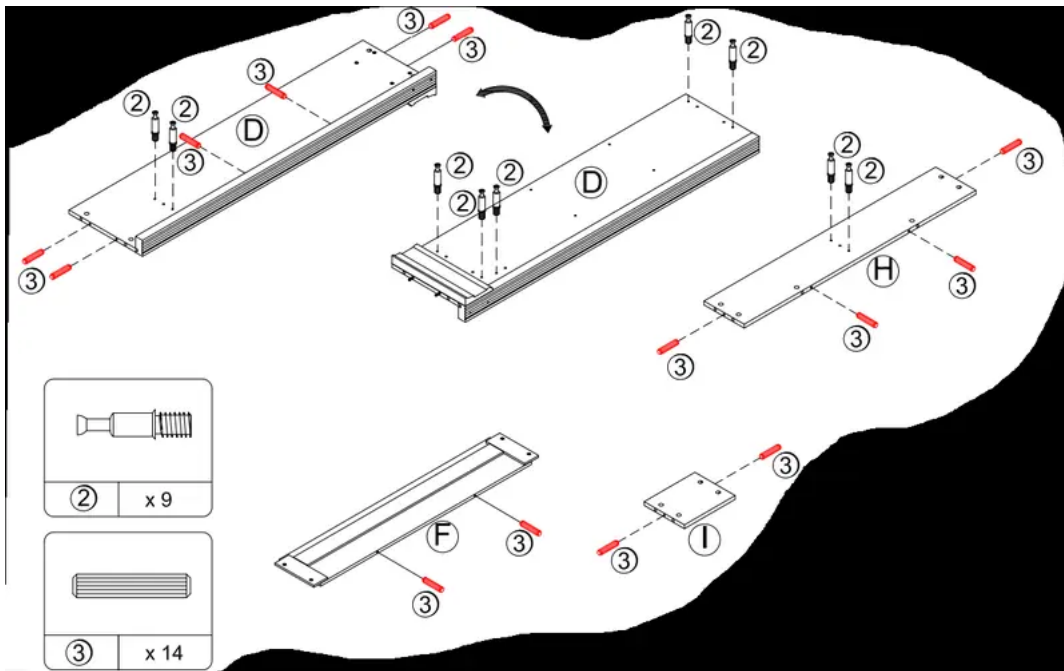
This illustration shows how the CAM fastening system work.



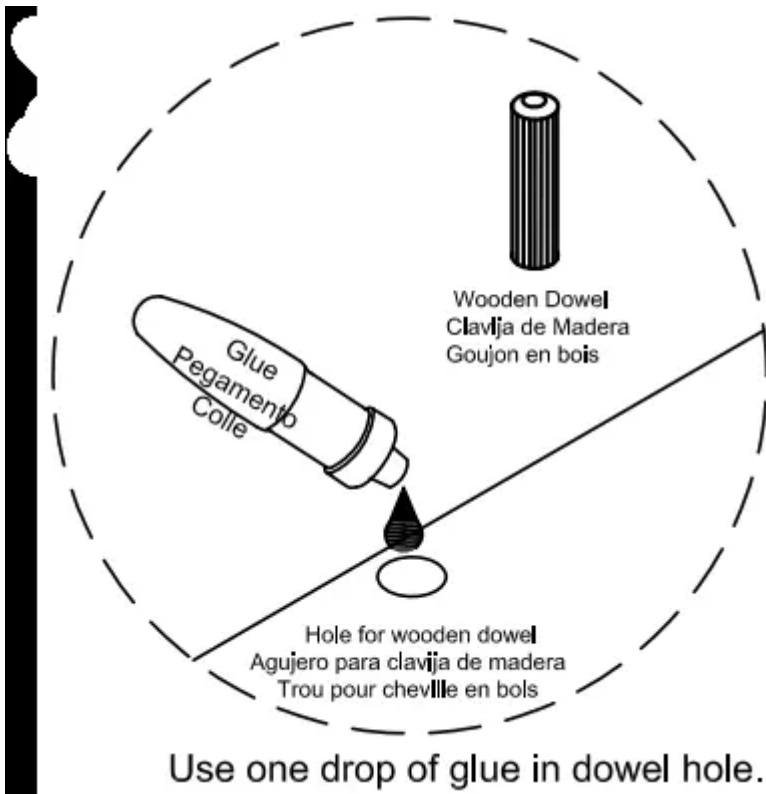
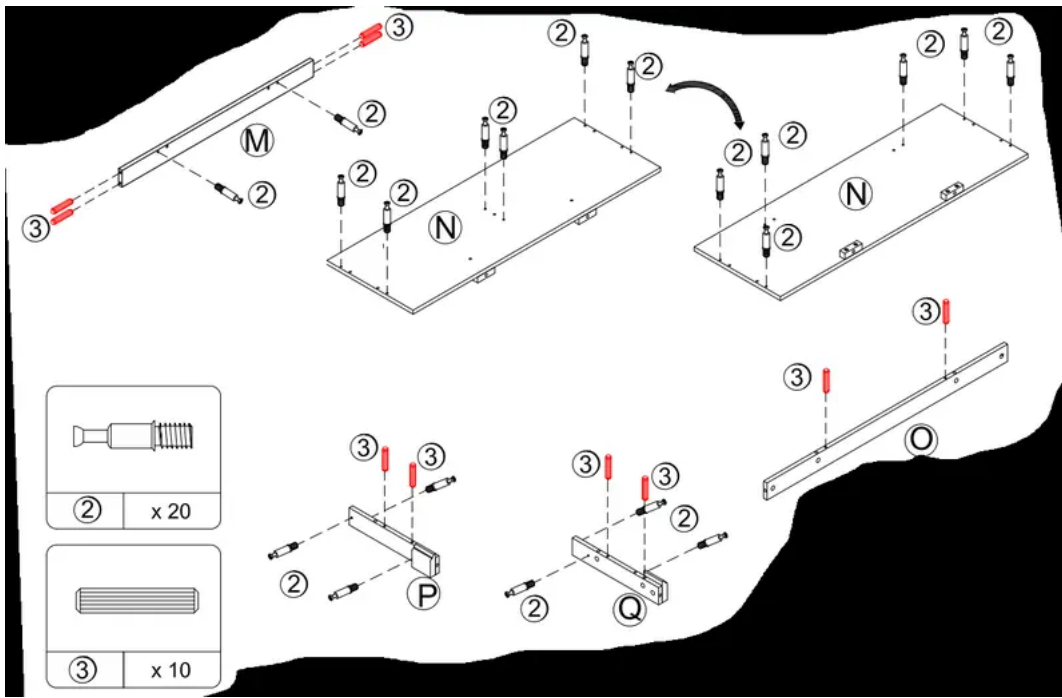
1.



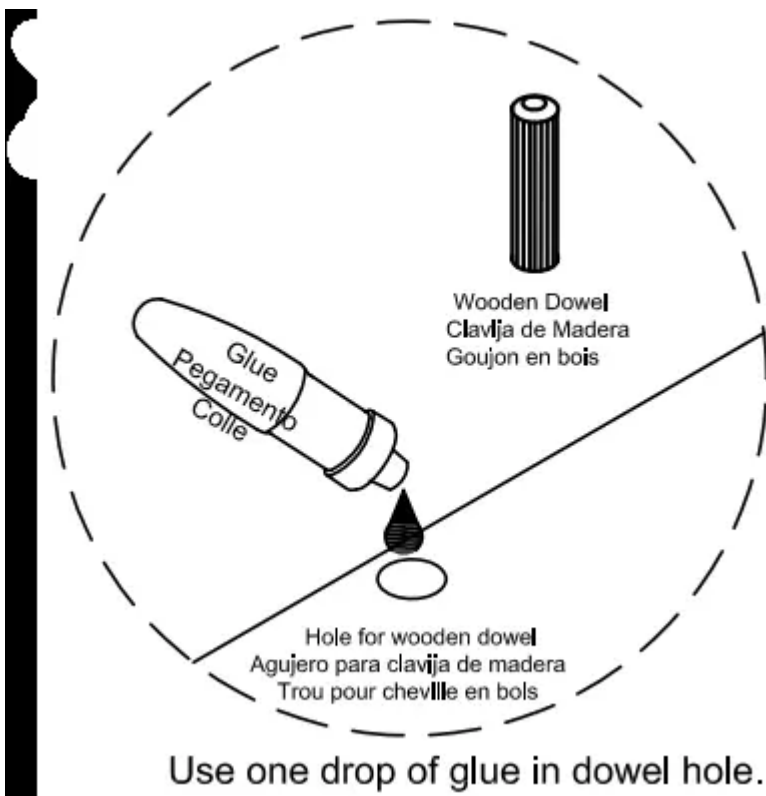
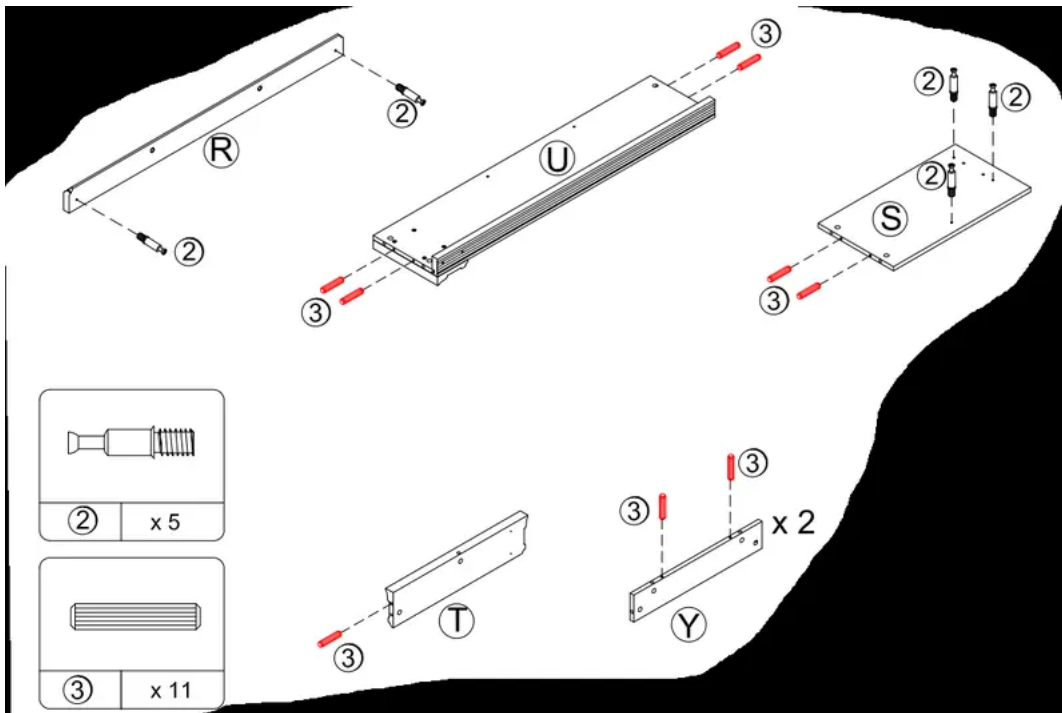
2.



3.

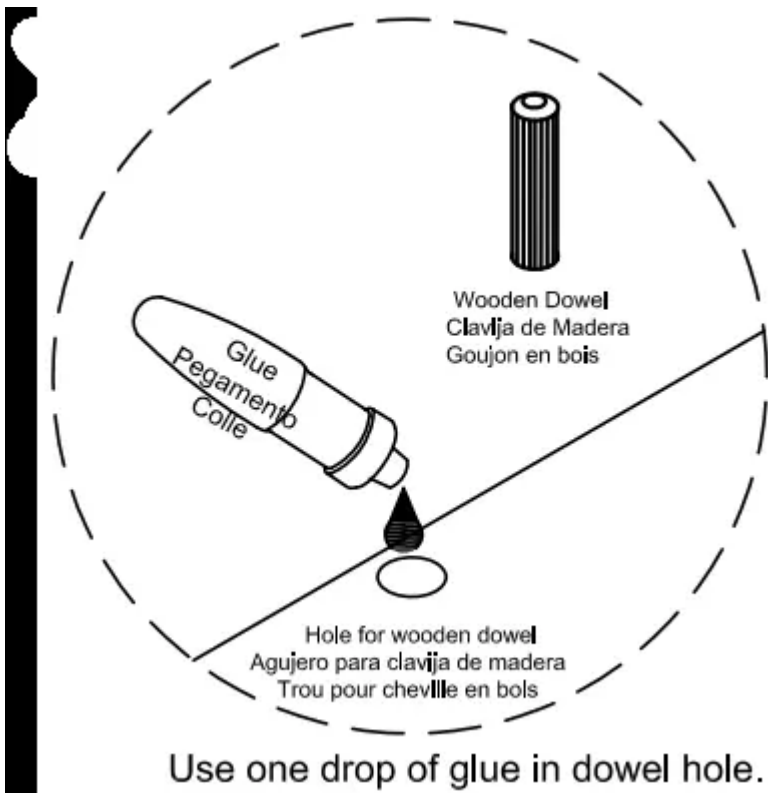
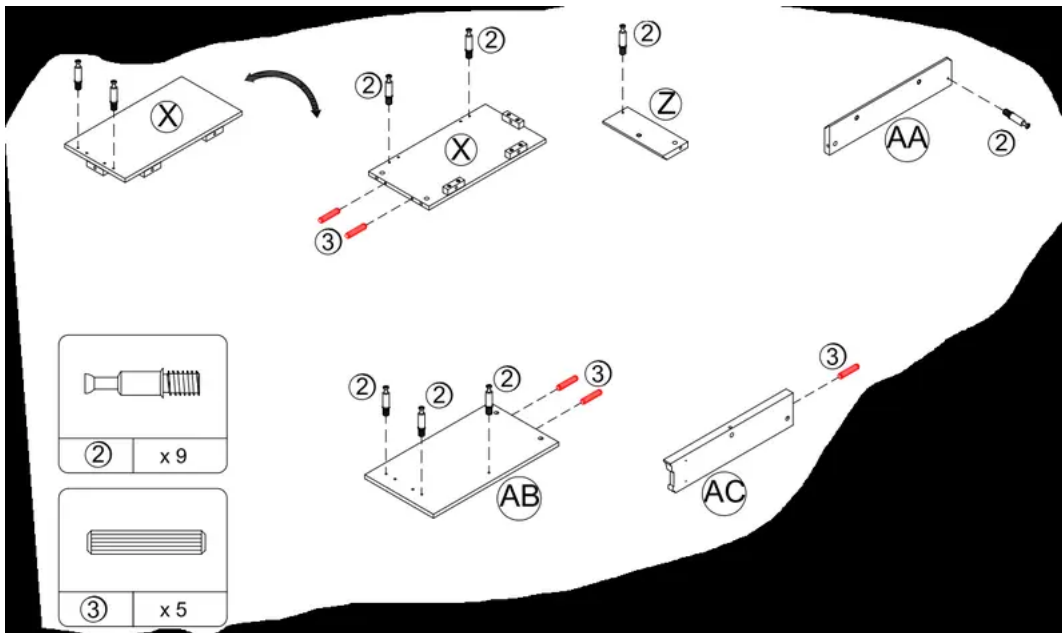


4.

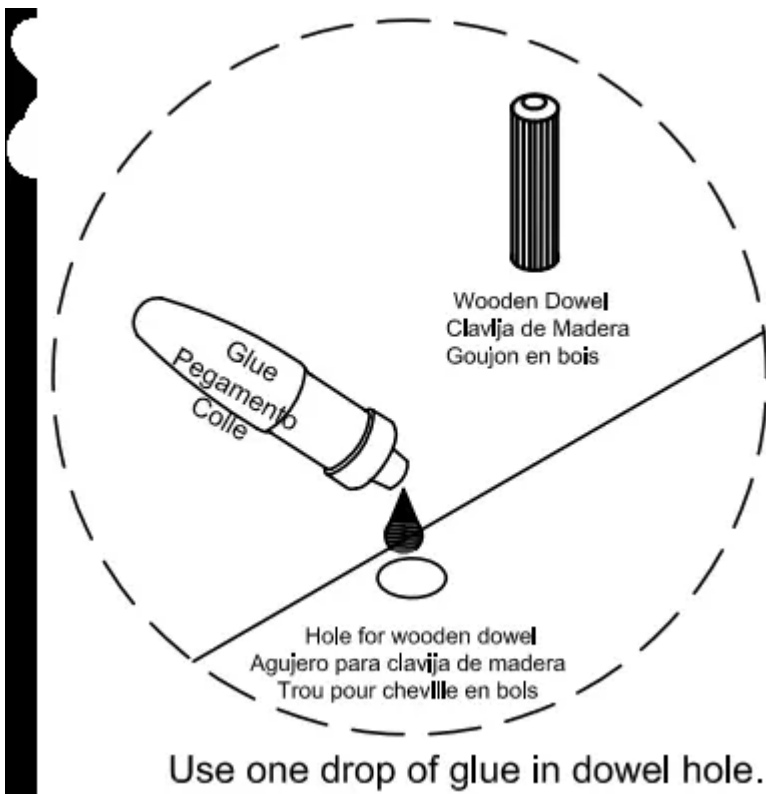
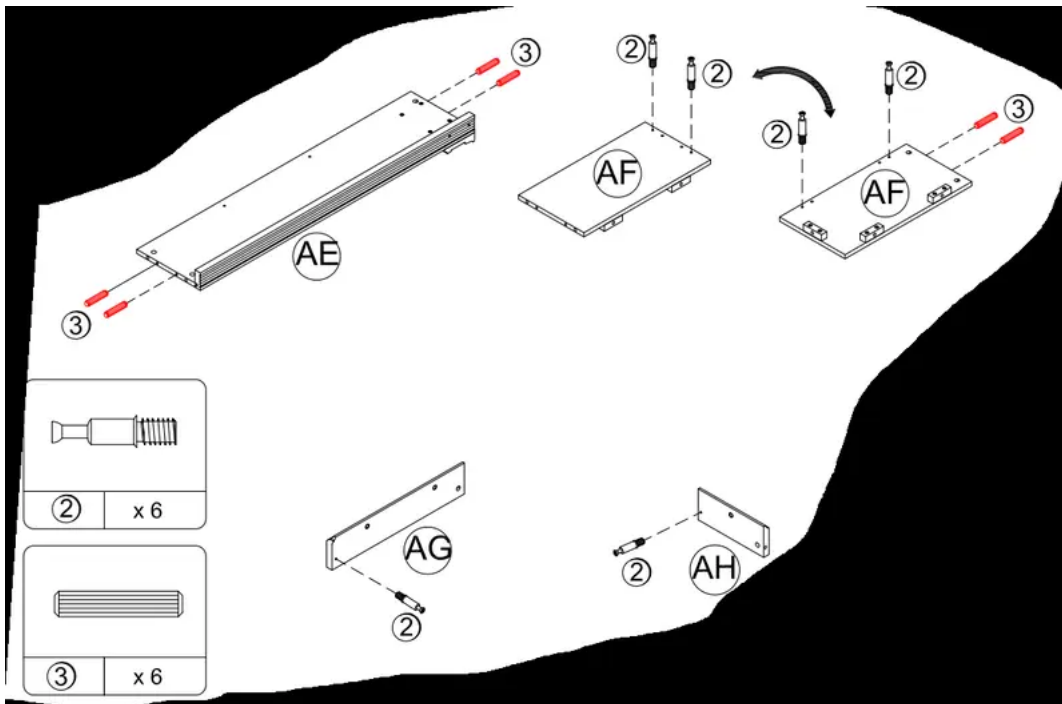


5.

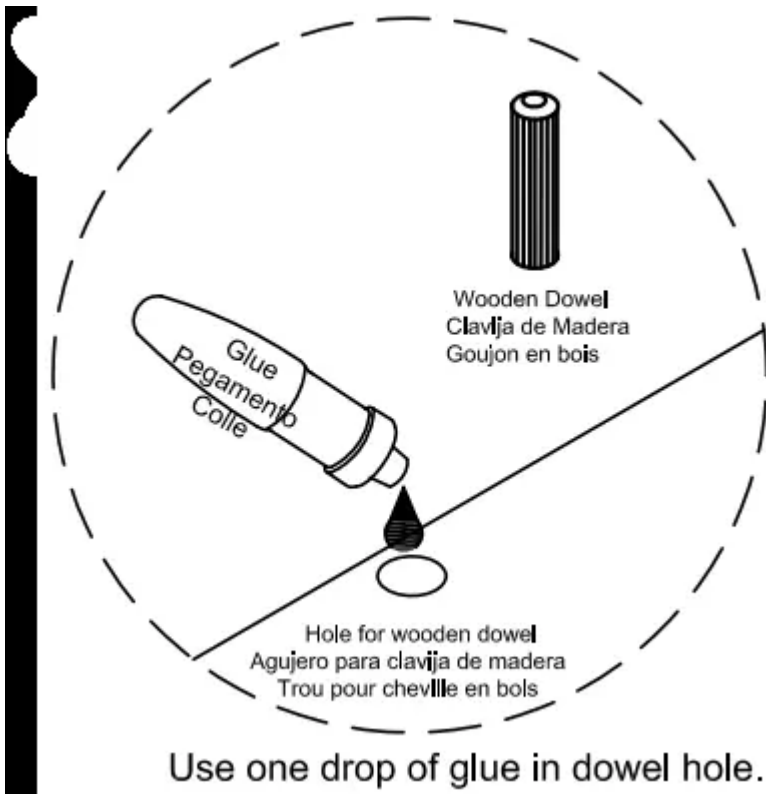
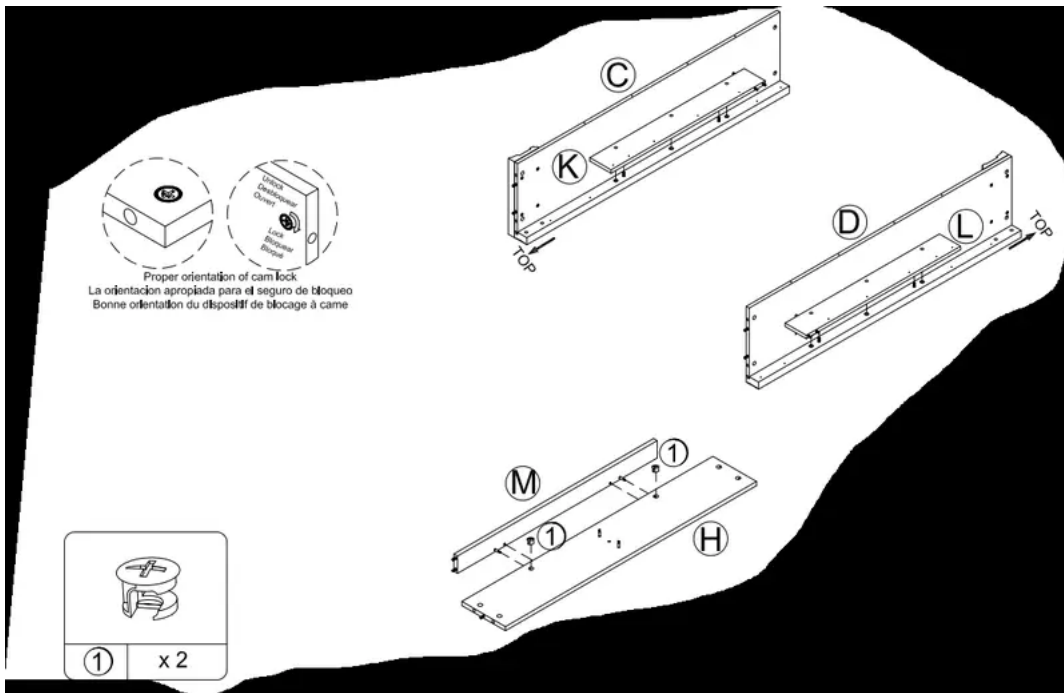




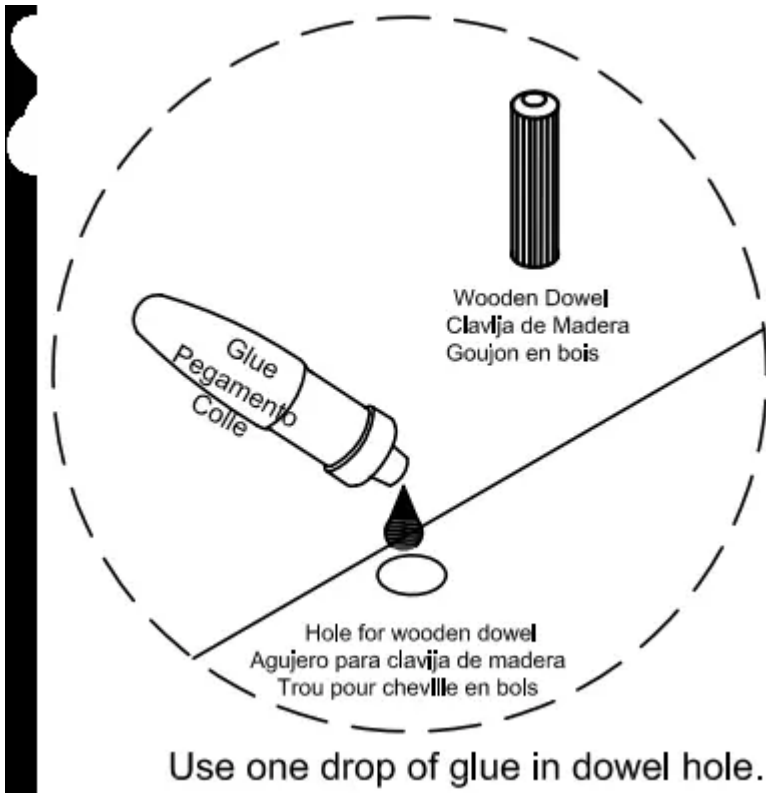
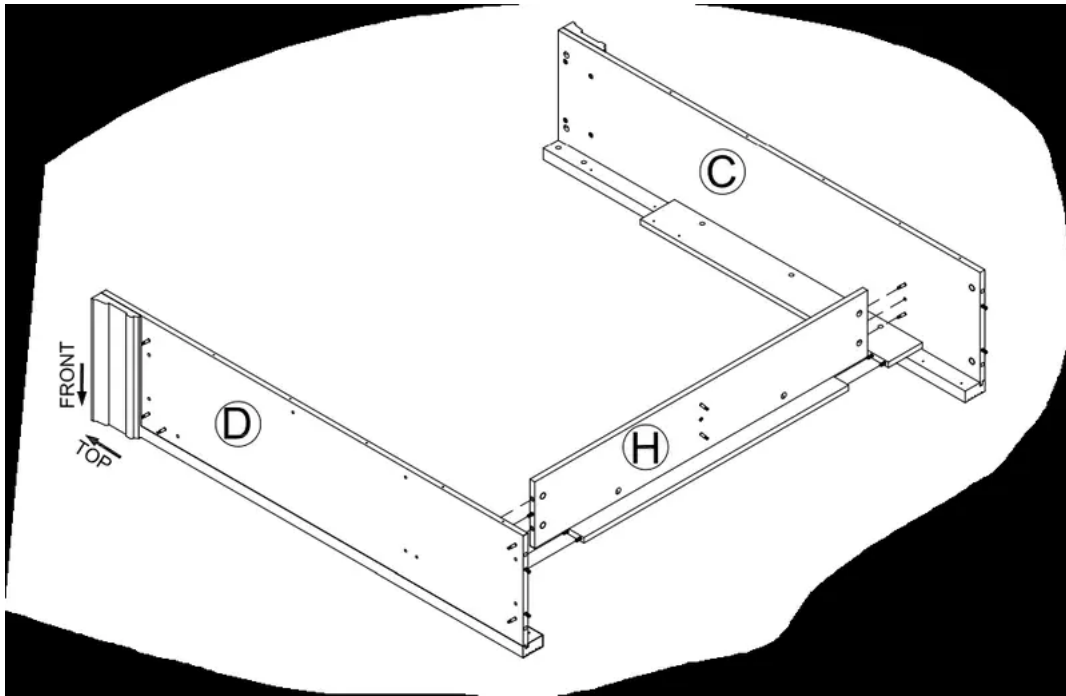
6.



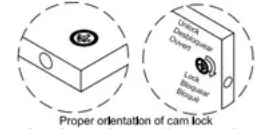
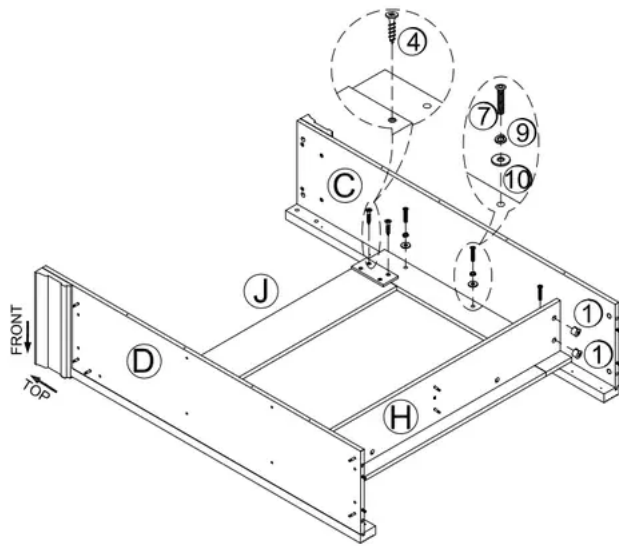
7.









8.



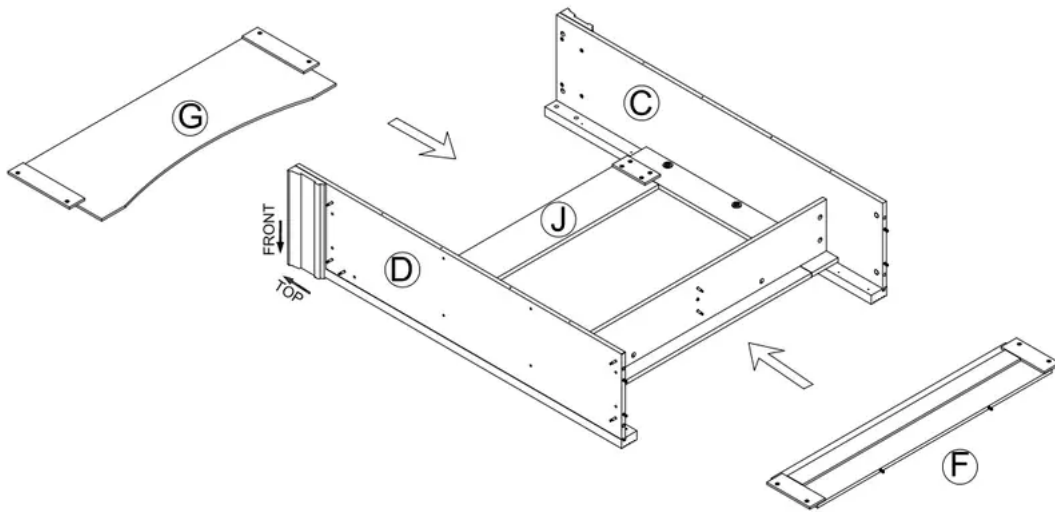
# 9



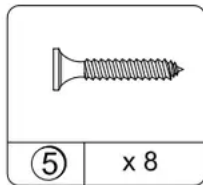
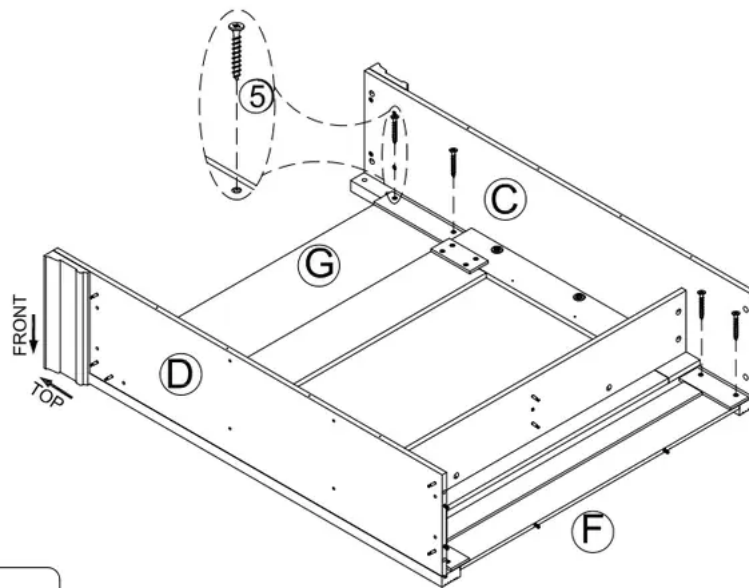
Proper orientation of cam lock  
 La orientación apropiada para el seguro de bloqueo  
 Bonne orientation du dispositif de blocage à came

					
① x 4	④ x 4	⑦ x 6	⑨ x 6	⑩ x 6	⑪

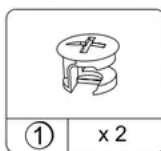
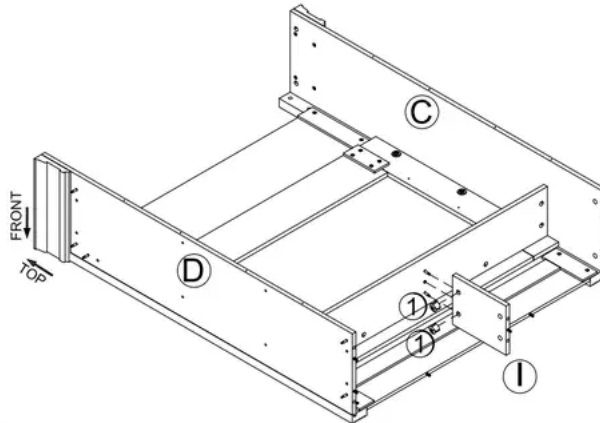
# 10



# 11

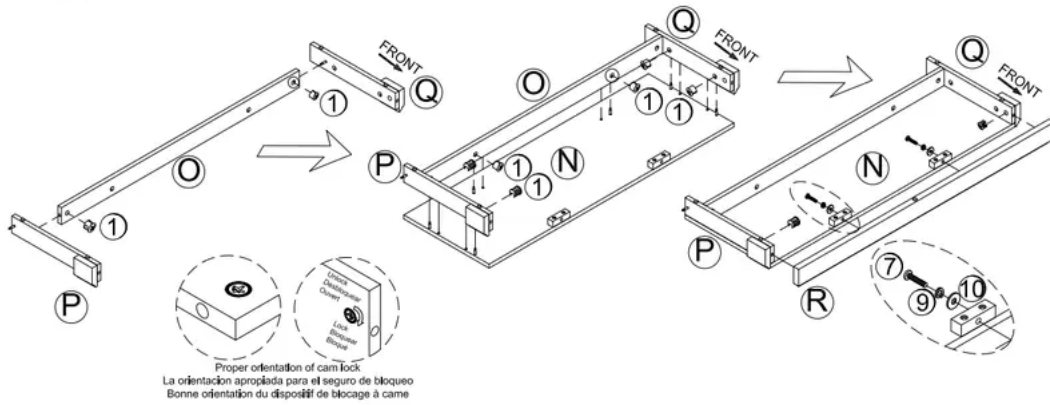







# 12



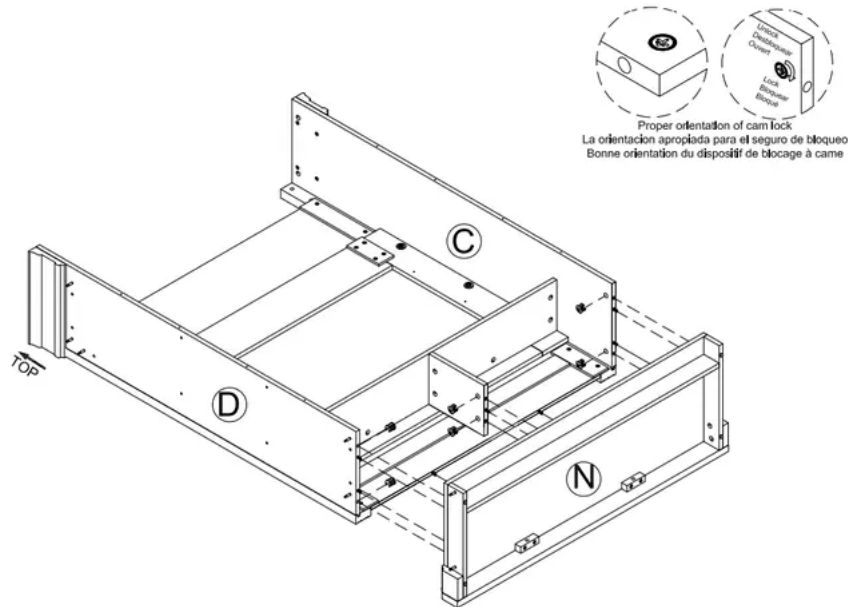
Proper orientation of cam lock  
La orientación apropiada para el seguro de bloqueo  
Bonne orientation du dispositif de blocage à came


# 13



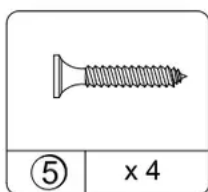
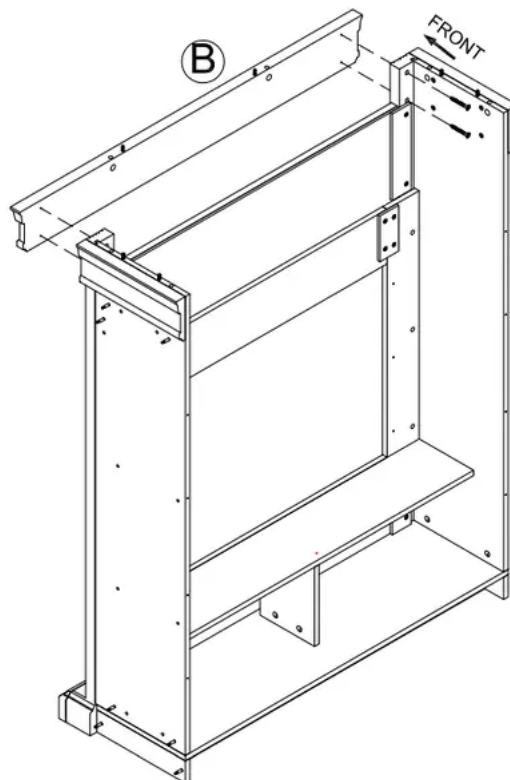
				
① x 10	⑦ x 2	⑨ x 2	⑩ x 2	⑪

# 14

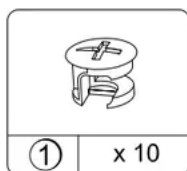
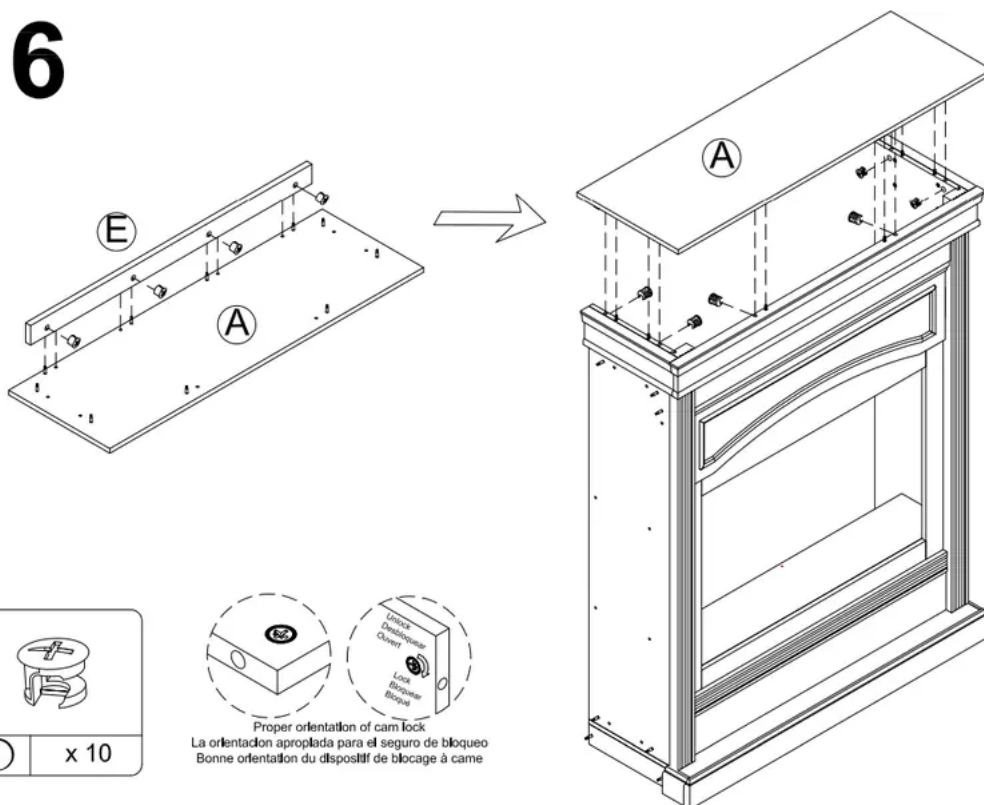


	x 6
①	x 6

# 15



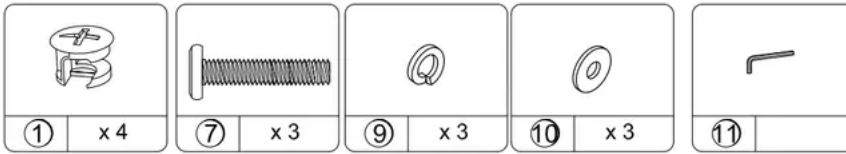
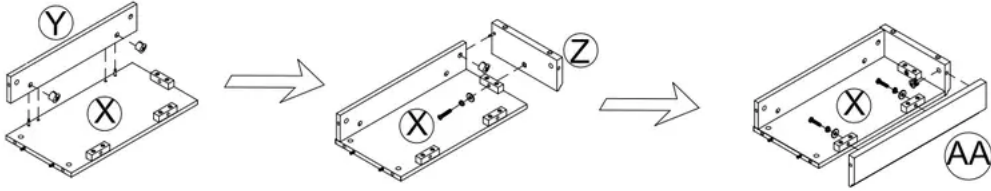
# 16



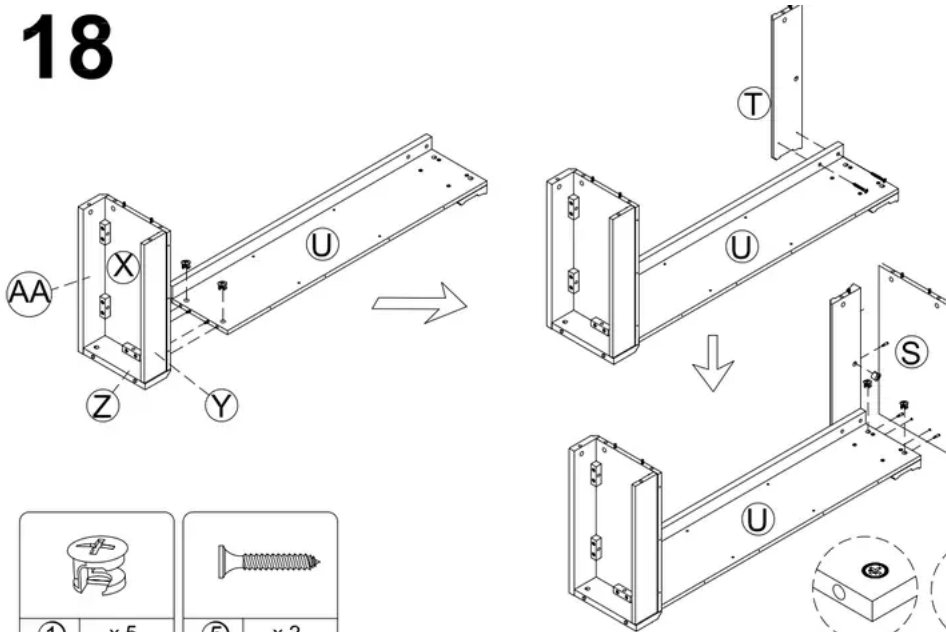
# 17



Proper orientation of cam lock  
La orientación apropiada para el seguro de bloqueo  
Bonne orientation du dispositif de blocage à came



# 18



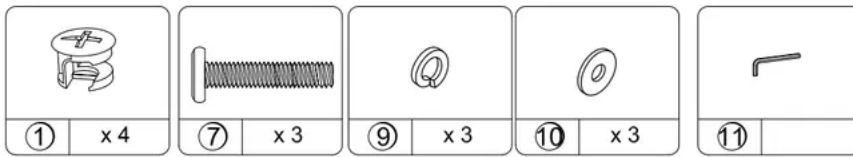
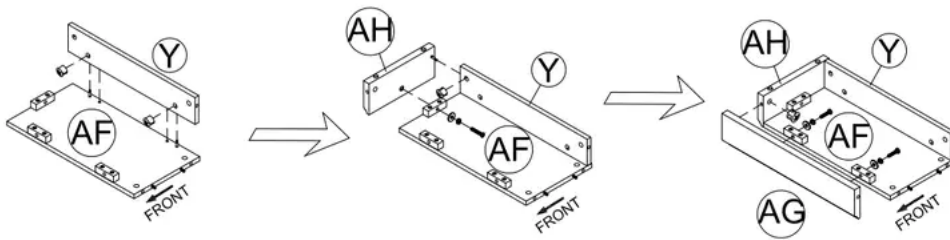
Proper orientation of cam lock  
La orientación apropiada para el seguro de bloqueo  
Bonne orientation du dispositif de blocage à came



# 19



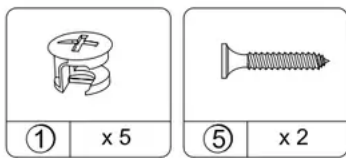
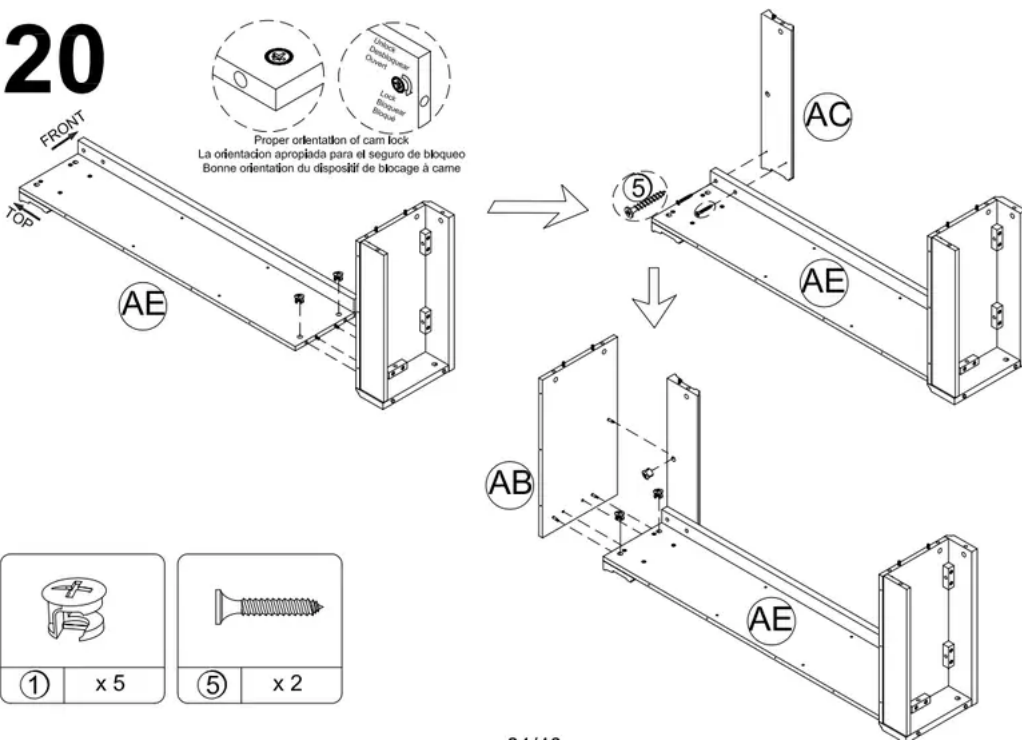
Proper orientation of cam lock  
 La orientación apropiada para el seguro de bloqueo  
 Bonne orientation du dispositif de blocage à came



# 20

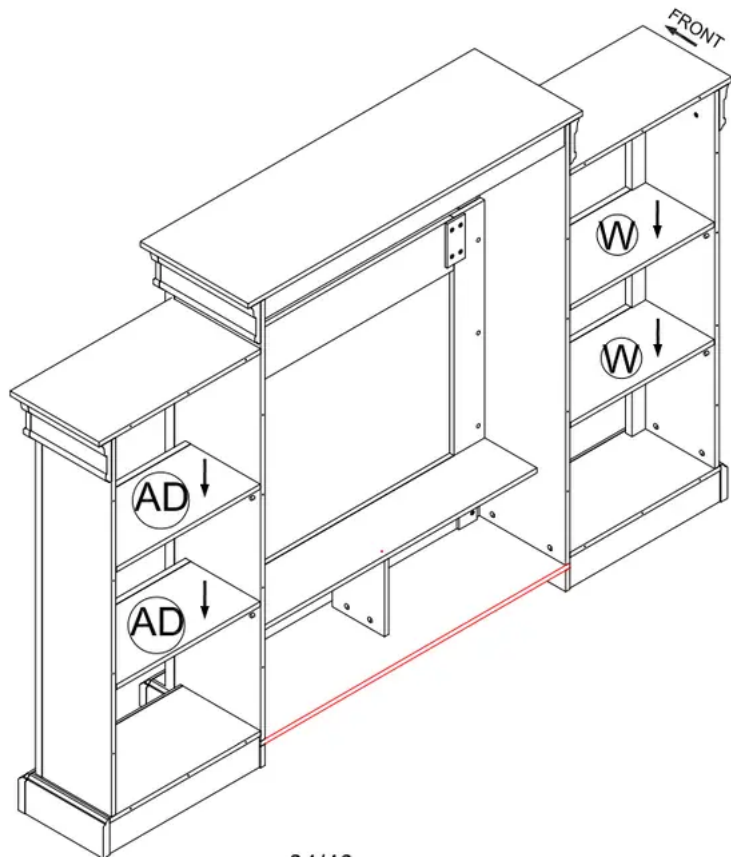


Proper orientation of cam lock  
 La orientación apropiada para el seguro de bloqueo  
 Bonne orientation du dispositif de blocage à came

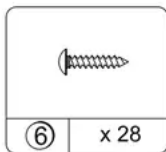
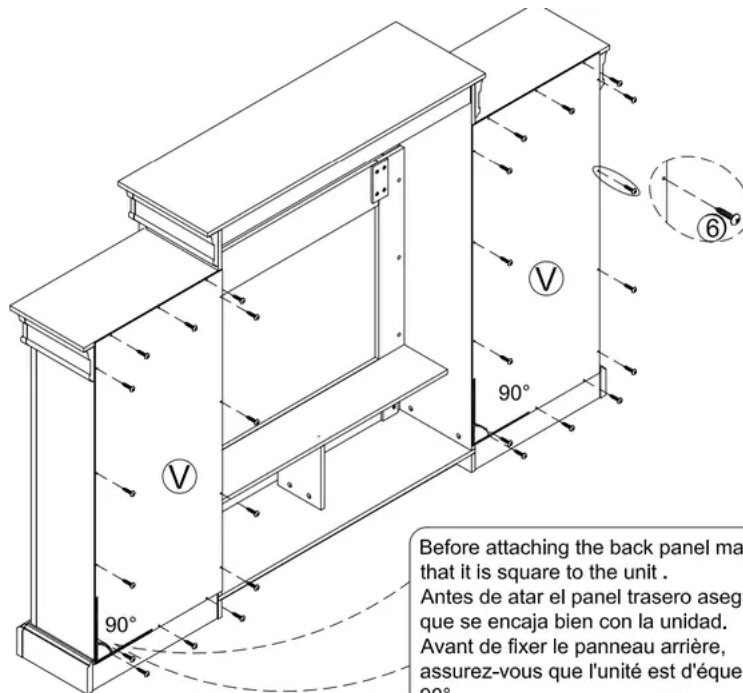




# 23

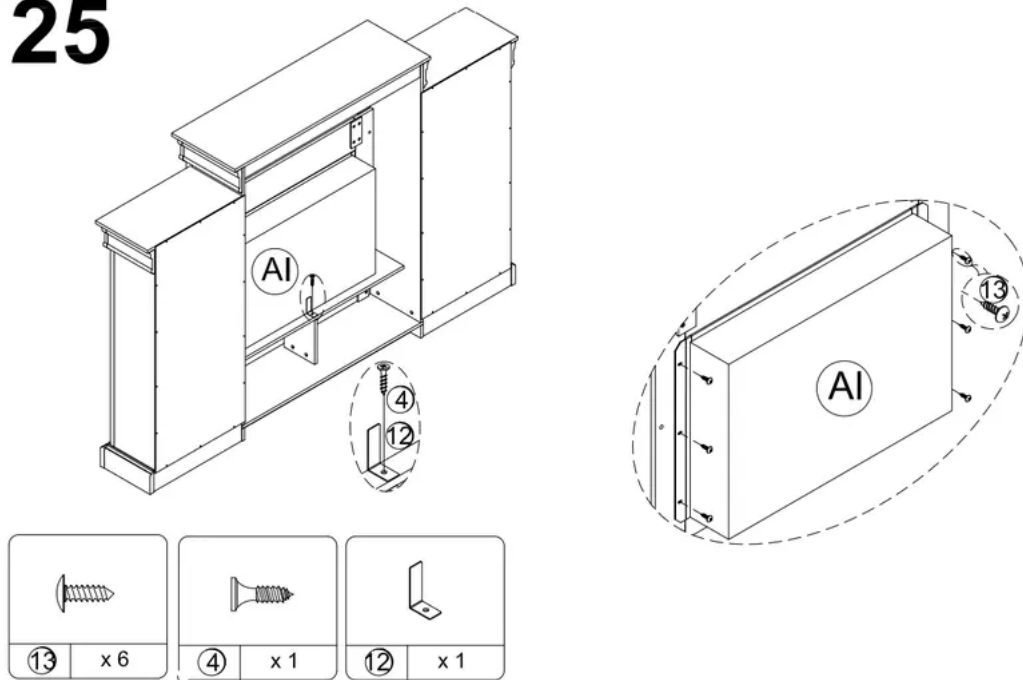


# 24



Before attaching the back panel make sure that it is square to the unit .  
Antes de atar el panel trasero asegúrese de que se encaja bien con la unidad.  
Avant de fixer le panneau arrière, assurez-vous que l'unité est d'équerre à 90°.

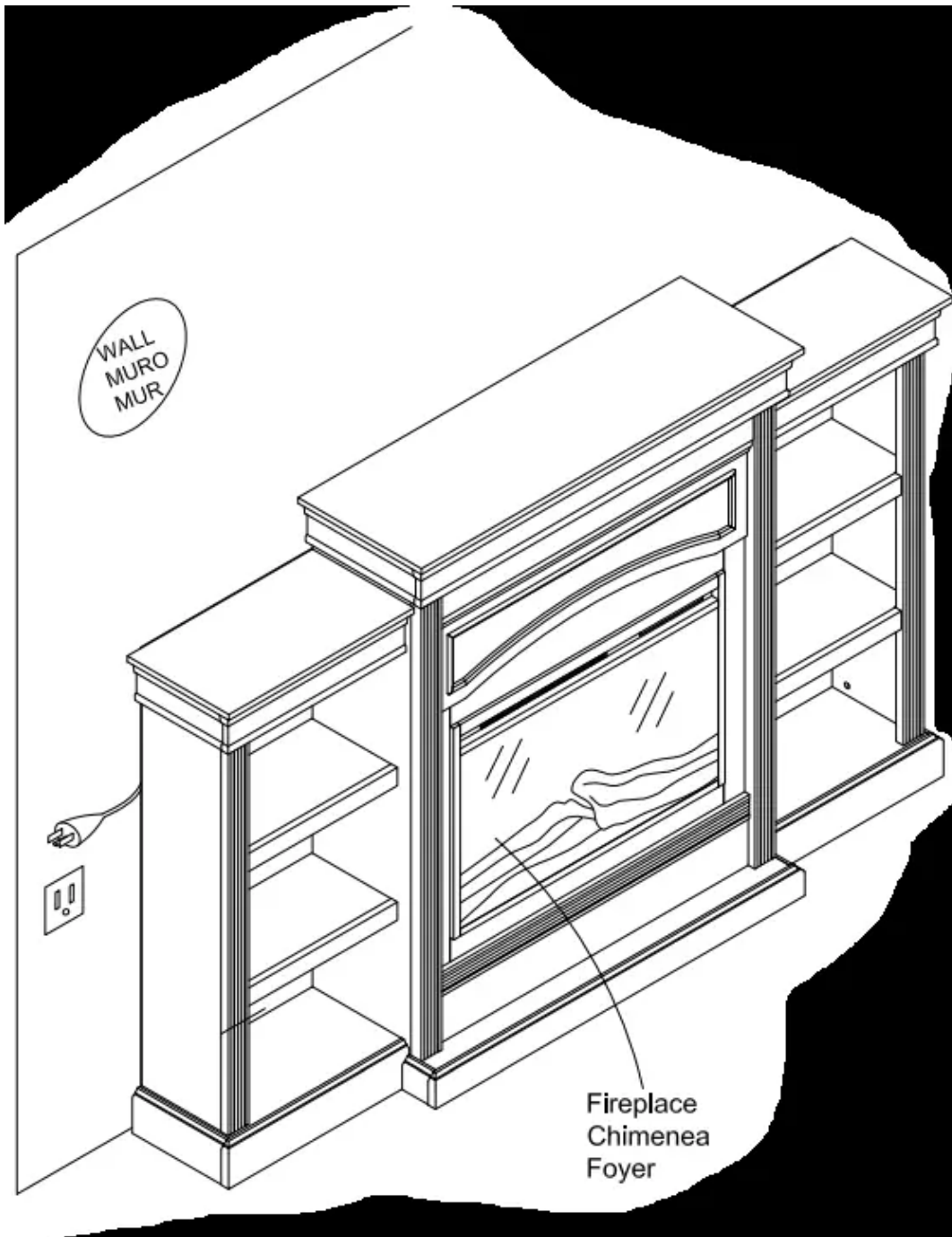
# 25



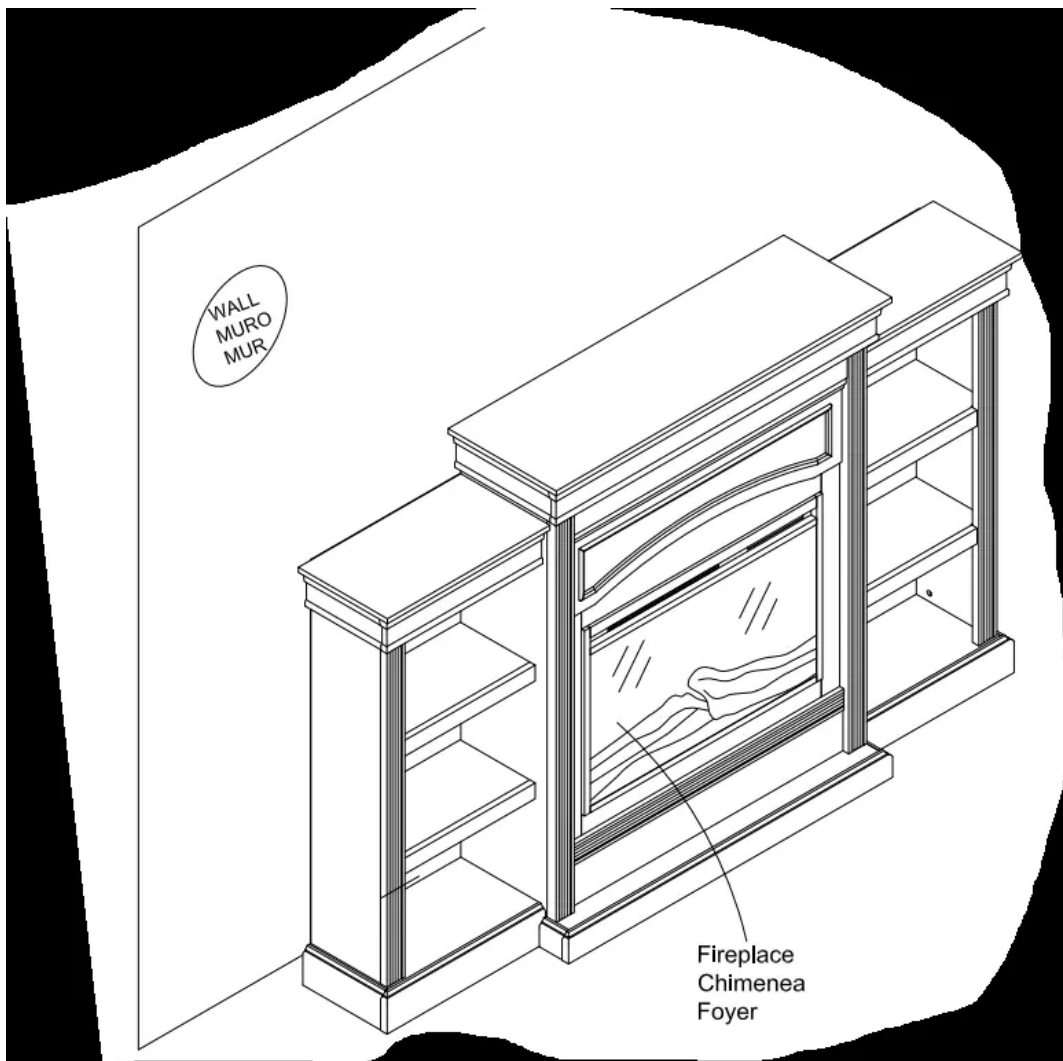
26. Before connecting the unit to a wall electric outlet.

Please carefully read and follow instructions and safety warnings in “Fireplace Homeowners Operating Manual” to operate your fireplace.

**WARNING:** IF THE INFORMATION IN THE FIREPALCE OPERATING MANUAL IS NOT FOLLOWED. AN ELECTRIC SHOCK OR FIRE MAY RESULT IN PROPERTY DAMAGE. PERSONAL INJURY, OR LOSS OF LIFE .

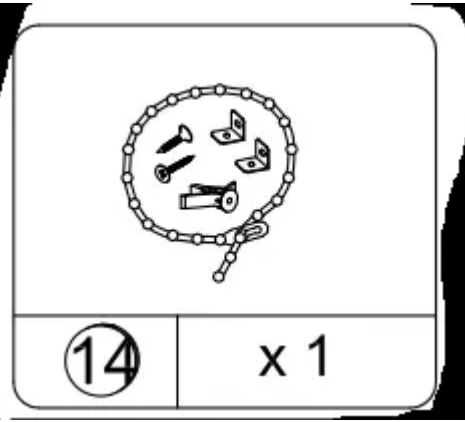
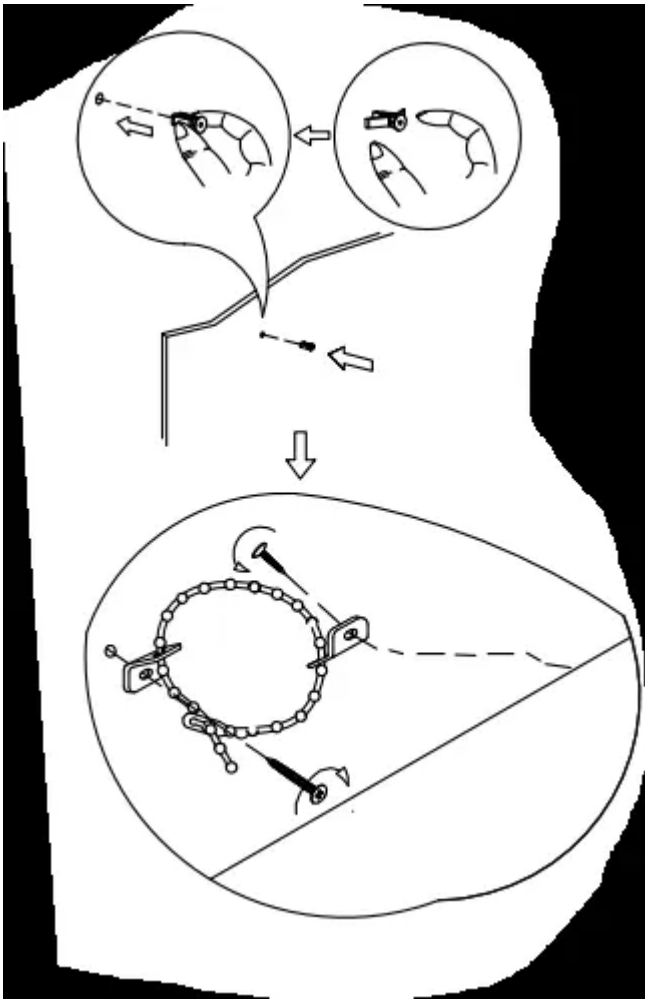


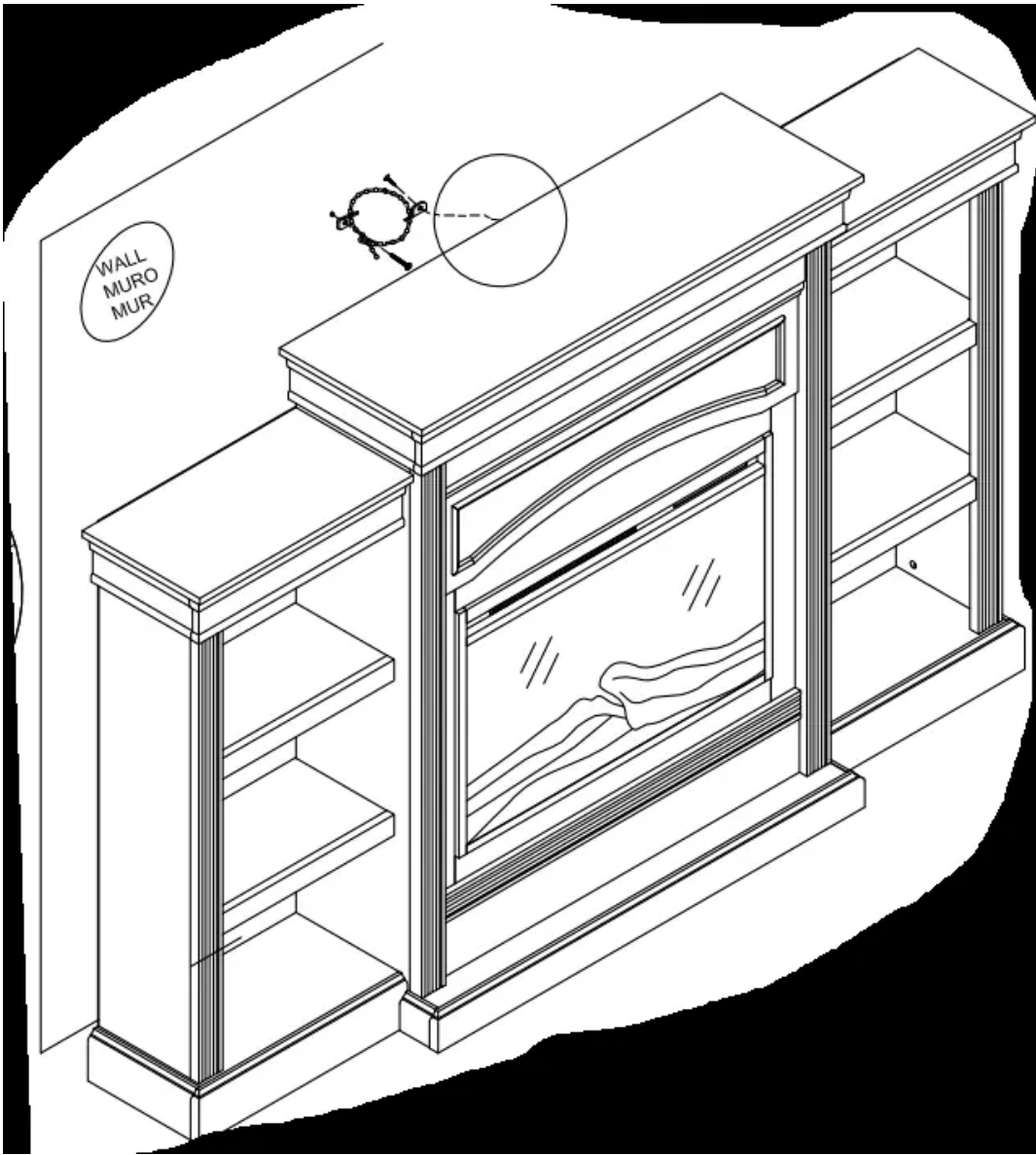
**27. WARNING:** Risk of death or serious injury. This unit must be placed against a fixed in place wall at least as tall as television.

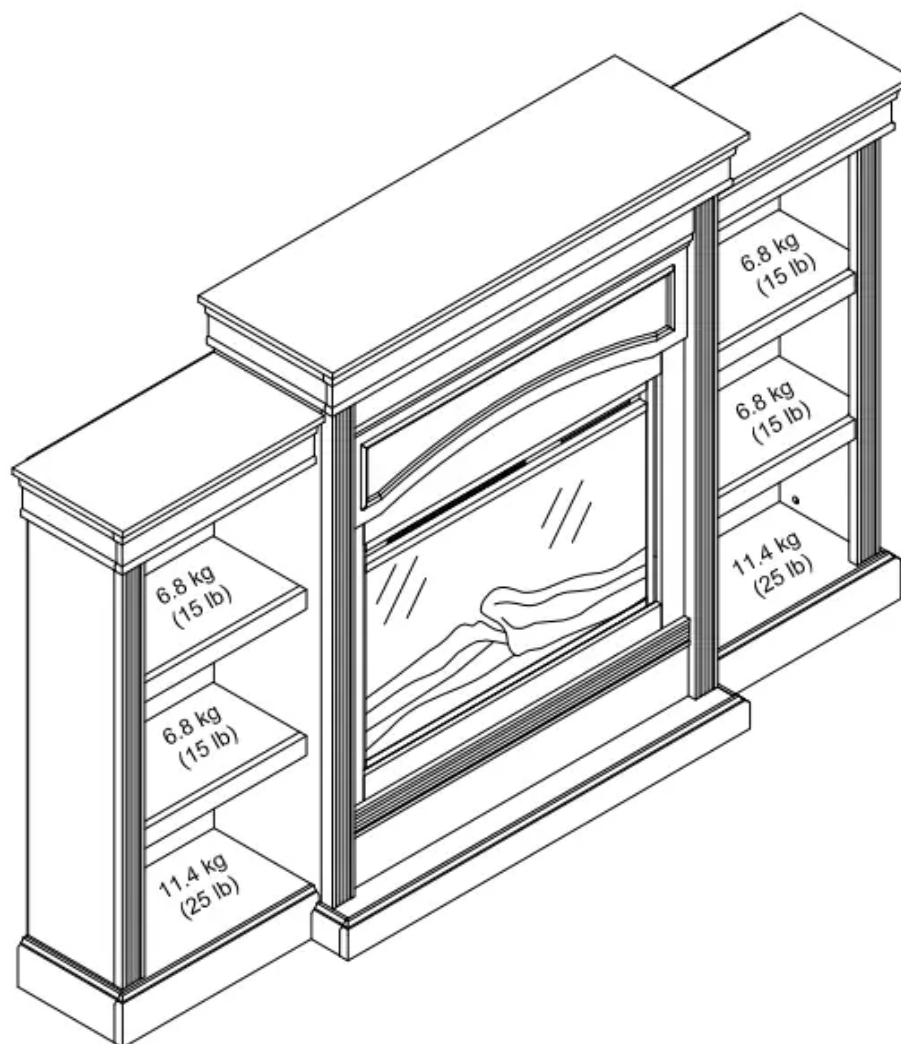


28. Drill a 10 mm diameter hole (3/8") in the wallboard. Tap the wall anchor into the hole until it is flush. Using screw to attach the steel bracket to the wallboard. Using screw to attach the steel bracket to the top shelf back. Move the furniture to its final position.

Thread the strap through the bracket as shown In the Illustration. tighten strap until snug. Dot not over tighten.







This unit has been designed to support the maximum loads shown. Exceeding these load limits could cause sagging, instability, product collapse, and/or serious injury.

**WARNING:** Please make sure that all objects are removed before moving the assembled unit. The unit must be team lifted, not dragged or pushed. Failure to do so could cause instability, product collapse, and/or serious injury.

#### **Warning**

This content is compiled from multiple sources and is provided for reference purposes only. It may not be complete or fully applicable to all situations. If you are unable to resolve your issue, please contact the product manufacturer or an authorized service provider for official support.