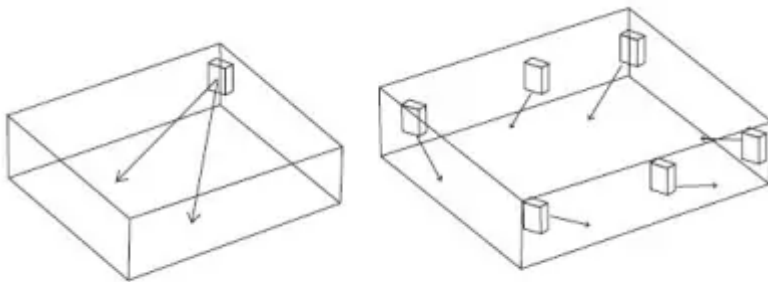
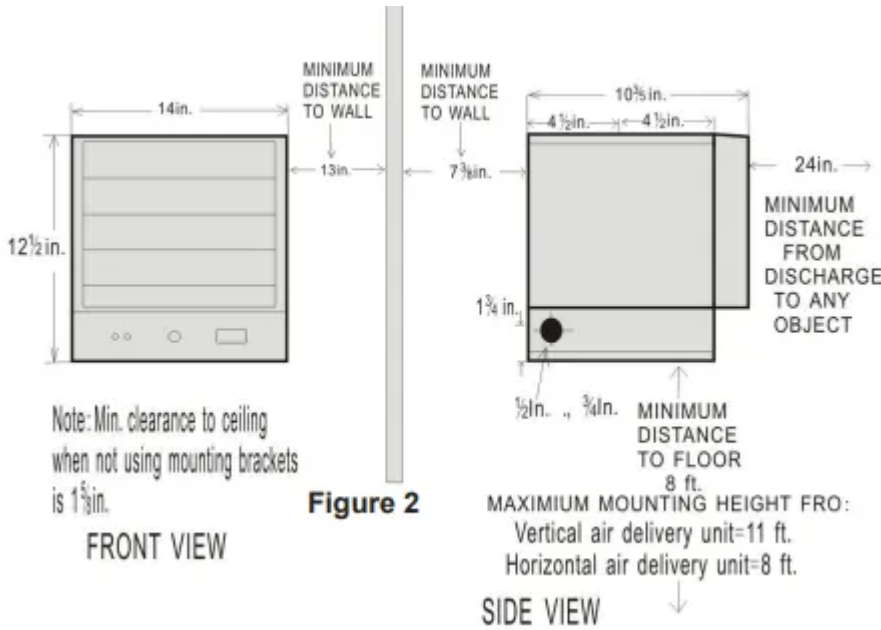
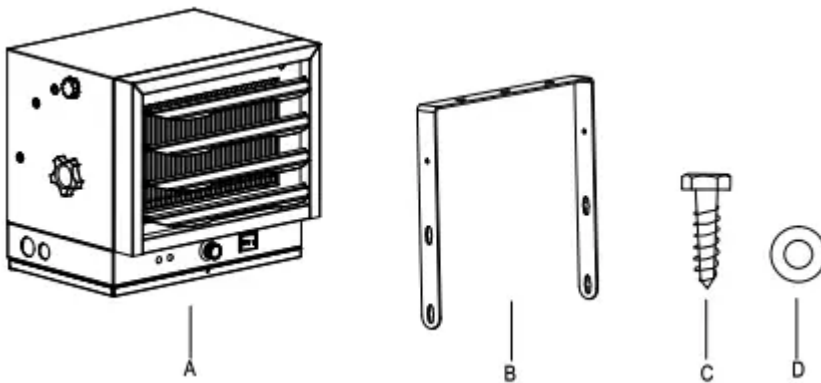


LOCATING HEATER

Install heater away from traffic areas, maintaining clearances stated in figure 2 (below). The air flow direction should not be restricted (ie. by columns or machinery). The air flow should wipe exposed walls rather than blowing directly on them. When more than one heater is used in an area, heaters should be installed so that the air discharge of each heater supports the air flow of the others, to provide best warm air circulation as shown in figure 3.



PRE-INSTALLATION



Part	Description	Quantity
A	Garage Heater	1
B	Mounting Bracket	1
C	Screw	3
D	Washer	6

INSTALLATION

MOUNTING THE BRACKET

Refer to Figures 4a and 4b.

1. Locate a wood stud in the wood ceiling joist/side wall. For ceiling only, if you cannot locate a wood stud, you have to install a wood piece on the ceiling as this heater must be securely fastened.
2. Remove the mounting bracket from the heating unit by loosening bracket screws with a wrench and slipping the handle off over the screw heads.
3. Place a washer on screws before inserting through the holes in the mounting bracket and screw them securely into a ceiling joist or wall stud.

NOTE: If you want to swivel the heater either to the right or left adding a washer to both sides of the bracket is recommended. A longer lag bolt may be required to properly secure the unit. See Figure 4a.

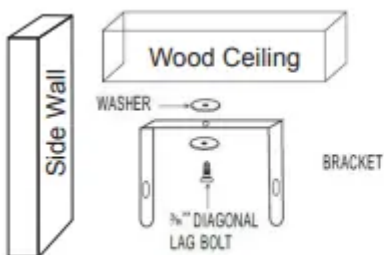


Figure 4a. Single-Screw Mounting

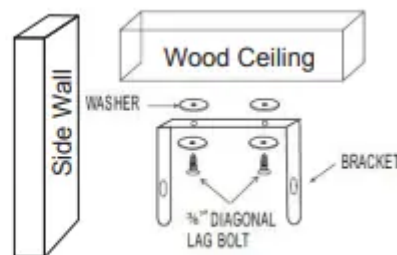
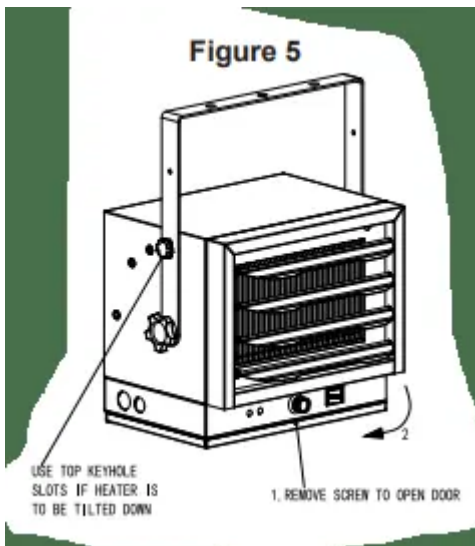


Figure 4b. Double-Screw Mounting

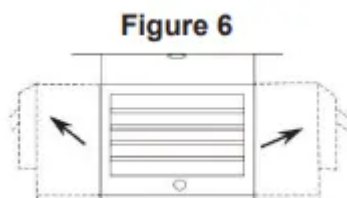
HANGING THE HEATER

1. Attach the heating unit to the mounting bracket.
2. Lift the heater up and into the mounting bracket.
3. Align the bracket screws with the keyhole slots in the mounting bracket.
4. If the heater is to be tilted it must be positioned in the keyhole slots - see figure 5.
5. Tighten the bracket screws with a wrench so the unit is securely suspended at horizontal or vertical level.

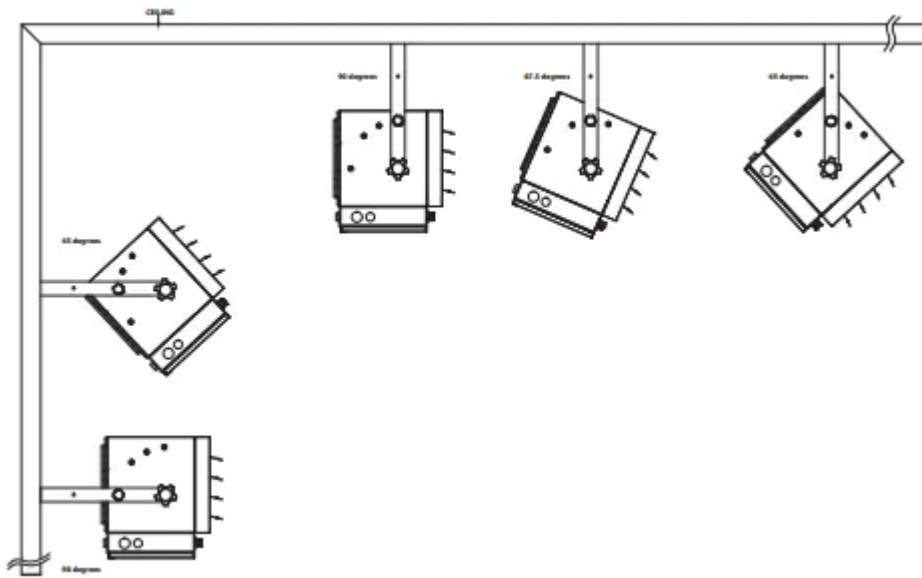


ADJUSTING AIR FLOW DIRECTION

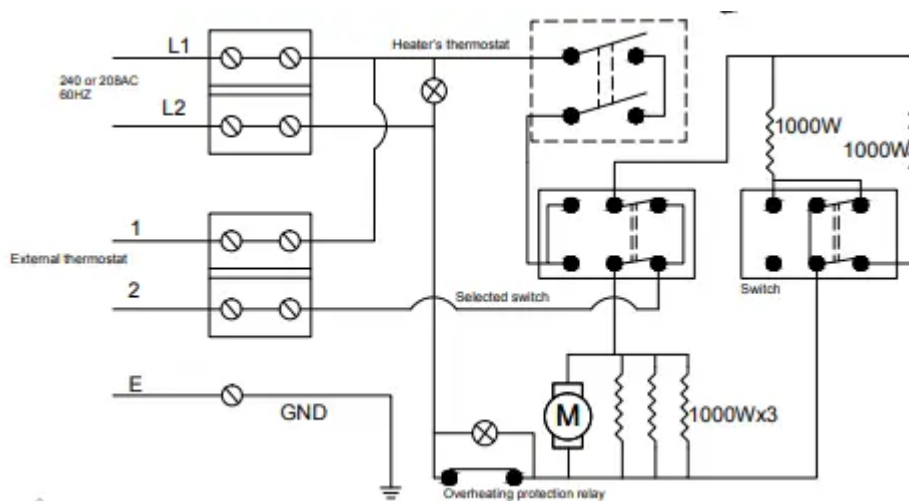
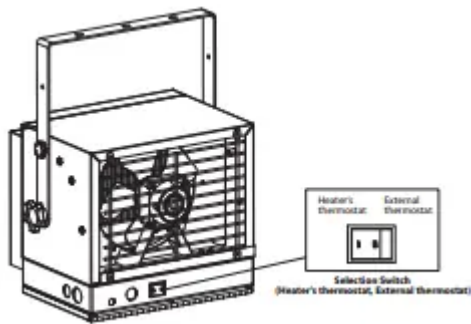
1. To turn the unit when it has been installed with a single lag bolt (as shown in figure 4a), simply turn the entire heater as needed. The unit cannot be turned horizontally if it has been installed with 2 lag bolts.
2. To tilt the unit vertically, loosen the bracket screws (see figure 5). NOTE: For the heater to be tilted vertically, it must be mounted in bottom keyhole slots of mounting brackets to maintain adequate clearance and prevent possible overheating.
3. Adjust louvers to the desired position (see Figure 6). NOTE: The louvers are designed so they cannot be completely closed. Do not attempt to bypass this feature; damage to the unit can result.



MULTIPLE VERTICAL ANGLES

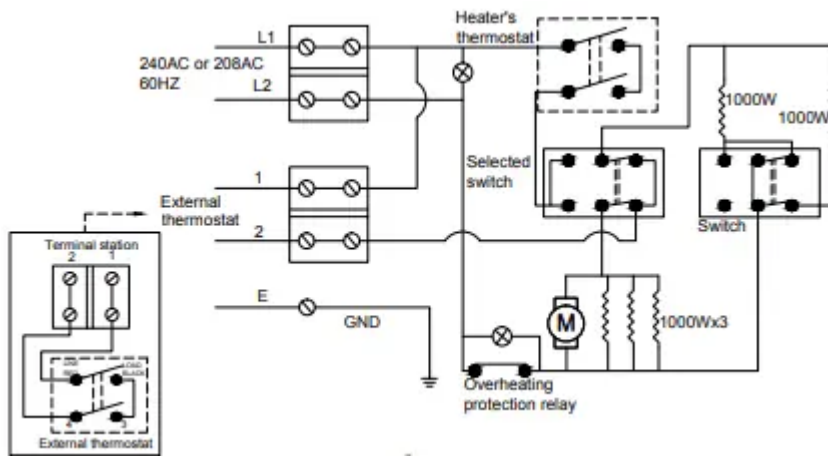


CONNECTING THE POWER



If you will use an external temperature control (external thermostat) to control the heater to be operated or not, please follow below attention points:

1. Make sure that the heater's temperature control knob (thermostat knob) is turned fully clockwise.
2. Connect the wire according to below wiring diagram.



3. The external temperature control (external thermostat) should be in accordance with the requirement of UL or CSA standard.

4. The lead wire of external temperature control (external thermostat) can not be less than 14AWG.

TO PROTECT THE HEATING ELEMENT

When starting the heater, turning the temperature control clockwise slowly to terminal, the unit starts the fan first then starts the heating element.

When shutting off the heater, turning the temperature control counter-clockwise to off, the heating element first will turn off then the fan will run a short cooling cycle and then turn off.

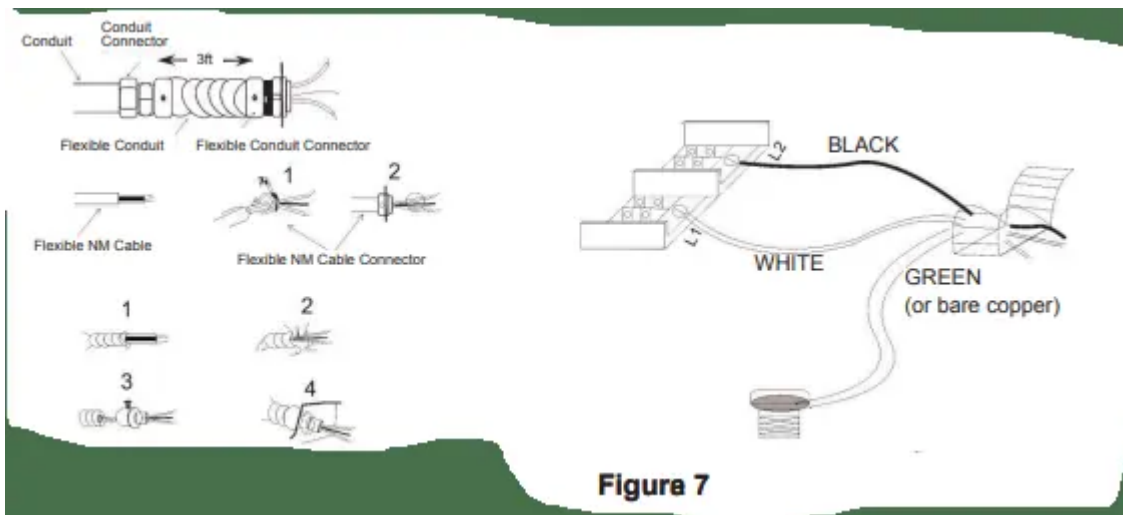
1. Remove the screw from the front of the unit to connect the power to the heater.
2. Attach the cable connectors to the unit (See Figure 7) and slide the 10-gauge wire through the cable connector.

NOTE: All wiring must be carried out by a Certified Electrician and must be in accordance to national and local electrical codes. For certain applications, conduit may be required, See Figure 7. Check local electrical codes. If you run the wiring in conduit and wish to be able to turn the heater be sure to purchase enough flexible conduit to allow the heater to be turned.

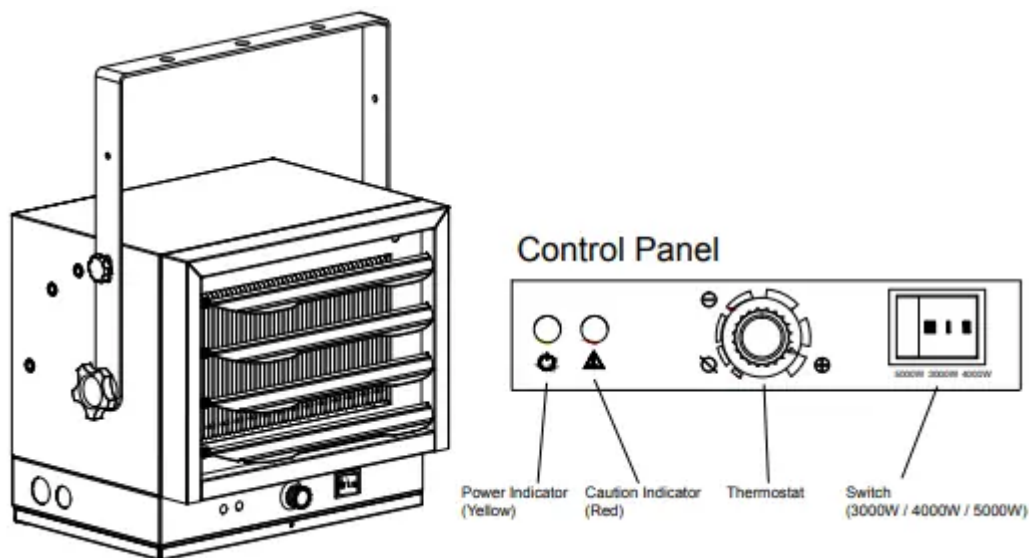
3. Connect the wire to the power block located in the base of the heater - See Figure 7.
4. Turn on the power at the main service.

CONNECTING THE POWER





OPERATING INSTRUCTIONS



Check that the garage heaters outlet grill is not covered or obstructed in anyway, and make sure the power to the unit is switched on.

SETTING THE THERMOSTAT

1. Rotate thermostat knob clockwise to desired position, POWER INDICATOR will turn yellow.
2. After room reaches desired comfort level the heater will turn off. Heater will cycle on and off to maintain room temperature.

SELECTION SWITCH

Using the SELECTION SWITCH, you can control the heating output: I for 3000W, II for 4000W, III for 5000W.

THERMAL CUT-OUT

The heater will automatically shut off when parts of it overheat. The heater will turn ON again when the abnormal temperature returns to normal levels. Should the unit overheat and cause the thermal cut-out to cycle, the cause of the overheating must be determined and corrective action taken before further operation.

ADJUSTING AIR FLOW DIRECTION

1. To turn the unit when it has been installed with a single lag bolt (as shown in figure 4a), simply turn the entire heater as needed. The unit cannot be turned horizontally if it has been installed with 2 lag bolts.
2. To tilt the unit vertically, loosen the bracket screws (see Figure 5).

MAINTENANCE

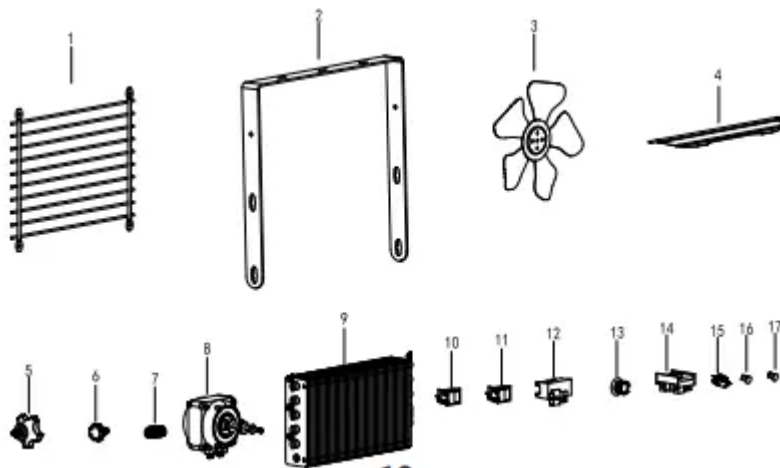
1. Before cleaning, make sure the power has been turned off at the circuit breaker panel and that the heating element of the heater is cool.
2. To maintain the external appearance of the heater, the unit occasionally needs to be wiped with a dry duster. During the summer months, or at other times when the appliance is not in use and is completely cold, it should be the wiped over with a damp cloth.
3. Do not use abrasive clearing powders or furniture polish. Do not use chemical or abrasive products, metallic scourers and so on, which may deteriorate the surface, to clean the appliance.
4. During the summer months, or at other times when the appliance is not in use, disconnect the power supply. Keep the appliance in a dry and cool place.
5. All other servicing should be performed by qualified service personnel. Do not try to repair the heater yourself.

NOTE: The motor is permanently lubricated, and no further lubrication is needed.

REPLACEMENT PARTS

Part	Description	Part#
1	Back mesh	EG5000001AC
2	Hanging plate	EG5000002AC
3	Fan Blade	EG5000003AC
4	Air guide plate	EG5000004AC
5	Large handle seat	EG5000005AC
6	Small handle seat	EG5000006AC
7	Spring	EG5000007AC
8	Motor	EG5000008AC-DGC

Part	Description	Part#
9	Heater	EG5000009AC
10	Switch	EG5000010AC
11	Selection Switch	EG5000011AC
12	Thermostat	EG5000012AC
13	Knob	EG5000013AC
14	Terminal block	EG5000014AC-DGC
15	Temperature CUT-OFF	EG5000017AC
16	Caution Indicator (Red)	EG5000018AC
17	Power Indicator (Yellow)	EG5000019AC



TROUBLESHOOTING

Unit is not heating.

- The overheat protection has activated.

Inspect the garage heater and check that the air inlets and outlets are not blocked as this may cause overheating. Switch off the circuit breaker to the garage heater for 30 minutes and allow it to cool down. Turn the power back on and operate.

- The breaker has tripped

Reset the breaker at the fuse panel and restart the heater

- The room temperature has already reached the set thermostat temperature

Adjust the temperature setting to make sure the thermostat setting temperature is higher than current room temperature.

Garage heater emits a burning smell

- During production dust and/ or oil debris gathered on heating coils.

Make sure the room is well ventilated. Allow the garage heater to run until the smell is dissipated.

- Check and make sure there is no combustible material within 0.9 meters (3 feet) of the garage heater.

Remove the combustible material around the garage heater.

- This heater must be mounted at least 8 feet off the floor, for specific clearances, please check the "LOCATING HEATER" section in the instruction manual

Relocate the garage heater so there is enough space between the heater and adjacent wall and floor.

Warning

This content is compiled from multiple sources and is provided for reference purposes only. It may not be complete or fully applicable to all situations. If you are unable to resolve your issue, please contact the product manufacturer or an authorized service provider for official support.